

KM 7730 FR

30" Induction Cooktop with Frame

Features:

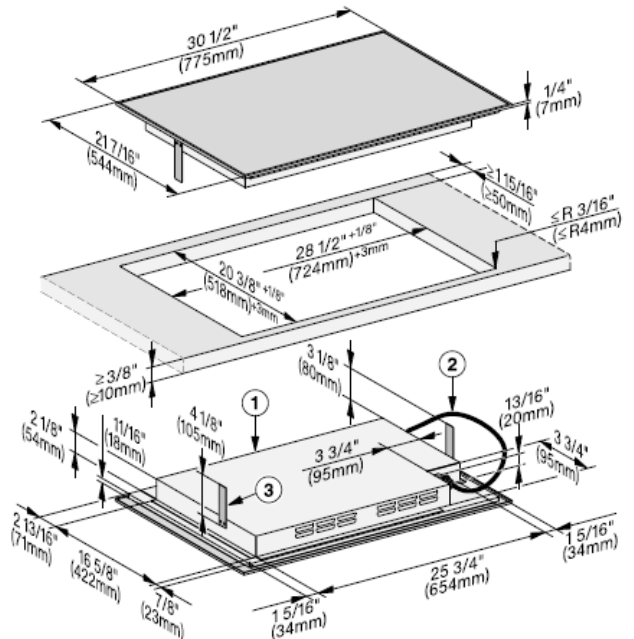
- SmartSelect controls with yellow display
- Boost function up to 3700W
- 4 powerful cooking zones
- Stainless Steel Frame for surface mounting



MATERIAL

12074200

SPECIFICATIONS	
Overall Unit Dimensions	30 1/2" (775 mm) W x 3 1/8" (78 mm) H x 21 1/2" (544 mm) D
Electrical	
Electrical Requirements	240V, 60Hz, 40 Amps, 7.7 kW 208V, 60Hz, 40 Amps, 6.7 kW
Power Cord (Hard Wired)	3' 1 1/4" (1.2 m)
Shipping	
Shipping Weight	44 lbs (20 kg)
Shipping Dimensions	30 1/4" (768mm) W x 46 3/4" (1188mm) H x 5 7/8" (148mm) D



- ① Front
- ② Flexible metal hose with power cords, L = 4' (1,200 mm)
- ③ Spacer plate (only necessary if a protective base is installed)

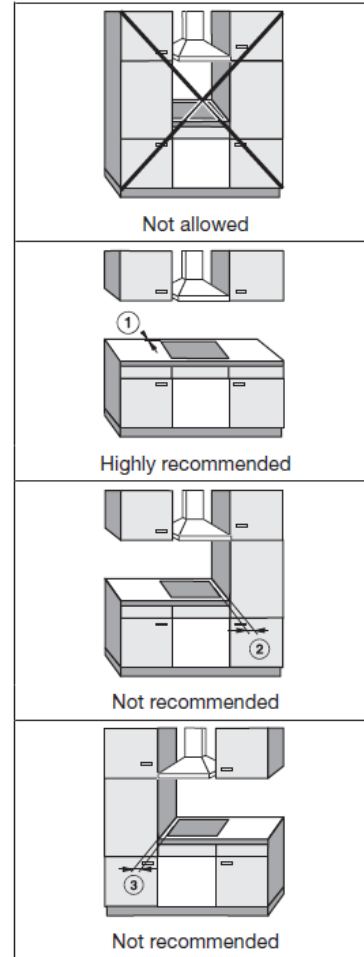
Safety clearances to the sides and back of the cooktop

Ideally the cooktop should be installed with plenty of space on either side. The minimum distance (1) shown below must be maintained between the back of the cooktop and a tall unit or wall. The minimum distance (2), (3) shown below must be maintained between a tall unit or a wall to the left or right of the cooktop with a minimum distance of 11 3/4" (300 mm) on the opposite side.

(1) minimum distance between the back of the counter cut-out and the rear edge of the counter:
2" (50 mm)

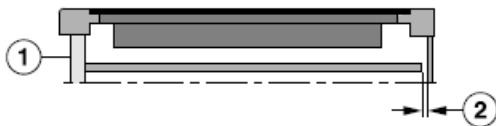
(2) minimum distance to the right of the counter cut-out to the closest adjacent piece of cabinetry (for instance, a high cabinet) or a room wall:
2" (50 mm)

(3) minimum distance to the left of the counter cut-out to the closest adjacent piece of cabinetry (for instance, a high cabinet) or a room wall: 2" (50 mm)



Protective base

Installation of a protective base under the cooktop is allowed but not required.



Side view

① Front

② Rear air gap

Leave a air gap ② of 3" (75 mm) at the back between the cabinet and the intermediate shelf to accommodate the power supply cord.

The minimum safety distance between the underside of the cooktop and	KM 7720 FR, KM 7740 FR	KM 7730 FR
the top edge of a drawer	≥ 3/16" (5 mm)	
the base of a drawer	≥ 3" (75 mm)	
the top edge of an oven	≥ 9/16" (15 mm)	
the top edge of an intermediate shelf	≥ 9/16" (15 mm)	≥ 3 3/4" (95 mm)