

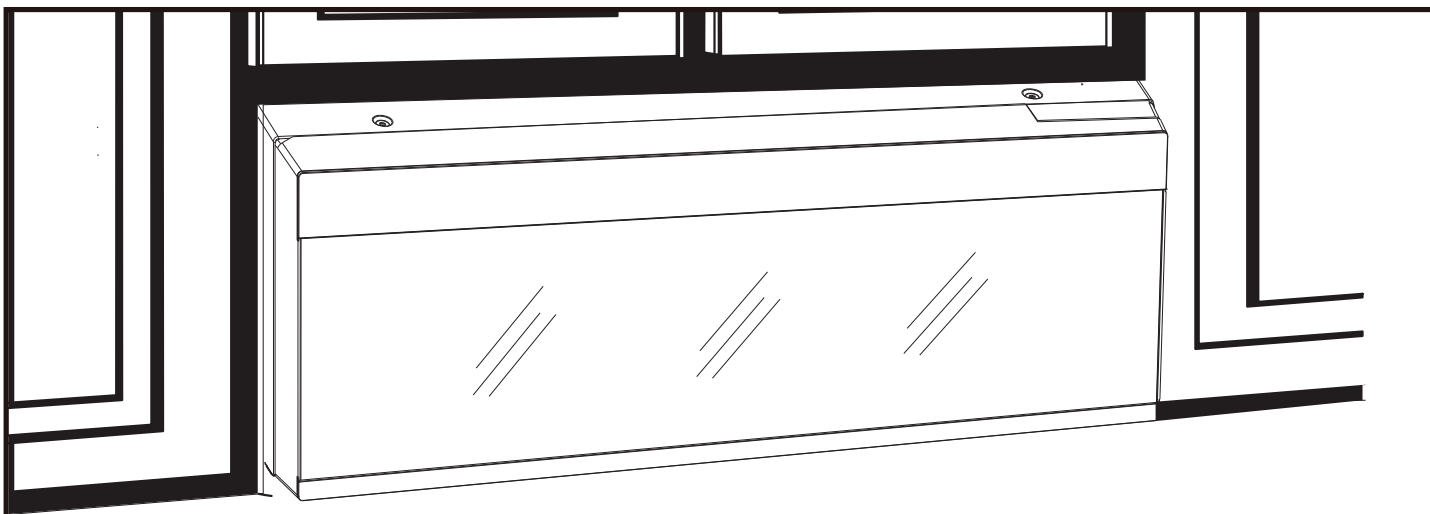
Installation Instructions

Over the Range Microwave Oven

BEFORE YOU BEGIN

Read these instructions completely and carefully.

- **IMPORTANT** — Save these instructions for local inspector's use.
- **IMPORTANT** — Observe all governing codes and ordinances.
- **Note to Installer** — Be sure to leave these instructions with the Consumer.
- **Note to Consumer** — Keep these instructions for future reference.
- **Skill level** — Installation of this appliance requires basic mechanical and electrical skills.
- Proper installation is the responsibility of the installer.
- Product failure due to improper installation is not covered under the Warranty.



**READ CAREFULLY.
KEEP THESE INSTRUCTIONS.**

Installation Instructions

! This is the safety alert symbol. This symbol alerts you to potential hazards that can kill or hurt you and others. All safety messages will follow the safety alert symbol and the word “DANGER”, “WARNING”, or “CAUTION”. These words are defined as:

! DANGER

Indicates a hazardous situation which, if not avoided, will result in death or serious injury.

! WARNING

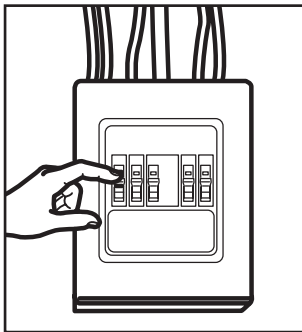
Indicates a hazardous situation which, if not avoided, could result in death or serious injury.

! CAUTION

Indicates a hazardous situation which, if not avoided, could result in minor or moderate injury.

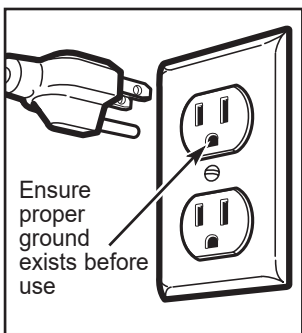
IMPORTANT SAFETY INSTRUCTIONS

A qualified electrician must perform a ground continuity check on the wall receptacle before beginning the installation to ensure that the outlet box is properly grounded. If not properly grounded, or if the wall receptacle does not meet electrical requirements noted (under ELECTRICAL REQUIREMENTS), a qualified electrician should be employed to correct any deficiencies.



! WARNING

Risk of Electric Shock. Can cause injury or death: Remove house fuse or open circuit breaker before beginning installation to avoid severe or fatal shock injury.



Ensure proper ground exists before use

! WARNING

Risk of Electric Shock. Can cause injury or death: THIS APPLIANCE MUST BE PROPERLY GROUNDED to avoid severe or fatal shock.

The power cord of this appliance is equipped with a three-prong (grounding) plug which mates with a standard three-prong (grounding) wall receptacle to minimize the possibility of electric shock hazard from this appliance.

Where a standard two-prong wall receptacle is encountered, it must be replaced with a properly grounded three-prong wall receptacle, installed by a qualified electrician.

RISK OF ELECTRIC SHOCK

! WARNING Can cause injury or death: **DO NOT**, under any circumstances, cut, deform or remove any of the prongs from the power cord. Do not use with an extension cord. Failure to comply may cause fire.

ELECTRICAL REQUIREMENTS

Product rating is 120 volts AC, 60 Hertz, 15 amps and 1.6 kilowatts. This product must be connected to a supply circuit of the proper voltage and frequency. Wire size must conform to the requirements of the National Electrical Code or the prevailing local code for this kilowatt rating. The power supply cord and plug should be brought to a separate 15- to 20-ampere branch circuit single grounded outlet. The outlet box should be located in the cabinet above the microwave oven. The outlet box and supply circuit should be installed by a qualified electrician and conform to the National Electrical Code or the prevailing local code.

FOR YOUR SAFETY:

! CAUTION For personal safety, the mounting surface must be capable of supporting the cabinet load, in addition to the added weight of the oven, plus additional oven loads.

! CAUTION For personal safety, this product cannot be installed in cabinet arrangements such as an island or a peninsula. It must be mounted to BOTH a top cabinet AND a wall.

! CAUTION To avoid the risk of personal injury (back injury or other injuries due to excessive weight of the microwave oven) or property damage, you will need two people to install this microwave oven.

Installation Instructions

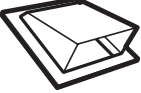


HOOD EXHAUST

NOTE: Read these next two pages only if you plan to vent your exhaust to the outside. If you plan to recirculate the air back into the room, proceed to page 11.

OUTSIDE TOP EXHAUST (EXAMPLE ONLY)

The following chart describes an example of one possible ductwork installation.

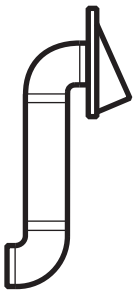





DUCT PIECES		EQUIVALENT LENGTH	x	NUMBER USED	=	LENGTH	
	Roof Cap	24 Ft.	x	(1)	=	24 Ft.	
	12 Ft. Straight Duct (6" Round)	12 Ft.	x	(1)	=	12 Ft.	
	Rectangular-to-Round Transition Adaptor*	5 Ft.	x	(1)	=	5 Ft.	
Equivalent lengths of duct pieces are based on actual tests and reflect requirements for good venting performance with any vent hood.						Total Length =	41 Ft.

* **IMPORTANT:** If a rectangular-to-round transition adaptor is used, the bottom corners of the damper will have to be cut to fit, using the tin snips, in order to allow free movement of the damper.

OUTSIDE BACK EXHAUST (EXAMPLE ONLY)

The following chart describes an example of one possible ductwork installation.



DUCT PIECES		EQUIVALENT LENGTH*	x	NUMBER USED	=	LENGTH	
	Wall Cap	40 Ft.	x	(1)	=	40 Ft.	
	3 Ft. Straight Duct (3¼" x 10" Rectangular)	3 Ft.	x	(1)	=	3 Ft.	
	90° Elbow	10 Ft.	x	(2)	=	20 Ft.	
Equivalent lengths of duct pieces are based on actual tests and reflect requirements for good venting performance with any vent hood.						Total Length =	63 Ft.

NOTE: For back exhaust, care should be taken to align exhaust with space between studs, or wall should be prepared at the time it is constructed by leaving enough space between the wall studs to accommodate exhaust.

Installation Instructions

NOTE: If you need to install ducts, note that the total duct length of 3¼" x 10" rectangular or 6" diameter round duct **should not exceed 140 equivalent feet.**

Outside ventilation requires a HOOD EXHAUST DUCT. Read the following carefully.

NOTE: It is important that venting be installed using the most direct route and with as few elbows as possible. This ensures clear venting of exhaust and helps prevent blockages. **Also, make sure dampers swing freely and nothing is blocking the ducts.**

Exhaust connection:





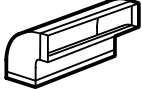
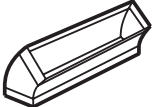


The hood exhaust has been designed to mate with a standard 3¼" x 10" rectangular duct.

If a round duct is required, a rectangular-to-round transition adaptor must be used. **Do not use less than a 6" diameter duct.**

Maximum duct length:

For satisfactory air movement, the total duct length of 3¼" x 10" rectangular or 6" diameter round duct **should not exceed 140 equivalent feet.**

Elbows, transitions, wall and roof caps, etc., present additional resistance to airflow and are equivalent to a section of straight duct which is longer than their actual physical size. When calculating the total duct length, add the equivalent lengths of all transitions and adaptors plus the length of all straight duct sections. The chart below shows you how to calculate total equivalent ductwork length using the approximate feet of equivalent length of some typical ducts.

DUCT PIECES	EQUIVALENT LENGTH	x	NUMBER USED	=	LENGTH
 Rectangular-to-Round Transition Adaptor*	5 Ft.	x	()	=	Ft.
 Wall Cap	40 Ft.	x	()	=	Ft.
 90° Elbow	10 Ft.	x	()	=	Ft.
 45° Elbow	5 Ft.	x	()	=	Ft.
 90° Elbow	25 Ft.	x	()	=	Ft.
 45° Elbow	5 Ft.	x	()	=	Ft.
 Roof Cap	24 Ft.	x	()	=	Ft.
 Straight Duct 6" Round or 3¼" x 10" Rectangular	1 Ft.	x	()	=	Ft.
Total Ductwork				=	Ft.



*** IMPORTANT:** If a rectangular-to-round transition adaptor is used, the bottom corners of the damper will have to be cut to fit, using the tin snips, in order to allow free movement of the damper.

Equivalent lengths of duct pieces are based on actual tests and reflect requirements for good venting performance with any vent hood.

Installation Instructions

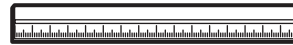
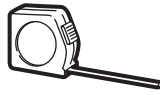
TOOLS YOU WILL NEED



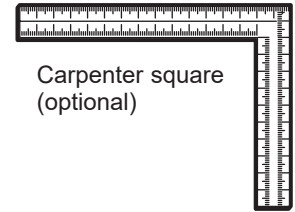
#1 and #2
Phillips
screwdriver



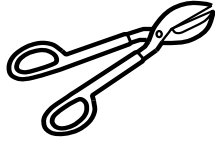
Pencil



Ruler or tape measure and
straight edge



Carpenter square
(optional)



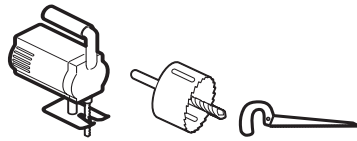
Tin snips (for cutting
damper, if required)



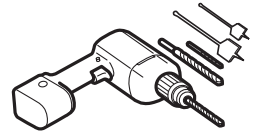
Scissors (to cut
template, if necessary)



Gloves



Saw (saber, hole or keyhole)



Electric drill with $\frac{3}{16}$ ", $\frac{7}{16}$ ",
 $\frac{1}{2}$ " and $\frac{5}{8}$ " drill bits



Filler blocks or scrap
wood pieces, if needed
for top cabinet spacing
(used on recessed
bottom cabinet
installations only)



Safety goggles



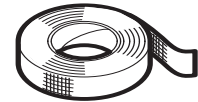
Level



Stud
finder

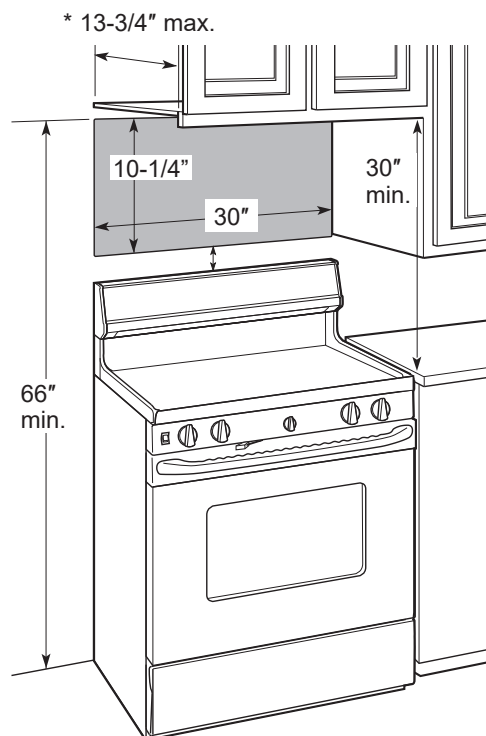


Hammer (optional)



Duct and masking
tape

MOUNTING SPACE



NOTES:

- The space between the cabinets must be 30" wide and free of obstructions.
- If you are going to vent your oven to the outside, see Hood Exhaust Section for exhaust duct preparation.
- When installing the oven beneath smooth, flat cabinets, be careful to follow the instructions on the top cabinet template for power cord clearance.
- *** If the cabinet depth, including cabinet doors, is more than the maximum dimension shown, then the oven must be spaced out from the wall using adequate materials supporting 150 lbs to allow proper top vent air exhaust/intake.**
- For models with top venting holes: Do not allow cabinetry or other objects to block the airflow of the vent.
- All other over-the-range microwaves should not be installed over any cooktop or range with a combined BTU greater than 63,000 BTU.


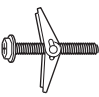


Installation Instructions - Straight Mounting Plate

DAMAGE-SHIPMENT / INSTALLATION

- If the unit is damaged in shipment, return the unit to the store in which it was bought for repair or replacement.
- If the unit is damaged by the customer, repair or replacement is the responsibility of the customer.
- If the unit is damaged by the installer (if other than the customer), repair or replacement must be made by arrangement between customer and installer.

PARTS INCLUDED

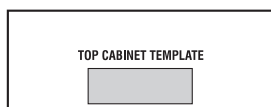
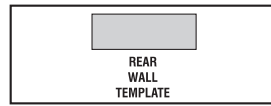

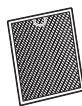
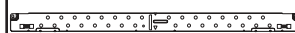
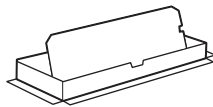


HARDWARE PACKET

Part	Quantity
 Wood screws (1/4" x 2")	2
 Toggle bolts (and wing nuts) (3/16" x 3")	2
 Self-aligning machine screws (1/4" - 28 x 3 1/4")	2
 Nylon Grommet (for metal cabinets)	1

You will find the installation hardware contained in a packet with the unit. Check to make sure you have all these parts.

NOTE: Some extra parts are included.

ADDITIONAL PARTS

Part	Quantity
 TOP CABINET TEMPLATE	1
 REAR WALL TEMPLATE	1
 INSTALLATION INSTRUCTIONS	1
	2
 Mounting Plate (for supporting the microwave Oven)	1
	1
	1
	1

Installation Instructions

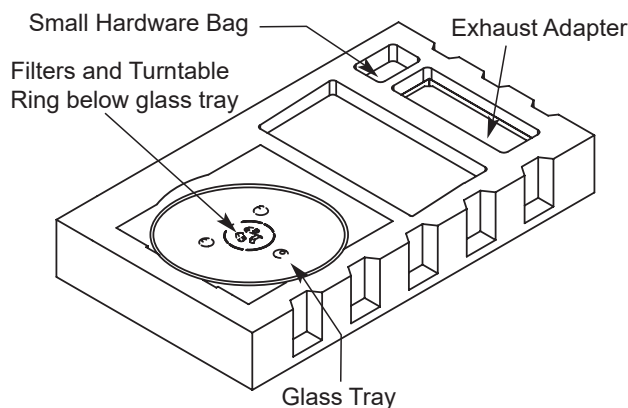
1. PLACEMENT OF THE MOUNTING PLATE

A. REMOVING THE MICROWAVE OVEN FROM THE CARTON

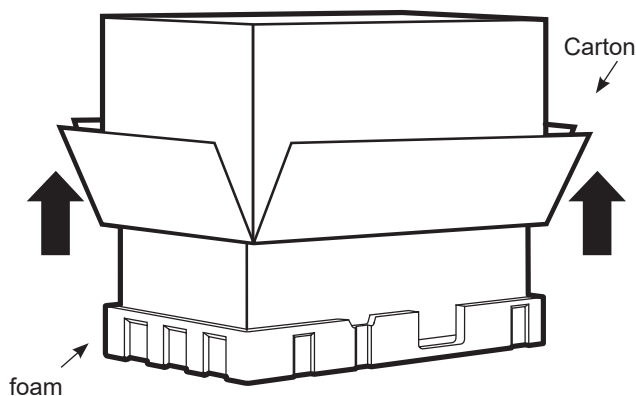
1. Remove the Installation Instructions, exhaust adapter, turntable ring, filters, glass tray, and the small hardware bag. Do not remove the foam protecting the top of the oven.

NOTE: Do Not Remove the plastic plug protective cover until just before hanging the oven.

Keep the oven at least 8 inches away from the countertop edge to prevent dropping due to the heavy door.



2. Fold back all 4 carton flaps fully against carton sides. Then carefully roll the oven and carton over onto the top side. The oven should be resting in the foam.



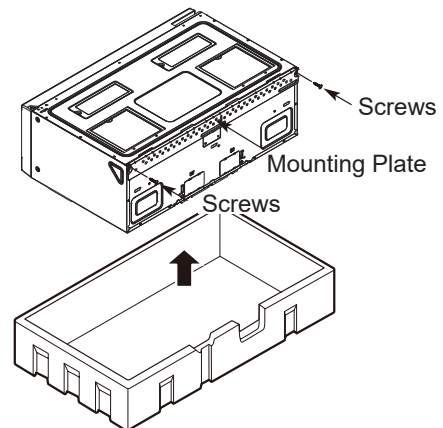
3. Pull the carton up and off the oven.

4. Set the oven upright. Remove and properly discard plastic bags and foam packing.

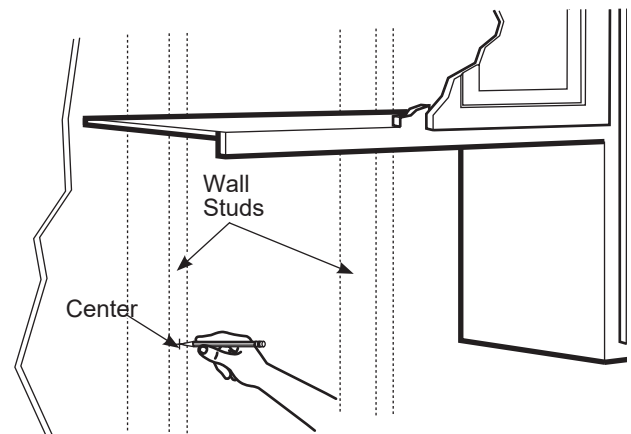
5. Cut the middle of the outer protective plastic bag to remove the mounting plate.

A. REMOVING THE MICROWAVE OVEN FROM THE CARTON

6. Remove the screws from each end of the mounting plate. This plate will be used as the rear wall template and for mounting. Reinstall the screws into the holes from where they were removed.



B. FINDING THE WALL STUDS



1. Find the studs, using one of the following methods:

A. Stud finder – a magnetic device which locates nails.

B. Use a hammer to tap lightly across the mounting surface to find a solid sound. This will indicate a stud location.

2. After locating the stud(s), find the center by probing the wall with a small nail to find the edges of the stud. Then place a mark halfway between the edges. The center of any adjacent studs should be 16" (40.6cm) or 24" (61cm) from this mark.

3. Draw a line down the center of the studs.

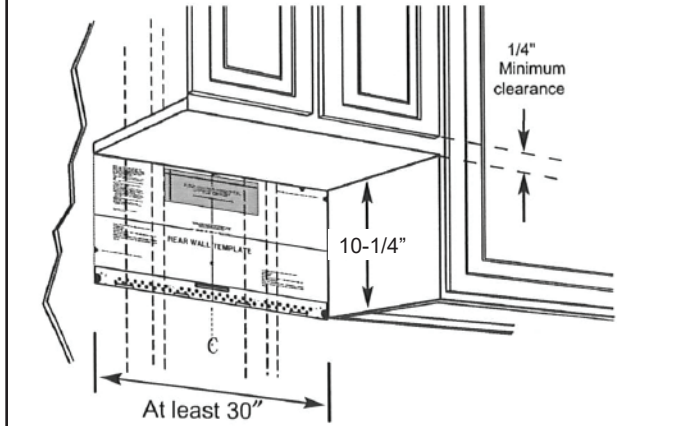
THE MICROWAVE MUST BE CONNECTED TO AT LEAST ONE WALL STUD.

Installation Instructions

1. PLACEMENT OF THE MOUNTING PLATE

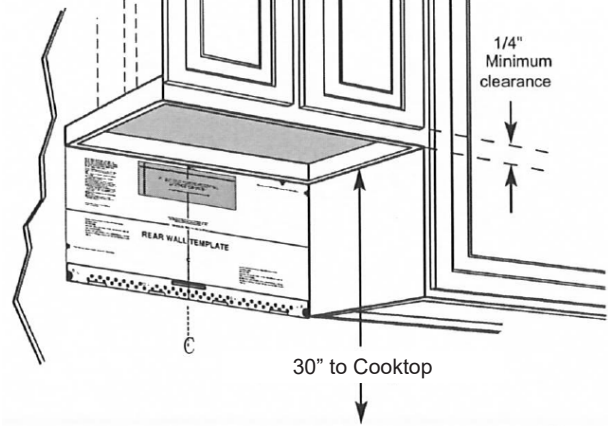
C. DETERMINING MOUNTING PLATE LOCATION UNDER YOUR CABINET

Plate Position – beneath flat bottom cabinet



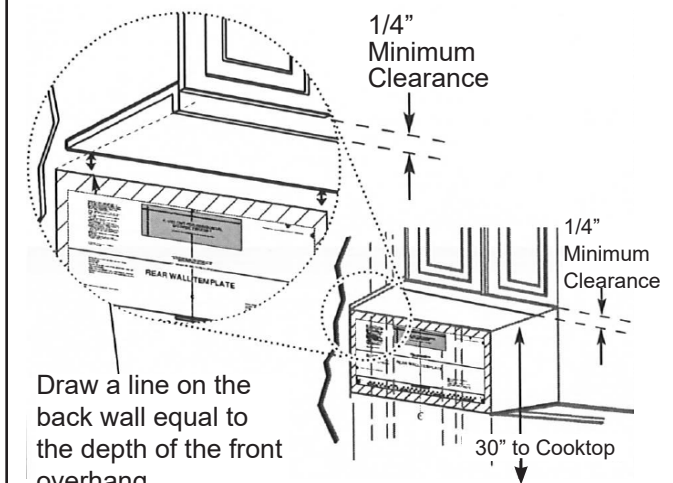
Draw a vertical line on the wall at the center of the 30" wide space. Tape the Rear Wall Template onto the wall matching the centerline and touching the bottom of the cabinet.

Plate Position – beneath framed recessed cabinet bottom



Draw a vertical line on the wall at the center of the 30" space. Tape the Rear Wall Template onto the wall matching the centerline and touching the bottom cabinet frame.

Plate Position – beneath recessed bottom cabinet with front overhang



Draw a line on the back wall equal to the depth of the front overhang

Your cabinets may have decorative trim that interferes with the microwave installation. Remove the decorative trim to install the microwave properly and to make it level.

THE MICROWAVE MUST BE LEVEL

Use a level to make sure the cabinet bottom is level.

If the cabinets have a front overhang only, with no back or side frame, install the mounting plate down the same distance as the front overhang depth. This will keep the microwave level.

1. Measure the inside depth of the front overhang.
2. Draw a horizontal line on the back wall an equal distance below the cabinet bottom as the inside depth of the front overhang.
3. For this type of installation with front overhang only, align the Rearwall Template with this horizontal line, not touching the cabinet bottom as described in Step D.

Installation Instructions

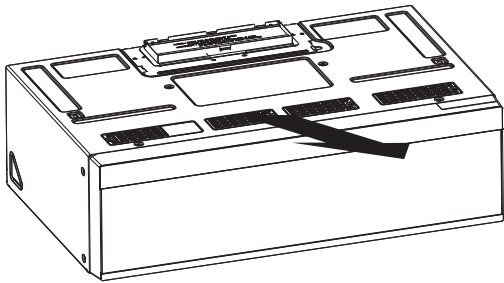
2. INSTALLATION TYPES (Choose A, B or C)

This microwave oven is designed for adaptation to the following three types of ventilation:

- A. Recirculating (Non-Vented Ductless)
- B. Outside Top Exhaust (Vertical Duct)
- C. Outside Back Exhaust (Horizontal Duct)

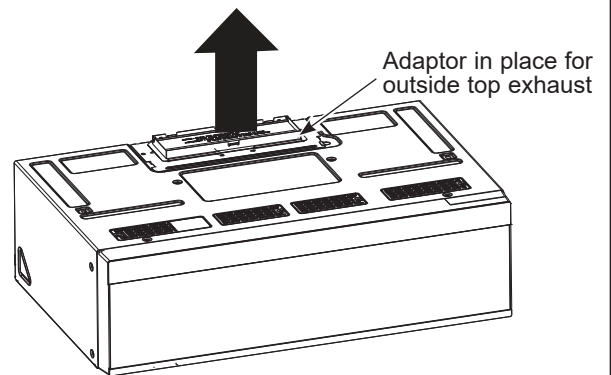
NOTE: This microwave oven is shipped assembled for Outside Top Exhaust (Vertical Duct). Select the type of ventilation required for your installation and proceed to that section.

A. RECIRCULATING (NON-VENTED DUCTLESS)



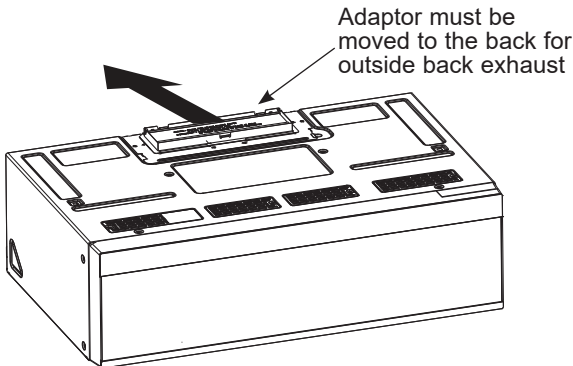
See page 11

C. OUTSIDE TOP EXHAUST (VERTICAL DUCT)



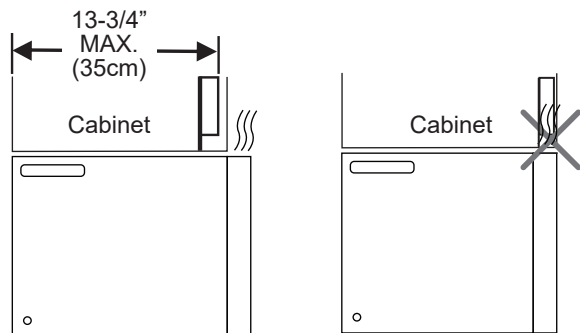
See page 19

B. OUTSIDE BACK EXHAUST (HORIZONTAL DUCT)



See page 15

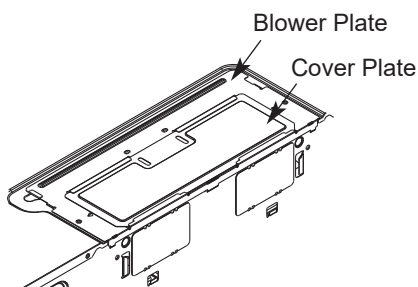
NOTE: If the cabinet depth, including cabinet doors, is more than the maximum dimension shown, then the oven must be spaced out from the wall using adequate materials supporting 150 lbs to allow proper top vent air exhaust/intake.



Installation Instructions

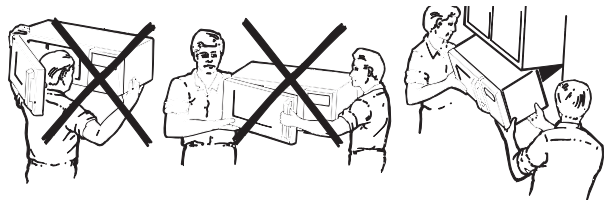
2. INSTALLATION TYPES (Choose A, B or C)

A3. CHECK BLOWER PLATE



- Place the microwave in its upright position, with the top of the microwave facing up.
- Check to see that the blower plate and cover plate are correctly installed on the oven.

A4. MOUNT THE OVEN



FOR EASIER INSTALLATION AND PERSONAL SAFETY, WE RECOMMEND THAT **TWO PEOPLE INSTALL THIS OVEN.**

IMPORTANT: Do not grip or use the handle or heat shield during installation. Do not remove the cardboard spacers between the heat shield and door.

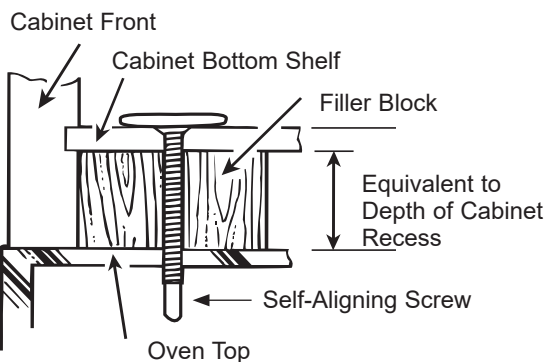
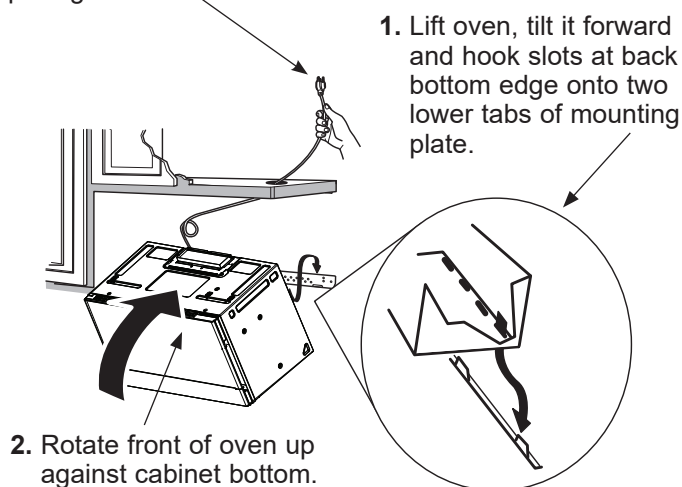
NOTE: If your cabinet is metal, use the nylon grommet around the power cord hole to prevent cutting of the cord.

NOTE: We recommend using filler blocks if the cabinet front hangs below the cabinet bottom shelf.

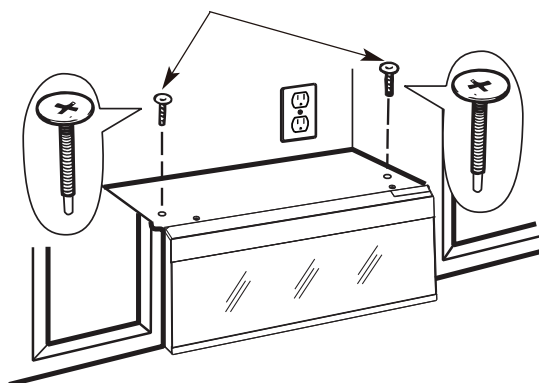
IMPORTANT: If filler blocks are not used, case damage may occur from over tightening screws.

A4. MOUNT THE OVEN (cont)

NOTE: When mounting the oven, thread power cord through hole in bottom of top cabinet. Keep it tight throughout Steps 1–3. Do not pinch cord or lift oven by pulling cord.



3. Attach the oven to the top cabinet by inserting 2 self-aligning screws through outer top cabinet holes. Turn two full turns on each screw. **Be sure to keep power cord tight. Be careful not to pinch the cord, especially when mounting flush to bottom of cabinet.**

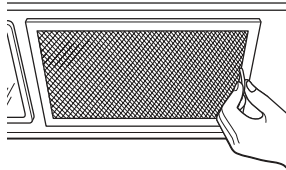


Installation Instructions

2. INSTALLATION TYPES (Choose A, B or C)

A4. MOUNT THE OVEN (cont)

4. Tighten the two screws to the top of the oven completely. (While tightening screws, hold the oven in place against the wall and the top cabinet.)



5. Install grease filters. See the Owner's Manual packed with the oven.

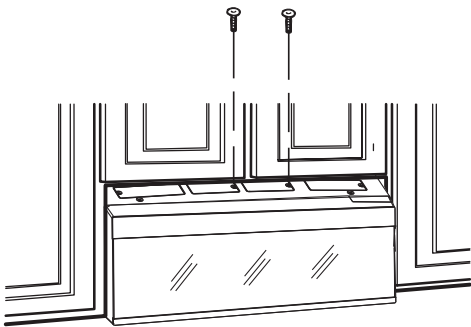
A5. WHEN REPLACING THE CHARCOAL FILTER

If the model is not vented to the outside, the air will be recirculated through a disposable charcoal filter that helps remove smoke and odors.

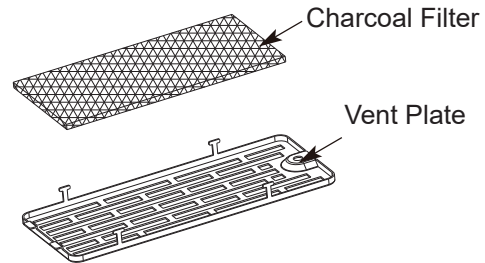
The charcoal filter should be replaced when it is noticeably dirty or discolored (usually after 6 to 12 months, depending on hood usage). See your Owner's Manual for the filter kit number.

To replace the charcoal filter:

1. Unplug the microwave oven or disconnect power.
2. Remove the two vent plate screws located on the top of the microwave using a #1 Phillips screwdriver.



3. Change the charcoal filter from the vent plate.



4. Replace the vent plate and reinstall the two vent plate screws located at the top of the microwave using a #1 Phillips screwdriver.
5. Close the microwave door. Plug in the microwave oven or reconnect power.

Installation Instructions

2. INSTALLATION TYPES (Choose A, B or C)

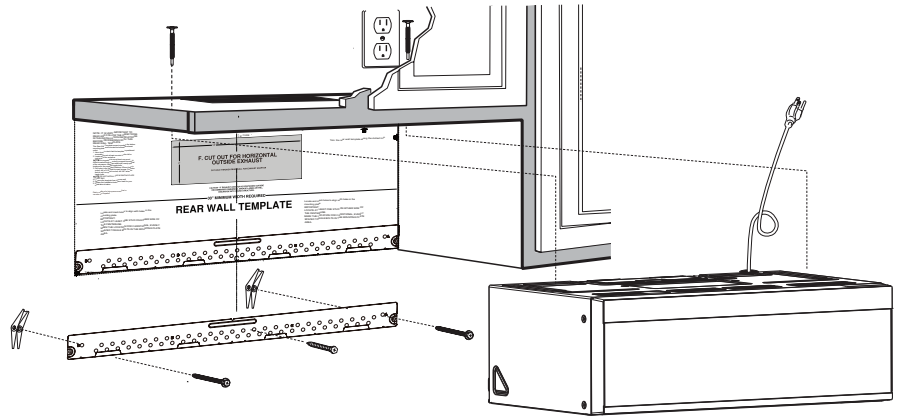
B. OUTSIDE TOP EXHAUST (Vertical Duct)

INSTALLATION OVERVIEW

- B1. Attach Mounting Plate to Wall
- B2. Prepare Top Cabinet
- B3. Adapting Microwave Air Director for Outside Top Exhaust
- B4. Check Damper Operation
- B5. Mount Microwave Oven
- B6. Adjust Exhaust Adaptor
- B7. Connecting Ductwork

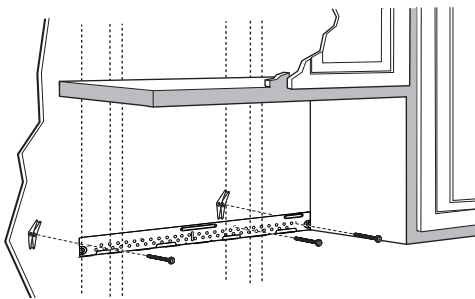
IMPORTANT NOTES:

- Make sure the screws for the blower motor and blower plate are securely tightened when they are reinstalled. This will help to prevent excessive vibration.
- Make sure the motor wiring has been properly routed and secured and that the wires are not pinched.



IMPORTANT: Do NOT remove the cardboard spacers between the heat shield and door

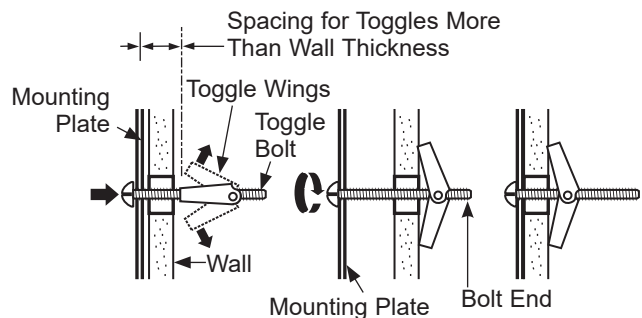
B1. ATTACH THE MOUNTING PLATE TO THE WALL



Attach the plate to the wall using toggle bolts and wood screws. At least one wood screw must be used to attach the plate to a wall stud..

1. Remove the toggle wings from the bolts.
2. Insert the bolts into the mounting plate through the holes designated to go into drywall and reattach the toggle wings to $\frac{3}{4}$ " onto each bolt.

To use toggle bolts:



3. Insert the toggle wings into the holes in the wall and place the mounting plate against the wall.

CAUTION Be careful to avoid pinching fingers between the back of the mounting plate and the wall.

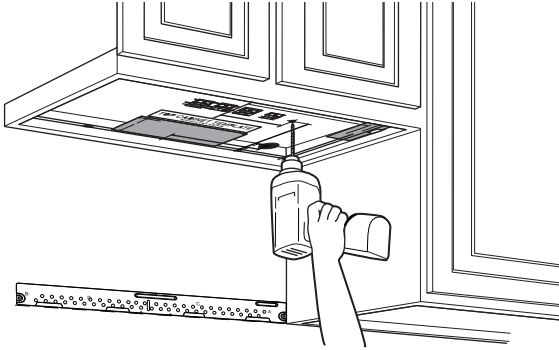
4. Tighten all bolts. Pull the plate away from the wall to help tighten the bolts.

Installation Instructions

2. INSTALLATION TYPES (Choose A, B or C)

B2. USE TOP CABINET TEMPLATE FOR PREPARATION OF TOP CABINET

You need to drill holes for the top support screws, a hole large enough for the power cord to fit through, and a cutout large enough for the exhaust adaptor.

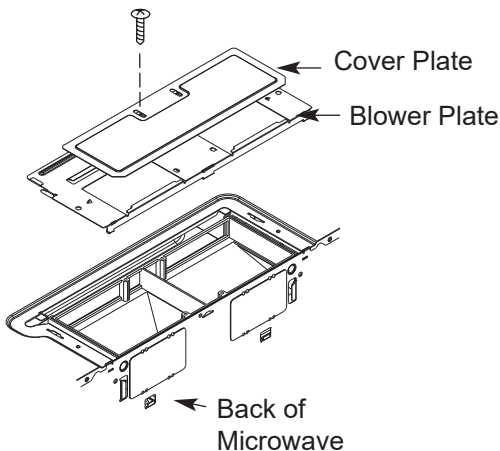


- Read the instructions on the TOP CABINET TEMPLATE.
- Tape it underneath the top cabinet.
- Drill the holes, following the instructions on the TOP CABINET TEMPLATE.

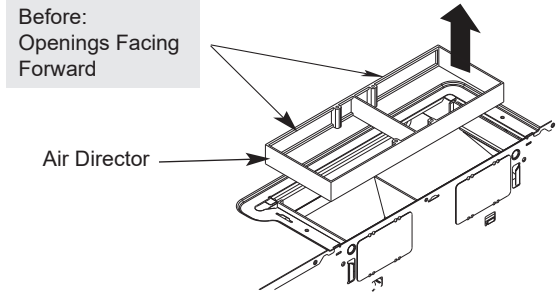
CAUTION Wear safety goggles when drilling holes in the cabinet bottom.

B3. ADAPTING MICROWAVE AIR DIRECTOR FOR OUTSIDE TOP EXHAUST

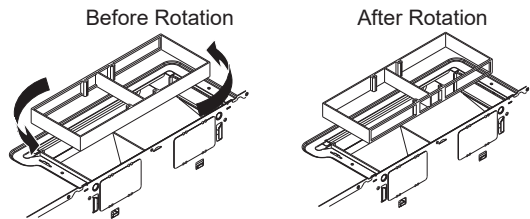
1. Remove the screw that holds the blower plate to the microwave. Remove the cover plate.



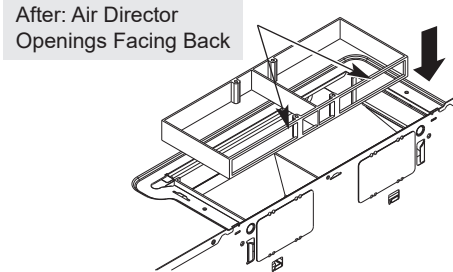
2. Carefully pull out the AIR DIRECTOR.



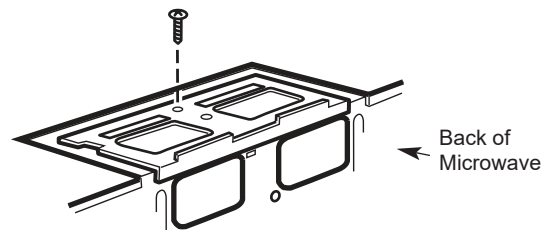
3. Rotate the air director counterclockwise 180°.



4. Place the air director back into the opening.



5. Replace blower plate with the screw removed in Step 1. Make sure the screw is tight.

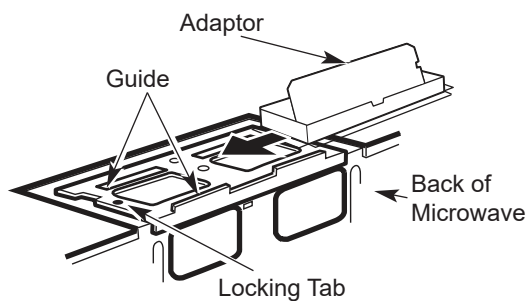


Installation Instructions

2. INSTALLATION TYPES (Choose A, B or C)

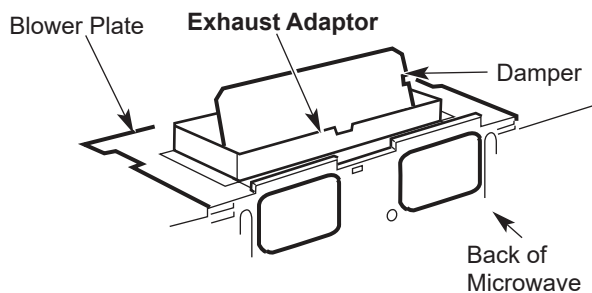
B3. ADAPTING MICROWAVE AIR DIRECTOR FOR OUTSIDE TOP EXHAUST (cont)

6. Attach the exhaust adaptor to the top of the blower plate by sliding it into the guides of the blower plate.



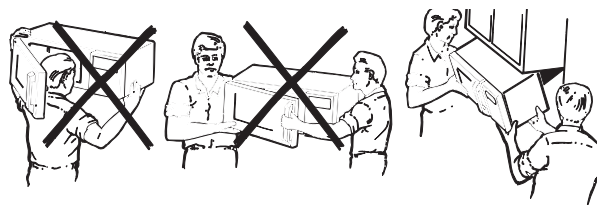
7. Push in securely until it is in the locking tabs. Take care to ensure that the damper hinge is installed so that the damper swings freely.

B4. CHECK FOR PROPER DAMPER OPERATION



- Make sure tape securing the damper is removed and damper pivots easily before mounting microwave.
- You will need to make adjustments to ensure proper alignment with your house exhaust duct after the microwave is installed.

B5. MOUNT THE OVEN



FOR EASIER INSTALLATION AND PERSONAL SAFETY, WE RECOMMEND THAT **TWO PEOPLE INSTALL THIS OVEN.**

IMPORTANT: Do not grip or use the handle or heat shield during installation. Do not remove the cardboard spacers between the heat shield and door.

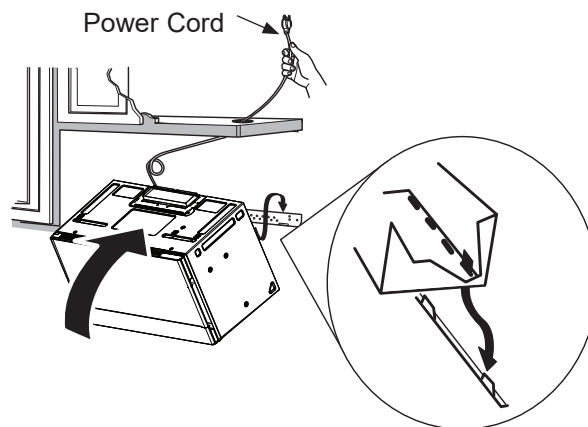
NOTE: If your cabinet is metal, use the nylon grommet around the power cord hole to prevent cutting of the cord.

NOTE: We recommend using filler blocks if the cabinet front hangs below the cabinet bottom shelf.

IMPORTANT: If filler blocks are not used, case damage may occur from over tightening screws.

NOTE: When mounting the microwave, thread power cord through hole in bottom of top cabinet. Keep it tight throughout Steps 1–3. Do not pinch cord or lift microwave oven by pulling cord.

1. Lift microwave, tilt it forward, and hook slots at back bottom edge onto four lower tabs of mounting plate.

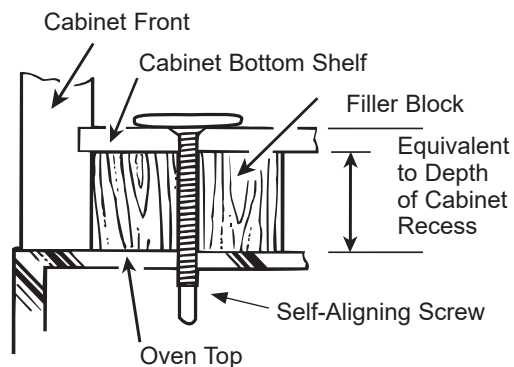


2. Rotate front of microwave oven up against cabinet bottom.

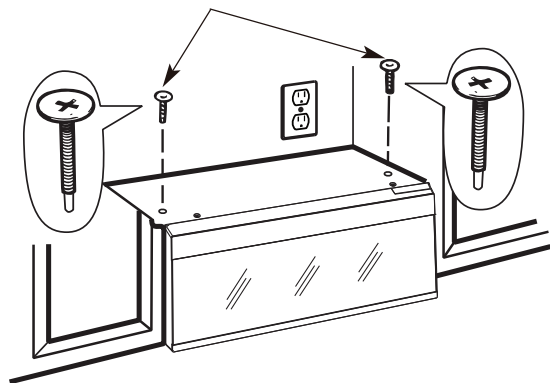
Installation Instructions

2. INSTALLATION TYPES (Choose A, B or C)

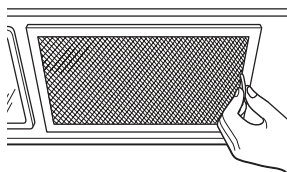
B5. MOUNT THE OVEN (cont)



3. Attach the oven to the top cabinet by inserting 2 self-aligning screws through outer top cabinet holes. Turn two full turns on each screw. **Be sure to keep power cord tight. Be careful not to pinch the cord, especially when mounting flush to bottom of cabinet.**



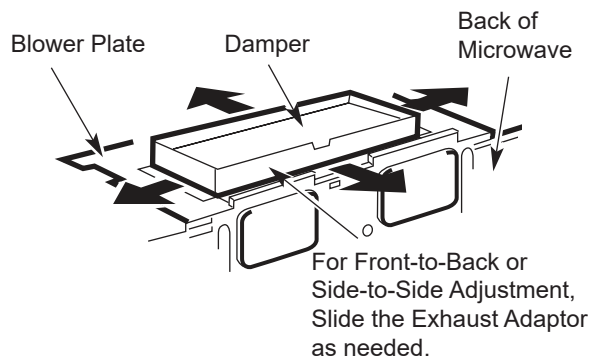
4. Tighten the two screws to the top of the oven completely. (While tightening screws, hold the oven in place against the wall and the top cabinet.)



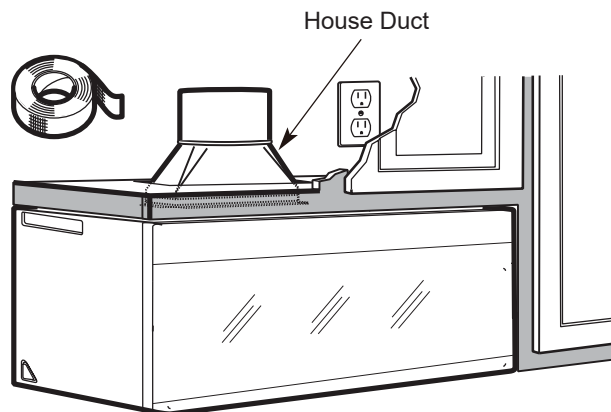
5. Install grease filters. See the Owner's Manual packed with the oven.

B6. ADJUST THE EXHAUST ADAPTOR

Open the top cabinet and adjust the exhaust adaptor to connect to the house duct.



B7. CONNECTING DUCTWORK



1. Extend the house duct down to connect to the exhaust adaptor.
2. Seal exhaust duct joints using furnace duct tape for high temperature applications.

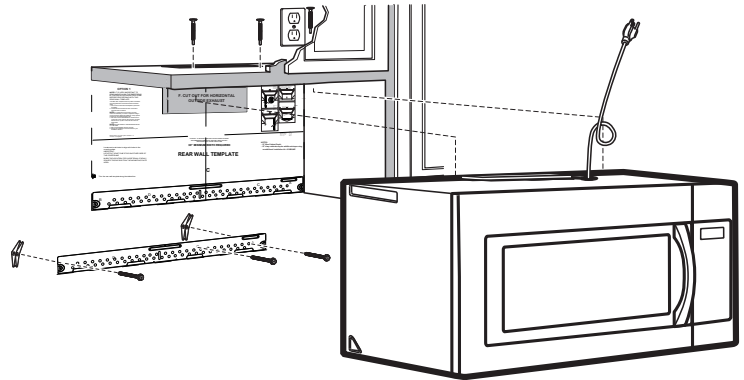
Installation Instructions

2. INSTALLATION TYPES (Choose A, B or C)

C. OUTSIDE BACK EXHAUST (Horizontal Duct)

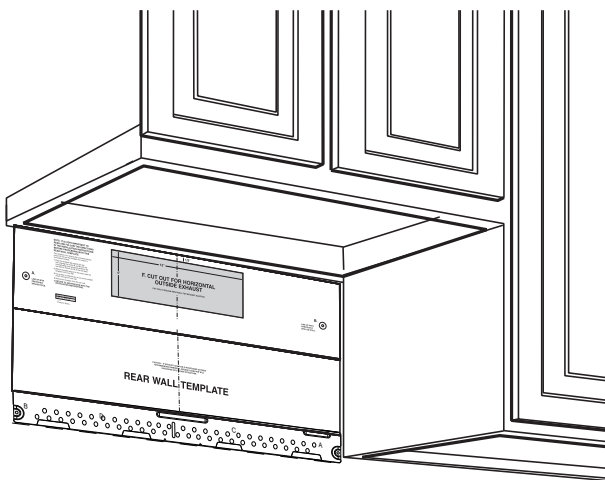
INSTALLATION OVERVIEW

- C1. Prepare Rear Wall
- C2. Attach Mounting Plate to Wall
- C3. Prepare Top Cabinet
- C4. Remove Blower Plate
- C5. Adapting Microwave Air Director for Outside Back Exhaust
- C6. Mount Microwave Oven



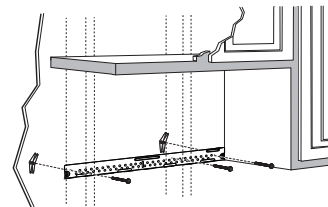
C1. PREPARING THE REAR WALL FOR OUTSIDE BACK EXHAUST

You need to cut an opening in the rear wall for outside exhaust.



- Read the instructions on the REAR WALL TEMPLATE.
- Tape it to the rear wall, lining up with the holes previously drilled for holes A and B in the mounting plate.
- Cut the opening, following the instructions of the REAR WALL TEMPLATE..

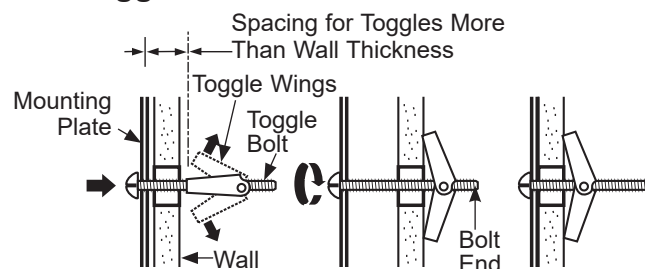
C2. ATTACH THE MOUNTING PLATE TO THE WALL



Attach the plate to the wall using toggle bolts and wood screw. At least one wood screw must be used to attach the plate to a wall stud.

1. Remove the toggle wings from the bolts.
2. Insert the bolts into the mounting plate through the holes designated to go into drywall and reattach the toggle wings to 3/4" onto each bolt.

To use toggle bolts:



3. Insert the toggle wings into the holes in the wall to mount the plate and place the mounting plate against the wall.

CAUTION Be careful to avoid pinching fingers between the back of the mounting plate and the wall.

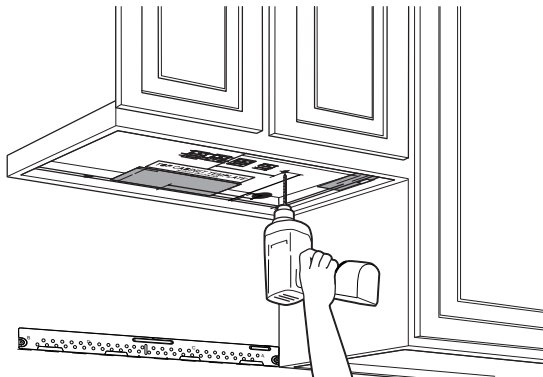
4. Tighten all bolts. Pull the plate away from the wall to help tighten the bolts.

Installation Instructions

2. INSTALLATION TYPES (Choose A, B or C)

C3. USE TOP CABINET TEMPLATE FOR PREPARATION OF TOP CABINET

You need to drill holes for the top support screws and a hole large enough for the power cord to fit through.

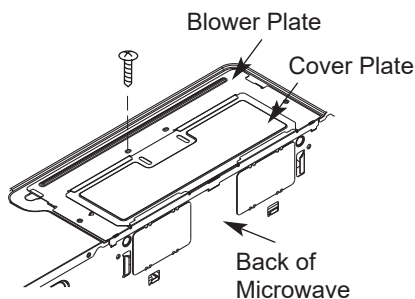


- Read the instructions on the TOP CABINET TEMPLATE.
- Tape it underneath the top cabinet.
- Drill the holes, following the instructions on the TOP CABINET TEMPLATE.

CAUTION Wear safety goggles when drilling holes in the cabinet bottom.

C4. REMOVE BLOWER PLATE

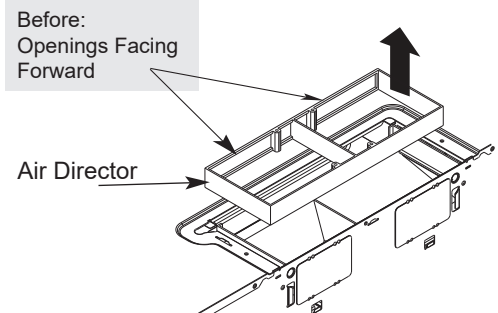
- Remove and save the screw that holds the blower plate to the microwave. Lift off the blower plate.



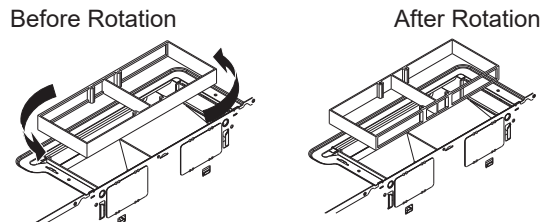
- The cover plate is installed with the blower plate and does not need to be uninstalled.

C5. ADAPTING MICROWAVE AIR DIRECTOR FOR OUTSIDE BACK EXHAUST

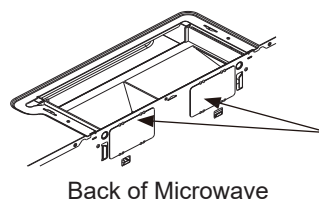
1. Carefully pull out the AIR DIRECTOR.



2. Rotate the air director counterclockwise 180°.



3. Remove the knockout plates in the back of the microwave with snips. (For some models).



Knockout Plates:

Snip all 4 web on each knockout panel and remove the metal knockouts for rear airflow. Please take care to remove any sharp edges created from removing the knockout plates.

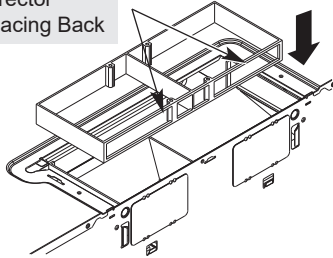
Installation Instructions

2. INSTALLATION TYPES (Choose A, B or C)

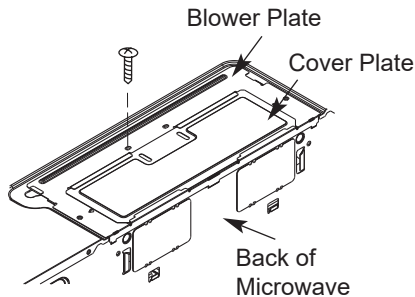
C5. ADAPTING MICROWAVE AIR DIRECTOR FOR OUTSIDE BACK EXHAUST

4. Place the air director back into the opening.

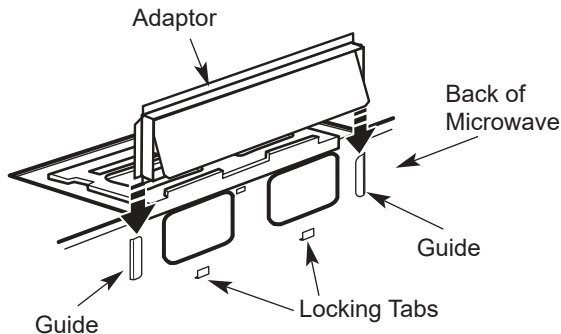
After: Air Director
Openings Facing Back



5. Secure the blower plate to the microwave with the original screw.

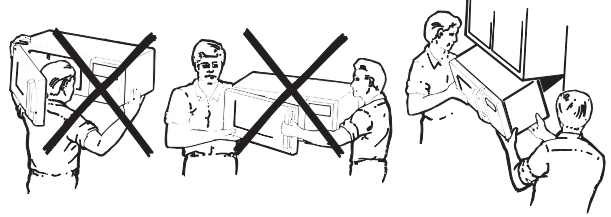


6. Attach the exhaust adaptor to the rear of the oven by sliding it into the guides at the top of the center of the back of the oven.



7. Push in securely until it is in the lower locking tabs. Take care to ensure that the damper hinge is installed so that it is at the top and that the damper swings freely.

C6. MOUNT THE OVEN



FOR EASIER INSTALLATION AND PERSONAL SAFETY, WE RECOMMEND THAT **TWO PEOPLE INSTALL THIS OVEN.**

IMPORTANT: Do not grip or use the handle or heat shield during installation. Do not remove the cardboard spacers between the heat shield and door.

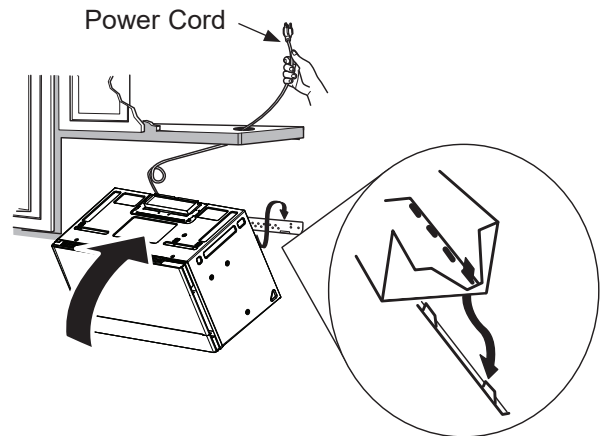
NOTE: If your cabinet is metal, use the nylon grommet around the power cord hole to prevent cutting of the cord.

NOTE: We recommend using filler blocks if the cabinet front hangs below the cabinet bottom shelf.

IMPORTANT: If filler blocks are not used, case damage may occur from over tightening screws.

NOTE: When mounting the microwave, thread power cord through hole in bottom of top cabinet. Keep it tight throughout Steps 1–3. Do not pinch cord or lift microwave oven by pulling cord.

1. Lift microwave, tilt it forward, and hook slots at back bottom edge onto four lower tabs of mounting plate.

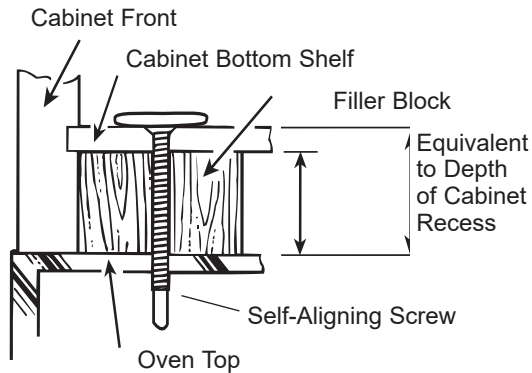


2. Rotate front of microwave oven up against cabinet bottom.

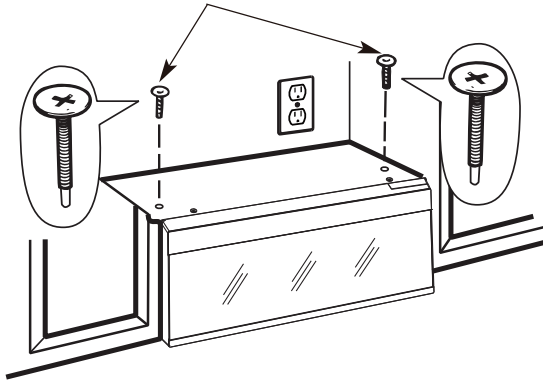
Installation Instructions

2. INSTALLATION TYPES (Choose A, B or C)

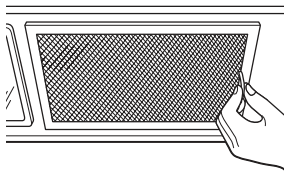
C6. MOUNT THE OVEN (cont)



3. Attach the oven to the top cabinet by inserting 2 self-aligning screws through outer top cabinet holes. Turn two full turns on each screw. **Be sure to keep power cord tight. Be careful not to pinch the cord, especially when mounting flush to bottom of cabinet.**



4. Tighten the two screws to the top of the oven completely. While tightening screws, hold the oven in place against the wall and the top cabinet.



5. Install grease filters. See the Owner's Manual packed with the oven.

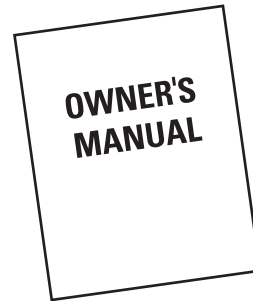
Installation Instructions

BEFORE YOU USE YOUR MICROWAVE

1. Make sure the microwave oven has been installed according to instructions.



6. Read the Owner's Manual.



2. Remove all packing material from the microwave oven.

3. Install turntable and ring in cavity.

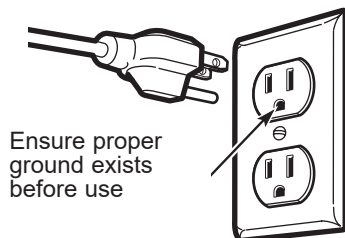
4. Replace house fuse or turn breaker back on.



7. KEEP INSTALLATION INSTRUCTIONS FOR THE LOCAL INSPECTOR'S USE.



5. Plug power cord into a dedicated 15- to 20-amp electrical outlet.



Whenever a two-prong wall outlet is found, it is very important to replace it with a properly grounded three-wire outlet installed by a qualified electrician.

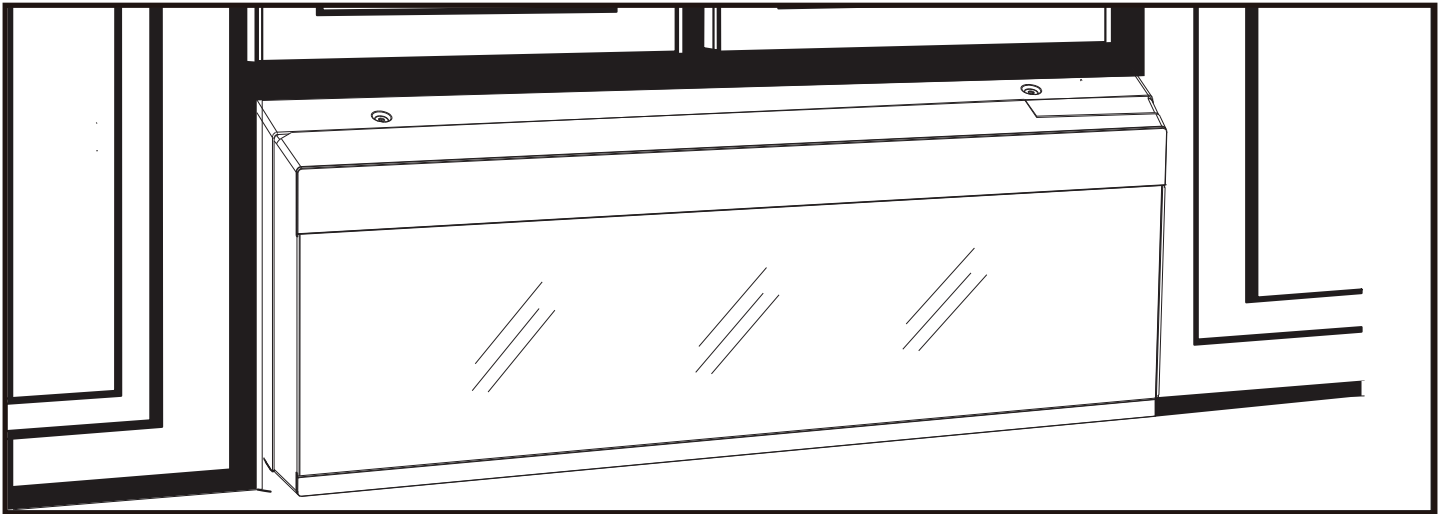
Instrucciones de instalación

Horno microondas para colocar encima de la estufa

ANTES DE EMPEZAR

Lea estas instrucciones completa y cuidadosamente.

- **IMPORTANTE** — Guarde estas instrucciones para el uso del inspector local.
- **IMPORTANTE** — Cumpla con todos los códigos y ordenanzas gubernamentales.
- **Nota para el instalador** — Asegúrese de dejar estas instrucciones con el consumidor.
- **Nota para el consumidor** — Guarde estas instrucciones para futura referencia.
- **Nivel de destrezas** — La instalación de este aparato requiere de destrezas básicas de mecánica y electricidad.
- La instalación apropiada es responsabilidad del instalador.
- La falla del producto debido a una instalación inapropiada no está cubierta por la garantía.



**LEA CUIDADOSAMENTE.
GUARDE ESTAS INSTRUCCIONES.**

Instrucciones de Instalación

INSTRUCCIONES DE SEGURIDAD IMPORTANTES

! Éste es el símbolo de alerta de seguridad. El mismo alerta sobre potenciales riesgos que le pueden producir la muerte o lesiones tanto a usted como a otras personas. Todos los mensajes de seguridad estarán a continuación del símbolo de alerta de seguridad y con la palabra “PELIGRO”, “ADVERTENCIA” o “PRECAUCIÓN”. Estas palabras se definen como:

! PELIGRO

Indica una situación de riesgo que, si no se evita, **producirá** la muerte o lesiones graves.

! ADVERTENCIA

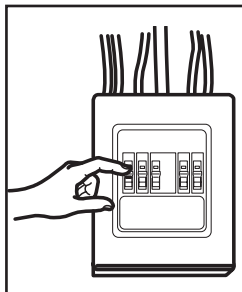
Indica una situación de riesgo que, si no se evita, **podría** producir la muerte o lesiones graves.

! PRECAUCIÓN

Indica una situación de riesgo que, si no se evita, **podría** resultar en lesiones menores o moderadas.

Este producto requiere un tomacorriente eléctrico de tres patas conectado a tierra. El instalador debe llevar a cabo una inspección de continuidad a tierra en la caja eléctrica antes de comenzar la instalación para asegurar que la caja tomacorriente está conectada

a tierra de manera apropiada. Si no lo está, o si el tomacorriente no cumple con los requisitos eléctricos indicados (bajo la sección REQUISITOS ELÉCTRICOS), se deberá recurrir a un técnico calificado para corregir cualquier deficiencia.



! PRECAUCIÓN

Para seguridad personal, remueva el fusible de la casa o abra el interruptor de circuito antes de comenzar la instalación para evitar descargas eléctricas severas o fatales

! ADVERTENCIA

Riesgo de Descarga Eléctrica. Puede ocasionar lesiones o la muerte: ESTE ELECTRODOMÉSTICO SE DEBE CONECTAR A TIERRA DE FORMA CORRECTA a fin de evitar descargas severas o mortales.



Asegúrese de contar con una conexión a tierra adecuada antes de usar.

Modelos de 120 V

El cable de corriente de este electrodoméstico contiene un enchufe de 3 patas (conexión a tierra) que se conecta a un tomacorriente de pared estándar de 3 cables (conexión a tierra) para minimizar la posibilidad de riesgos de descargas eléctricas por parte del mismo.

! ADVERTENCIA

Riesgo de Descarga Eléctrica. Puede ocasionar lesiones o la muerte: NUNCA, bajo ninguna circunstancia, corte, deforme o elimine ninguna de las puntas de los cables de corriente. No use un prolongador. Si no se cumple con esto, se podrán producir incendios..

REQUISITOS ELÉCTRICOS

Modelos de 120 V

La clasificación del producto es de 120 vatios CA (AC), 60 hertz, 15 amperios, y 1.6 kilovatios. Este producto debe estar conectado a un circuito de suministro del voltaje y frecuencia apropiados. El tamaño del alambre debe conformarse a los requisitos del National Electric Code o al código local en efecto para este índice de kilovatios. El cable eléctrico de alimentación y el interruptor deberán llevarse a un tomacorriente único conectado a tierra de 15 a 20 amperios. La caja del tomacorriente deberá estar localizada en el gabinete encima del horno. La caja del tomacorriente debe ser instalada por un electricista calificado y debe conformarse al National Electrical Code o al código local en efecto.

! PRECAUCIÓN

Por razones de seguridad, la superficie de montaje deberá poder soportar la carga del gabinete, además del peso agregado al horno, junto con las cargas adicionales en el horno.

! PRECAUCIÓN

Por razones de seguridad, este producto no se puede instalar en arreglos de gabinete tales como una isla o península. Se debe montar TANTO a un gabinete superior COMO a una pared.

! PRECAUCIÓN

A fin de evitar el riesgo de lesión personal (lesión en la espalda u otras lesiones debido a peso excesivo del horno de microondas) o daños sobre el producto, deberá contar con la ayuda de dos personas para instalar este horno de microondas.

Instrucciones de Instalación

CAMPANA DE ESCAPE

NOTA: Lea las siguientes dos páginas solamente si planea ventilar el escape hacia el exterior. Si por el contrario planea recircular el aire de vuelta hacia el salón, continúe en la página 30.

ESCAPE SUPERIOR EXTERNO (EJEMPLO SOLAMENTE)

La siguiente tabla describe un ejemplo de una posible instalación de red de conductos.



PARTES DEL CONDUCTO		LONGITUD EQUIVALENTE	x	NÚMERO USADO	=	LONGITUD EQUIVALENTE
	Tapa del techo	24 pies	x	(1)	=	24 pies
	Conducto recto de 12 pies (redondo de 6")	12 pies	x	(1)	=	12 pies
	Adaptador de transición de rectángulo a redondo*	5 pies	x	(1)	=	5 pies
La longitud de las partes de los conductos equivalentes está basada en pruebas reales y reflejan los requisitos para lograr una buena ventilación con cualquier campana de escape.						Longitud total = 41 pies

***IMPORTANTE:** Si se usa un adaptador de transición de rectángulo a redondo, las esquinas del fondo del regulador de tiros deberán cortarse para que encajen, usando las tijeras de corte, para permitir el movimiento libre del regulador de tiros.

ESCAPE POSTERIOR EXTERNO (EJEMPLO SOLAMENTE)

La siguiente tabla describe un ejemplo de una posible instalación de red de conductos.



PARTES DEL CONDUCTO		LONGITUD EQUIVALENTE	x	NÚMERO USADO	=	LONGITUD EQUIVALENTE
	Tapa de pared	40 pies	x	(1)	=	40 pies
	Conducto recto de 3 pies (rectangular de 3¼" x 10")	3 pies	x	(1)	=	3 pies
	Codo de 90°	10 pies	x	(2)	=	20 pies
La longitud de las partes de los conductos equivalentes está basada en pruebas reales y reflejan los requisitos para lograr una buena ventilación con cualquier campana de escape.						Longitud total = 63 pies

NOTA: Para el escape posterior, se debe tener cuidado al alinear el escape entre los espacios de los postes de viga de la pared, o la pared debería ser preparada en el momento de su construcción dejando suficiente espacio entre los postes de viga de la pared para acomodar el escape.

Instrucciones de Instalación

NOTA: Si usted necesita instalar conductos, tenga pendiente que la longitud total del conducto rectangular de 3¼" x 10" o el conducto redondo de 6" de diámetro **no debe sobrepasar 140 pies equivalentes**.

La ventilación externa requiere un CONDUCTO DE CAMPANA DE ESCAPE. Lea lo siguiente cuidadosamente.

NOTA: Es importante que la ventilación sea instalada usando la ruta más directa y con la menor cantidad de codos posible. Esto asegura la ventilación del escape y ayuda a prevenir bloqueos. También, cerciórese de que el regulador de tiro pende libremente y nada bloquea los conductos.

Conexiones de escape:


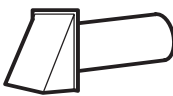


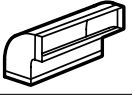



La campana de escape ha sido diseñada para encajar con un conducto rectangular de 3¼" x 10" estándar.

Si un conducto redondo es necesario, se debe usar un adaptador de transición de rectangular a redondo. **No use un conducto menor de 6" de diámetro.**

Longitud máxima del conducto:

Para lograr un movimiento satisfactorio del aire, la longitud total del conducto rectangular de 3¼" x 10" o el conducto redondo de 6" de diámetro **no debe sobrepasar 140 pies equivalentes**.

Los codos, transiciones, paredes y tapas de techo, etc., presentan resistencia adicional al flujo de aire y son equivalentes a una sección de conducto recto el cual es más largo que su tamaño físico real. Cuando calcule la longitud total del conducto, agregue las longitudes equivalentes de todas las transiciones y adaptadores, más la longitud de todas las secciones de conducto rectas. La tabla más adelante muestra cómo puede calcular la longitud aproximada de la red de conductos usando pies aproximados de longitudes equivalentes de algunos conductos típicos.

PARTES DE CONDUCTO		LONGITUD EQUIVALENTE	x	NÚMERO USADO	=	LONGITUD EQUIVALENTE
	Adaptador de transición de rectángulo a redondo*	5 pies	x	()	=	pies
	Tapa de pared	40 pies	x	()	=	pies
	Codo de 90°	10 pies	x	()	=	pies
	Codo de 45°	5 pies	x	()	=	pies
	Codo de 90°	25 pies	x	()	=	pies
	Codo de 45°	5 pies	x	()	=	pies
	Tapa de techo	24 pies	x	()	=	pies
	Conducto recto de 6" redondo o rectangular de 3¼" x 10"	1 pies	x	()	=	pies



*** IMPORTANTE:** Si se usa un adaptador de transición de rectángulo a redondo, las esquinas del fondo del regulador de tiros deberán ser cortadas para que encajen, usando las tijeras de corte, para permitir el movimiento libre del regulador de tiros.

La longitud de las partes de conductos equivalentes está basada en pruebas reales y reflejan los requisitos para lograr una buena ventilación con cualquier campana de escape.

Instrucciones de Instalación

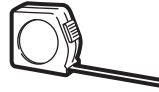
HERRAMIENTAS NECESARIAS



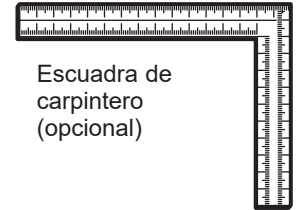
Destornillador Phillips nº1 y nº2



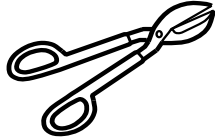
Lápiz



Regla o cinta métrica y extremo recto



Escuadra de carpintero (opcional)



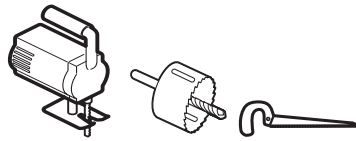
Tijeras para hojalata (para cortes en reguladores, si se requiere)



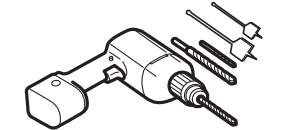
Tijeras (para cortar plantillas, si es necesario)



Guantes



Sierra (sable, agujero o cerradura)



Taladro eléctrico con brocas de 3/16", 7/16", 1/2", y 5/8"



Bloques de llenado o piezas de fragmentos de madera, si son necesarios para para generar espacio en el gabinete superior (usados en instalaciones de gabinetes inferiores ahuecados únicamente)



Gafas de seguridad



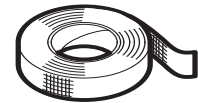
Nivel



Detector de montantes



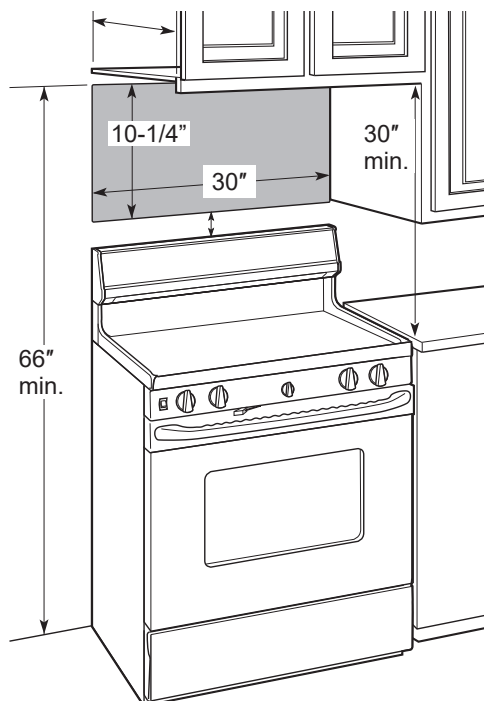
Martillo (opcional)



Cinta para conductos y de mascarar

ESPACIO DE MONTAJE

* 13-3/4" max.



NOTAS:

- El espacio entre los gabinetes debe ser de 30" de ancho y debe estar libre de obstrucciones.
- Si usted se dispone a ventilar su horno hacia el exterior, ver la Sección de Campana de Escape para la preparación del conducto de escape.
- Cuando se instale el horno debajo de gabinetes de fondos lisos y planos, tenga cuidado de seguir cuidadosamente las instrucciones en la plantilla del gabinete superior para el espacio de tolerancia del cable eléctrico.
- * Si la profundidad del gabinete, incluyendo las puertas del gabinete, es superior a la dimensión máxima mostrada, entonces el horno se deberá espaciar de la pared usando materiales adecuados que soportes 150 libras, a fin de permitir una correcta salida/ entrada del aire por la parte superior.
- Para modelos con hoyos de ventilación superiores: No permita que el gabinete u otros objetos bloqueen el flujo de aire de la ventilación.
- Todos los demás hornos microondas sobre la cocina se deberán instalar sobre cualquier superficie de cocción o cocina con un BTU combinado superior a 63,000 BTU.


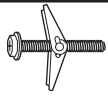


Instrucciones de Instalación - Placa de montaje recta

DAÑO – ENVÍO/ INSTALACIÓN

- Si la unidad se daña durante el envío, devuelva la unidad a la tienda donde fue comprada para su reparación o reemplazo.
- Si la unidad es dañada por el cliente, la reparación o reemplazo es responsabilidad del cliente.
- Si la unidad es dañada por el instalador (si no es el cliente), la reparación o reemplazo deberá ser realizado por arreglo entre el cliente y el instalador.

PARTES INCLUIDAS

PAQUETE DE PIEZAS

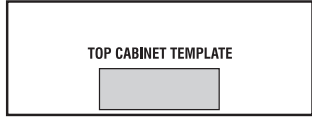
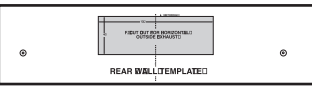
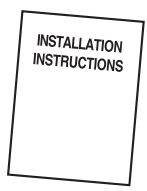


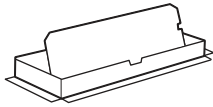

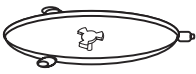
PARTE		CANTIDAD
	Tornillos de Madera (1/4" x 2")	2
	Tornillos con resorte y tuercas mariposa (3/16" x 3")	4
	Tornillo de Máquina con Auto Alineación (1/4"-28 x 3-1/4")	3
	Arandela Aislante de Nylon (para gabinetes metálicos)	2

Encontrará las piezas de instalación dentro de un paquete con la unidad. Asegúrese de que se encuentren todas las piezas.

NOTA: Se incluyen algunas piezas adicionales.

PARTES INCLUIDAS

PIEZAS ADICIONALES

PARTE		CANTIDAD
	Plantilla del Gabinete Superior	1
	Plantilla de la Pared Trasera	1
	Instrucciones de Instalación	1
	Filtros de Grasa	2
	Placa de montaje (para soportar el horno de microondas)	1
	Adaptador de Salida	1
	Bandeja de Vidrio	1
	Anillo del Plato Giratorio	1

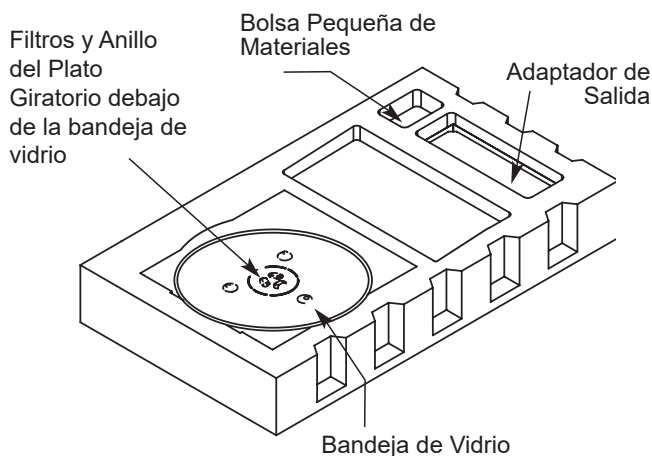
Instrucciones de Instalación

CÓMO COLOCAR EL PLATO DE MONTAJE

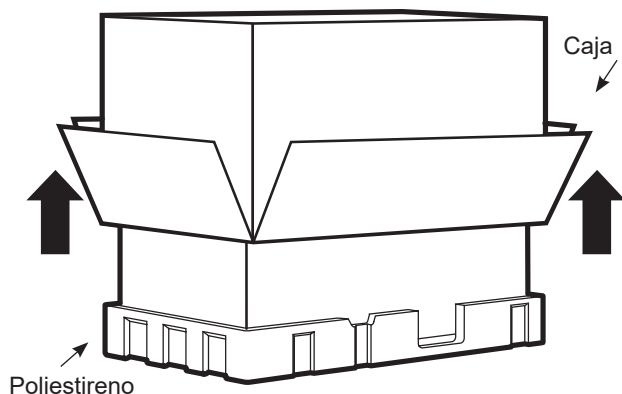
A. CÓMO REMOVER EL HORNO DEL EMBALAJE / CÓMO REMOVER EL PLATO DE MONTAJE

1. Retire las instrucciones de instalación, adaptador de salida, anillo del plato giratorio, filtros, bandeja de vidrio, y bolsa pequeña de materiales. No retire la gomaespuma que protege la parte superior del horno.

NOTA: No retire la tapa protectora del enchufe de plástico hasta haber colocado el horno. Mantenga el horno a por lo menos 8 pulgadas del extremo de la encimera para evitar caídas debido a la puerta pesada.



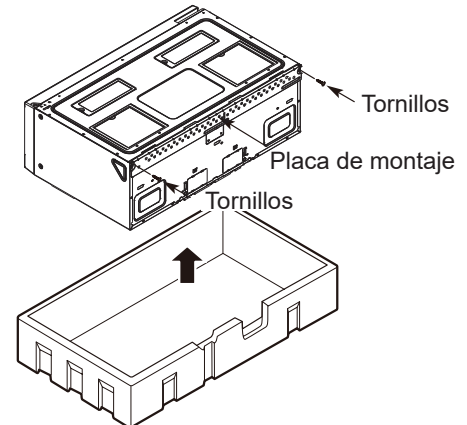
2. Pliegue hacia atrás las alas de la caja. Luego, cuidadosamente ruede el horno hasta que quede apoyado sobre la parte superior. El horno deberá descansar sobre la espuma de poliestireno.



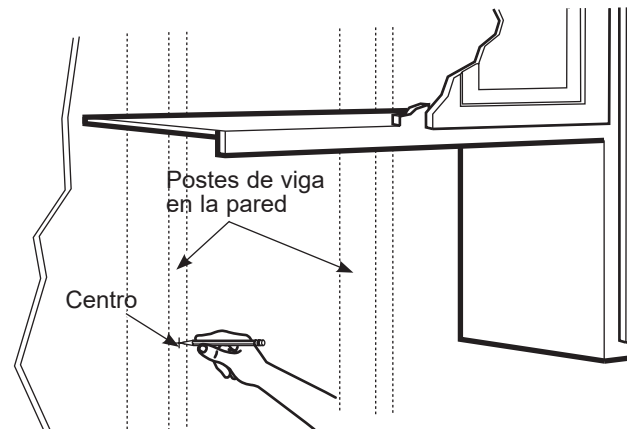
3. Vaya de la caja hacia arriba y retírela del horno.
4. Ubique el horno de forma erguida. Retire y de forma apropiada descarte las bolsas de plástico y el embalaje de gomaespuma.
5. Corte la parte intermedia de la bolsa plástica protectora exterior para retirar la placa de montaje.

A. CÓMO REMOVER EL HORNO DEL EMBALAJE / CÓMO REMOVER EL PLATO DE MONTAJE

6. Retire los tornillos de cada extremo de la placa de montaje. Esta placa se usará como plantilla de la pared trasera y para el montaje. Reinstale los tornillos en los agujeros de los cuales fueron retirados.



B. CÓMO ENCONTRAR LOS POSTES DE VIGA EN LA PARED



1. Encuentre los montantes, usando uno de los siguientes métodos:
 - A. Use un detector de postes – un dispositivo magnético que localiza clavos.
 - B. Use un martillo para golpear ligeramente a través de la superficie de montaje hasta encontrar un sonido sólido. Esto indicará que hay un poste de viga en ese lugar.
2. Después de localizar el poste o los postes de viga, encuentre el centro mediante el análisis de la pared usando un clavo pequeño para darse cuenta de dónde están los bordes del poste. Luego coloque una marca en el centro de los bordes. El centro de cualquier poste adyacente deberá ser entre 16" ó 24" desde esta marca.
3. Trace una línea hacia abajo indicando el centro del poste.

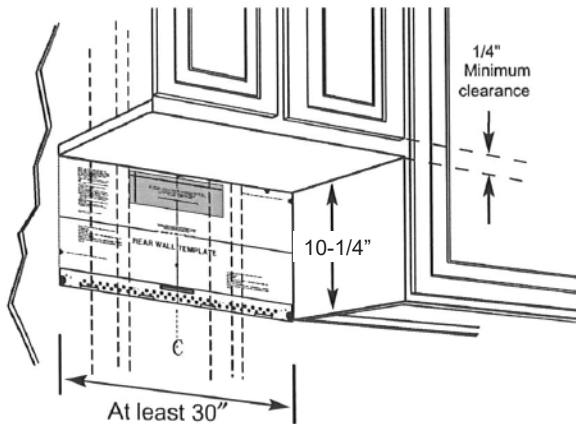
EL HORNO DEBE CONECTARSE POR LO MENOS A UN POSTE DE LA PARED.

Instrucciones de Instalación

CÓMO COLOCAR EL PLATO DE MONTAJE

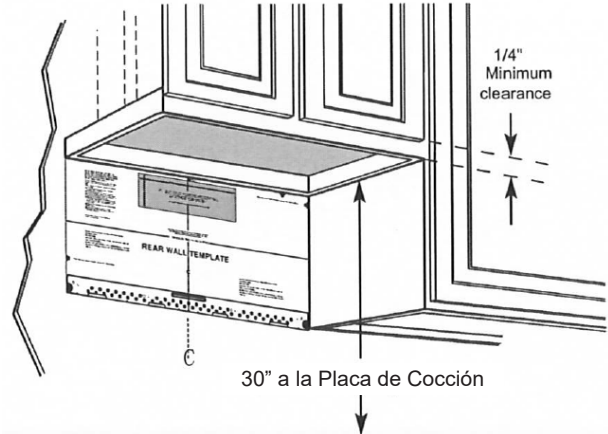
C. DETERMINACIÓN DE LA UBICACIÓN DE LA PLACA DE MONTAJE DEBAJO DE SU GABINETE

Posición de la Placa – debajo del gabinete inferior plano



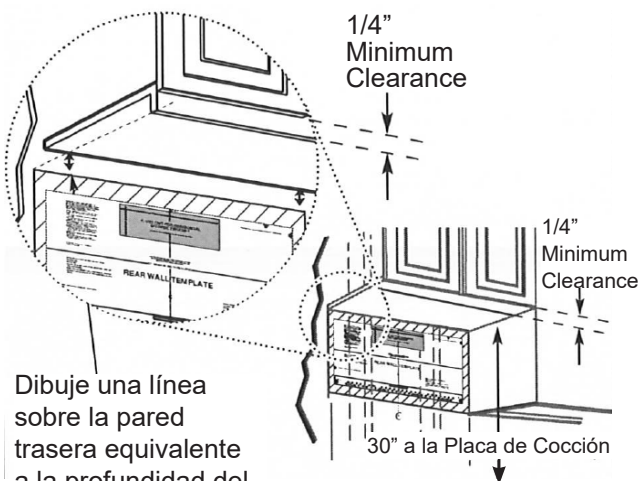
Dibuje una línea vertical en la pared en el centro del espacio de 30" de ancho. Enciente la Plantilla de la Pared Trasera sobre la pared que coincide con la línea central y que toca la parte inferior del gabinete.

Posición de la Placa – debajo del gabinete inferior empotrado con marco



Dibuje una línea vertical en la pared en el centro del espacio de 30". Enciente la Plantilla de la Pared Trasera sobre la pared que coincide con la línea central y que toca la parte inferior del marco del gabinete.

Posición de la Placa – debajo del gabinete inferior empotrado con frente saliente



Dibuje una línea sobre la pared trasera equivalente a la profundidad del frente saliente.

Es posible que sus gabinetes posean bordes decorativos que interfieran con la instalación del horno microondas. Retire el borde decorativo para instalar el horno microondas de forma adecuada y para que quede nivelado.

EL HORNO MICROONDAS DEBERÁ ESTAR NIVELADO

Use un nivel para asegurarse de que la parte inferior del gabinete esté nivelada.

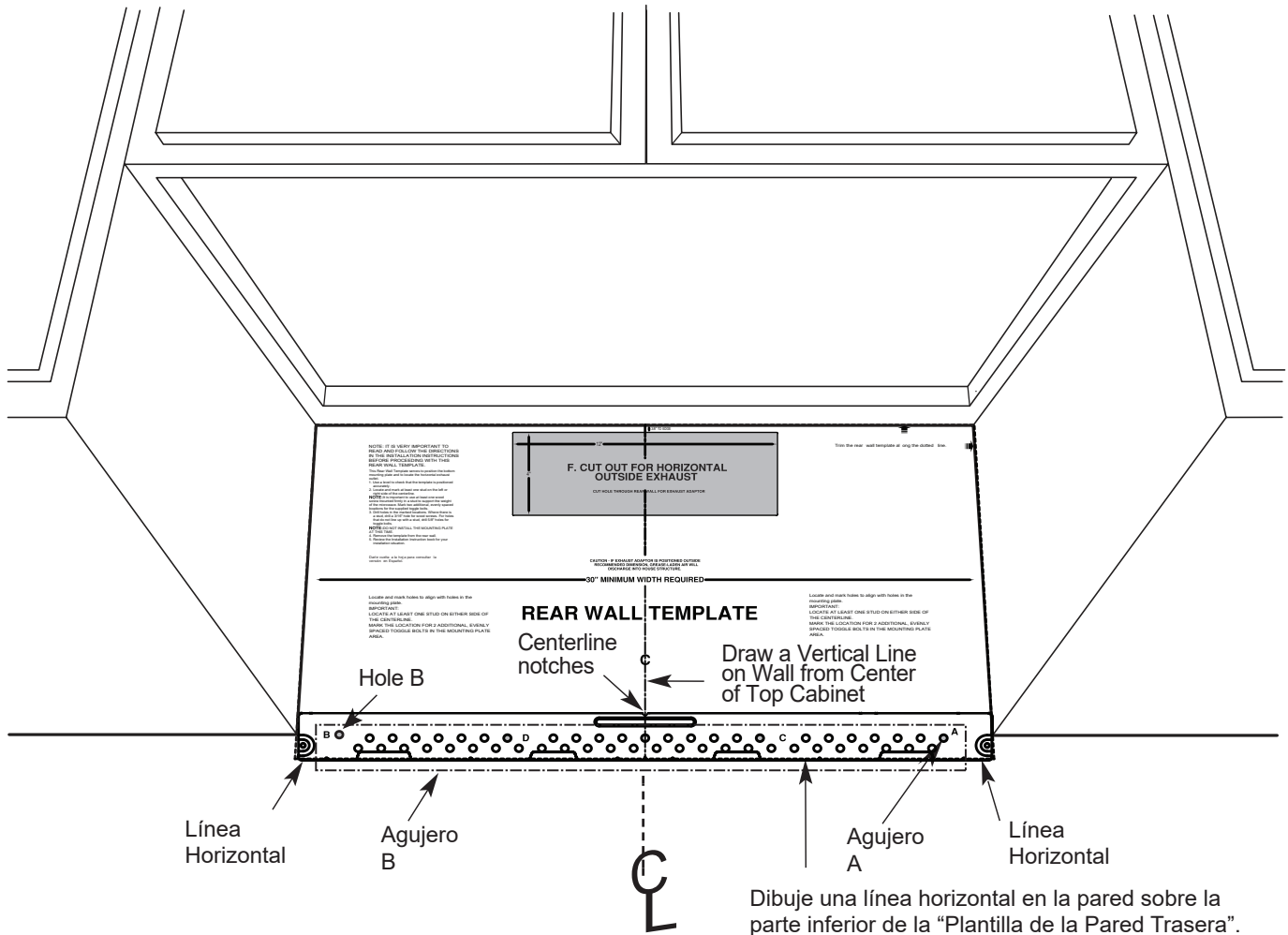
Si los gabinetes cuentan con un solo frente saliente, sin marco trasero ni lateral, instale la placa de montaje a la misma distancia que la profundidad del frente saliente. Esto mantendrá el horno microondas nivelado.

1. Mida la profundidad interna del frente saliente.
2. Dibuje una línea horizontal en la pared trasera que posea la misma distancia debajo de la parte inferior del gabinete que la profundidad interior del frente saliente.
3. Para este tipo de instalación con frente saliente únicamente, alinee La Plantilla de la Pared Trasera con esta línea horizontal sin tocar la parte inferior del gabinete, como se describe en el paso D.

Instrucciones de Instalación

CÓMO COLOCAR EL PLATO DE MONTAJE

D. MARCA DE LOS AGUJEROS DE MONTAJE



⚠ PRECAUCIÓN

Use guantes para evitar cortes de dedos en extremos puntiagudos.

⚠ ADVERTENCIA

Riesgo de Descarga Eléctrica. Puede ocasionar lesiones o la muerte. Deberá tener cuidado de no taladrar sobre cableados eléctricos dentro de paredes o gabinetes.

Esta Plantilla de la Pared Trasera sirve para ubicar los agujeros de montaje de la placa de montaje inferior y para ubicar la salida horizontal del escape.

1. Use un nivel para controlar que la plantilla esté posicionada de forma correcta.
2. Ubique y marque por lo menos un montaje sobre el lado izquierdo o derecho de la línea central.

NOTA: Es importante usar por lo menos un tornillo de madera montado de manera firme en un montaje para sostener el peso del horno microondas.

3. Marque la ubicación del agujero sobre la pared usando la plantilla en los agujeros A y B. Marque por lo menos una ubicación en el área E que se alinee con la ubicación de la viga. Se deberá usar un mínimo de tres agujeros para el montaje.

NOTA: Los agujeros A y B están dentro del área E. Si ninguno de los Agujeros A y B están en un montaje, entonces busque un montaje en alguna parte del área E y dibuje un círculo que se alinee con el montaje. Es importante usar por lo menos un tornillo de madera montado de manera firme en un montaje para sostener el peso del horno.

4. Perfore agujeros en las ubicaciones marcadas. Donde haya un montaje, haga un agujero de 3/16" para tornillos de madera. Para aquellos agujeros que no estén alineados con un montaje, haga agujeros de 5/8" para tornillos con resorte.

NOTA: NO INSTALE LA PLACA DE MONTAJE EN ESTE MOMENTO.

5. Retire la plantilla de la pared trasera.

Instrucciones de Instalación

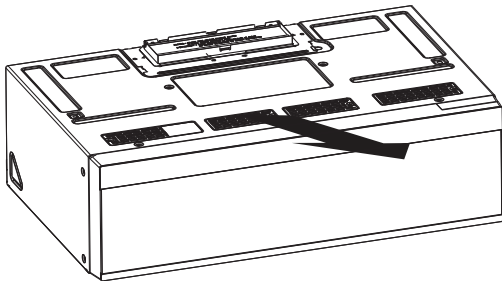
2. TIPOS DE INSTALACIÓN (Escoja A, B o C)

Este horno microondas está diseñado para adaptarse a los siguientes tres tipos de ventilación:

- A. Recirculación (Sin conducto de ventilación)
- B. Escape superior exterior (conducto vertical)
- C. Escape posterior exterior (Conducto horizontal)

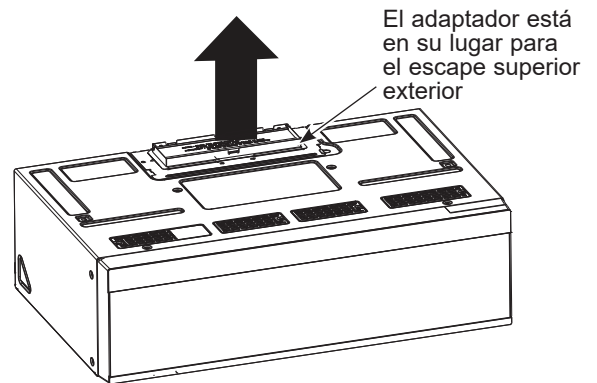
NOTA: Este horno microondas se envía ensamblado para contar con Salida Superior Hacia el Exterior (Conducto Vertical). Seleccione el tipo de ventilación requerida para su instalación y proceda a dicha sección.

A. RECIRCULACIÓN (SIN CONDUCTO DE VENTILACIÓN)



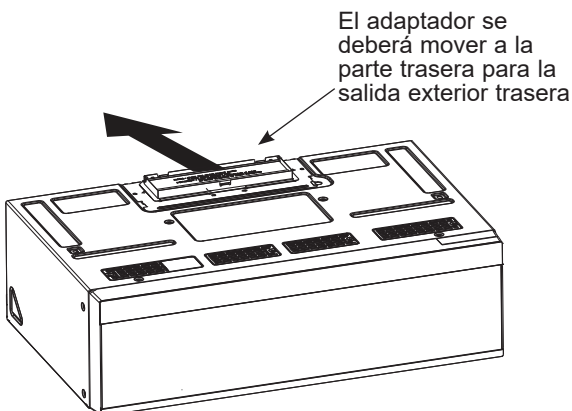
Ver página 11

C. ESCAPE SUPERIOR EXTERIOR (CONDUCTO VERTICAL)



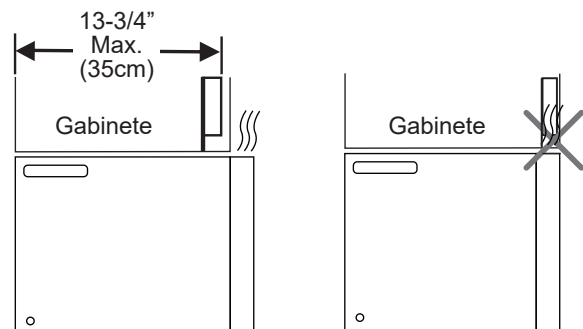
Ver página 19

B. ESCAPE POSTERIOR EXTERIOR (CONDUCTO HORIZONTAL)



Ver página 15

NOTA: Si la profundidad del gabinete, incluyendo las puertas del gabinete, es superior a la dimensión máxima mostrada, entonces el horno se deberá espaciar de la pared usando materiales adecuados que soportes 150 libras, a fin de permitir una correcta salida/ entrada del aire por la parte superior.



Instrucciones de Instalación

2. TIPOS DE INSTALACIÓN (Escoja A, B o C)

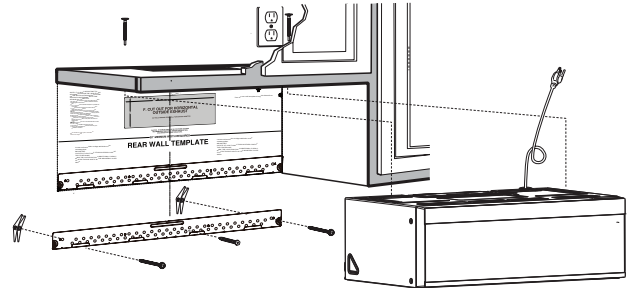
A. RECIRCULACIÓN (Sin Conductos No Ventilados)

VISIÓN GENERAL DE LA INSTALACIÓN

- A1. Adhera la placa de montaje a la pared
- A2. Use la plantilla del gabinete superior para la preparación del gabinete superior
- A3. Controle el Plato Calentador
- A4. Monte el horno microondas
- A5. Instalación/ reemplazo del filtro de carbón sin acceso a los tornillos superiores y la unidad ya fue montada

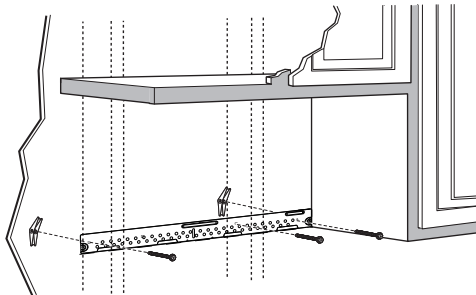
NOTAS IMPORTANTES:

- Asegúrese de que los tornillos del motor y de la placa del soplador estén ajustados de forma segura al realizar su reinstalación. Esto ayudará a evitar vibraciones excesivas.
- Asegúrese de que el cableado del motor se haya conducido y asegurado de forma correcta y que los cables no hayan sufrido cortes.



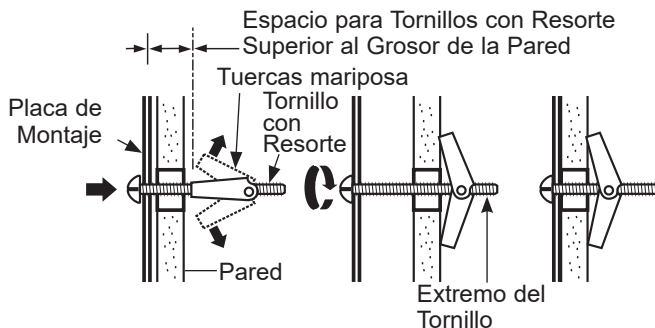
IMPORTANTE: NO retire los espaciadores de cartón entre el protector de calor y la puerta.

A1. ADHERA LA PLACA DE MONTAJE A LA PARED



Adhiera la placa a la pared usando tornillos con resortes. Por lo menos un tornillo de madera deberá ser usado para adherir la placa al montaje de pared.

1. Retire las tuercas mariposa de los tornillos.
2. Inserte los tornillos en la placa de montaje a través de los agujeros designados para entrar en la placa de yeso y vuelva a ajustar las tuercas mariposa a 3/4" sobre cada tornillo.



Para usar tornillos con resorte:

3. Coloque la placa de montaje contra la pared e inserte las tuercas mariposa en los agujeros de la pared para montar la placa.

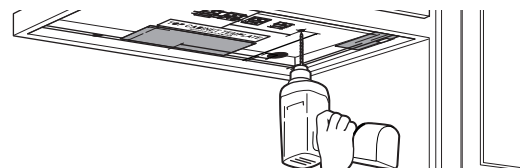
CAUTION

Tenga cuidado para evitar pellizcos en los dedos entre la parte trasera de la placa de montaje y la pared.

4. Ajuste todos los tornillos. Empuje la placa hacia afuera de la pared para ayudar a ajustar los tornillos.

A2. USE LA PLANTILLA DEL GABINETE SUPERIOR PARA LA PREPARACIÓN DEL GABINETE SUPERIOR

Es necesario hacer agujeros para los tornillos del soporte superior y un agujero lo suficientemente grande para que el



cable de corriente lo pueda atravesar.

- Lea las instrucciones sobre la PLANTILLA DEL GABINETE SUPERIOR.

- Pegue la misma debajo del gabinete superior.

NOTA: Ajuste la Plantilla Superior de forma correspondiente si el microondas se separó de la pared, debido a la profundidad del gabinete (incluyendo las puertas del gabinete), a más de 13".

- Haga los agujeros siguiendo las instrucciones en la PLANTILLA DEL GABINETE SUPERIOR.

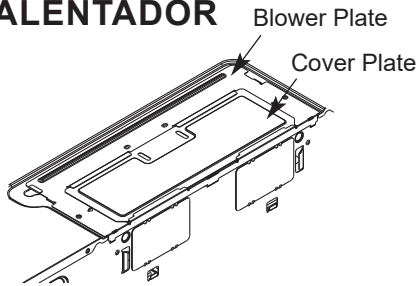
CAUTION

Use gafas de seguridad al realizar agujeros en la parte inferior del gabinete.

Instrucciones de Instalación

2. TIPOS DE INSTALACIÓN (Escoja A, B o C)

A3. CONTROLE EL PLATO CALENTADOR



- Coloque el horno en su posición erguida, de modo que la parte superior de la unidad mire hacia arriba.
- Controle que la placa del soplador y la placa de la tapa se encuentren instaladas de forma correcta en el horno.

A4. MONTAJE DEL HORNO



PARA UNA INSTALACIÓN MÁS FÁCIL Y EN POS DE LA SEGURIDAD PERSONAL, SE RECOMIENDA QUE DOS PERSONAS INSTALEN ESTE HORNO.

IMPORTANTE: No tome ni use la manija o el protector de calor durante la instalación. No retire los espaciadores de cartón entre el protector de calor y la puerta.

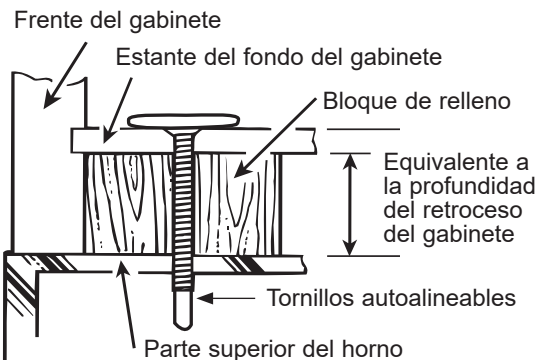
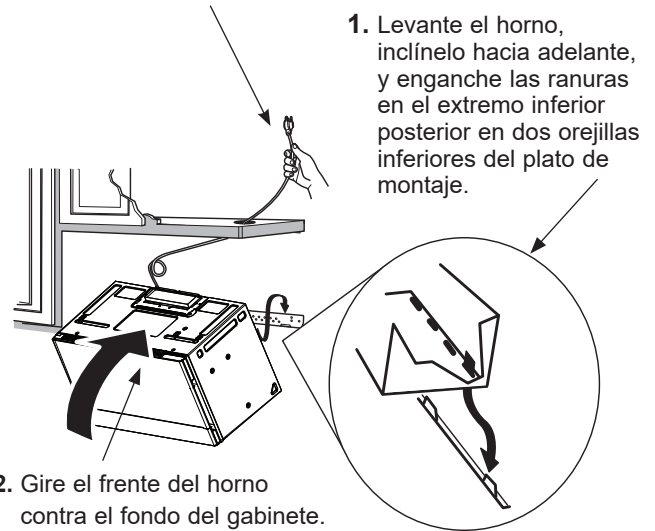
NOTA: Si su gabinete es de metal, use la arandela de nilón alrededor del cable eléctrico para evitar que el mismo sea cortado.

NOTA: Recomendamos el uso de bloques de relleno si el frente del gabinete cuelga por debajo del estante del fondo del gabinete.

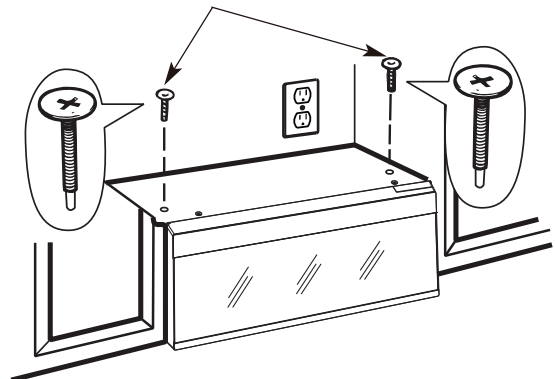
IMPORTANTE: Si no se usan bloques de relleno, podrían ocurrir daños por apretar demasiado los tornillos.

A4. MONTAJE DEL HORNO (cont)

NOTA: Cuando se encuentre montando el horno, enrosque el cable eléctrico a través del agujero en el fondo del gabinete superior. Manténgalo tenso a través de los Pasos del 1-3. No pellizque el cable ni tire el horno por el cable.



3. Pegue el horno a la parte superior del gabinete insertando dos tornillos autoalineables a través de los agujeros exteriores superiores del horno. Gire dos vueltas completas en cada tornillo. **Cerciórese de mantener el cable eléctrico estirado. Tenga cuidado de no pellizcar el cable, especialmente cuando se monte al nivel del fondo del gabinete.**

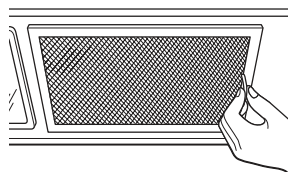


Instrucciones de Instalación

2. TIPOS DE INSTALACIÓN (Escoja A, B o C)

A4. MONTAJE DEL HORNO (cont)

4. Apriete totalmente los dos tornillos hacia el horno superior. (Mientras aprieta los tornillos, mantenga el horno en su lugar contra la pared y el gabinete superior.)



5. Instale los filtros de grasa. Ver el Manual del Propietario que viene con el horno.

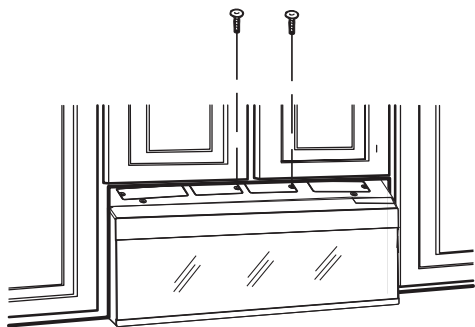
A5. QUANDO REEMPLACE EL FILTRO DE CARBONILLA

Si el modelo no tiene ventilación al exterior, el aire recirculará por un filtro de carbonilla desechable que ayuda a eliminar el humo y los olores.

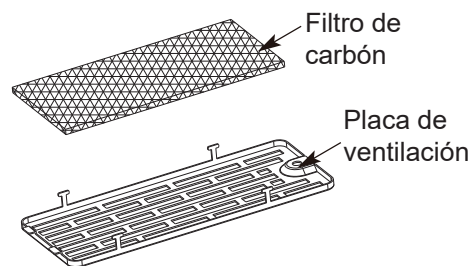
El filtro de carbonilla debe reemplazarse cuando esté visiblemente sucio o decolorado (por lo general, después de 6 a 12 meses, según el uso que se le dé a la campana). Consulte el Manual del Propietario para obtener el número de kit del filtro.

Para reemplazar el filtro de carbonilla:

1. Desenchufe el horno microondas o desconecte la corriente.
2. Retire los dos tornillos de la placa de ventilación ubicados en la parte superior del microondas, usando un destornillador Phillips n° 1.



3. Cambie el filtro de carbón de la placa de ventilación.



4. Vuelva a colocar la placa de ventilación y reinstale los dos tornillos de la placa de ventilación ubicados en la parte superior del microondas, usando un destornillador Phillips n° 1.
5. Cierre la puerta del microondas. Enchufe el horno microondas o vuelva a conectar la corriente.

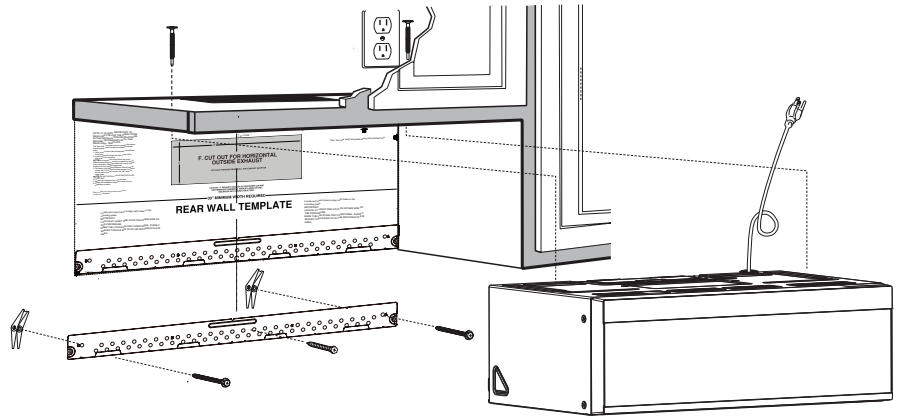
Instrucciones de Instalación

2. TIPOS DE INSTALACIÓN (Escoja A, B o C)

B. VENTILACIÓN SUPERIOR EXTERIOR (Conducto Vertical)

VISIÓN GENERAL DE LA INSTALACIÓN

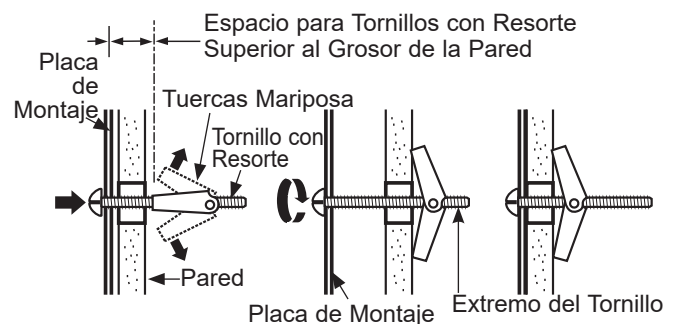
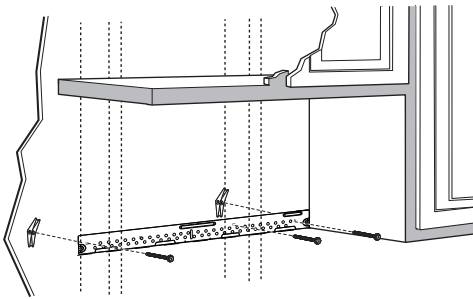
- B1. Adjunte la Placa de Montaje a la Pared
- B2. Prepare el Gabinete Superior
- B3. Adapte la Dirección del Aire del Microondas para que cuente con Salida Superior Hacia el Exterior
- B4. Controle el Funcionamiento del Regulador
- B5. Monte el Horno Microondas
- B6. Ajuste el Adaptador de la Salida
- B7. Conecte la Tubería



IMPORTANTE: NO retire los espaciadores de cartón entre el protector de calor y la puerta.

NOTAS IMPORTANTES :

- Asegúrese de que los tornillos del motor y de la placa del soplador estén ajustados de forma segura al realizar su reinstalación. Esto ayudará a evitar vibraciones excesivas.
- Asegúrese de que el cableado del motor se haya conducido y asegurado de forma correcta y que los cables no hayan sufrido cortes.



B1. ADHIERA LA PLACA DE MONTAJE A LA PARED

Adhiera la placa a la pared usando tornillos con resortes y tornillos para madera. Se deberá usar por lo menos un tornillo para madera a fin de adherir la placa al montaje de pared.

1. Retire las tuercas mariposa de los tornillos.
2. Inserte los tornillos en la placa de montaje a través de los agujeros designados para entrar en la placa de yeso y vuelva a ajustar las tuercas mariposa a 3/4" sobre cada tornillo.

PARA USAR TORNILLOS CON RESORTE:

3. Inserte las tuercas mariposa en los agujeros de la pared y coloque la placa de montaje contra la pared.

PRECAUCIÓN Tenga cuidado para evitar pellizcos en los dedos entre la parte trasera de la placa de montaje y la pared.

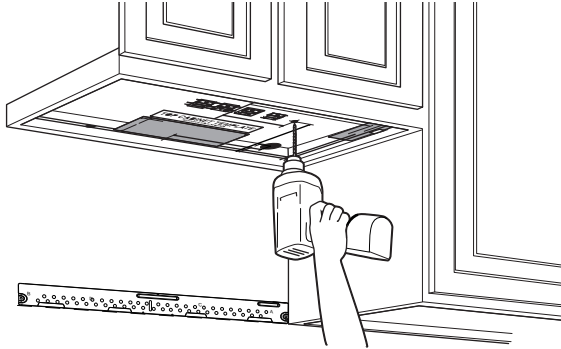
4. Ajuste todos los tornillos. Empuje la placa hacia afuera de la pared para ayudar a ajustar los tornillos.

Instrucciones de Instalación

2. TIPOS DE INSTALACIÓN (Escoja A, B o C)

B2. USE LA PLANTILLA DEL GABINETE SUPERIOR PARA LA PREPARACIÓN DEL GABINETE

Deberá perforar agujeros para los tornillos de apoyo superiores, un agujero suficientemente grande para que el cable eléctrico quepa, y un recorte lo suficientemente grande como para que el adaptador de escape pueda ser introducido.



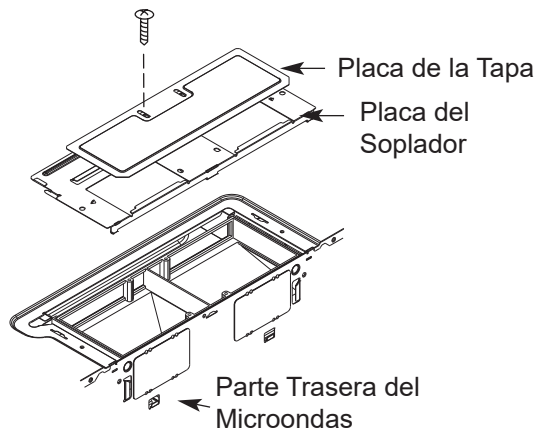
- Lea las instrucciones sobre la PLANTILLA DEL GABINETE SUPERIOR.
- Péguelo debajo del gabinete superior.
- Taladre los agujeros, siguiendo las instrucciones en la PLANTILLA DEL GABINETE SUPERIOR.

⚠ PRECAUCIÓN

Use gafas de seguridad cuando perforo los agujeros en el fondo del gabinete.

B3. ADAPTE LA DIRECCIÓN DEL AIRE DEL MICROONDAS PARA QUE CUENTE CON SALIDA SUPERIOR HACIA EL EXTERIOR

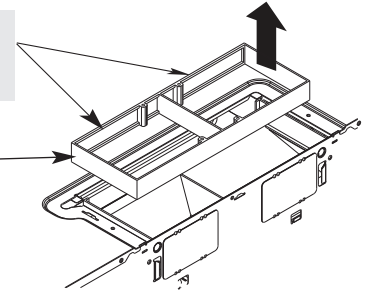
1. Retire el tornillo que sostiene la placa del soplador sobre el microondas. Retire la placa de la tapa.



2. Con cuidado empuje hacia fuera el DIRECTOR DE AIRE.

Antes : Las Aberturas Miran Hacia Adelante

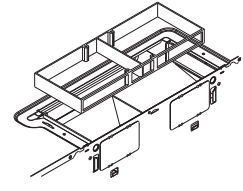
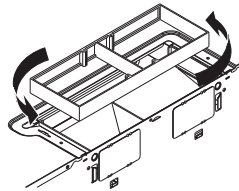
Director de Aire



3. Gire el director de aire 180° en sentido antihorario.

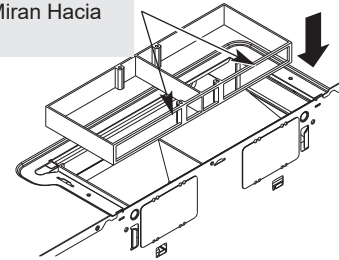
Antes de la Rotación

Después de la Rotación

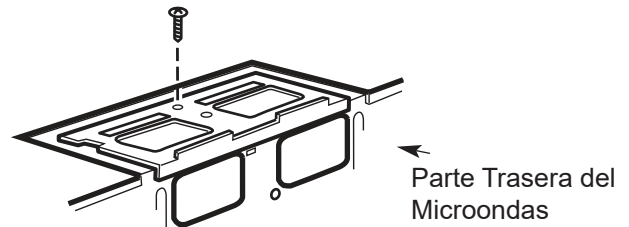


4. Vuelva a colocar el director de aire en la abertura.

Después: Las Aberturas del Director de Aire Miran Hacia Atrás



5. Vuelva a colocar la placa del soplador con el tornillo retirado en el Paso 1. Asegúrese de que el tornillo esté ajustado.

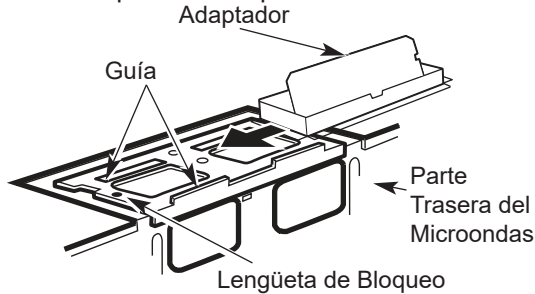


Instrucciones de Instalación

2. TIPOS DE INSTALACIÓN (Escoja A, B o C)

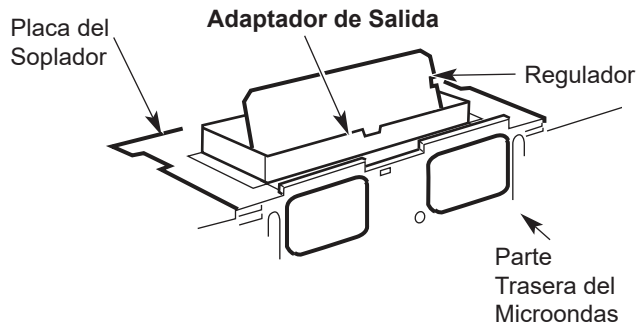
B3. ADAPTE LA DIRECCIÓN DEL AIRE DEL MICROONDAS PARA QUE CUENTE CON SALIDA SUPERIOR HACIA EL EXTERIOR

6. Adhiera el adaptador de salida a la parte superior de la placa del soplador, deslizando el mismo sobre las guías de la placa del soplador.



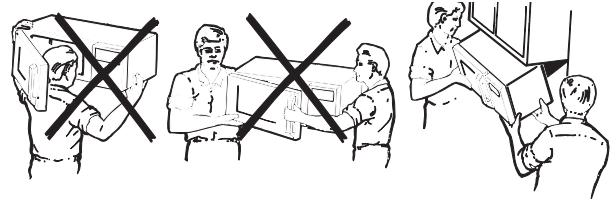
7. Presione de forma segura hasta que calce sobre las lengüetas de bloqueo. De forma cuidadosa, asegúrese de que la bisagra del regulador se instale de modo tal que el regulador se desplace de forma libre.

B4. CONTROLE EL CORRECTO FUNCIONAMIENTO DEL REGULADOR OPERATION



- Asegúrese de retirar la cinta que ajusta el regulador y que éste pivotee con facilidad antes de montar el microondas.
- Deberá hacer ajustes para asegurar una alineación correcta con el conducto de salida de su hogar luego de instalar el microondas.

B5. CÓMO MONTAR EL HORNO



PARA OBTENER UNA INSTALACIÓN MÁS FÁCIL Y EN POS DE LA SEGURIDAD PERSONAL, SE RECOMIENDA QUE **DOS PERSONAS INSTALEN ESTE HORNO.**

IMPORTANTE: No tome ni use la manija o el protector de calor durante la instalación. No retire los espaciadores de cartón entre el protector de calor y la puerta.

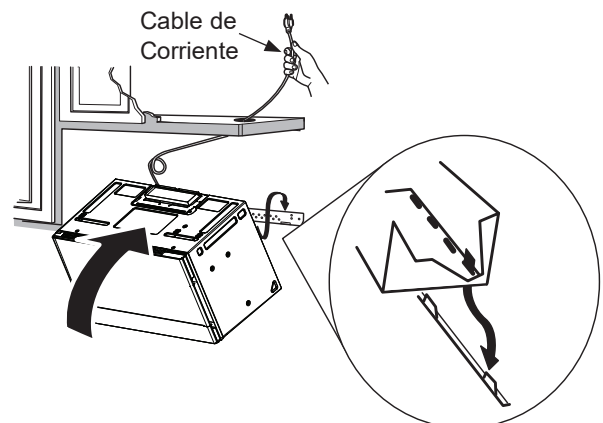
NOTA: Si su gabinete es de metal, use la arandela de nilón alrededor del cable eléctrico para evitar que el mismo sea cortado.

NOTA: Recomendamos el uso de bloques de relleno si el frente del gabinete cuelga por debajo del estante del fondo del gabinete.

IMPORTANTE: Si no se usan bloques de relleno, podrían ocurrir daños por apretar demasiado los tornillos.

NOTA: Al montar el horno microondas, haga pasar el cable de corriente a través del agujero de la parte inferior del gabinete superior. Mantenga el mismo apretado siguiendo los Pasos 1 a 3. Evite cortes en el cable o que se levante el horno microondas por tirar del cable.

1. Levante el horno microondas, incline el mismo hacia adelante, y enganche las ranuras en el extremo inferior trasero sobre las cuatro lengüetas inferiores de la placa de montaje.

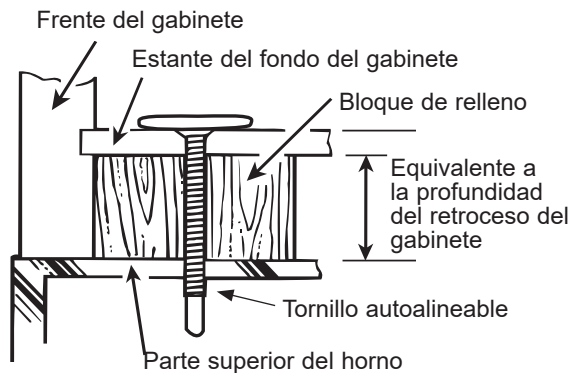


2. Gire el frente del horno microondas contra la parte inferior del gabinete.

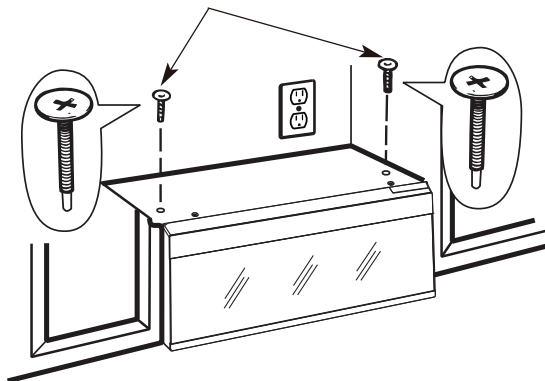
Instrucciones de Instalación

2. TIPOS DE INSTALACIÓN (Escoja A, B o C)

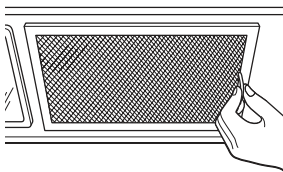
B5. CÓMO MONTAR EL HORNO (cont)



3. Pegue el horno a la parte superior del gabinete insertando dos tornillos autoalineables a través de los agujeros exteriores superiores del horno. Gire dos vueltas completas en cada tornillo. **Cerciórese de mantener el cable eléctrico estirado. Tenga cuidado de no pellizcar el cable, especialmente cuando se monte al nivel del fondo del gabinete.**



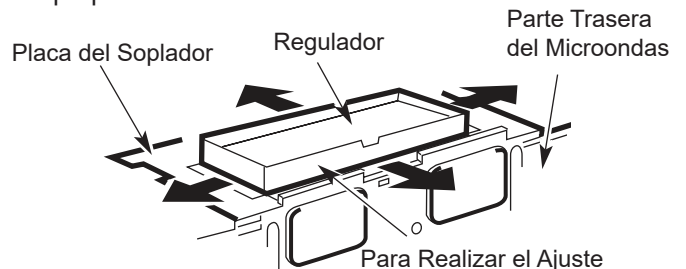
4. Apriete completamente los dos tornillos hacia la parte de arriba del horno. (Mientras aprieta los tornillos, mantenga el horno en su lugar contra la parte y el gabinete superior).



5. Instale los filtros de grasa. Ver el Manual del Propietario que viene con el horno.

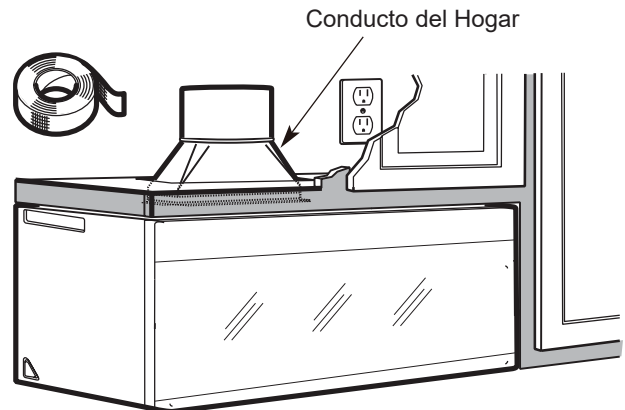
B6. CÓMO AJUSTAR EL ADAPTADOR DE ESCAPE

Abra el gabinete superior y ajuste el adaptador de escape para conectarlo al conducto de la casa..



Para Realizar el Ajuste del Frente a la Parte Trasera o de un Lado a Otro, Deslice el Adaptador de Salida según sea necesario.

B7. CÓMO CONECTAR EL CONDUCTO



1. Extienda el conducto de la casa hacia abajo para conectarlo con el adaptador de escape.
2. Selle las uniones del conducto de salida usando cinta para conductos de horno adecuadas para aplicaciones en altas temperaturas.

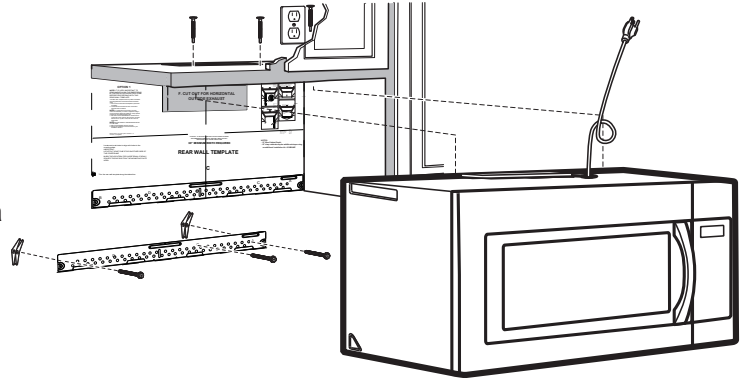
Instrucciones de Instalación

2. TIPOS DE INSTALACIÓN (Escoja A, B o C)

C. VENTILACIÓN EXTERIOR TRASERA (Conducto Horizontal)

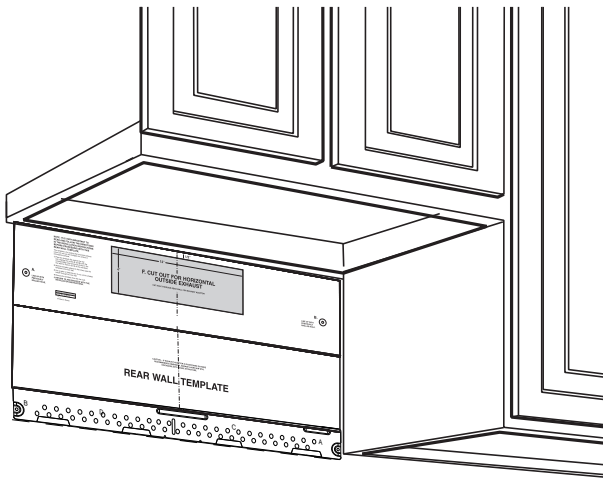
VISIÓN GENERAL DE LA INSTALACIÓN

- C1. Prepare la Pared Trasera
- C2. Adjunte la Placa de Montaje a la Pared
- C3. Prepare el Gabinete Superior
- C4. Retire el Plato Calentador
- C5. Adapte la Dirección del Aire del Microondas para que cuente con Salida Trasera Hacia el Exterior
- C6. Monte el Horno Microondas



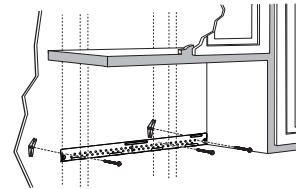
C1. PREPARACIÓN DE LA PARED TRASERA PARA EL ESCAPE EXTERNO TRASERO

Es necesario cortar una abertura en la pared trasera del escape externo.



- Lea las instrucciones sobre la PLANTILLA DE LA PARED TRASERA.
- Pegue la misma a la pared trasera, alineándola con los agujeros previamente perforados A y B en la placa de montaje.
- Corte la apertura, siguiendo las instrucciones de la PLANTILLA DE LA PARED TRASERA.

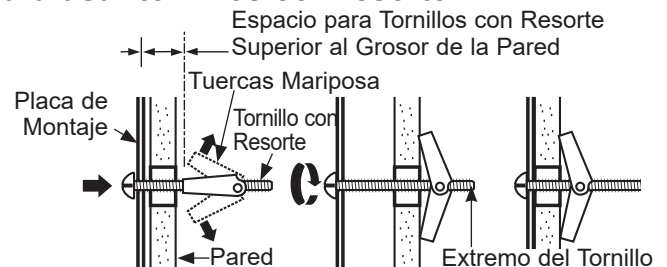
C2. ADHIERA LA PLACA DE MONTAJE A LA PARED



Adhiera la placa a la pared usando tornillos con resortes. Por lo menos un tornillo de madera deberá ser usado para adherir la placa al montaje de pared.

1. Retire las tuercas mariposa de los tornillos.
2. Inserte los tornillos en la placa de montaje a través de los agujeros designados para entrar en la placa de yeso y vuelva a ajustar las tuercas mariposa a 3/4" sobre cada tornillo.

Para usar tornillos con resorte:



3. Coloque la placa de montaje contra la pared e inserte las tuercas mariposa en los agujeros de la pared para montar la placa

⚠ PRECAUCIÓN Tenga cuidado para evitar pellizcos en los dedos entre la parte trasera de la placa de montaje y la pared.

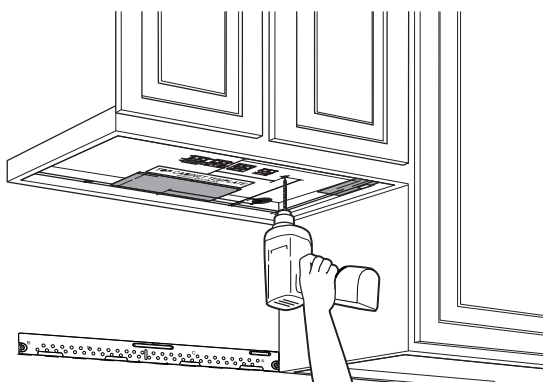
4. Ajuste todos los tornillos. Empuje la placa hacia afuera de la pared para ayudar a ajustar los tornillos.

Instrucciones de Instalación

2. TIPOS DE INSTALACIÓN (Escoja A, B o C)

C3. USE LA PLANTILLA DEL GABINETE SUPERIOR PARA PREPARAR EL GABINETE SUPERIOR

Necesita perforar agujeros para los tornillos de apoyo superiores y un agujero suficientemente grande para que el cable eléctrico quepa. .

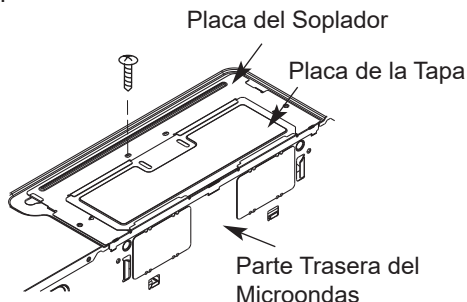


- Lea las instrucciones sobre la PLANTILLA DEL GABINETE SUPERIOR.
- Péguela debajo del gabinete superior.
- Taladre los agujeros, siguiendo las instrucciones en la PLANTILLA DEL GABINETE SUPERIOR.

PRECAUCIÓN Use gafas de seguridad cuando perfore los agujeros en el fondo del gabinete.

C4. RETIRE EL PLATO CALENTADOR

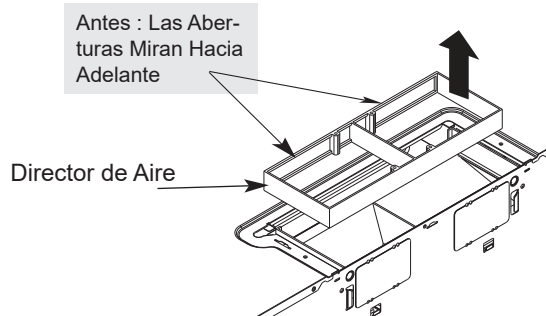
- Retire y guarde el tornillo que sostiene la placa del soplador sobre el microondas. Levante la placa del soplador



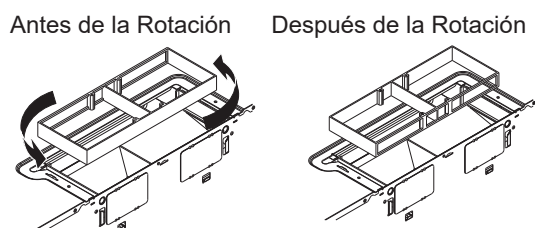
- La placa de la tapa se instaló con la placa del soplador y no es necesaria su desinstalación.

C5. ADAPTE LA DIRECCIÓN DEL AIRE DEL MICROONDAS PARA UNA SALIDA TRASERA HACIA EL EXTERIOR

1. Con cuidado empuje hacia afuera el DIRECTOR DE AIRE.

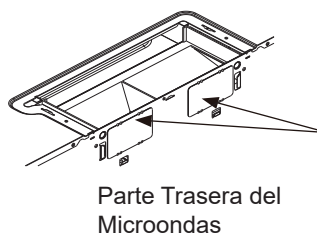


2. Gire el director de aire 180° en sentido antihorario.



3. Retire las placas preperforadas en la parte trasera del microondas con recortes. (Para algunos modelos).

Placas Preperforadas:



Recorte las 4 redes en cada panel preperforado y retire las preperforaciones metálicas para el flujo de aire trasero. Por favor, tenga el cuidado de retirar cualquier extremo punzante creado luego de retirar las placas preperforadas.

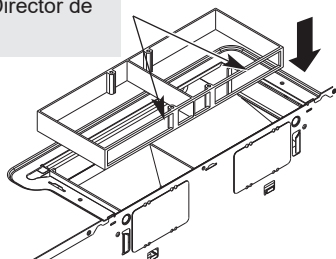
Instrucciones de Instalación

2. TIPOS DE INSTALACIÓN (Escoja A, B o C)

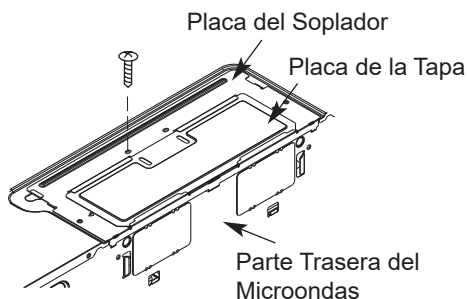
C5. ADAPTING MICROWAVE AIR DIRECTOR FOR OUTSIDE BACK EXHAUST

4. Vuelva a colocar el director de aire en la abertura.

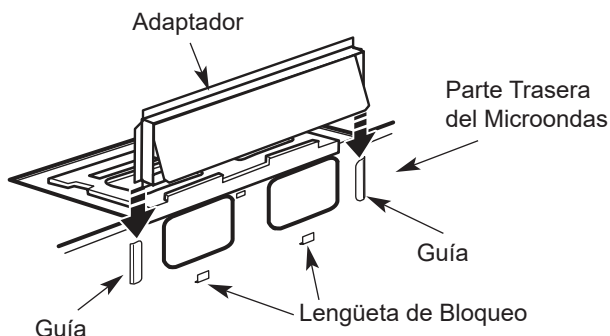
Después: Las Aberturas del Director de Aire Miran Hacia Atrás



5. Asegure la placa del soplador al microondas con el tornillo original.

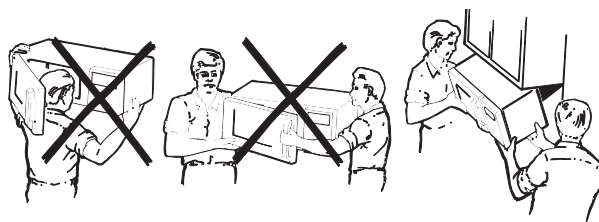


6. Adhiera el adaptador de salida a la parte trasera del horno, deslizando el mismo sobre las guías de la parte superior central de la parte trasera del horno.



7. Presione de forma segura hasta que calce sobre las lengüetas de bloqueo inferiores. De forma cuidadosa, asegúrese de que la bisagra del regulador se instale de modo que se quede en la parte superior y que el regulador se desplace de forma libre.

C6. MONTAJE DEL HORNO



PARA UNA INSTALACIÓN MÁS FÁCIL Y EN POS DE LA SEGURIDAD PERSONAL, SE RECOMIENDA QUE DOS PERSONAS INSTALEN ESTE HORNO.

IMPORTANTE: No tome ni use la manija o el protector de calor durante la instalación. No retire los espaciadores de cartón entre el protector de calor y la puerta.

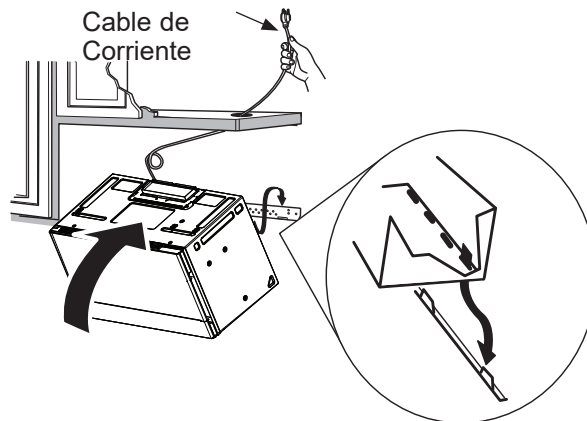
NOTA: Si su gabinete es de metal, use la arandela de nilón alrededor del cable eléctrico para evitar que el mismo sea cortado.

NOTA: Recomendamos el uso de bloques de relleno si el frente del gabinete cuelga por debajo del estante del fondo del gabinete.

IMPORTANTE: Si no se usan bloques de relleno, podrían ocurrir daños por apretar demasiado los tornillos.

NOTA: Al montar el horno microondas, haga circular el cable de corriente a través del agujero de la parte inferior del gabinete superior. Mantenga el mismo ajustado siguiendo los Pasos 1 a 3. Evite cortes en el cable o que se levante el horno microondas por tirar del cable.

1. Levante el horno microondas, incline el mismo hacia adelante, y enganche las ranuras en el extremo inferior trasero sobre las cuatro lengüetas inferiores de la placa de montaje.

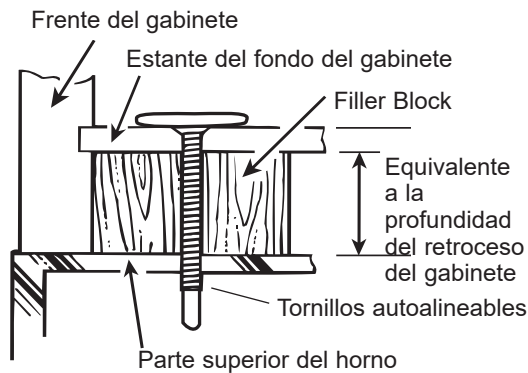


2. Gire el frente del horno contra la parte inferior del gabinete.

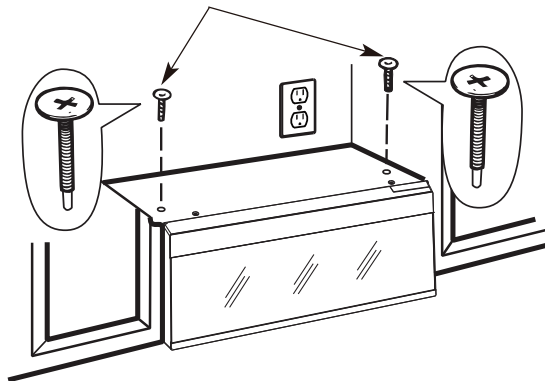
Instrucciones de Instalación

2. TIPOS DE INSTALACIÓN (Escoja A, B o C)

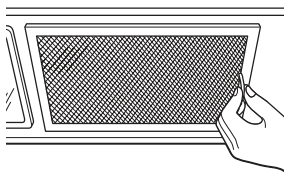
C6. MONTAJE DEL HORNO (cont)



3. Pegue el horno a la parte superior del gabinete insertando dos tornillos autoalineables a través de los agujeros exteriores superiores del horno. Gire dos vueltas completas en cada tornillo. Cerciérese de mantener el cable eléctrico estirado. Tenga cuidado de no pellizcar el cable, especialmente cuando se monte al nivel del fondo del gabinete.



4. Apriete totalmente los dos tornillos hacia el horno superior. Mientras aprieta los tornillos, mantenga el horno en su lugar contra la pared y el gabinete superior..



5. Instale los filtros de grasa. Ver el Manual del Propietario que viene con el horno.

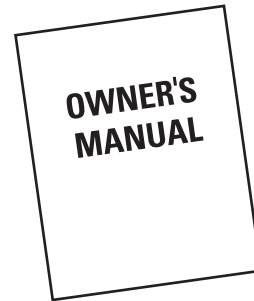
Instrucciones de Instalación

ANTES DE USAR EL HORNO MICROONDAS

1. Asegúrese de que el horno microondas haya sido instalado de acuerdo con las instrucciones.



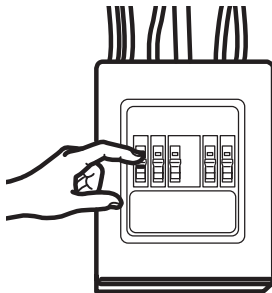
6. Lea la sección de Uso y Cuidado Rápido.



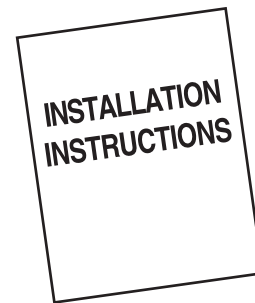
2. Retire todos los materiales de embalaje del horno microondas.

3. Instale el plato giratorio y el anillo del plato giratorio en la cavidad.

4. Reemplace el fusible del hogar o vuelva a activar el disyuntor.



7. MANTENGA LAS INSTRUCCIONES DE INSTALACIÓN PARA USO DEL INSPECTOR LOCAL.



5. **Modelos de 120 V:** Enchufe el cable de corriente en un tomacorriente eléctrico específico de 15 a 20 amp.



Cuando se encuentre un tomacorriente de pared de dos enchufes, es muy importante reemplazarlo por uno conectado a tierra de forma adecuada de tres cables, instalado por un electricista calificado.