

GTW485ASJ

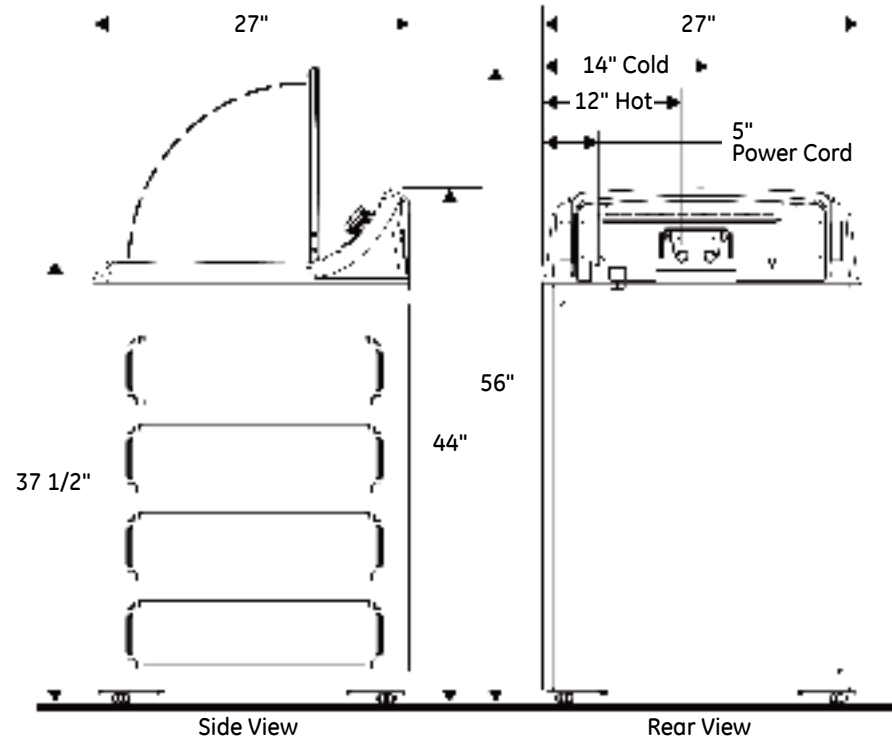
GE® Series 4.2 DOE Cu. Ft. Stainless Steel Capacity Washer

DIMENSIONS AND INSTALLATION INFORMATION (IN INCHES)

CIRCUIT REQUIREMENTS: An individual, properly-grounded branch circuit, with a three-prong grounding-type receptacle, protected by a 15 or 20 amp circuit breaker or a time-delay fuse, is required. Electrical Rating: 120V, 60Hz, 10A

NOTE: Washer wall outlet must be located within 36" of service code entry. Wall outlet must not be located behind dryer.

INSTALLATION INFORMATION: Before installing, consult installation instructions packed with product for current dimensional data.



GE APPLIANCES

For answers to your Monogram®, GE Profile™ Series or GE® Series appliance questions, visit our website at geappliances.com or call GE Answer Center® service, 800.626.2000.



Listed by
Underwriters
Laboratories

Specification Created 7/15

GTW485ASJ

GE® Series 4.2 DOE Cu. Ft. Stainless Steel Capacity Washer

FEATURES AND BENEFITS

ENERGY STAR® qualified – Meets or exceeds federal guidelines for energy efficiency for year-round energy and money savings

Deep Fill – Adds more water for larger loads

Dual-Action Agitator – Provides gentle, dual-wash action

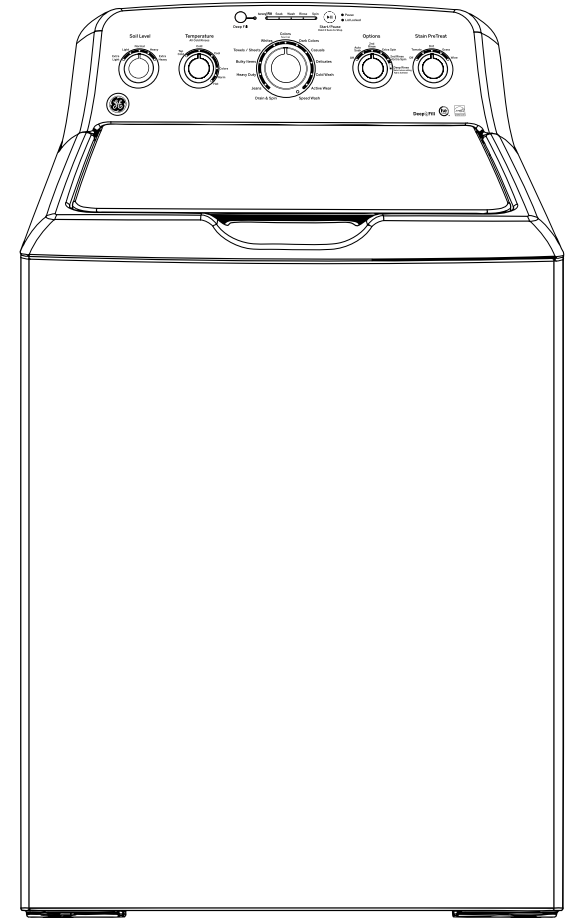
Deep Rinse – Removes any leftover soap residue

Auto Soak – Loosens stains by soaking up to 2 hours

Speed Wash – Delivers ready-to-go results within minutes

Stain PreTreat – Assists removing tough stains with preprogrammed settings that modify your cycle to treat the four most common stains

Model GTW485ASJWS – White with silver backsplash



| | |
|--------------------------------------|------|
| MODIFIED ENERGY FACTOR (IMEF) | 2.06 |
| WATER FACTOR (IWF) | 4.3 |



GE APPLIANCES