

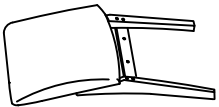
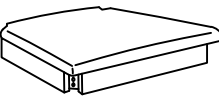

ASSEMBLY INSTRUCTIONS

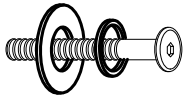
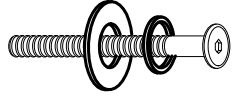
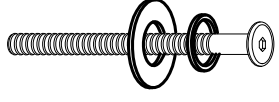

Item No : D3434-20
KODY UPHOLSTERED DINING CHAIR
(2PCS PER CARTON)

Thank you for purchasing this quality product. Be sure to check all packing materials carefully for small parts, which may have come loose inside the carton during shipment. Identify and count all items and compare with the parts list and/or hardware list shown below.

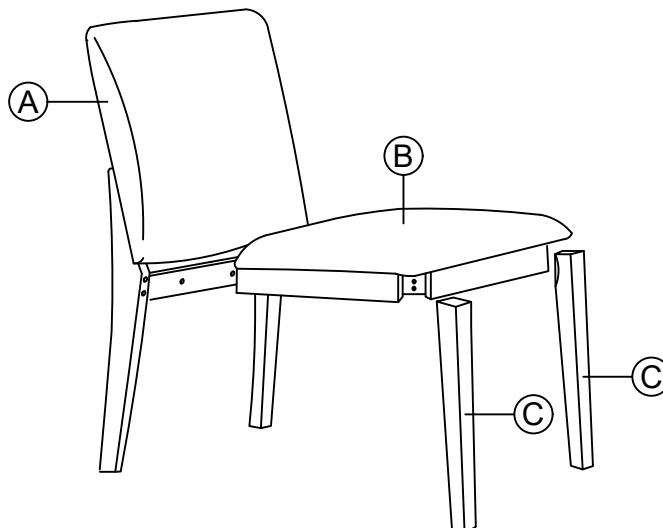
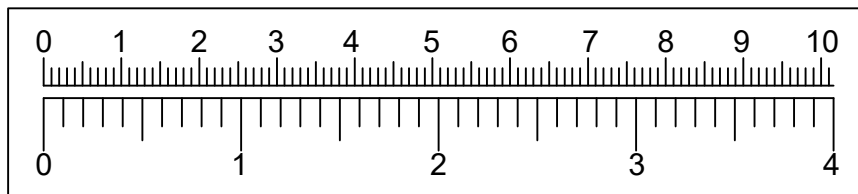
Cautions :

- (1) Do not fully-tighten the nut or nut bolts initially until all nuts or bolt is ready assembled.
 (To avoid causing damages to the thread, do not over-tighten the nuts or bolts.)
- (2) Keep all hardware part out of reach of children.

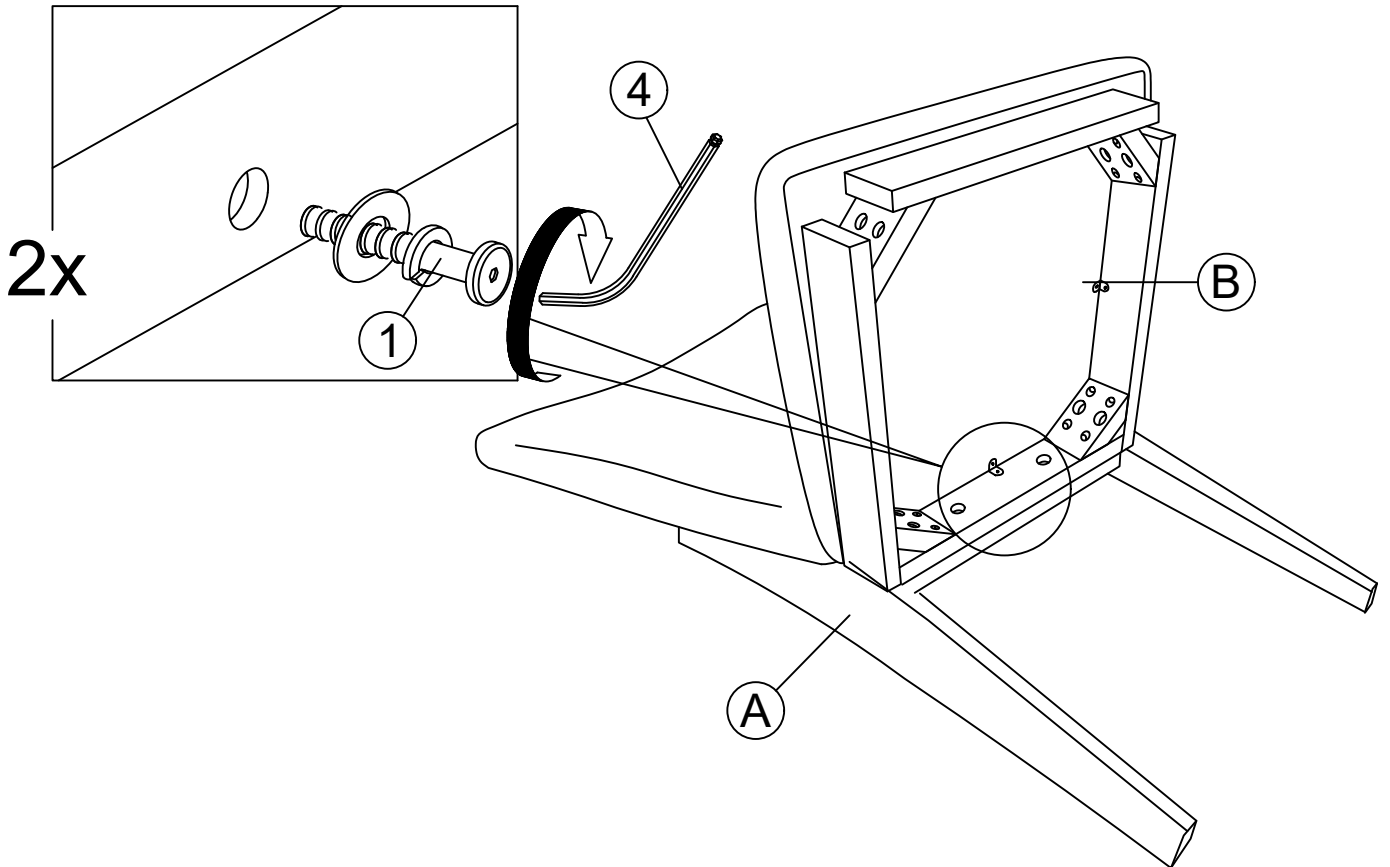
PARTS LIST			
NO	DESCRIPTION	SKETCH	QTY
A	CHAIR BACK		2 PCS
B	SEAT FRAME WITH CUSHION		2 PCS
C	FRONT LEG		4 PCS

HARDWARE LIST			
NO	DESCRIPTION	SKETCH	QTY
1	SHORT BOLT 1/4" X 1 5/8" WITH LOCK WASHER & WASHER		4 PCS
2	MEDIUM BOLT 1/4" X 2 3/8" WITH LOCK WASHER & WASHER		8 PCS
3	LONG BOLT 1/4" X 3 3/16" WITH LOCK WASHER & WASHER		8 PCS
4	ALLEN KEY		1 PC

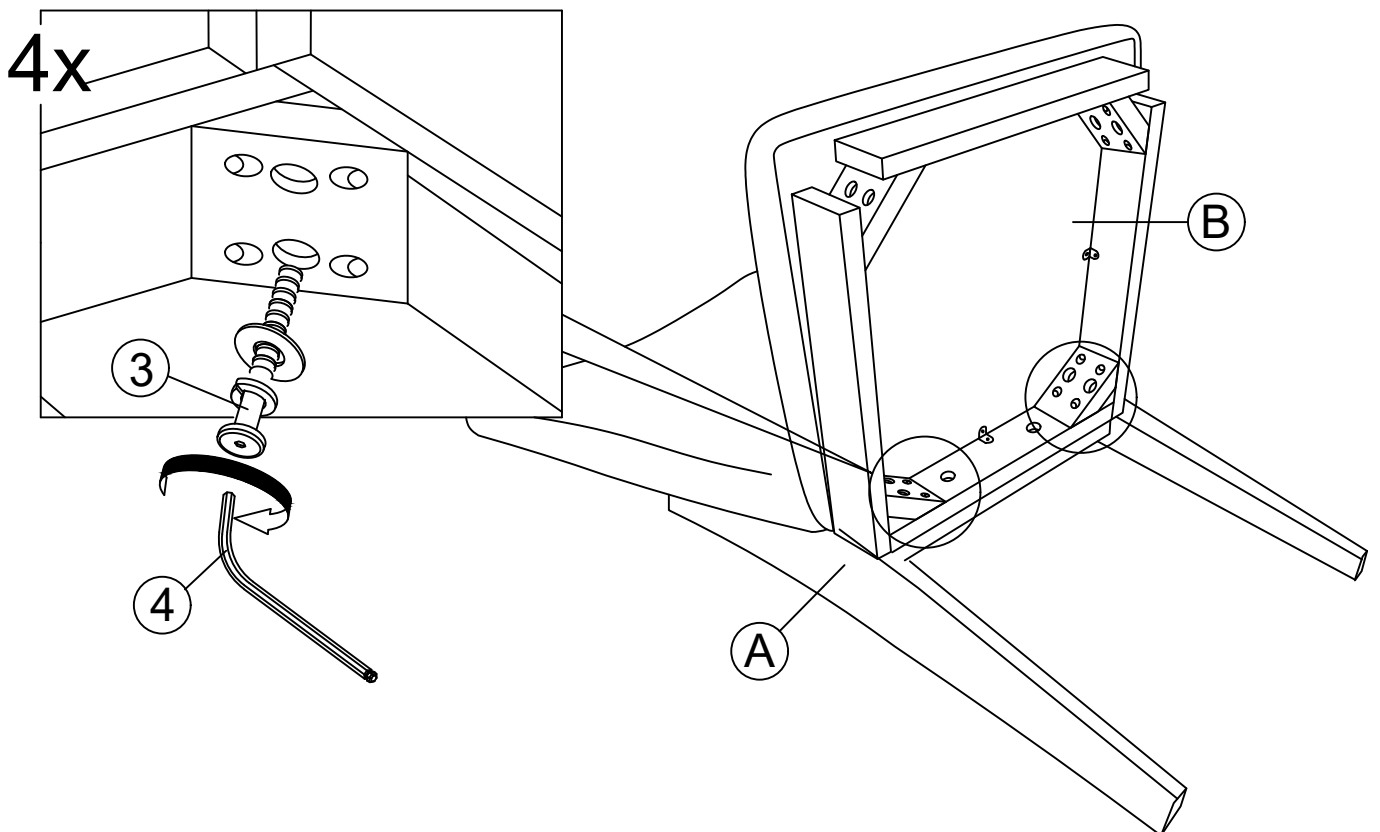
WEIGHT CAPACITY	250 pounds (per seat)
-----------------	-----------------------



STEP 1 : Assemble the seat frame with cushion (B) with the chair back (A) using the Allen Key (4) with hardware (1).

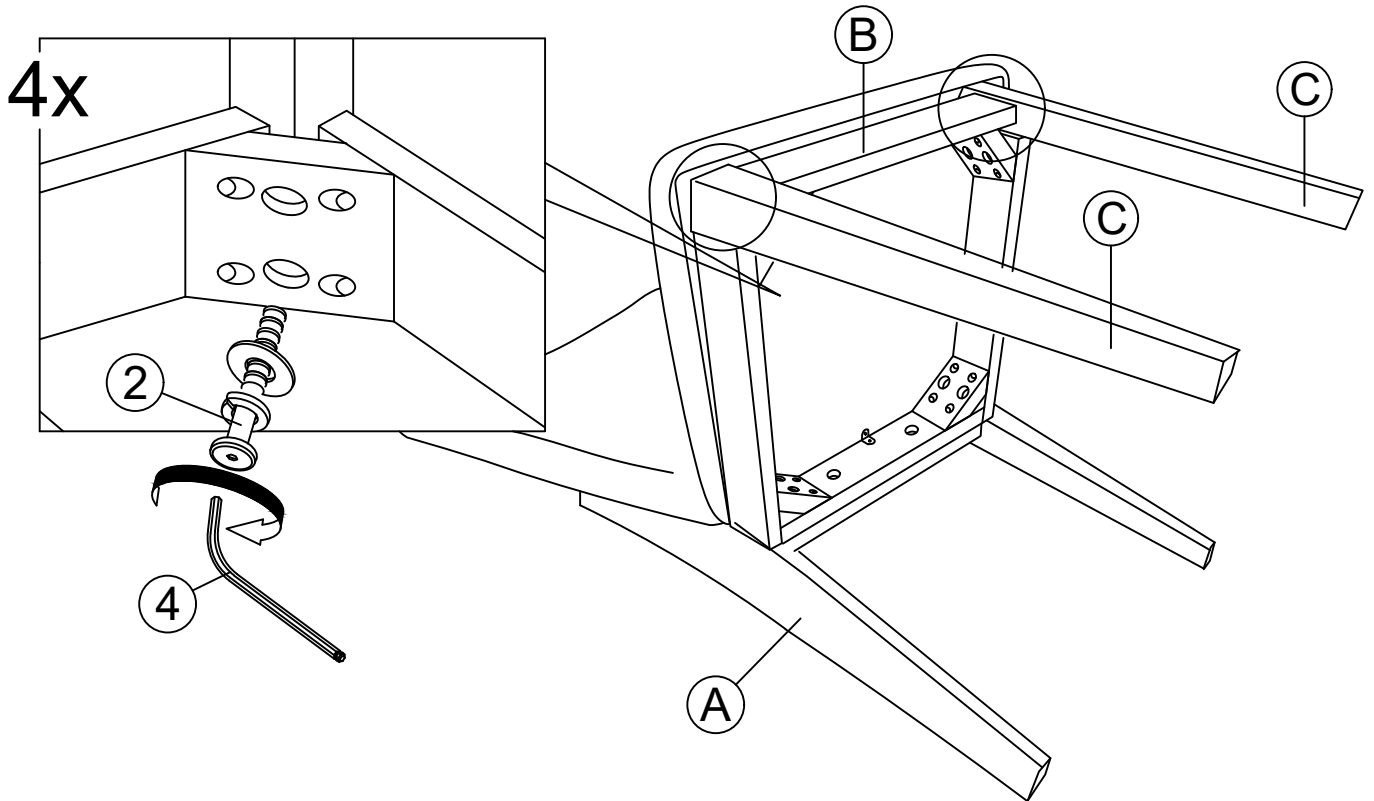


STEP 2 : Attach the seat frame with cushion (B) with the back legs of the chair back (A) by using the Allen Key (4) with hardware (3).
**Attention: DO NOT TIGHTEN THE BOLTS.

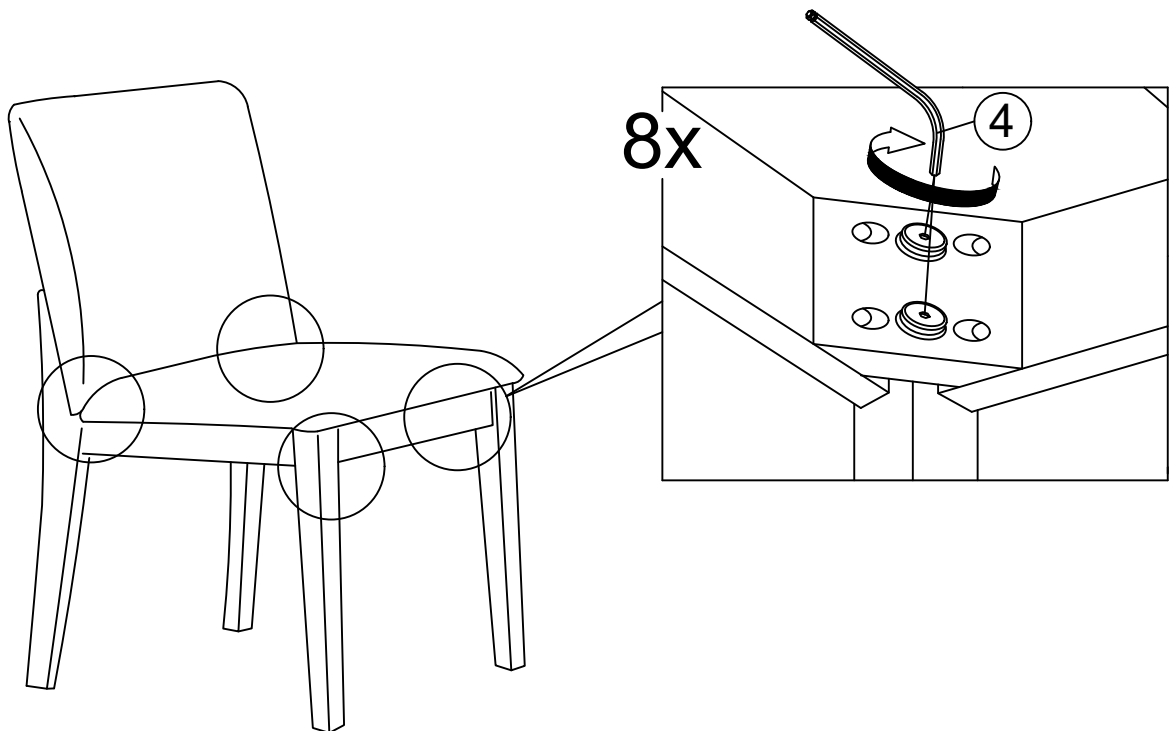


STEP 3 : Assemble the legs (C) with the seat frame with cushion (B) by using Allen key (4) with hardware (2).

**Attention: DO NOT TIGHTEN THE BOLTS.



STEP 4 : To level the chair, stand the chair up on a flat surface and tighten all the bolts by using Allen Key (4).



COMPLETED ASSEMBLY.

