

# 24" Bar Handle Dishwasher



Benchmark™ Series – Stainless Steel SHX9PCM5N



**SHX9PCM5N**  
Stainless Steel

**PowerControl™ spray arm targets your dirtiest dishes with a deeper clean, no matter where you load them on the bottom rack.**

## Features & Benefits

So quiet at 39 dBA, TimeLight® shines time remaining on the floor so you know the dishwasher is running.

Patented CrystalDry™ technology transforms moisture into heat to get dishes, including plastics, 60% drier.\*

The Flexible 3rd Rack with fold down sides adds 30% more\* loading area, perfect for utensils and ramekins.

The EasyGlide™ Plus rack system takes gliding up a notch by using premium ball-bearing wheels to provide an even smoother glide on all three racks for easier loading and unloading.

General Properties	
Wash cycles (control panel)	5 (Heavy, Auto, Normal, Speed60 (1hr Wash), Favorite)
Additional wash cycles (in Home Connect®)	4 (Express, Rinse, Delicate, MachineCare)
Options (control panel)	4 (Sanitize, Remote Start, Crystal Dry, PowerControl Options)
Additional options (in Home Connect®)	4 (Half Load, SpeedPerfect, ExtraScrub, Eco)
dBA	39 dBA
Wash system	PrecisionWash® with PowerControl™
Drying system	CrystalDry™
Third rack	Flexible 3rd Rack
Rack adjustability	Rackmatic®
Tub material	Stainless Steel
Concealed water heating element	Yes
Leak protection system	24/7 AquaStop®
Home Connect® (WiFi enabled)	Yes
NSF®-certified** sanitize option	Yes
Water softener	Yes
Five-level wash	Yes
Child Lock button suspension	No
Anti-Fingerprint Finish	Yes
Special features	CrystalDry™ Option, TimeLight®, Interior Light, EasyGlide® Plus rack system
Efficiency	
Water usage per cycle	3.2 gal
ENERGY STAR® Certified	Yes
Total annual energy consumption	240 kWh

## Capacity

Number of place settings 16

## Technical Details

Watts 1440 W

Current 12 Amps

Volts 120 V

Frequency 60 Hz

Power cord full length 67"

Power cord install length from edge of unit when facing the door  
Left – 45"  
Right – 56"

Minimum water pressure 14 lb/sin

Length outlet hose 78 3/4"

## Dimensions & Weight

Overall appliance dimensions (HxWxD) 33 7/8" x 23 9/16" x 23 3/4"

Required cutout size (HxWxD) 33 7/8" x 24" x 24"

Adjustable feet Yes

Net weight 117 lbs

## Accessories—Optional

Junction Box SMZPCJB1UC

Junction Box + Supply Hose Kit SMZ3IN1UC

Supply Hose Kit with Elbow SMZSH1ABUC

Drain Hose Extension Kit SGZ1010UC

Edge Protector + Power Cord Clip Install Kit SMZEPCC1UC

Water Softener Salt SGZ9091UC

Flexible 3rd Rack SMZCD200UC



\* Based on aggregate average drying performance of Bosch Dishwashers with CrystalDry™ on combined household load including plastics, glass, steel, and porcelain as compared to Bosch Dishwashers with PureDry™. Drying performance may vary by dish type.

\*Compared to a Bosch dishwasher with 2 racks.

\*\*Certification to NSF/ANSI Standard 184 for residential dishwashers.

**Accessories:** To purchase Bosch accessories, cleaners & parts please visit [www.bosch-home.com/us/store](http://www.bosch-home.com/us/store) or call 1-800-944-2904 (Mon to Fri 5 am to 6 pm PST, Sat 6 am to 3 pm PST).

**Notes:** All height, width and depth dimensions are shown in inches. BSH reserves the absolute and unrestricted right to change product materials and specifications, at any time, without notice. Consult the product's installation instructions for final dimensional data and other details prior to making cutout.

**Warranties:** Please see Use & Care manual or Bosch website for statement of limited warranty.

**For more information on our entire line of products, go to [www.bosch-home.com/us](http://www.bosch-home.com/us) or call 1-800-944-2904**

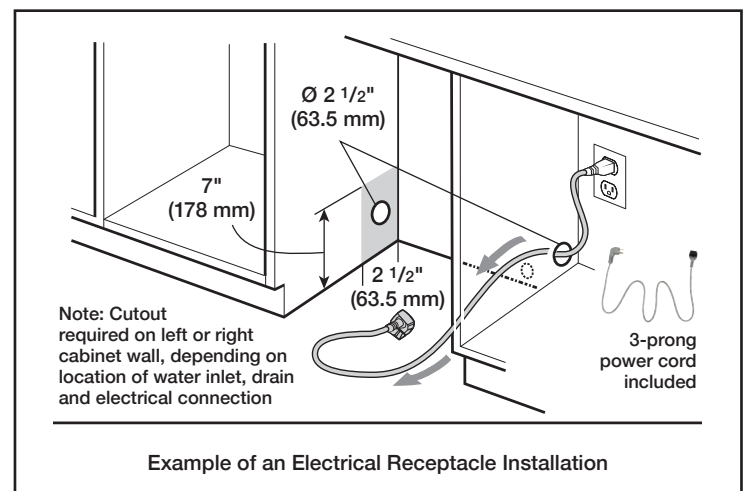
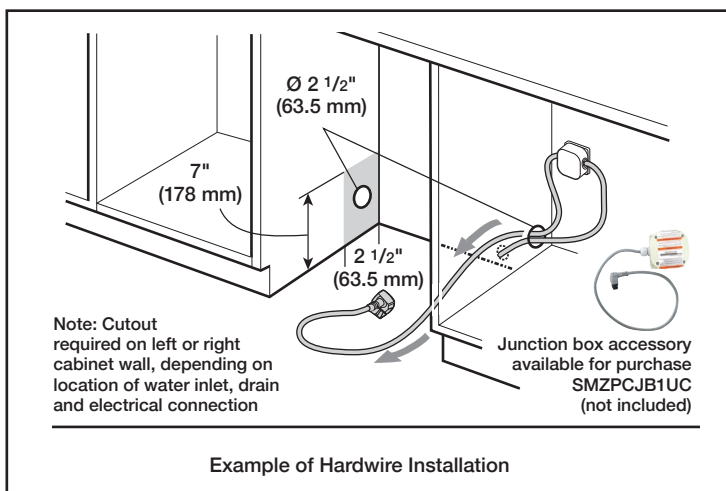
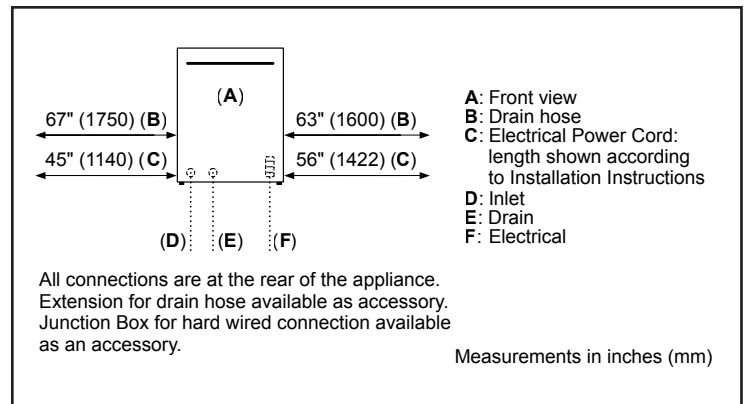
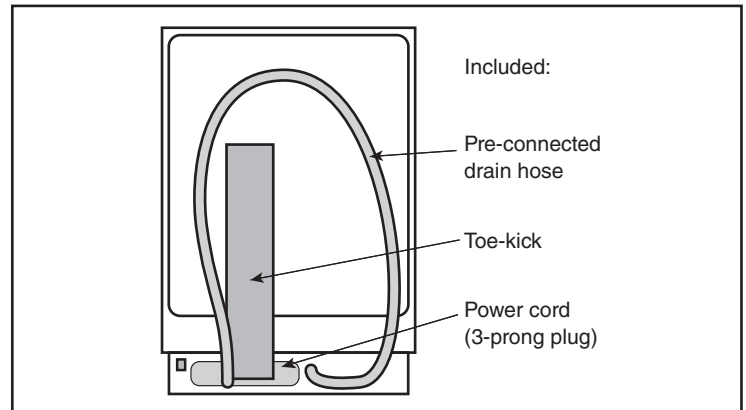
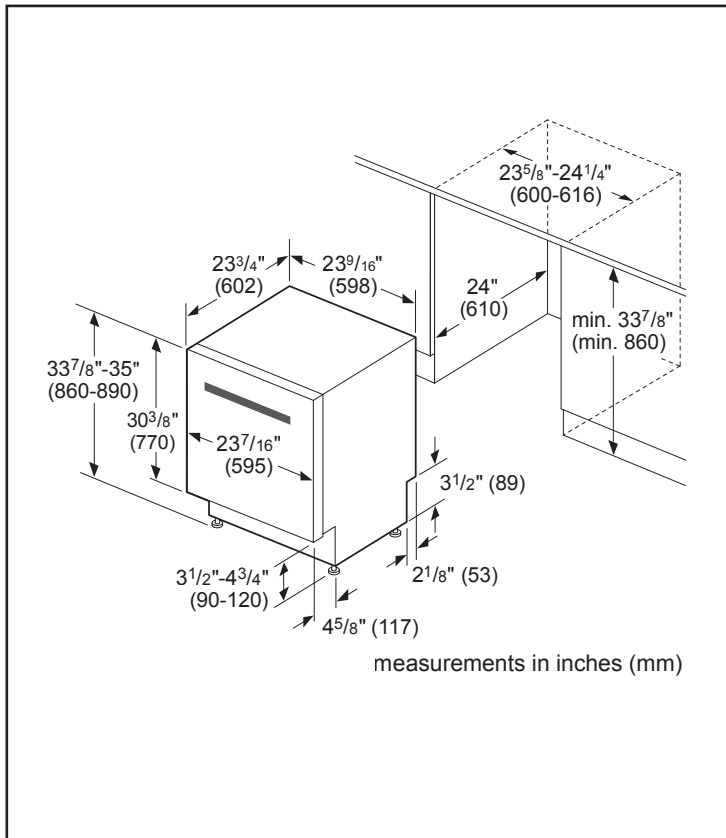
© BSH Home Appliances Corporation. All rights reserved. Bosch is a registered trademark of Robert Bosch GmbH.

# 24" Bar Handle Dishwasher



Benchmark™ Series – Stainless Steel SHX9PCM5N

## Installation Details



**Accessories:** To purchase Bosch accessories, cleaners & parts please visit [www.bosch-home.com/us/store](http://www.bosch-home.com/us/store) or call 1-800-944-2904 (Mon to Fri 5 am to 6 pm PST, Sat 6 am to 3 pm PST).

**Notes:** All height, width and depth dimensions are shown in inches. BSH reserves the absolute and unrestricted right to change product materials and specifications, at any time, without notice. Consult the product's installation instructions for final dimensional data and other details prior to making cutout.

**Warranties:** Please see Use & Care manual or Bosch website for statement of limited warranty.

**For more information on our entire line of products, go to [www.bosch-home.com/us](http://www.bosch-home.com/us) or call 1-800-944-2904**

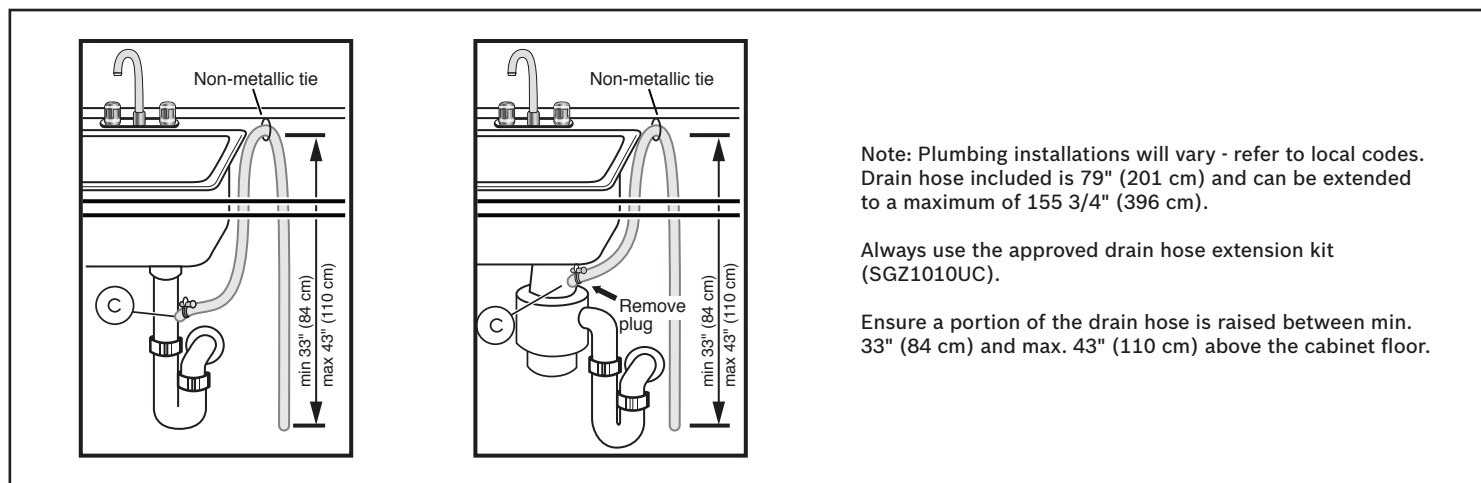
© BSH Home Appliances Corporation. All rights reserved. Bosch is a registered trademark of Robert Bosch GmbH.

# 24" Bar Handle Dishwasher



Benchmark™ Series – Stainless Steel SHX9PCM5N

## Installation Details



Note: Plumbing installations will vary - refer to local codes. Drain hose included is 79" (201 cm) and can be extended to a maximum of 155 3/4" (396 cm).

Always use the approved drain hose extension kit (SGZ1010UC).

Ensure a portion of the drain hose is raised between min. 33" (84 cm) and max. 43" (110 cm) above the cabinet floor.

**Accessories:** To purchase Bosch accessories, cleaners & parts please visit [www.bosch-home.com/us/store](http://www.bosch-home.com/us/store) or call 1-800-944-2904 (Mon to Fri 5 am to 6 pm PST, Sat 6 am to 3 pm PST).

**Notes:** All height, width and depth dimensions are shown in inches. BSH reserves the absolute and unrestricted right to change product materials and specifications, at any time, without notice. Consult the product's installation instructions for final dimensional data and other details prior to making cutout.

**Warranties:** Please see Use & Care manual or Bosch website for statement of limited warranty.

**For more information on our entire line of products, go to [www.bosch-home.com/us](http://www.bosch-home.com/us) or call 1-800-944-2904**

© BSH Home Appliances Corporation. All rights reserved. Bosch is a registered trademark of Robert Bosch GmbH.