

**100 Series, Slide-in Gas Range,  
Stainless Steel  
HGF1050MUC**



- Rapid pre-heat
- All-in-One Oven
- Powerful center oval burner.
- Easy installation
- Sleek backlit user interface

---

UPC code: ..... 825225974550  
 Product color: ..... Stainless Steel  
 Gas type preset: .....Natural gas 15 mbar (USA)  
 Total NG BTUs: ..... 66200 Btu  
 Required Cutout Size (HxWxD) (in): .....30" width slide-in  
 Overall Appliance Dimensions (HxWxD) (in): ..36" x 29 7/8" x 26 1/2"  
 Product Packaging Dimensions (HxWxD): ..... 40.15 x 30.70 x 31.96  
 Net Weight: ..... 184.000 lbs  
 Gross Weight: .....207.000 lbs

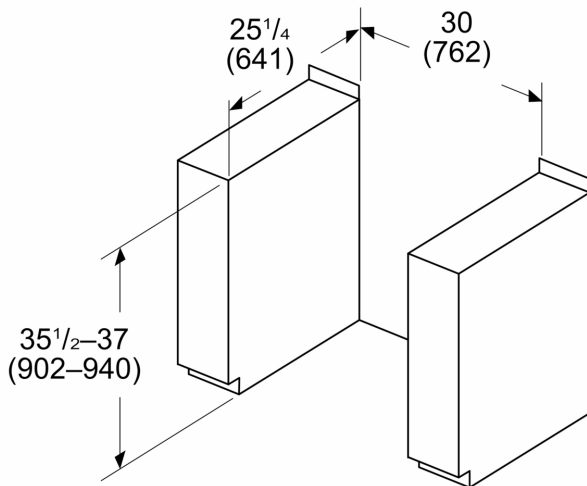
---



HEZGR302 Griddle Accessory for Bosch Ranges

**100 Series, Slide-in Gas Range,  
Stainless Steel  
HGF1050MUC**

Measurements in inches (mm)



Measurements in inches (mm)

