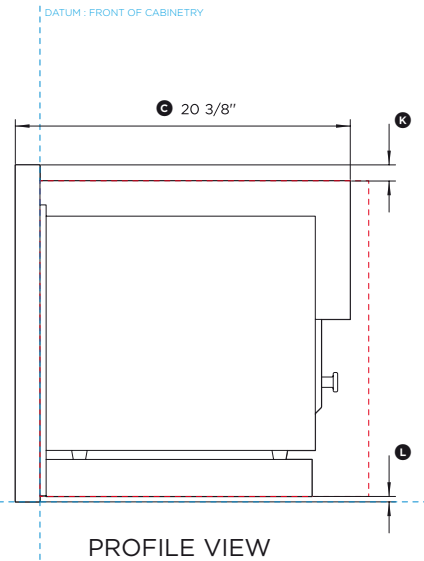
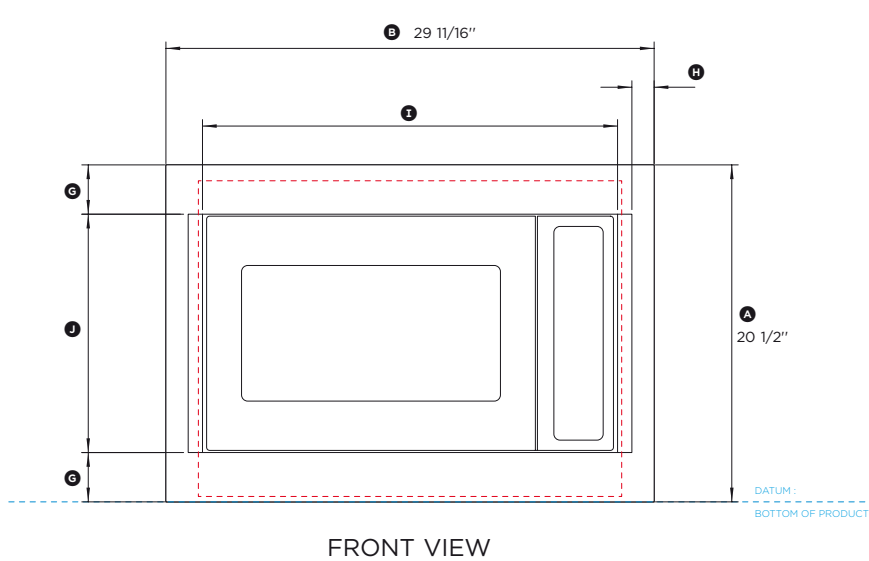
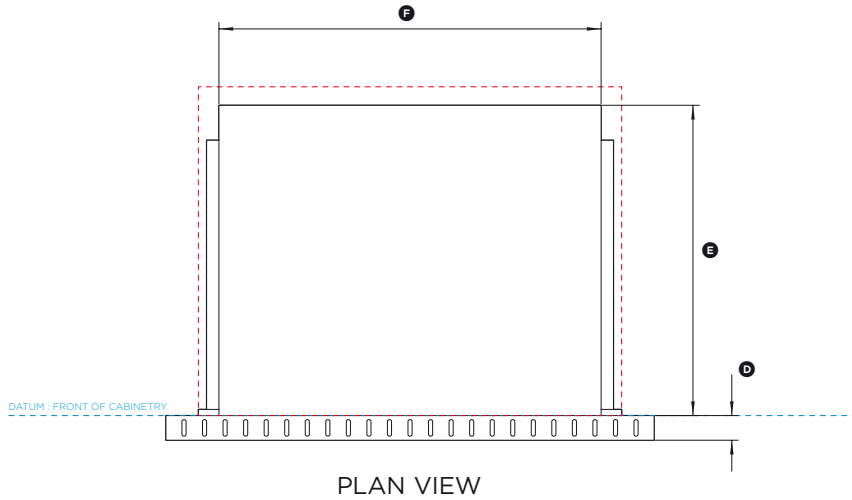


Model no:

CMO24SS2 with CMOTTKFP



Product Dimensions	in
Ⓐ Overall height of trim kit	20 1/2"
Ⓑ Overall width of trim kit	29 11/16"
Ⓒ Overall depth of trim kit	20 3/8"
Ⓓ Depth of surround	1 1/2"
Ⓔ Depth of trim kit venting inside cabinet	18 7/8"
Ⓕ Width of trim kit venting inside cabinet	23 1/4"
Ⓖ Height of surround horizontals	3"
Ⓗ Width of surround verticals - front faces	1 3/8"
Ⓘ Width of surround opening	25 1/4"
Ⓚ Height of surround opening	14 5/16"
Ⓛ Height from top of surround to top of trim kit venting inside cabinet	1"
Ⓜ Height from bottom of surround to bottom of cavity	5/16"

Minimum Clearances	in
Minimum inside height of cavity	19 3/16"
Minimum inside width of cavity	25 3/4"
Minimum inside depth of cavity from front datum	min 20"

INDICATES PRODUCT DATUM .....  
 INDICATES CLEARANCES - - - - -

DATE: 17.08.2015

IMPORTANT NOTE: Throughout this guide, dimensions may vary by ±2mm (3/32"). Please read the installation manual for detailed information on installing the product. [www.fisherpaykel.com](http://www.fisherpaykel.com)