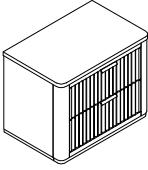
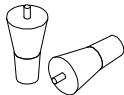




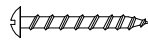

# ASSEMBLY INSTRUCTIONS INSTRUCCIONES

# B1400-2/B1450-2 NIGHT STAND B1400-2/B1450-2 BURO

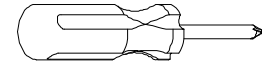
## PART LIST:

NO.	DESCRIPTION	OUTLOOK	QT.
1	NIGHTSTAND		1
2	BUN FOOT		4

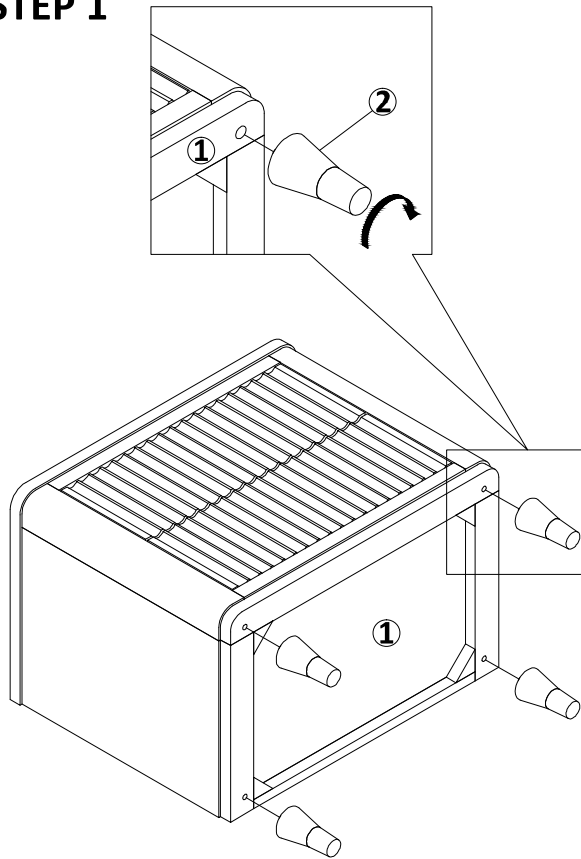
## ANTI-TIPPING HARDWARE LIST:

NO.	DESCRIPTION	OUTLOOK	SIZE	QT.
A	BRACKET		1/2"x1"L	2
B	TIE WRAP		#6x11-3/8"L	1
C	LONG SCREW		#8x2"L	1
D	SHORT SCREW		#8x5/8"L	1

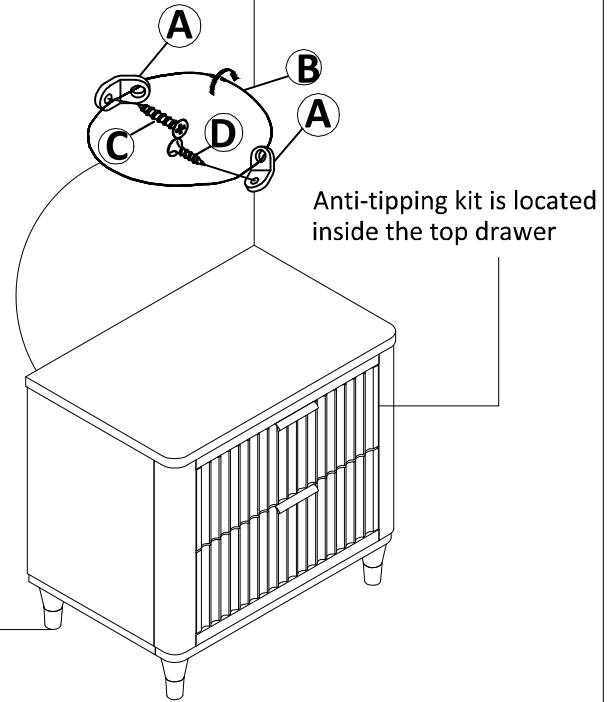
ASSEMBLY TOOL  
NOT INCLUDED



## STEP 1



## STEP 2



DO NOT TIGHTEN ALL BOLTS UNTIL COMPLETELY ASSEMBLED.  
NO APRETAR LOS TORNILLOS HASTA ARMAR COMPLETAMENTE.