

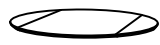
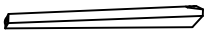
ASSEMBLY INSTRUCTIONS

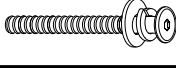
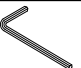
Item No : D1651-17
Oscar Oval Drop Leaf Dining Table

Thank you for purchasing this quality product. Be sure to check all packing materials carefully for small parts, which may have come loose inside the carton during shipment. Identify and count all items and compare with the parts list and/or hardware list shown below.

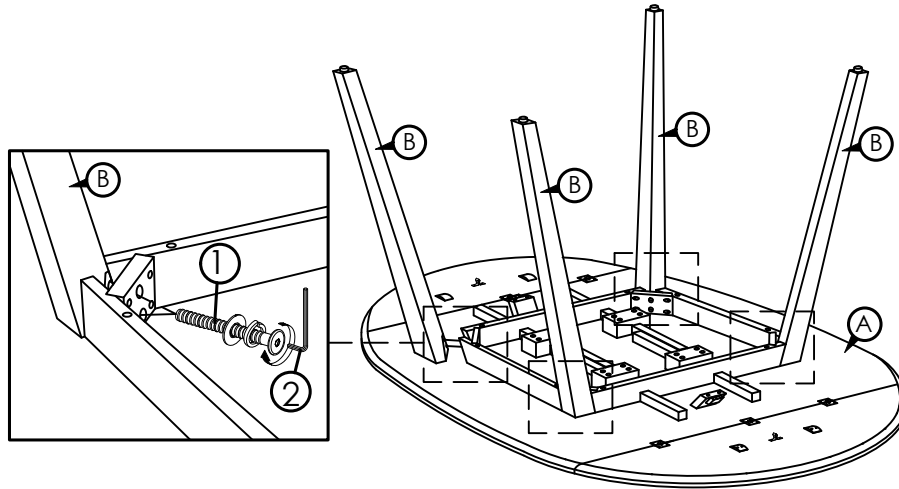
IMPORTANT NOTE :

- * PLACE ALL WOODEN PARTS ON A CLEAN AND SMOOTH SURFACE SUCH AS A RUG OR CARPET TO AVOID THE PARTS FROM BEING SCRATCHED.
- * PLEASE DO NOT OVERTIGHTEN THE SCREWS TO AVOID CRACKING THE PARTS.
- * BEFORE YOU BEGIN, KINDLY REVIEW THE ASSEMBLY INSTRUCTIONS AND FOLLOW STEP BY STEP.
- * KEEP ALL HARDWARE PARTS OUT OF REACH OF CHILDREN.
- * IT IS RECOMMENDED TO HAVE TWO PEOPLE DURING ASSEMBLING.

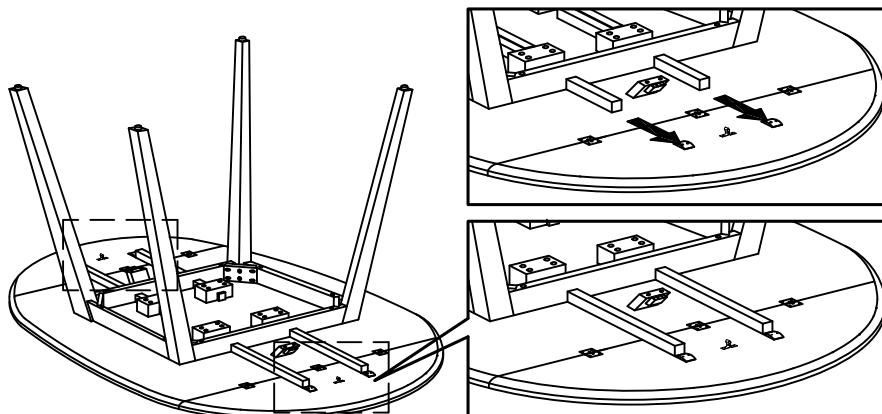
PARTS LIST			
NO	DESCRIPTION	SKETCH	QTY
A	Table Top		1 Pc
B	Table Leg		4 Pcs

HARDWARE LIST			
NO	DESCRIPTION	SKETCH	QTY
1	JCBB Bolt M8 x 2 3/8" w/ Spring Washer 5/16" and Flat Washer 5/16" x 7/8"		8 Pcs
2	Allen Key M5		1 Pc

STEP 1 : Place the Table Top (A) upside down on a soft and clean surface. Assemble the Table Leg (B) to the Table Top (A) by using Allen Key (2) with hardware 1.
*DO NOT TIGHTEN THE BOLTS.



STEP 2 : To level the table, pull out each of the wooden slide until it stops against the plastic stopper then turn the table right side up on a flat surface and tighten the bolts with Allen Key (2).
*DO NOT OVERTIGHTEN THE BOLTS.



ASSEMBLY INSTRUCTIONS

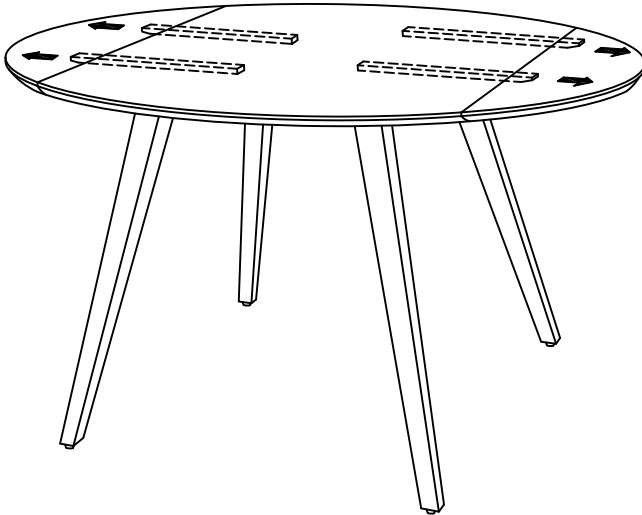
Item No : D1651-17
Oscar Oval Drop Leaf Dining Table

TO OPEN AND CLOSE THE DROP LEAF

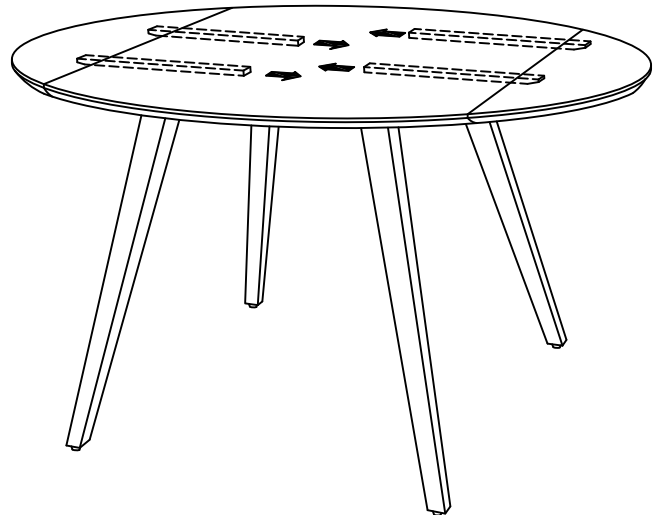
TO OPEN THE DROP LEAF: Pull out each of the wooden slide until it stops against the plastic stopper

TO CLOSE THE DROP LEAF: Push in each of wooden slide until it stops against the block

To Open



To Close



TO STORE THE DROP LEAF

Push the drop leaf until the strike prong on the drop leaf fully snaps into the double roller catch latch underneath the table top.

