

# INSTALL

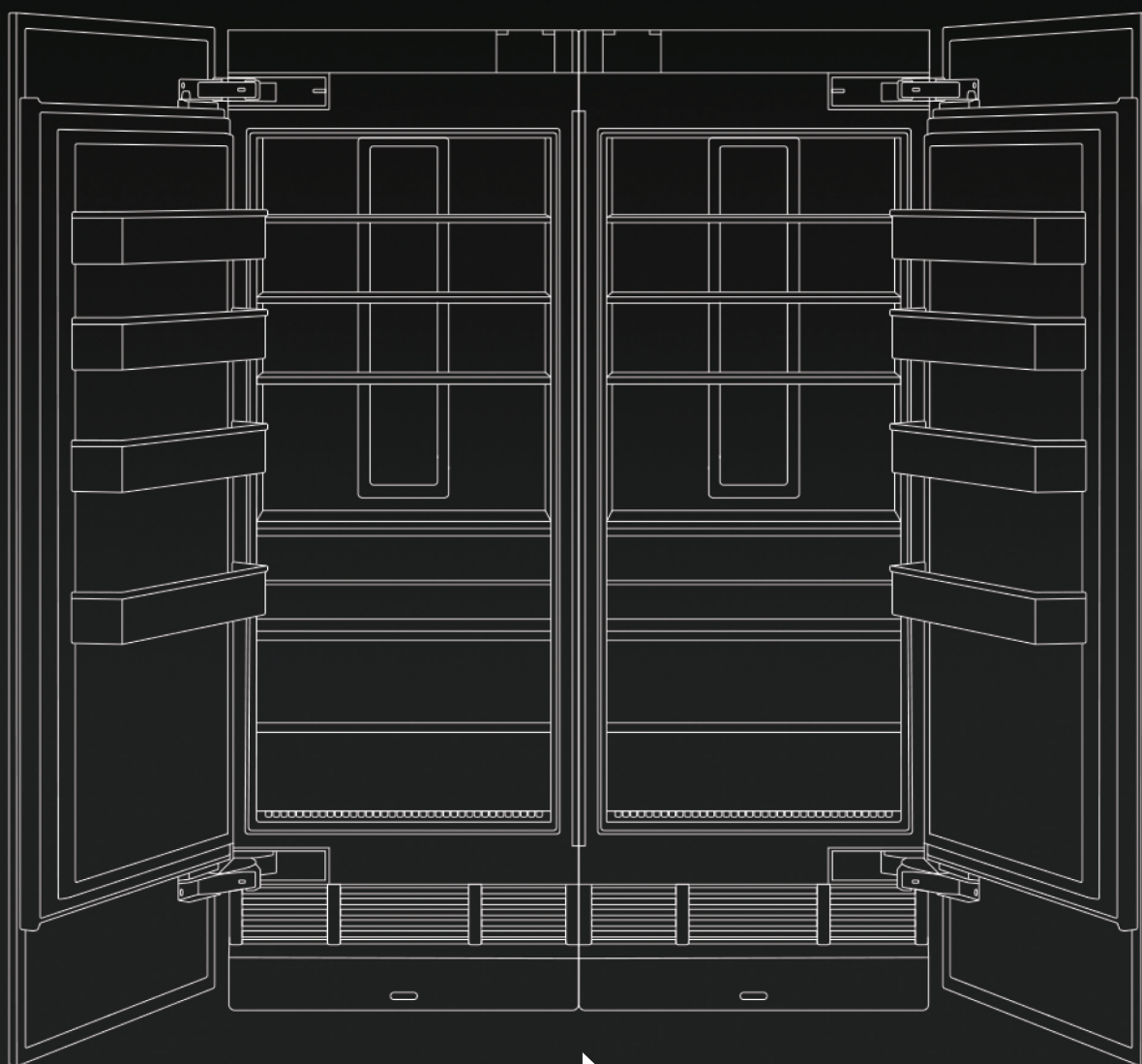
COLUMN REFRIGERATION

MULTIPLE UNITS

# INSTALLATION

RÉFRIGÉRATEURS ENCASTRÉS

MULTIPLES



JENNAIR®

W10919013A

## Your safety and the safety of others are very important.

We have provided many important safety messages in this manual and on your appliance. Always read and obey all safety messages.



This is the safety alert symbol.

This symbol alerts you to potential hazards that can kill or hurt you and others.

All safety messages will follow the safety alert symbol and either the word "DANGER" or "WARNING."

These words mean:

**⚠ DANGER**

**You can be killed or seriously injured if you don't immediately follow instructions.**

**⚠ WARNING**

**You can be killed or seriously injured if you don't follow instructions.**

All safety messages will tell you what the potential hazard is, tell you how to reduce the chance of injury, and tell you what can happen if the instructions are not followed.

## IMPORTANT SAFETY INSTRUCTIONS

**WARNING:** To reduce the risk of fire, electric shock, or injury when using your refrigerator, follow these basic precautions:

- To avoid a hazard due to instability of the appliance, it must be fixed in accordance with the instructions.
- Plug into a grounded 3 prong outlet.
- Installation shall be performed only by manufacturer, or an authorized agent.
- Do not remove ground prong.
- Do not use an adapter.
- Do not use an extension cord.
- Disconnect power to all units before servicing.
- Replace all parts and panels before operating.
- Remove doors from your old refrigerator.
- Use nonflammable cleaner.
- Do not store or use petrol, flammable liquids or gas in the vicinity of this or other electrical appliances. The fumes can cause fires or explosions.
- Do not store explosive substances such as aerosol cans with a flammable propellant in this refrigerator.
- Do not use or place electrical devices inside the refrigerator compartments if they are not of the type expressly authorized by the manufacture.
- Use two or more people to move and install refrigerator.
- Disconnect power before installing ice maker (on ice maker kit ready models only).
- A qualified service technician must install the water line and ice maker. See installation instruction supplied with ice maker kit IC13B for complete details.
- Connect to a potable water supply only.
- Use a sturdy glass when dispensing ice (on some models).
- This appliance is not intended for use by persons (including children) with reduced physical, sensory or mental capabilities, or lack of experience and knowledge, unless they have been given supervision or instruction concerning use of the appliance by a person responsible for their safety.
- Children should be supervised to ensure that they do not play with the appliance.
- To avoid the risk of children becoming trapped and suffocating, do not allow them to play or hide inside the refrigerator.
- If the supply cord is damaged, it must be replaced by the manufacturer, its service agent or similarly qualified person in order to avoid a hazard.
- This refrigerator is intended to be used in household and similar applications such as:
  - staff kitchen areas in shops, offices, and other working environments
  - farm houses and by clients in hotels, motels, and other residential type environments
  - bed and breakfast type environments
  - catering and similar non-retail applications

**SAVE THESE INSTRUCTIONS**

## **⚠ WARNING**

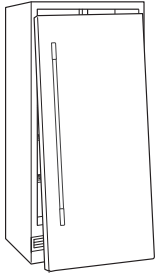
### **Suffocation Hazard**

**Remove doors from your old refrigerator.**

**Failure to do so can result in death or brain damage.**

### **Important information to know about disposal of refrigerants:**

Dispose of refrigerator in accordance with Federal and Local regulations. Refrigerants must be evacuated by a licensed, EPA certified refrigerant technician in accordance with established procedures.



**IMPORTANT:** Child entrapment and suffocation are not problems of the past. Junked or abandoned refrigerators are still dangerous – even if they will sit for "just a few days." If you are getting rid of your old refrigerator, please follow these instructions to help prevent accidents.

Before You Throw Away Your Old Refrigerator or Freezer:

- Take off the doors.
- Leave the shelves in place so that children may not easily climb inside.

## E A S E . S P E E D . S A F E T Y .

With the launch of the first ever JennAir® columns, we reimagined the entire columns installation process, eliminating problems that affect our sub-par competitors. Some of the features professional installers are most excited about:

- **Concealed six-point panel adjustment**  
Easy and precise alignment
- **Site-tailored Rotter system shims and badass bracket**  
Guide and keep column in position
- **Precision four-point front leveling**  
On sturdy rollers that easily bear full weight
- **Metal fascia**  
Increases durability
- **Solid wood core stainless steel panels**  
Easy to prep and hang and do not require drilling through steel
- **Expanded utility areas**  
Reduced changes to replace built-ins or upgrade from competitor columns

### **And with your help, we'll just keep getting better.**

Contact the JennAir Epicenter through [jennair.com](http://jennair.com) or at 1-800-JENNAIR (536-6247) to report installation tips and tricks, or to consult with experts who know the installation process inside and out.

## W H Y W E L O V E J E N N A I R I N S T A L L E R S

### **THEY'RE TOTAL PROFESSIONALS (AND PERFECTIONISTS).**

It's all about getting that seamless flush execution, that down-to-the-millimeter adjustment. Flawless installation is incredibly important to the function, appearance and lifetime enjoyment of our products, and our installers make it happen every day.

### **THEY DO THEIR HOMEWORK. AND HELP US WITH OURS.**

These experts know JennAir® products inside and out. They train extensively on JennAir installation, learning the latest techniques and insider tips so they can install our cutting edge appliances with ease. And we value their input, incorporating installer feedback to refine and perfect our installations.

### **THEY THINK THROUGH EVERY DETAIL OF THE EXPERIENCE.**

Above and beyond dedication is the baseline. The JennAir experience starts the minute an installer brings the customer's column home. Keeping the site spotless, taking extreme care with both the appliances and the home and providing an unforgettable introduction to columns is all part of the game plan.

## TABLE OF CONTENTS

### INTRODUCTION

<b>02</b>	SAFETY INSTRUCTIONS
<b>06</b>	TOOLS & PARTS
<b>10</b>	CONFIGURATIONS
<b>12</b>	PRODUCT DIMENSIONS
<b>14</b>	DOOR STYLE
<b>16</b>	OPENING DIMENSIONS
<b>20</b>	SITE PREP
<b>23</b>	INSTRUCTION KEY

### PREPARATION

<b>24</b>	SECTION 1 // PREPARE COLUMNS
<b>31</b>	SECTION 2 // PREPARE JOIN KIT
<b>36</b>	SECTION 3 // PREPARE POSITIONING BRACKET
<b>39</b>	SECTION 4 // BADASS BRACKET INSTALLATION
<b>48</b>	SECTION 5 // PREPARE FURNITURE

### INSTALLATION

<b>54</b>	SECTION 6 // FIRST COLUMN INSTALLATION
<b>64</b>	SECTION 7 // SECOND COLUMN INSTALLATION
<b>72</b>	SECTION 8 // THIRD COLUMN INSTALLATION
<b>80</b>	SECTION 9 // PREPARE COLUMN FOR USE

### ACCESSORIES

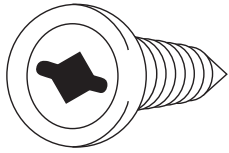
<b>86</b>	SECTION 10 // TOE-KICK: CUSTOM WOOD PREPARATION
<b>89</b>	SECTION 11 // TOE-KICK: STAINLESS STEEL PREPARATION
<b>92</b>	SECTION 12 // TOE-KICK: ALIGN AND INSTALL
<b>97</b>	SECTION 13 // PANEL: CUSTOM WOOD PREPARATION
<b>102</b>	SECTION 14 // PANEL: STAINLESS STEEL PREPARATION
<b>105</b>	SECTION 15 // PANEL: HANG AND ALIGN

### COMPLETE

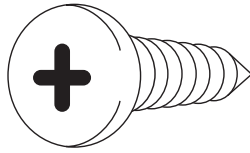
<b>112</b>	SECTION 16 // COMPLETE INSTALLATION
<b>115</b>	FINAL CHECKLIST

### 119 TABLE DES MATIÈRES

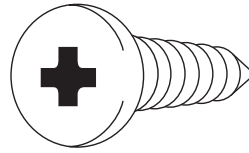
# TOOLS + PARTS PROVIDED



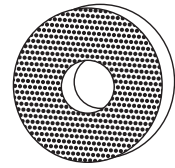
#2 Square-drive screws  
(3-24004-079)



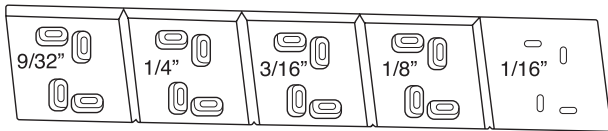
8-18 x 3/4  
Phillips head screws  
(W11041176)



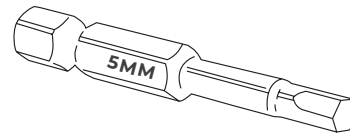
6-20 x .375 screws  
(246131)



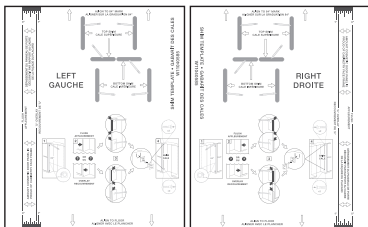
Gripping pads  
(W10840464)



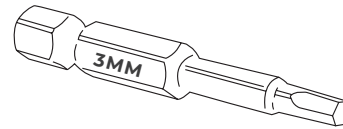
Five installation shims  
(W10913387)



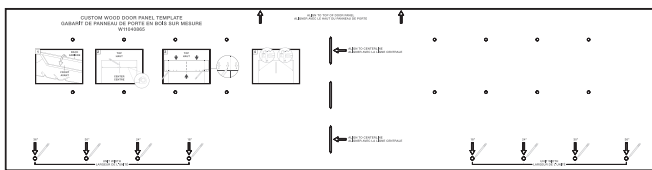
5 mm driver bit  
(W11121505)



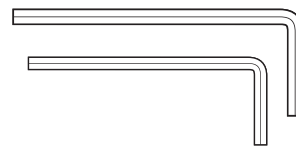
Shim installation template  
(W11040585)



3 mm driver bit  
(W11121512)



Toe-kick and door panel installation template  
(W11040865)

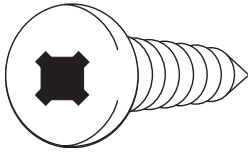


3 mm Allen wrench  
5 mm Allen wrench

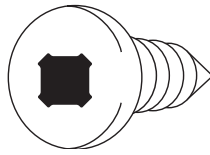


READ AND FOLLOW THE INSTRUCTIONS PROVIDED WITH ANY OF THE TOOLS LISTED.

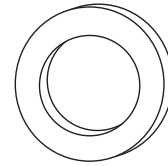
# JOIN KIT TOOLS + PARTS PROVIDED



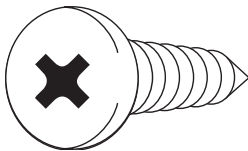
10-13 x 2.0 FL CR



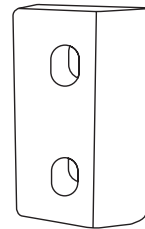
10-13 x PN CR  
(W11117666)



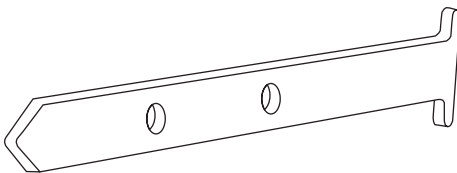
(17) Flat washers  
(8534057)



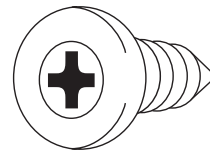
8-18 x MFI 6L HL SS BLK  
(W11117377)



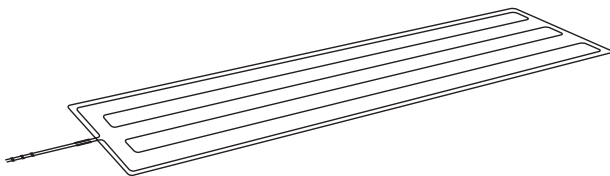
Join kit spacer  
(W11111782)



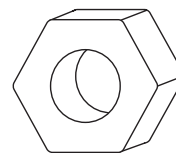
Positioning bracket mount  
(W11111772)



(14) 8-15 x "L" Mtr cr cone screws  
(8281252)



Peel and stick heating pad  
(W10912090)

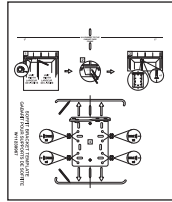


(8) M6-1 x 6 10 mm metric hex nuts  
(W10854505)

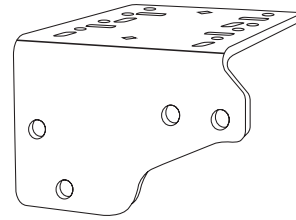


READ AND FOLLOW THE INSTRUCTIONS PROVIDED WITH ANY OF THE TOOLS LISTED.

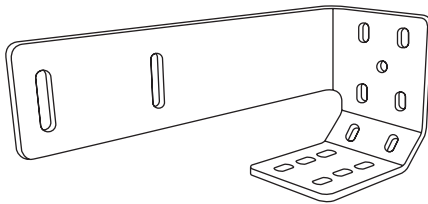
# ADDITIONAL JOIN KIT PARTS PROVIDED



Soffit bracket installation template  
(W11040584)



**Badass** soffit bracket  
(W11111754)



Positioning bracket  
(W11111771)

## JOIN KIT TRIMS

### Handle-to-handle join kit (W11103739)

Left-hand (handle) trim  
(W11103734)

Right-hand (handle) trim  
(W11103737)

### Handle-to-hinge join kit (W11103738)

Left-hand (handle) trim  
(W11103734)

Right-hand (hinge) trim  
(W11103736)

### Hinge-to-handle join kit (W11103740)

Left-hand (handle) trim  
(W11103737)

Right-hand (hinge) trim  
(W11103735)



READ AND FOLLOW THE INSTRUCTIONS PROVIDED WITH  
ANY OF THE TOOLS LISTED.



# TOOLS + PARTS

## NOT PROVIDED

### TOOLS

- Cordless drill and drill bits or impact driver
- Drill bit set including 3/32" and 1/8" diameter bits
- Two adjustable wrenches
- #2 Phillips bit
- 1/4" magnetic nut driver
- #2 square-drive bit
- 48" or longer level or straight edge  
(Can substitute a factory-installed trim piece, once removed.)
- 3/8" and 1/2" open-end wrenches
- Tape measure
- Utility knife
- Masking tape
- Appliance dolly
- Right angle drill adapter
- 6" drill extension
- #8 pan head wood screws of assorted lengths including 1", 1-1/4", 1-1/2"

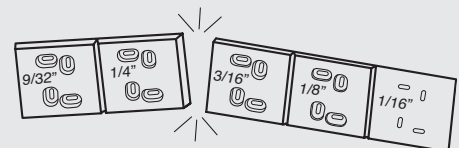
### PARTS

- Flexible code-approved water supply line
- Custom door overlay panels
  - Stainless steel panels: order from JennAir
  - Custom wood panels: consult a qualified cabinetmaker or carpenter
- Additional fasteners will be required according to the kitchen furniture construction

### WHY USE ROTTER SYSTEM SHIMS AND THE BADASS BRACKET?

This recommended process might be unfamiliar to you as an installer, but it adds enormous value to both you and your client. Use the Rotter system to:

- Help position column without scratching
- Create precise 1/8" reveals on each side
- Always have ready-made shims tailored to each site
- Keep column stable in cutout over lifetime
- Eliminate misalignment issues for your client



# CONFIGURATIONS

## 2 - UNITS

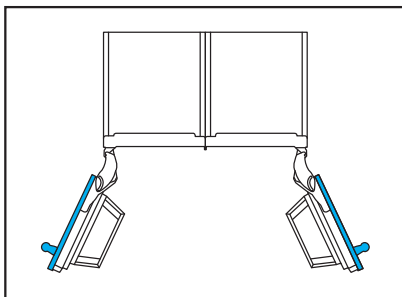
### ⚠ CAUTION

#### Pinch Hazard

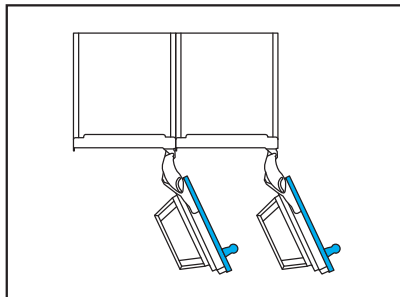
Installation of door panels with less than a 3/8" (0.95 cm) gap between the door panel and the adjacent cabinet increases the risk of potential pinching.

### PERMISSABLE 2-UNIT CONFIGURATIONS

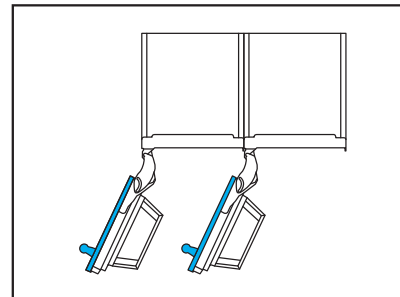
Handle-to-handle  
join kit  
(W11103739)



Hinge-to-handle  
join kit  
(W11103740)

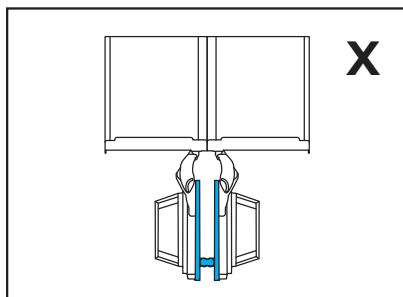


Handle-to-hinge  
join kit  
(W11103738)



### NON-PERMISSABLE 2-UNIT CONFIGURATIONS

Hinge-to-hinge

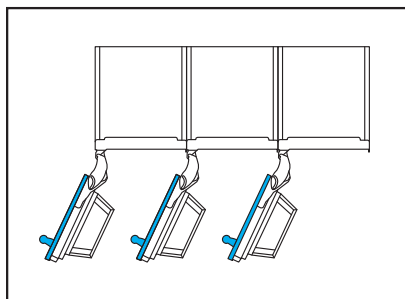


# CONFIGURATIONS

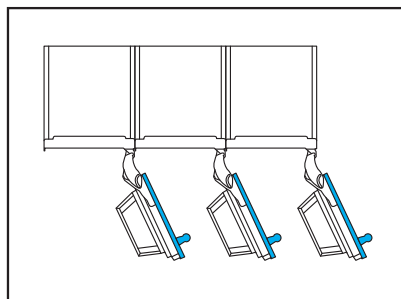
## 3 - UNITS

### PERMISSABLE 3-UNIT CONFIGURATIONS

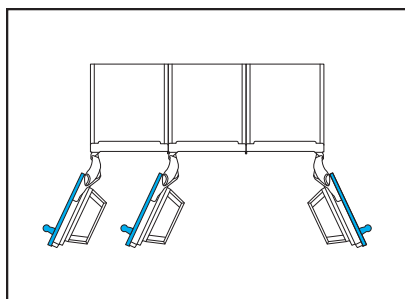
Handle-to-hinge and  
handle-to-hinge  
join kits:  
W11103738 (X2)



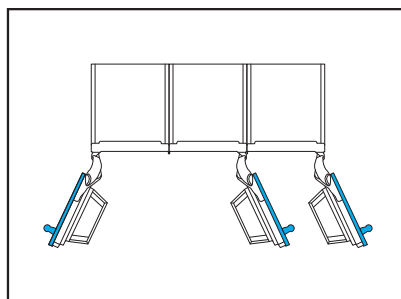
Hinge-to-handle and  
hinge-to-handle  
join kits:  
W11103740 (x2)



Handle-to-hinge and  
handle-to-handle  
join kits:  
W11103738 and W11103739

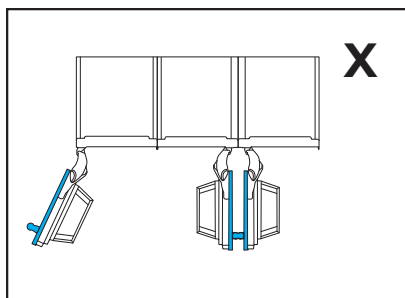


Handle-to-handle and  
hinge-to-handle  
join kits:  
W11103739 and W11103740

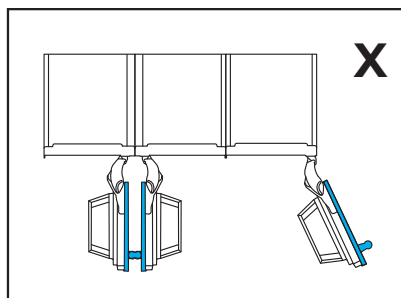


### NON-PERMISSABLE 3-UNIT CONFIGURATIONS

Hinge-to-hinge



Hinge-to-hinge



# DIMENSIONS

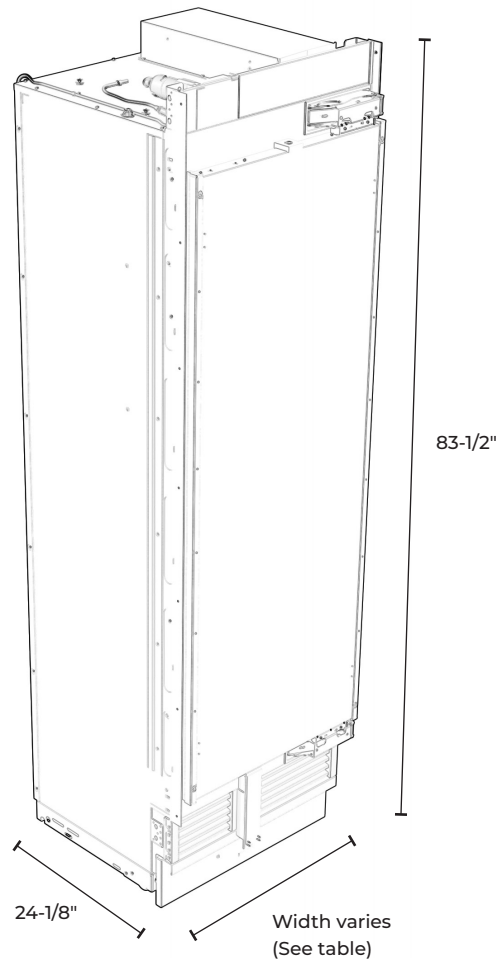
## PRODUCT

### OVERALL PRODUCT (NO PANEL)

<b>Width</b>	See unit width table below
<b>Height</b>	79-7/8" – 85-5/16" (202.9 – 215.9 cm)
<b>Depth</b>	24-1/8" (61.3 cm)
<b>Raw Door Height</b>	79-7/8" (202.9 cm)
<b>Toe-kick Height</b>	3-9/16" (9.1 cm)
<b>Toe-kick Depth</b>	3-1/4" – 4-7/8" (8.3 – 12.4 cm)

### PRODUCT WIDTH

Model	Width
18" JBZFR18IGX JBZFL18IGX	17-3/4" (45.1 cm)
24" JBRFR24IGX JBRFL24IGX JBZFR24IGX JBZFL24IGX	23-3/4" (60.3 cm)
30" JBRFR30IGX JBRFL30IGX JBZFR30IGX JBZFL30IGX	29-3/4" (75.6 cm)
36" JBRFR36IGX JBRFL36IGX	35-3/4" (90.8 cm)



# DIMENSIONS

## ACCESSORIES

### STAINLESS STEEL PANEL

Height	80" (203.2 cm)
Thickness	13/16" (2.1 cm)

### CUSTOM TOE-KICK

Height	3-9/16" (9.1 cm)
Thickness	3/16"-3/4" (4.8 – 1.9 mm)

### CUSTOM PANEL

Thickness	3/4" (1.9 cm) max.
Weight	60 lbs. (27.2 kg) max.
Typical Height	80" (203.2 cm)

# DOOR STYLE

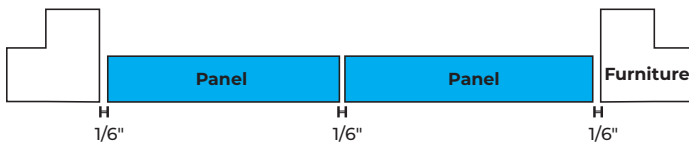
## CUSTOM PANEL WIDTH

### ⚠ CAUTION

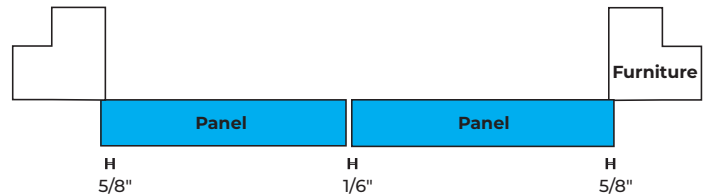
#### Pinch Hazard

Installation of door panels with less than a  $\frac{3}{8}$ " (0.95 cm) gap between the door panel and the adjacent cabinet increases the risk of potential pinching.

MODEL	FLUSH WIDTH
18"	17-3/4" (45.1 cm)
24"	23-3/4" (63.5 cm)
30"	29-3/4" (75.6 cm)
36"	35-3/4" (90.8 cm)



MODEL	OVERLAY WIDTH
18"	18-3/8" (46.7 cm)
24"	24-3/8" (61.9 cm)
30"	30-3/8" (77.2 cm)
36"	36-3/8" (92.4 cm)



MODEL	FLUSH WIDTH
18"	17-3/4" (45.1 cm)
24"	23-3/4" (63.5 cm)
30"	29-3/4" (75.6 cm)
36"	35-3/4" (90.8 cm)



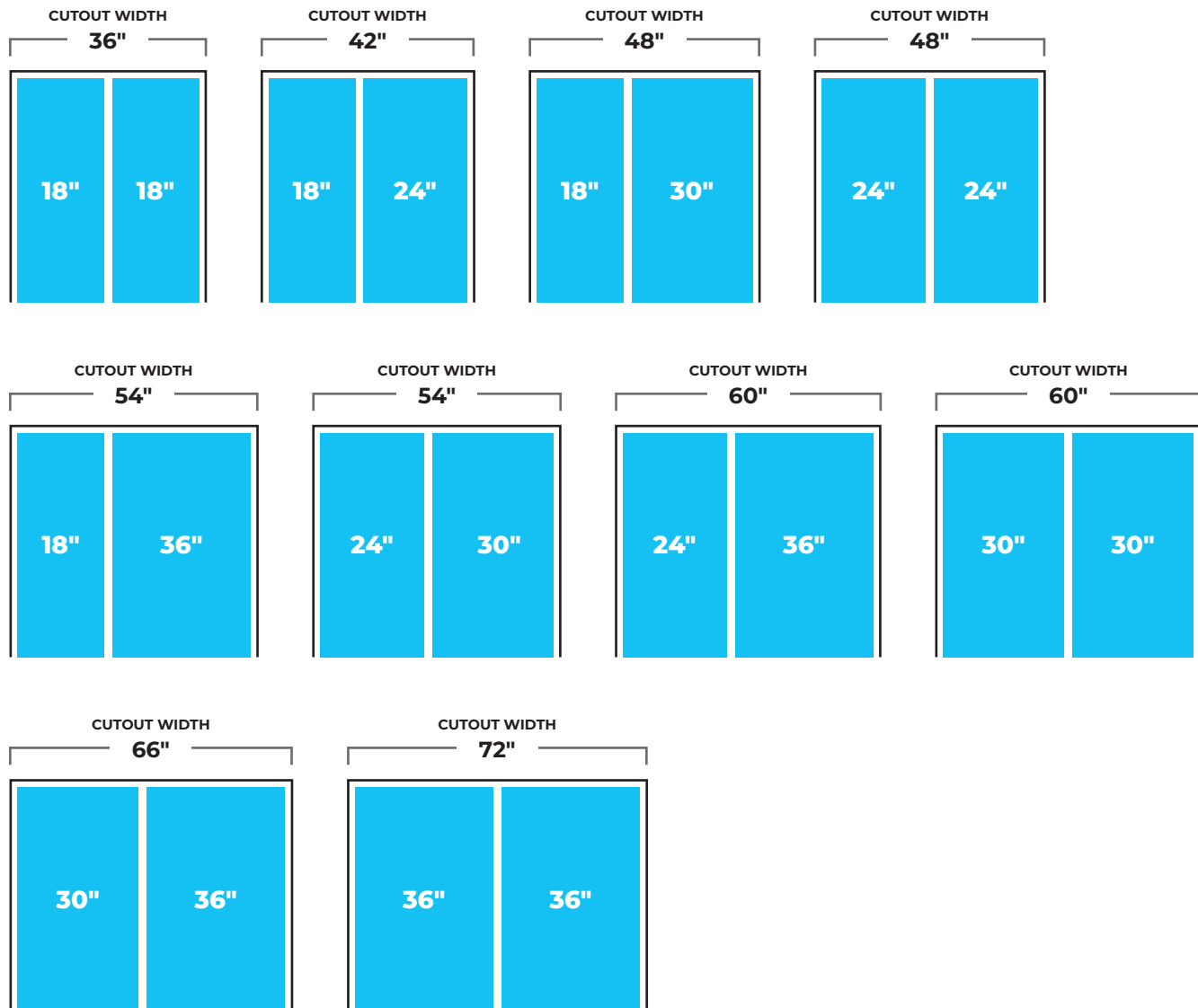
# DIMENSIONS

## OPENING

### 2-UNIT CONFIGURATIONS

NOTE: These diagrams show cutout width of product combinations.

Products may be arranged into any permissible configuration shown on pg. 10-11.



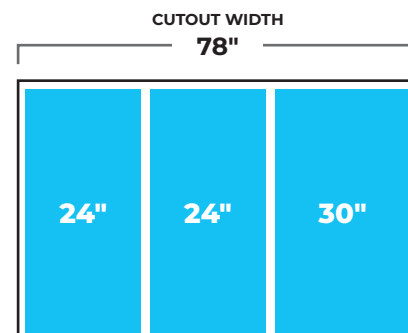
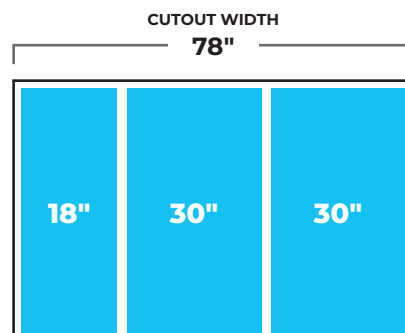
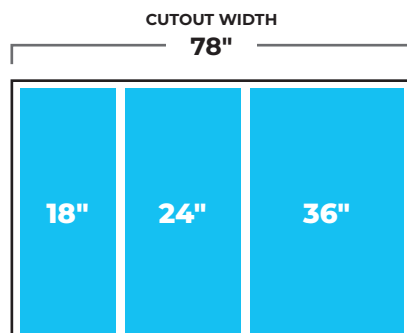
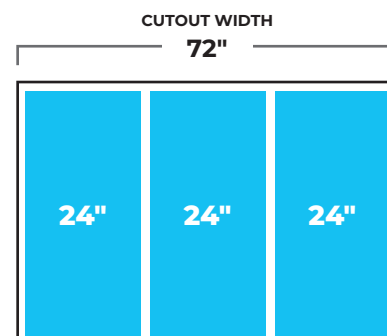
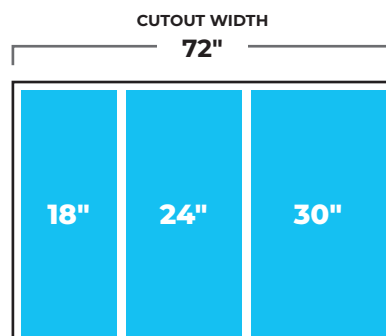
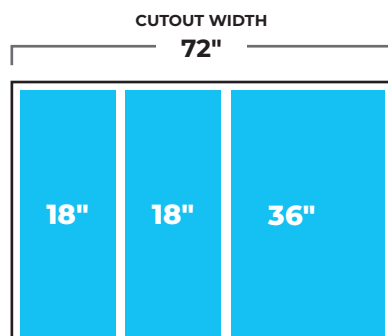
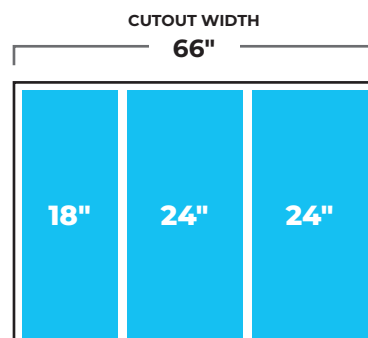
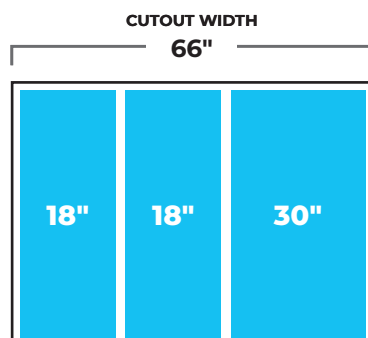
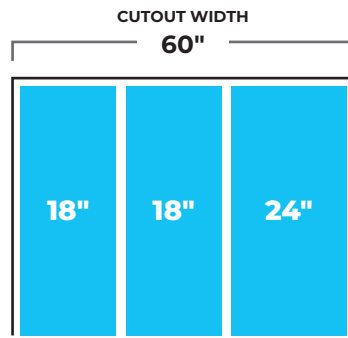
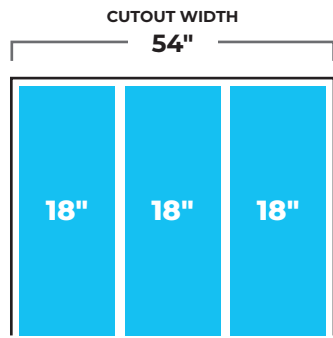
# DIMENSIONS

## OPENING

### 3-UNIT CONFIGURATIONS

NOTE: These diagrams show cutout width of product combinations.

Products may be arranged into any permissible configuration shown on pg. 10-11.



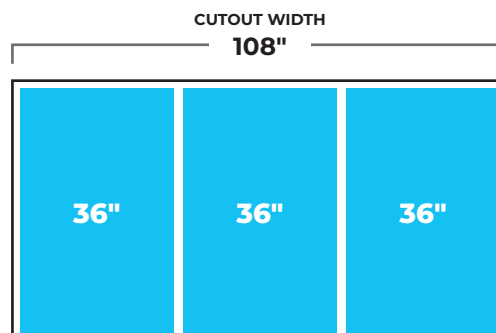
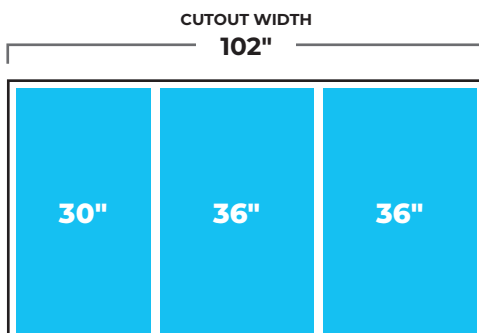
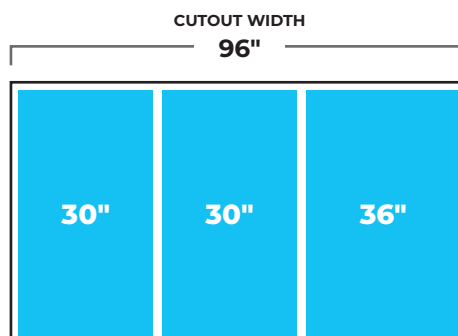
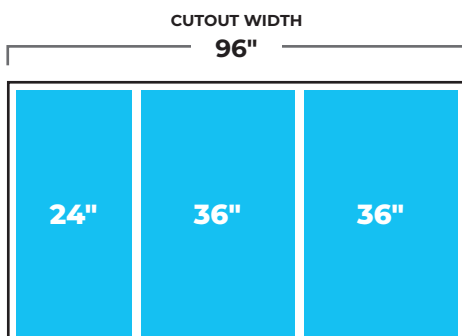
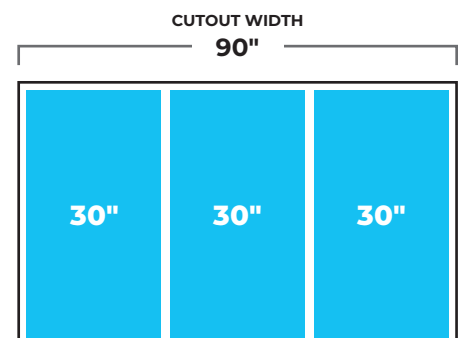
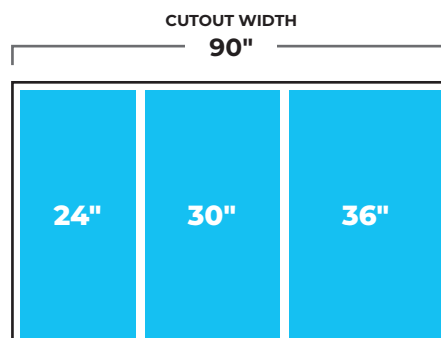
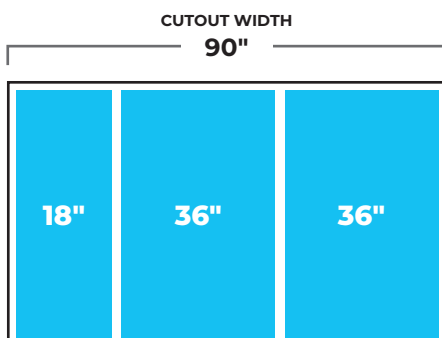
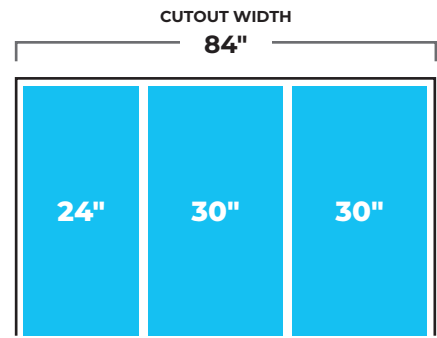
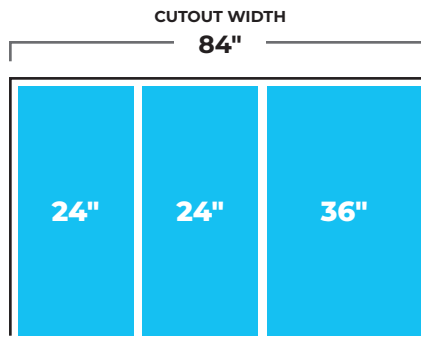
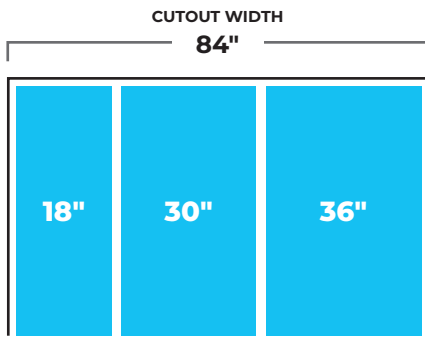


# DIMENSIONS

## OPENING

### 3-UNIT CONFIGURATIONS

NOTE: These diagrams show cutout width of product combinations.  
Products may be arranged into any permissible configuration shown on pg. 10-11.



# DIMENSIONS

## OPENING

### ⚠ CAUTION

#### Pinch Hazard

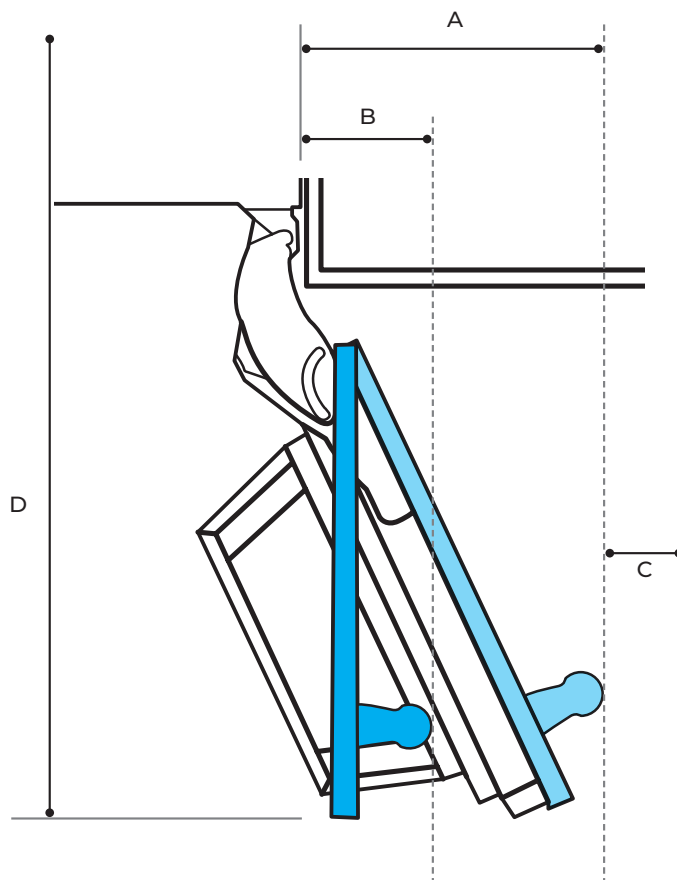
Installation of door panels with less than a  $\frac{3}{8}$ " (0.95 cm) gap between the door panel and the adjacent cabinet increases the risk of potential pinching.

### DOOR SWING REQUIREMENTS

Model	115° Door Swing "A"	90° Door Swing "B"	Wall Gap "C"	Door Open Depth "D"
18"	10-1/2" (26.7 cm)	5" (12.7 cm)	2-1/2" (6.4 cm)	44-1/2" (113 cm)
24"	13" (33 cm)	5" (12.7 cm)	2-1/2" (6.4 cm)	50-1/2" (128.3 cm)
30"	15-1/2" (39.4 cm)	5" (12.7 cm)	2-1/2" (6.4 cm)	56-3/8" (143.2 cm)
36"	18" (45.7 cm)	5" (12.7 cm)	2-1/2" (6.4 cm)	62-7/16" (158.6 cm)

Dimensions give 2-1/2" spacing between stainless steel handle accessory and wall to avoid pinching.

For a custom wood panel, consider handle depth to maintain 2-1/2" spacing.

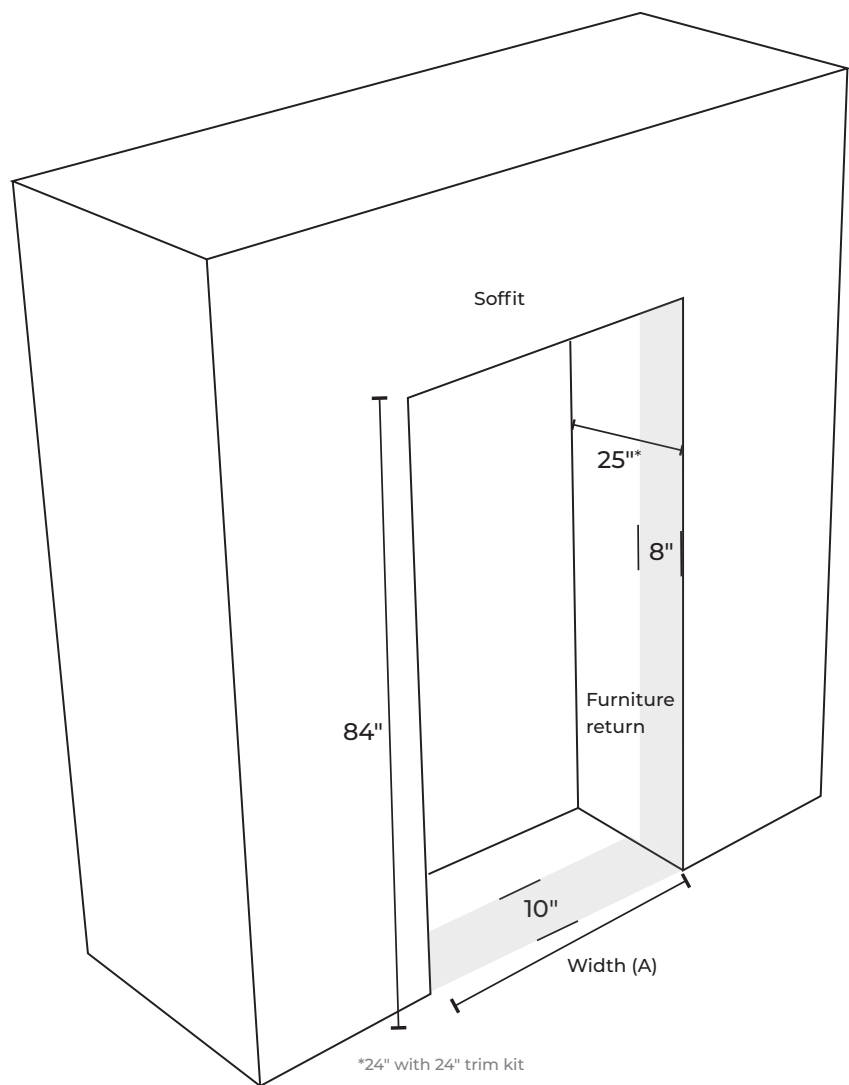


# DIMENSIONS

## OPENING

### OPENING WIDTH

Model	Width (A)
18" JBZFR18IGX JBZFL18IGX	18" (45.7 cm)
24" JBRFR24IGX JBRFL24IGX JBZFR24IGX JBZFL24IGX	24" (61 cm)
30" JBRFR30IGX JBRFL30IGX JBZFR30IGX JBZFL30IGX	30" (76.2 cm)
36" JBRFR36IGX JBRFL36IGX	36" (91.4 cm)



# SITE PREP

## 1. CHECK THE FURNITURE

- Measure to make sure all opening dimensions are correct. (See previous page.)
- Side panel construction: 3/4" (1.9 cm) thick plywood.  
**IMPORTANT:** Cannot be constructed of pressed fiber material such as MDF.
- Soffit height: 84" (213.4 cm).
- A single water supply line may be split 2 or 3 ways to service all columns.

## 2. CHECK THE INSTALLATION SITE

- Away from ovens, radiators or other heat sources.
- Temperature will not fall below 55° F (13° C).
- Floor supports more than 600 lbs. (272 kg) plus door panel and contents weight.
- Floor level with the room.
- Furniture face plumb.

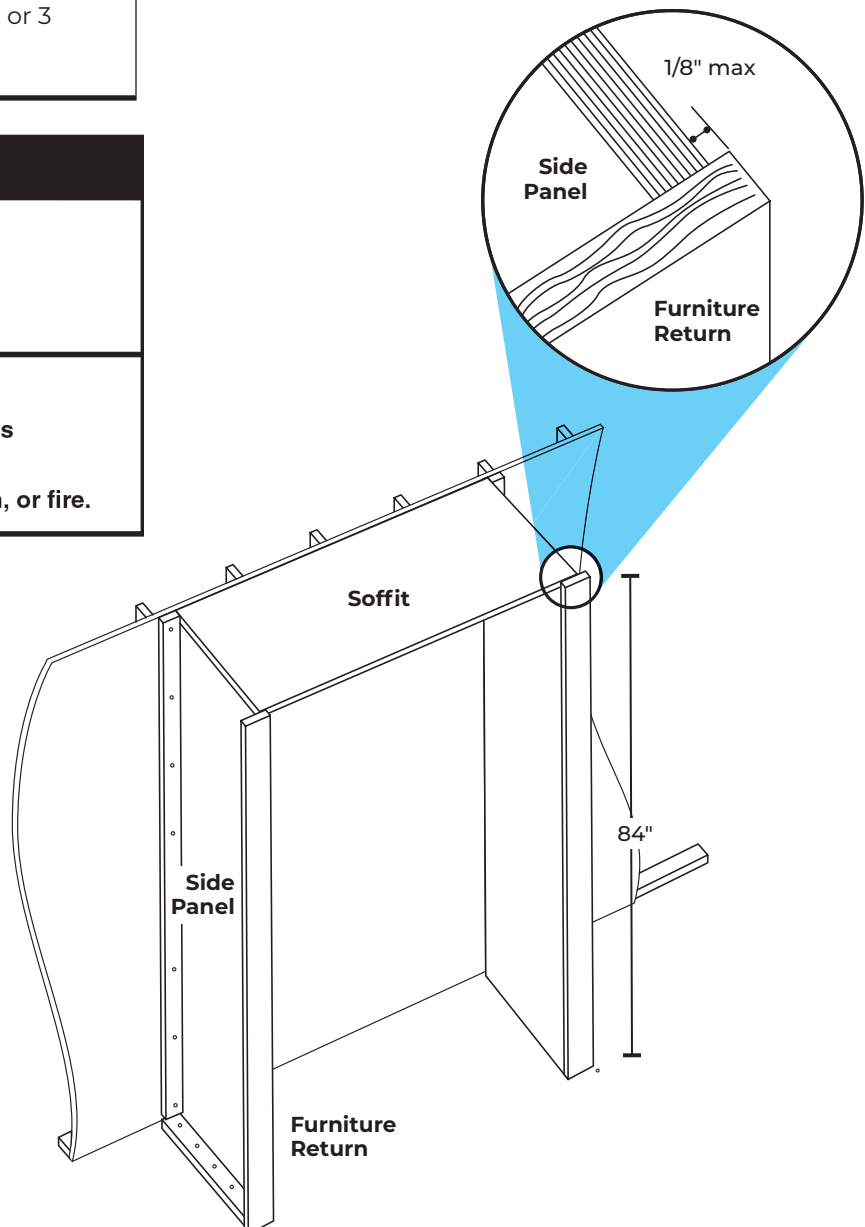
## ⚠ WARNING



### Explosion Hazard

Keep flammable materials and vapors, such as gasoline, away from refrigerator.

Failure to do so can result in death, explosion, or fire.



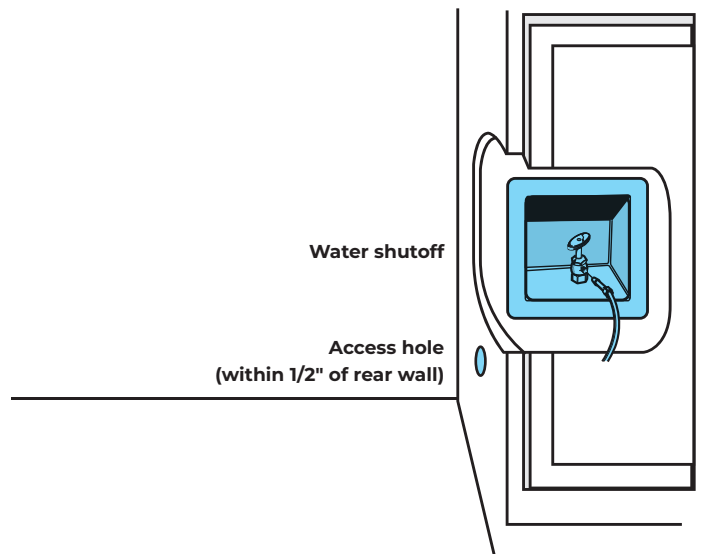
# SITE PREP

## 3. CHECK THE WATER SUPPLY

- Water supply meets local plumbing codes.
- Water shutoff in base cabinet, as shown, or accessible area.
- Access hole through the cabinet is within 1/2" (1.3 cm) of the rear wall.
- Install any additional tubing only where temperatures remain above freezing. Check for leaks.
- Not using a piercing-type or 3/16" (4.8 mm) saddle valve. See refrigerator dealer for saddle-type valve kit that complies with local plumbing codes.
- If water pressure to reverse osmosis system is less than 40 to 60 psi (276 to 414 kPa):
  - Check sediment filter to see if it is blocked. Replace filter if necessary.
  - Allow the storage tank to refill after heavy usage.
  - Remove the water filter cartridge. No filter bypass is necessary.

## WATER SUPPLY REQUIREMENTS

<b>Water Pressure</b>	30 – 120 psi (207 – 827 kPa)
<b>Water Pressure to Reverse Osmosis System</b>	Minimum 40 – 60 psi (276 – 414 kPa)
<b>Excess Water Line for Connection</b>	30" (76.2 cm)
<b>Supply</b>	1/4" OD copper, braided stainless steel or PEX tubing



IF YOU HAVE QUESTIONS ABOUT YOUR WATER SUPPLY, CALL A LICENSED, QUALIFIED PLUMBER.

# SITE PREP

## ⚠ WARNING



### Electrical Shock Hazard

**Plug into a grounded 3 prong outlet.**

**Do not remove ground prong.**

**Do not use an adapter.**

**Do not use an extension cord.**

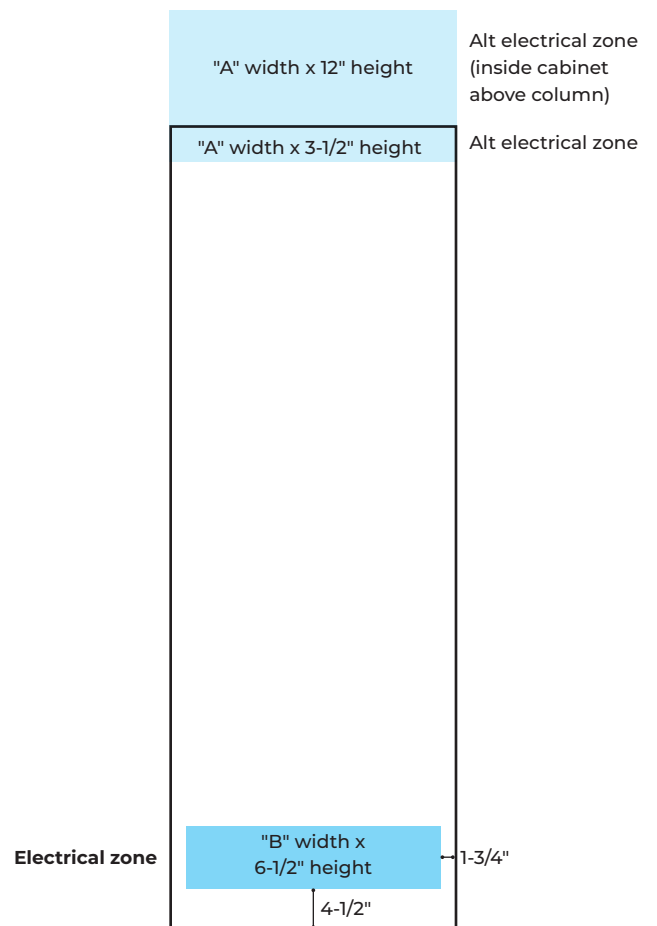
**Failure to follow these instructions can result in death, fire, or electrical shock.**

## 4. CHECK THE ELECTRICAL

- Column on a separate circuit. Outlet cannot be turned off by a switch.
- Not using an extension cord.
- Not using a GFCI protected outlet.
- Electrical installed in the zones highlighted. (See graphic to the right.)

## ELECTRICAL REQUIREMENTS

Product Width/ Alternate Electrical Zone Width "A"	Electrical Zone Width "B"
18" (45.7 cm)	14-1/2" (36.8 cm)
24" (60.1 cm)	20-1/2" (52 cm)
30" (76.2 cm)	26-1/2" (67.3 cm)
36" (91.4 cm)	32-1/2" (82.6 cm)



**IF YOU HAVE QUESTIONS ABOUT YOUR ELECTRICAL SUPPLY, CALL A LICENSED, QUALIFIED ELECTRICIAN.**

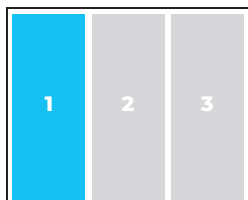
# SITE PREP

## 5. PRE-INSTALLATION CHECK

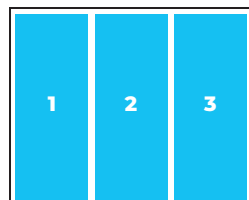
- Verify customer's selected door style.
- Remove all installation materials from the deli drawer.
- Mark selected door style on templates and door depth gauges with a permanent marker.
- Verify that the diagonal measurements of opening match.
- Check design considerations document to verify panel and toe-kick dimensions, as well as gaps and overlays.
- Check for correct join kits based on configuration, left/right side, hinge/non-hinge and installation order.

## INSTRUCTION KEY

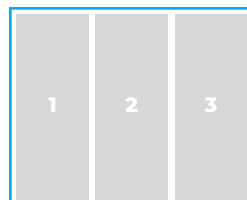
This helpful key tells you where you'll be performing the steps in the following sections. Note that columns are installed and numbered from left to right.



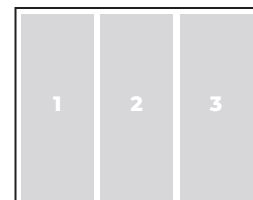
Perform the step on the column highlighted in blue.



Perform the step on every column you are installing.



Perform the step on the furniture.



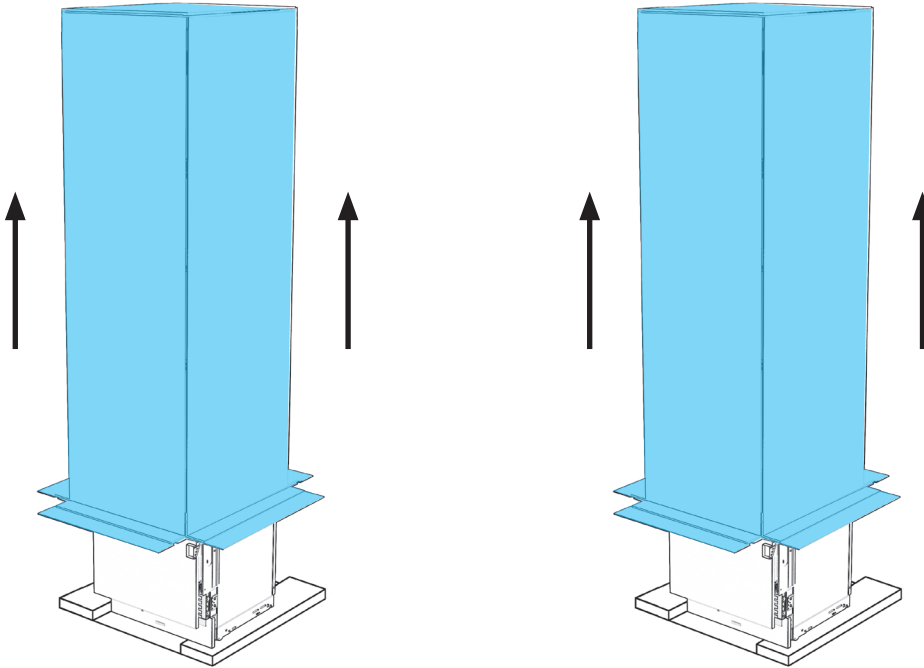
Perform the step on a part that is not attached to a column, such as a door panel or toe-kick.

**P R E P A R E**  
COLUMNS



1.1

UNCRATE COLUMNS AND JOIN KITS, DISCARDING CARTONS.



REMOVE INSTALLATION KITS FROM DELI DRAWERS WHILE ON SKIDS.

BEFORE MOVING COLUMNS, REVIEW ALL WARNINGS.

**⚠ WARNING**



**Tip Over Hazard**

Refrigerator is top heavy and tips easily when not completely installed.

Keep doors taped closed until refrigerator is completely installed.

Use two or more people to move and install refrigerator.

Failure to do so can result in death or serious injury.

**When Moving Your Refrigerator:**

Your refrigerator is heavy. When moving the refrigerator for cleaning or service, be sure to cover the floor with cardboard or hardboard to avoid floor damage. Always pull the refrigerator straight out when moving it. Do not wiggle or “walk” the refrigerator when trying to move it, as floor damage could occur.

**Important information to know about glass shelves and covers:**

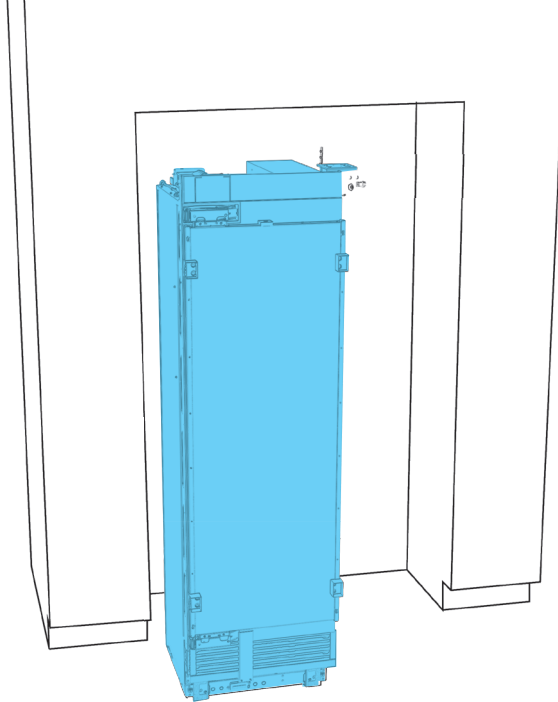
Do not clean glass shelves or covers with warm water when they are cold. Shelves and covers may break if exposed to sudden temperature changes or impact, such as bumping. Tempered glass is designed to shatter into many small, pebble-size pieces. This is normal. Glass shelves and covers are heavy. Use both hands when removing them to avoid dropping.

# 1

## PREPARE COLUMNS

### 1.2

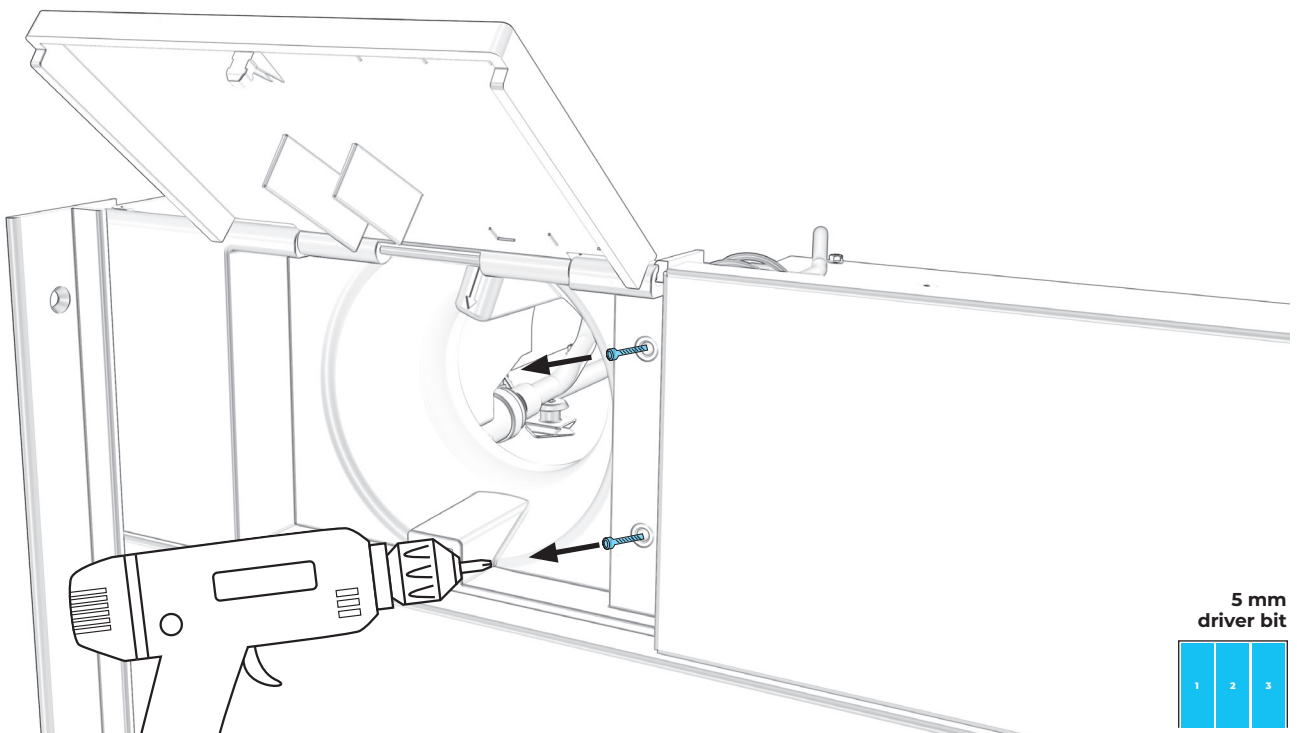
EACH COLUMN: MOVE IN FRONT OF OPENING.



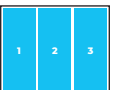
USE TWO PEOPLE. DO NOT OPEN DOORS UNTIL COLUMN IS SECURED.

### 1.3

EACH COLUMN: REMOVE BOTH WATER FILTER SCREWS.

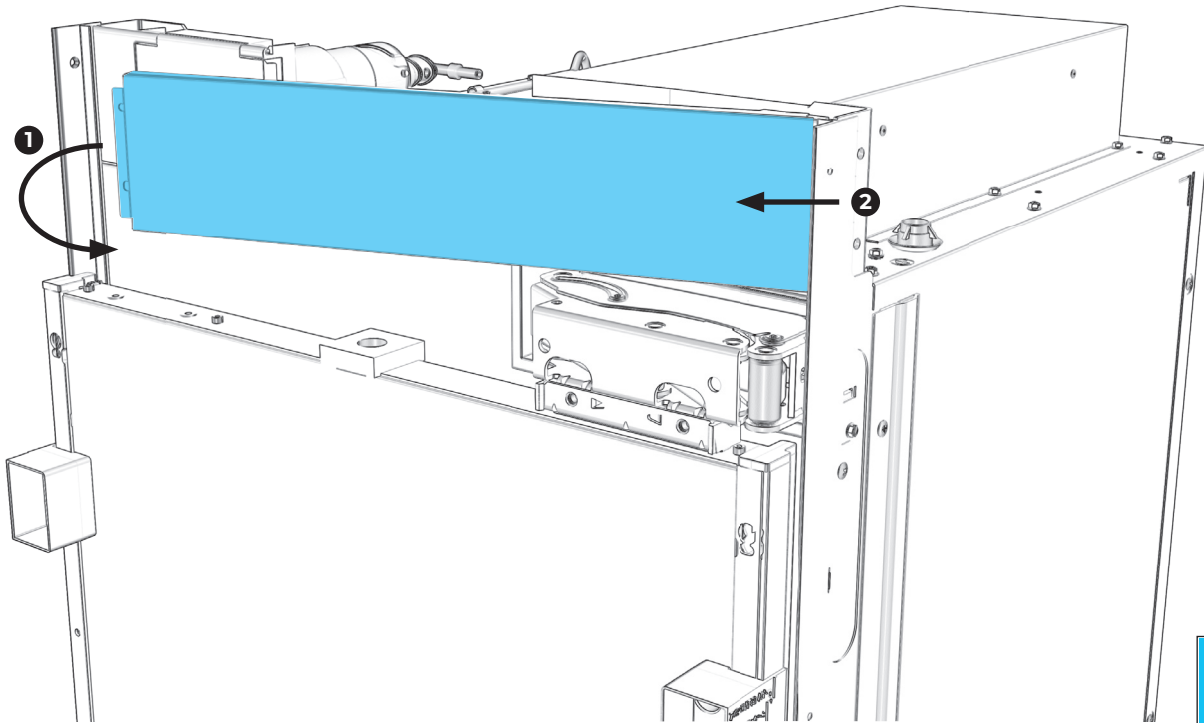


5 mm  
driver bit



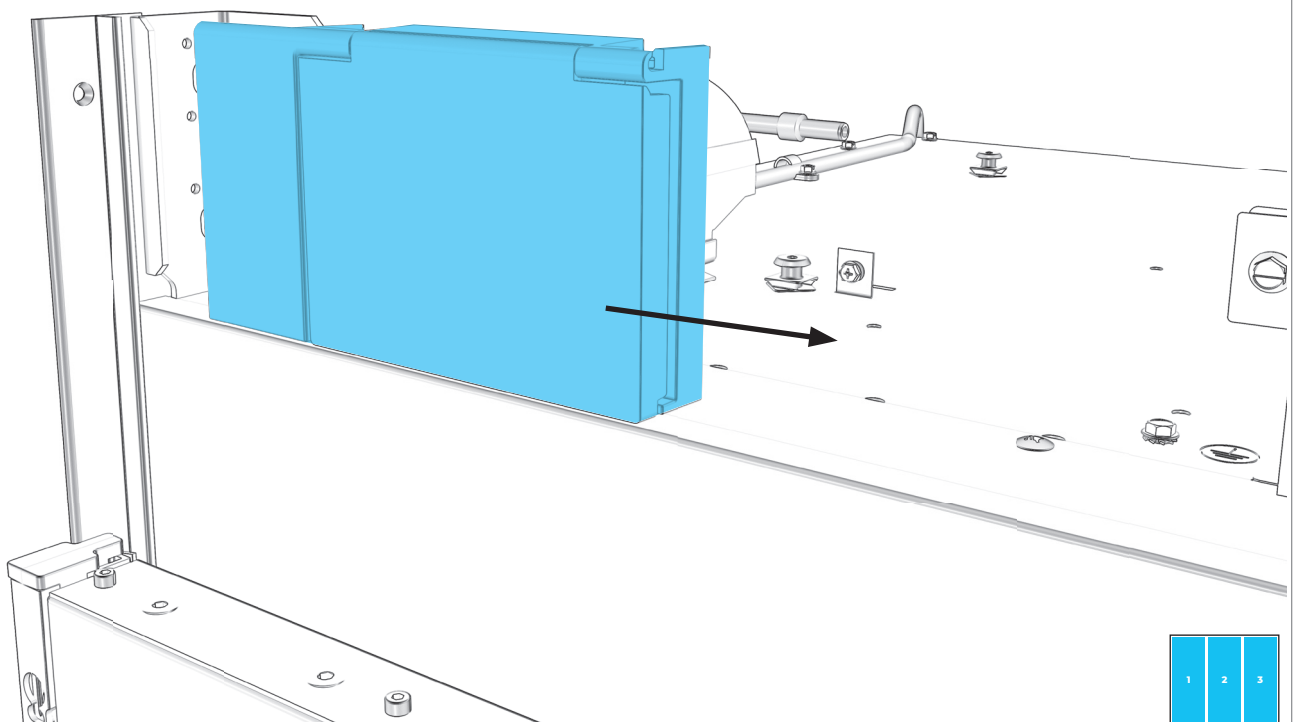
1.4

EACH COLUMN: PULLING LEFT, REMOVE FACEPLATE.



1.5

EACH COLUMN: PULL HOUSING FORCEFULLY RIGHT, REMOVE.

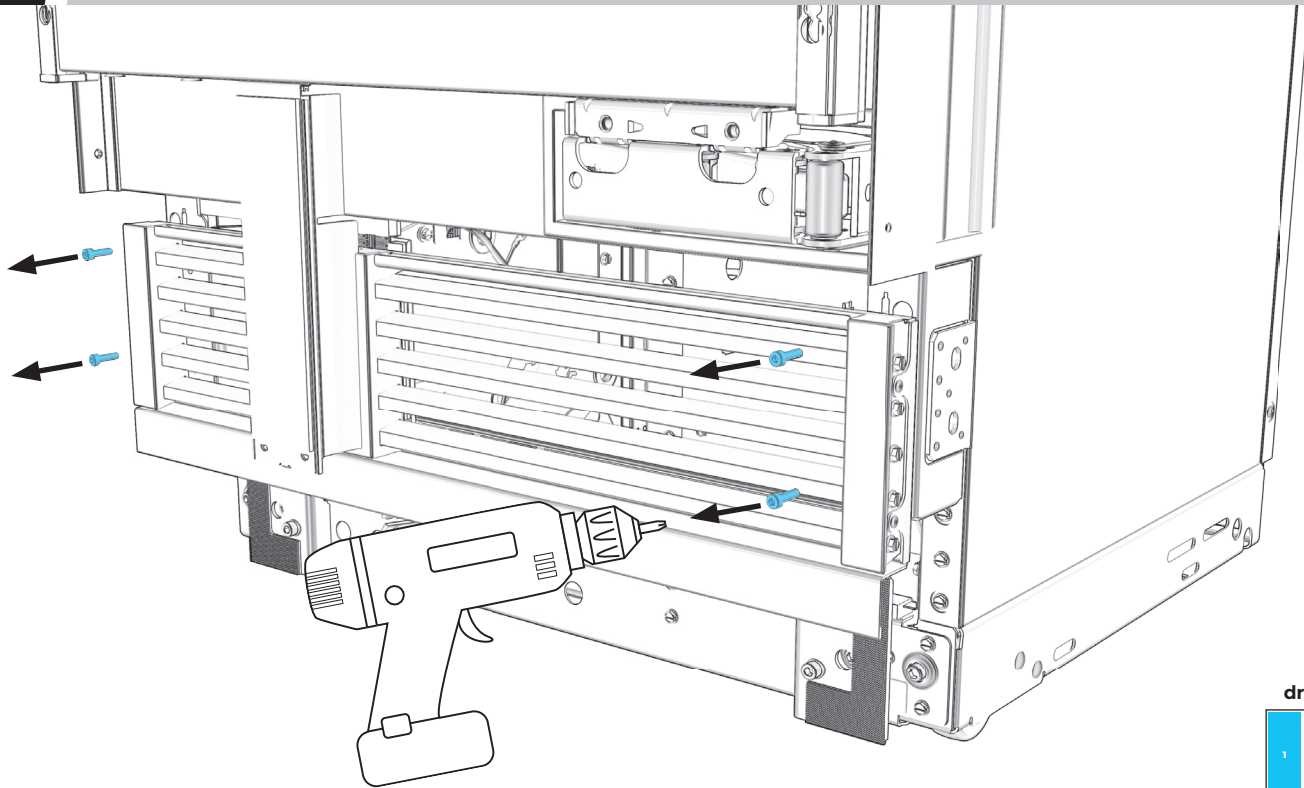


# 1

## PREPARE COLUMNS

### 1.6

EACH COLUMN: REMOVE FOUR AIR GRILLE SCREWS.

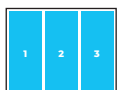
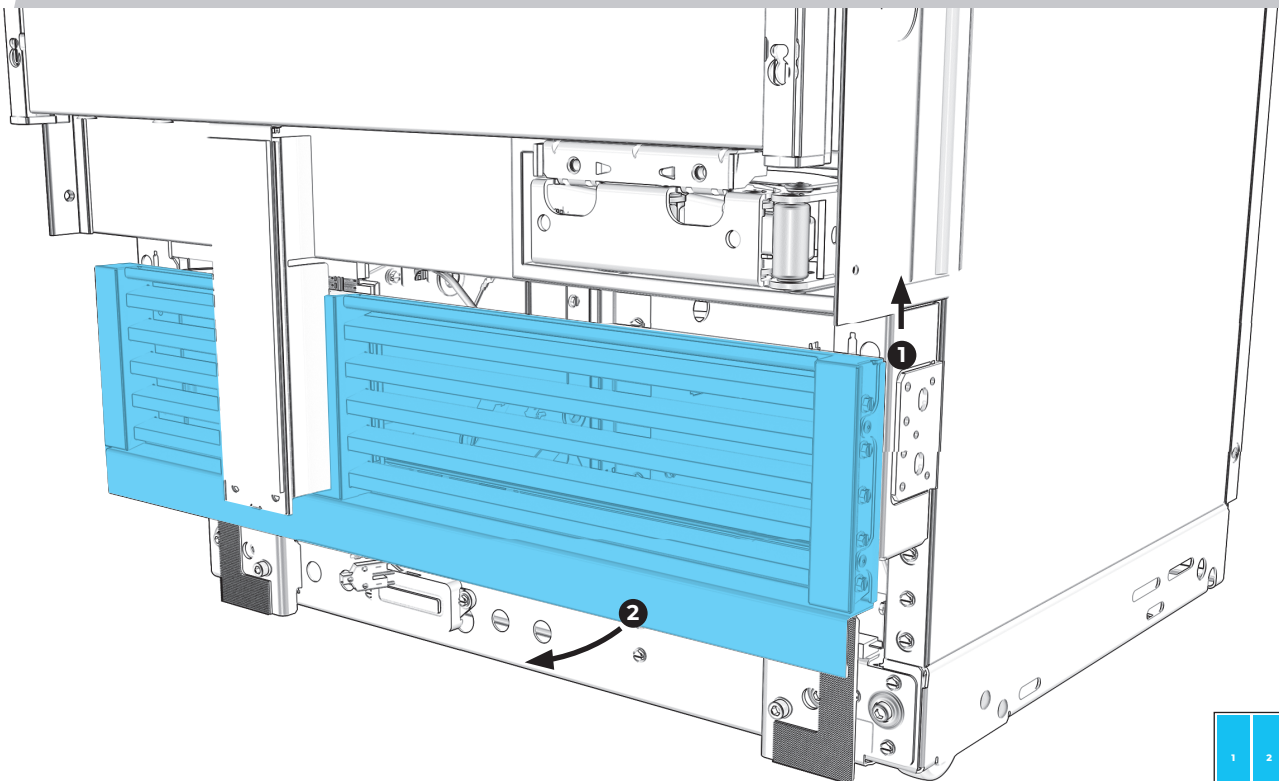


5 mm  
driver bit



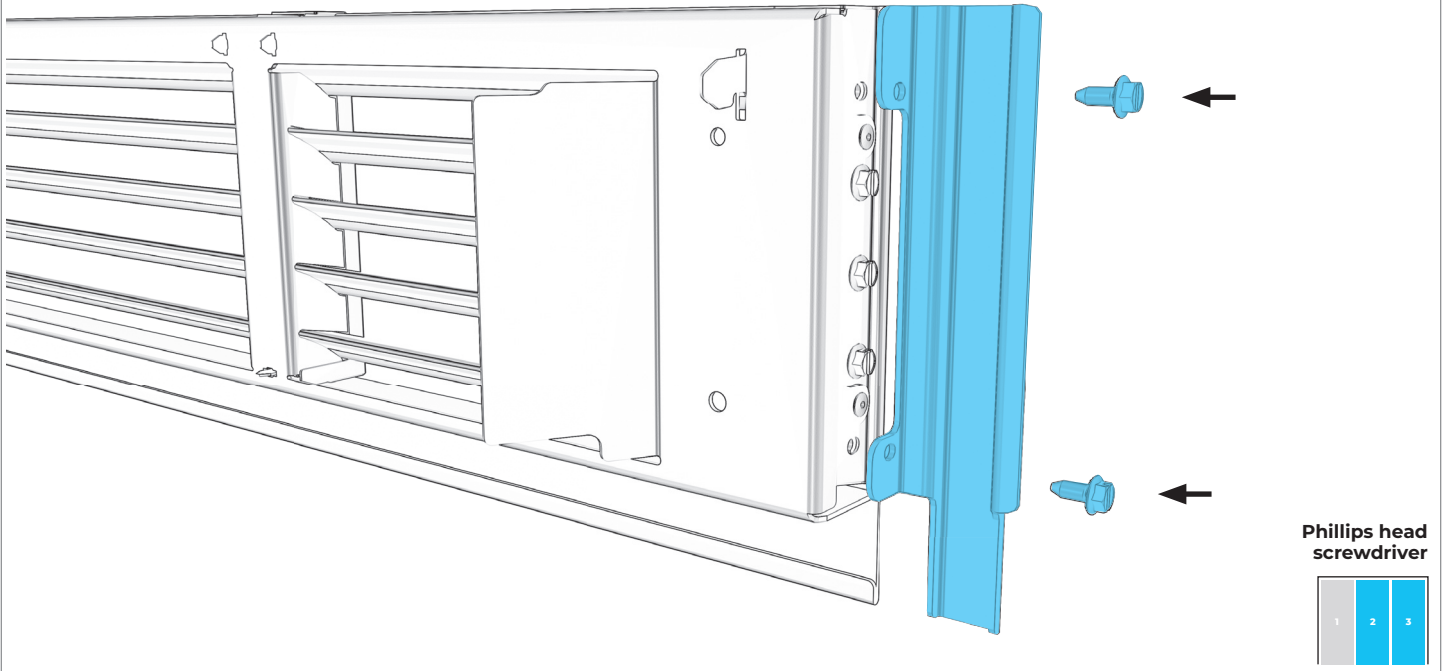
### 1.7

EACH COLUMN: REMOVE BASE AIR GRILLE.



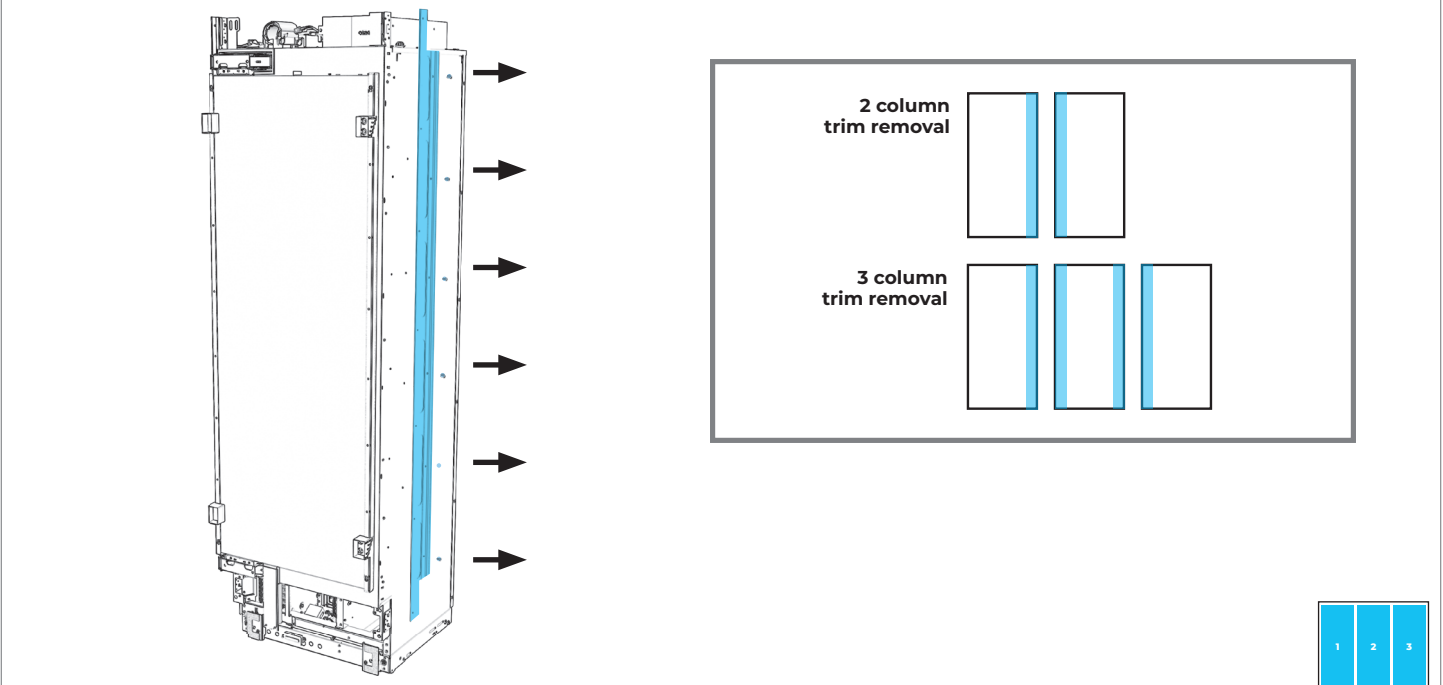
1.8

SECOND (AND THIRD, IF APPLICABLE) COLUMN: INSTALL AIR GRILLE TRIM.



1.9

REMOVE TRIMS BETWEEN COLUMNS.



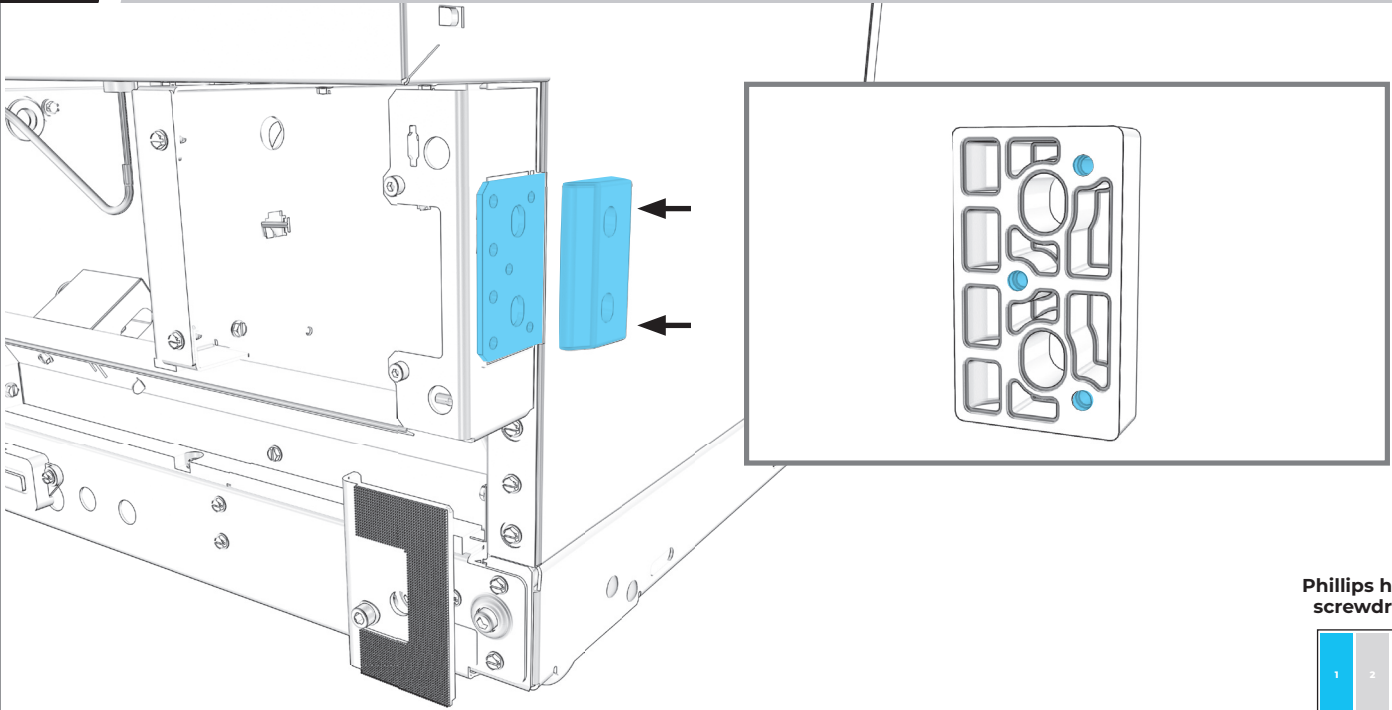
LEAVE TRIMS IN PLACE ON FURNITURE SIDES.

# 1

## PREPARE COLUMNS

### 1.10

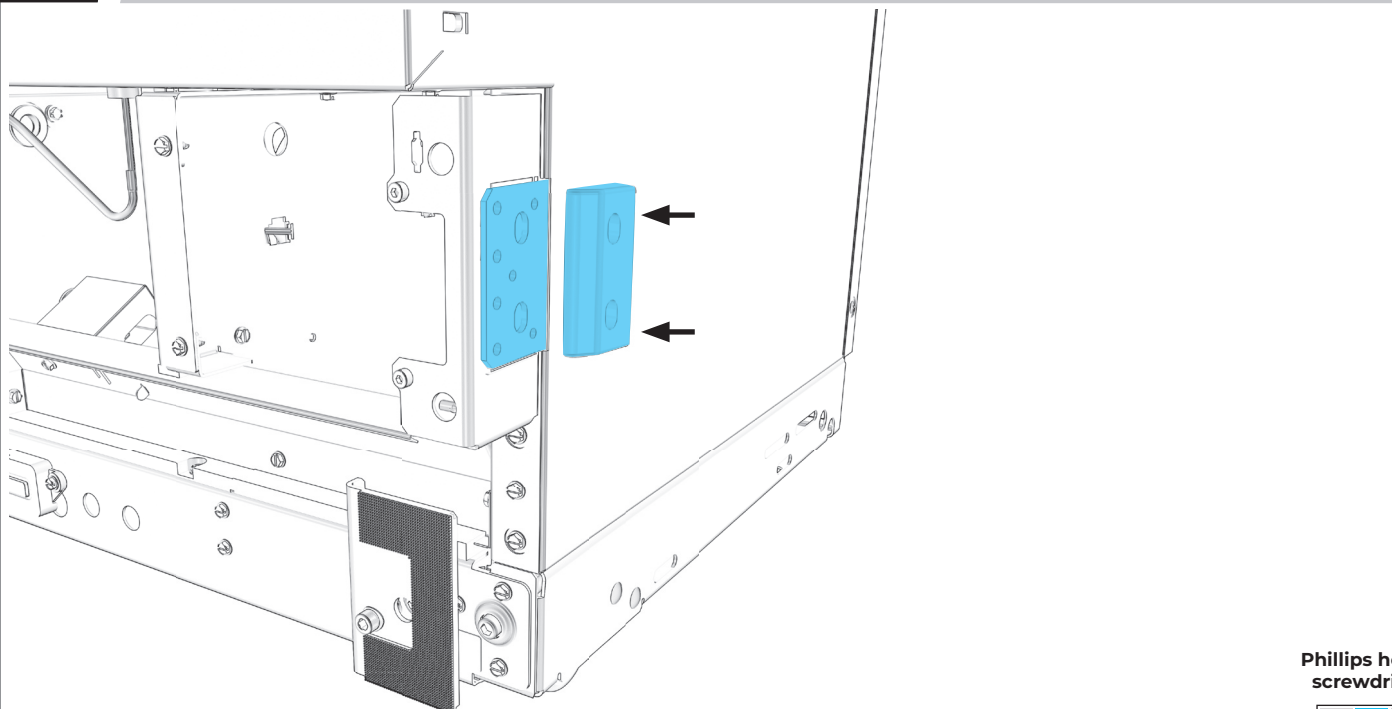
FIRST COLUMN: INSTALL SPACER.



MAKE SURE NARROW EDGE FACES OUT.

### 1.11

IF INSTALLING THREE COLUMNS: REPEAT 1.10 ON SECOND COLUMN.



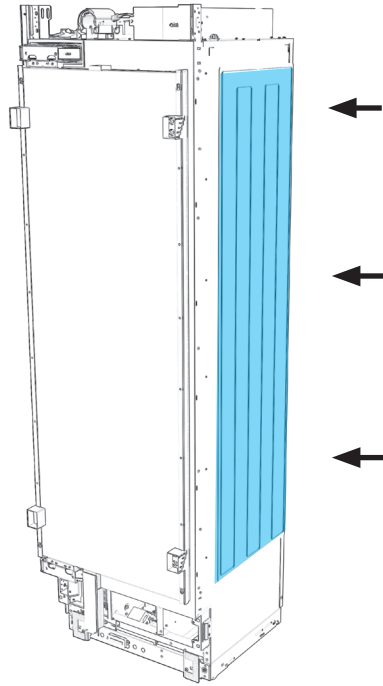
**P R E P A R E**  
JOIN KIT

# 2

## PREPARE JOIN KIT

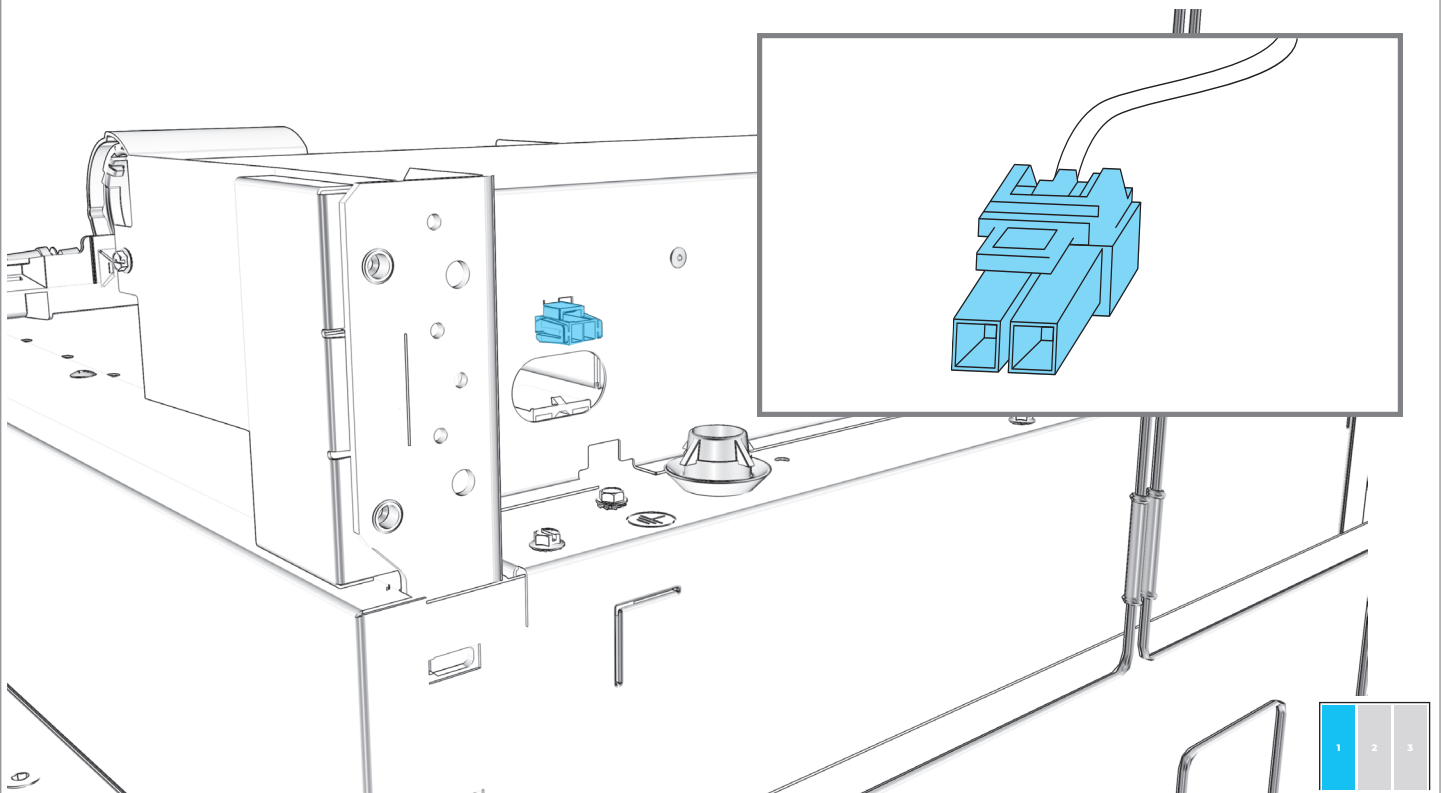
### 2.1

#### FIRST COLUMN: ALIGN AND ADHERE HEATER.



### 2.2

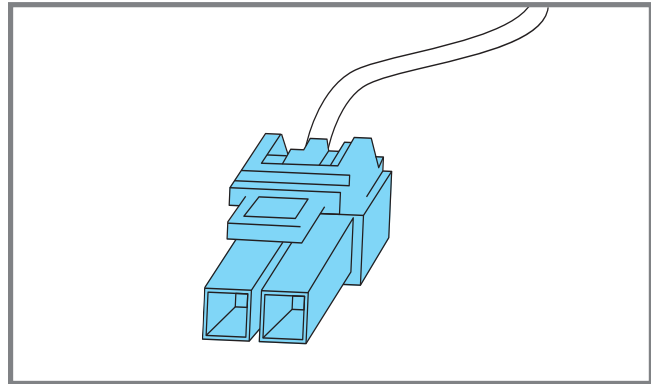
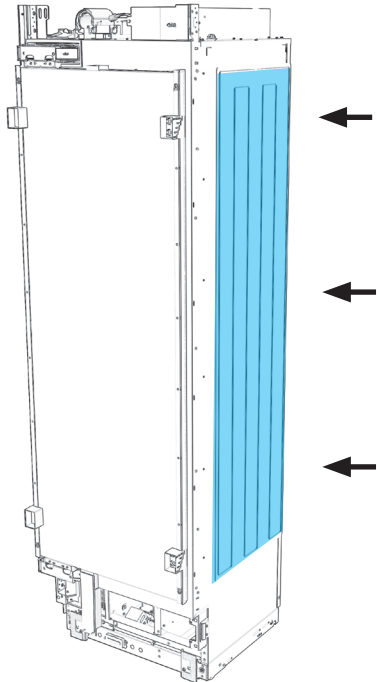
#### PLUG HEATER INTO COLUMN.





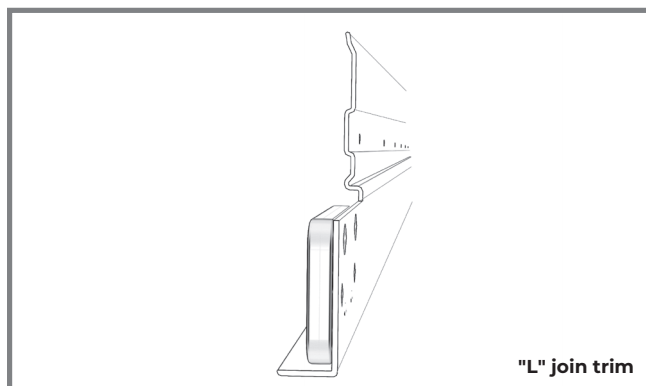
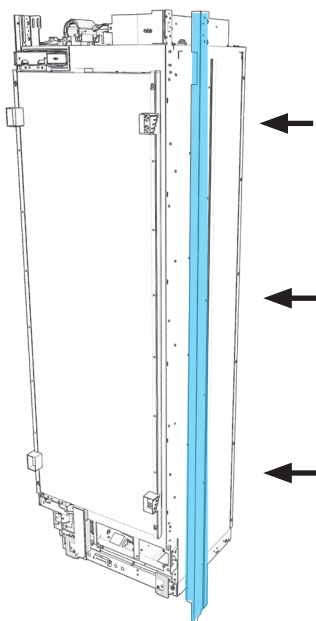
## 2.3

REPEAT 2.1-2.2 ON SECOND COLUMN.



## 2.4

FIRST COLUMN: INSTALL "L" JOIN TRIM.



Phillips head  
screwdriver

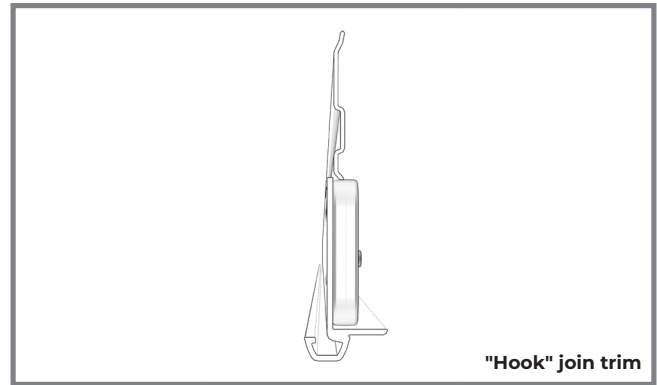
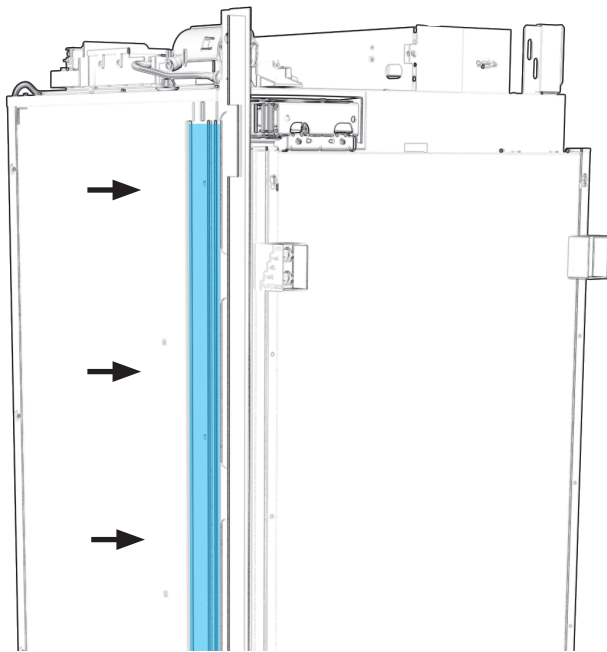


# 2

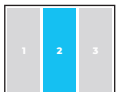
## PREPARE JOIN KIT

### 2.5

SECOND COLUMN: INSTALL "HOOK" JOIN TRIM.

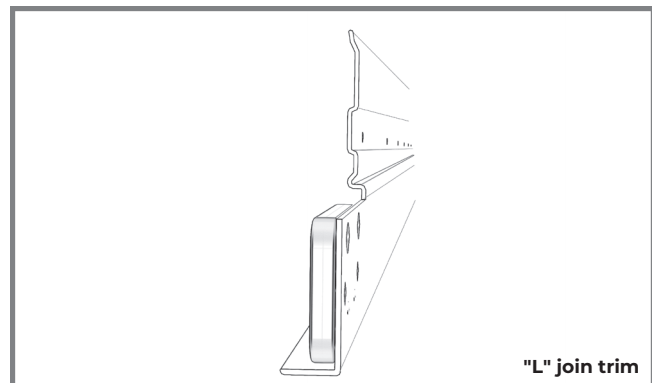
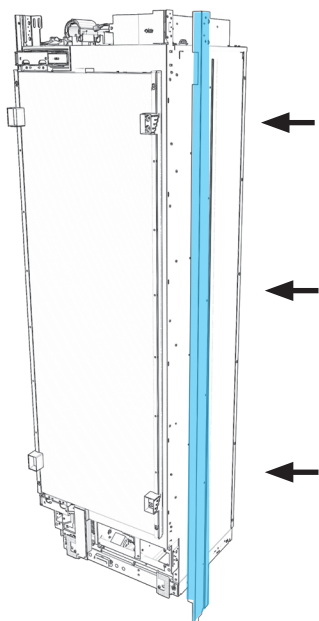


Phillips head screwdriver



### 2.6

IF INSTALLING THREE COLUMNS: INSTALL "L" JOIN TRIM ON SECOND COLUMN.

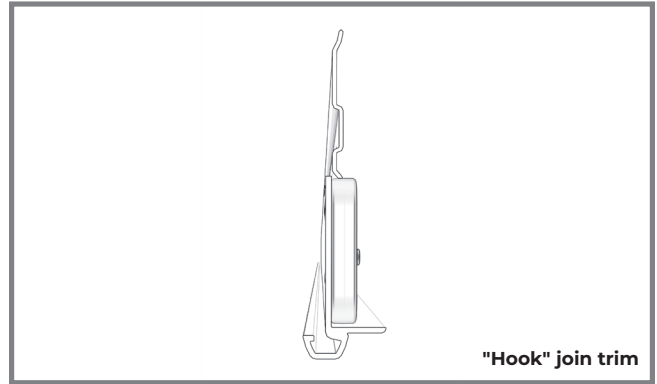
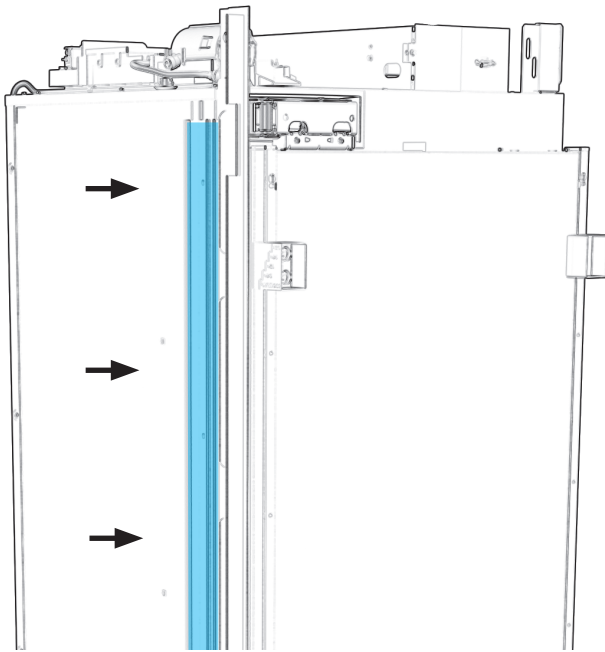


Phillips head screwdriver



2.7

IF INSTALLING THREE COLUMNS: INSTALL "HOOK" JOIN TRIM ON THIRD COLUMN.



Phillips head  
screwdriver

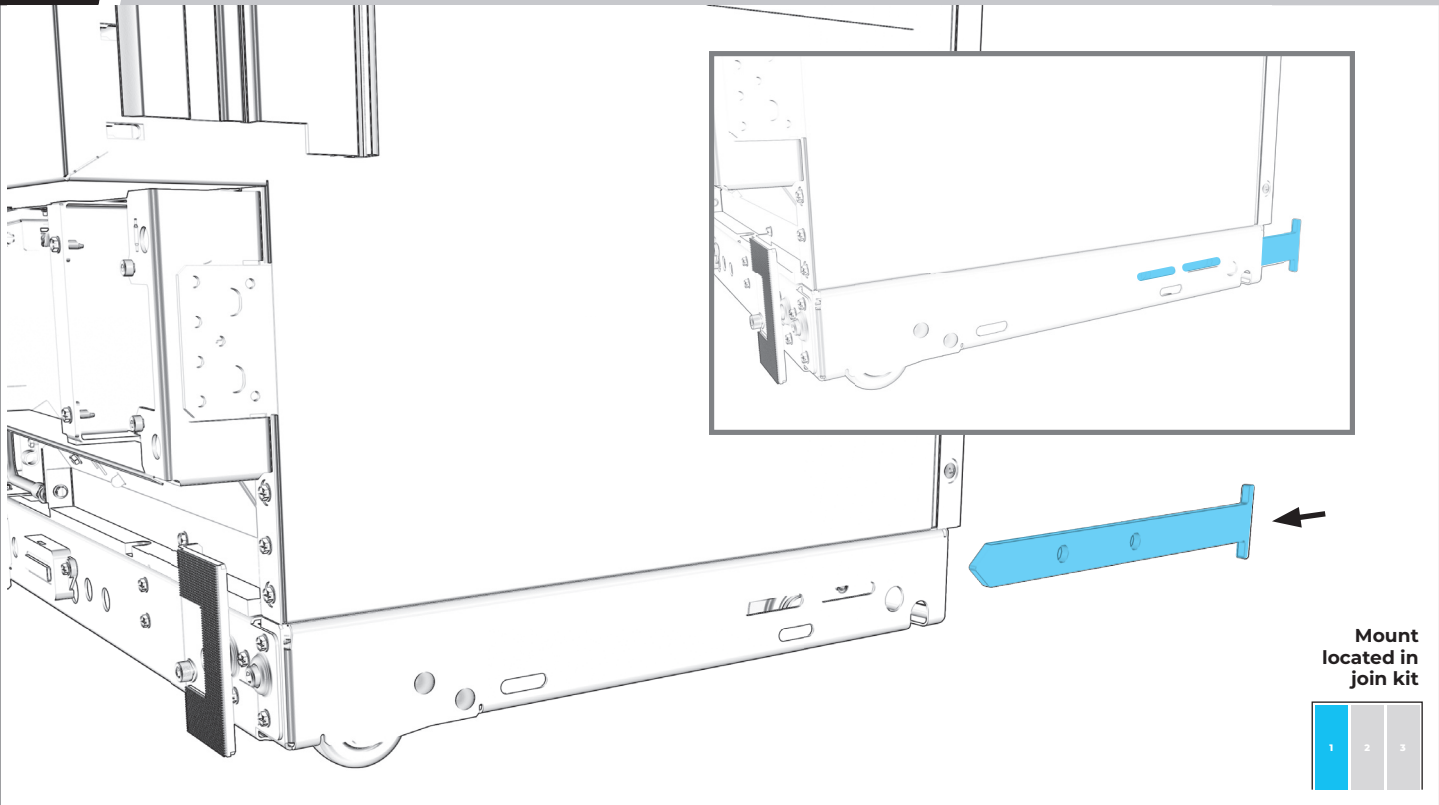




**P R E P A R E**  
POSITIONING BRACKET

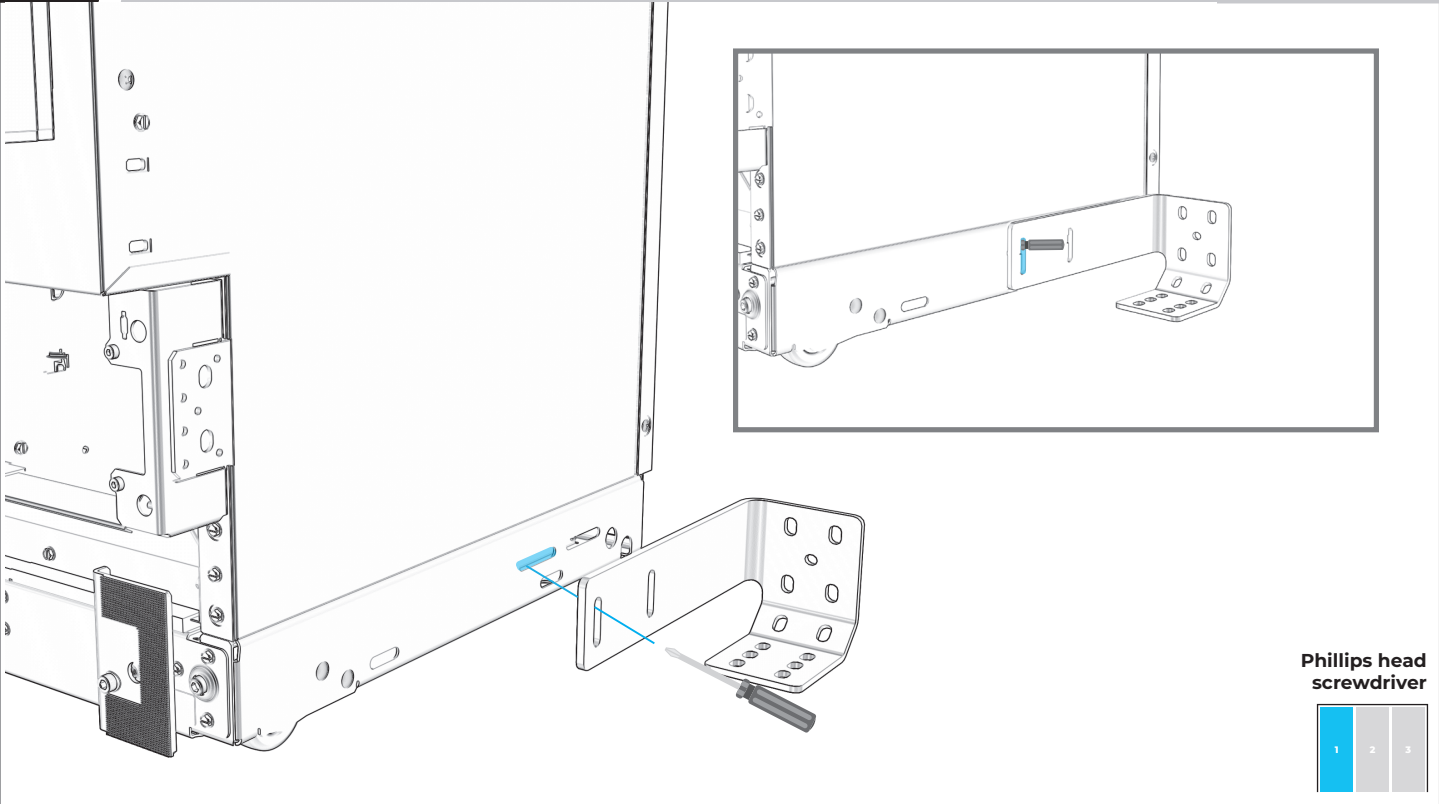
3.1

FIRST COLUMN: SLIDE MOUNT INTO INSTALLATION SLOT.



3.2

USE SCREWDRIVER TO ENSURE HOLES ARE ALIGNED.

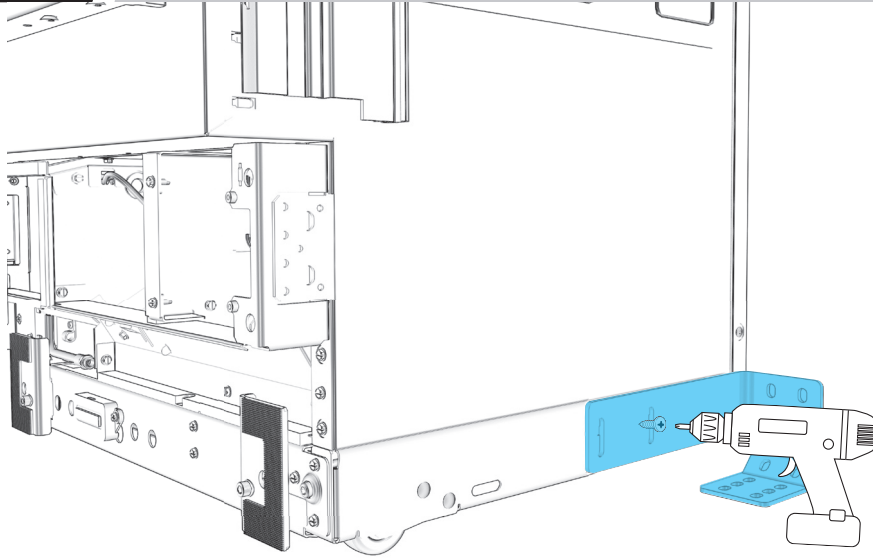


# 3

## PREPARE POSITIONING BRACKET

### 3.4

LOOSELY ATTACH POSITIONING BRACKET TO MOUNT.



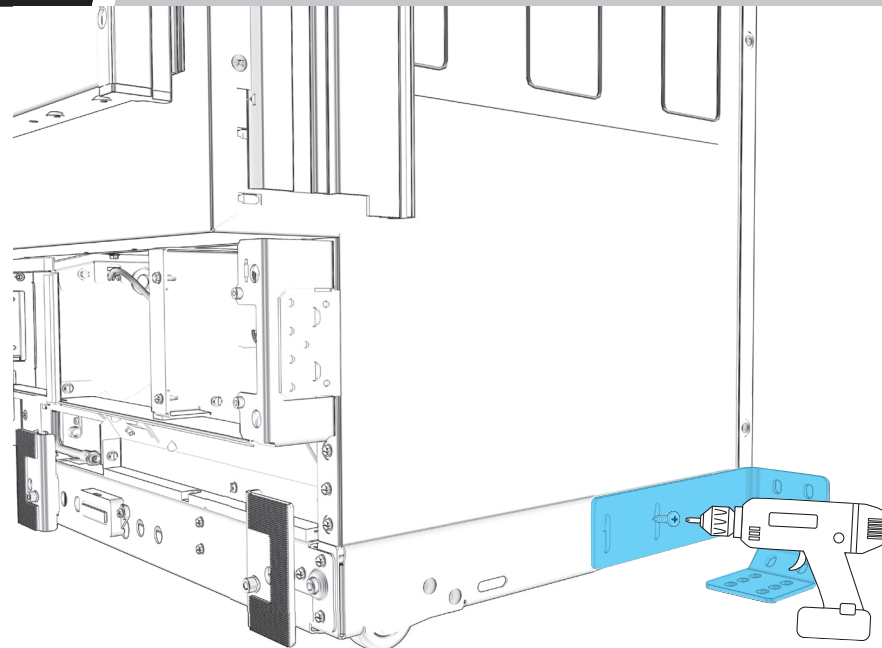
M6 socket



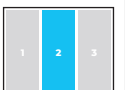
FINAL PLACEMENT DETERMINED ONCE COLUMNS ARE FULLY RAISED.

### 3.5

IF INSTALLING A THIRD COLUMN: REPEAT 3.1-3.4 ON SECOND COLUMN.



M6 socket





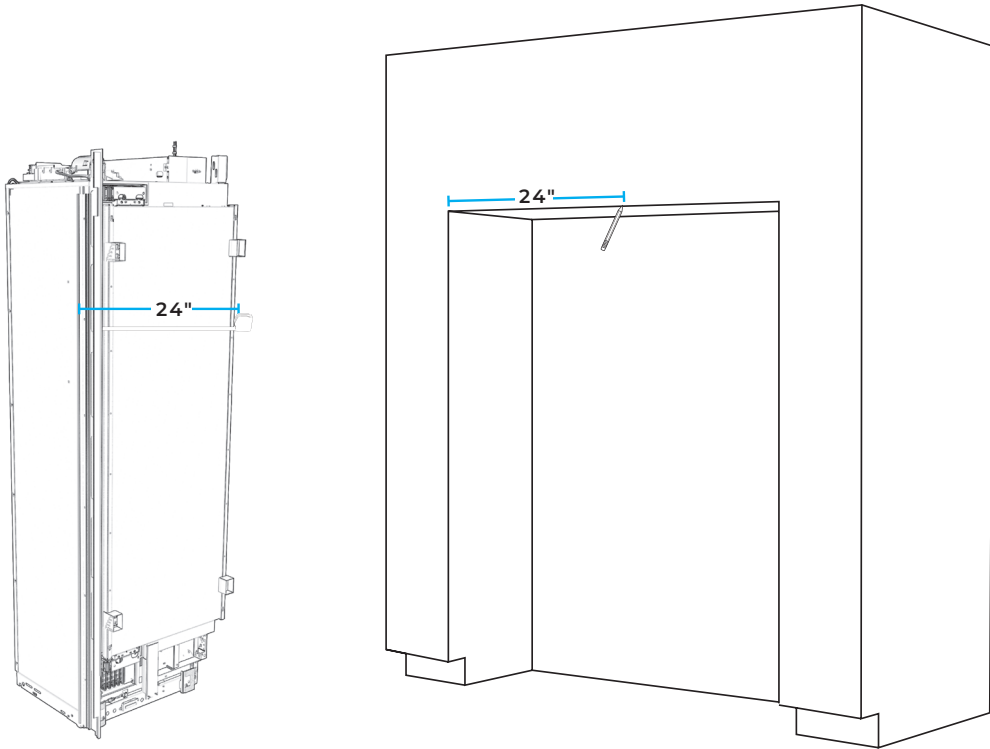
**B A D A S S**  
**BRACKET INSTALLATION**

# 4

## BADASS BRACKET INSTALLATION

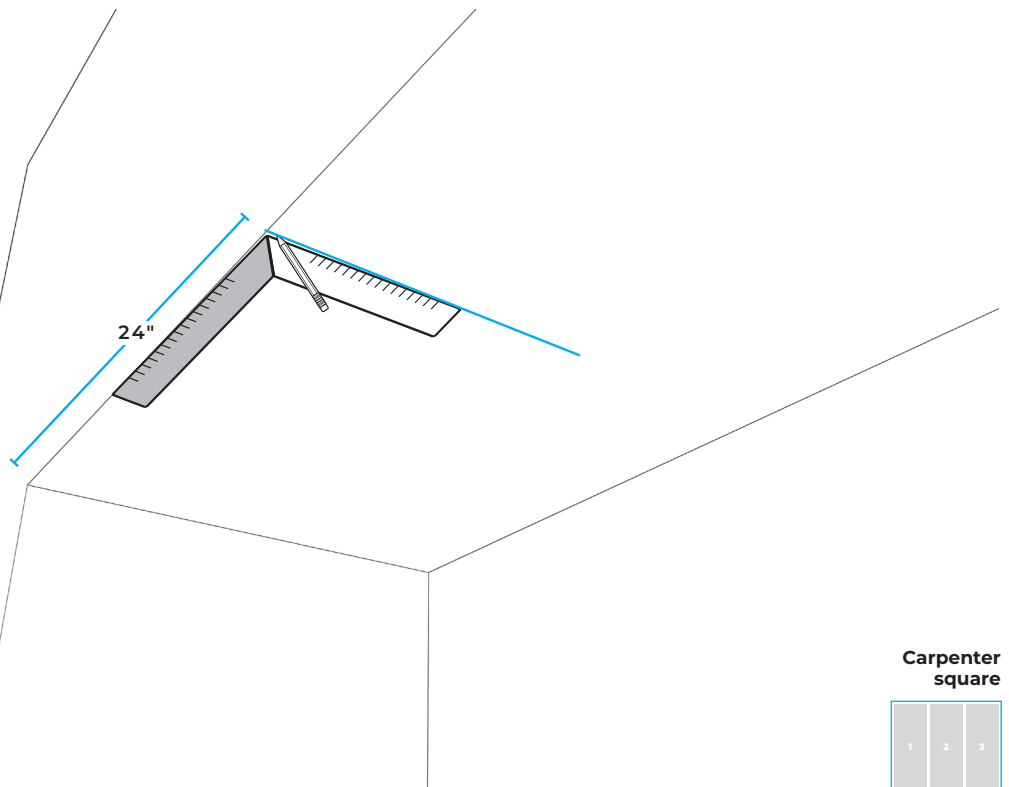
### 4.1

MARK LINE AT FIRST COLUMN'S WIDTH FROM LEFT-SIDE FACE FRAME.



### 4.2

WITH CARPENTER SQUARE, DRAW LINE PERPENDICULAR TO FACE FRAME.



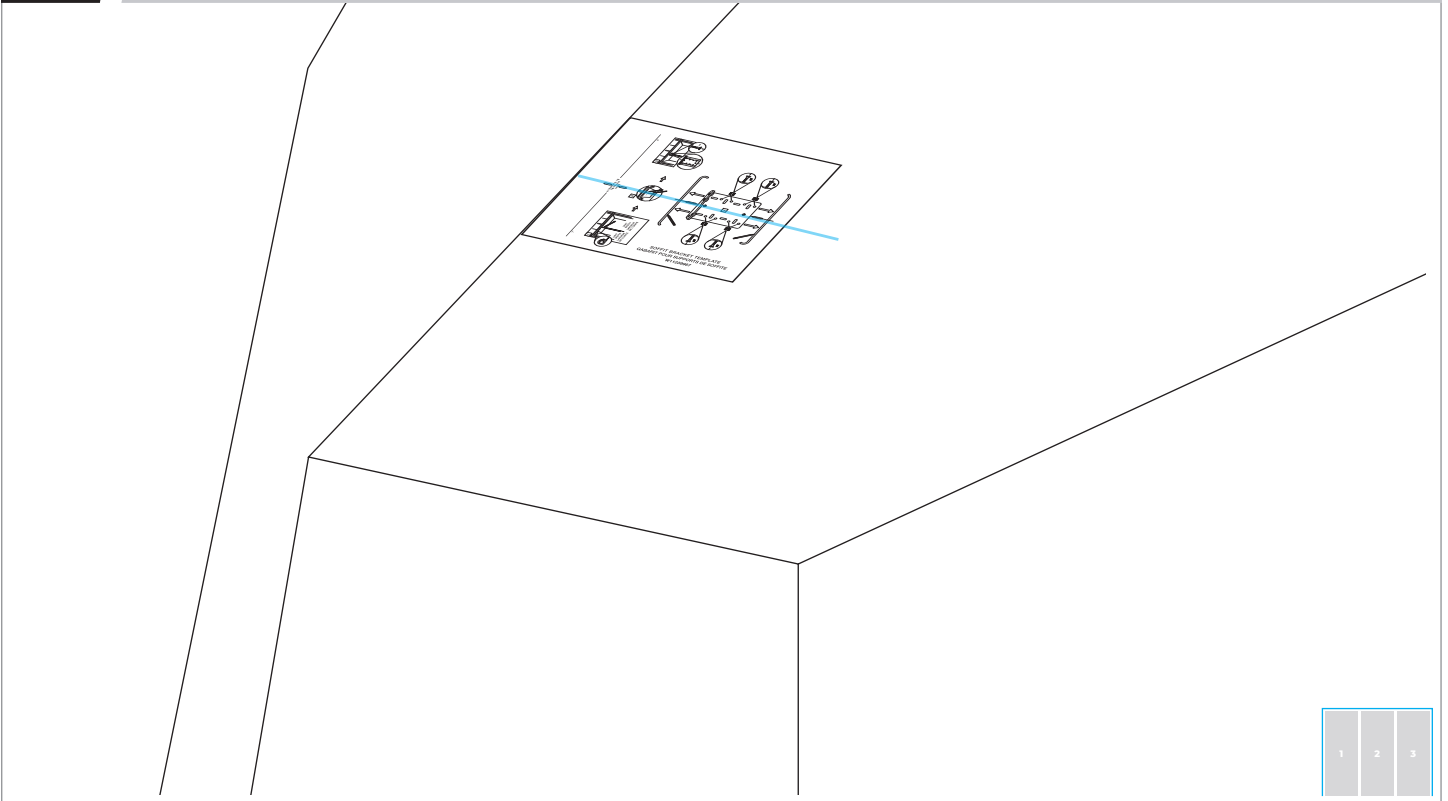
Carpenter  
square





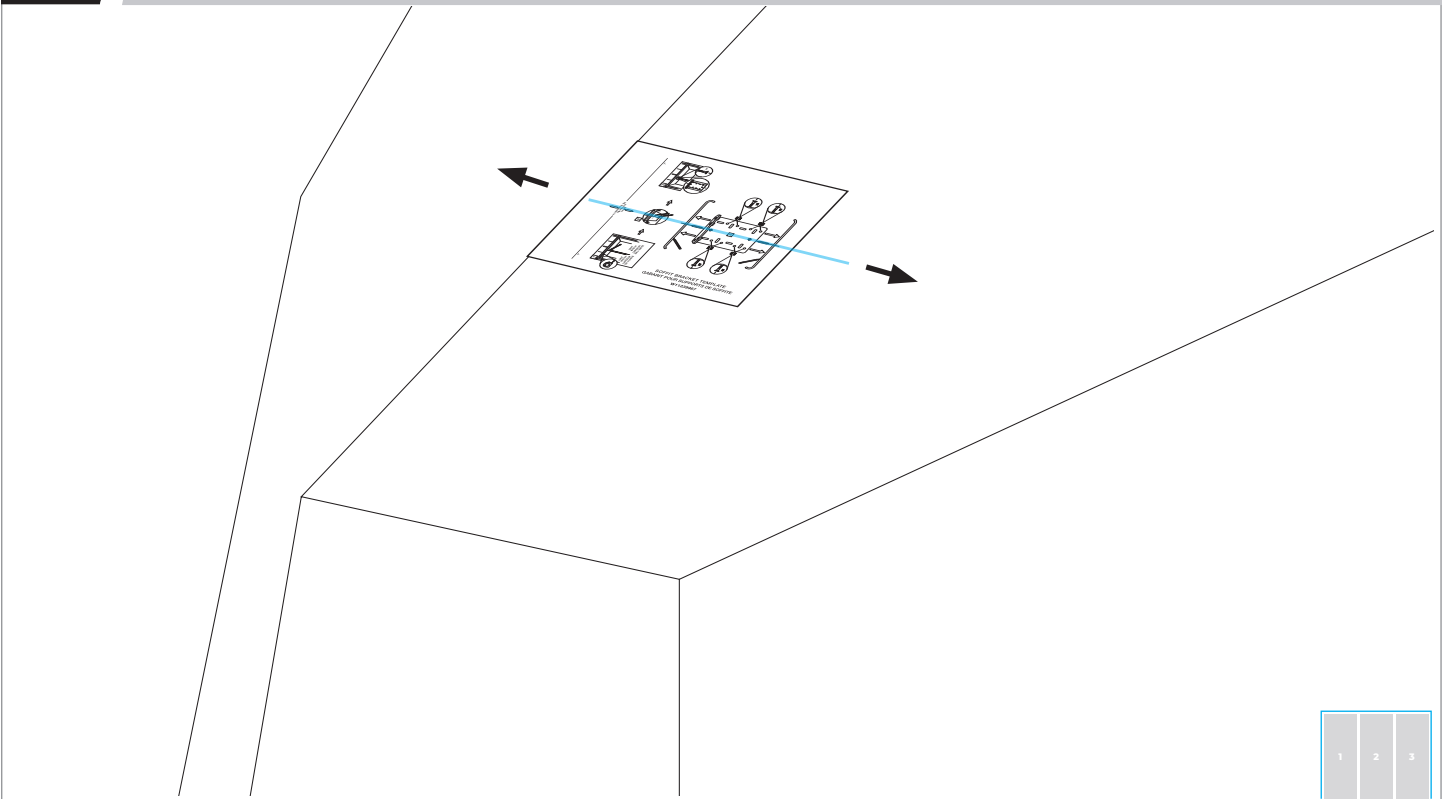
4.3

ALIGN BRACKET TEMPLATE CENTER SLOTS WITH WIDTH LINE.



4.4

ALIGN THE PREVIOUSLY SELECTED DOOR STYLE LINE WITH CABINET FACE.

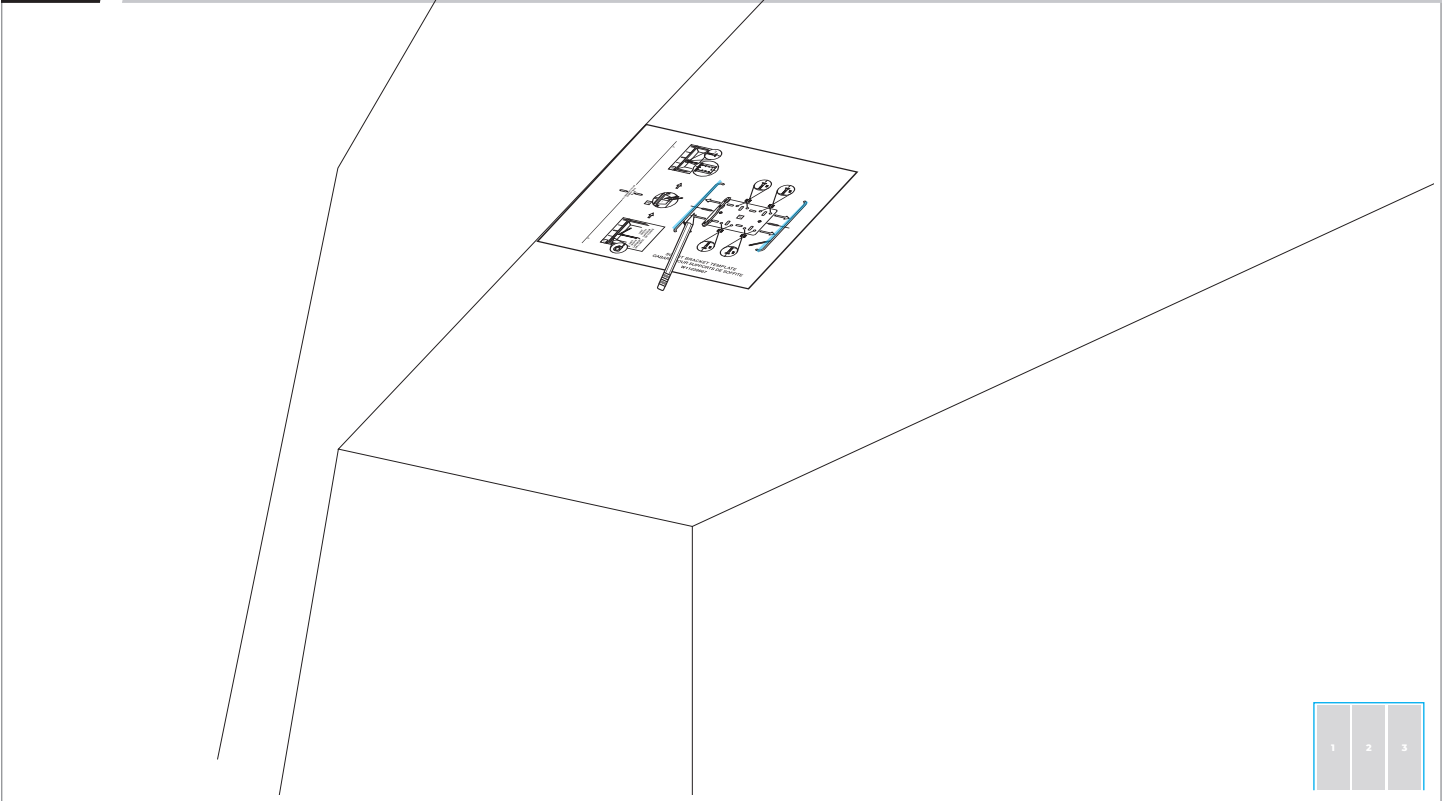


# 4

## BADASS BRACKET INSTALLATION

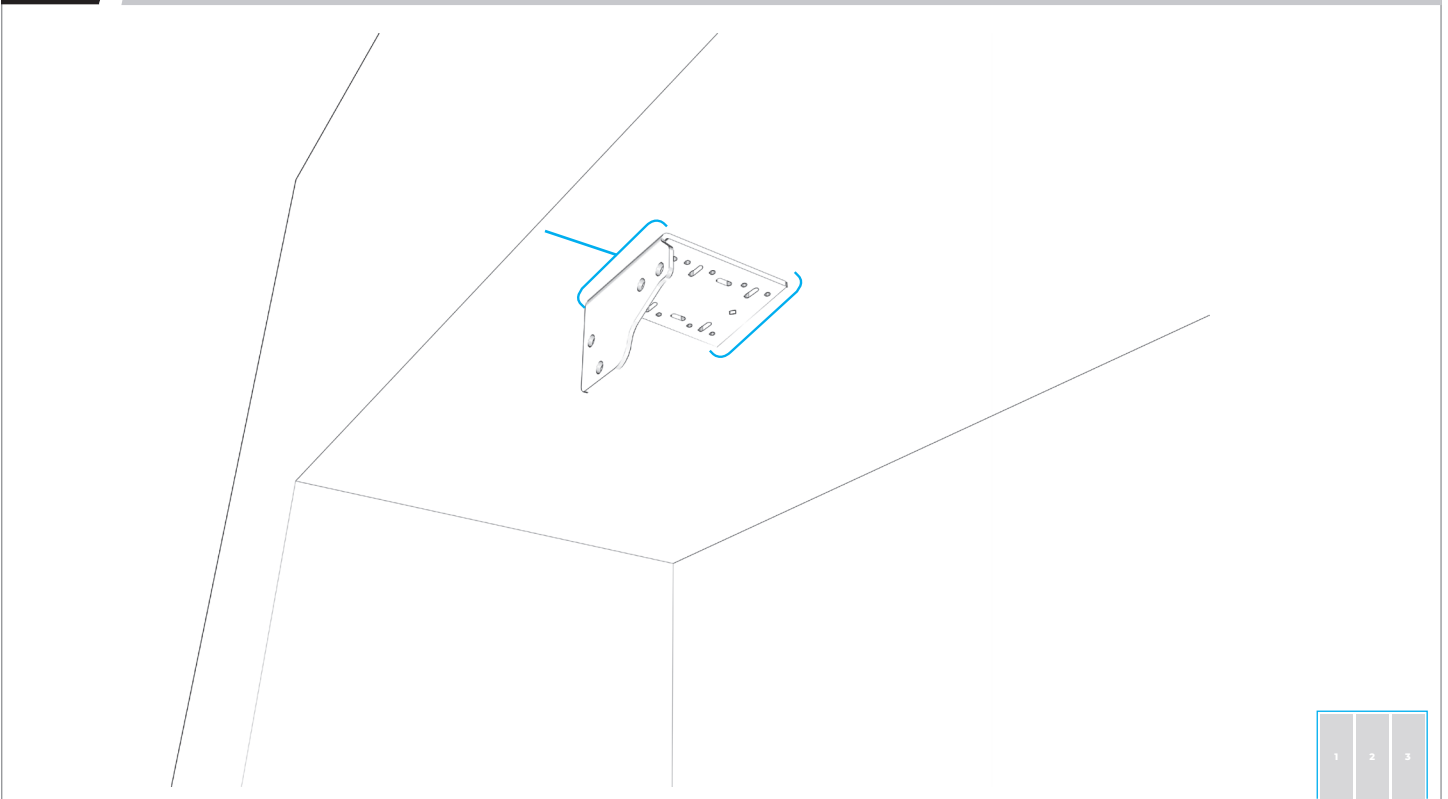
### 4.5

MARK TWO LINES.



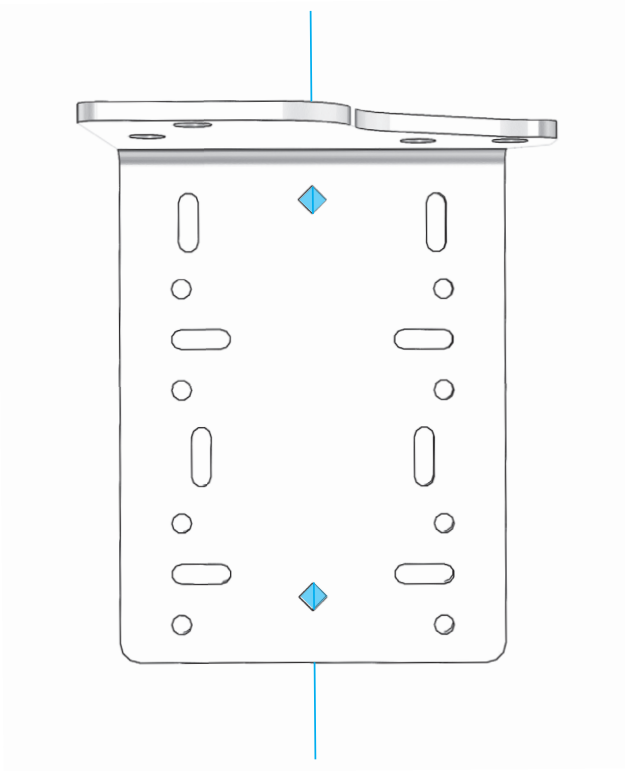
### 4.6

ALIGN BRACKET.



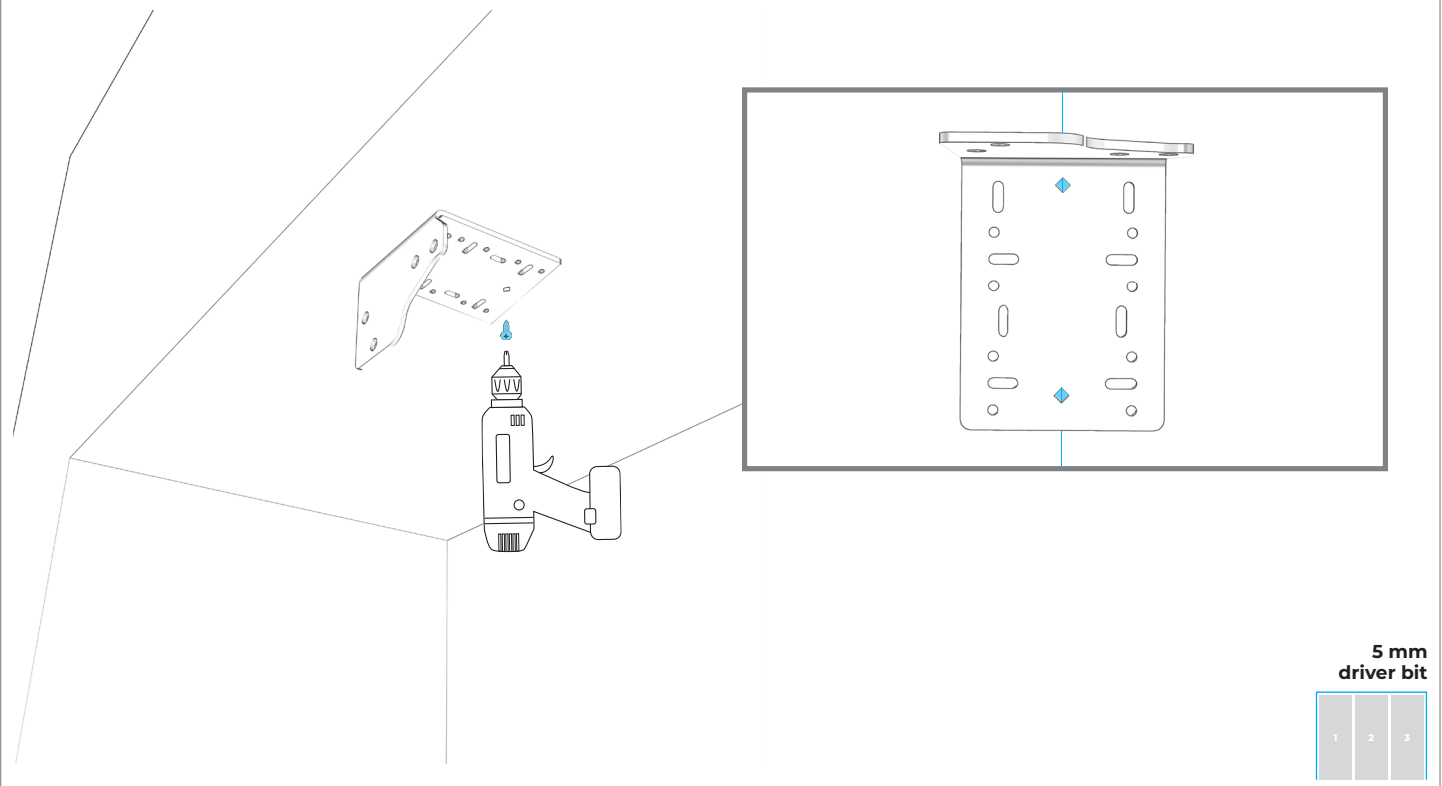
4.7

ALIGN POINTS OF DIAMOND-SHAPED HOLES WITH WIDTH LINE.



4.8

LOOSELY ATTACH BRACKET TO SOFFIT.



5 mm  
driver bit

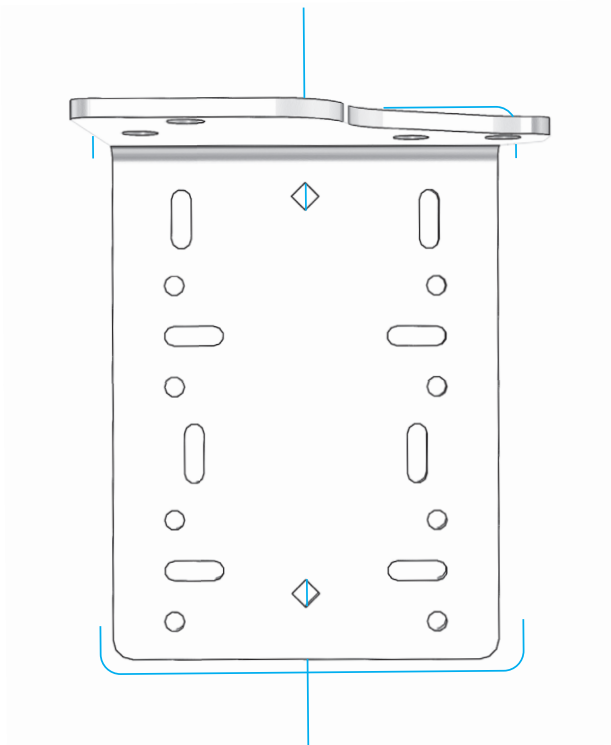


# 4

## BADASS BRACKET INSTALLATION

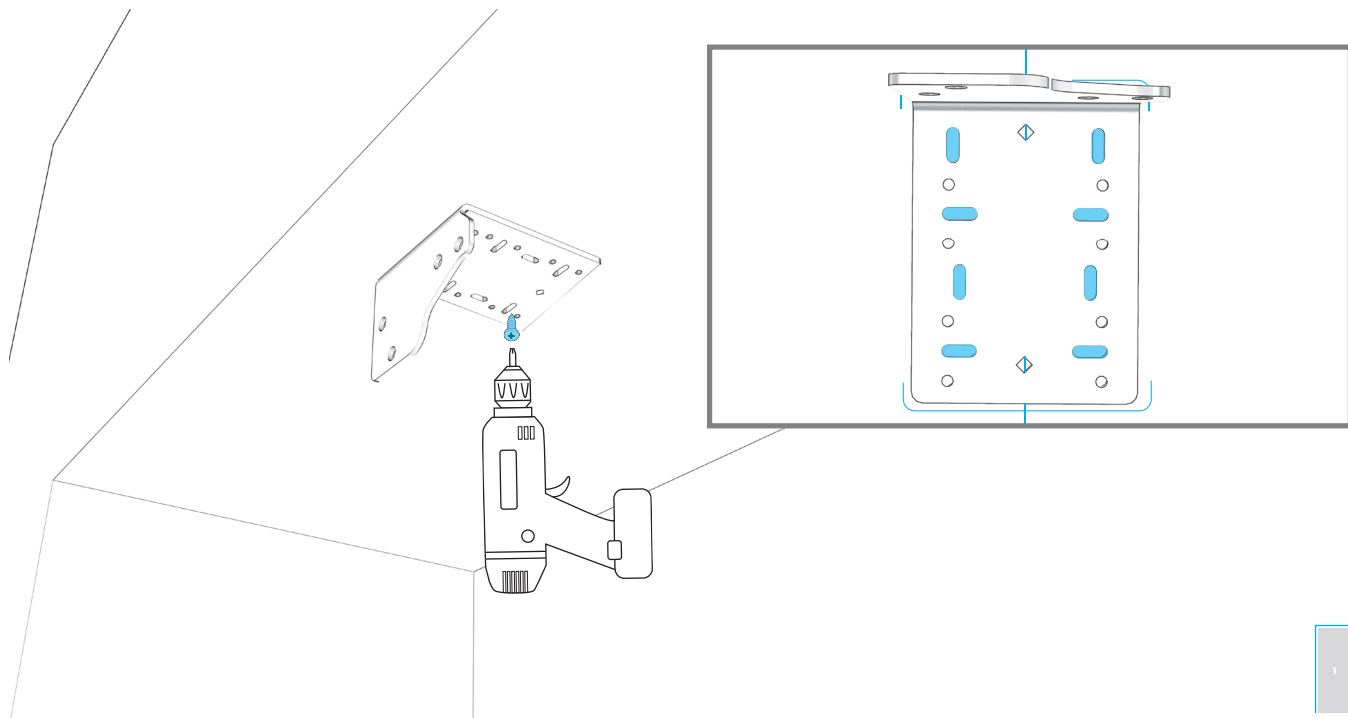
### 4.9

REALIGN BRACKET EDGES WITH ALIGNMENT LINES.



### 4.10

TIGHTEN 8 SCREWS.



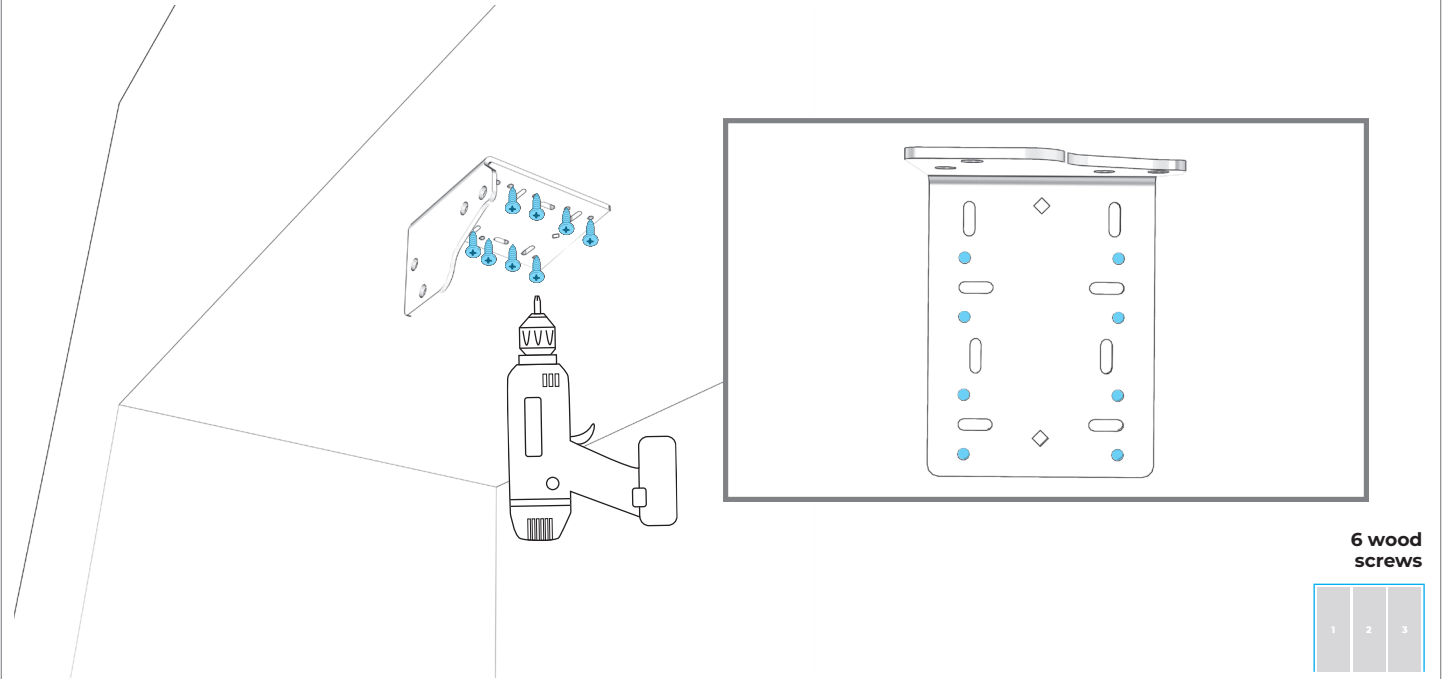
Wood  
screws



USE WOOD SCREWS OF AN APPROPRIATE LENGTH

4.11

SECURE BRACKET TO CABINET THROUGH ROUND HOLES.



A MINIMUM OF SIX SCREWS MUST BE USED TO SECURE BRACKETS TO CABINET. FAILING TO PROPERLY SECURE BRACKETS CAN RESULT IN A TIP HAZARD.

4.12

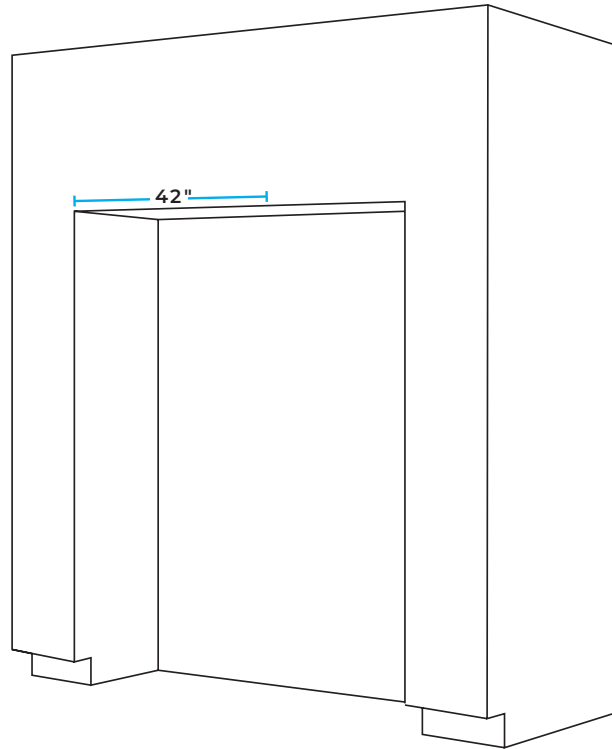
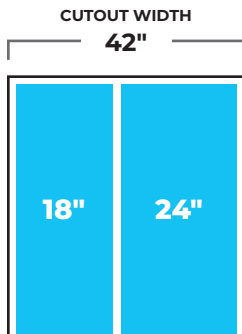
IF INSTALLING ONLY TWO COLUMNS:  
**GO TO SECTION 5**

# 4

## BADASS BRACKET INSTALLATION

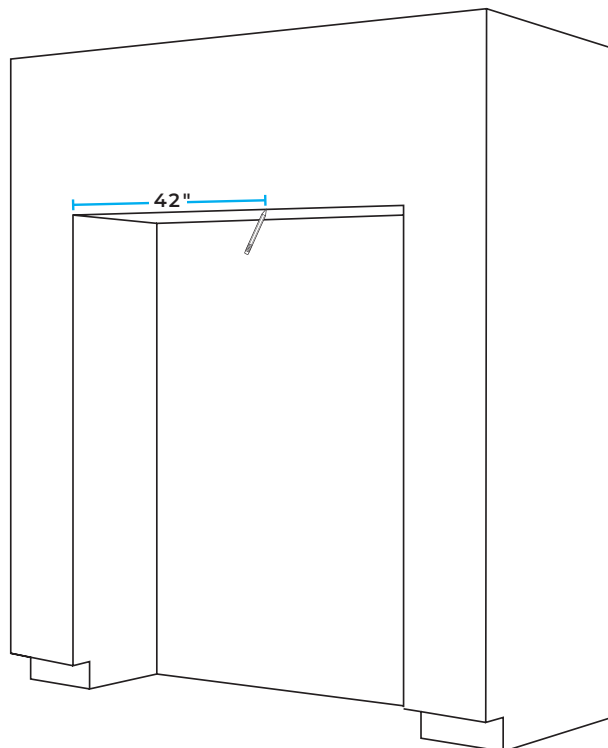
### 4.13

IF INSTALLING THREE COLUMNS: ADD TOGETHER MODEL WIDTHS OF FIRST AND SECOND COLUMNS.



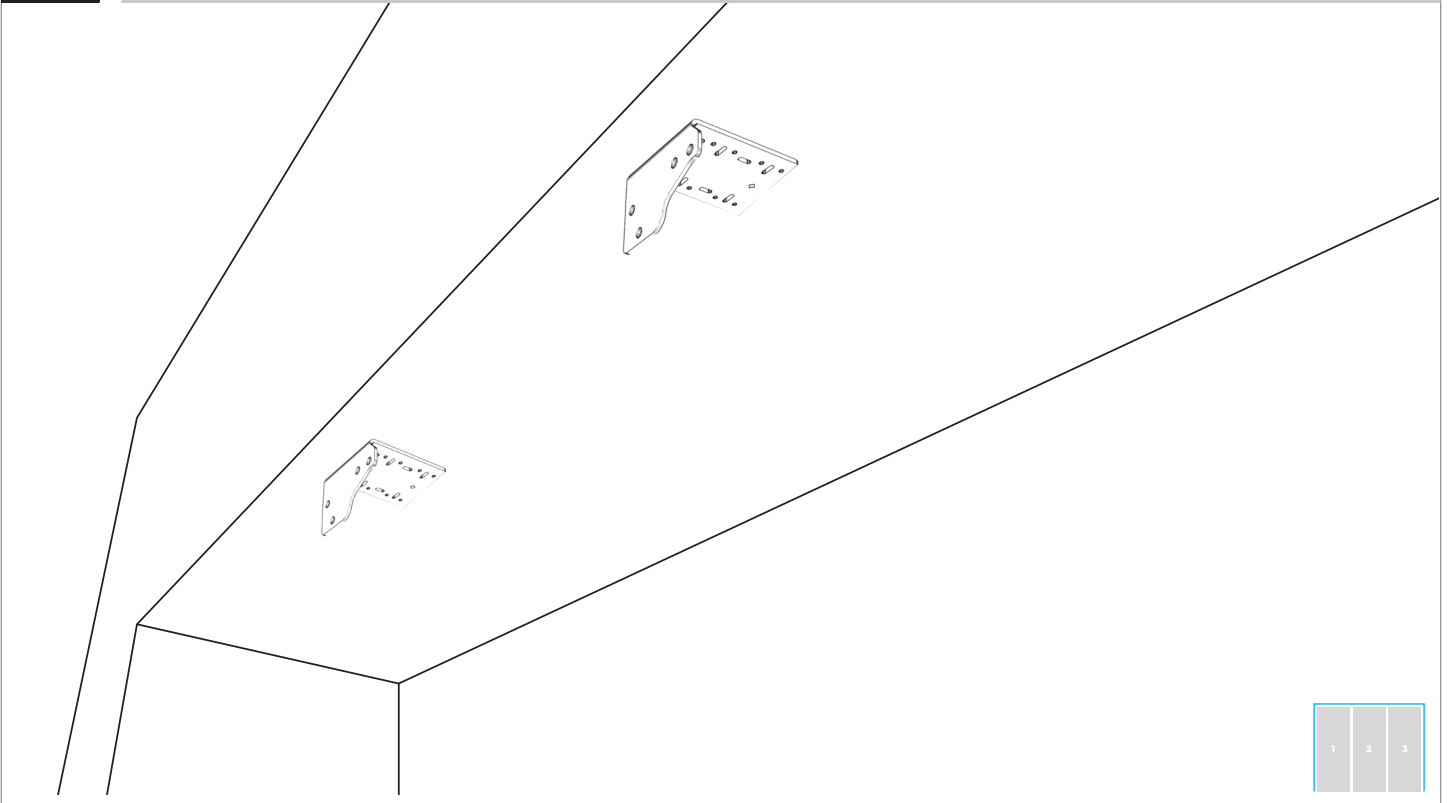
### 4.14

MARK LINE AT CALCULATED WIDTH.



4.15

COMPLETE 4.2-4.11.

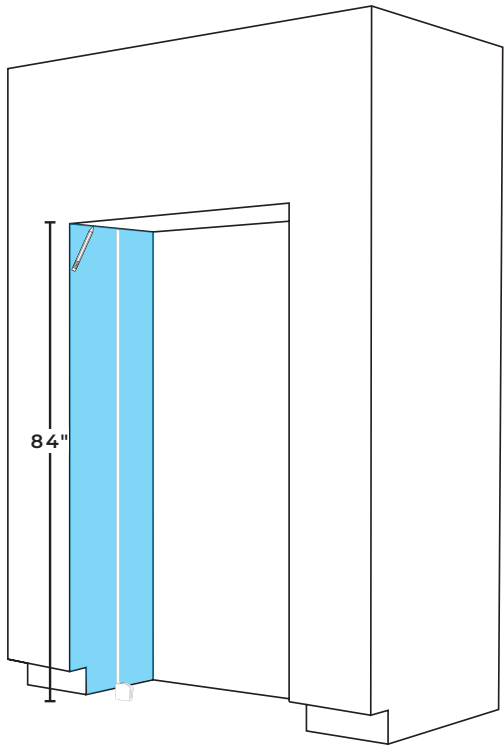


**P R E P A R E**  
**FURNITURE**



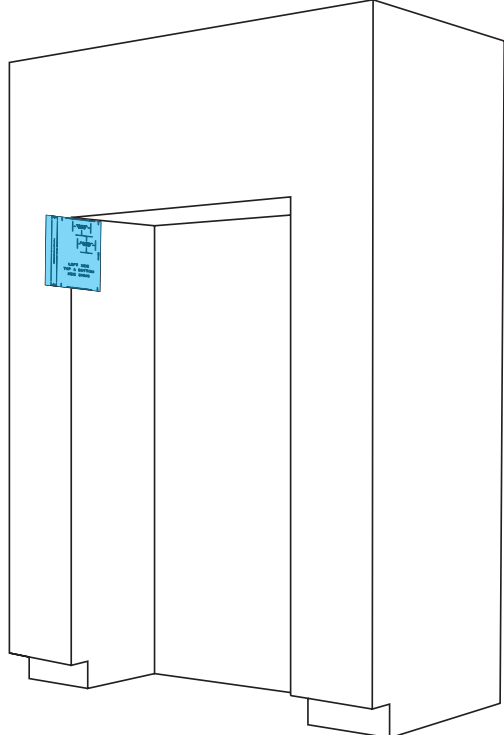
## 5.1

MEASURE AND MARK LEFT PANEL LINE.



## 5.2

POSITION TEMPLATE ON LEFT PANEL.

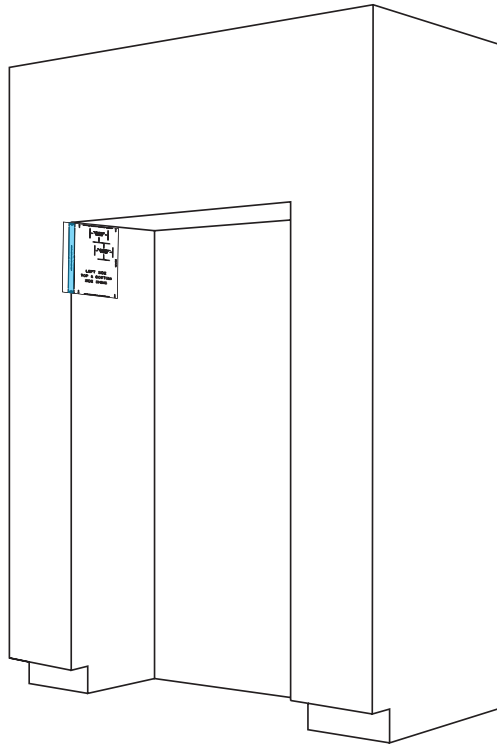


# 5

## PREPARE FURNITURE

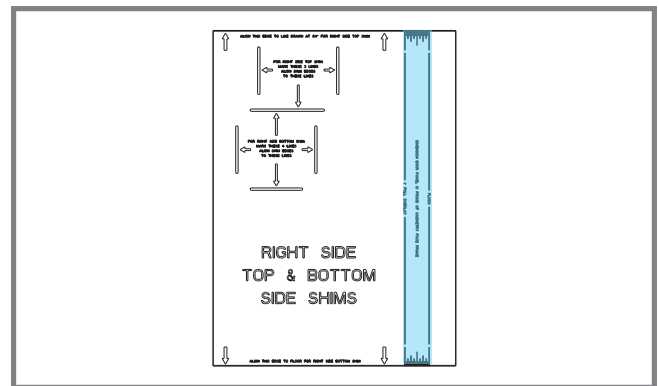
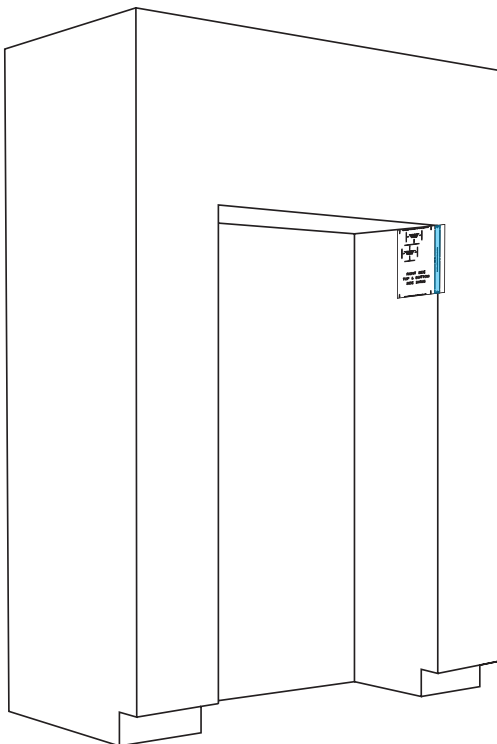
### 5.3

ALIGN DOOR STYLE LINE WITH CABINET FACE AND MARK ALIGNMENT LINES.



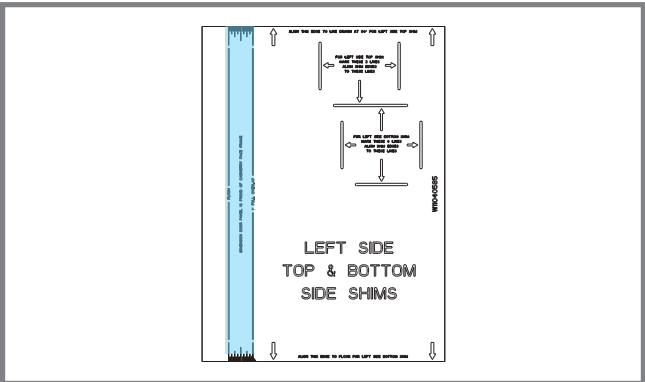
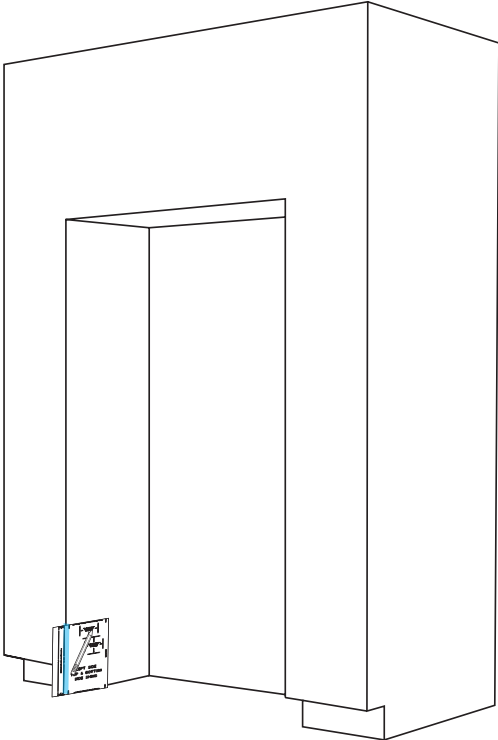
### 5.4

REPEAT 5.1-5.3 ON RIGHT PANEL.



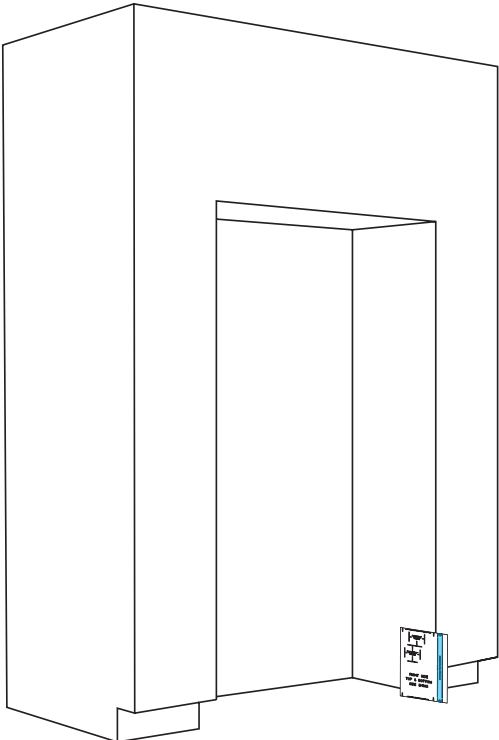
5.5

POSITION AND ALIGN TEMPLATE ON BOTTOM LEFT PANEL, MARKING SHIM ALIGNMENT LINES.



5.6

REPEAT STEP 5.5 ON RIGHT PANEL.

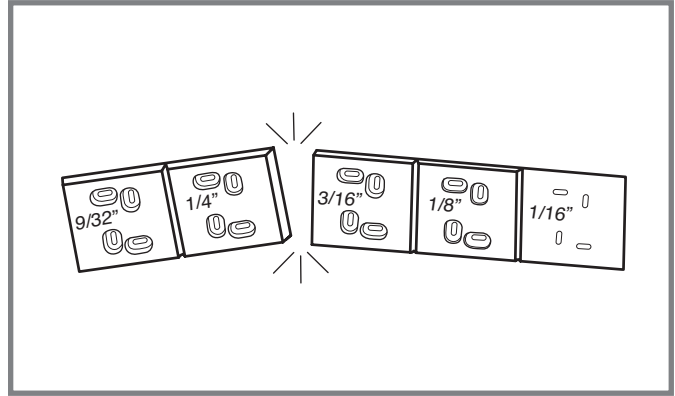
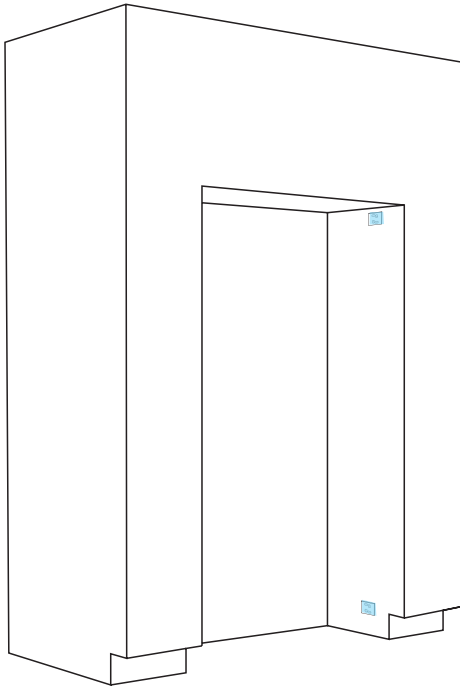


# 5

## PREPARE FURNITURE

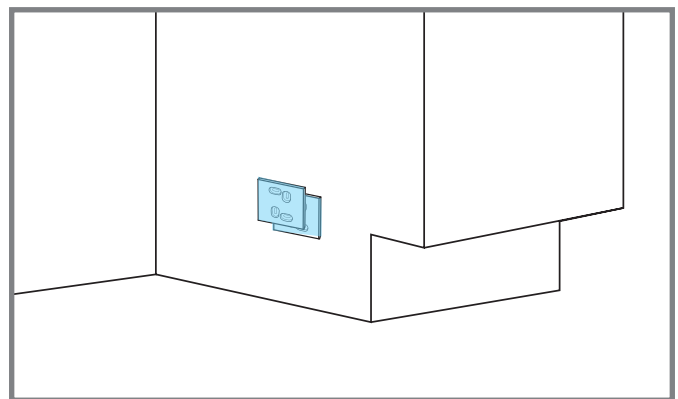
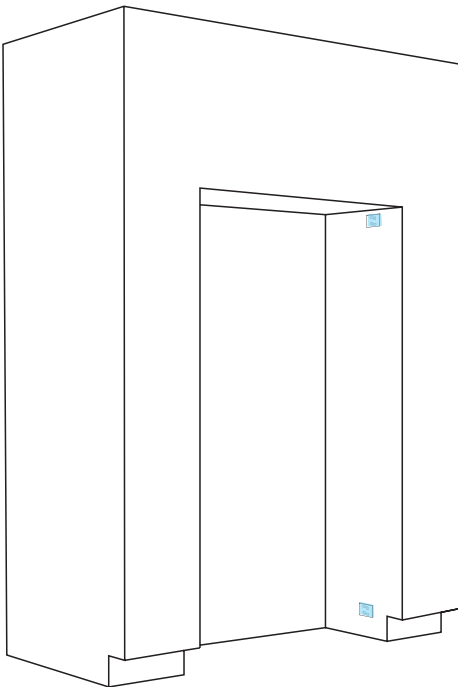
### 5.7

CRACK APART ROTTER SHIMS, ADHERE TO FOOTPRINTS.



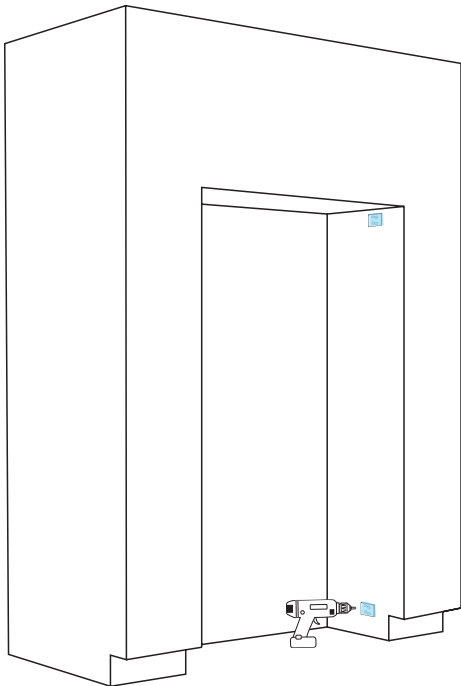
### 5.8

STACK ADDITIONAL SHIMS AS NEEDED.



5.9

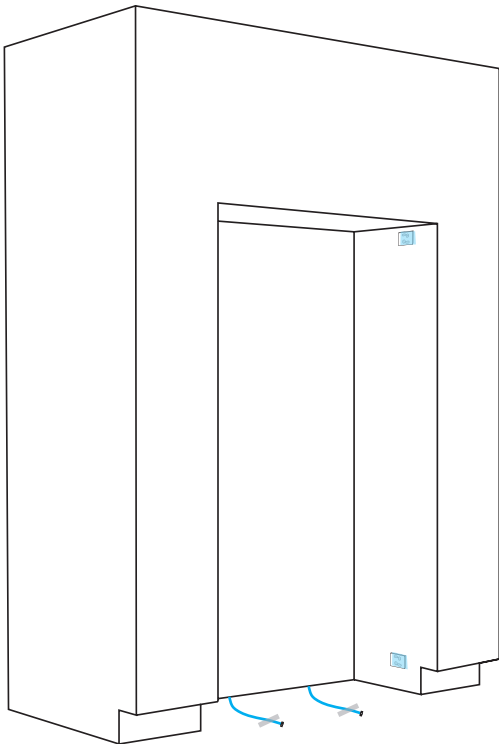
SECURE SHIMS TO SIDE PANELS (TWO SCREWS REQUIRED).



USE WOOD SCREWS OF AN APPROPRIATE LENGTH

5.10

TAPE WATER LINES TO FLOOR.

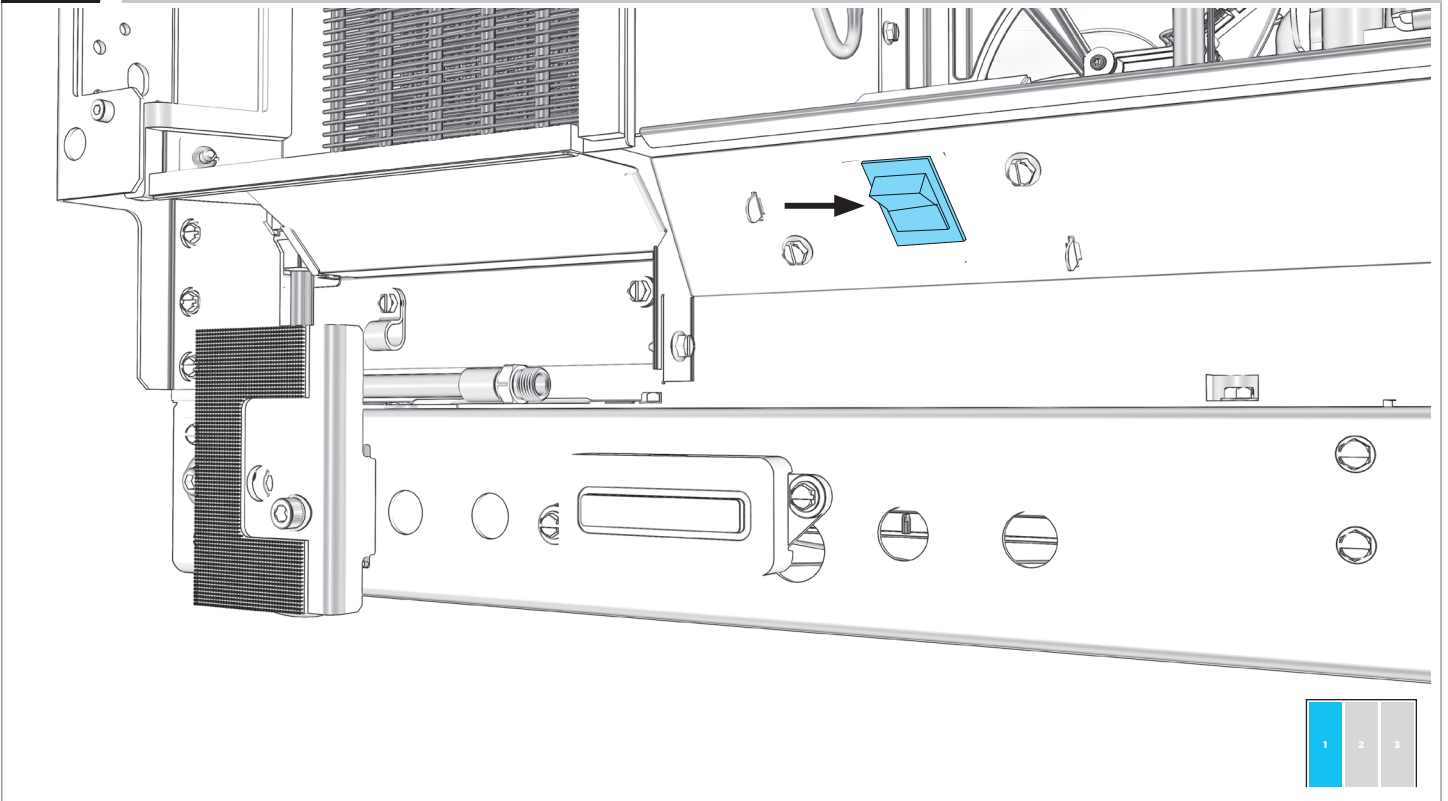




FIRST  
COLUMN INSTALLATION

6.1

SWITCH POWER OFF.



BEFORE PLUGGING IN COLUMN, READ WARNING.

**⚠ WARNING**



**Electrical Shock Hazard**

**Plug into a grounded 3 prong outlet.**

**Do not remove ground prong.**

**Do not use an adapter.**

**Do not use an extension cord.**

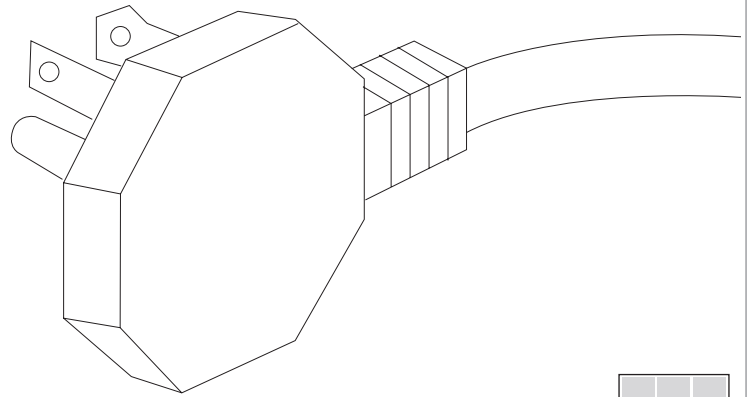
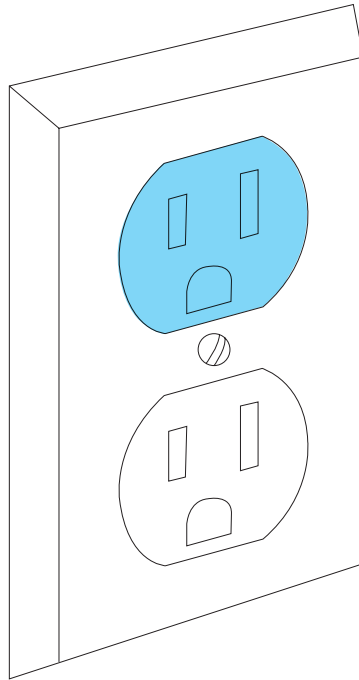
**Failure to follow these instructions can result in death, fire, or electrical shock.**

# 6

## FIRST COLUMN INSTALLATION

### 6.2

PLUG INTO GROUNDED 3-PRONG OUTLET.



BEFORE MOVING COLUMN, READ WARNING.

### **⚠ WARNING**



#### Tip Over Hazard

Refrigerator is top heavy and tips easily when not completely installed.

Keep doors taped closed until refrigerator is completely installed.

Use two or more people to move and install refrigerator.

Failure to do so can result in death or serious injury.

#### When Moving Your Refrigerator:

Your refrigerator is heavy. When moving the refrigerator for cleaning or service, be sure to cover the floor with cardboard or hardboard to avoid floor damage. Always pull the refrigerator straight out when moving it. Do not wiggle or “walk” the refrigerator when trying to move it, as floor damage could occur.

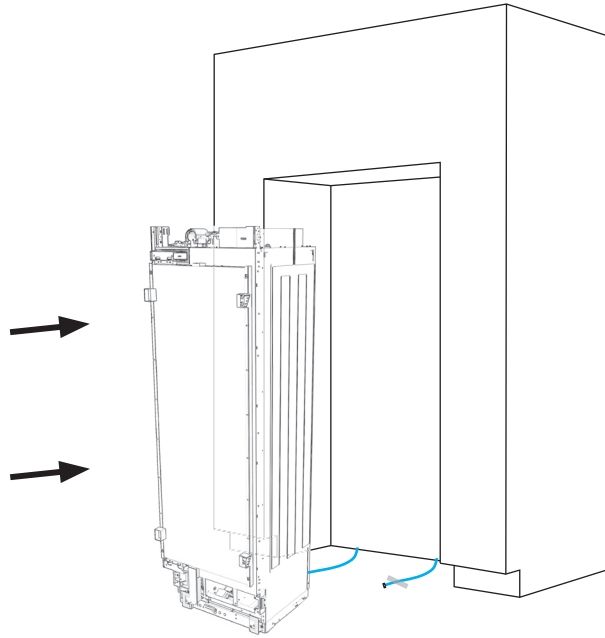
#### Important information to know about glass shelves and covers:

Do not clean glass shelves or covers with warm water when they are cold. Shelves and covers may break if exposed to sudden temperature changes or impact, such as bumping. Tempered glass is designed to shatter into many small, pebble-size pieces. This is normal. Glass shelves and covers are heavy. Use both hands when removing them to avoid dropping.



6.3

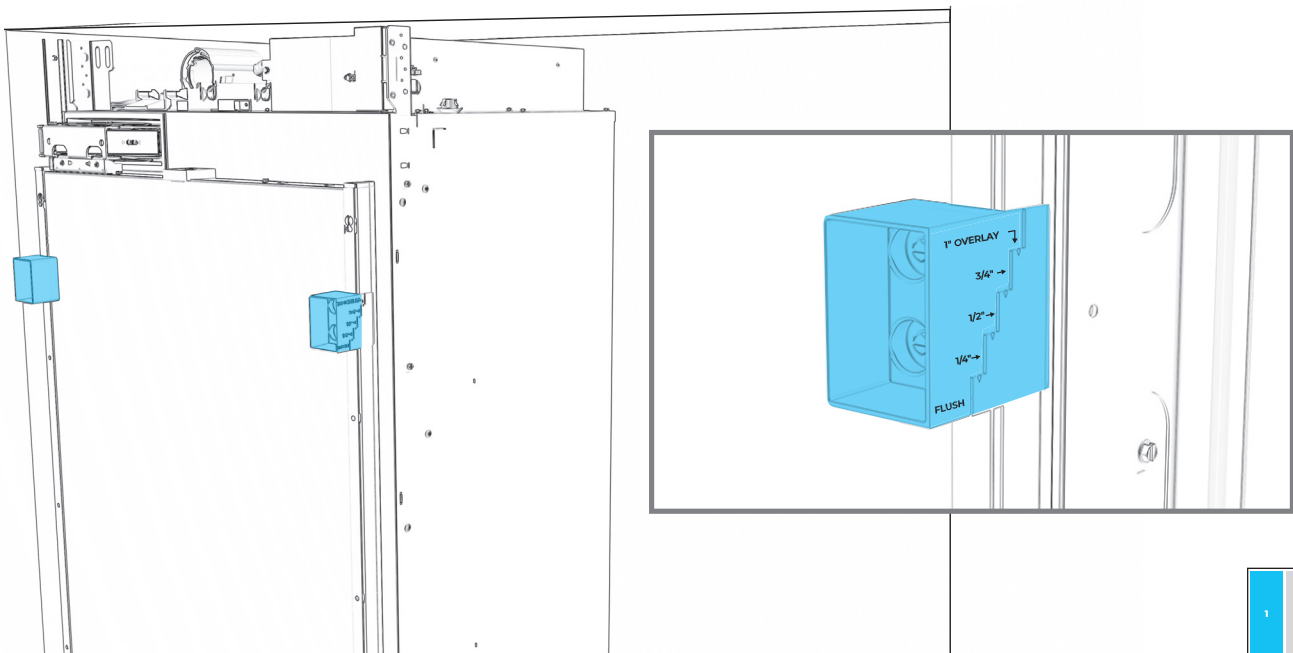
MOVE COLUMN INTO THE CUTOUT.



DO NOT DAMAGE THE WATER LINE.

6.4

USE DEPTH GAUGES TO ALIGN (BASED ON DOOR STYLE).

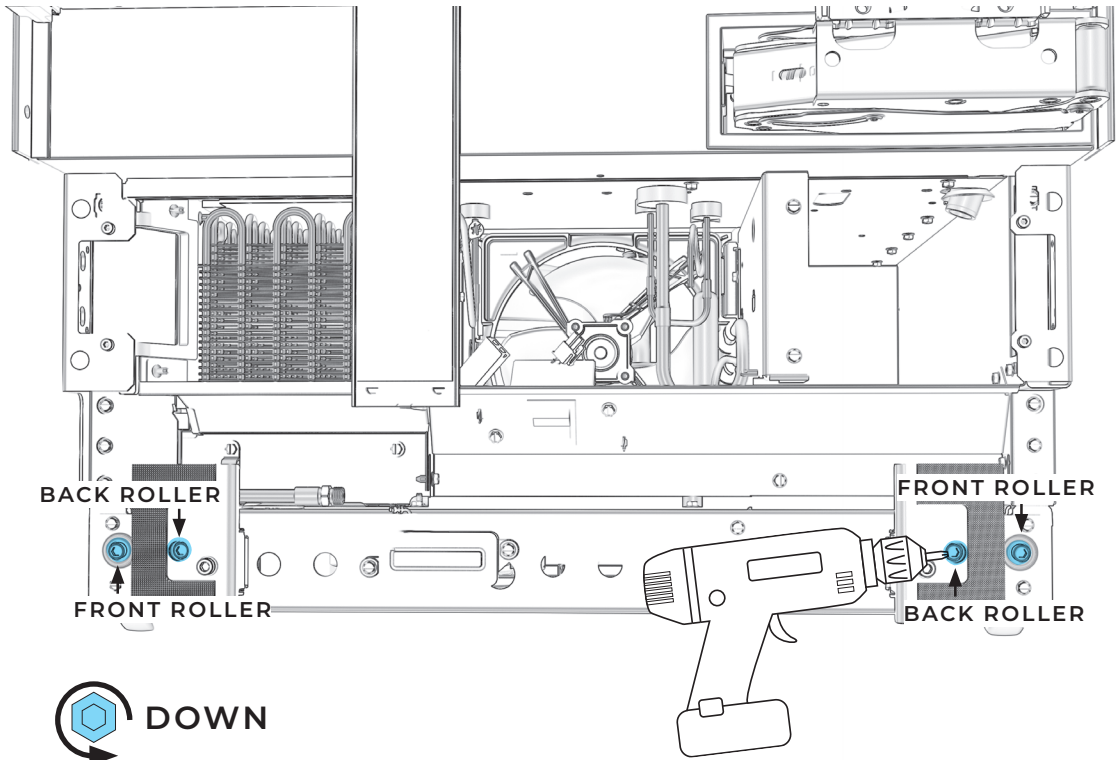


# 6

## FIRST COLUMN INSTALLATION

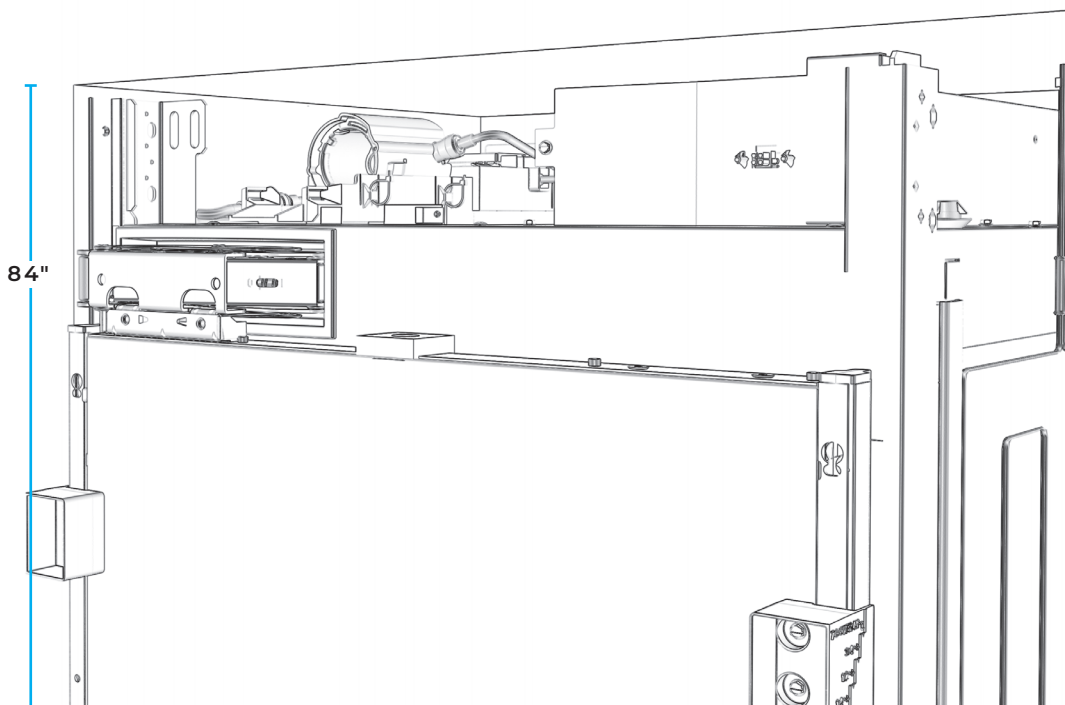
### 6.5

EXTEND ROLLERS INDIVIDUALLY.



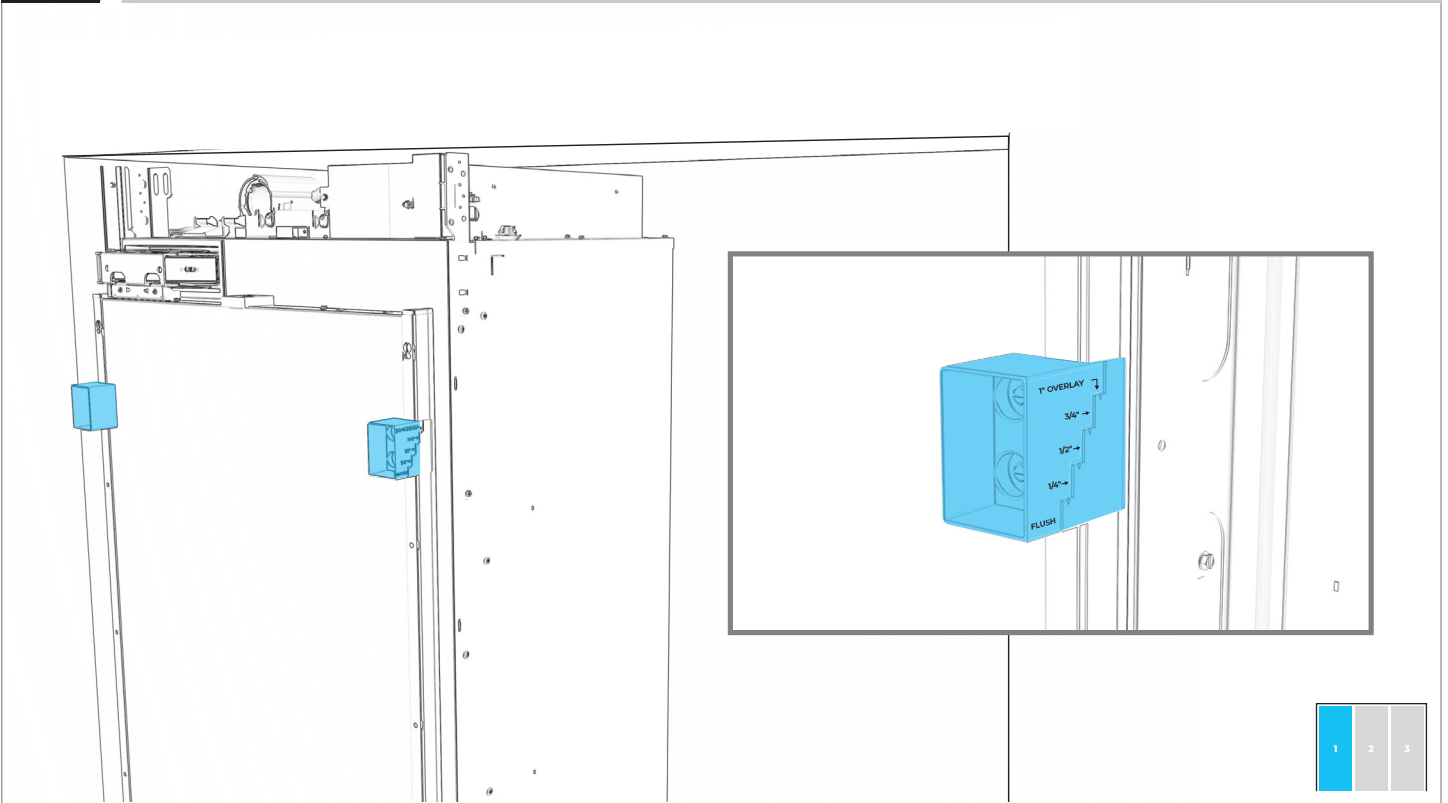
### 6.6

MAKE SURE INSTALLATION BRACKET ALIGNS WITH 84" LINE.



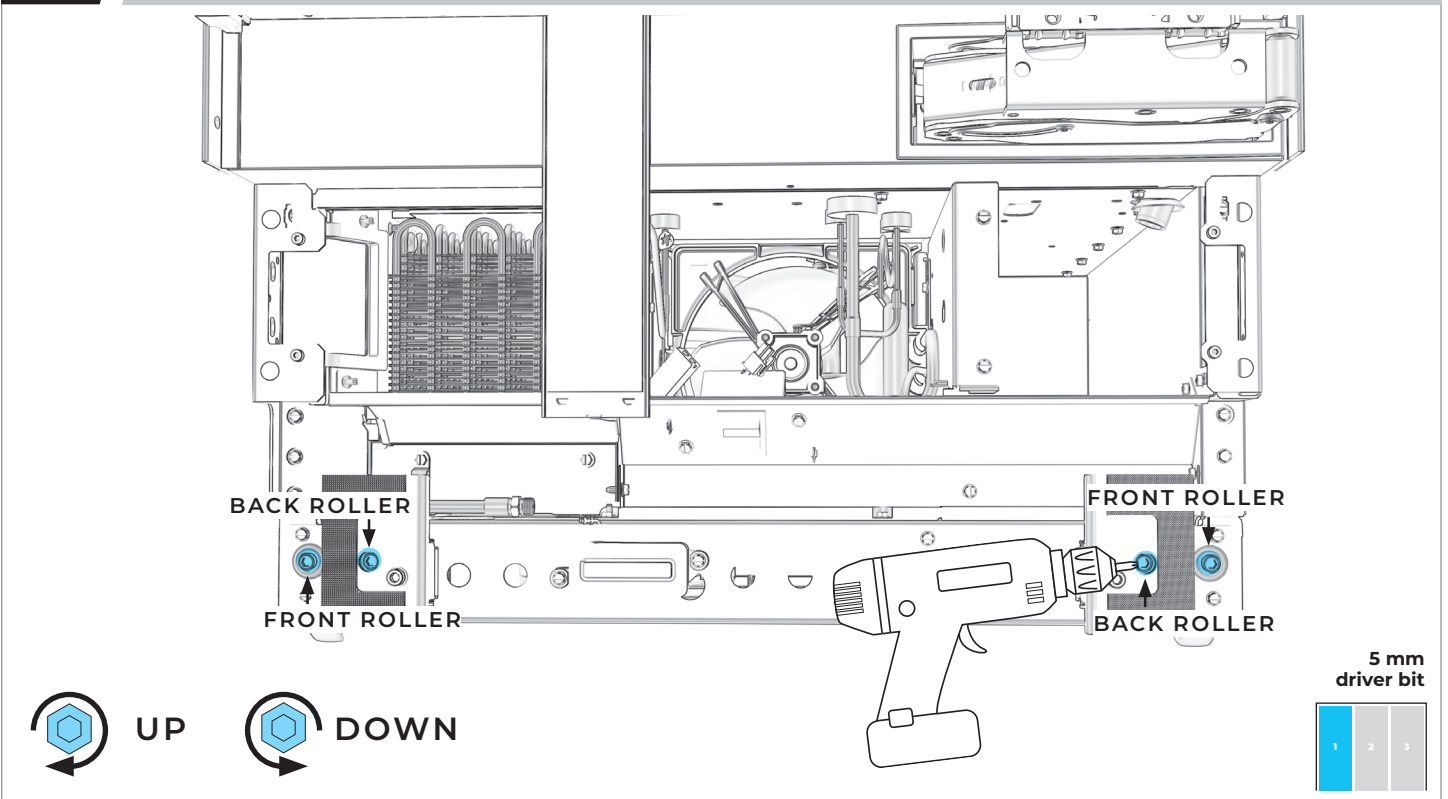
6.7

CHECK THAT DEPTH GAUGES INDICATE SAME DEPTH.



6.8

ADJUST ROLLERS UNTIL DEPTH GAUGES MATCH.

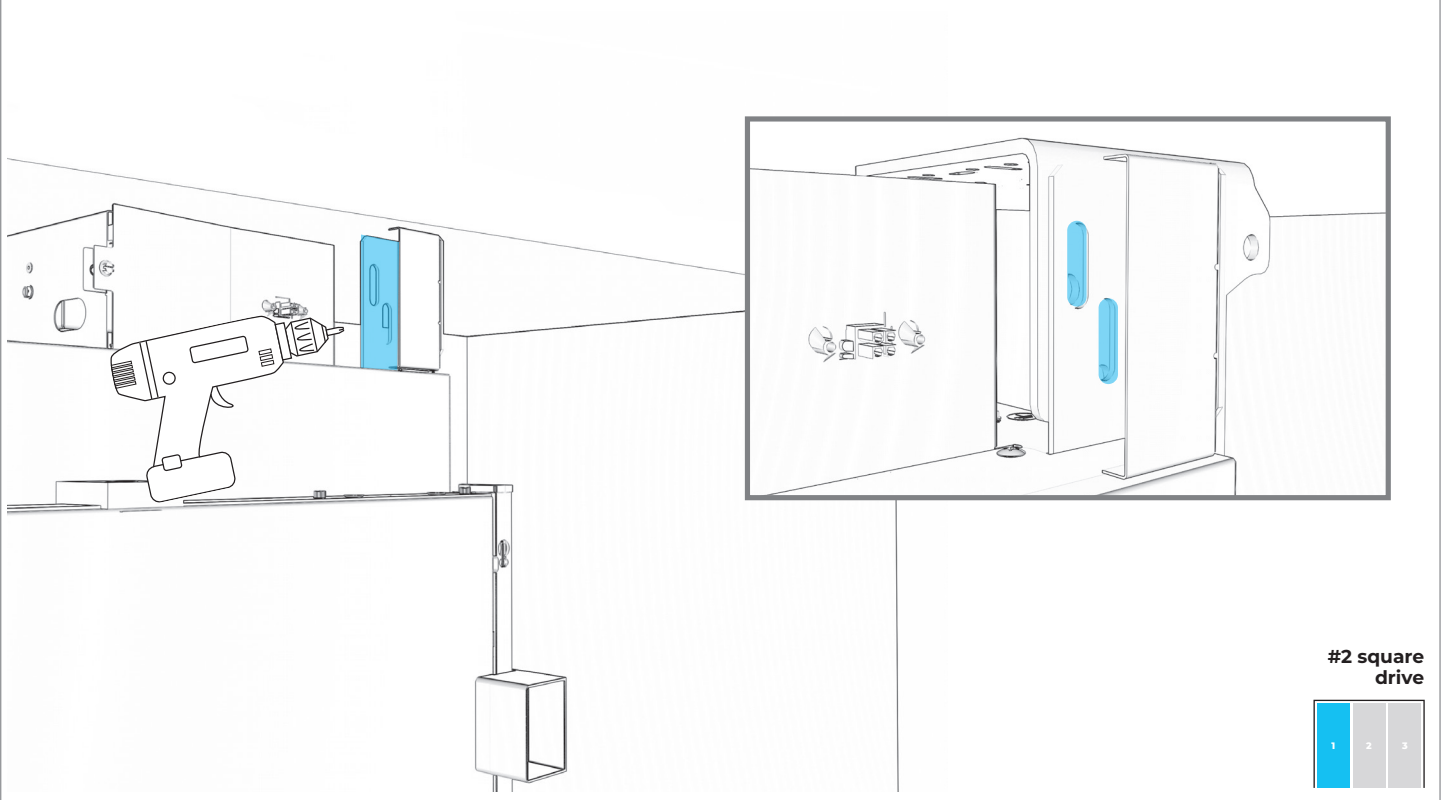


# 6

## FIRST COLUMN INSTALLATION

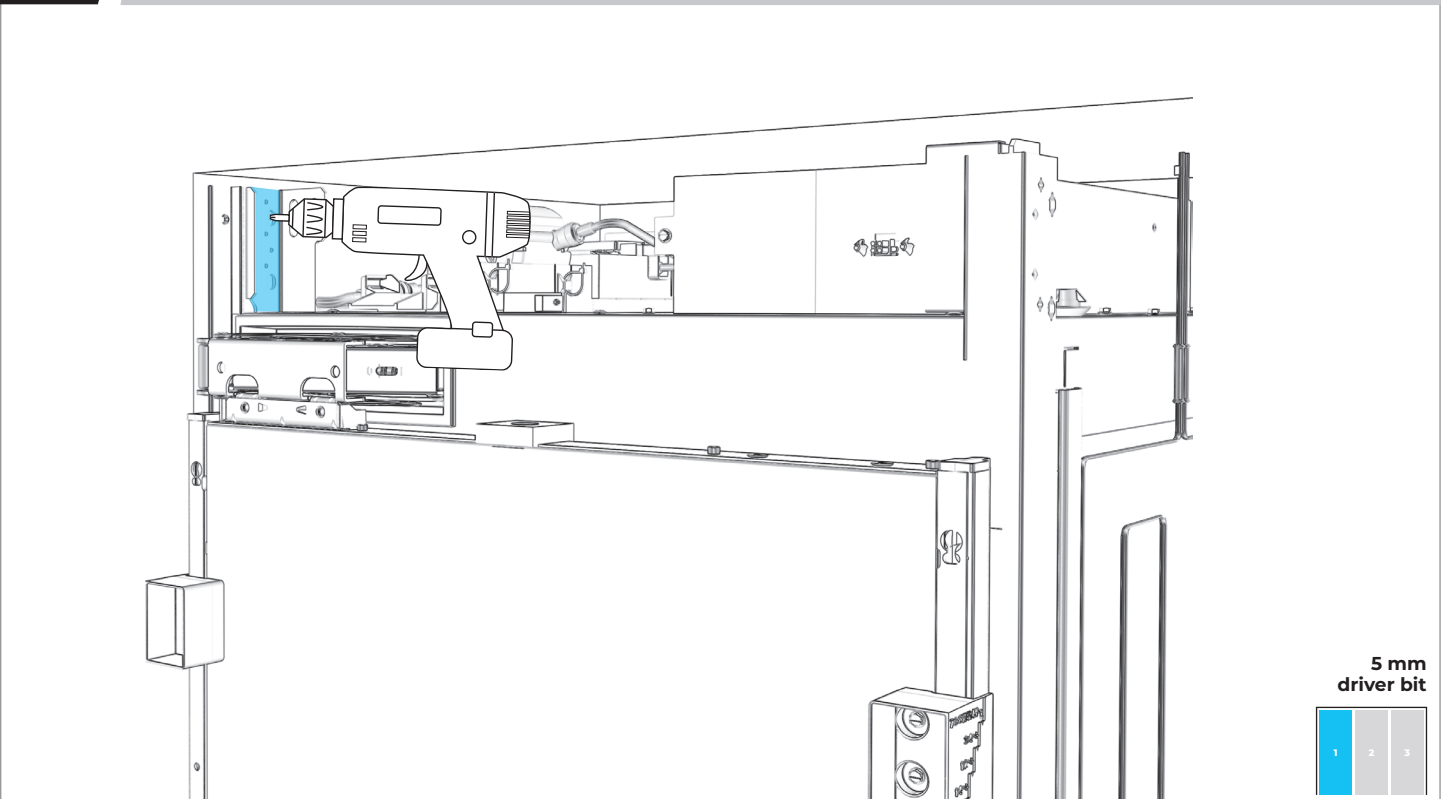
### 6.9

LOOSELY DRIVE SCREWS THROUGH INSTALLATION BRACKET AND BADASS SOFFIT BRACKET.

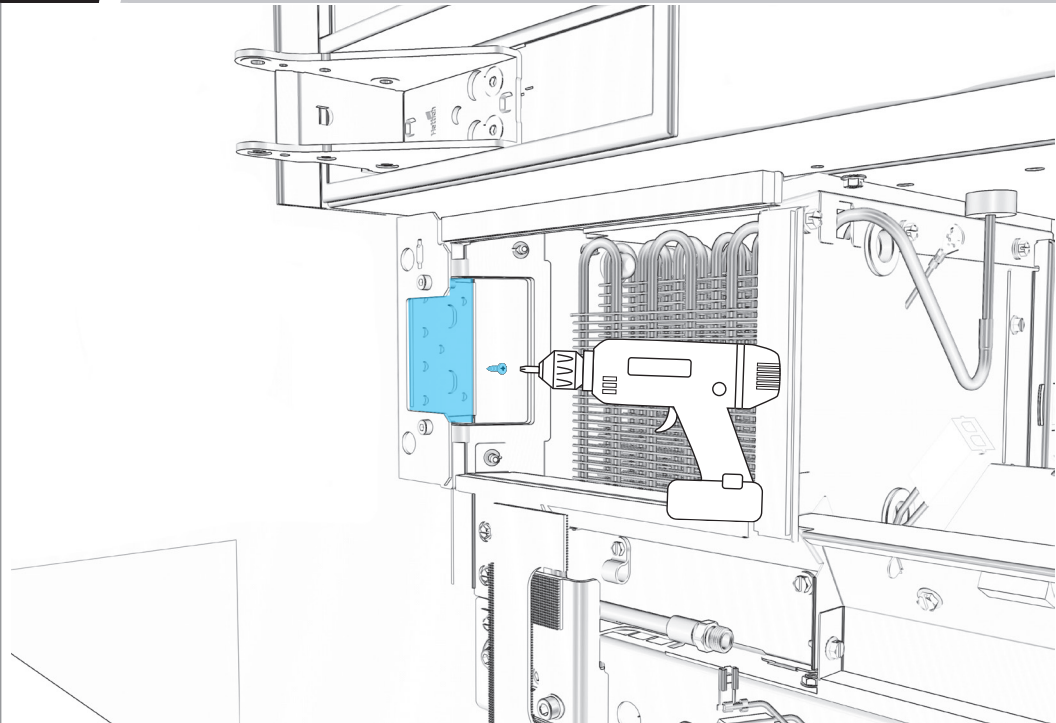


### 6.10

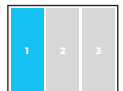
SECURE TOP INSTALLATION BRACKET TO FURNITURE.



**6.11** SECURE BOTTOM INSTALLATION BRACKET TO FURNITURE.

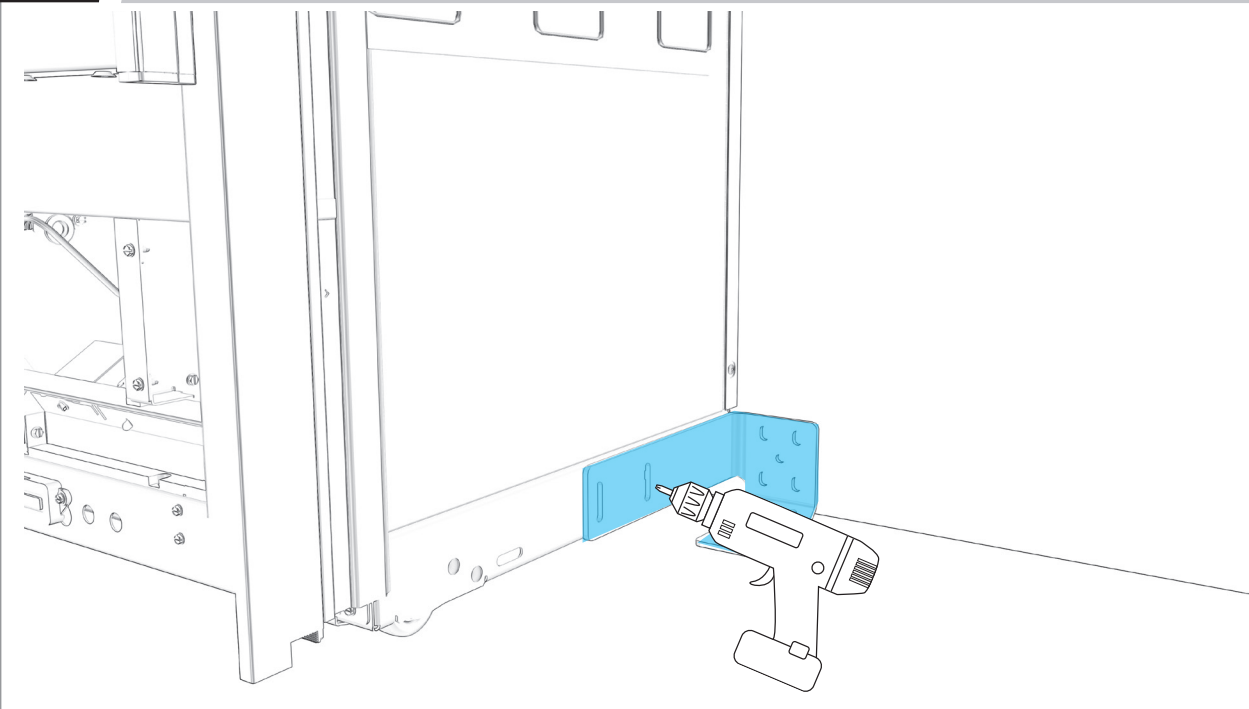


Wood screws



USE WOOD SCREWS OF AN APPROPRIATE LENGTH.

**6.12** POSITION BRACKET TO FLOOR AND WALL.



5 mm driver bit



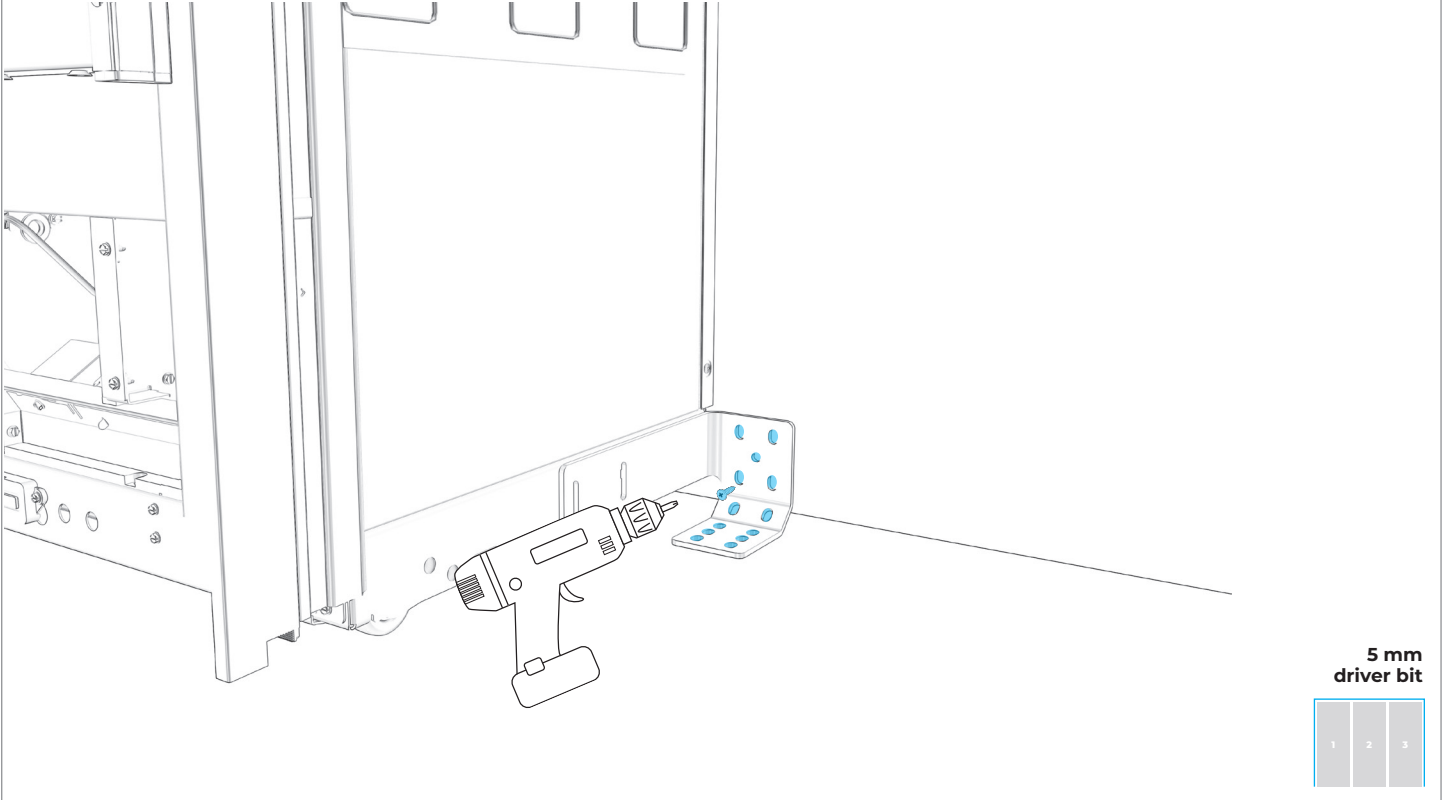
CONSIDER WALL AND FLOOR CONSTRUCTION AND MATERIALS.

# 6

## FIRST COLUMN INSTALLATION

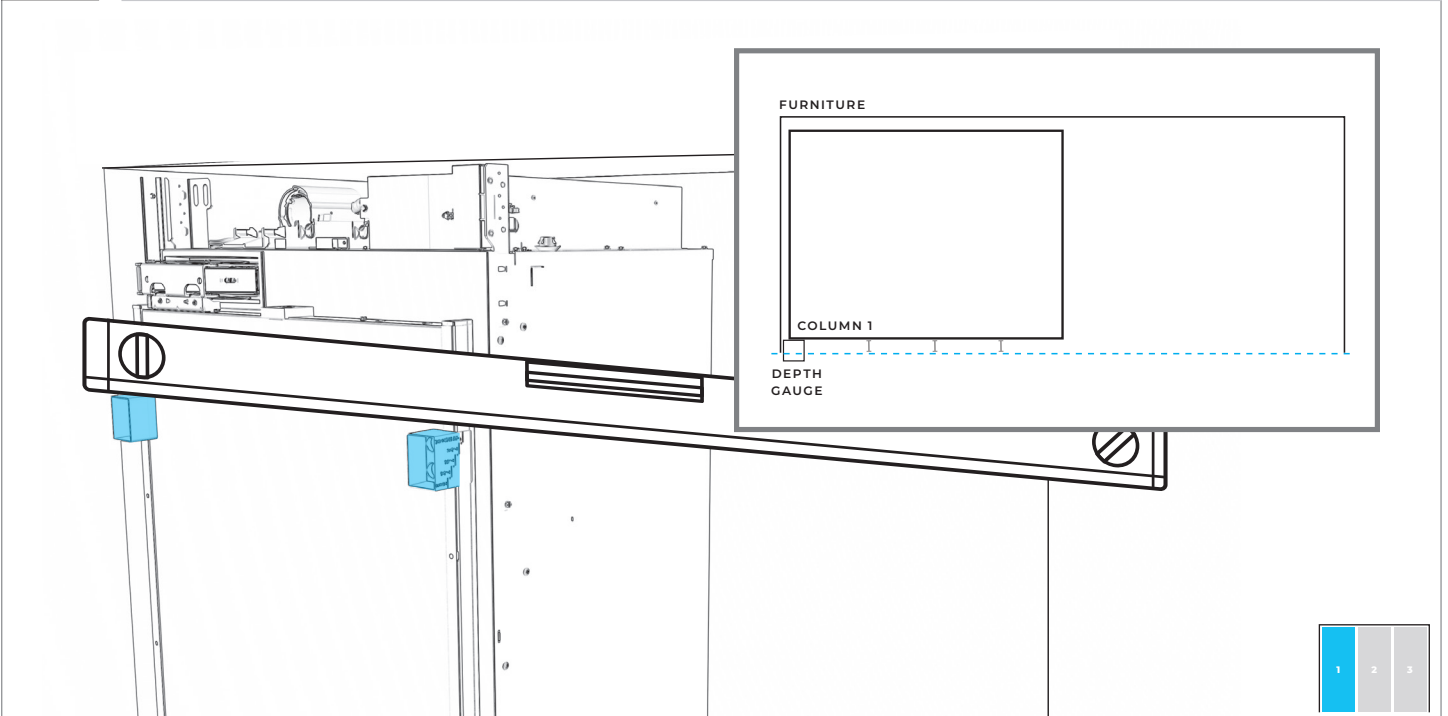
### 6.13

SECURE POSITIONING BRACKET, USING AS MANY SLOTS AS POSSIBLE.



### 6.14

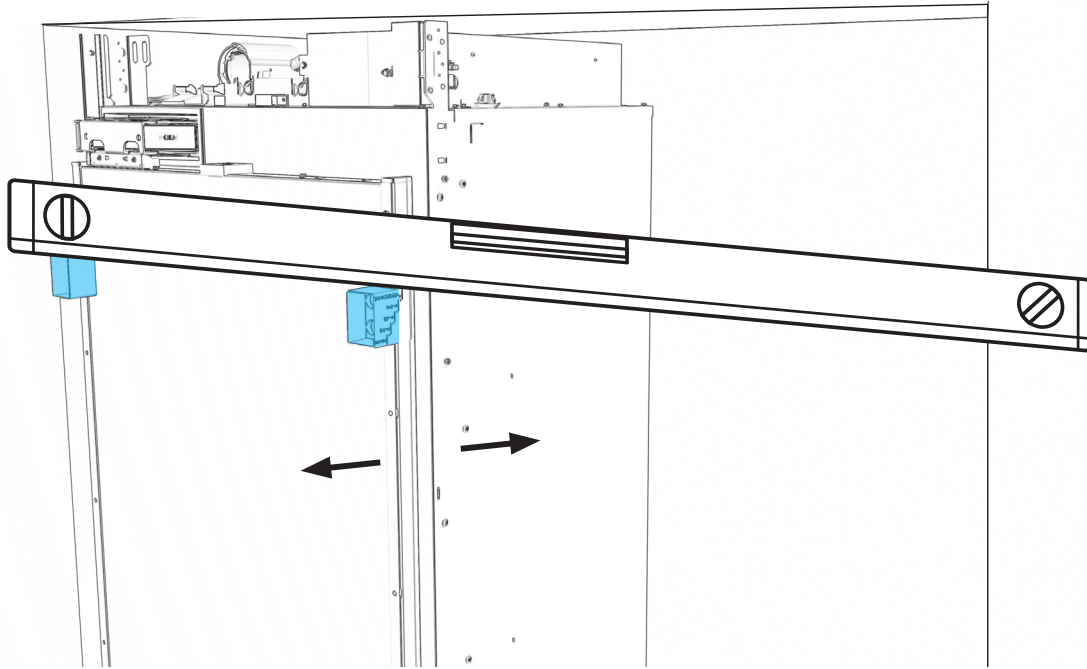
USE LEVEL TO CHECK DEPTH FROM FACE FRAME AT MULTIPLE POINTS.



MAY SUBSTITUTE TRIM PIECE FOR LEVEL.

6.15

READJUST COLUMN SO THAT ALL DEPTHS MATCH.



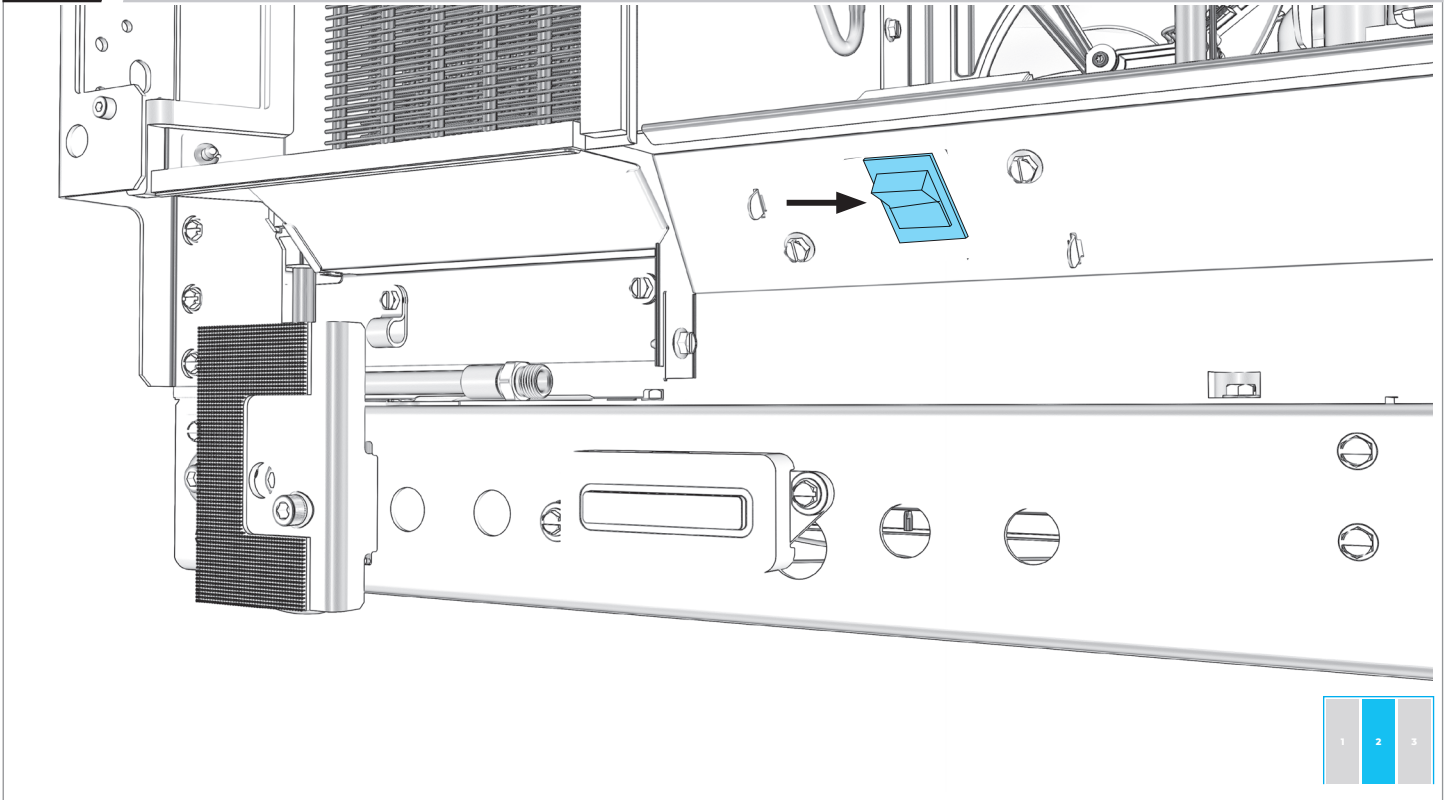


**S E C O N D**  
**C O L U M N I N S T A L L A T I O N**



7.1

SWITCH POWER OFF.



BEFORE PLUGGING IN COLUMN, READ WARNING.

**⚠ WARNING**



**Electrical Shock Hazard**

**Plug into a grounded 3 prong outlet.**

**Do not remove ground prong.**

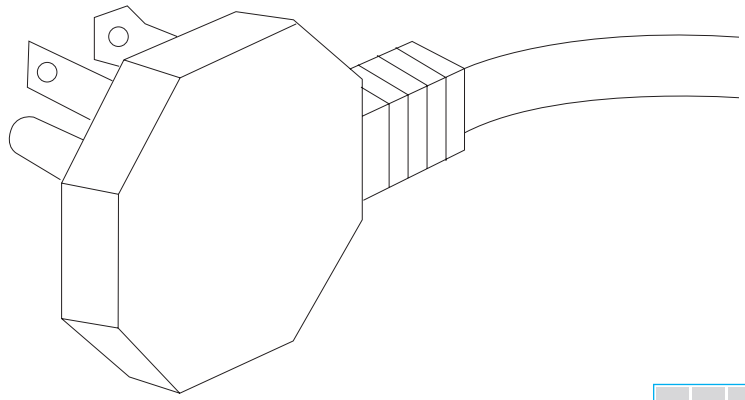
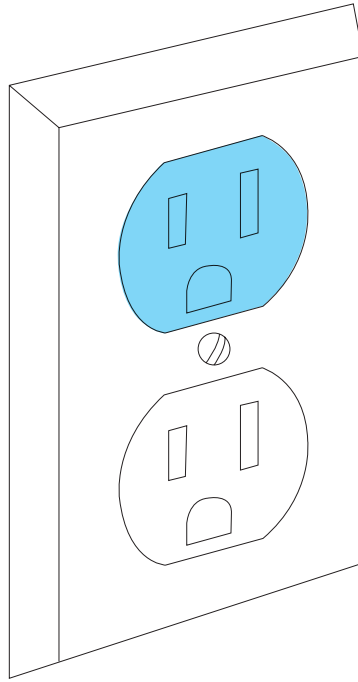
**Do not use an adapter.**

**Do not use an extension cord.**

**Failure to follow these instructions can result in death, fire, or electrical shock.**

## 7.2

PLUG INTO GROUNDED 3-PRONG OUTLET.



BEFORE MOVING COLUMNS, REVIEW ALL WARNINGS.

**⚠ WARNING****Tip Over Hazard**

Refrigerator is top heavy and tips easily when not completely installed.

Keep doors taped closed until refrigerator is completely installed.

Use two or more people to move and install refrigerator.

Failure to do so can result in death or serious injury.

**⚠ WARNING****Excessive Weight Hazard**

Use two or more people to move and install refrigerator.

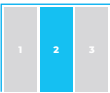
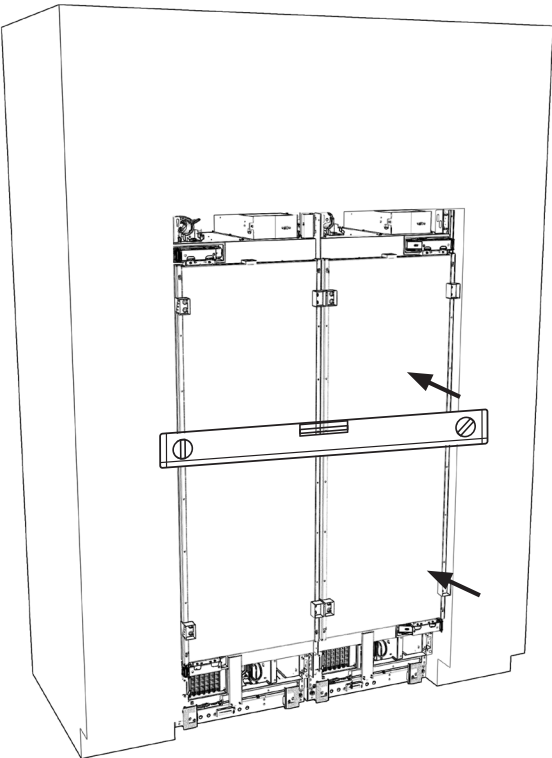
Failure to do so can result in back or other injury.

**Important information to know about glass shelves and covers:**

Do not clean glass shelves or covers with warm water when they are cold. Shelves and covers may break if exposed to sudden temperature changes or impact, such as bumping. Tempered glass is designed to shatter into many small, pebble-size pieces. This is normal. Glass shelves and covers are heavy. Use both hands when removing them to avoid dropping.

7.3

SECOND COLUMN: MOVE INTO THE CUTOUT.



7.4

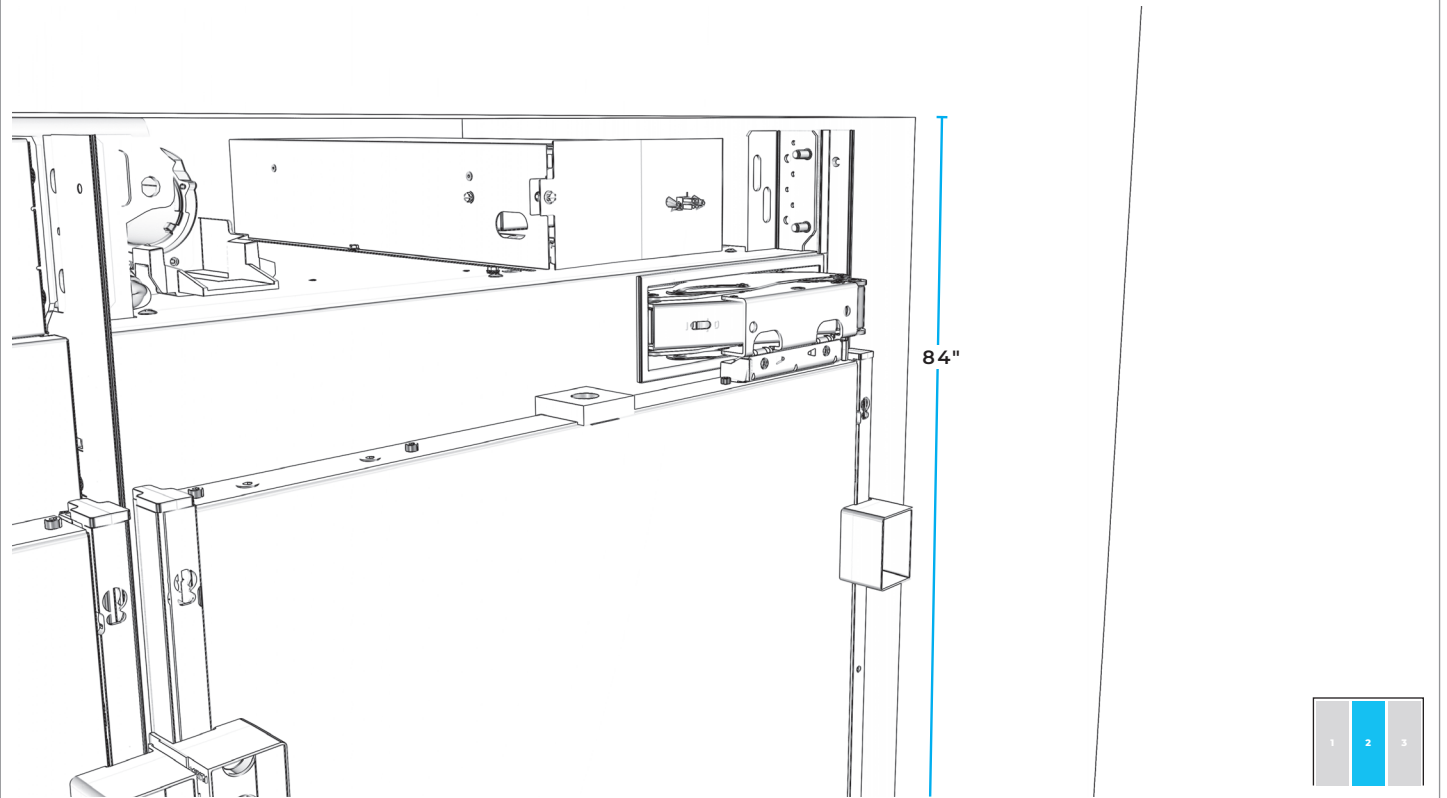
IF INSTALLING THREE COLUMNS:  
**GO TO SECTION 8**

# 7

## SECOND COLUMN INSTALLATION

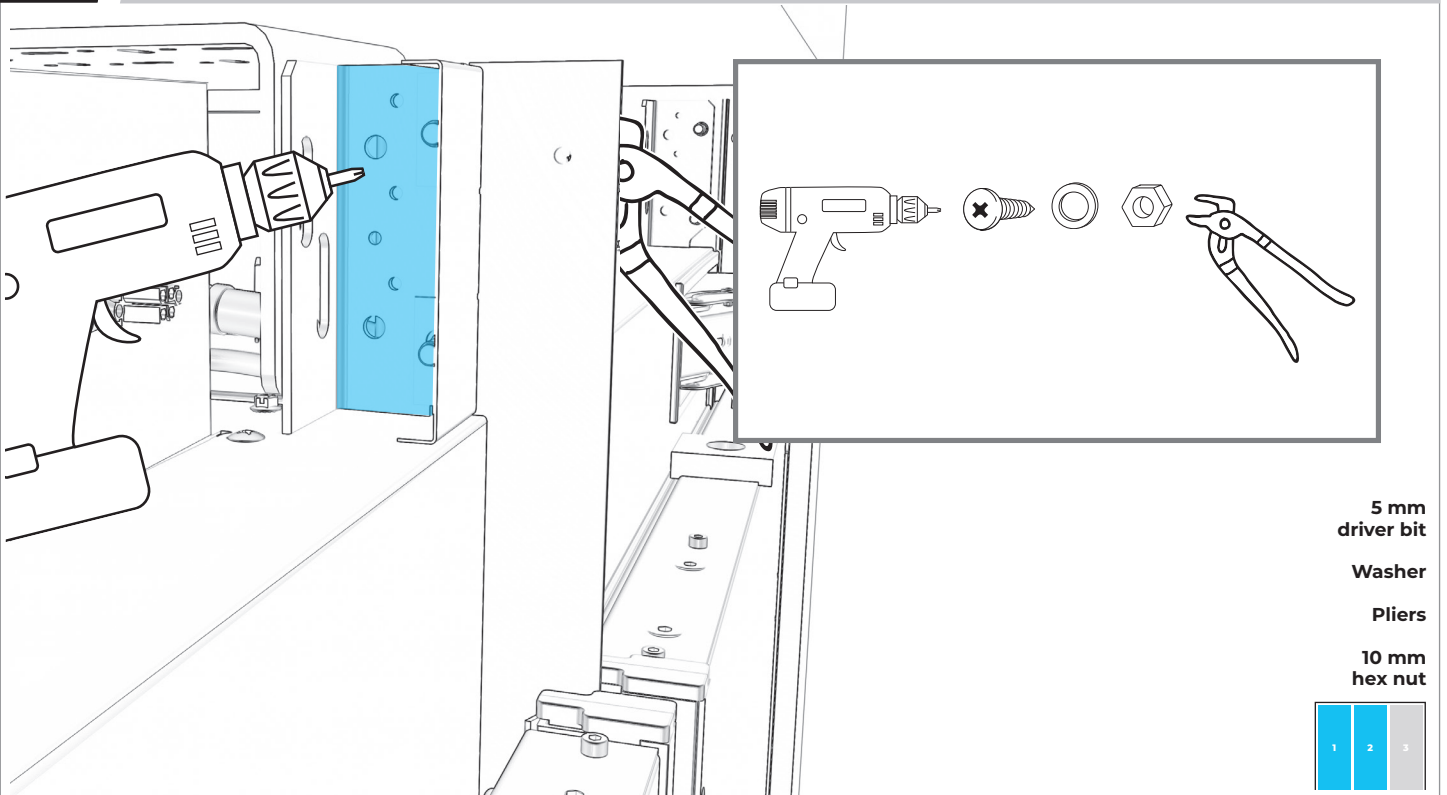
### 7.5

SECOND COLUMN: RAISE TO 84" LINE.



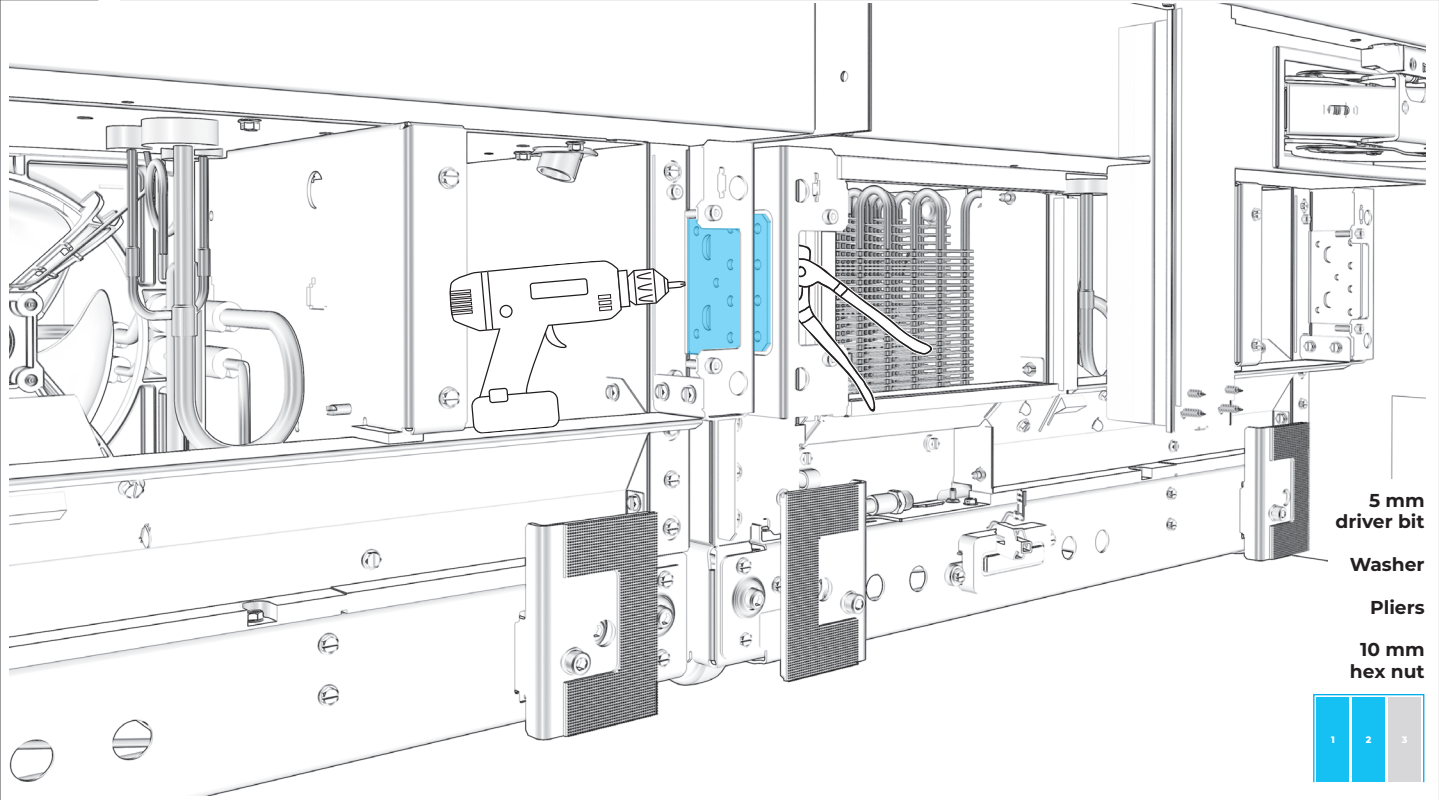
### 7.6

SECURE FIRST UNIT TO SECOND UNIT AT TOP.



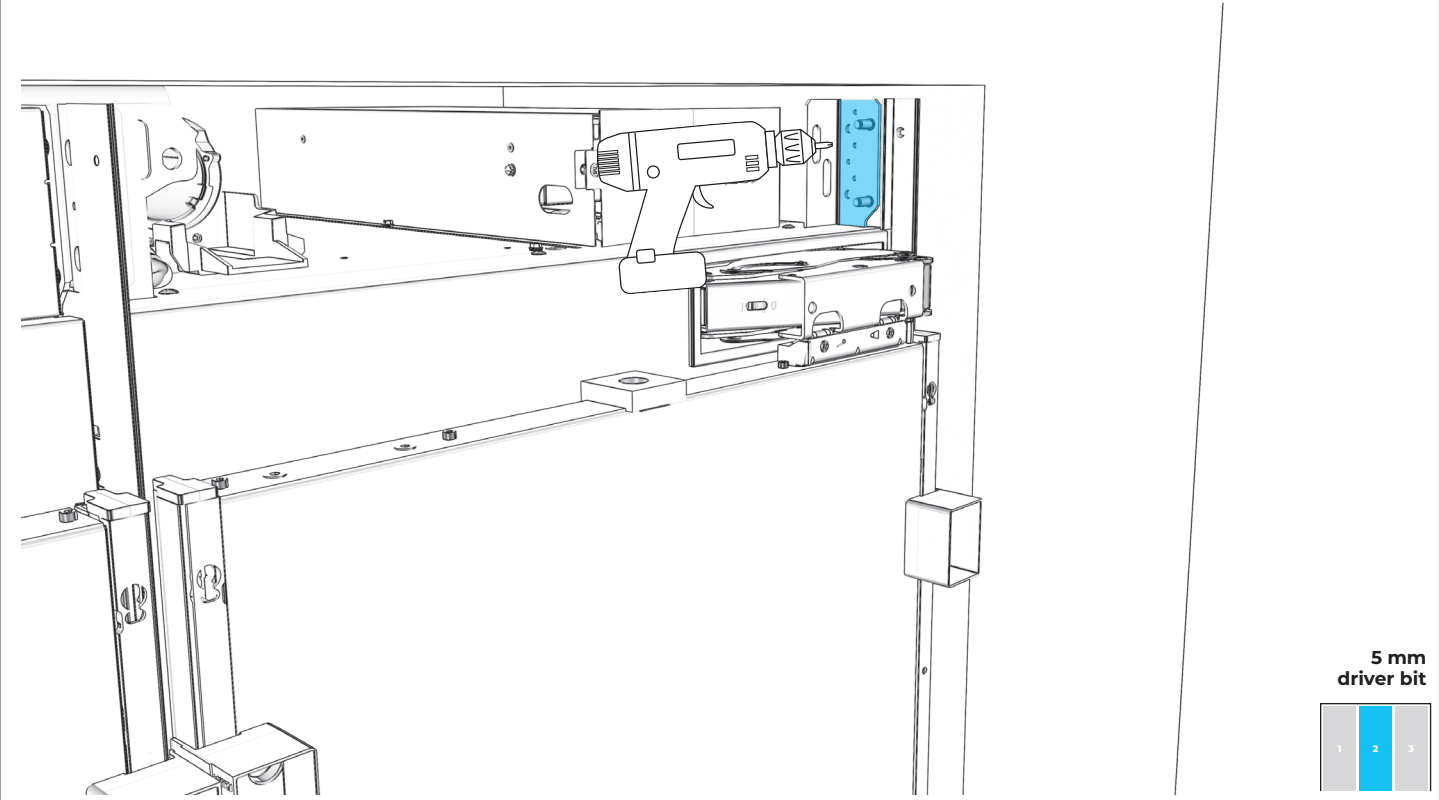
7.7

REPEAT ON BOTTOM BRACKET.



7.8

SECURE TOP INSTALLATION BRACKET TO FURNITURE.

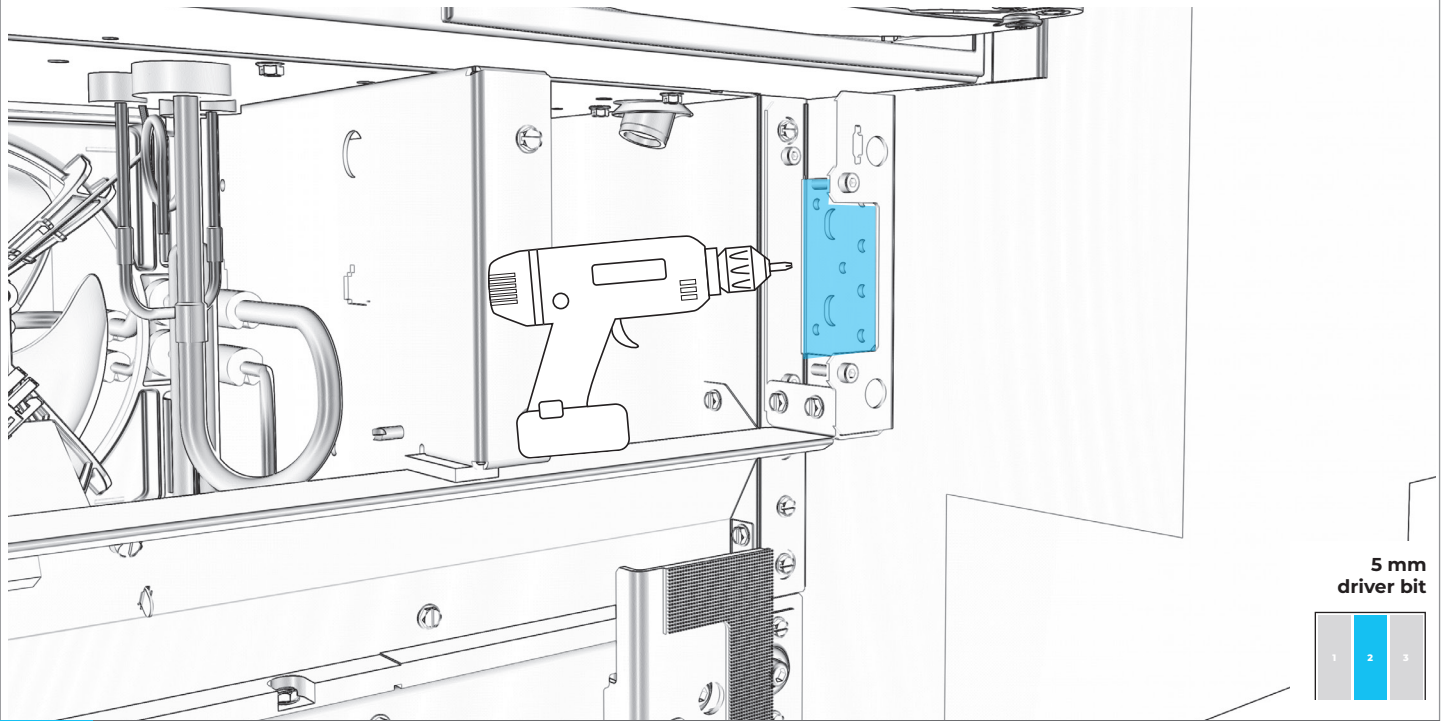


# 7

## SECOND COLUMN INSTALLATION

### 7.9

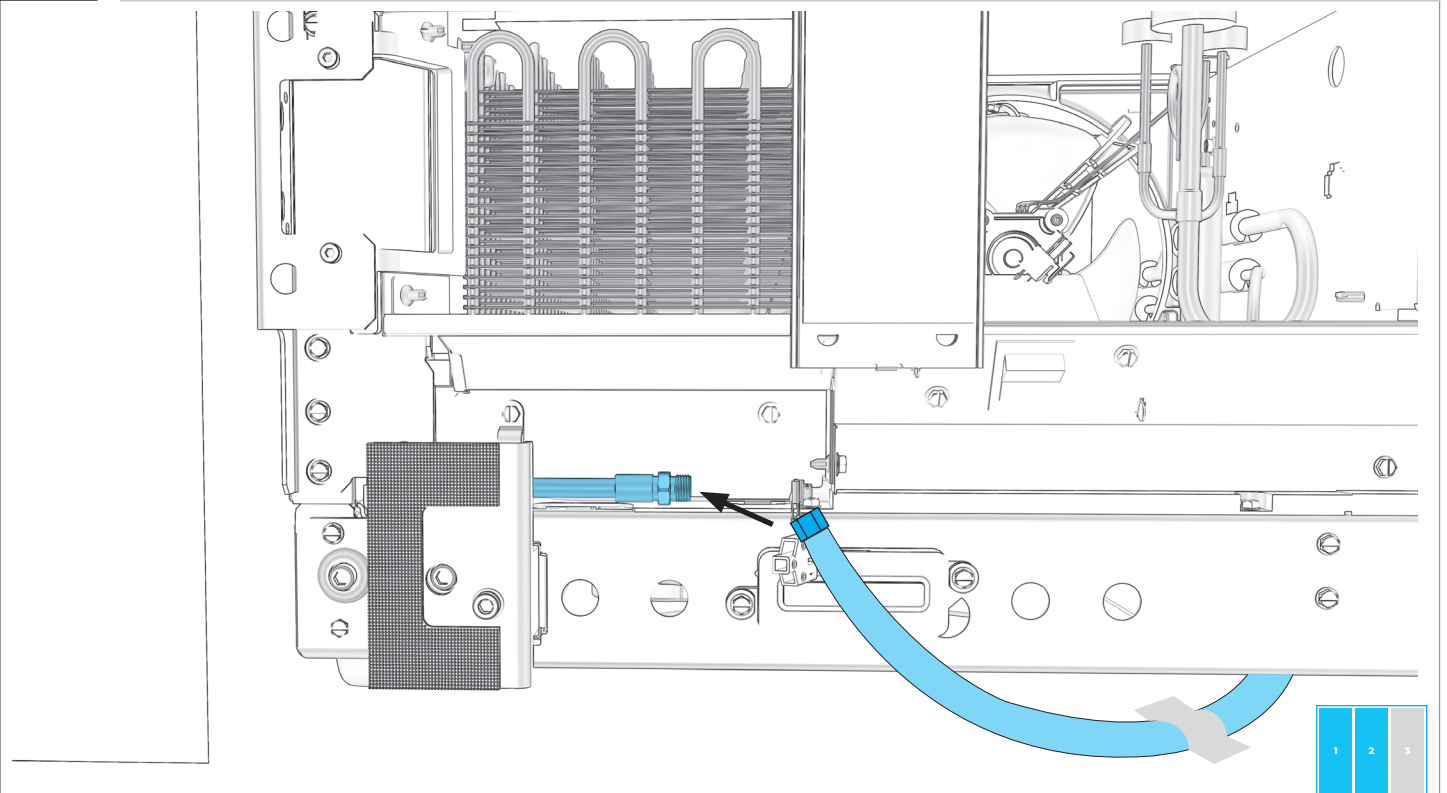
SECURE BOTTOM INSTALLATION BRACKET TO FURNITURE.



USE WOOD SCREWS OF AN APPROPRIATE LENGTH

### 7.10

CONNECT THE WATER SUPPLY LINES.



IF INSTALLING ONLY TWO COLUMNS:  
**GO TO SECTION 9**

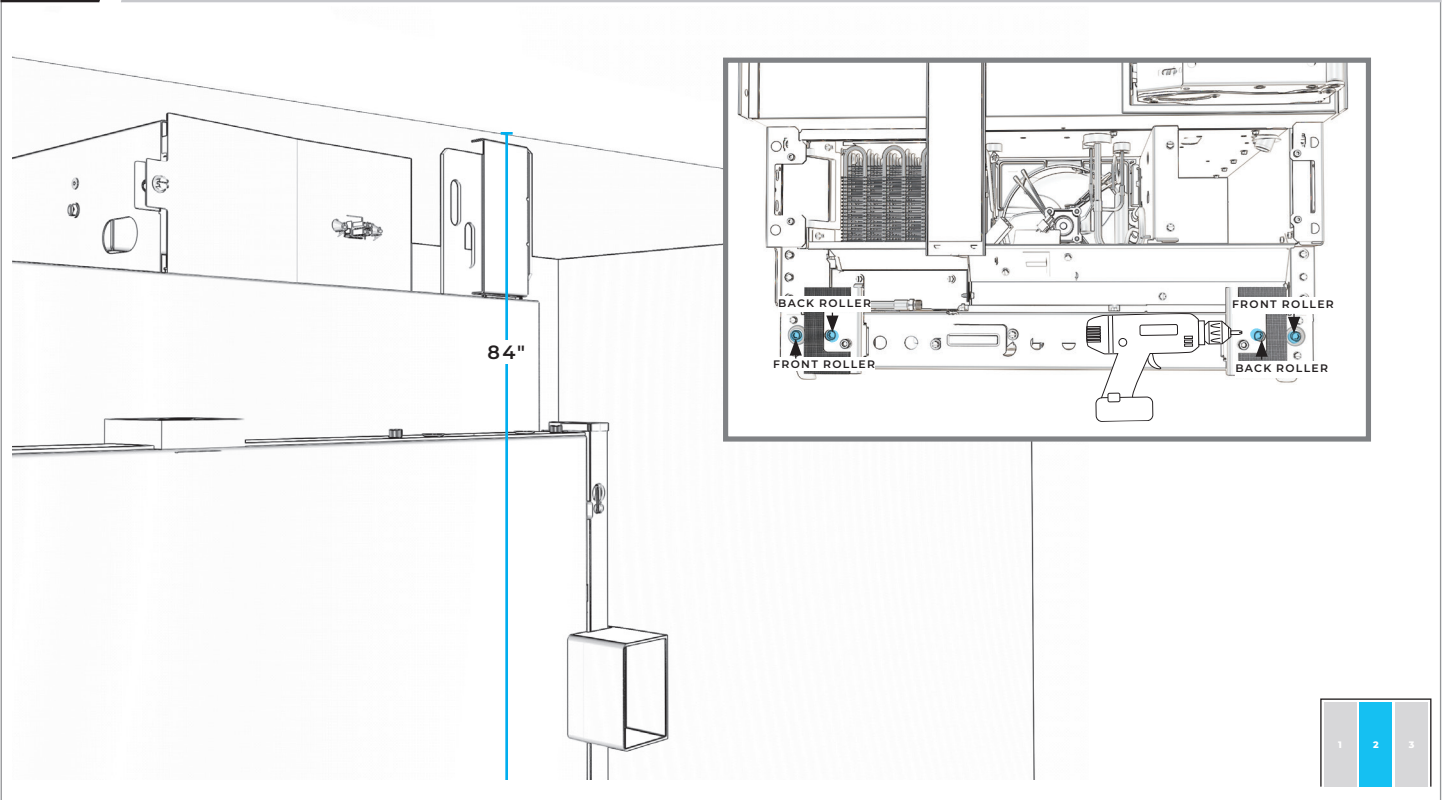


**THIRD**  
COLUMN INSTALLATION



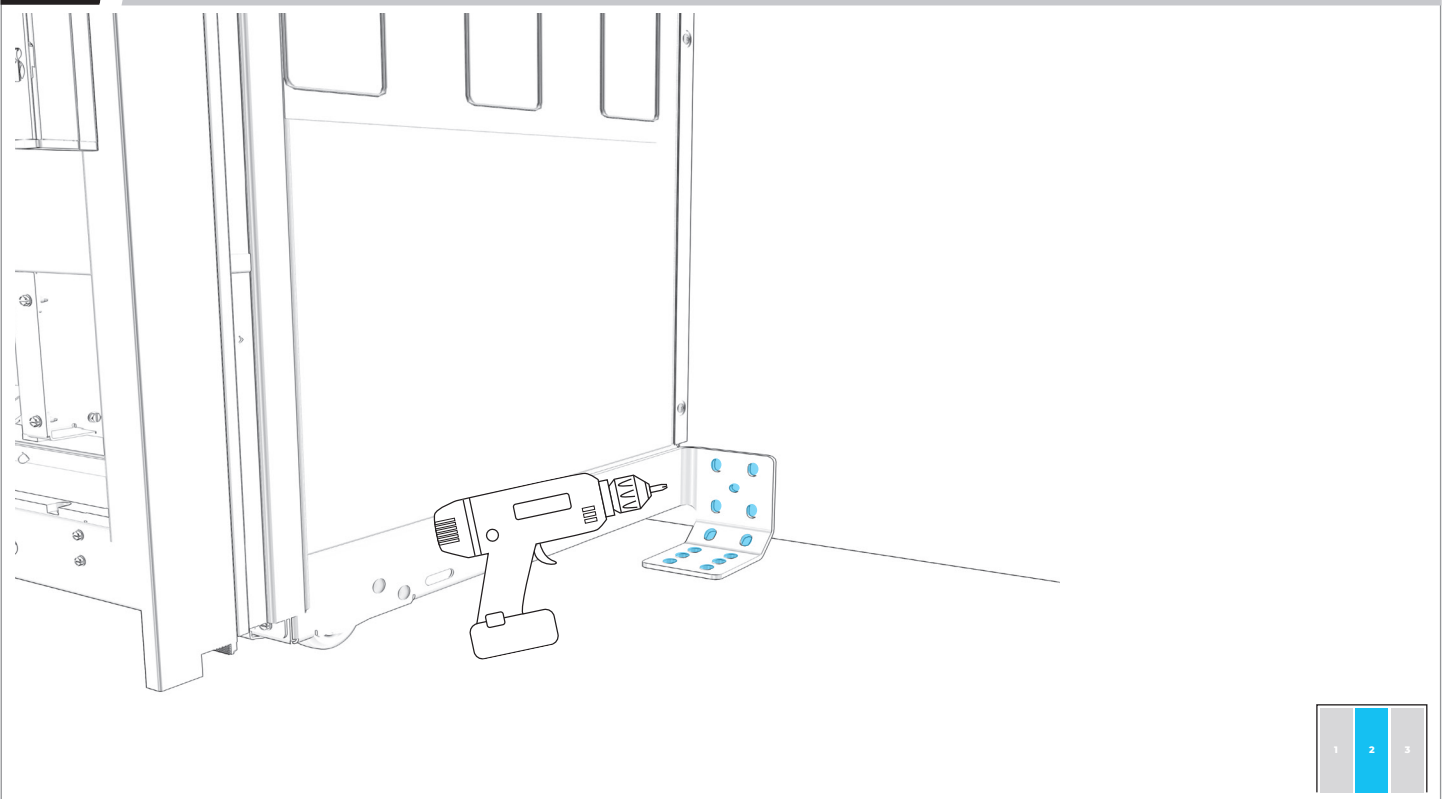
8.1

SECOND COLUMN: RAISE TO 84" LINE.



8.2

SECOND COLUMN: SECURE POSITIONING BRACKET.

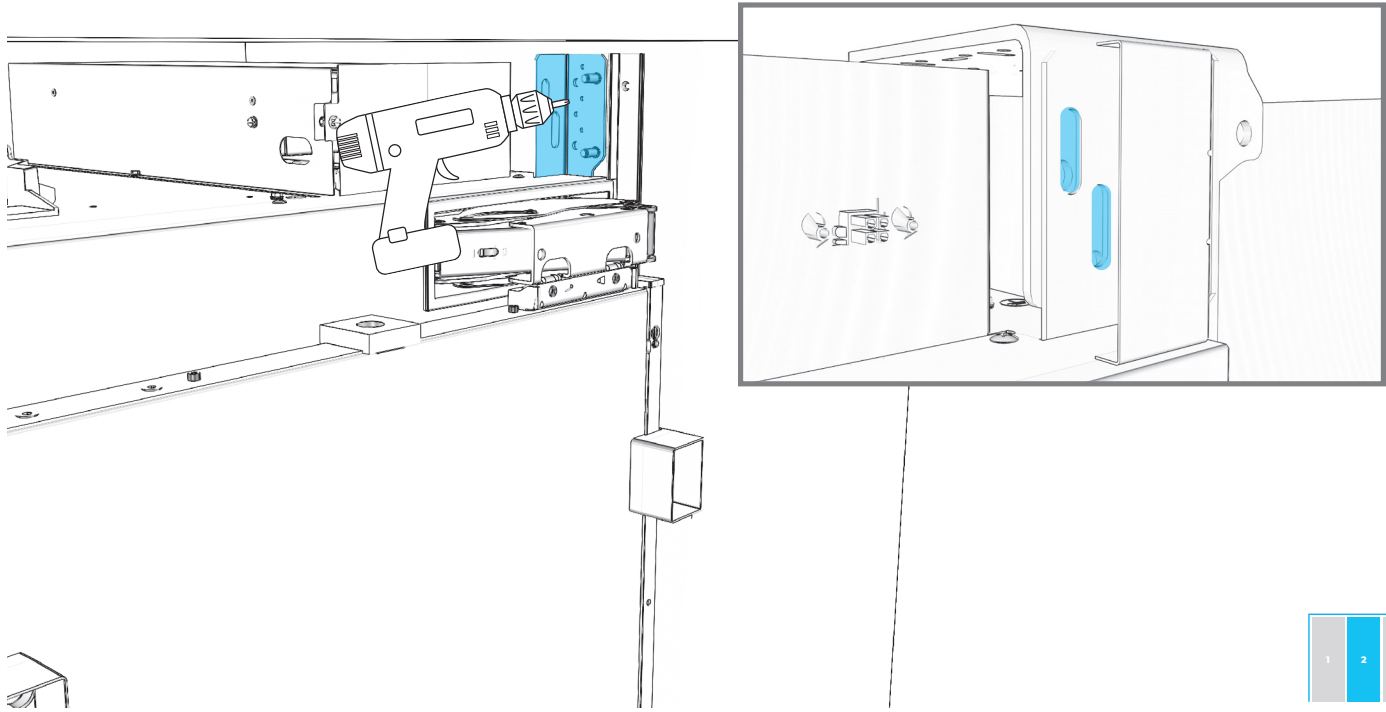


# 8

## THIRD COLUMN INSTALLATION

### 8.3

LOOSELY DRIVE SCREWS THROUGH INSTALLATION BRACKET AND BADASS SOFFIT BRACKET.



BEFORE PLUGGING IN COLUMN, READ WARNING.

### **⚠ WARNING**



#### Electrical Shock Hazard

**Plug into a grounded 3 prong outlet.**

**Do not remove ground prong.**

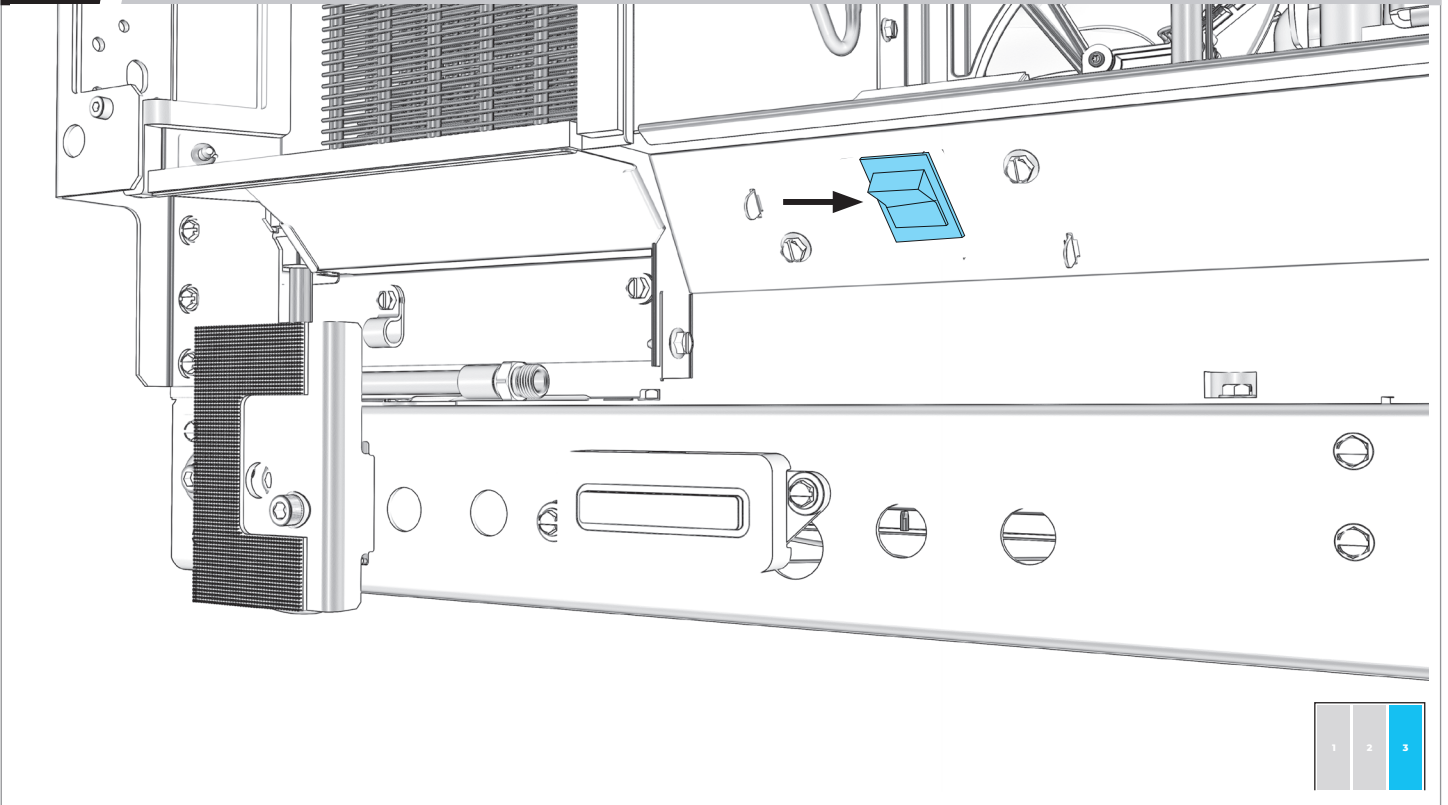
**Do not use an adapter.**

**Do not use an extension cord.**

**Failure to follow these instructions can result in death, fire, or electrical shock.**

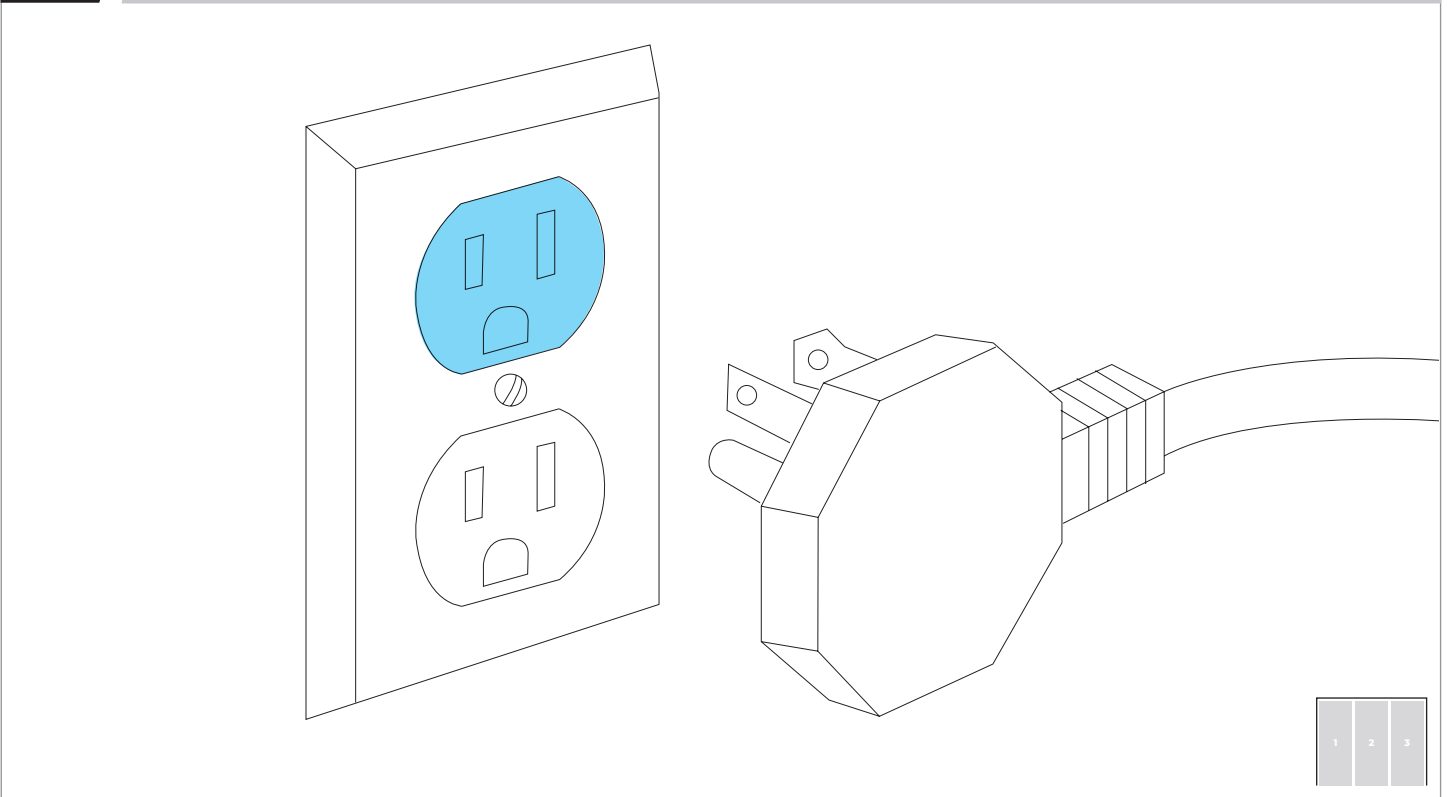
8.4

THIRD COLUMN: SWITCH OFF POWER.



8.5

PLUG INTO GROUNDED 3-PRONG OUTLET.



BEFORE MOVING COLUMN, READ ALL WARNINGS.

**⚠ WARNING****Tip Over Hazard**

Refrigerator is top heavy and tips easily when not completely installed.

Keep doors taped closed until refrigerator is completely installed.

Use two or more people to move and install refrigerator.

Failure to do so can result in death or serious injury.

**When Moving Your Refrigerator:**

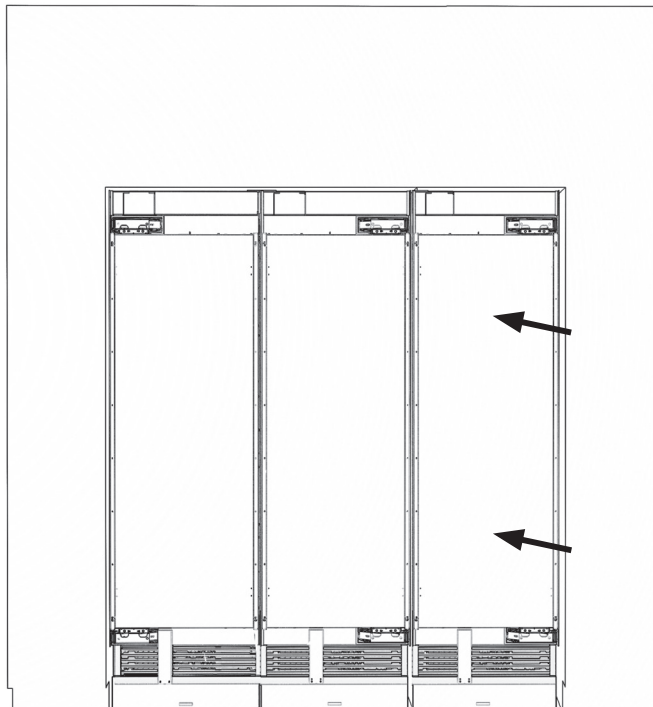
Your refrigerator is heavy. When moving the refrigerator for cleaning or service, be sure to cover the floor with cardboard or hardboard to avoid floor damage. Always pull the refrigerator straight out when moving it. Do not wiggle or “walk” the refrigerator when trying to move it, as floor damage could occur.

**Important information to know about glass shelves and covers:**

Do not clean glass shelves or covers with warm water when they are cold. Shelves and covers may break if exposed to sudden temperature changes or impact, such as bumping. Tempered glass is designed to shatter into many small, pebble-size pieces. This is normal. Glass shelves and covers are heavy. Use both hands when removing them to avoid dropping.

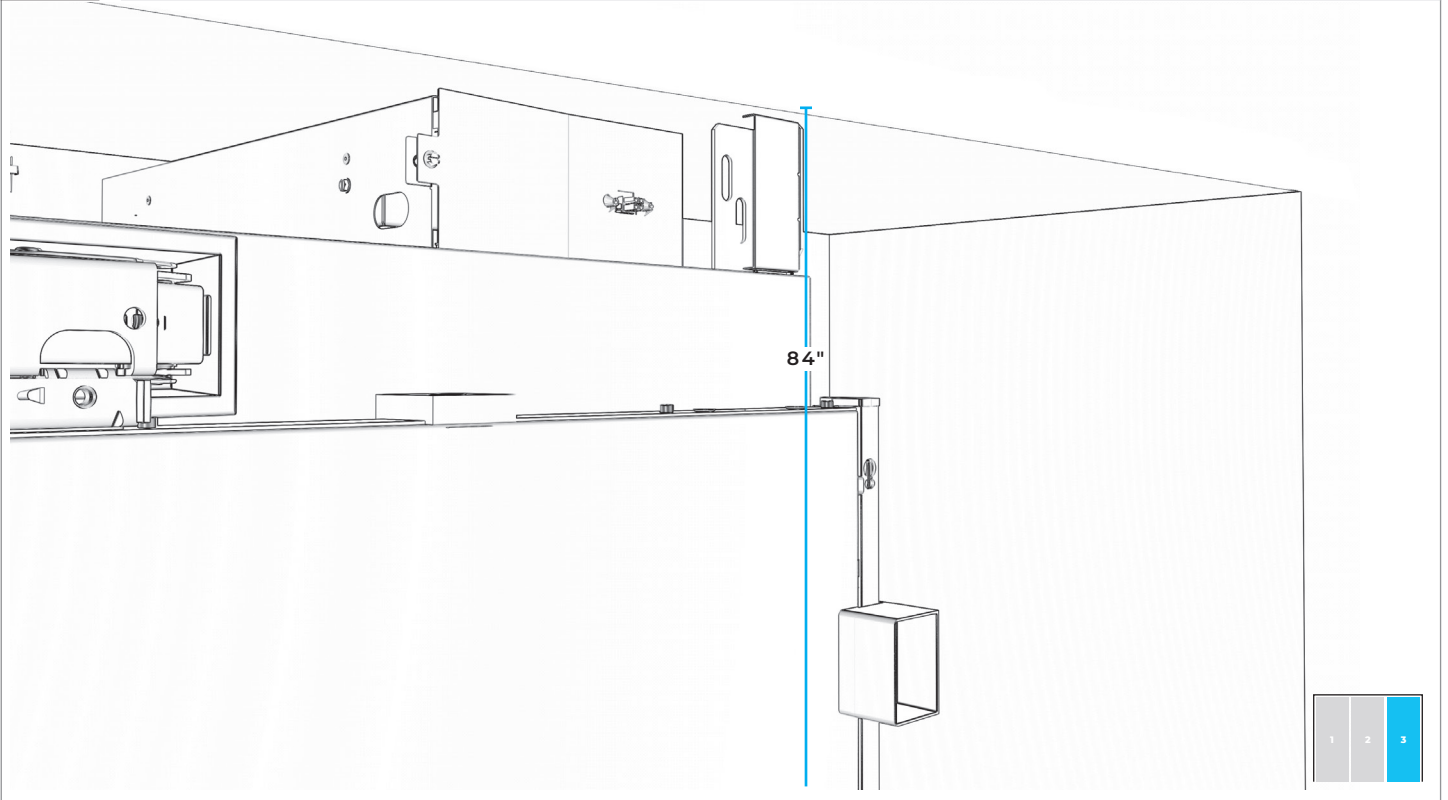
**8.7**

THIRD COLUMN: MOVE INTO THE CUTOUT.



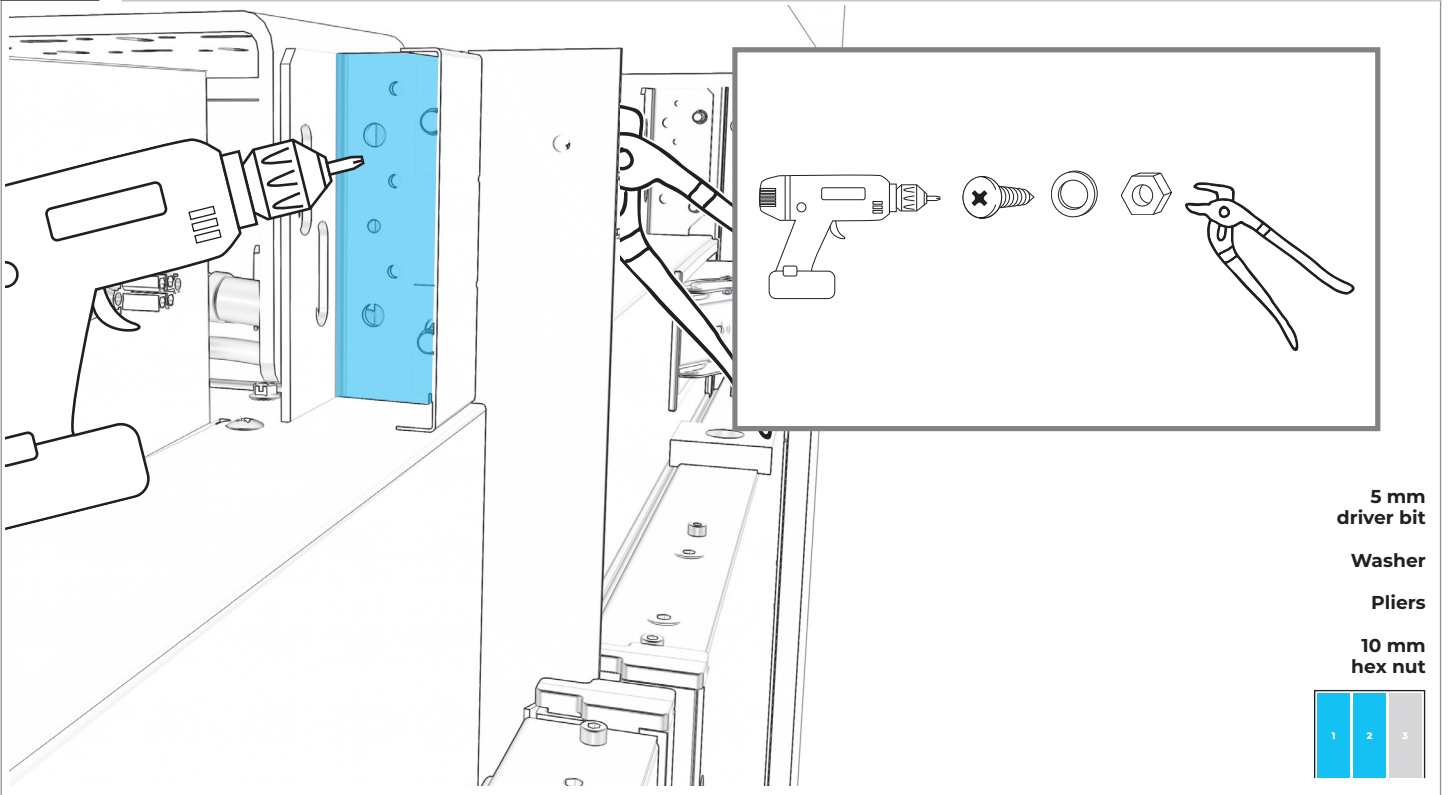
8.8

THIRD COLUMN: RAISE TO 84" LINE.



8.9

SECURE SECOND UNIT TO THIRD UNIT AT TOP.

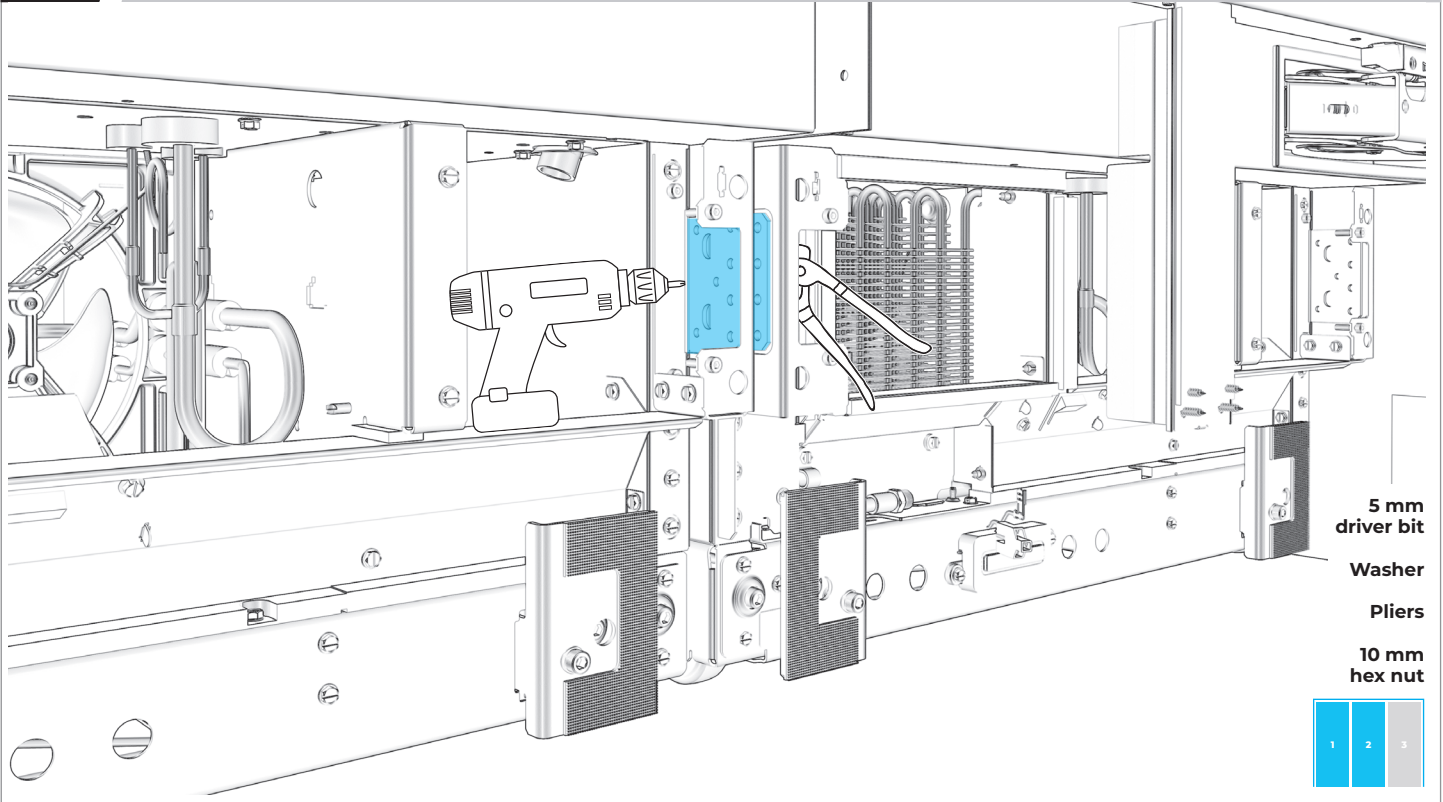


# 8

## THIRD COLUMN INSTALLATION

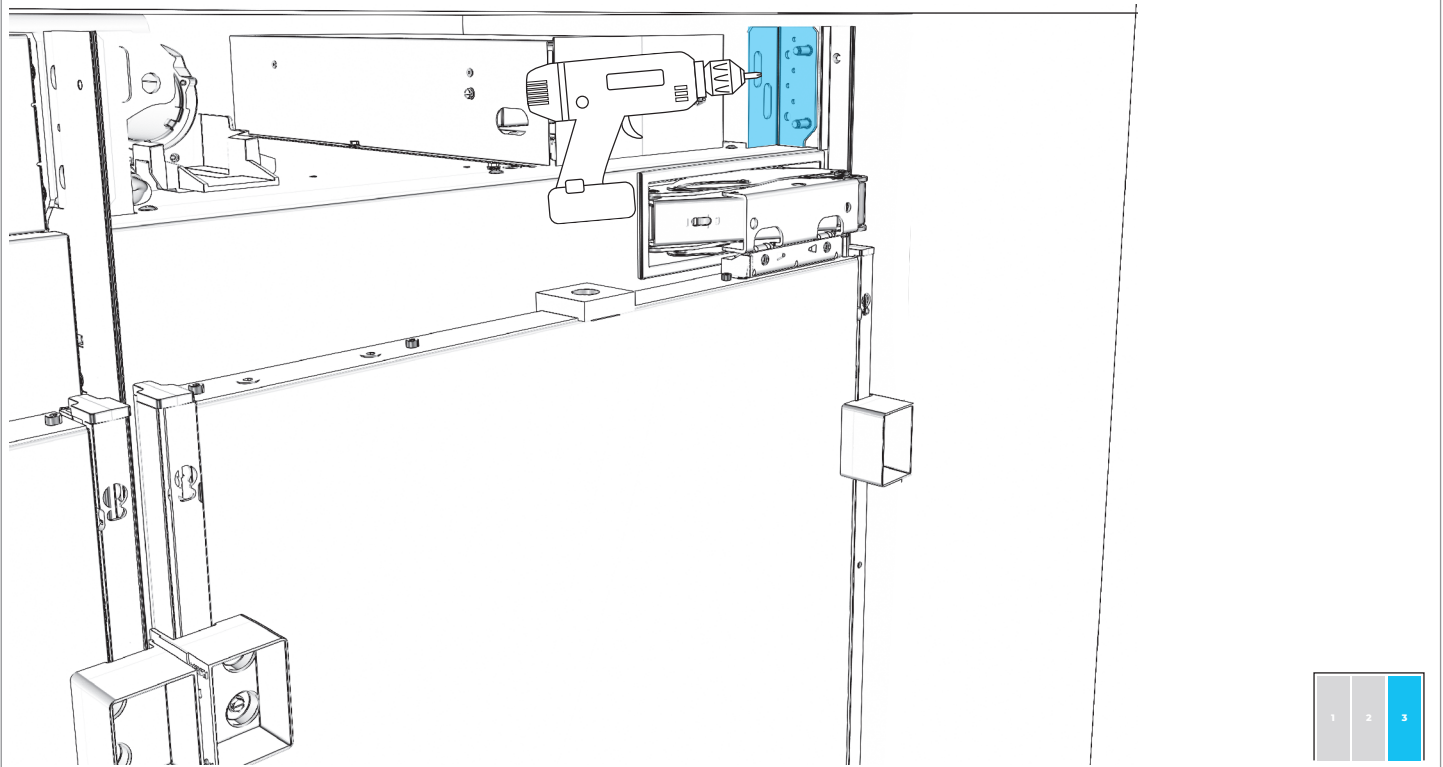
### 8.10

REPEAT ON BOTTOM BRACKET.

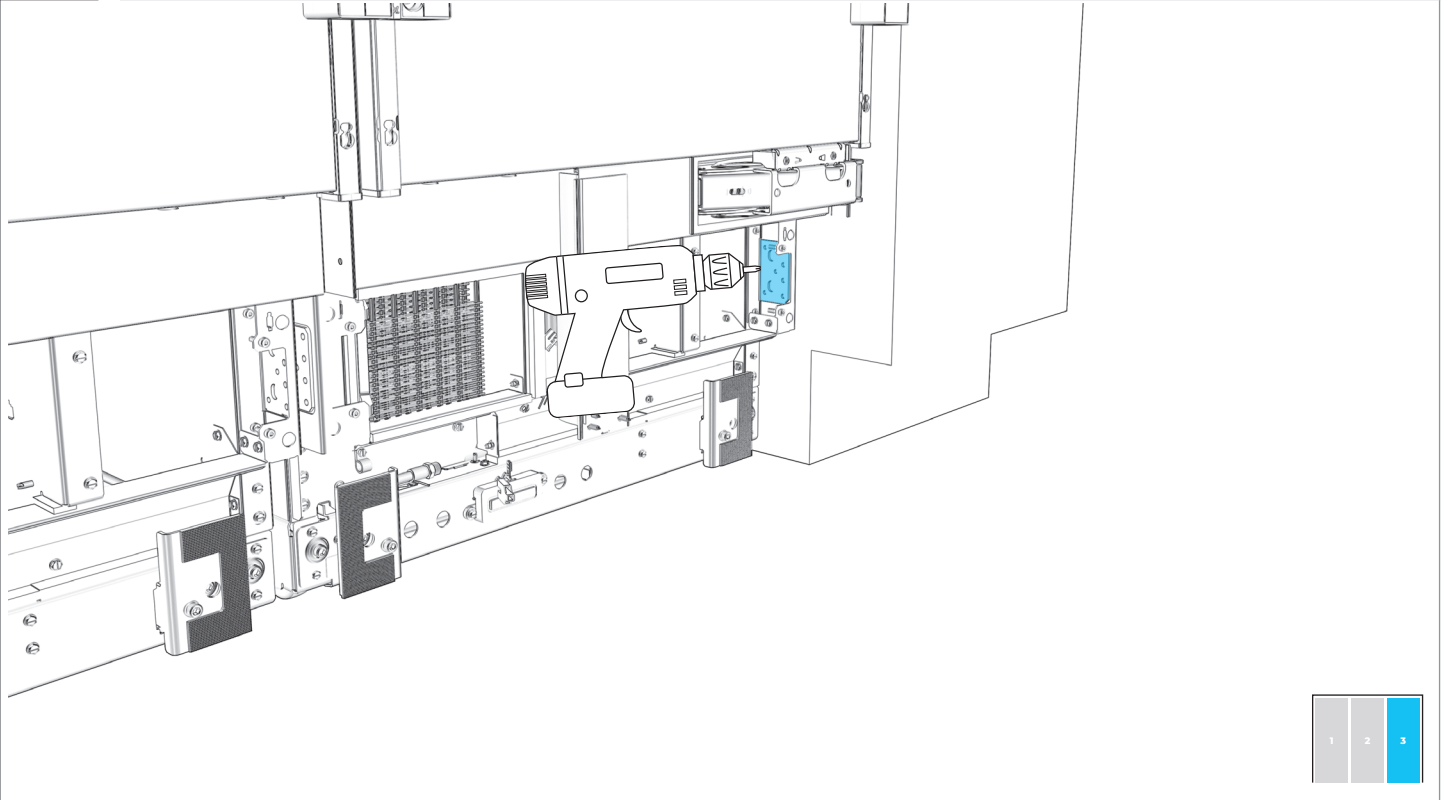


### 8.11

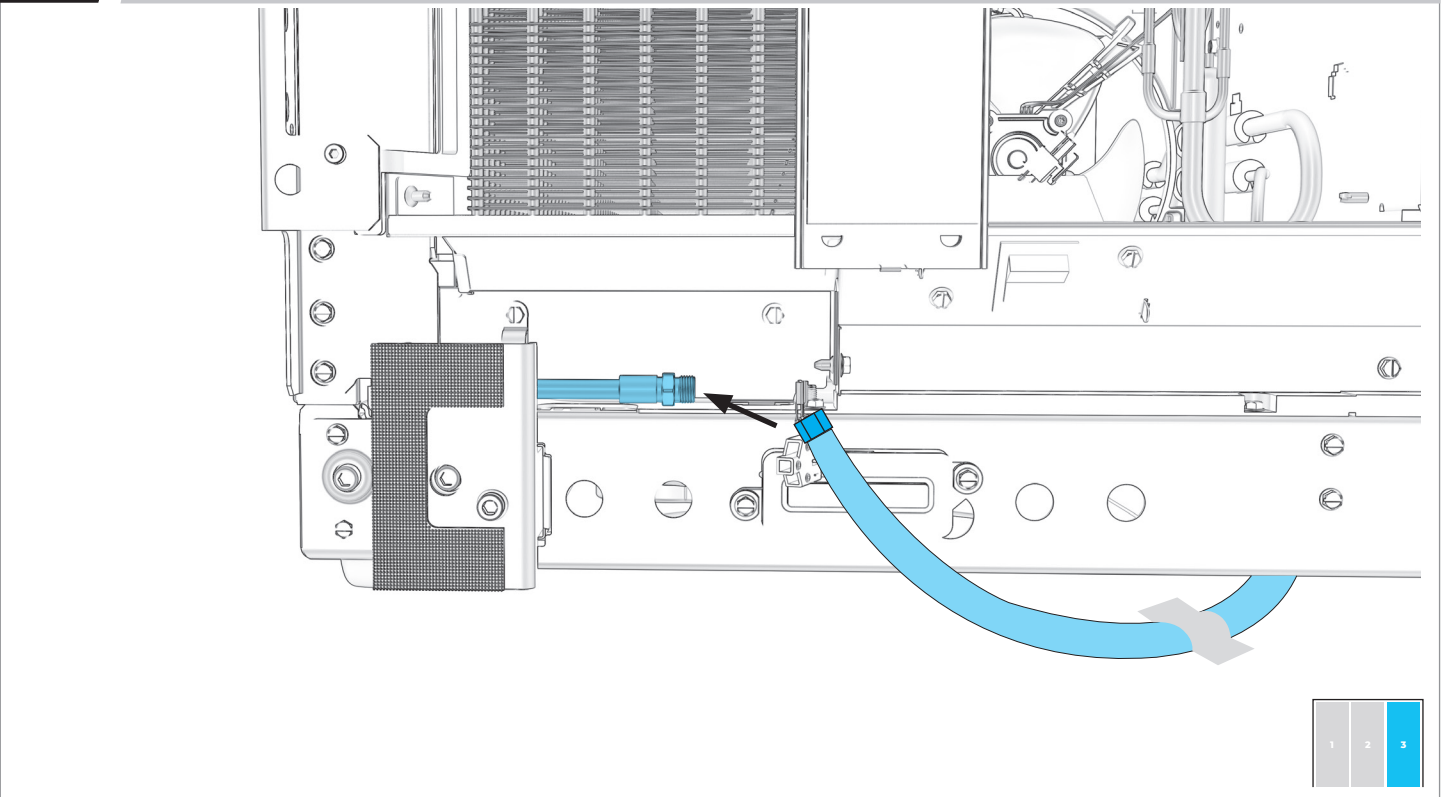
THIRD COLUMN: SECURE TO RIGHT SIDE PANEL.



**8.12** THIRD COLUMN: REPEAT ON BOTTOM BRACKET.



**8.13** CONNECT THE WATER SUPPLY LINE.



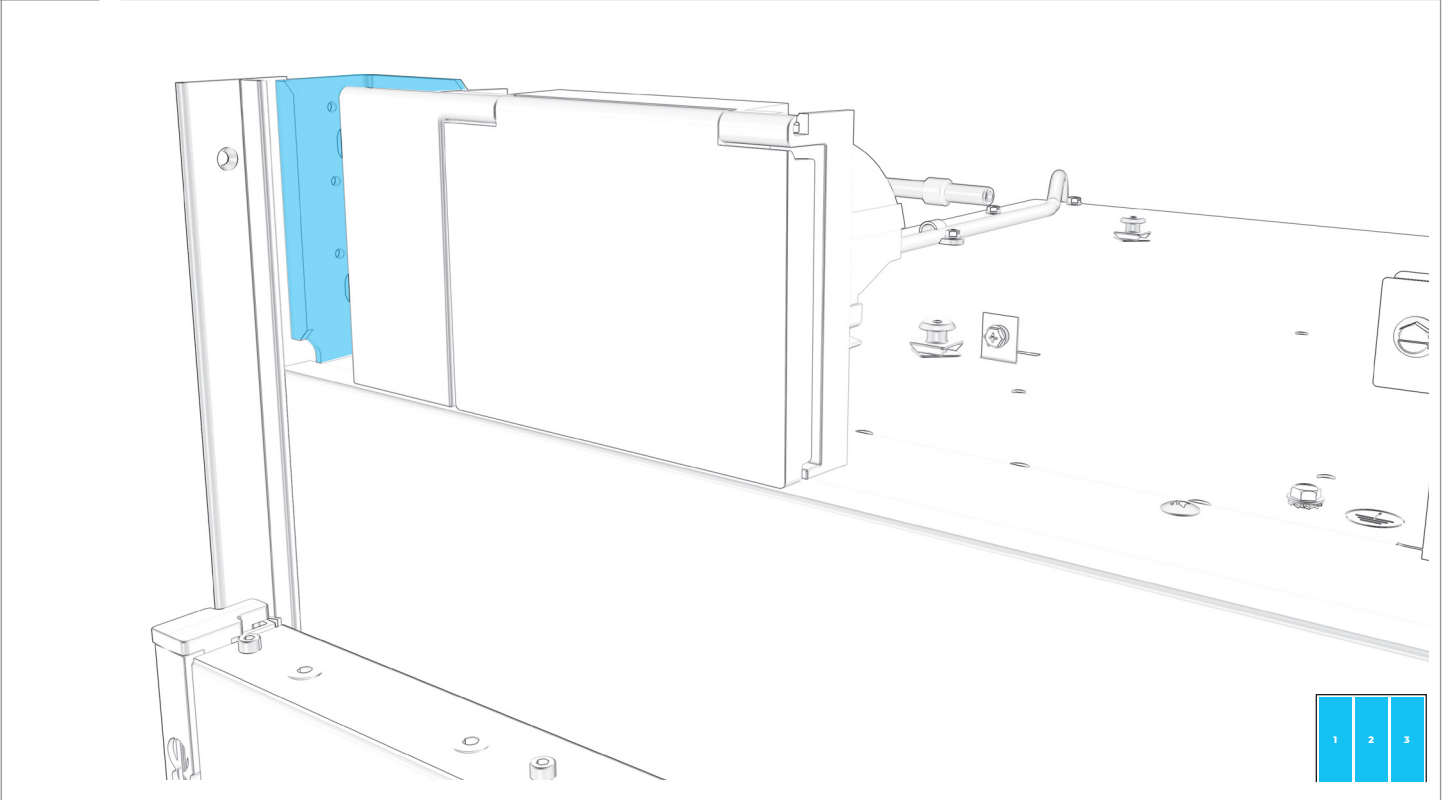
**P R E P A R E**

**COLUMNS FOR USE**



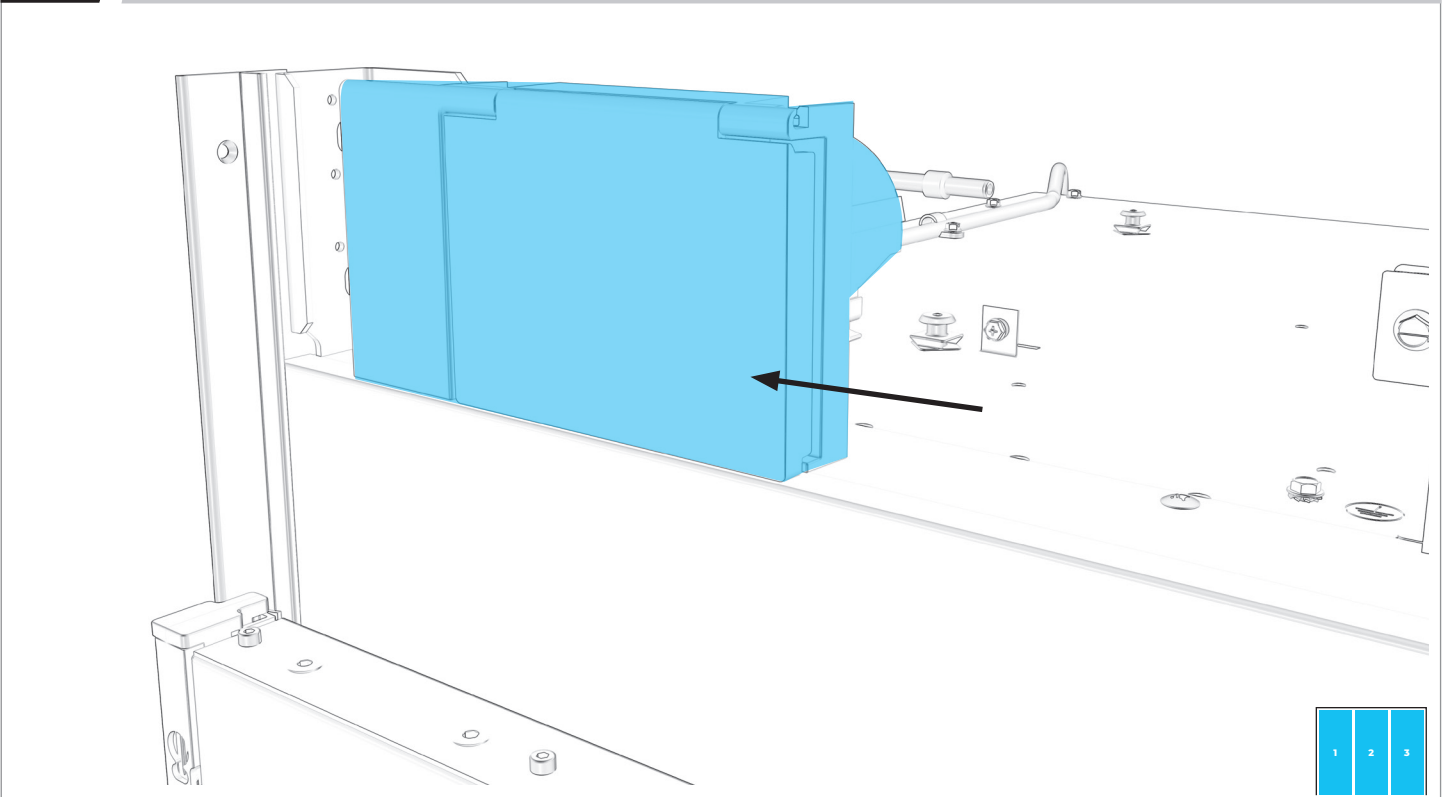
9.1

EACH COLUMN: ALIGN FILTER HOUSING BETWEEN BRACKETS ON TOP OF COLUMN.



9.2

EACH COLUMN: REINSTALL HOUSING, PUSHING LEFT WITH FORCE.

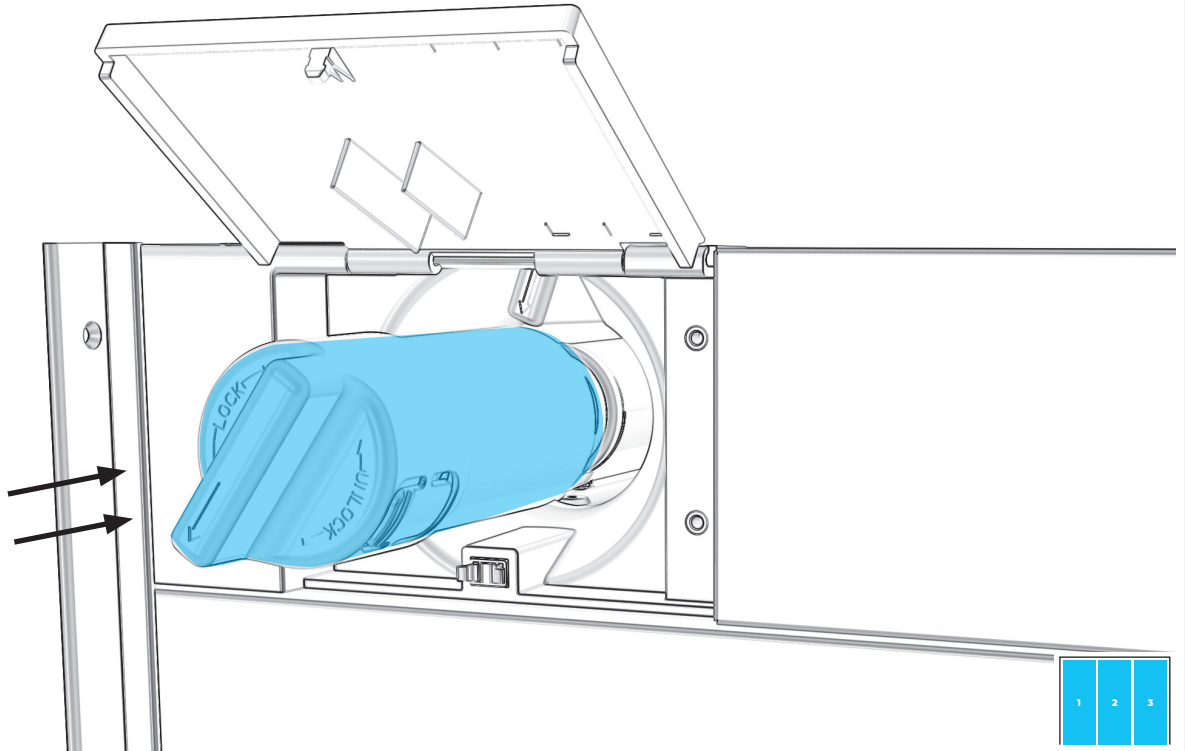


# 9

## PREPARE COLUMNS FOR USE

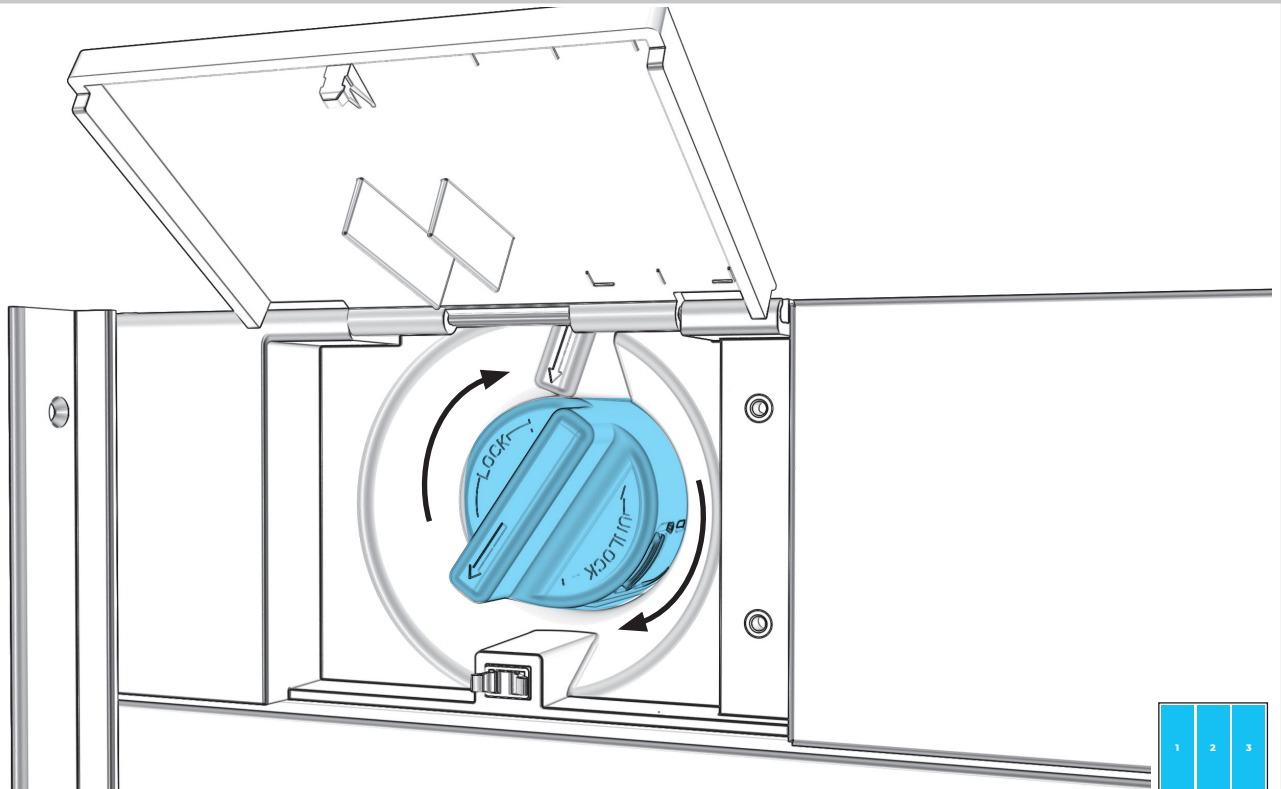
### 9.3

EACH COLUMN: INSERT WATER FILTER UNTIL SEATED.



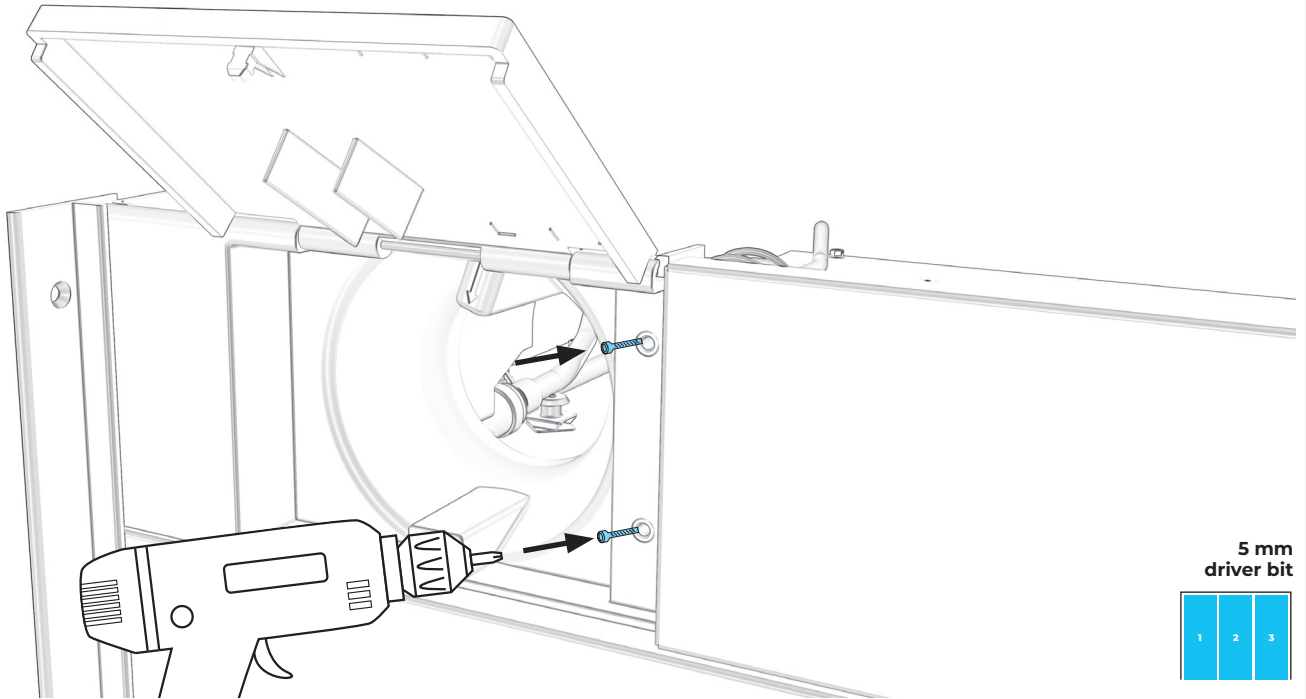
### 9.4

EACH COLUMN: ROTATE FILTER CLOCKWISE TO ALIGN ARROWS.



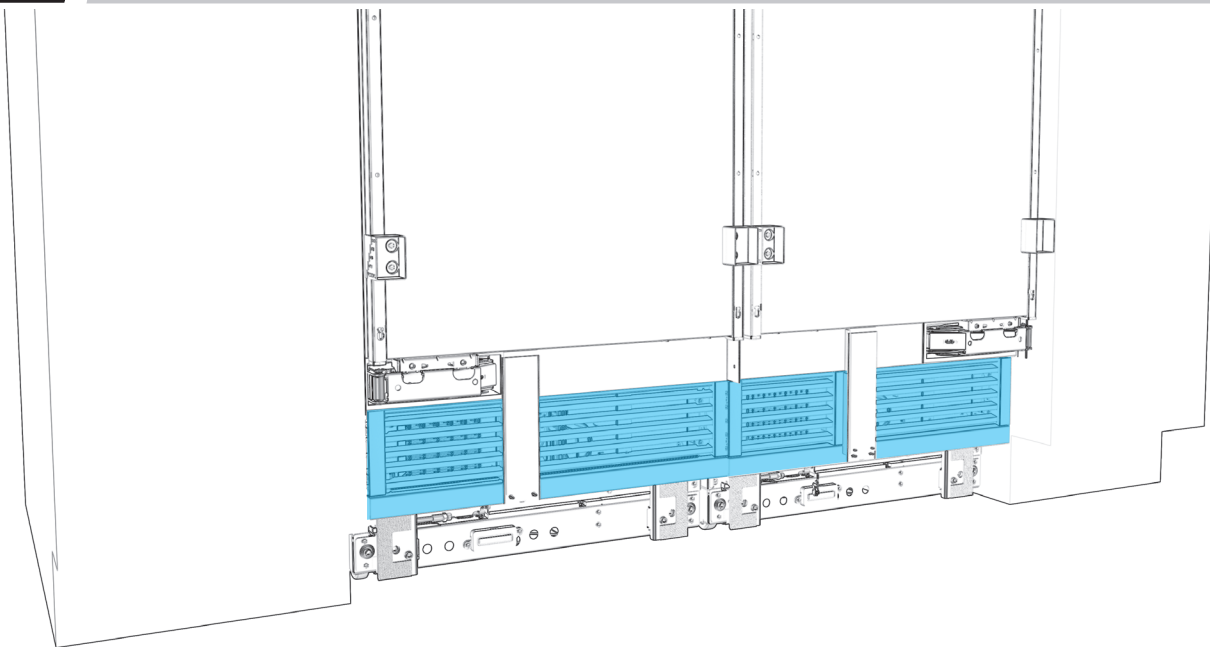
9.5

EACH COLUMN: SECURE WITH TWO SCREWS AND REPLACE TOP COVER.



9.6

EACH COLUMN: REINSTALL AIR GRILLE.

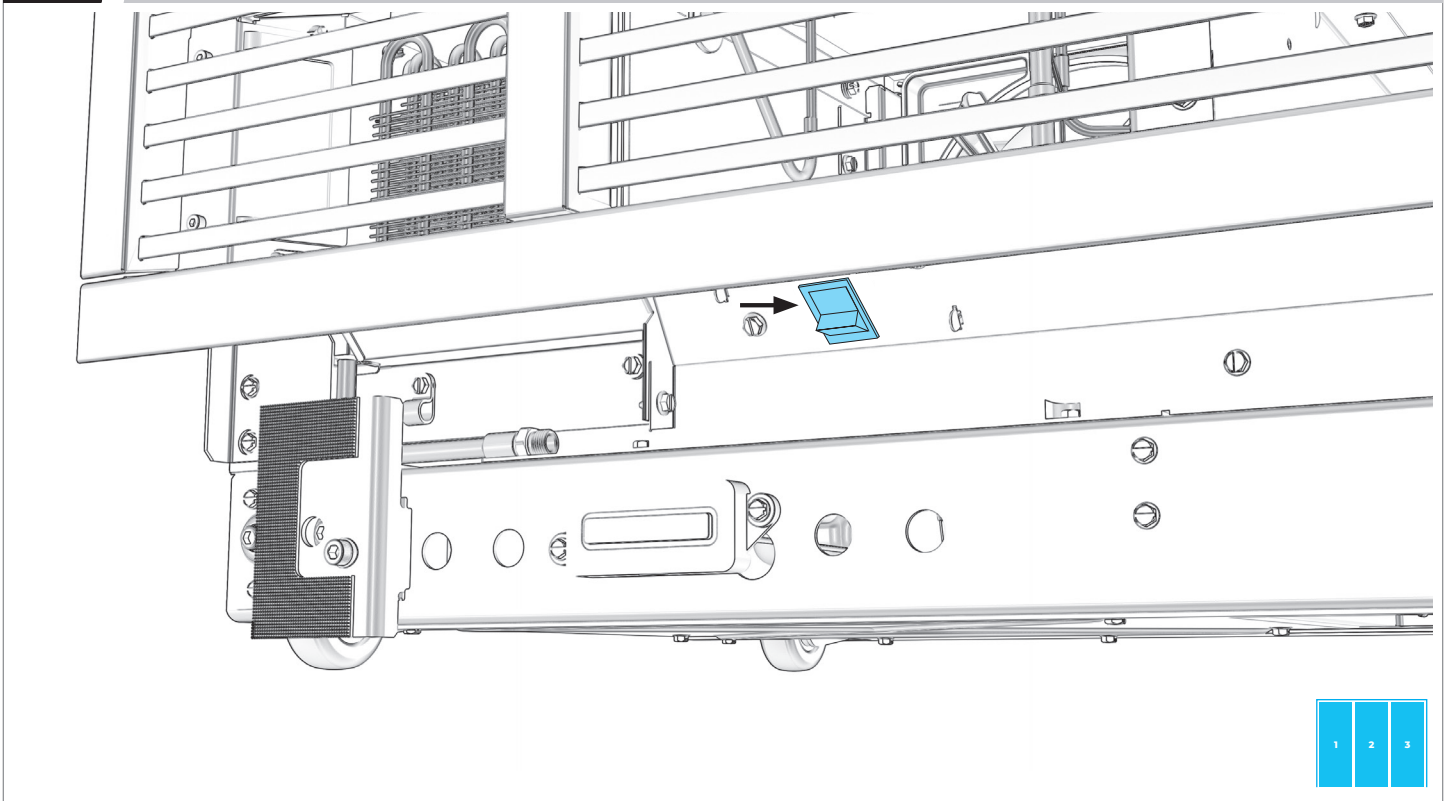


# 9

## PREPARE COLUMNS FOR USE

### 9.7

#### EACH COLUMN: TURN POWER ON



# CHECKPOINT

## INSTALLATION CHECKPOINT

**PG. 86** CUSTOM WOOD

TOE-KICK PREPARATION

**PG. 89** STAINLESS STEEL

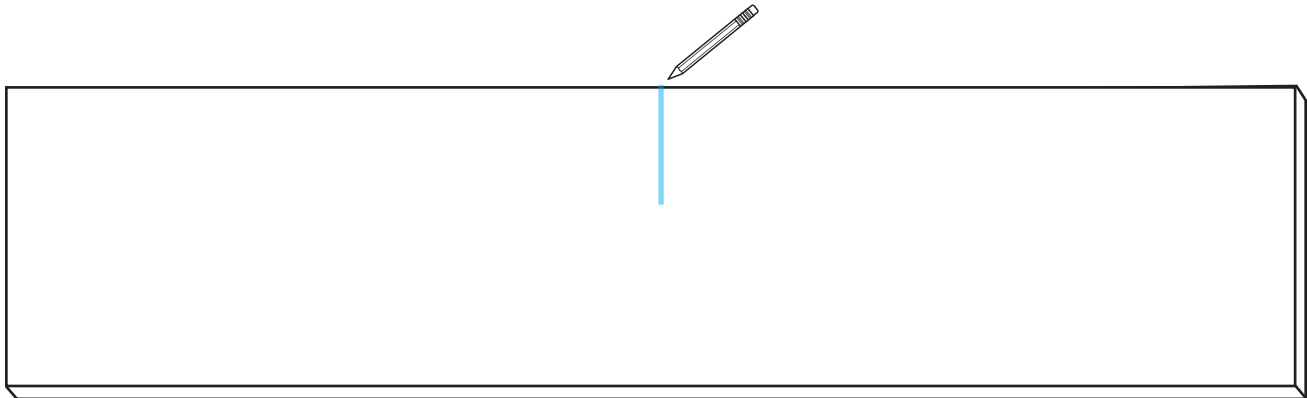
TOE-KICK PREPARATION

**PG. 92** ALIGN AND INSTALL ALL TOE-KICKS

**T O E - K I C K**  
CUSTOM WOOD PREPARATION

## 10.1

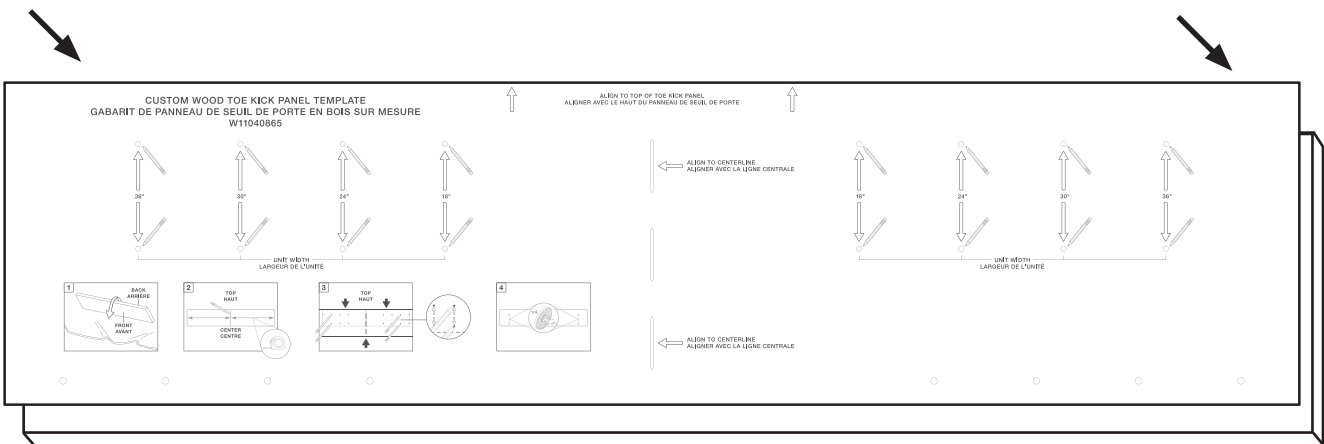
MEASURE AND MARK CENTERLINE OF TOE-KICK.



COMPLETE ALL STEPS FOR EACH UNIT.

## 10.2

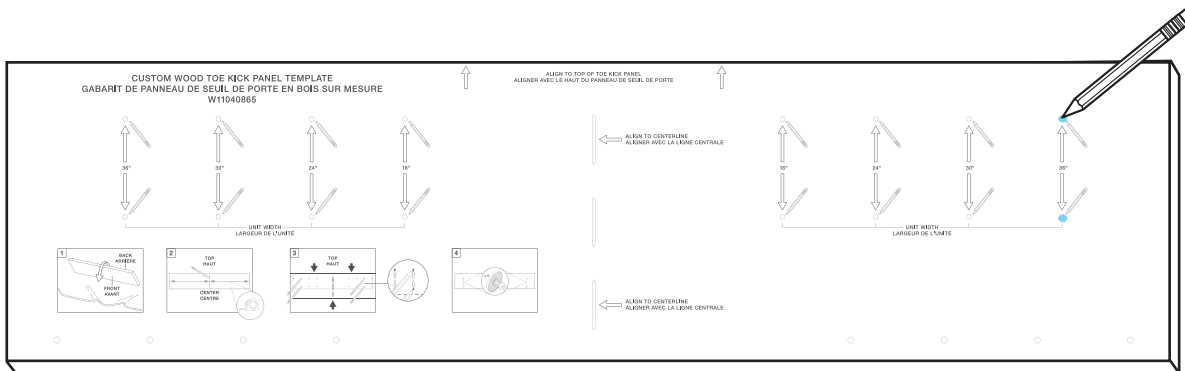
ALIGN TEMPLATE



# 10

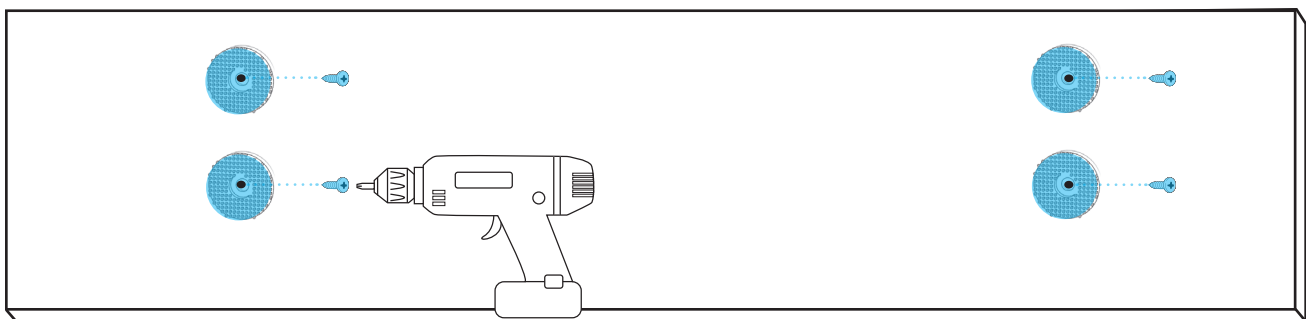
## TOE-KICK: CUSTOM WOOD PREPARATION

### 10.3 MARK GRIPPING PAD LOCATIONS.



1	2	3
---	---	---

### 10.5 ADHERE GRIPPING PADS TO POINTS.



1	2	3
---	---	---



# TOE-KICK

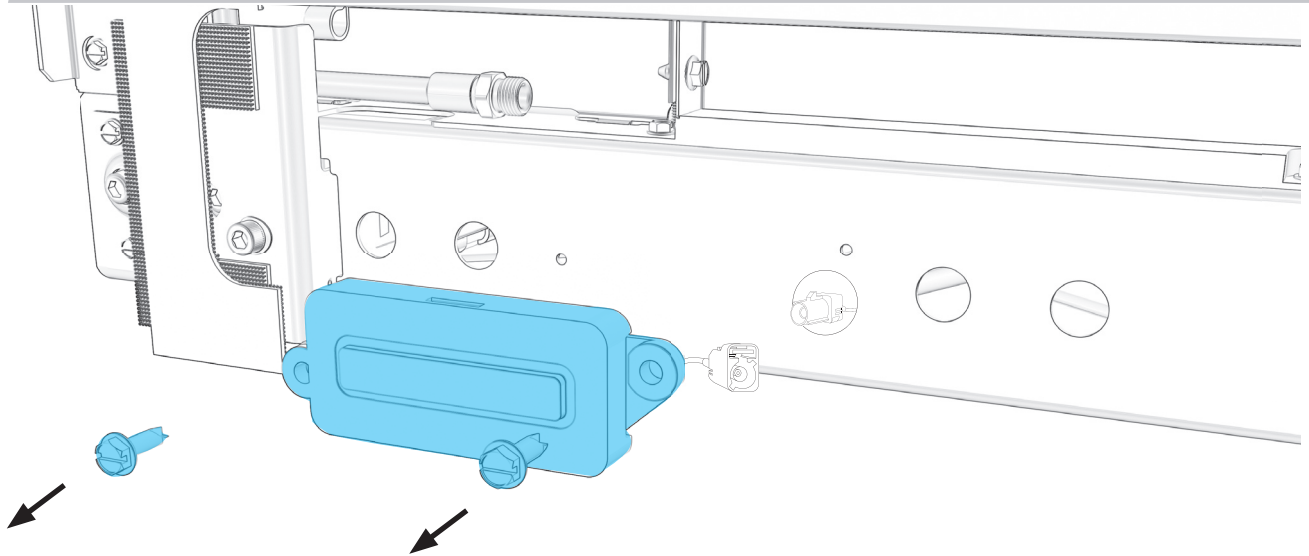
STAINLESS STEEL PREPARATION

# 11

## TOE-KICK: STAINLESS STEEL PREPARATION

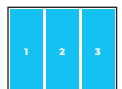
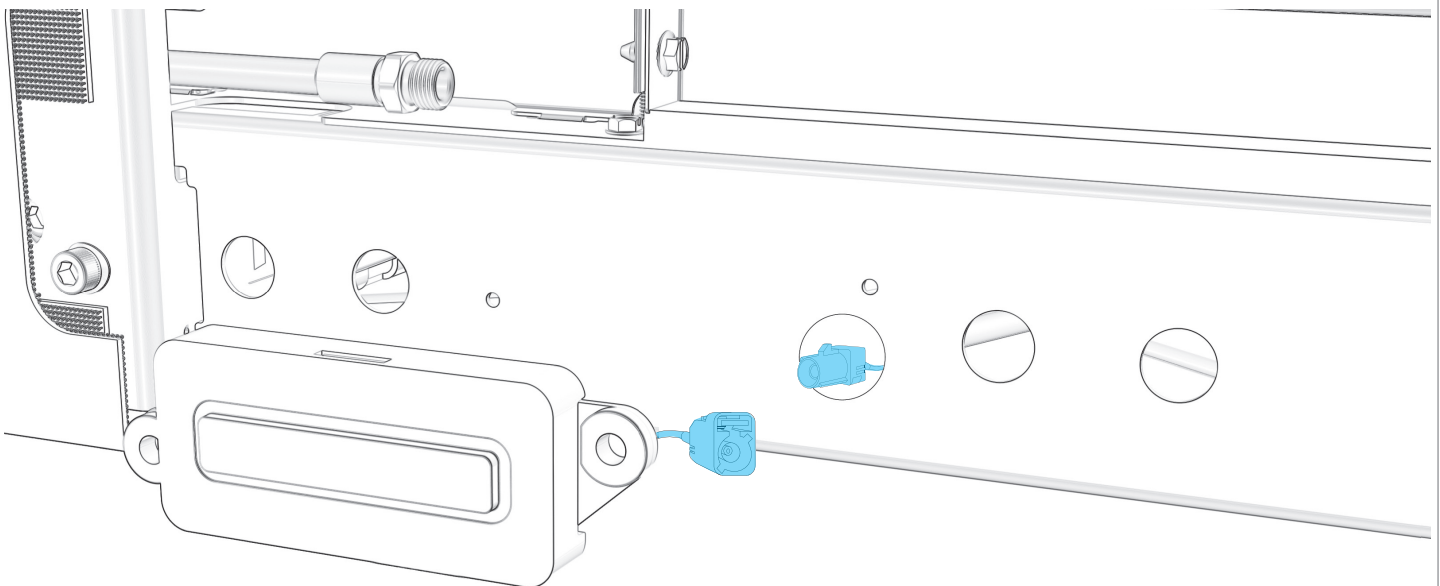
### 11.1

EACH COLUMN: UNSCREW AND DISCARD WIFI HARNESS.



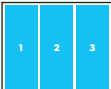
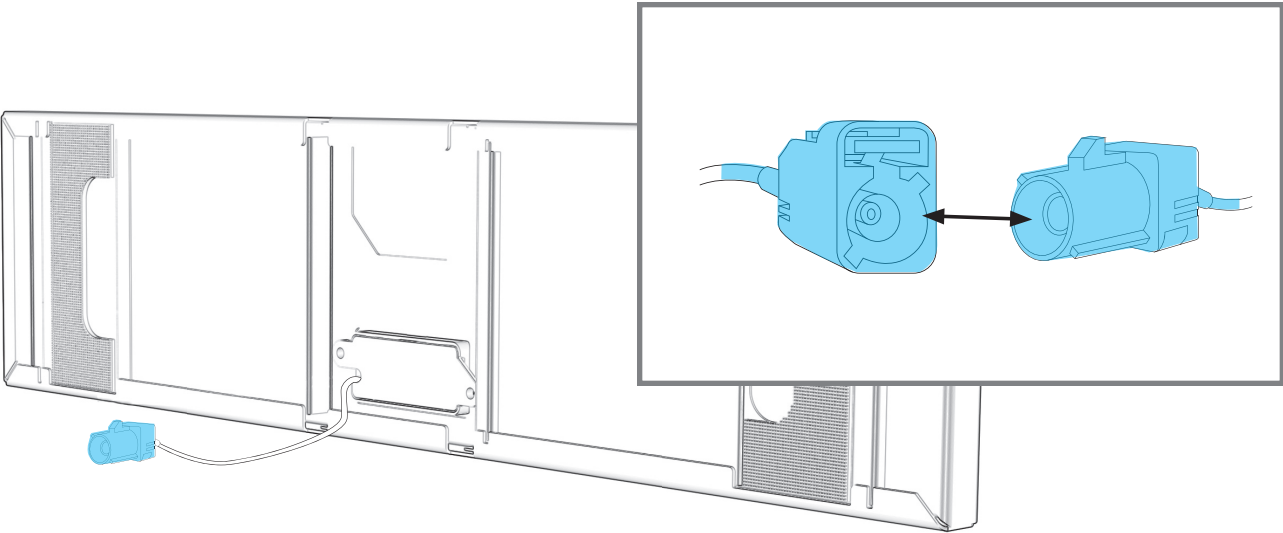
### 11.2

DISCONNECT BLUE WIFI WIRE FROM HARNESS.



11.3

ATTACH BLUE TOE-KICK AND COLUMN WIRES.

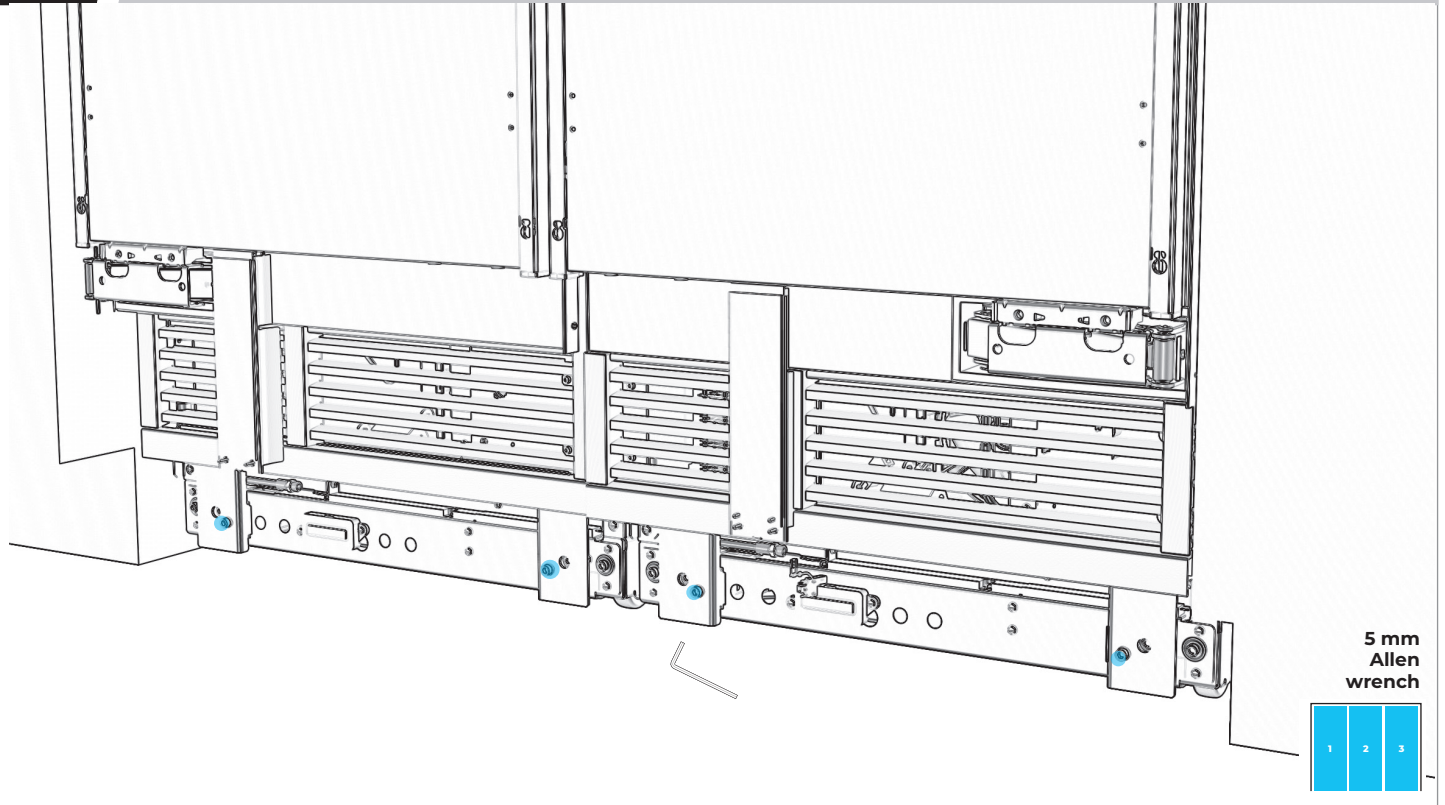


# TOE-KICK

ALIGN AND INSTALL

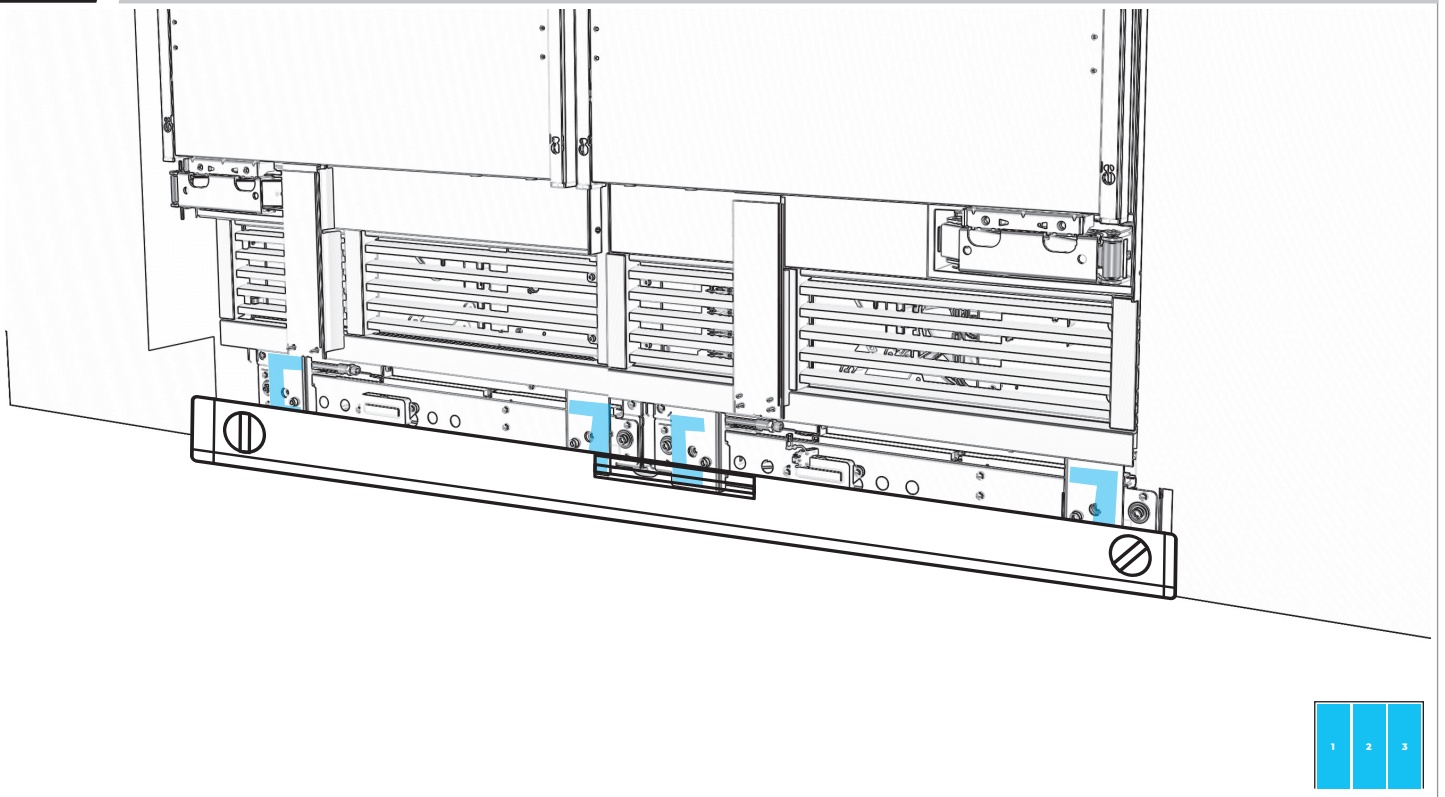
## 12.1

ALIGN TOE-KICK BRACKETS WITH FURNITURE TOE-KICK.



## 12.2

CHECK THAT BRACKETS ARE IN PLANE.

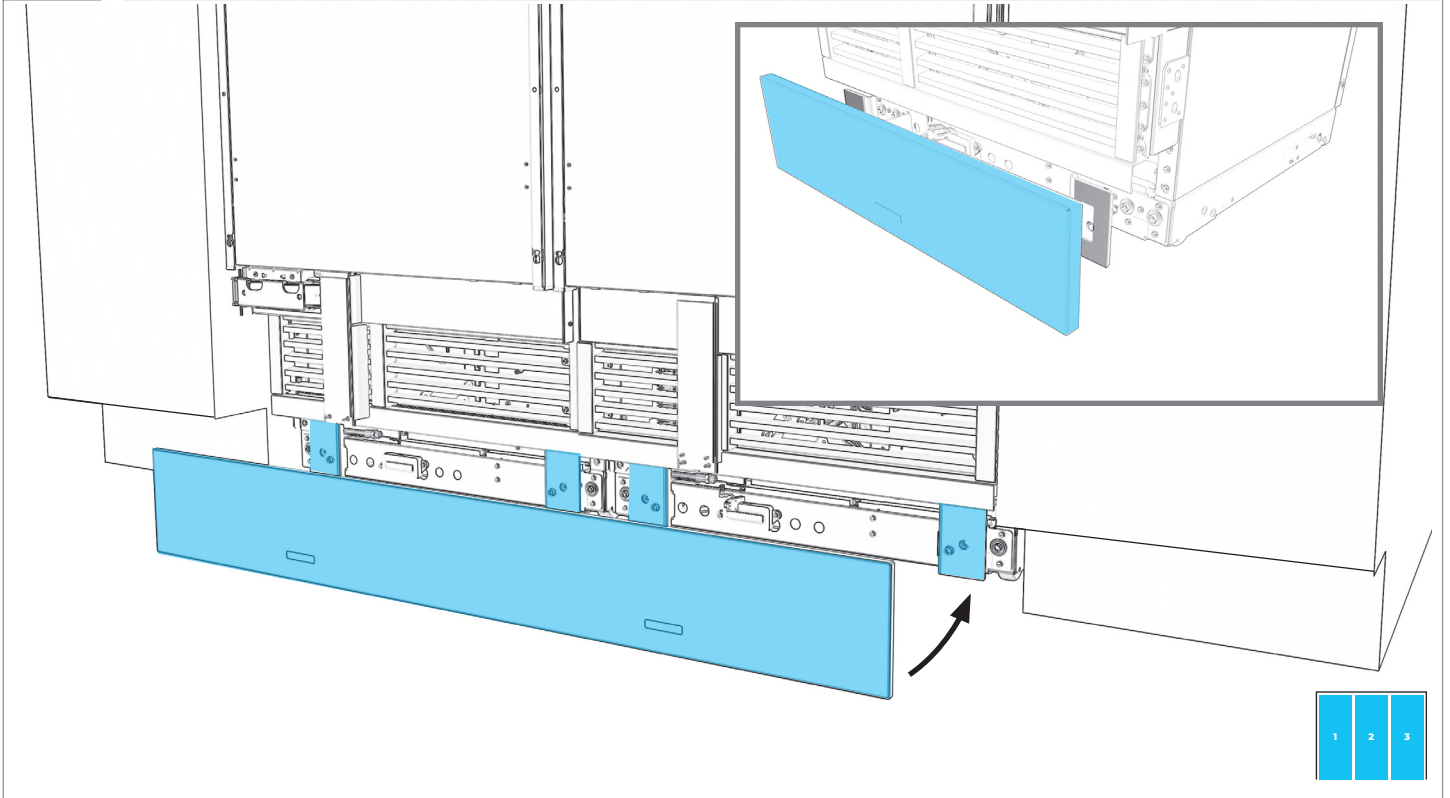


# 12

## TOE KICK: ALIGN AND INSTALL

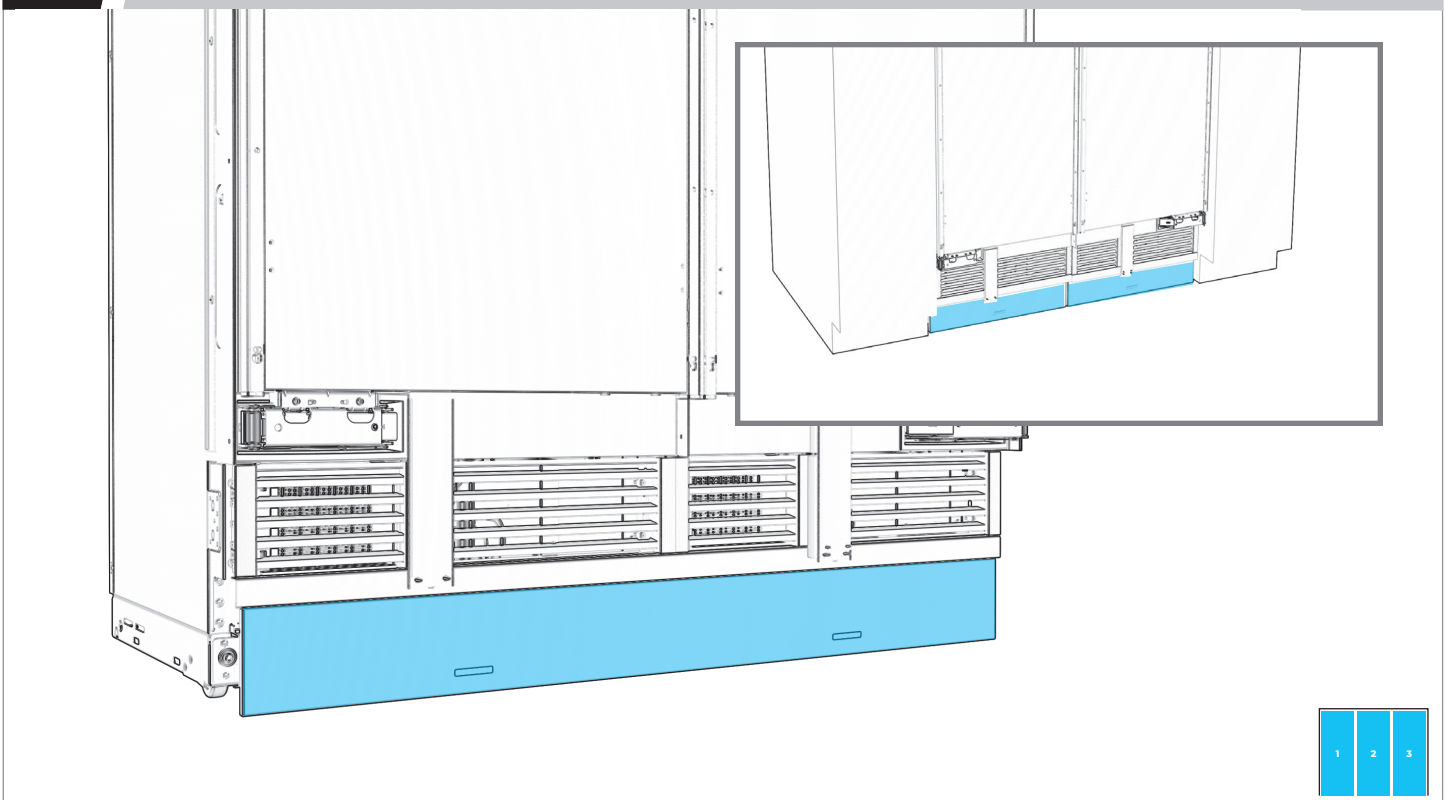
### 12.3

ALIGN TOE-KICK GRIPPING PADS WITH BRACKETS.



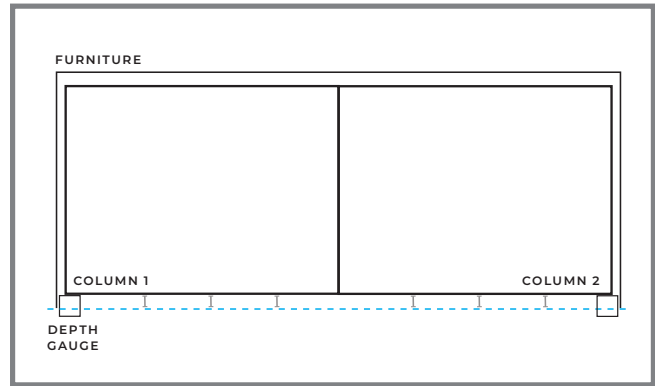
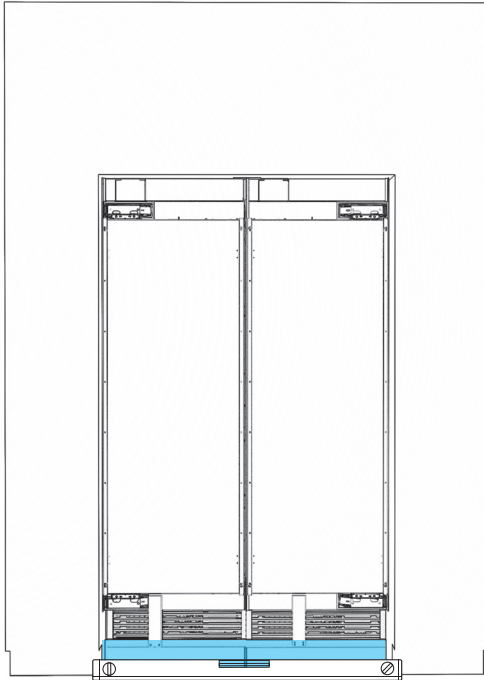
### 12.4

PRESS FIRMLY TO ATTACH.



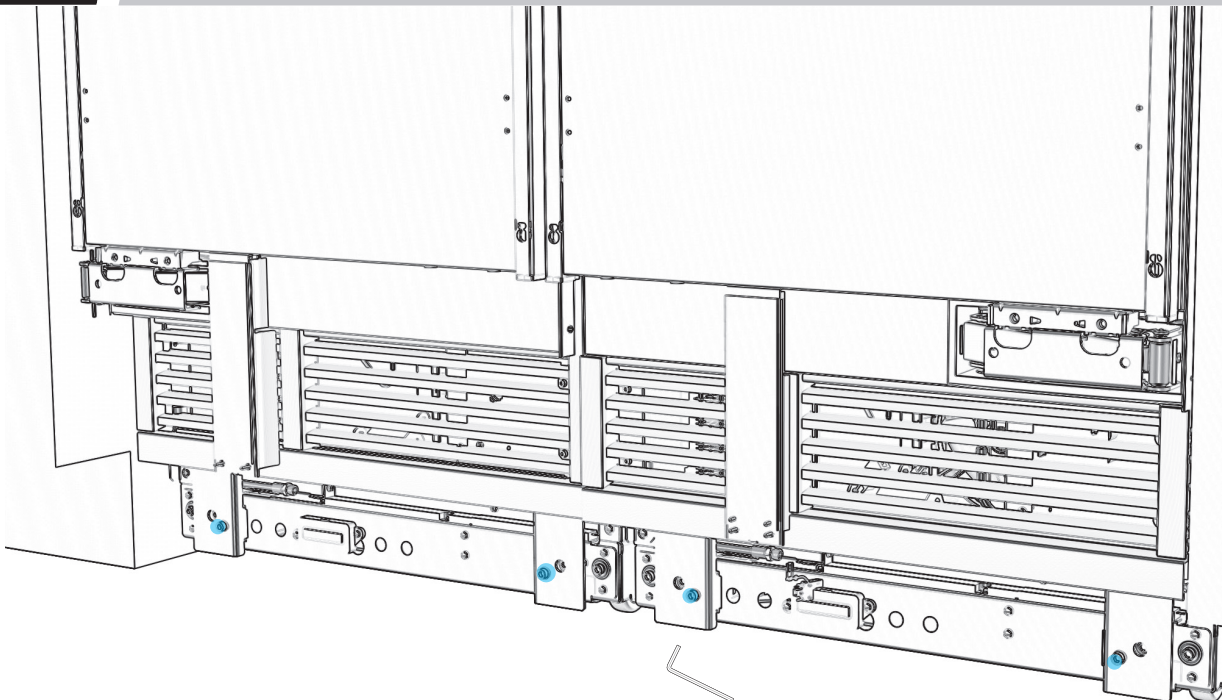
## 12.5

MEASURE OFFSET. IF UNEVEN, REMOVE TOE-KICK.

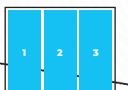


## 12.6

ADJUST BRACKETS TO ALIGN TOE-KICK.

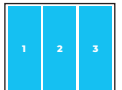
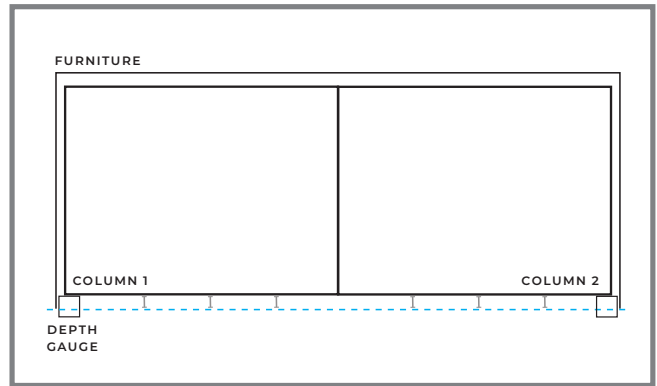


5 mm  
Allen  
wrench



12.7

CONFIRM ALIGNMENT, READJUSTING IF NECESSARY.





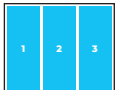
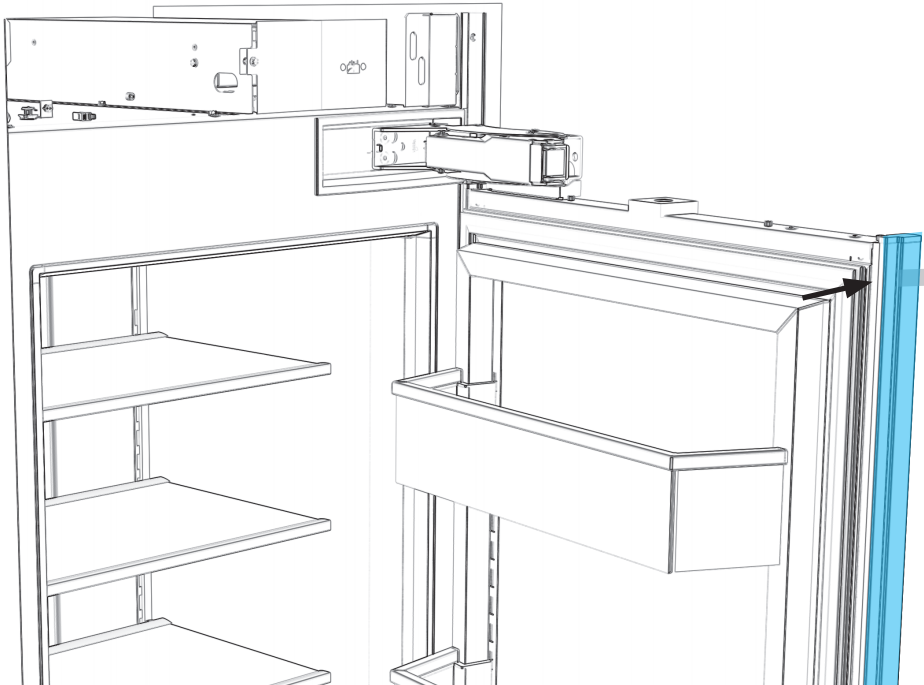
**PANEI.**  
CUSTOM WOOD PREPARATION

# 13

## PANEL: CUSTOM WOOD PREPARATION

### 13.1

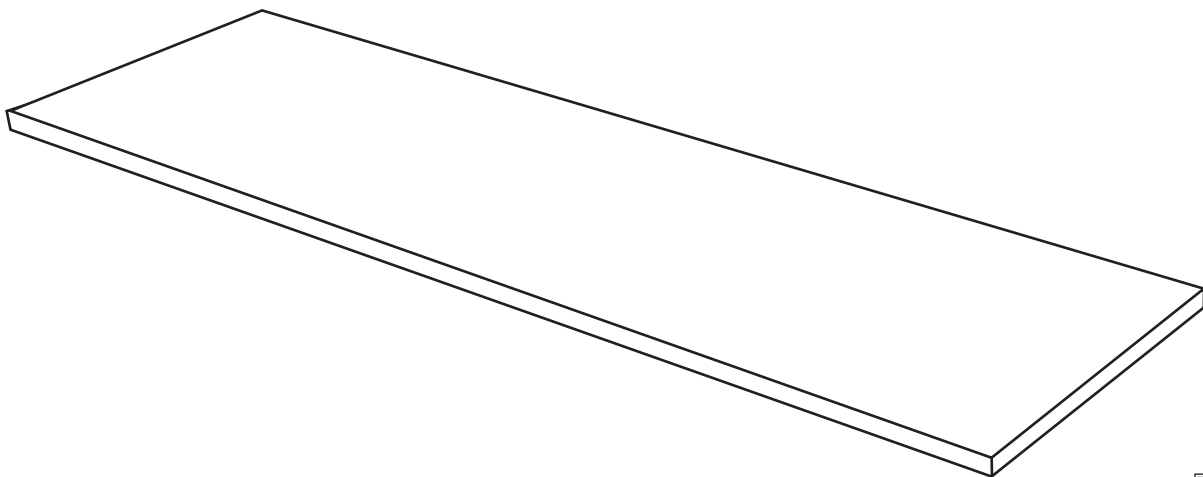
PULL TAPE TO POP OFF BRACKET TRIM.



COMPLETE ALL STEPS FOR EACH UNIT.

### 13.2

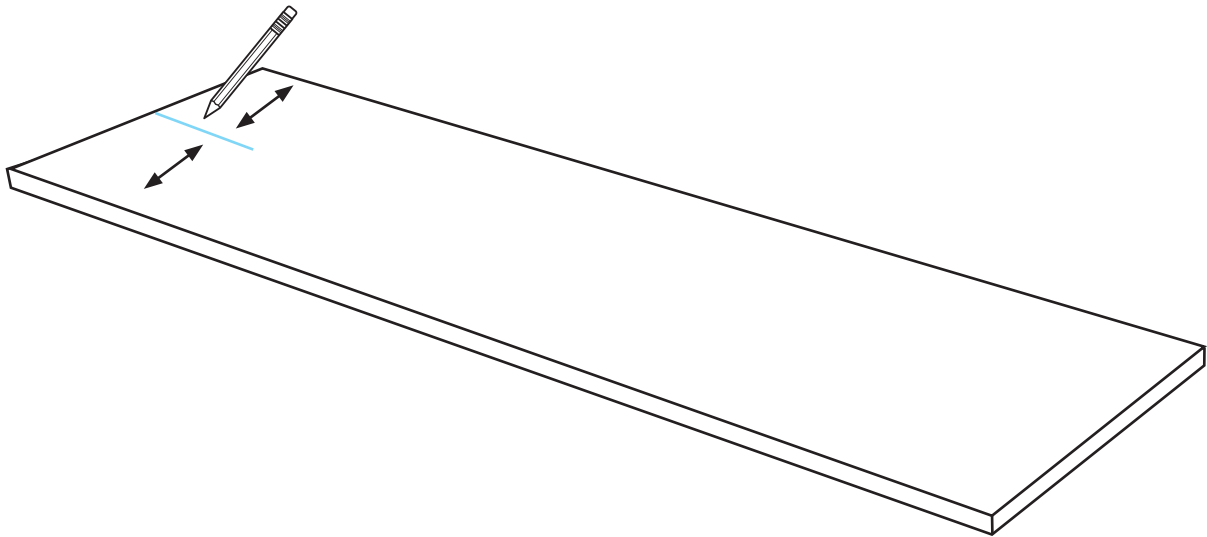
PLACE PANEL FACE-DOWN.



PLACE ON A FLAT, COVERED SURFACE.

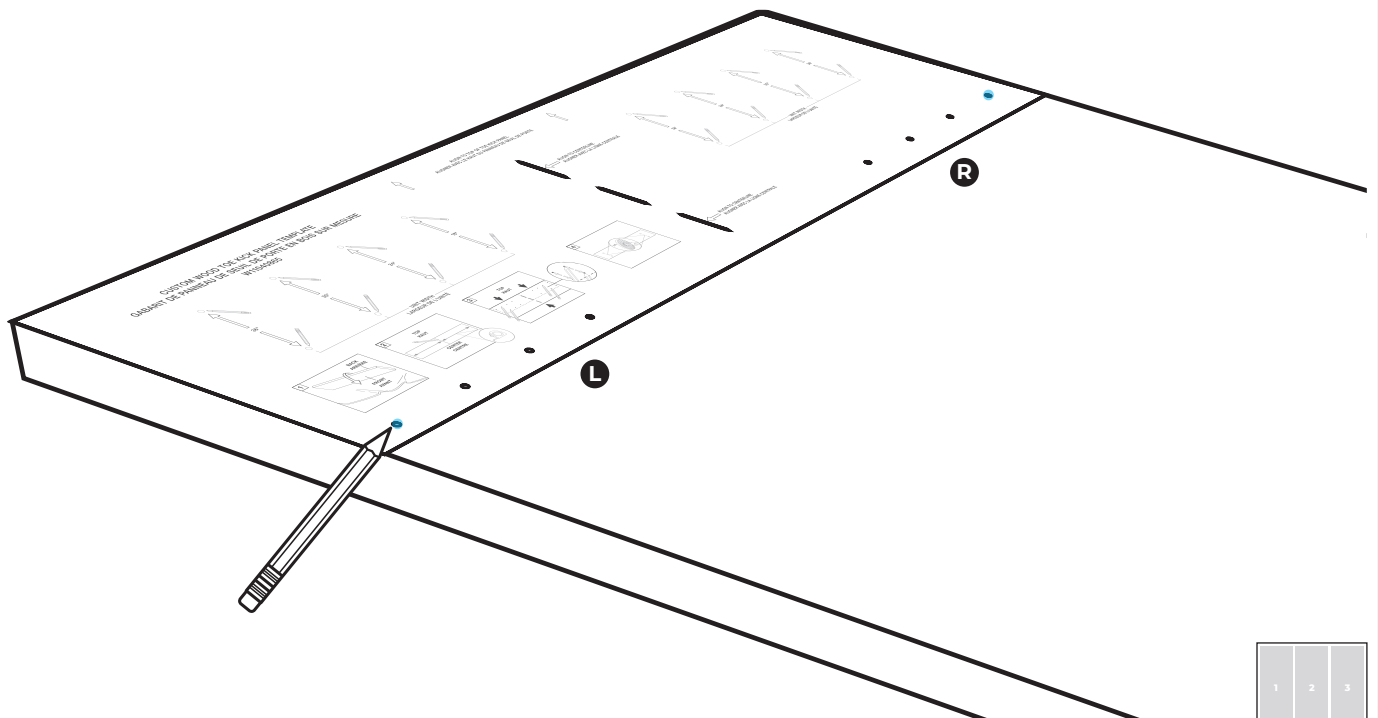
### 13.3

MEASURE AND MARK CENTER OF PANEL.



### 13.4

MARK LEFT AND RIGHT HOLES.

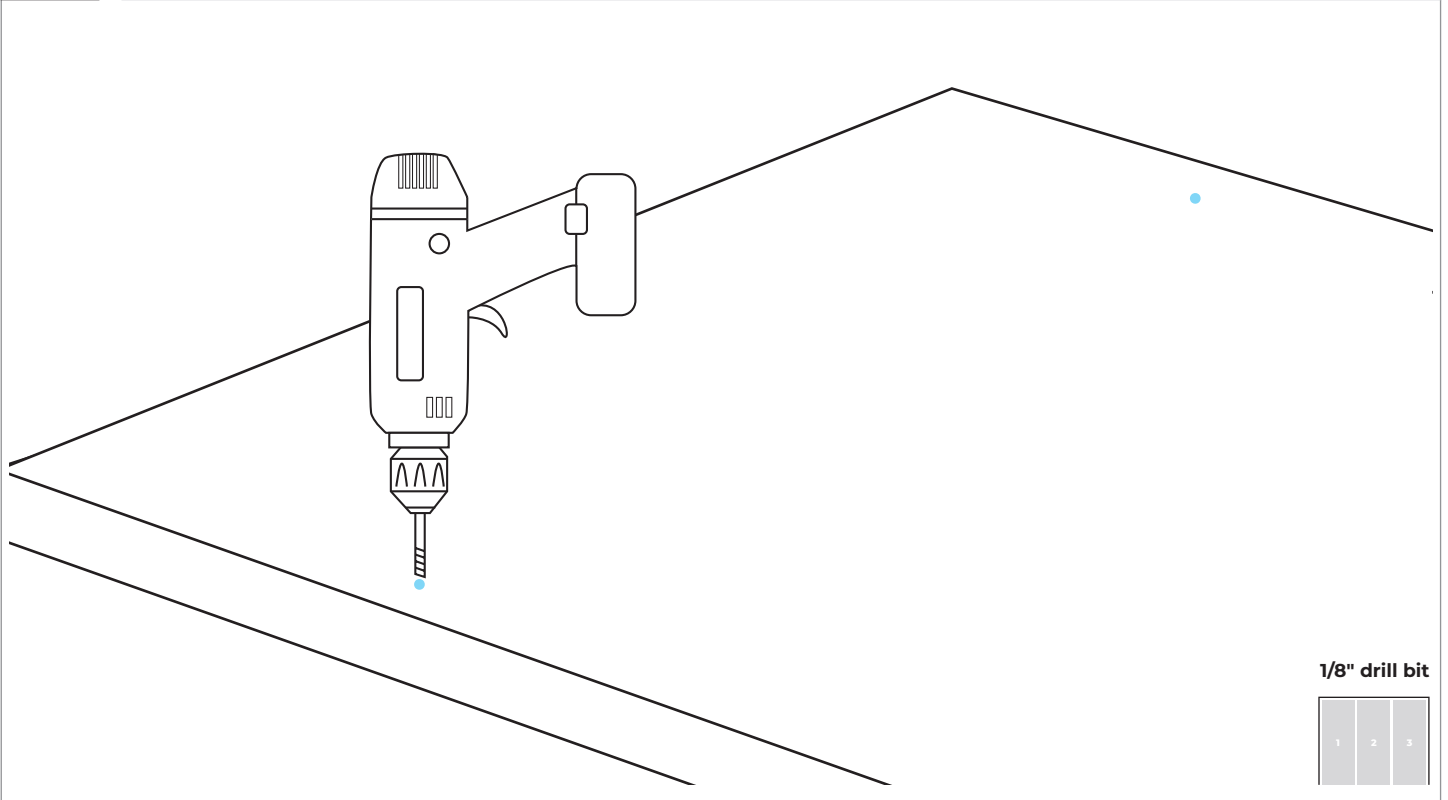


# 13

## PANEL: CUSTOM WOOD PREPARATION

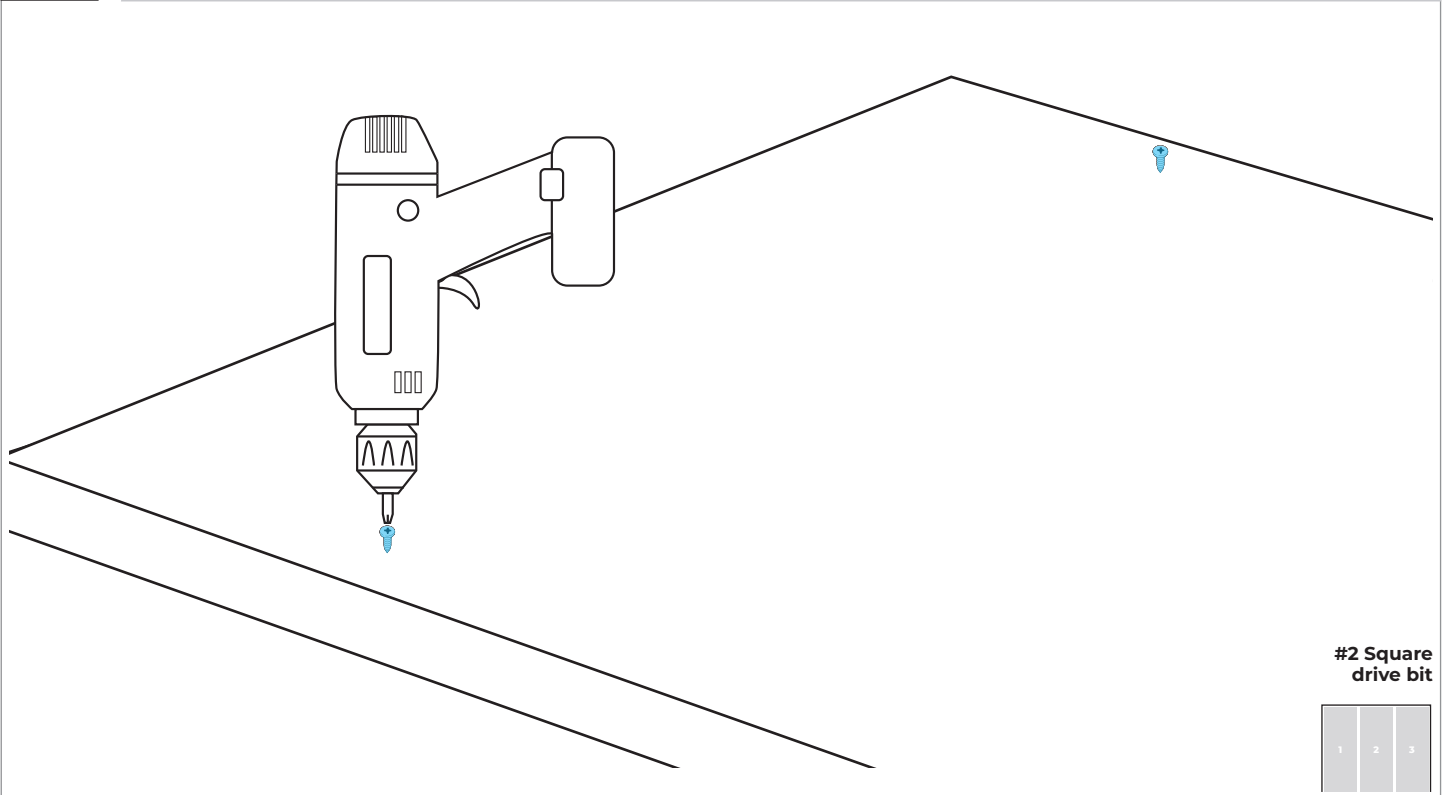
### 13.5

#### DRILL HOLES.



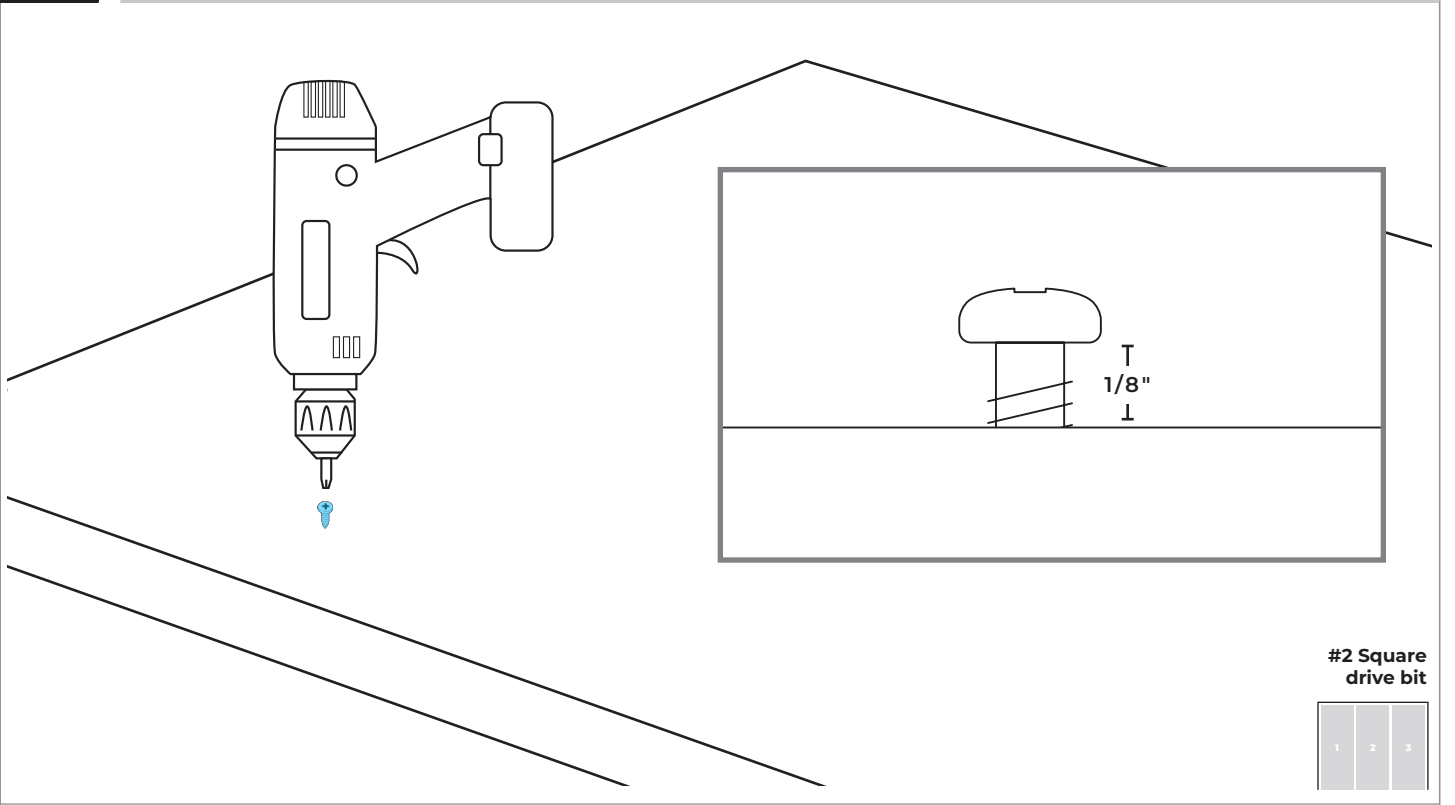
### 13.6

#### DRIVE FASTENERS INTO PRE-DRILLED LOCATIONS.



13.7

ENSURE SPACE OF 1/8" (3.2 MM).



#2 Square  
drive bit

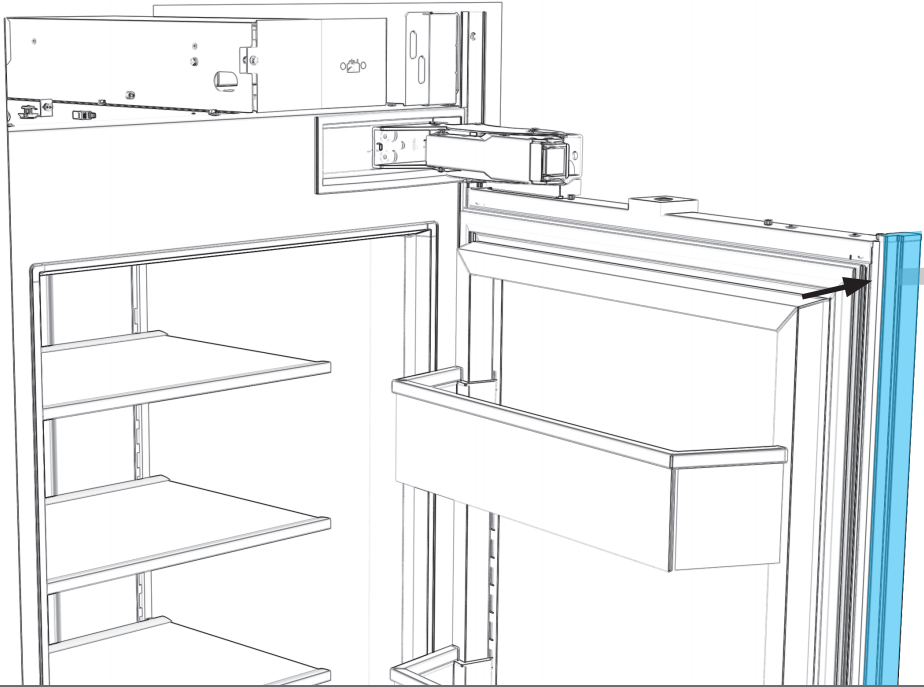


# PANEL.

STAINLESS STEEL PREPARATION

14.1

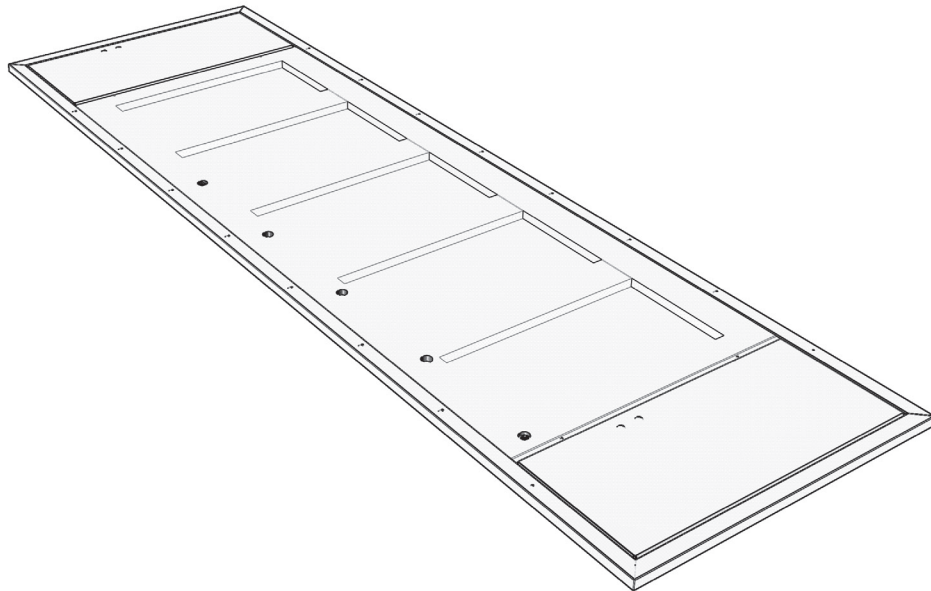
PULL TAPE TO POP OFF BRACKET TRIM.



COMPLETE ALL STEPS FOR EACH UNIT.

14.2

PLACE PANEL FACE-DOWN.



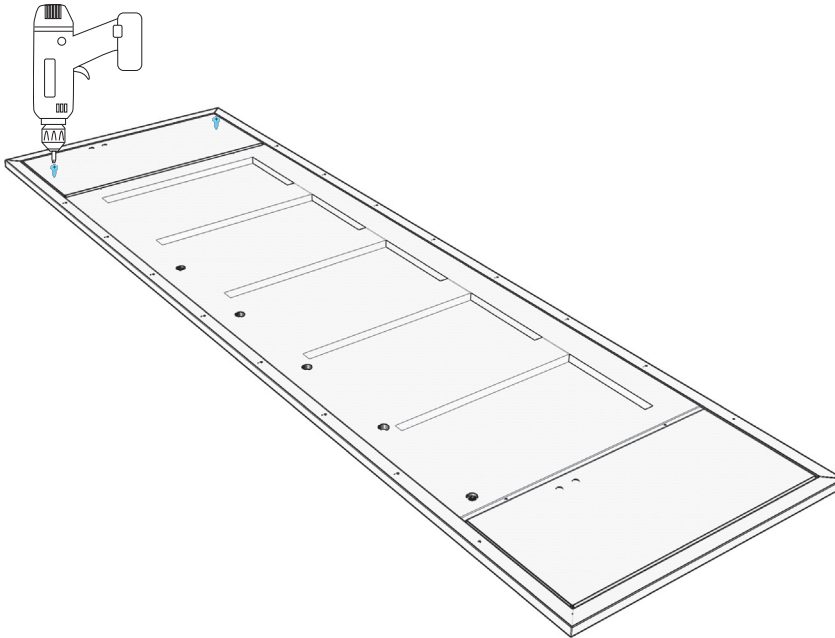
PLACE ON A FLAT, COVERED SURFACE

# 14

## PANEL: STAINLESS STEEL PREPARATION

### 14.3

DRIVE FASTENERS INTO PRE-DRILLED LOCATIONS.

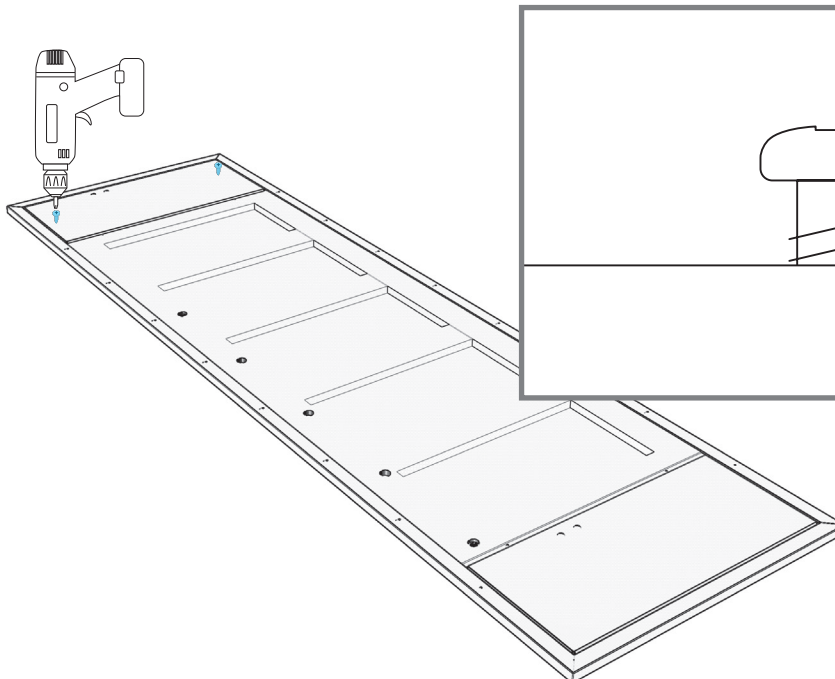


#2 Square drive bit



### 14.4

ENSURE SPACE OF 1/8" (3.2 MM).



#2 Square drive bit





# PANEI.

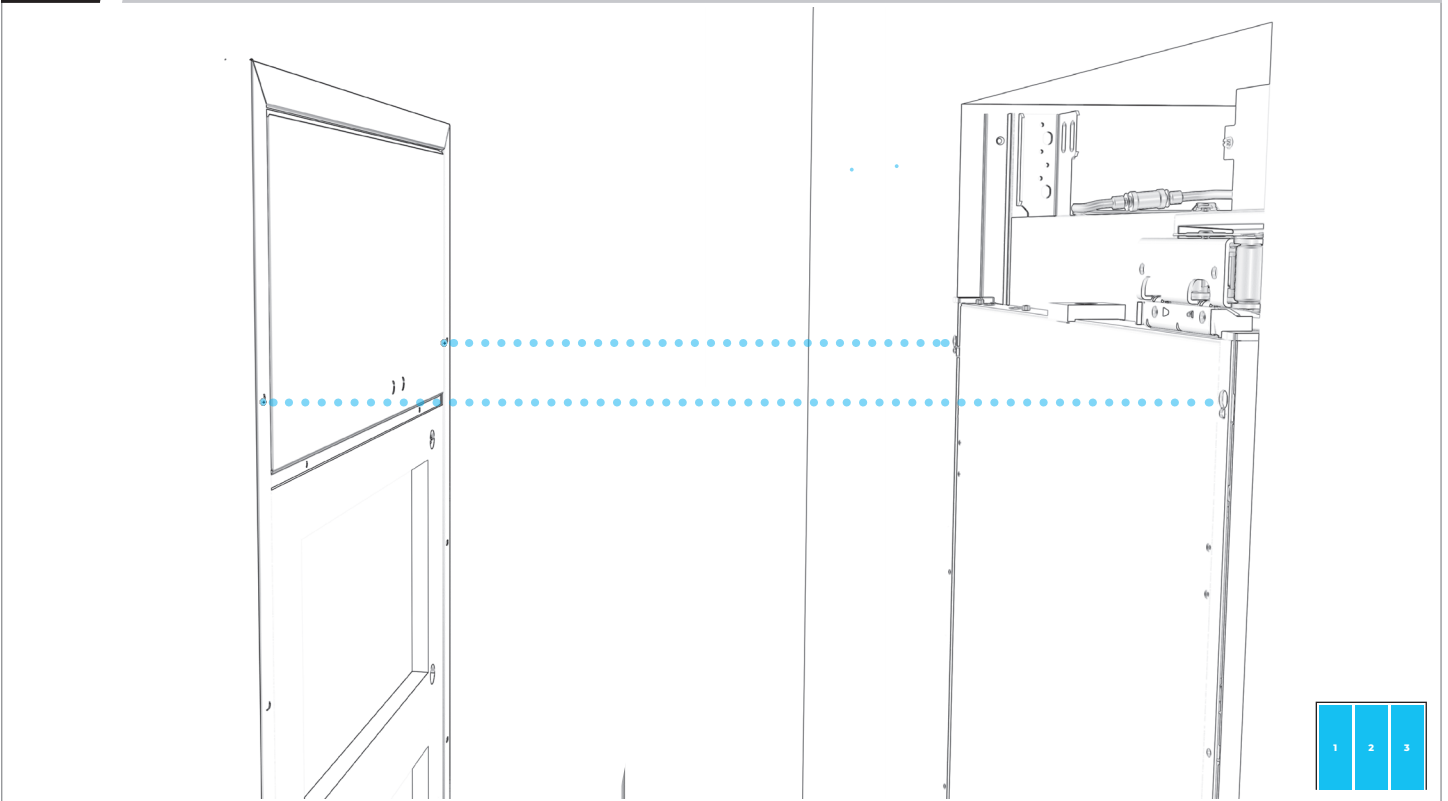
HANG AND ALIGN

# 15

## PANEL: HANG AND ALIGN

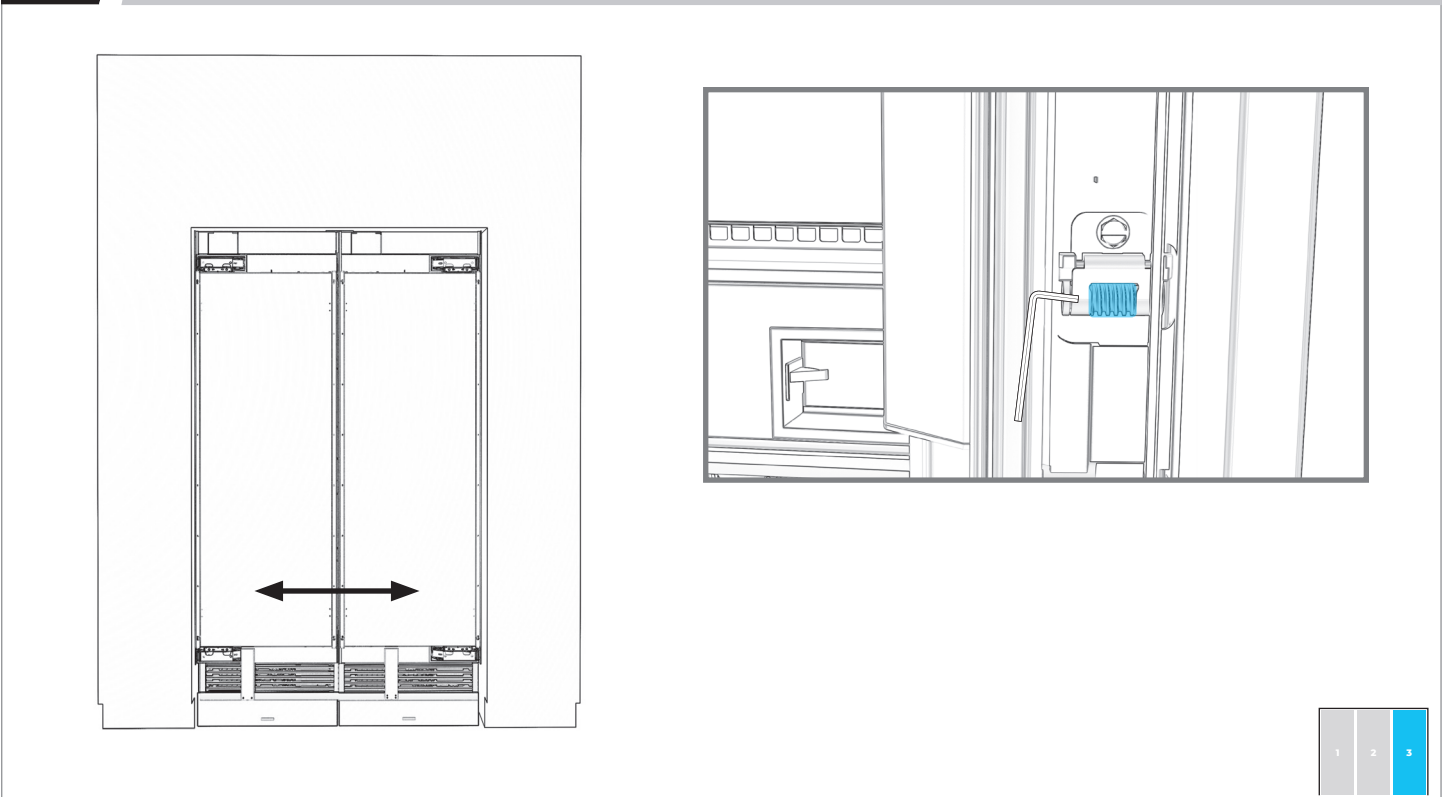
### 15.1

EACH COLUMN: INSERT FASTENERS INTO TOP SLOTS OF DOOR ADJUSTMENT TRIMS.



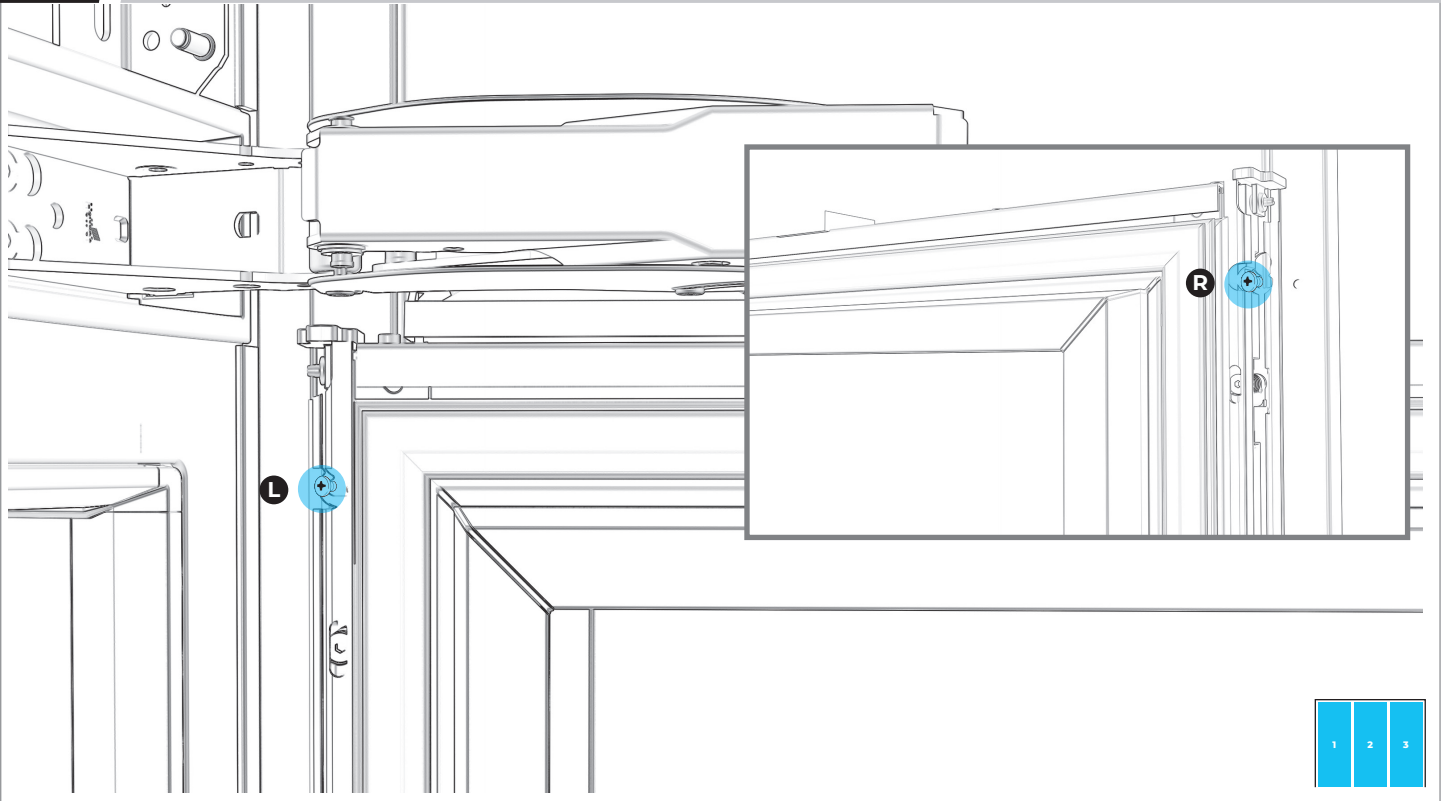
### 15.2

EACH COLUMN: MANUALLY ADJUST POSITION OF DOOR PANEL.



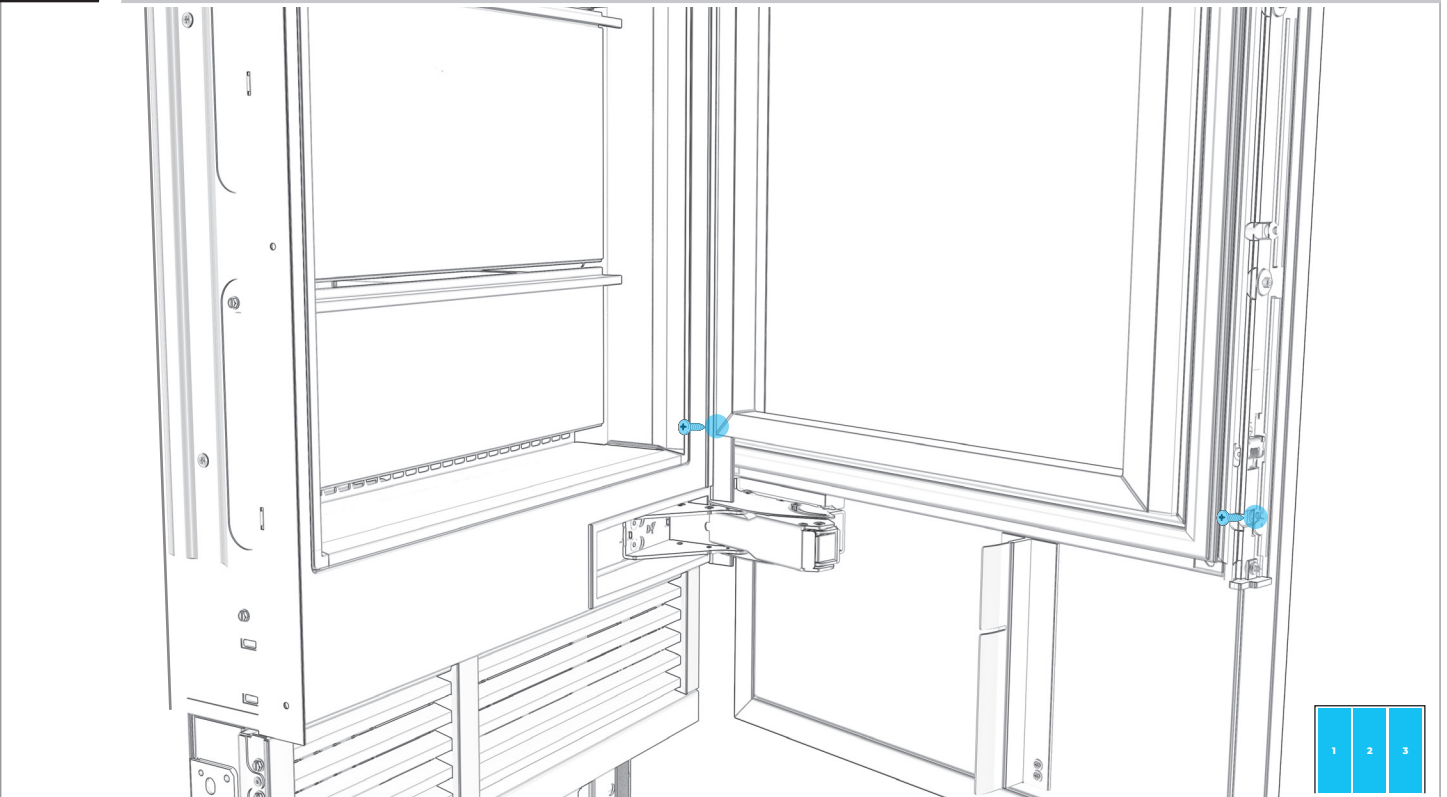
## 15.3

EACH COLUMN: TIGHTEN TOP TWO FASTENERS.



## 15.4

EACH COLUMN: LOOSELY DRIVE IN TWO BOTTOM FASTENERS.

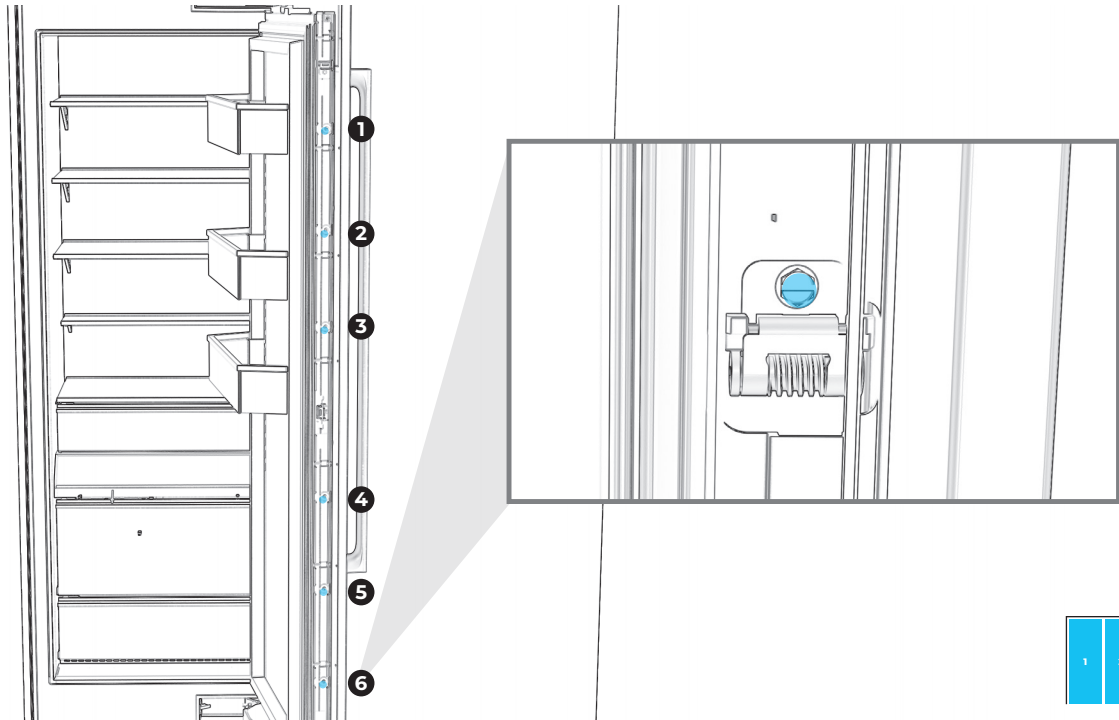


# 15

PANEL:  
HANG AND ALIGN

## 15.5

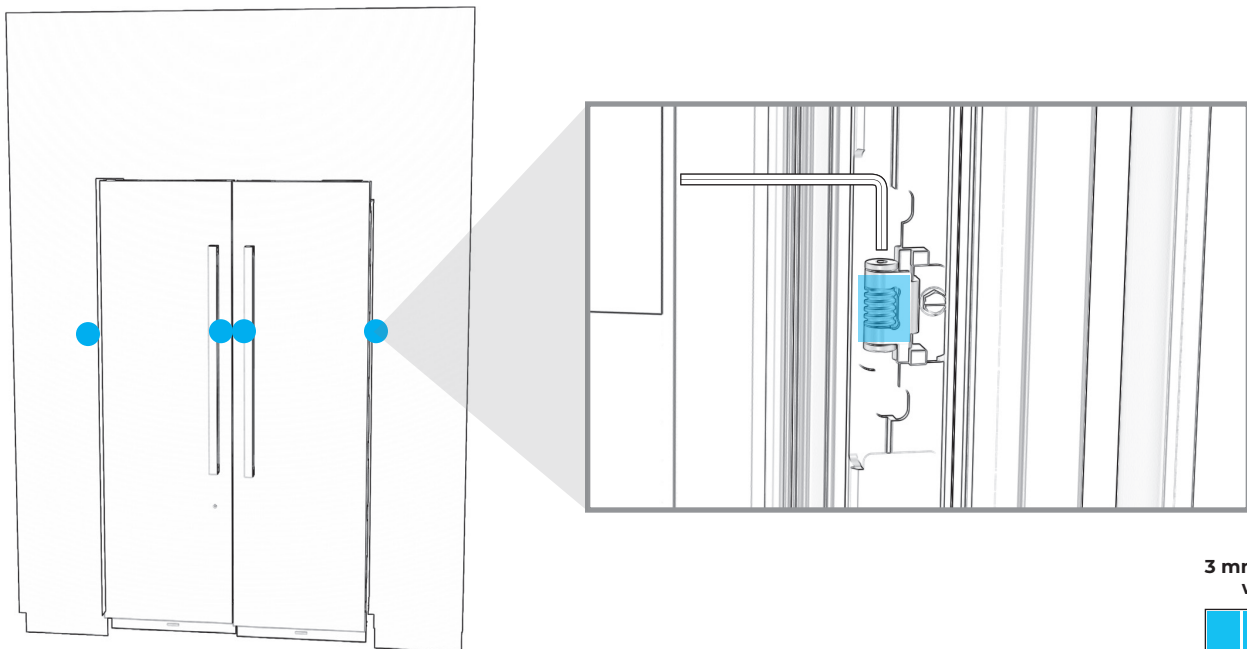
EACH COLUMN: LOOSEN THE SIX ADJUSTMENT SCREWS PER SIDE.



USE RIGHT-ANGLE ADAPTER FOR GREATER EASE.

## 15.6

EACH COLUMN: ADJUST DOOR PANEL HEIGHT UP AND DOWN.

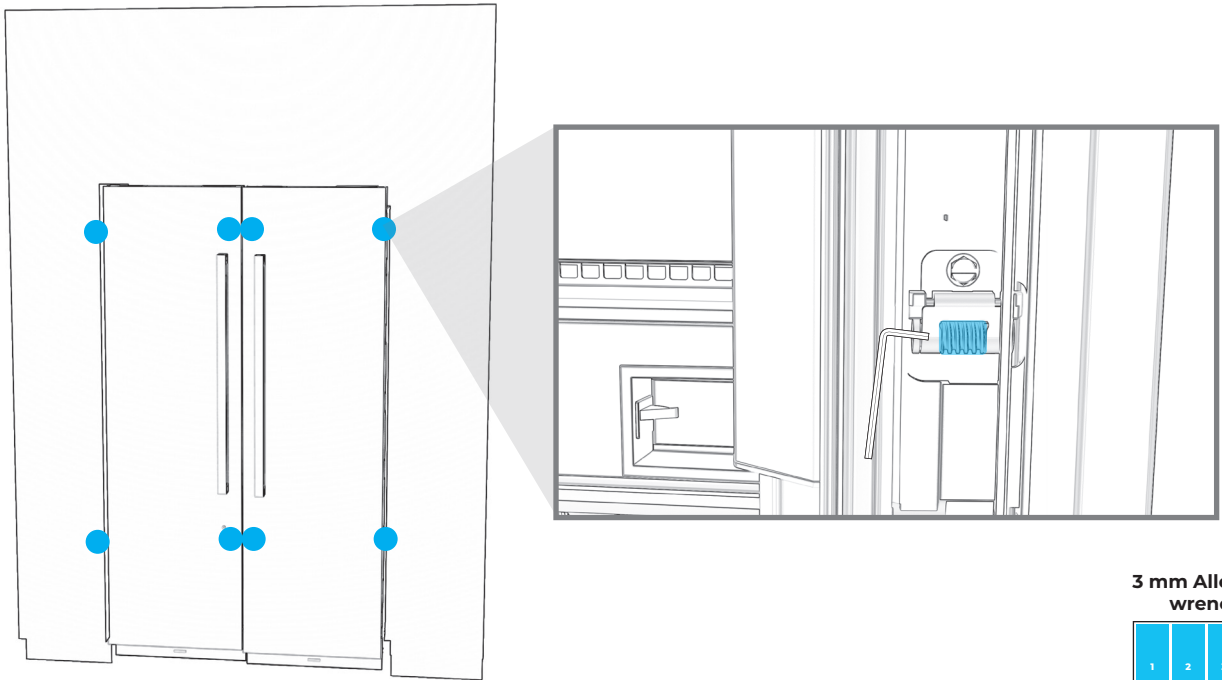


3 mm Allen  
wrench

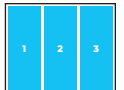


## 15.7

EACH COLUMN: ADJUST DEPTH OF DOOR PANEL.

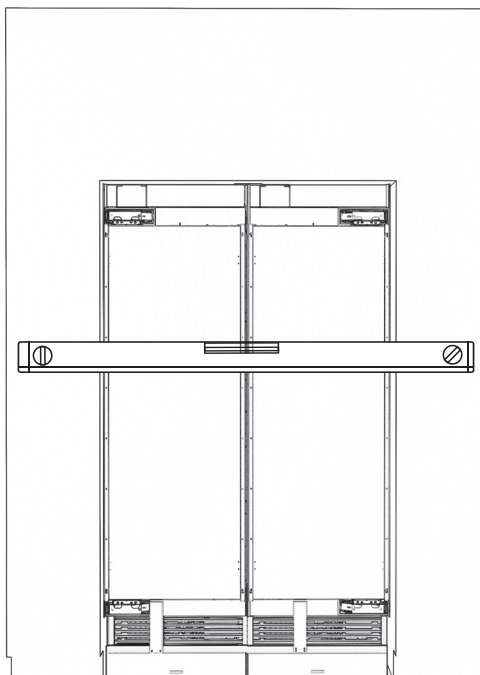


3 mm Allen  
wrench



## 15.8

EACH COLUMN: CHECK THAT DOOR PANELS ARE IN PLANE WITH FURNITURE AND EACH OTHER.

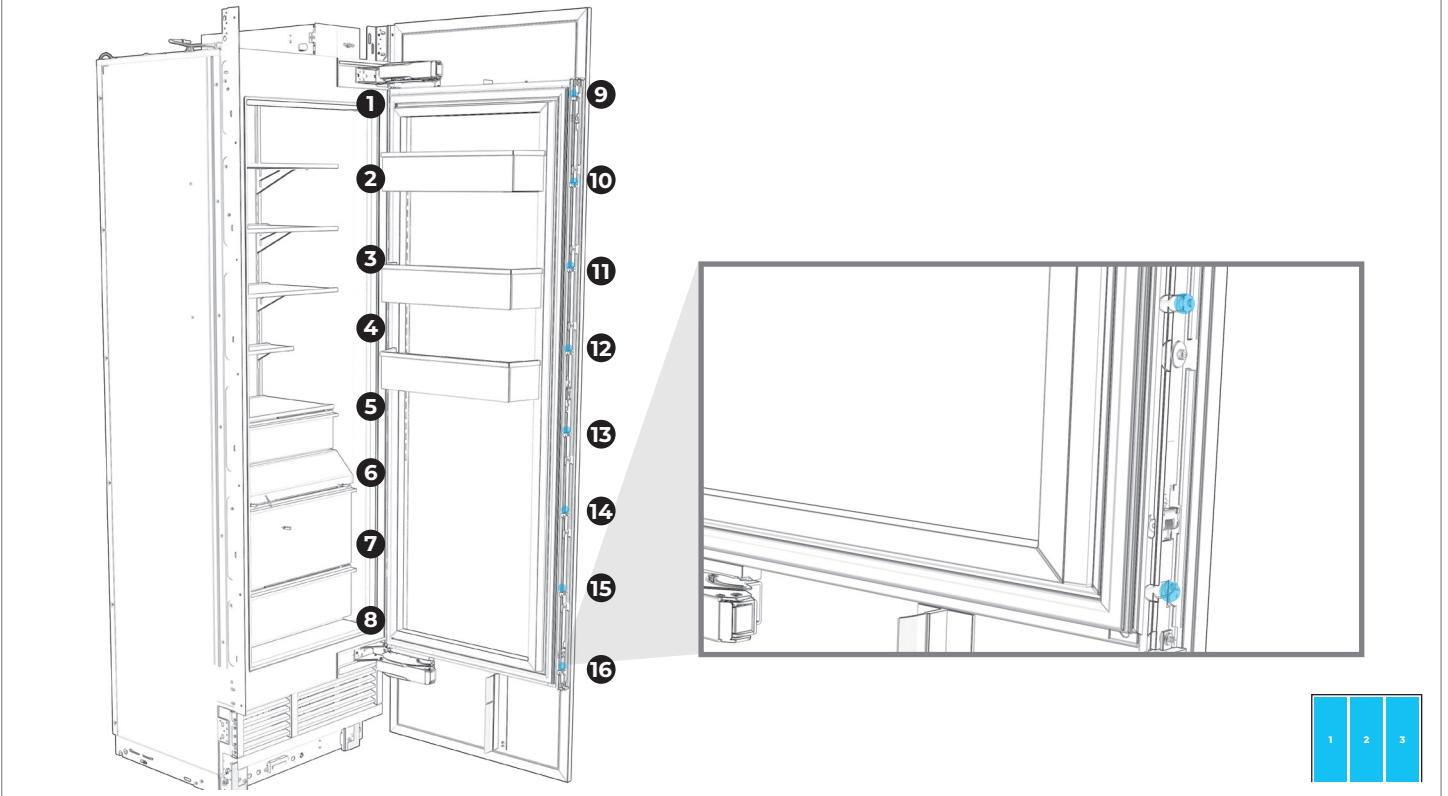


# 15

## PANEL: HANG AND ALIGN

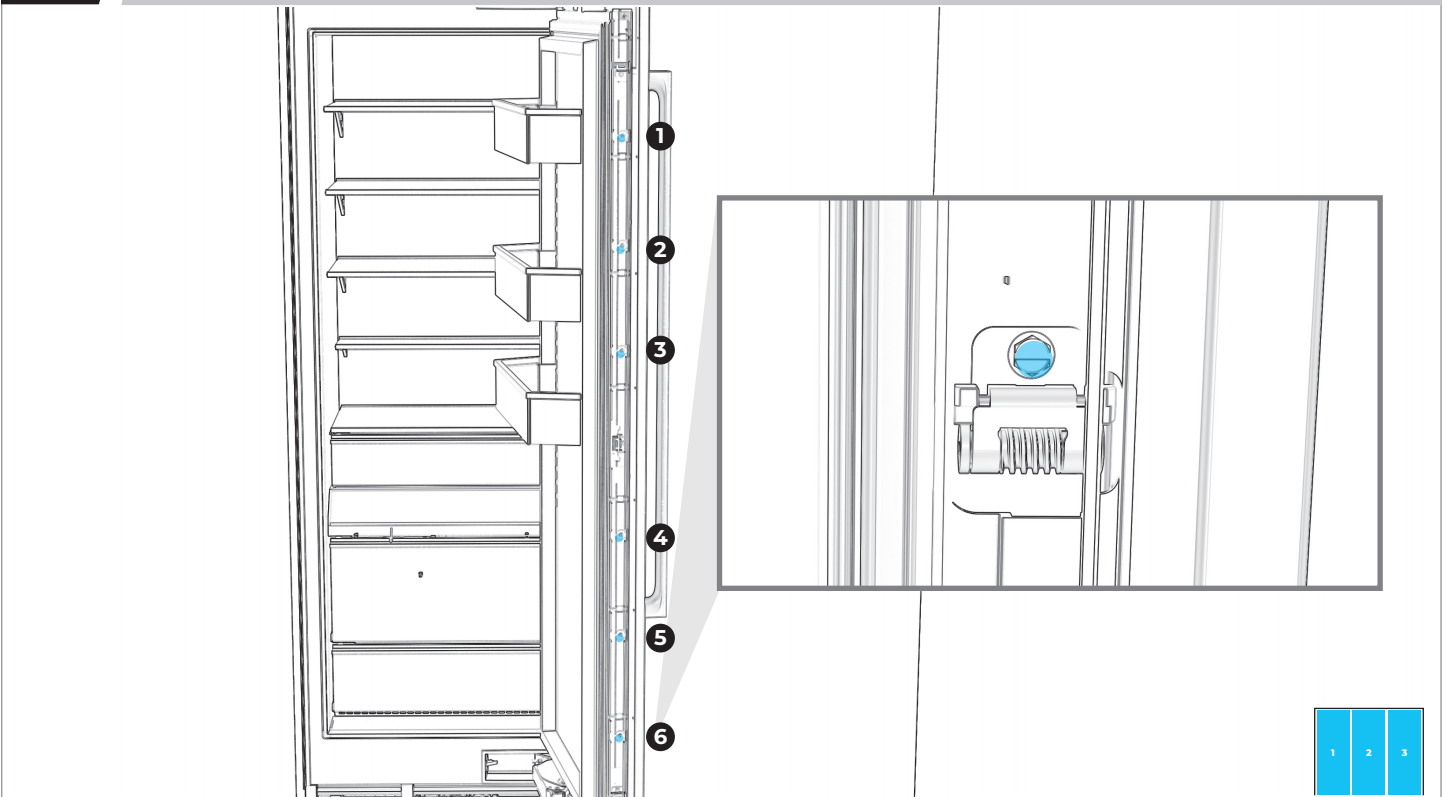
### 15.9

EACH COLUMN: INSERT AND TIGHTEN ALL 16 FASTENERS.



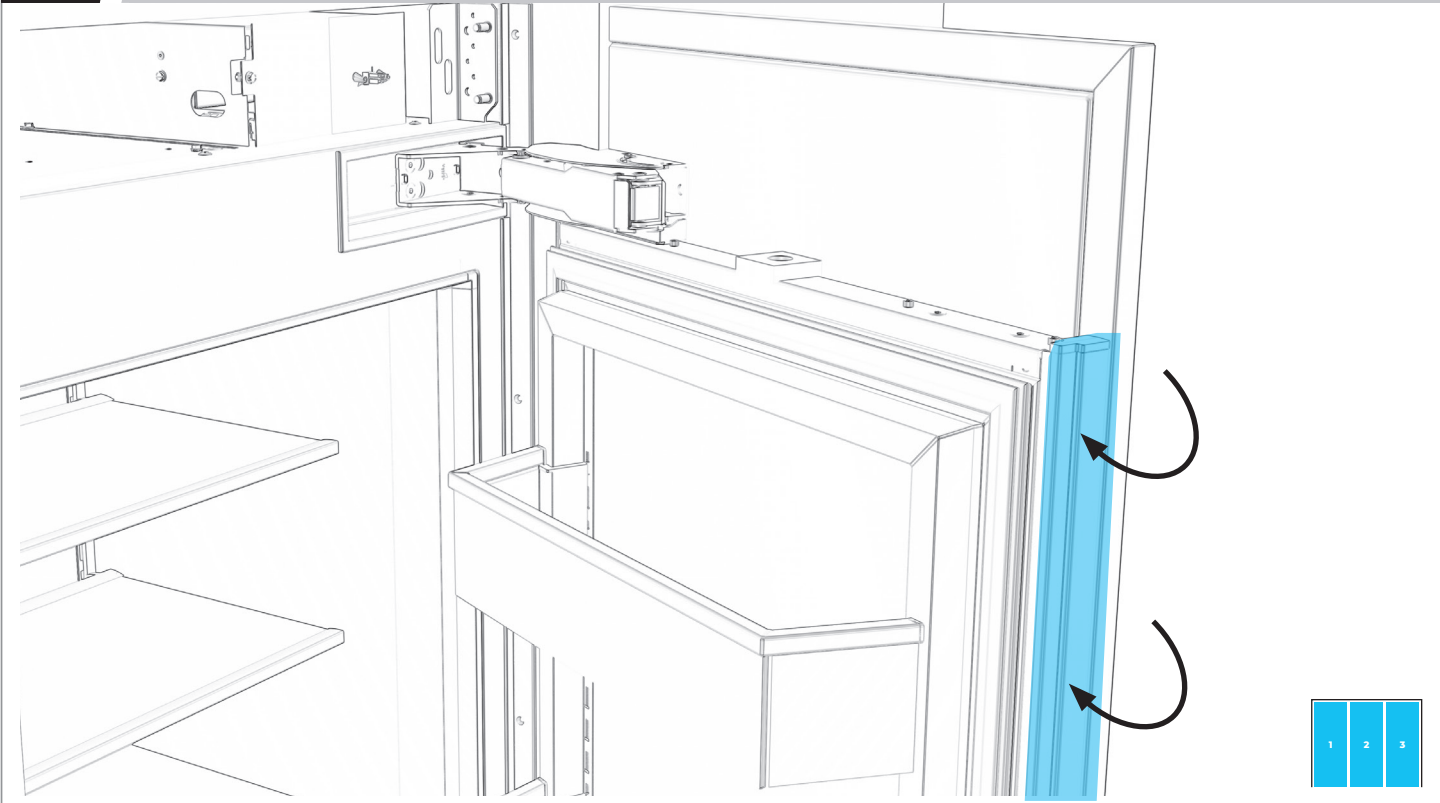
### 15.10

EACH COLUMN: TIGHTLY SECURE DOOR PANEL.



15.11

EACH COLUMN: REINSTALL BRACKET TRIMS.

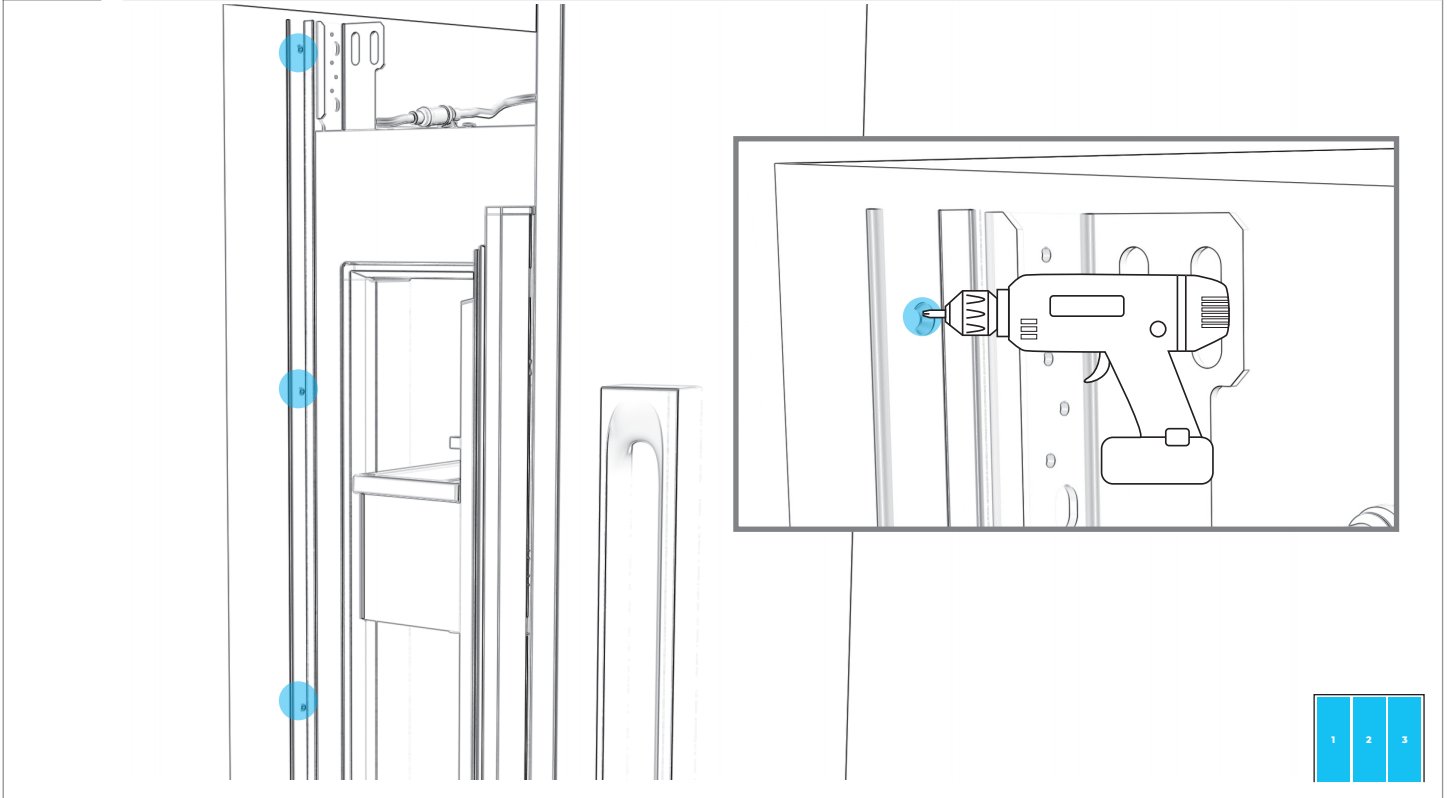


**C O M P L E T E**  
**INSTALLATION**



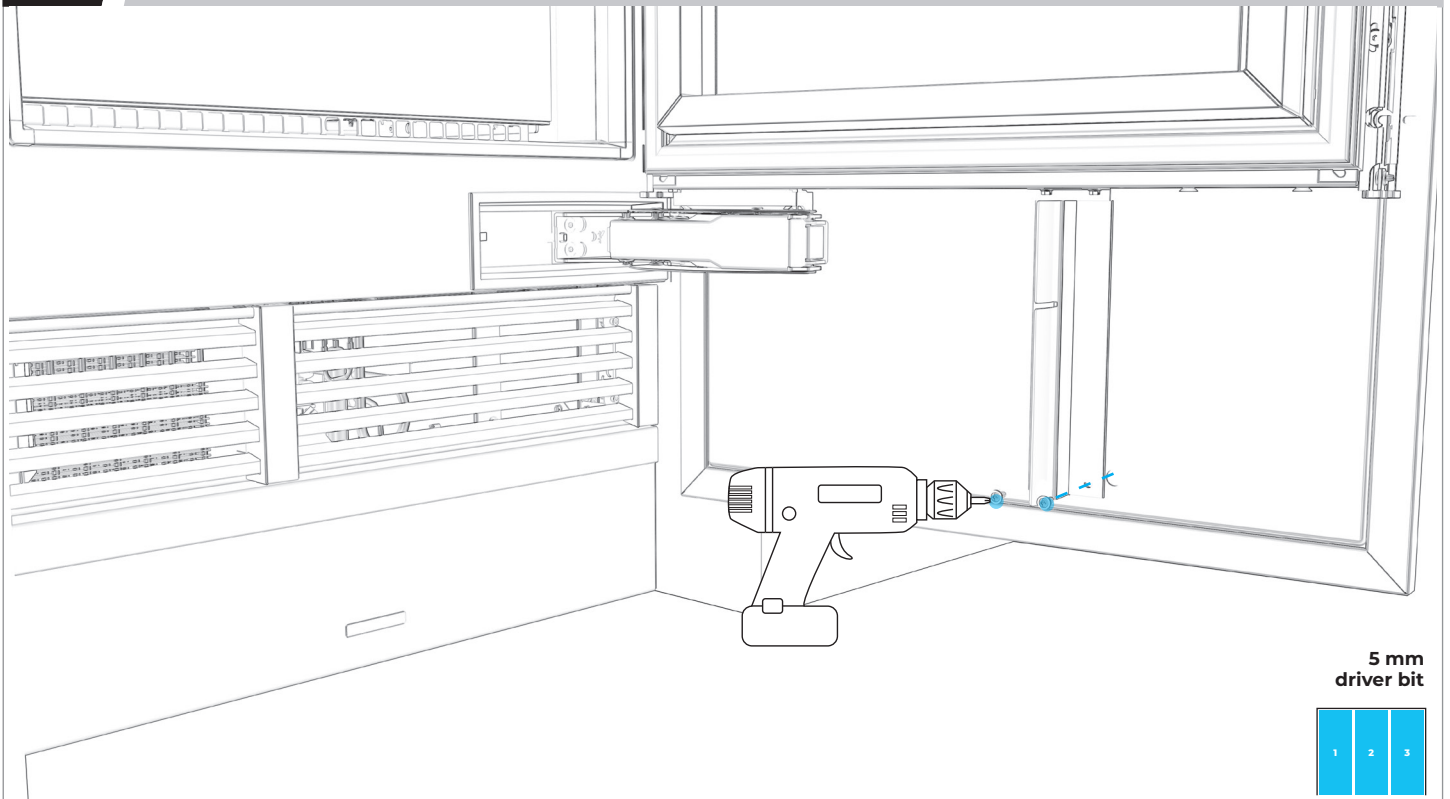
## 16.1

EACH COLUMN: TIGHTEN SCREWS TO DRAW SIDE TRIM TIGHT ON EACH SIDE.



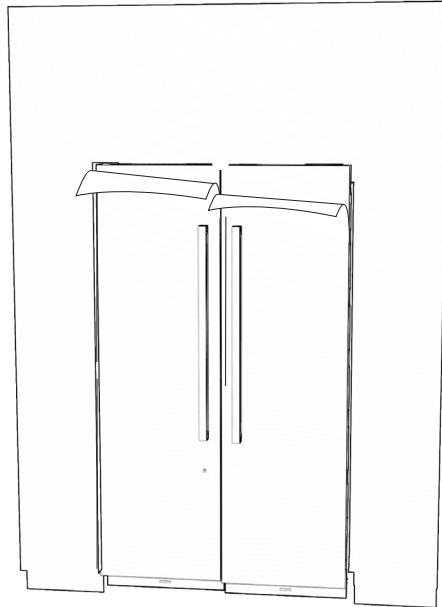
## 16.2

EACH COLUMN: SECURE AIR DIVIDERS TO DOOR PANELS.



## 16.3

EACH COLUMN: REMOVE FILM.



BEFORE FINAL CHECK, READ WARNING.

**⚠ WARNING****Electrical Shock Hazard****Plug into a grounded 3 prong outlet.****Do not remove ground prong.****Do not use an adapter.****Do not use an extension cord.****Failure to follow these instructions can result in death, fire, or electrical shock.**

## FINAL CHECK

- All packaging removed from the residence
- Columns plugged in, powered on and operating at peak performance
- Columns leveled
- Panels aligned and rechecked after 20 minutes operation
- Water supplies properly connected with no leaks
- Water filters installed (not applicable with reverse osmosis system)
- Water dispensers and/or ice makers working
- Any problems with installation or parts reported to JennAir Epicenter

## OWNER WALKTHROUGH

If the owner is present, provide them with the User Guide. Guide the owner through:

- Control panel functions
- App and WiFi setup
- Discarding first few batches of ice
- Replacing the water filters
- Registering their columns
- How to contact JennAir Epicenter through [jennair.com](http://jennair.com) or at 1-800-JENNAIR (536-6247)

## Votre sécurité et celle des autres est très importante.

Nous donnons de nombreux messages de sécurité importants dans ce manuel et sur votre appareil ménager. Assurez-vous de toujours lire tous les messages de sécurité et de vous y conformer.



Voici le symbole d'alerte de sécurité.

Ce symbole d'alerte de sécurité vous signale les dangers potentiels de décès et de blessures graves à vous et à d'autres.

Tous les messages de sécurité suivront le symbole d'alerte de sécurité et le mot "DANGER" ou "AVERTISSEMENT". Ces mots signifient :

**⚠ DANGER**

**Risque possible de décès ou de blessure grave si vous ne suivez pas immédiatement les instructions.**

**⚠ AVERTISSEMENT**

**Risque possible de décès ou de blessure grave si vous ne suivez pas les instructions.**

Tous les messages de sécurité vous diront quel est le danger potentiel et vous disent comment réduire le risque de blessure et ce qui peut se produire en cas de non-respect des instructions.

## IMPORTANTES INSTRUCTIONS DE SÉCURITÉ

**AVERTISSEMENT :** Pour réduire le risque d'incendie, de choc électrique ou de blessure dans le cadre de l'utilisation du réfrigérateur, suivre les consignes de base suivantes :

- Pour éviter un danger provoqué par l'instabilité de l'appareil, ce dernier doit être fixé selon les instructions.
- Brancher l'appareil sur une prise à 3 alvéoles reliée à la terre.
- Installation ne devrait être effectuée que par le fabricant ou un agent autorisé.
- Ne pas enlever la prise de liaison à la terre.
- Ne pas utiliser d'adaptateur.
- Ne pas utiliser de rallonge.
- Déconnecter la source de courant électrique avant l'entretien.
- Replacer pièces et panneaux avant de faire la mise en marche.
- Enlever les portes de votre ancien réfrigérateur.
- Utiliser un produit de nettoyage ininflammable.
- Ne pas remiser ou utiliser de l'essence ou tout autre liquide ou vapeur inflammable à proximité de cet appareil ou de tout autre appareil électroménager. Les émanations peuvent causer des incendies ou explosions.
- Ne pas entreposer de substances explosives comme des aérosols avec agent propulseur inflammable dans ce réfrigérateur.
- Ne pas utiliser ou placer de dispositif électrique à l'intérieur des compartiments du réfrigérateur si ce dispositif ne correspond pas au type de dispositif expressément autorisé par le fabricant.
- Il faut l'aide d'au moins deux personnes pour déplacer et installer le réfrigérateur.
- Déconnecter la source de courant électrique avant d'installer la machine à glaçons (sur modèles avec ensemble de machine à glaçons prêt-à-installer uniquement).
- L'installation de la canalisation d'eau et de la machine à glaçons doit être effectuée par un technicien de service qualifié. Consulter les instructions d'installation fournies avec la trousse de machine à glaçons IC13B pour tous les détails.
- Raccorder à la canalisation d'arrivée d'eau potable uniquement.
- Utiliser un verre robuste pour prendre des glaçons (sur certains modèles).
- Cet appareil ne convient pas à une utilisation par des personnes (y compris des enfants) à capacités physiques, sensorielles ou mentales réduites, ou possédant un manque d'expérience et de connaissances, à moins qu'elles ne soient placées sous supervision ou qu'elles aient reçu des instructions concernant l'utilisation de l'appareil par une personne responsable de leur sécurité.
- Les enfants doivent être placés sous surveillance afin de s'assurer qu'ils ne jouent pas avec l'appareil.
- Pour éviter que les enfants ne soient coincés et ne suffoquent à l'intérieur du réfrigérateur, ne pas les laisser jouer ou se cacher à l'intérieur de l'appareil.
- Si le cordon d'alimentation est endommagé, il doit être remplacé par le fabricant, son agent de réparation ou toute autre personne qualifiée afin d'éviter tout danger.
- Ce réfrigérateur est destiné à un usage domestique et à d'autres usages similaires tels que :
  - espace de cuisine pour personnel de boutiques, bureaux et autres environnements professionnels;
  - résidences fermières et utilisation par les clients d'hôtels, de motels et d'autres types de résidences;
  - environnements de type chambres d'hôtes;
  - Banquets et autres utilisations non commerciales semblables.

**CONSERVEZ CES INSTRUCTIONS**

## **AVERTISSEMENT**

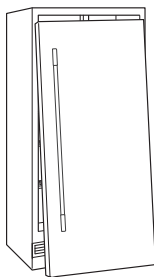
### **Risque de suffoquer**

**Enlever les portes de votre vieux réfrigérateur.**

**Le non-respect de cette instruction peut causer un décès ou des lésions cérébrales.**

### **Renseignements importants à propos de la mise au rebut des fluides réfrigérants :**

Mettre le réfrigérateur au rebut conformément à la réglementation fédérale et locale. Les fluides réfrigérants doivent être évacués par un technicien certifié et agréé par l'EPA conformément aux procédures établies.



**IMPORTANT :** Le risque qu'un enfant puisse se retrouver coincé et suffoquer n'est pas chose du passé. Les réfrigérateurs jetés ou abandonnés restent dangereux, même s'ils ne restent à l'extérieur que pour "quelques jours seulement". Si l'ancien réfrigérateur doit être mis au rebut, suivre les instructions suivantes afin d'éviter les accidents.

Avant de jeter l'ancien réfrigérateur ou congélateur :

- Enlever les portes.
- Laisser les tablettes en place de sorte que les enfants ne puissent pas y pénétrer facilement.

## FACILE. RAPIDE. SÉCURITAIRE.

Grâce au tout premier réfrigérateur intégré en colonne JennAir®, nous avons complètement repensé le processus d'installation pour éliminer les problèmes que rencontre notre concurrence de moins bonne qualité. Certaines des caractéristiques les plus attendues des installateurs professionnels :

- **Panneau à six points ajustables dissimulés**  
Alignement facile et précis
- **Devant en métal**  
Durabilité améliorée
- **Système de cales Rotter et bride Badass à ajuster sur place**  
Guide et maintien l'appareil en place
- **Panneaux en acier inoxydable avec centre en bois franc**  
Faciles à préparer et à suspendre, aucun perçage dans le métal nécessaire
- **Ajustement avant de l'aplomb précis à 4 points**  
Sur des roulettes robustes qui supportent facilement tout le poids
- **Zone pour appareil de plus grande taille**  
Réduit les modifications nécessaires pour remplacer un appareil encastré ou l'appareil de la concurrence

### Et grâce à votre aide, nous ne pourrions que nous améliorer.

Communiquer avec JennAir Epicenter à partir du [jennair.com](http://jennair.com) ou composer le 1 800 JENNAIR (536-6247) pour partager vos trucs et conseils d'installation ou parler avec un expert de l'installation que connaît le processus par cœur.

## POURQUOI AIMONS-NOUS LES INSTALLATEURS JENNAIR?

### CE SONT DE VRAIS PROFESSIONNELS (ET PERFECTIONNISTES).

Ils sont en mesure d'effectuer une installation parfaite, ajustée au millimètre près. Une installation sans faille est primordiale pour le fonctionnement, l'apparence et permettre de profiter du produit pendant toute sa durée de vie utile. Nos installateurs réalisent cet exploit tous les jours.

### ILS FONT LEUR TRAVAIL, ET NOUS AIDENT À FAIRE LE NÔTRE.

Ces experts connaissent les produits JennAir® comme le fond de leur poche. Ils se forment de façon intensive à l'installation JennAir pour connaître les plus récentes techniques et les conseils des autres installateurs et ainsi installer ces appareils de pointe avec la plus grande facilité. Leurs commentaires sont très importants pour nous puisqu'ils permettent d'améliorer et de perfectionner nos installations.

### ILS PENSENT À TOUS LES DÉTAILS DE L'EXPÉRIENCE.

Un dévouement sans compter est à la base de tout. L'expérience Jennair commence dès l'instant où un installateur apporte l'appareil chez un client. Garder le lieu d'installation propre, prendre un très grand soin des appareils et de la maison, et offrir une introduction inoubliable de l'appareil font tous partie du plan de match.

## TABLE DES MATIÈRES

### INTRODUCTION

<b>116</b>	INSTRUCTIONS SUR LA SÉCURITÉ
<b>120</b>	OUTILS ET PIÈCES
<b>124</b>	CONFIGURATIONS
<b>126</b>	DIMENSIONS DU PRODUIT
<b>128</b>	STYLE DE PORTE
<b>130</b>	DIMENSIONS DE L'OUVERTURE
<b>134</b>	PRÉPARATION DU SITE
<b>137</b>	INSTRUCTIONS IMPORTANTES

### PRÉPARATION

<b>138</b>	SECTION 1 // PRÉPARATION DE L'APPAREIL
<b>145</b>	SECTION 2 // PRÉPARATION DE LA TROUSSE DE JOINT
<b>150</b>	SECTION 3 // PRÉPARATION DE LA BRIDE DE POSITIONNEMENT
<b>153</b>	SECTION 4 // INSTALLATION DE LA BRIDE BADASS
<b>162</b>	SECTION 5 // PRÉPARATION DU MEUBLE

### INSTRUCTIONS

<b>168</b>	SECTION 6 // INSTALLATION DU PREMIER APPAREIL
<b>178</b>	SECTION 7 // INSTALLATION DU DEUXIÈME APPAREIL
<b>186</b>	SECTION 8 // INSTALLATION DU TROISIÈME APPAREIL
<b>194</b>	SECTION 9 // PRÉPARATION DE L'APPAREIL POUR SON UTILISATION

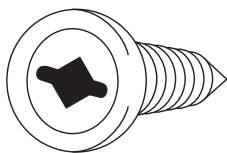
### ACCESSOIRES

<b>200</b>	SECTION 10 // PRÉPARATION DE LA PLINTHE EN BOIS PERSONNALISÉE
<b>203</b>	SECTION 11 // PRÉPARATION DE LA PLINTHE EN ACIER INOXYDABLE
<b>206</b>	SECTION 12 // ALIGNEMENT ET INSTALLATION DE LA PLINTHE
<b>211</b>	SECTION 13 // PRÉPARATION DU PANNEAU EN BOIS PERSONNALISÉ
<b>216</b>	SECTION 14 // PRÉPARATION DU PANNEAU EN ACIER INOXYDABLE
<b>219</b>	SECTION 15 // SUSPENSION ET ALIGNEMENT DU PANNEAU

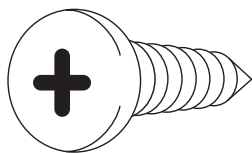
### TERMINER

<b>226</b>	SECTION 16 // TERMINER L'INSTALLATION
<b>229</b>	VÉRIFICATION FINALE

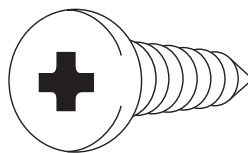
# OUTILS ET PIÈCES INCLUS



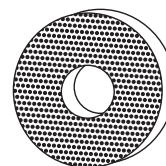
Vis à tête carrée no 2  
(3-24004-079)



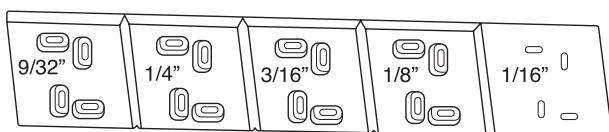
Vis à tête cruciforme  
8-18 x 3/4 po  
(W11041176)



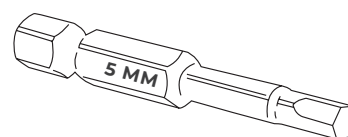
Vis 6-20 x 0,375  
(246131)



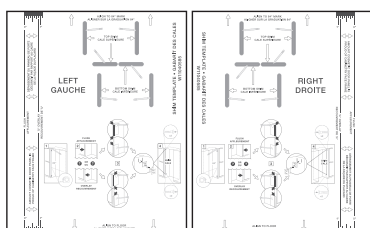
Tampons de maintien  
(W10840464)



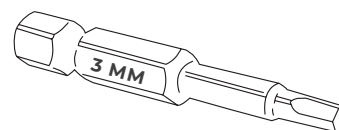
Cinq cales d'installation  
(W10913387)



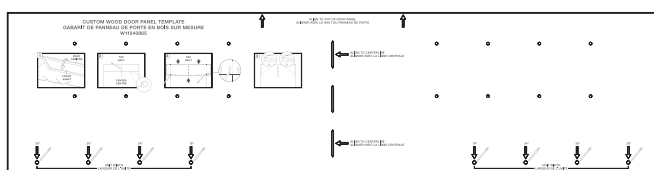
Embout de perceuse de 5 mm  
(W11121505)



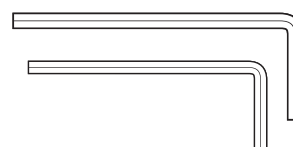
Gabarit d'installation des cales  
(W11040585)



Embout de perceuse de 3 mm  
(W11121512)



Gabarit d'installation de plinthe et de panneau de porte  
(W11040865)



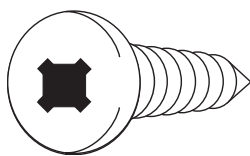
Clé hexagonale de 3 mm  
Clé hexagonale de 5 mm



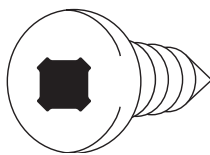
LIRE ET OBSERVER LES INSTRUCTIONS D'INSTALLATION FOURNIES  
AVEC CHACUN DES OUTILS MENTIONNÉS DANS LA LISTE.



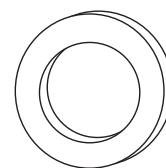
# OUTILS ET PIÈCES DE LA TROUSSE DE JOINT INCLUS



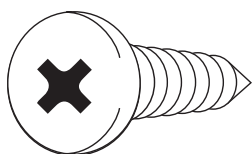
Vis 10-13 x 2,0 chrome



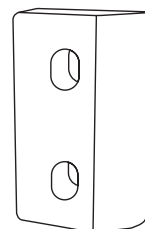
Vis 10-13 x PN chrome  
(W11117666)



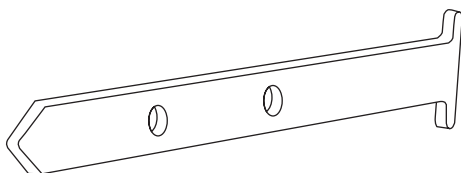
17 rondelles plates  
(8534057)



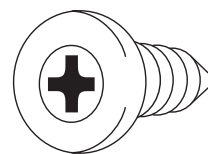
Vis 8-18 x MFI 6L HL SS noir  
(W11117377)



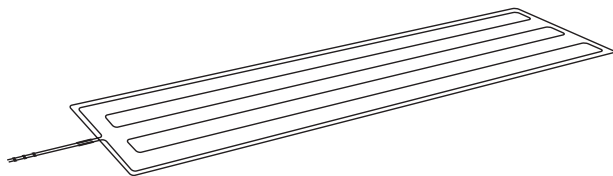
Espaceur de la trousse de joint  
(W1111782)



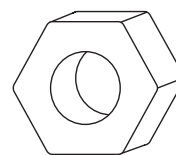
Support de bride de positionnement  
(W11111772)



(14) vis 8-15 x "L" métrique chrome  
(8281252)



Tapis chauffant à pellicule autocollante  
(W10912090)



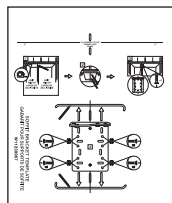
(8) écrous hexagonaux M6-1 x 6 10 mm métriques  
(W10854505)



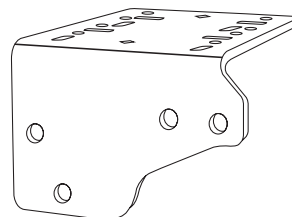
LIRE ET OBSERVER LES INSTRUCTIONS D'INSTALLATION FOURNIES  
AVEC CHACUN DES OUTILS MENTIONNÉS DANS LA LISTE.

# PIÈCES SUPPLÉMENTAIRES DE LA TROUSSE DE JOINT

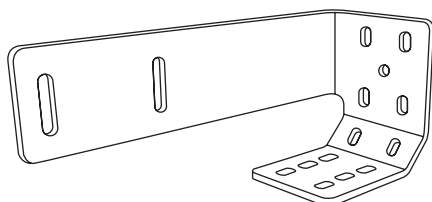
INCLUS



Gabarit d'installation de support pour soffite  
(W11040584)



Bride de soffite **Badass**  
(W11111754)



Bride de positionnement  
(W11111771)

## GARNITURES DE LA TROUSSE DE JOINT

### Trousse de joint poignée à poignée (W11103739)

Garniture (poignée) gauche  
(W11103734)

Garniture (poignée) droite  
(W11103737)

### Trousse de joint poignée à charnière (W11103738)

Garniture (poignée) gauche  
(W11103734)

Garniture (charnière) droite  
(W11103736)

### Trousse de joint charnière à poignée (W1110340)

Garniture (poignée) gauche  
(W11103737)

Garniture (charnière) droite  
(W11103735)



LIRE ET OBSERVER LES INSTRUCTIONS D'INSTALLATION FOURNIES AVEC CHACUN DES OUTILS MENTIONNÉS DANS LA LISTE.

# OUTILS ET PIÈCES

## NON FOURNIS

### OUTILS

- Perceuse sans fil et embouts de perceuse ou perceuse à percussion
- Trousse d'embouts de perceuse incluant des embouts de 3/32 po et 1/8 po
- Deux clés à molette
- Embout cruciforme no 2
- Tourne-écrou magnétique de 1/4 po
- Embout de perceuse carré no 2
- Niveau ou règle de précision d'au moins 48 po (peut remplacer une pièce de garniture d'usine une fois enlevée.)
- Clés plates de 3/8 po et 1/2 po
- Ruban à mesurer
- Couteau utilitaire
- Ruban adhésif de masquage
- Chariot pour appareil ménager
- Adaptateur de perceuse à angle droit
- Rallonge pour perceuse de 6 po
- Vis à bois à tête cylindrique no 8 de différentes longueurs dont : 1 po, 1 1/4 po et 1 1/2 po

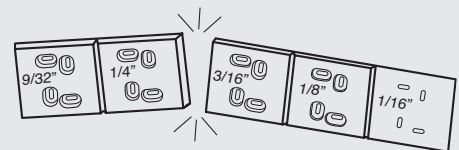
### PIÈCES

- Tuyau d'alimentation en eau flexible approuvé par les codes en vigueur
- Panneaux de porte décoratifs personnalisés
  - Panneaux en acier inoxydable : à commander de JennAir
  - Panneaux de bois personnalisés : demander à un fabricant de meubles ou menuisier qualifié
- Des attaches supplémentaires seront requises en fonction de la fabrication des meubles

### POURQUOI UTILISER LE SYSTÈME DE CALES ROTTER ET LA BRIDE BADASS?

Cette procédure recommandée pourra sembler étrange pour un installateur, mais elle ajoute beaucoup de valeur au client et à vous. Utiliser le système Rotter pour :

- Aider à positionner l'appareil sans rayer aucune surface
- Créer un espace précis de 1/8 po de chaque côté
- Toujours avoir des cales prêtes et personnalisées pour chaque site
- Garder l'appareil stable dans l'ouverture pendant toute sa durée de vie
- Éliminer les problèmes de mauvais alignement chez le client



# CONFIGURATIONS

## 2 APPAREILS

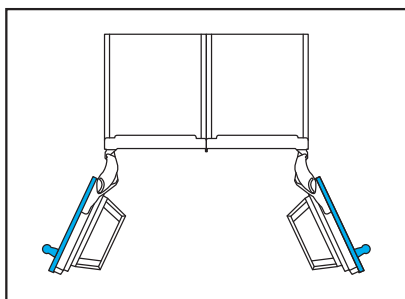
### ⚠ MISE EN GARDE

#### Risque de pincement

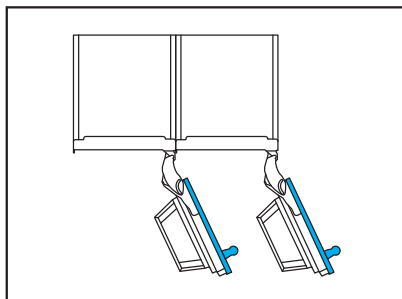
L'installation de panneaux de porte avec un espacement de moins de 3/8 po (0,95 cm) entre le panneau de porte et l'armoire adjacente augmente le risque de pincement.

### CONFIGURATIONS À 2 APPAREILS PERMISES

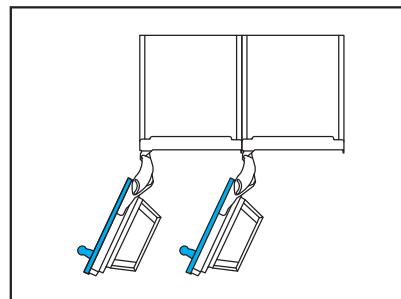
Trousse de joint  
poignée à poignée  
(W11103739)



Trousse de joint  
charnière à poignée  
(W11103740)

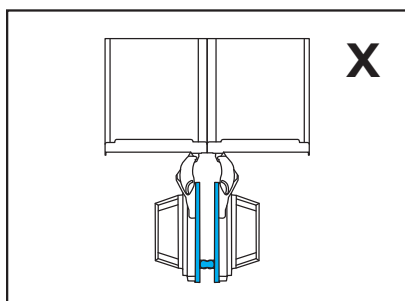


Trousse de joint  
poignée à charnière  
(W11103738)



### CONFIGURATIONS À 2 APPAREILS NON PERMISES

Charnière à charnière

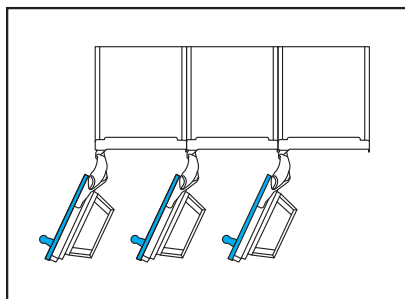


# CONFIGURATIONS

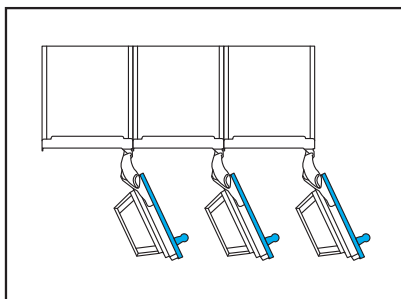
## 3 APPAREILS

### CONFIGURATIONS À 3 APPAREILS PERMISES

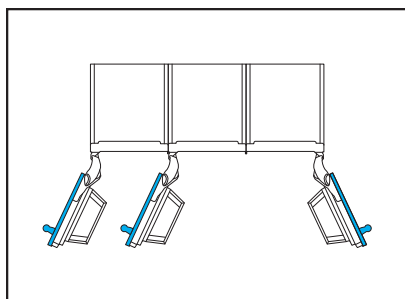
Trousses de joint  
poignée à charnière et  
poignée à charnière :  
W11103738 (X2)



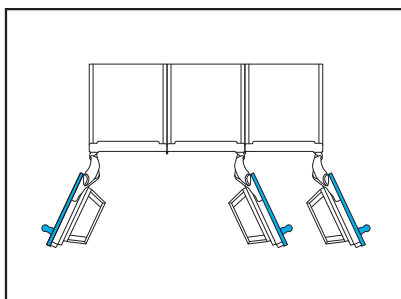
Trousses de joint  
charnière à poignée et  
charnière à poignée :  
W11103740 (x2)



Trousses de joint  
poignée à charnière et  
poignée à poignée :  
W11103738 et W11103739

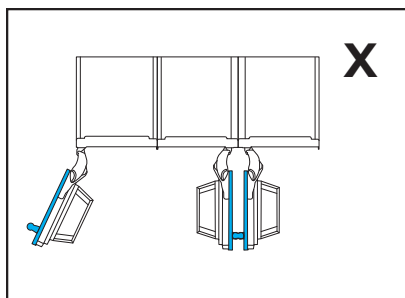


Trousses de joint  
poignée à poignée et  
charnière à poignée :  
W11103739 et W11103740

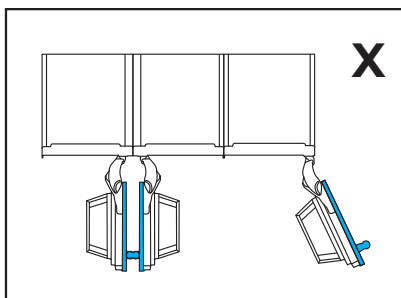


### CONFIGURATIONS À 3 APPAREILS NON PERMISES

Charnière à charnière



Charnière à charnière



# DIMENSIONS

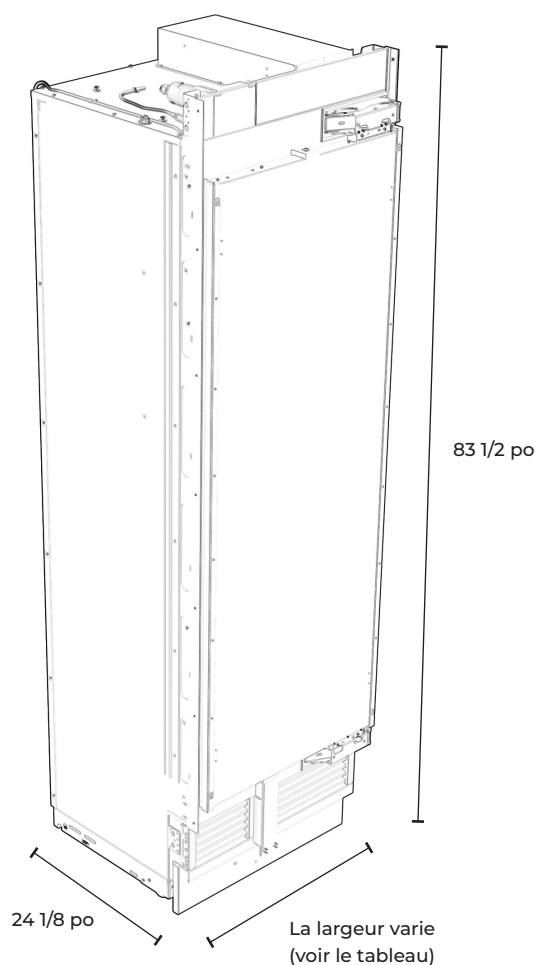
## PRODUIT

### DIMENSIONS COMPLÈTES (SANS PANNEAU)

<b>Largeur</b>	Voir le tableau de largeur de l'appareil suivant
<b>Hauteur</b>	79 7/8 po à 85 5/16 po (202,9 cm à 215,9 cm)
<b>Profondeur</b>	24 1/8 po (61,3 cm)
<b>Hauteur de porte brute</b>	79 7/8 po (202,9 cm)
<b>Hauteur de la plinthe</b>	3 9/16 po (9,1 cm)
<b>Profondeur de la plinthe</b>	3 1/4 po à 4 7/8 po (8,3 cm à 12,4 cm)

### LARGEUR DU PRODUIT

Modèle	Largeur
18 po JBZFR18IGX JBZFL18IGX	17 3/4 po (45,1 cm)
24 po JBRFR24IGX JBRFL24IGX JBZFR24IGX JBZFL24IGX	23 3/4 po (60,3 cm)
30 po JBRFR30IGX JBRFL30IGX JBZFR30IGX JBZFL30IGX	29 3/4 po (75,6 cm)
36 po JBRFR36IGX JBRFL36IGX	35 3/4 po (90,8 cm)



# DIMENSIONS

## ACCESSOIRES

### PANNEAU EN ACIER INOXYDABLE

Hauteur	80 po (203,2 cm)
Épaisseur	13/16 po (2,1 cm)

### PANNEAU PERSONNALISÉ

Épaisseur	3/4 po (1,9 cm) max.
Poids	60 lb (27,2 kg) max.
Hauteur habituelle	80 po (203,2 cm)

### PLINTHE PERSONNALISÉE

Hauteur	3 9/16 po (9,1 cm)
Épaisseur	3/16 po à 3/4 po (4,8 mm à 1,9 mm)

# STYLE DE PORTE

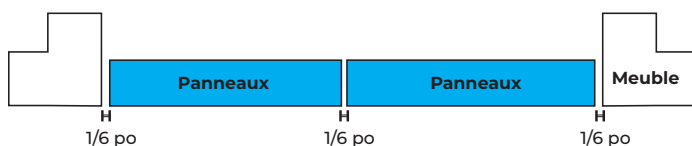
## LARGEUR DU PANNEAU PERSONNALISÉ

### ⚠ MISE EN GARDE

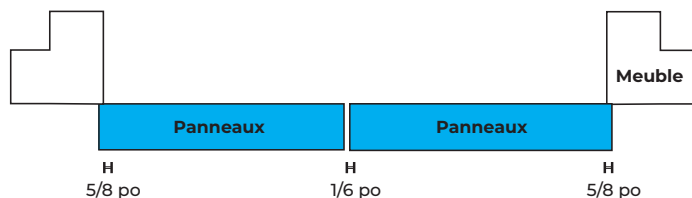
#### Risque de pincement

L'installation de panneaux de porte avec un espacement de moins de 3/8 po (0,95 cm) entre le panneau de porte et l'armoire adjacente augmente le risque de pincement.

MODÈLE	LARGEUR EN AFFLEUREMENT
18 po	17 3/4 po (45,1 cm)
24 po	23 3/4 po (63,5 cm)
30 po	29 3/4 po (75,6 cm)
36 po	35 3/4 po (90,8 cm)



MODÈLE	LARGEUR SUPERPOSÉE
18 po	18 3/8 po (46,7 cm)
24 po	24 3/8 po (61,9 cm)
30 po	30 3/8 po (77,2 cm)
36 po	36 3/8 po (92,4 cm)



MODÈLE	LARGEUR EN AFFLEUREMENT
18 po	17 3/4 po (45,1 cm)
24 po	23 3/4 po (63,5 cm)
30 po	29 3/4 po (75,6 cm)
36 po	35 3/4 po (90,8 cm)





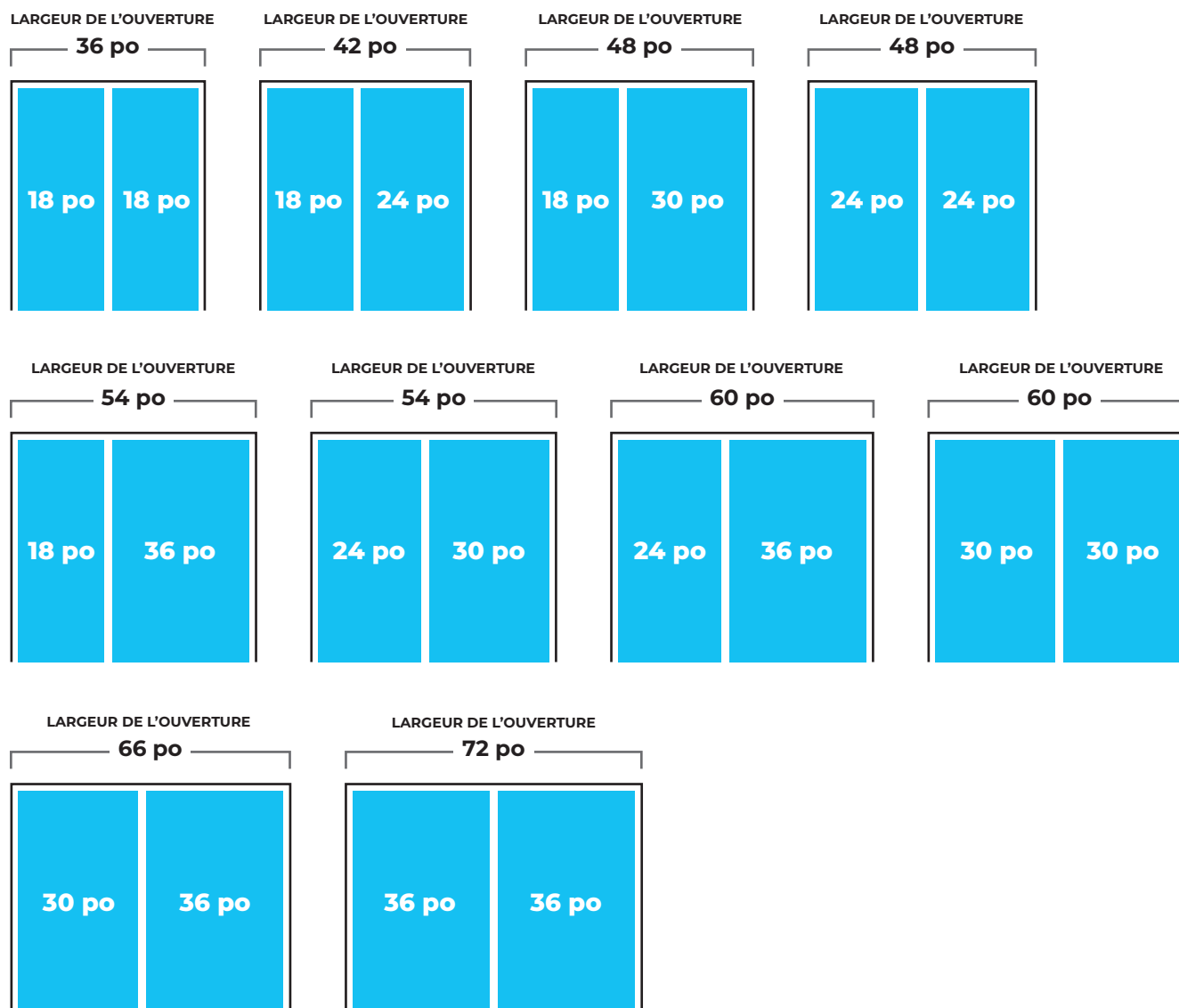
# DIMENSIONS

## OUVERTURE

### CONFIGURATION À 2 APPAREILS

REMARQUE : Ces schémas présentent les largeurs d'ouvertures pour des combinaisons d'appareils.

Les appareils peuvent être positionnés selon les différentes combinaisons permises présentées aux pages 10 et 11.



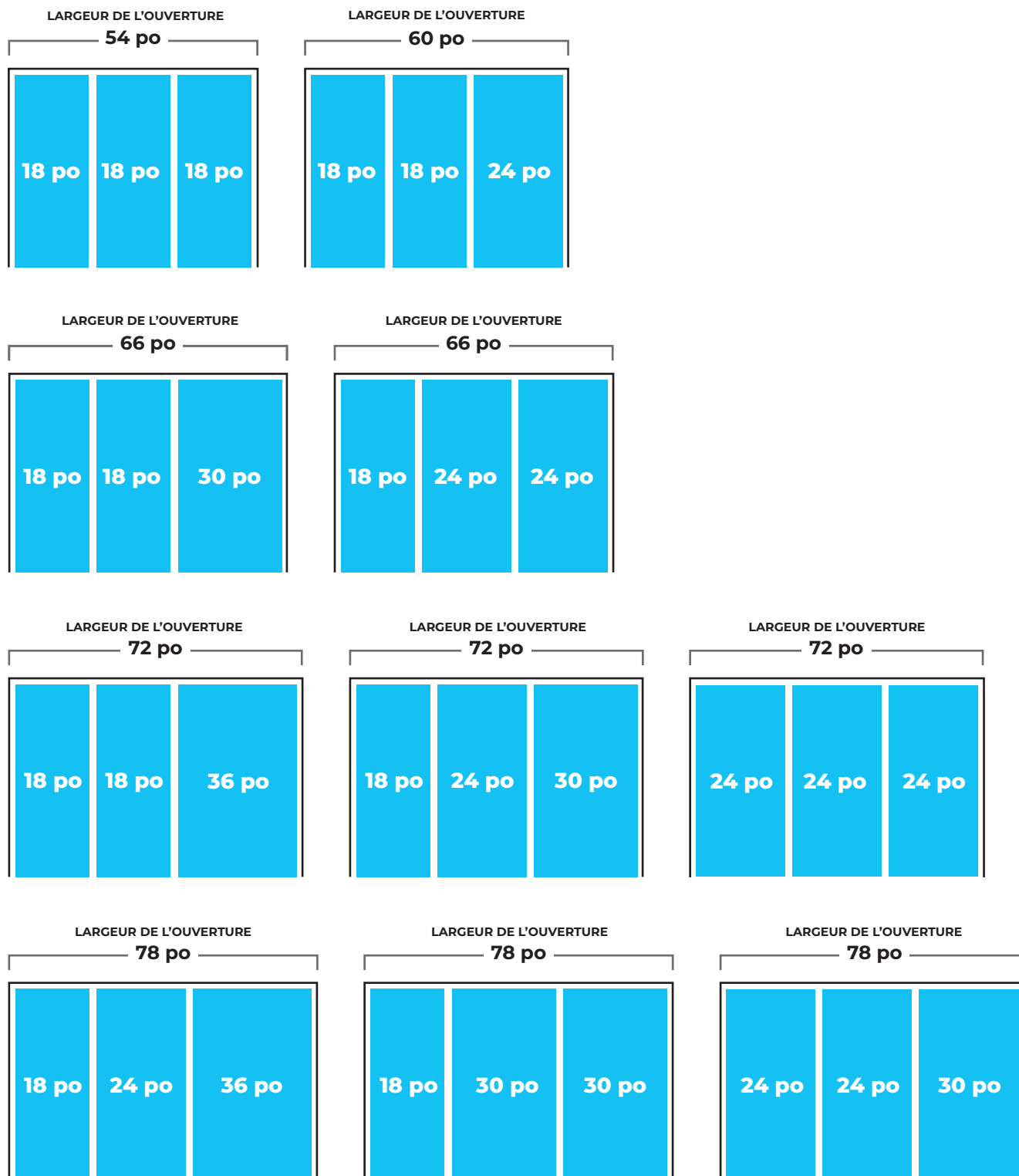
# DIMENSIONS

## OUVERTURE

### CONFIGURATION À 3 APPAREILS

REMARQUE : Ces schémas présentent les largeurs d'ouvertures pour des combinaisons d'appareils.

Les appareils peuvent être positionnés selon les différentes combinaisons permises présentées aux pages 10 et 11.



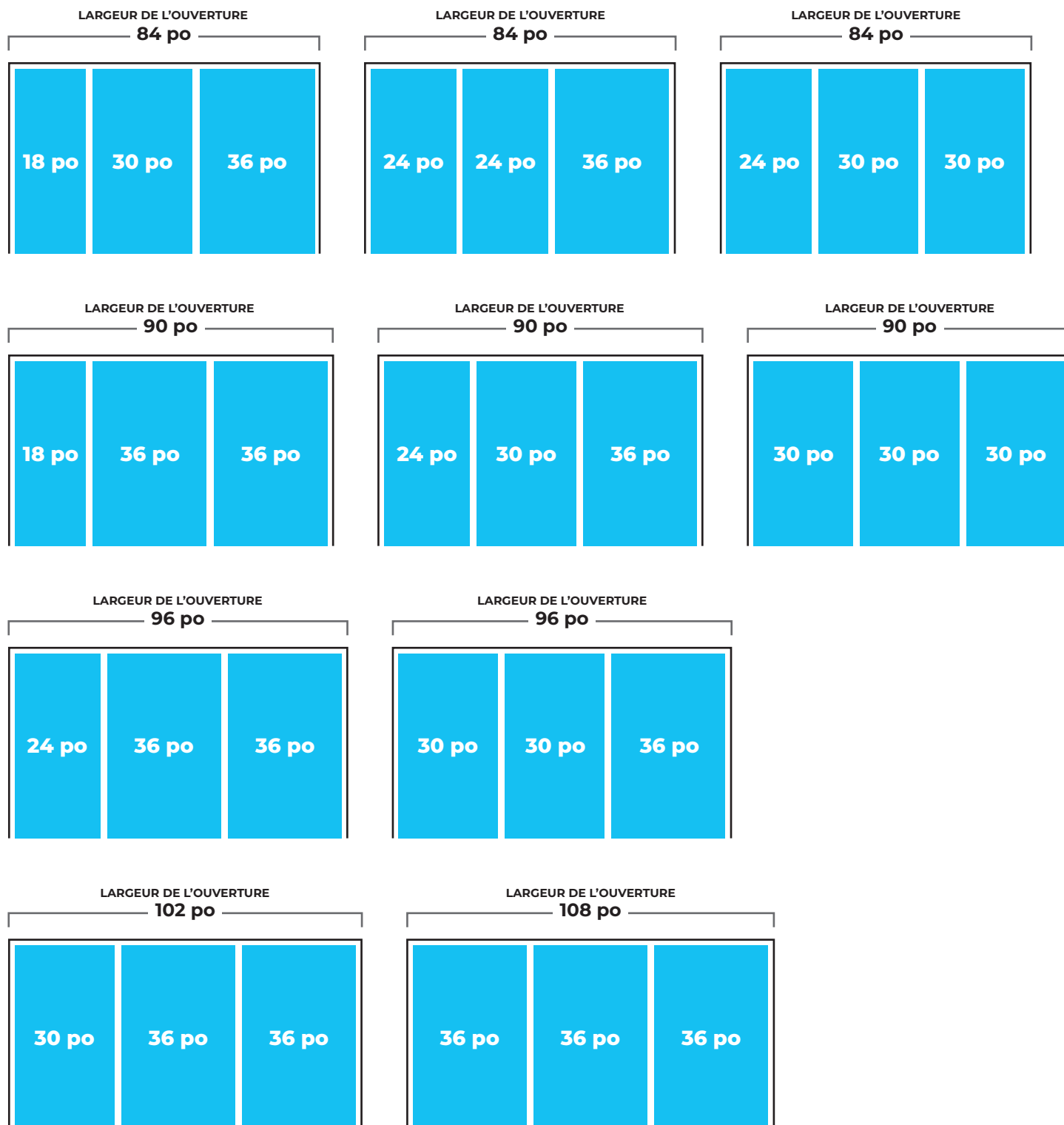
# DIMENSIONS

## O U V E R T U R E

### CONFIGURATION À 3 APPAREILS

REMARQUE : Ces schémas présentent les largeurs d'ouvertures pour des combinaisons d'appareils.

Les appareils peuvent être positionnés selon les différentes combinaisons permises présentées aux pages 10 et 11.



# DIMENSIONS

## O U V E R T U R E

### ▲ MISE EN GARDE

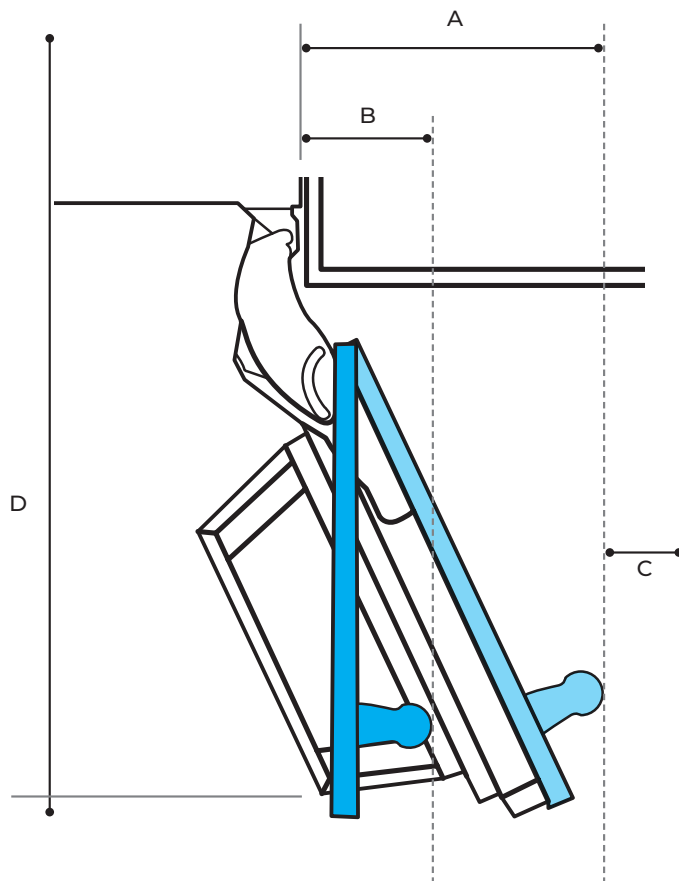
#### Risque de pincement

L'installation de panneaux de porte avec un espacement de moins de 3/8 po (0,95 cm) entre le panneau de porte et l'armoire adjacente augmente le risque de pincement.

### EXIGENCES POUR L'OUVERTURE DE LA PORTE

Modèle	Ouverture de porte à 115° (A)	Ouverture de porte à 90° (B)	Espace avec le mur (C)	Profondeur d'ouverture de porte (D)
18 po	10 1/2 po (26,7 cm)	5 po (12,7 cm)	2 1/2 po (6,4 cm)	44 1/2 po (113 cm)
24 po	13 po (33 cm)	5 po (12,7 cm)	2 1/2 po (6,4 cm)	50 1/2 po (128,3 cm)
30 po	15 1/2 po (39,4 cm)	5 po (12,7 cm)	2 1/2 po (6,4 cm)	56 3/8 po (143,2 cm)
36 po	18 po (45,7 cm)	5 po (12,7 cm)	2 1/2 po (6,4 cm)	62 7/16 po (158,6 cm)

Les dimensions indiquent 2 1/2 po d'espace entre la poignée en acier inoxydable et le mur pour éviter les pincements. Si un panneau de bois personnalisé est utilisé, prendre en considération la profondeur de la poignée pour conserver un espace de 2 1/2 po.

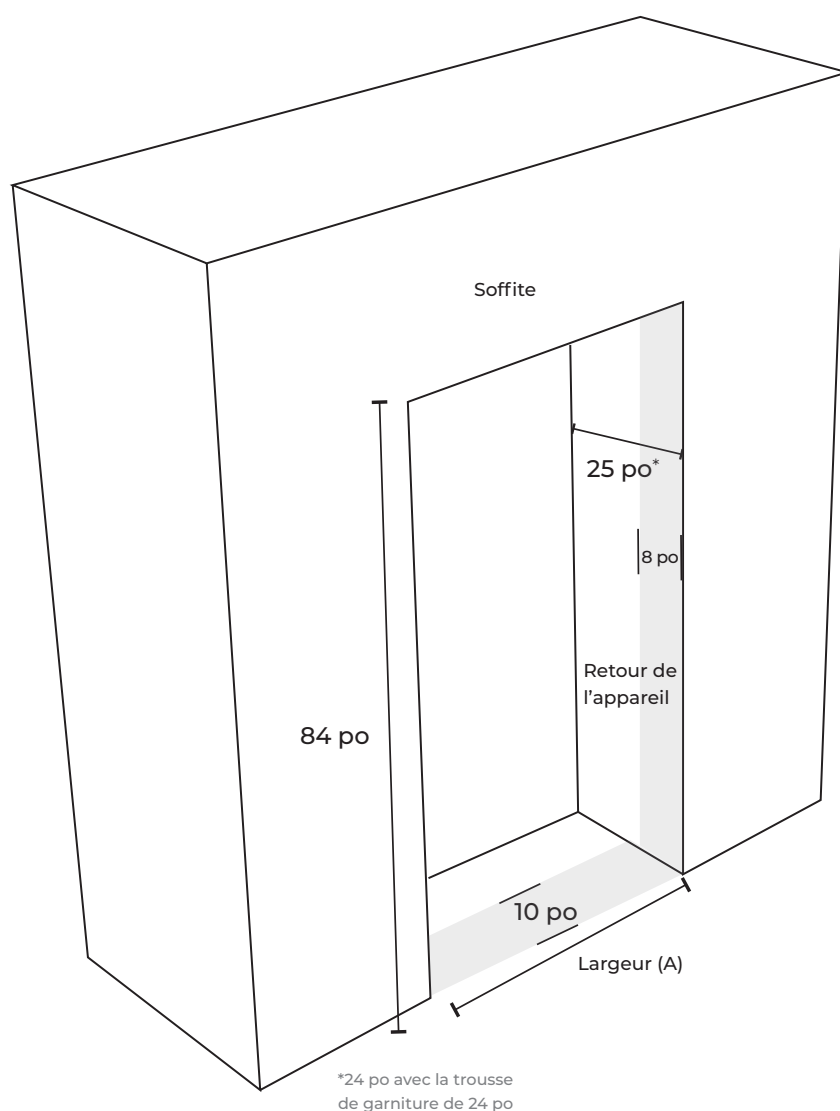


# DIMENSIONS

## OUVERTURE

### LARGEUR DE L'OUVERTURE

Modèle	Largeur (A)
18 po JBZFR18IGX JBZFL18IGX	18 po (45,7 cm)
24 po JBRFR24IGX JBRFL24IGX JBZFR24IGX JBZFL24IGX	24 po (61 cm)
30 po JBRFR30IGX JBRFL30IGX JBZFR30IGX JBZFL30IGX	30 po (76,2 cm)
36 po JBRFR36IGX JBRFL36IGX	36 po (91,4 cm)



# PRÉPARATION DU SITE

## 1. VÉRIFICATION DU MEUBLE

- Mesurer pour s'assurer que toutes les dimensions de l'ouverture sont bonnes. (Voir la page précédente.)
- Fabrication du panneau latéral : Contreplaqué de 3/4 po (1,9 cm) d'épaisseur.  
**IMPORTANT :** Ne peut pas être fabriqué en fibres pressées comme le MDF.
- Hauteur du soffite : 84 po (213,4 cm).
- Un tuyau d'alimentation d'eau unique peut être séparé en 2 ou 3 pour alimenter tous les appareils.

## ⚠ AVERTISSEMENT



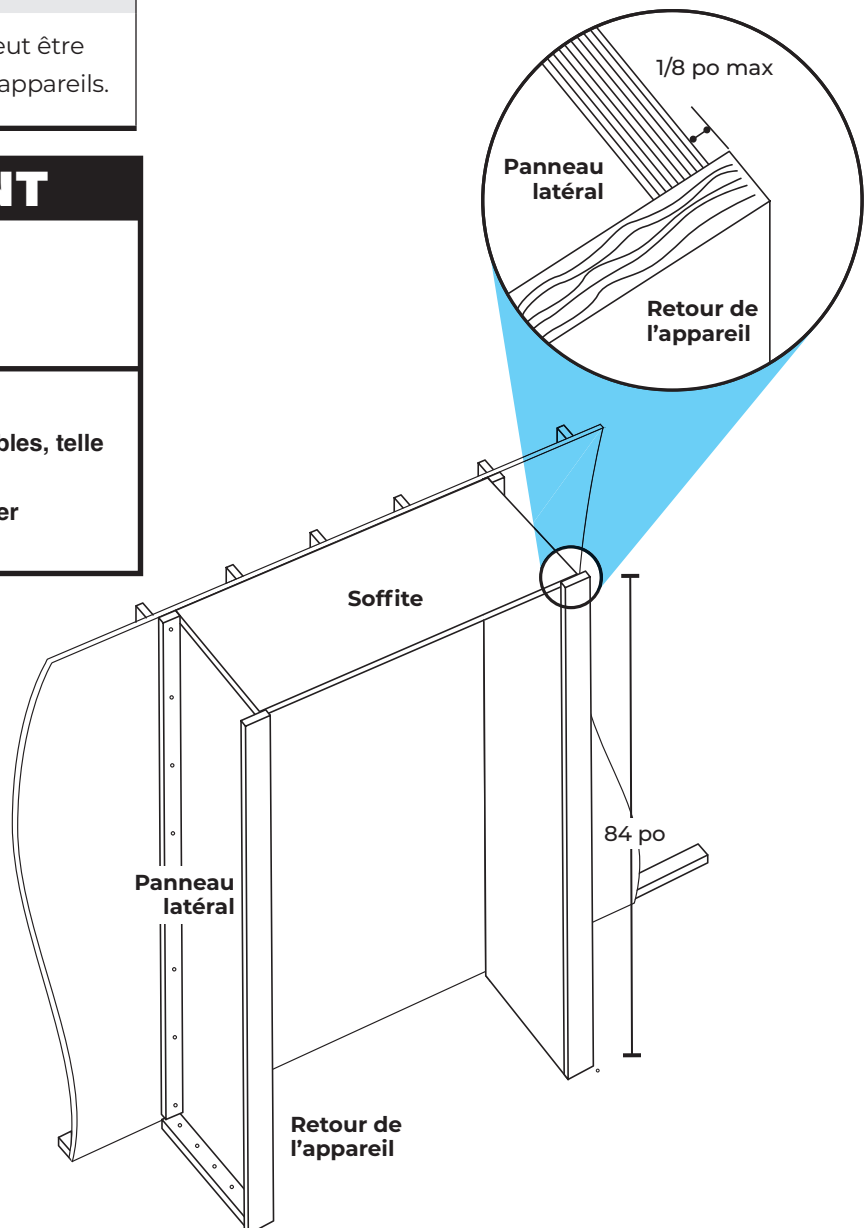
### Risque d'explosion

Garder les matériaux et les vapeurs inflammables, telle que l'essence, loin du réfrigérateur.

Le non-respect de cette instruction peut causer un décès, une explosion ou un incendie.

## 2. VÉRIFICATION DU SITE D'INSTALLATION

- Loin des fours, radiateurs et autres sources de chaleur.
- La température ne descend pas sous 55 °F (13 °C).
- Le plancher doit pouvoir supporter plus de 600 lb. (272 kg) en plus des panneaux de porte et du contenu.
- Le plancher doit être d'aplomb avec la pièce.
- L'aplomb de l'avant du meuble.



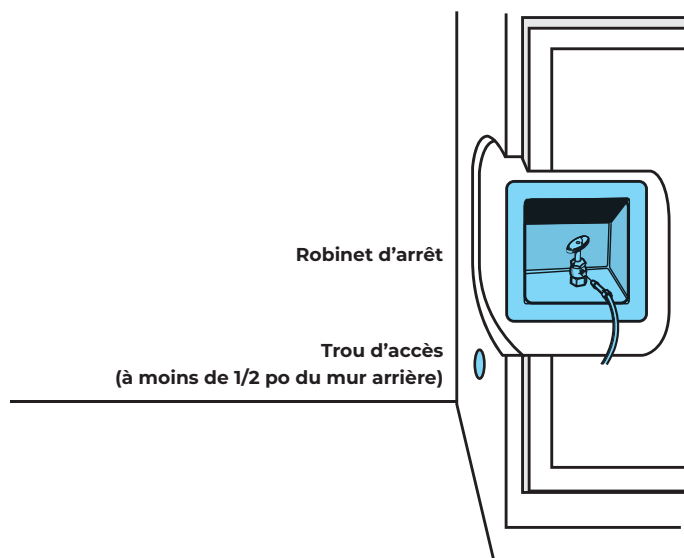
# PRÉPARATION DU SITE

## 3. VÉRIFICATION DE L'ARRIVÉE D'EAU

- L'arrivée d'eau respecte les codes de plomberie locaux.
- Le robinet d'arrêt situé dans l'armoire du bas est placé comme indiqué ou situé dans un espace accessible.
- Le trou d'accès à travers l'armoire se trouve à moins de 1/2 po (1,3 cm) du mur arrière.
- N'installer de tuyaux supplémentaires que si la température reste au-dessus du point de congélation. Vérifier qu'il n'y a pas de fuites.
- Ne pas utiliser de robinet à étrier de 3/16 po (4,8 mm) ou de type à percer. Consulter un marchand de réfrigérateurs pour obtenir une trousse avec robinet d'arrêt à étrier qui respecte les codes de plomberie locaux.
- Si la pression d'eau au système de filtration par osmose inverse est inférieure à 40 - 60 lb/po<sup>2</sup> (276 - 414 kPa) :
  - Vérifier le filtre à sédiment pour s'assurer qu'il n'est pas obstrué. Remplacer le filtre si nécessaire.
  - Laisser le réservoir se remplir après une utilisation intense.
  - Enlever la cartouche de filtre à eau. Aucune dérivation de filtre n'est nécessaire.

## SPÉCIFICATIONS DE L'ALIMENTATION EN EAU

<b>Pression d'eau</b>	30 à 120 lb/po <sup>2</sup> (207 à 827 kPa)
<b>Pression de l'eau au système d'osmose inverse</b>	40 à 60 lb/po <sup>2</sup> (276 à 414 kPa) minimum
<b>Excédent de canalisation d'eau pour le raccordement</b>	30 po (76,2 cm)
<b>Alimentation</b>	Tuyau en cuivre, à tresse d'acier inoxydable ou PEX d'un diamètre extérieur de 1/4 po



POUR TOUTE QUESTION AU SUJET DE L'ALIMENTATION EN EAU, FAIRE APPEL À UN PLOMBIER QUALIFIÉ AGRÉÉ.

# PRÉPARATION DU SITE

## ⚠ AVERTISSEMENT



### Risque de décharge électrique

**Brancher l'appareil sur une prise à 3 alvéoles reliée à la terre.**

**Ne pas enlever la prise de liaison à la terre.**

**Ne pas utiliser d'adaptateur.**

**Ne pas utiliser de rallonge.**

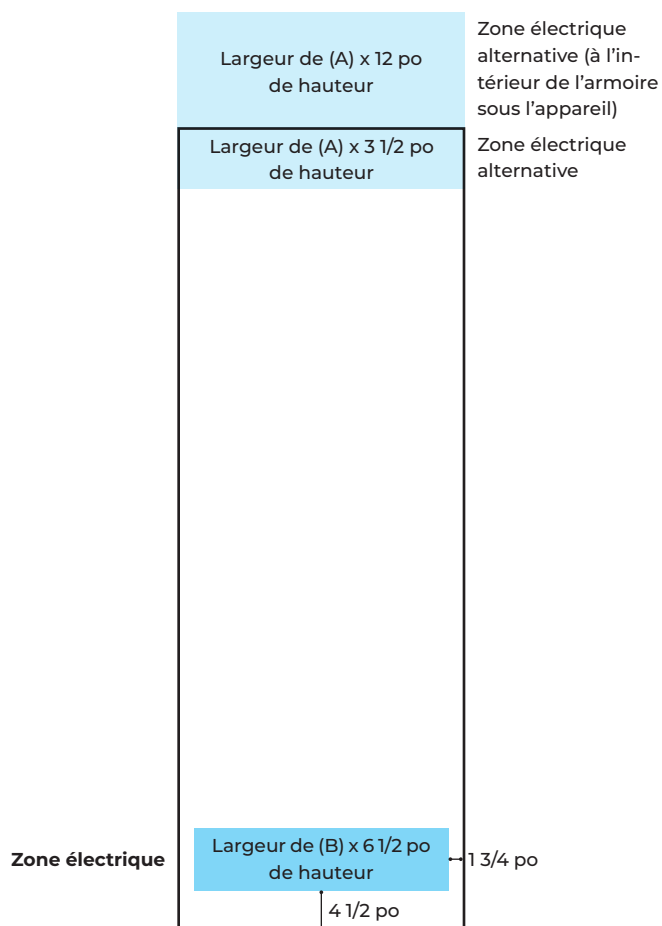
**Le non-respect de ces instructions peut causer un décès, un incendie ou une décharge électrique.**

## 4. VÉRIFICATION DE L'ÉLECTRICITÉ

- L'appareil doit être branché sur un circuit séparé. L'alimentation de la prise de courant ne doit pas être interrompue par un interrupteur.
- Ne pas utiliser de rallonge.
- Ne pas utiliser de prise avec disjoncteur différentiel.
- Installer l'électricité dans la zone indiquée. (Voir l'illustration de droite.)

## SPÉCIFICATIONS ÉLECTRIQUES

Largeur du produit/ largeur de la zone électrique alternative (A)	Largeur de la zone électrique (B)
18 po (45,7 cm)	14 1/2 po (36,8 cm)
24 po (60,1 cm)	20 1/2 po (52 cm)
30 po (76,2 cm)	26 1/2 po (67,3 cm)
36 po (91,4 cm)	32 1/2 po (82,6 cm)



**POUR TOUTE QUESTION AU SUJET DE L'ALIMENTATION ÉLECTRIQUE, FAIRE APPEL À UN ÉLECTRICIEN QUALIFIÉ AGRÉÉ.**



# PRÉPARATION DU SITE

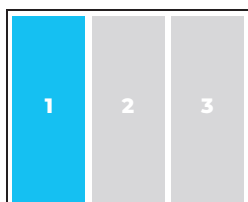
## 5. VÉRIFICATION AVANT L'INSTALLATION

- Vérifier le type de porte choisi par le client.
- Enlever tout le matériel d'installation du tiroir pour spécialités.
- Marque le style de porte sur les gabarits et gabarits de profondeur de porte à l'aide d'un marqueur indélébile.
- Vérifier que les mesures diagonales de l'ouverture correspondent.
- Consulter le document de considérations de conception pour vérifier les dimensions du panneau et de la plinthe, ainsi que les espaces et superpositions.
- S'assurer d'avoir les bonnes trousse de joint pour la configuration, côté gauche/droit, charnière/sans charnière et ordre d'installation.

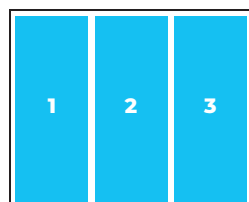
## INSTRUCTIONS IMPORTANTES

Ces instructions importantes vous indiquent où effectuer les étapes des sections suivantes.

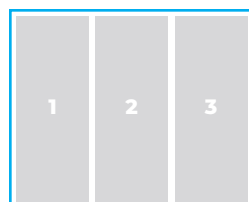
À noter que les appareils sont installés et numérotés de gauche à droite.



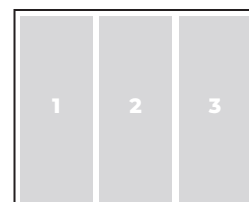
Commencer par l'étape de l'appareil indiqué en bleu.



Effectuer l'étape pour tous les appareils installés.



Effectuer l'étape du meuble.



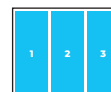
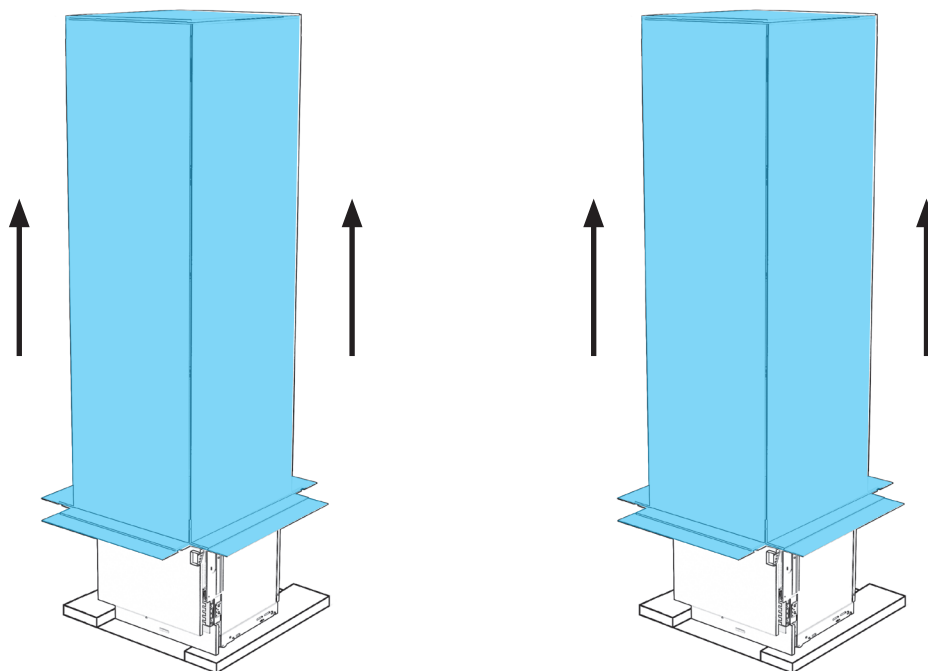
Effectuer l'étape sans lien avec l'appareil, comme pour le panneau ou la plinthe.

# PRÉPARATION

DE L'APPAREIL

## 7.1

DÉBALLER L'APPAREIL ET LES TROUSSES DE JOINT, JETER LES CARTONS.



RETIRER LES TROUSSES D'INSTALLATION DU TIROIR DES TIROIRS POUR SPÉCIALITÉ PENDANT QUE L'APPAREIL EST TOUJOURS SUR SES PATINS.

AVANT DE DÉPLACER L'APPAREIL, LIRE TOUS LES AVERTISSEMENTS.

## ⚠ AVERTISSEMENT



### Risque de basculement

**Le réfrigérateur est lourd au sommet et bascule facilement lorsqu'il n'est pas complètement installé.**

**Garder les portes fermées avec un ruban adhésif jusqu'à l'installation complète du réfrigérateur.**

**Utiliser deux ou plus de personnes pour déplacer et installer le réfrigérateur.**

**Le non-respect de ces instructions peut causer un décès ou une blessure grave.**

### Déplacement de votre réfrigérateur :

Votre réfrigérateur est lourd. Lors du déplacement de votre réfrigérateur pour le nettoyage ou un entretien ou réparation, veiller à recouvrir le plancher avec du carton ou un panneau de fibres dures pour éviter qu'il ne subisse tout dommage. Toujours tirer le réfrigérateur tout droit lors de son déplacement. Ne pas incliner le réfrigérateur d'un côté ou de l'autre ni le "faire marcher" en essayant de le déplacer car le plancher pourrait être endommagé.

### Importants renseignements à savoir au sujet des tablettes et des couvercles en verre :

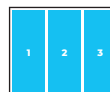
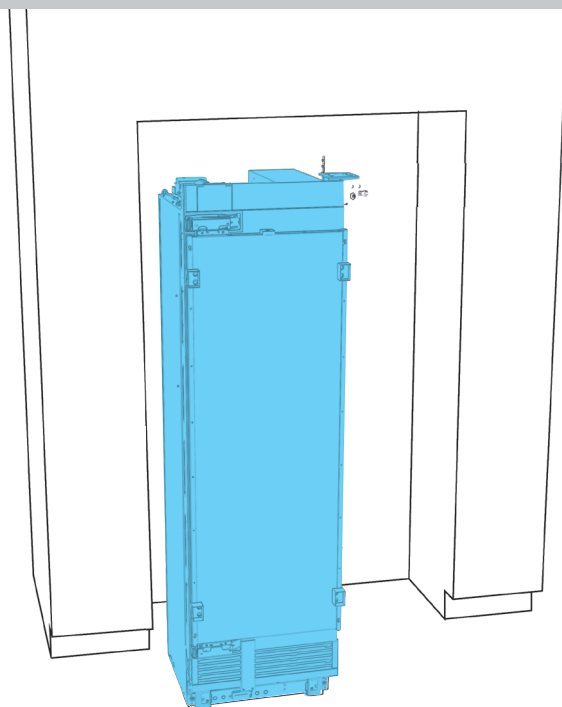
Ne pas nettoyer les tablettes ou couvercles en verre avec de l'eau tiède quand ils sont froids. Les tablettes et les couvercles peuvent se briser s'ils sont exposés à des changements soudains de température ou à un impact tel que coup brusque. Le verre trempé est conçu pour éclater en d'innombrables pièces minuscules. Ceci est normal. Les tablettes et les couvercles en verre sont lourds. Les saisir à deux mains lors de leur dépose afin d'éviter de les faire tomber.

# 1

## PRÉPARATION DE L'APPAREIL

### 1.2

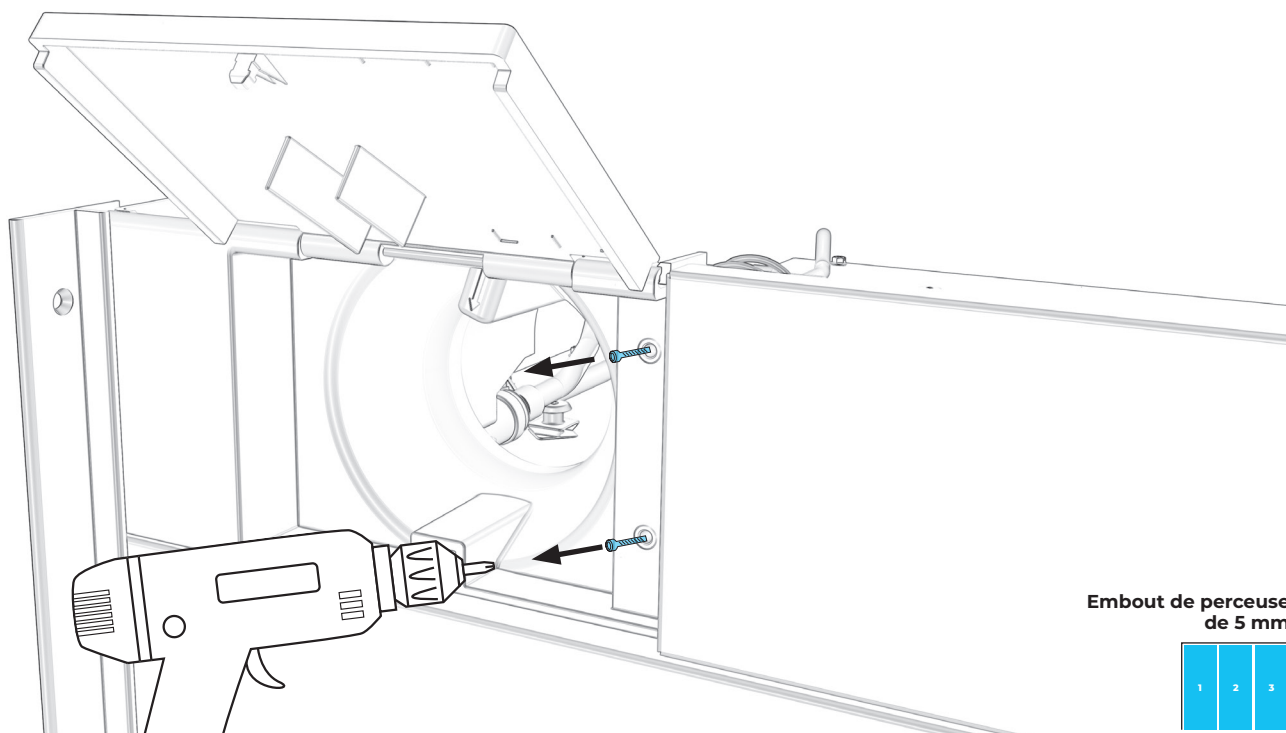
POUR CHAQUE APPAREIL : DÉPLACER DEVANT L'OUVERTURE.



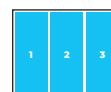
DÉPLACER L'APPAREIL À DEUX PERSONNES. NE PAS OUVRIR LES PORTES AVANT QUE L'APPAREIL SOIT SÉCURISÉ.

### 1.3

POUR CHAQUE APPAREIL : ENLEVER LES DEUX VIS DU FILTRE À EAU.

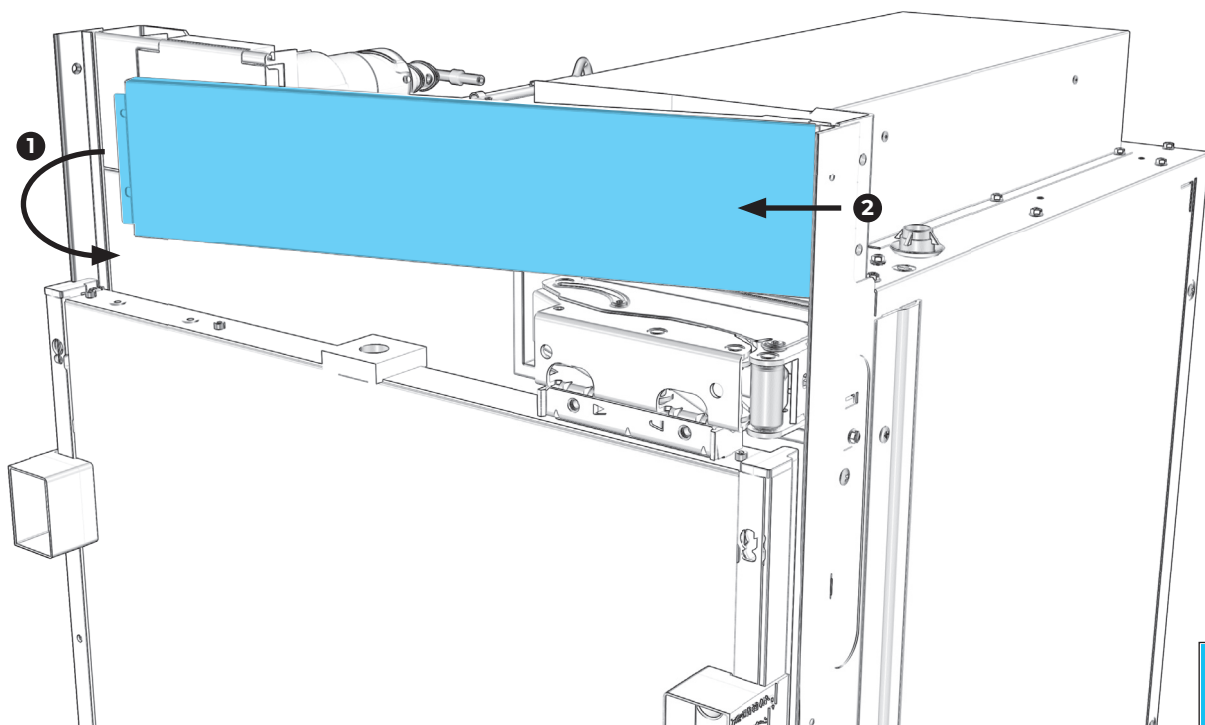


Embout de perceuse de 5 mm



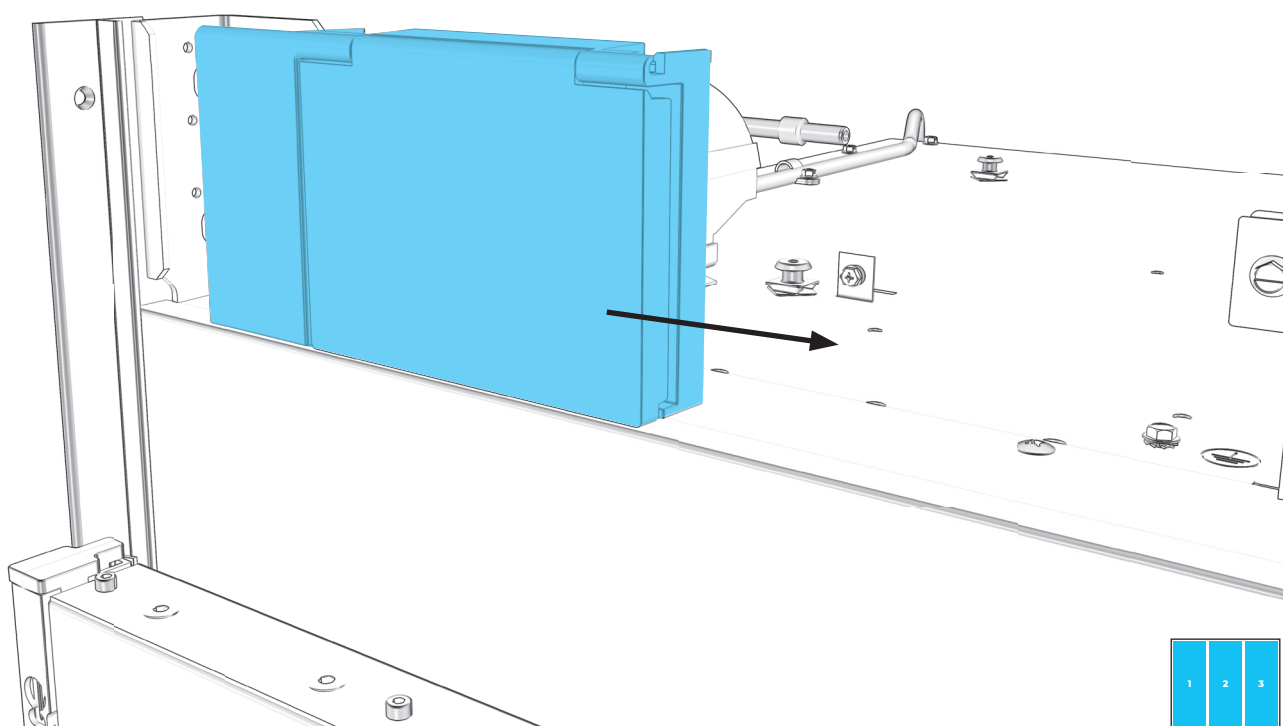
1.4

POUR CHAQUE APPAREIL : TIRER VERS LA GAUCHE, ENLEVER LA PLAQUE.



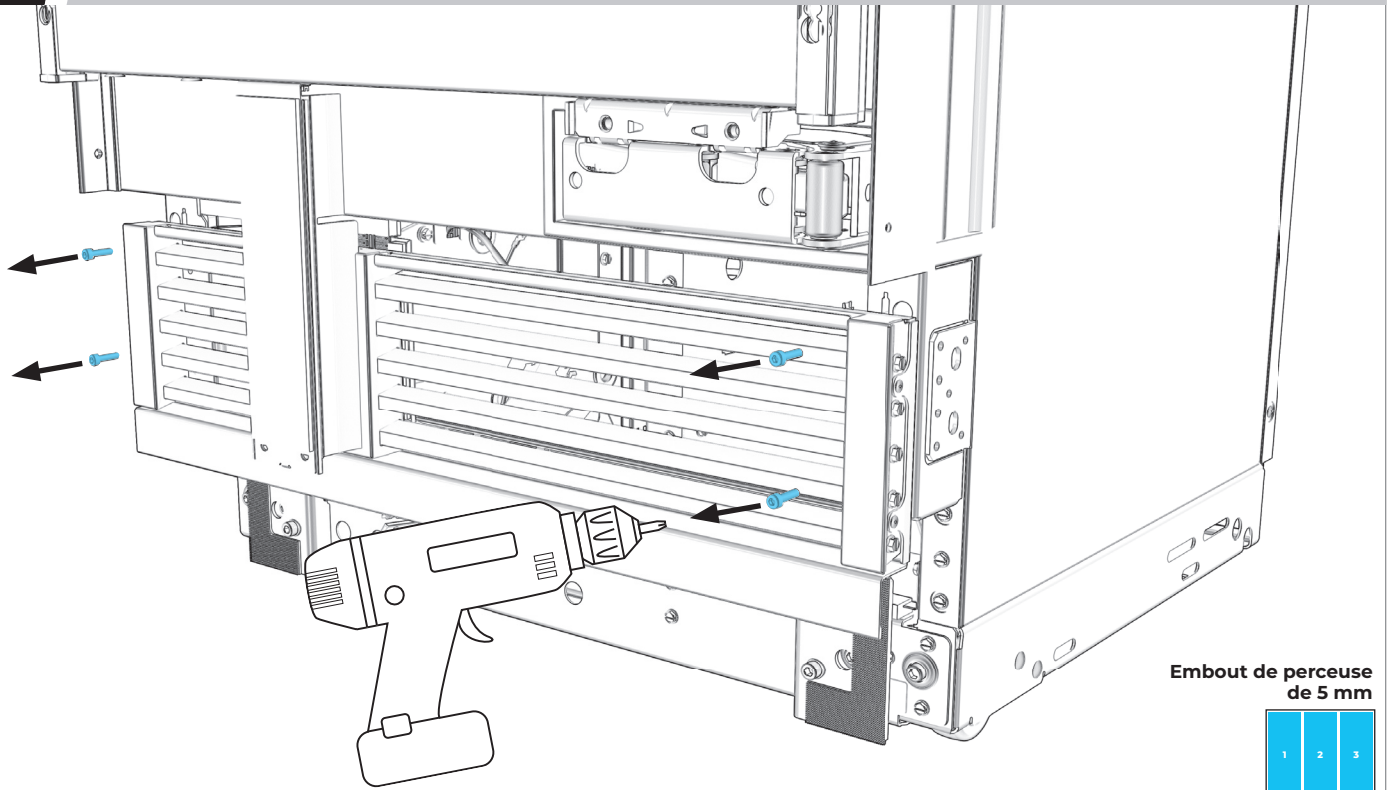
1.5

POUR CHAQUE APPAREIL : TIRER LE BOÎTIER VERS LA DROITE POUR L'ENLEVER.



1.6

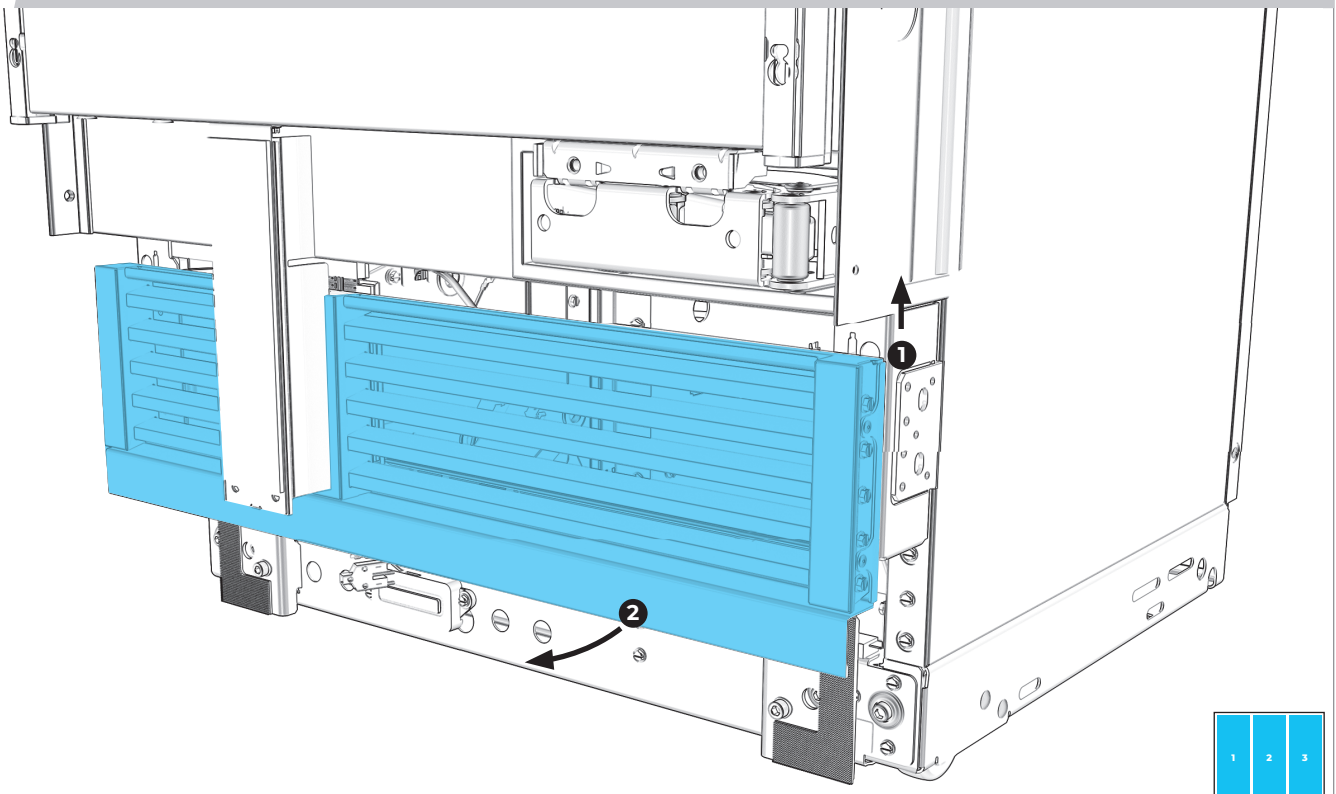
POUR CHAQUE APPAREIL : RETIRER LES QUATRE VIS DE LA GRILLE D'AÉRATION.

Embout de perceuse  
de 5 mm

1 2 3

1.7

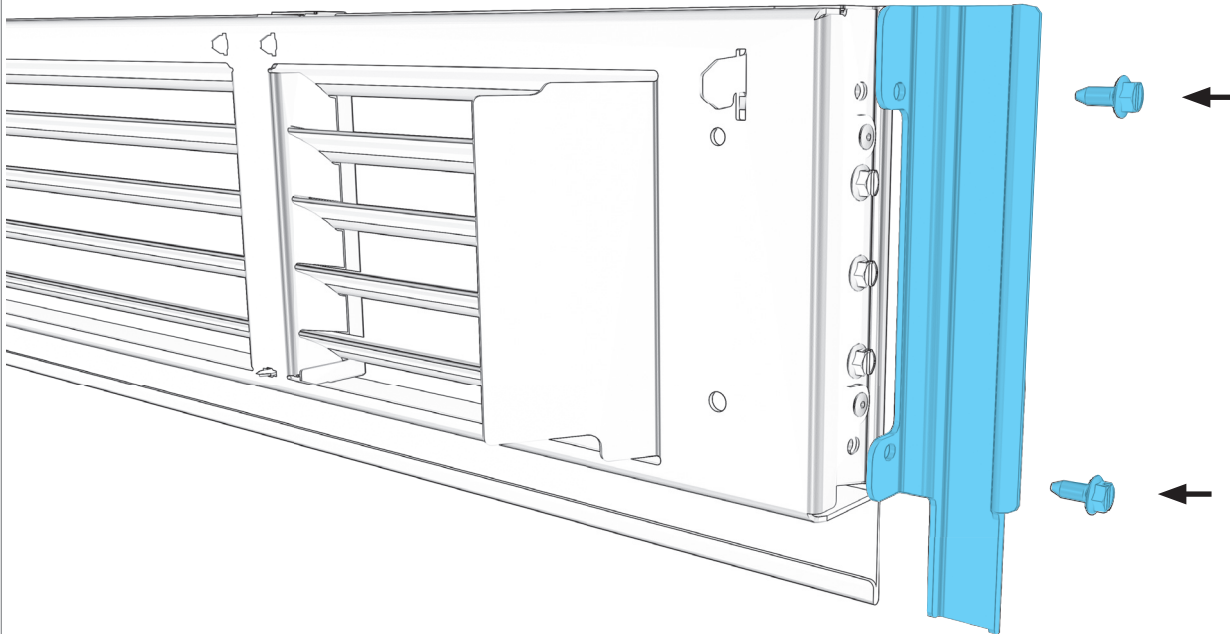
POUR CHAQUE APPAREIL : RETIRER LA GRILLE D'AÉRATION DE LA BASE.



1 2 3

1.8

DEUXIÈME (ET TROISIÈME) APPAREIL : INSTALLER LA GARNITURE DE GRILLE D'AÉRATION.

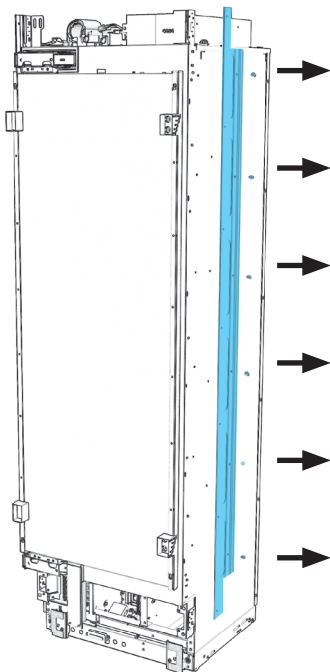


Tournevis  
cruciforme

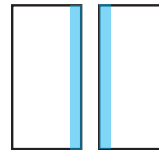


1.9

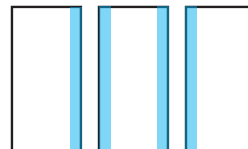
RETIRER LES GARNITURES ENTRE LES APPAREILS.



Retirer la garniture,  
2 appareils



Retirer la garniture,  
3 appareils



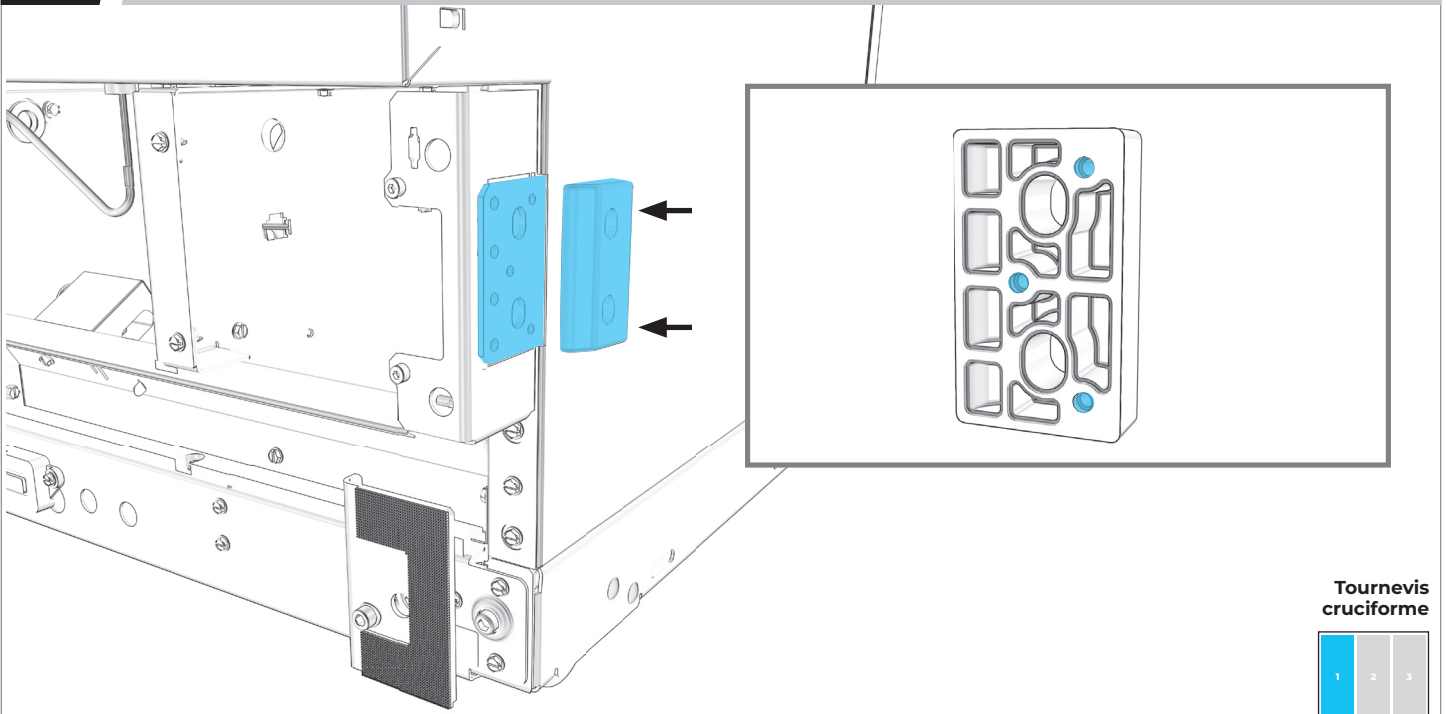
LAISSER LES GARNITURES EN PLACE SUR LES CÔTÉS MEUBLES.

# 1

## PRÉPARATION DE L'APPAREIL

### 1.10

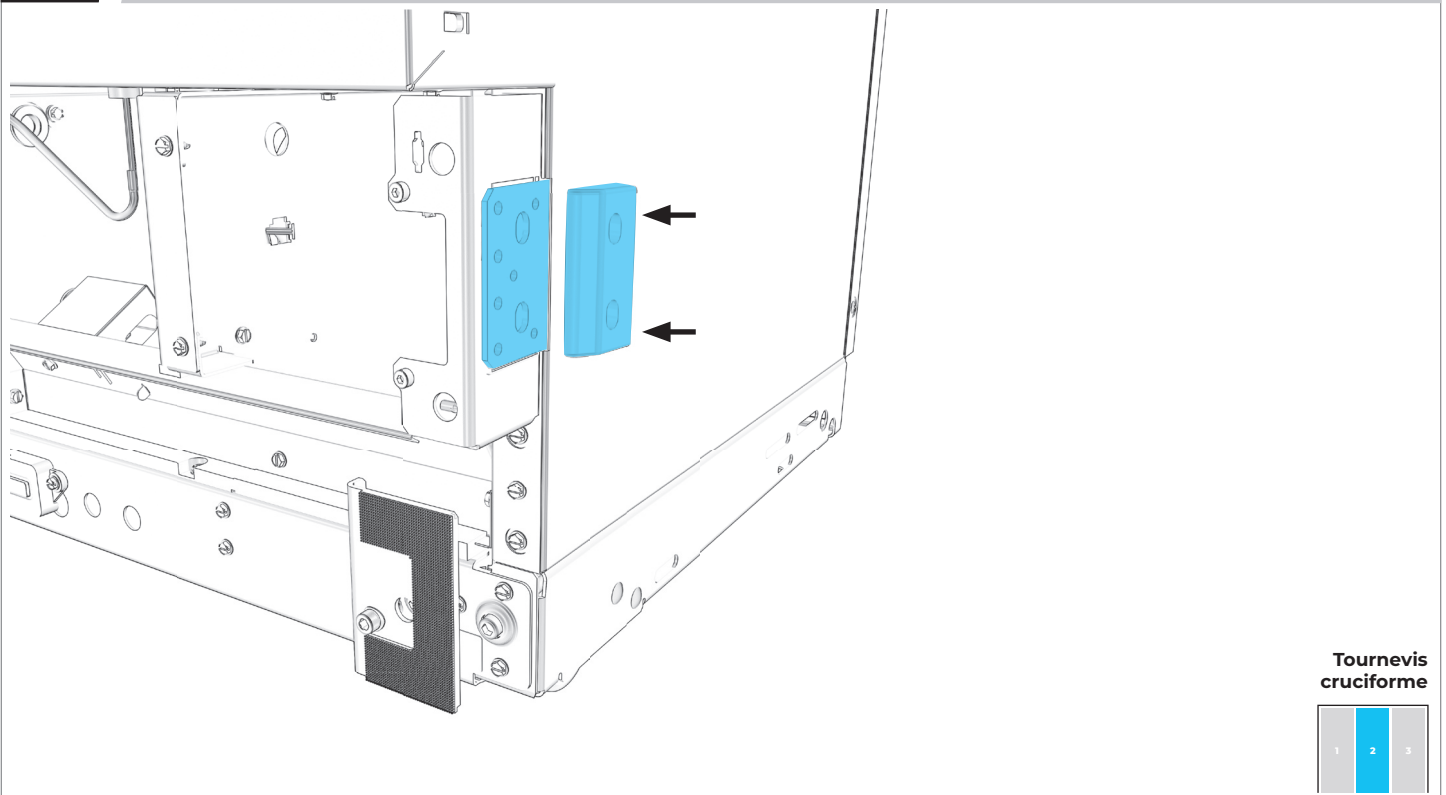
PREMIER APPAREIL : INSTALLER L'ESPACEUR.



S'ASSURER QUE LE CÔTÉ MINCE FAIT FACE VERS L'EXTÉRIEUR.

### 1.11

SI TROIS APPAREILS SONT INSTALLÉS : RÉPÉTER L'ÉTAPE 1,10 POUR LE DEUXIÈME APPAREIL.





# PRÉPARATION

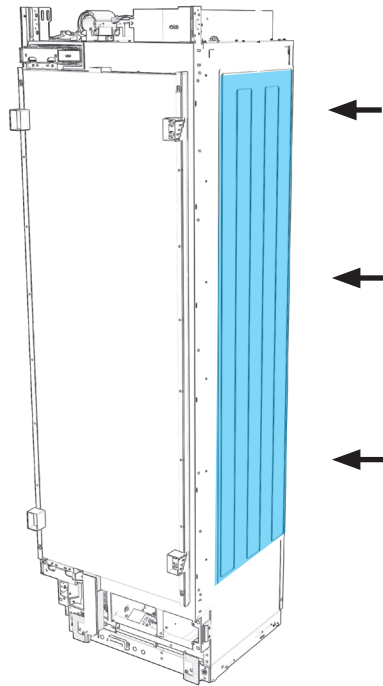
DE LA TROUSSE DE JOINT

# 2

## PRÉPARATION DE LA TROUSSE DE JOINT

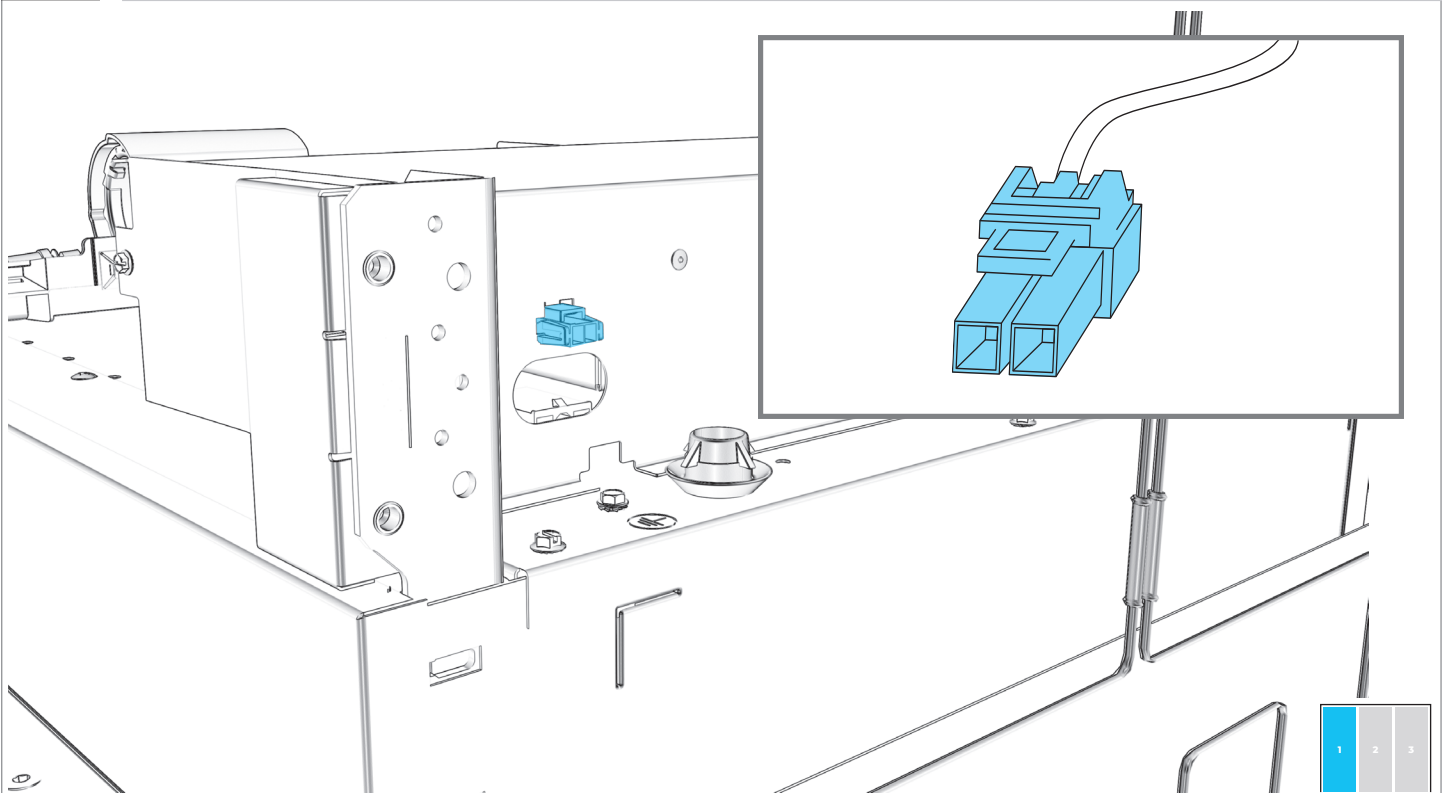
### 2.1

#### PREMIER APPAREIL : ALIGNER ET FIXER L'ÉLÉMENT CHAUFFANT.



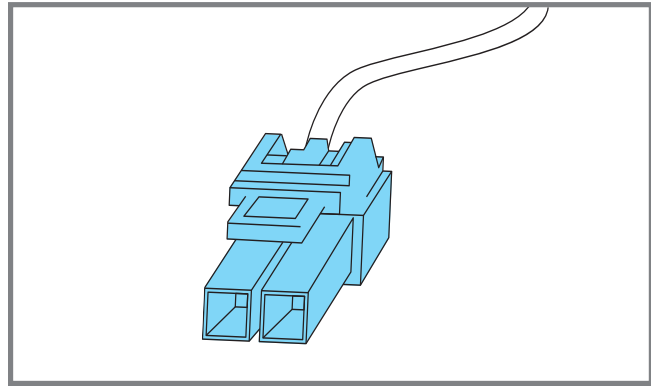
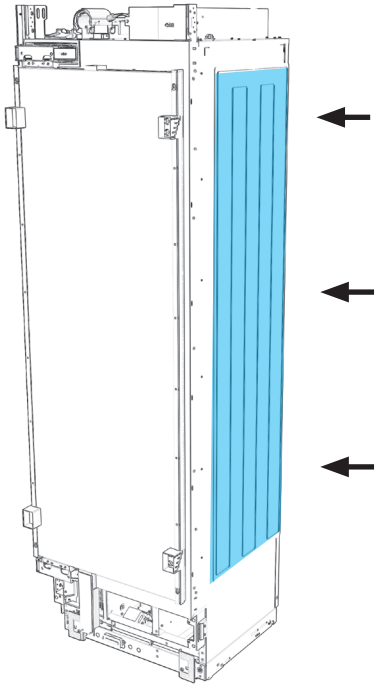
### 2.2

#### BRANCHER L'ÉLÉMENT CHAUFFANT SUR L'APPAREIL.



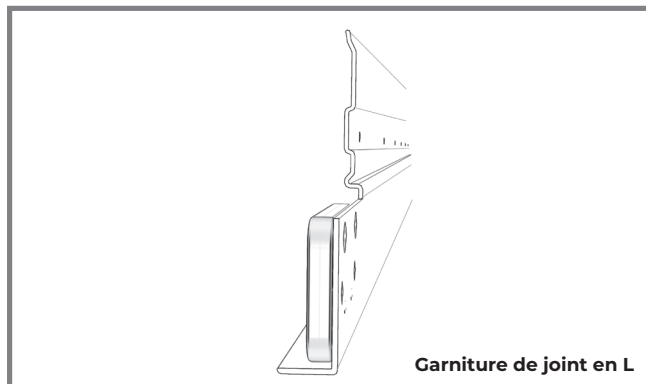
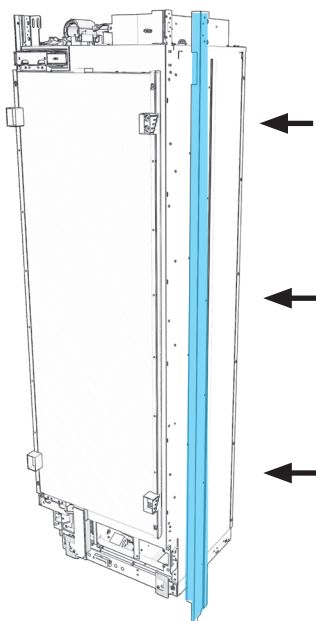
2.3

RÉPÉTER L'ÉTAPE 2,1 ET 2,2 AVEC LE DEUXIÈME APPAREIL.



2.4

PREMIER APPAREIL : INSTALLER LA GARNITURE DE JOINT EN L.



Tournevis  
cruciforme

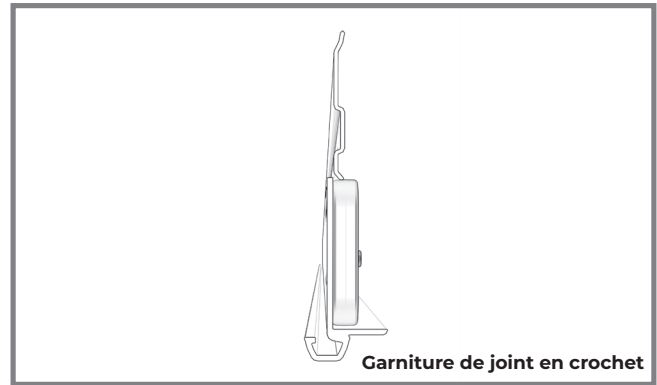
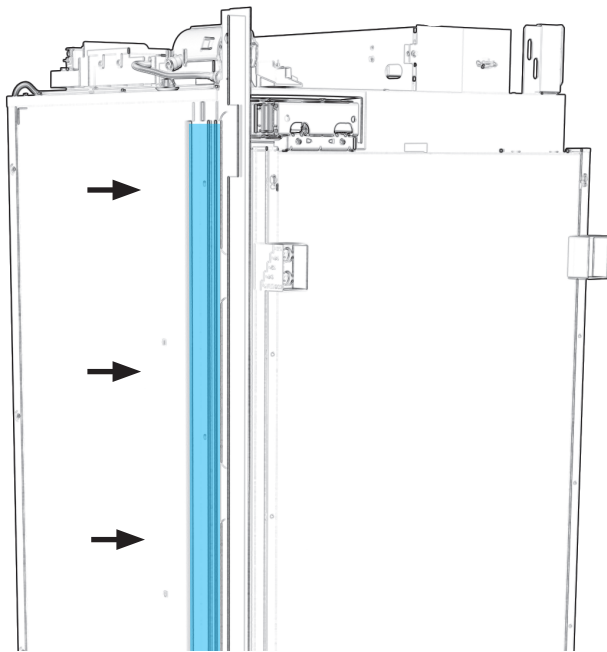


# 2

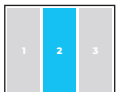
## PRÉPARATION DE LA TROUSSE DE JOINT

### 2.5

DEUXIÈME APPAREIL : INSTALLER LA GARNITURE DE JOINT EN CROCHET.

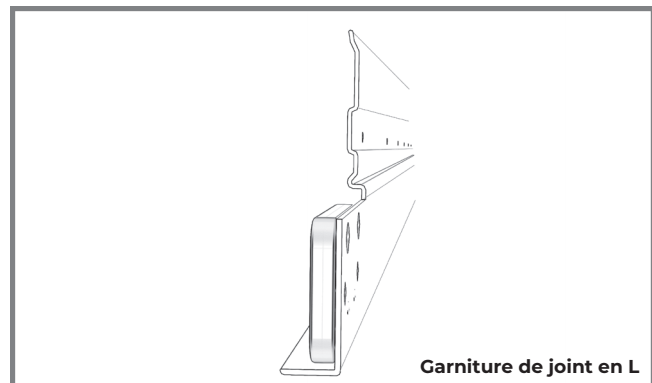
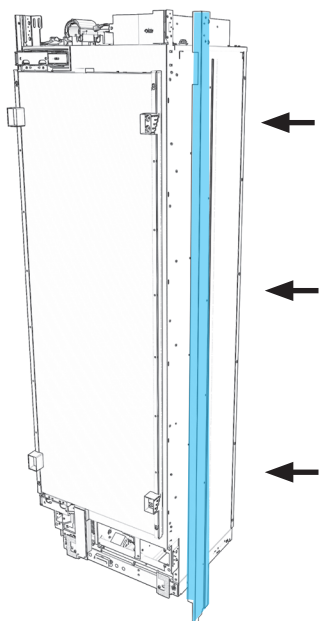


Tournevis  
cruciforme



### 2.6

SI TROIS APPAREILS SONT INSTALLÉS : INSTALLER LE JOINT DE GARNITURE EN L SUR  
LE DEUXIÈME APPAREIL.

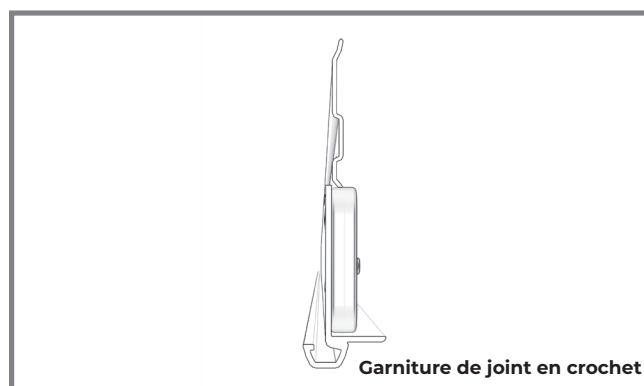
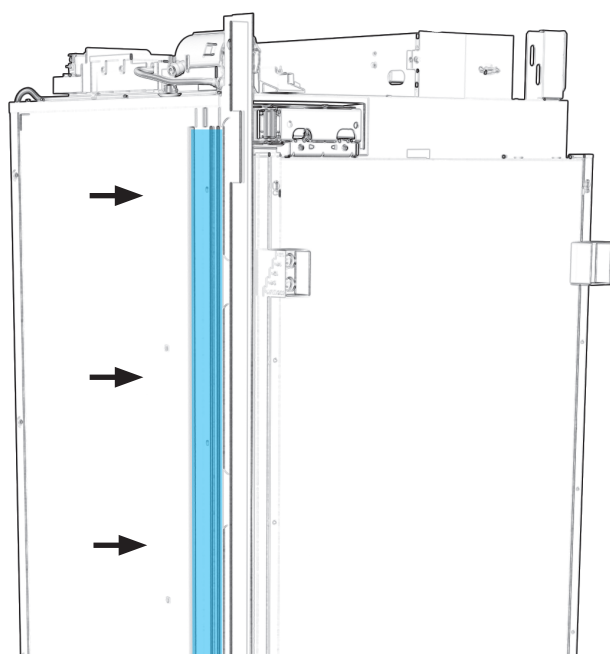


Tournevis  
cruciforme



2.7

SI TROIS APPAREILS SONT INSTALLÉS : INSTALLER LE JOINT DE GARNITURE EN CROCHET SUR LE TROISIÈME APPAREIL.



Tournevis  
cruciforme

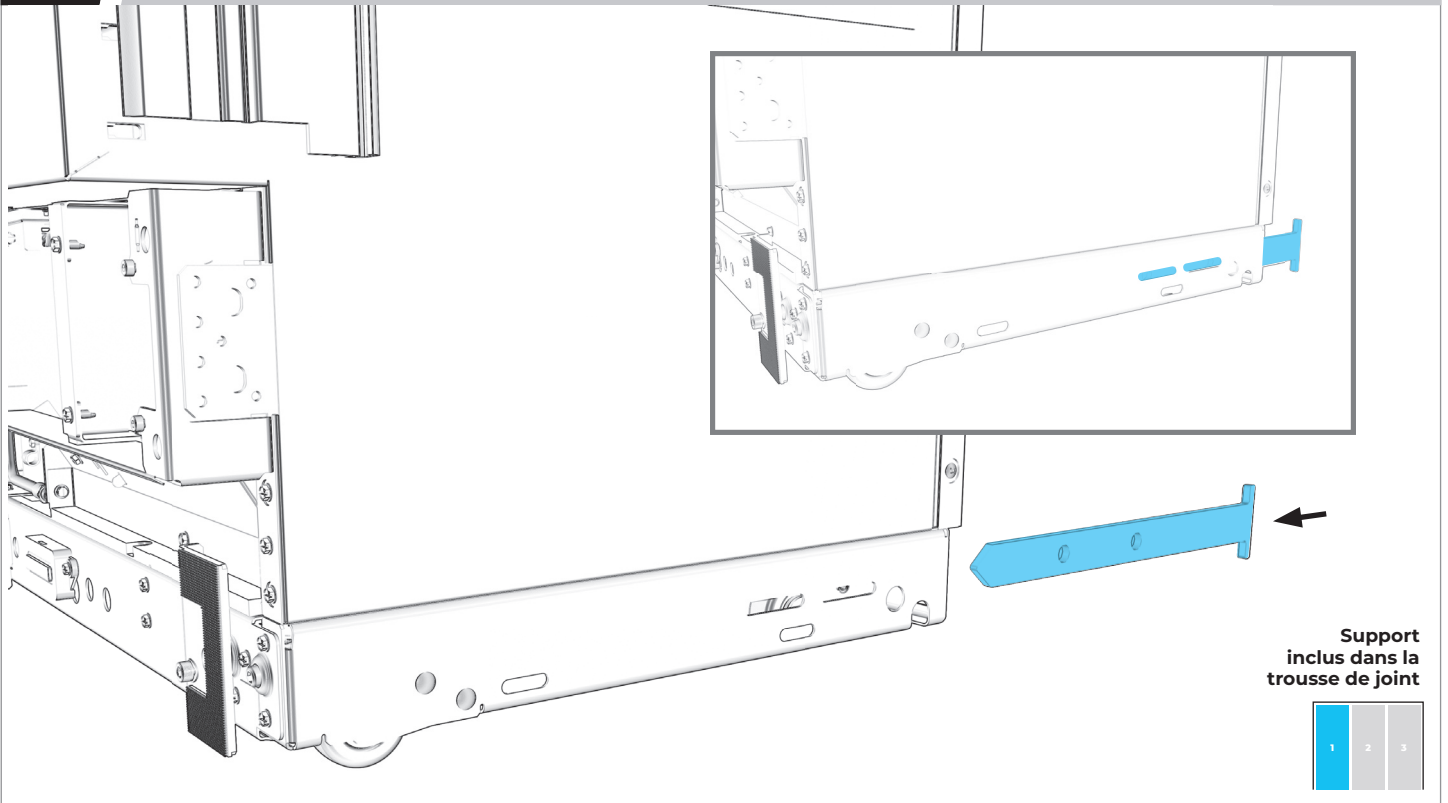


# PRÉPARATION

DE LA BRIDE DE POSITIONNEMENT

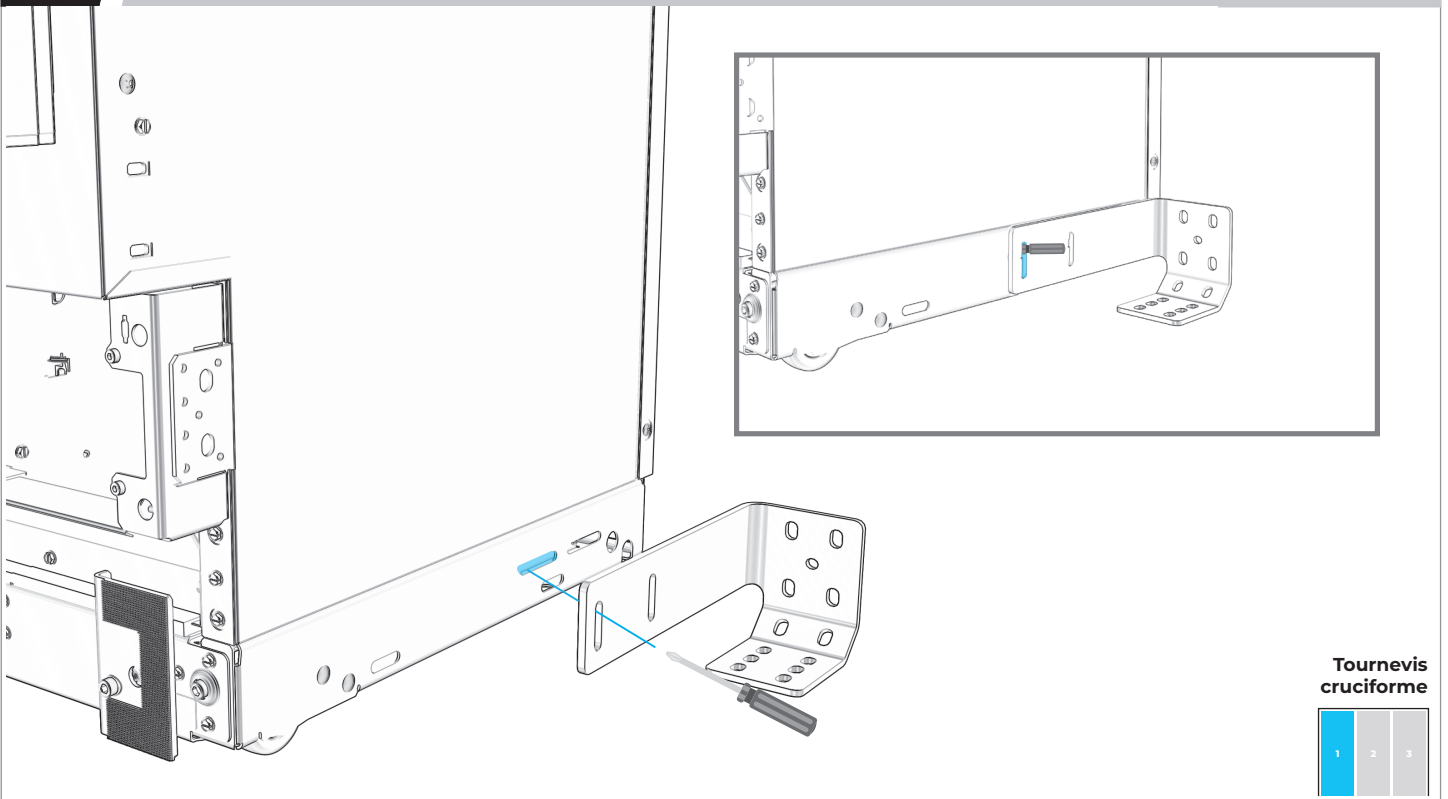
3.1

PREMIER APPAREIL : GLISSER LE SUPPORT DANS LA FENTE D'INSTALLATION.



3.2

UTILISER UN TOURNEVIS POUR S'ASSURER QUE LES TROUS SONT ALIGNÉS.

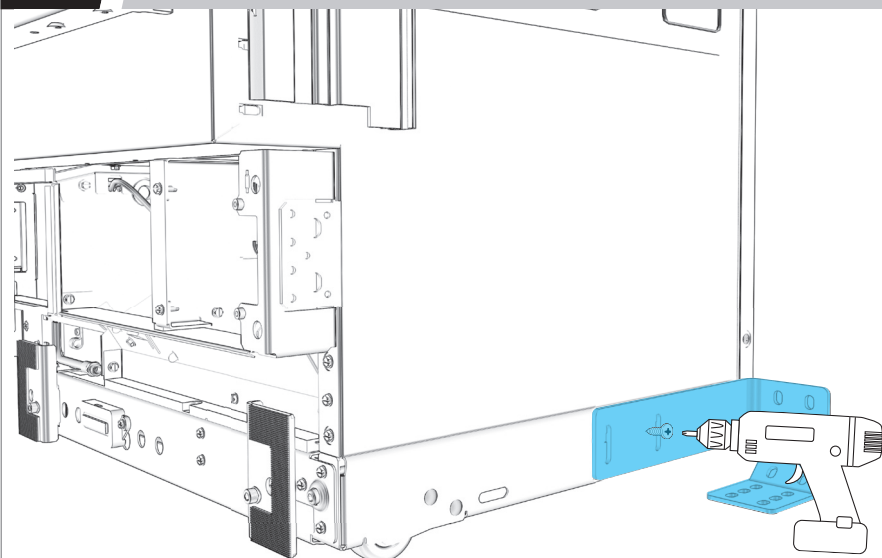


# 3

## PRÉPARATION DE LA BRIDE DE POSITIONNEMENT

### 3.4

FIXER SANS SERRER LA BRIDE DE POSITIONNEMENT AU SUPPORT.



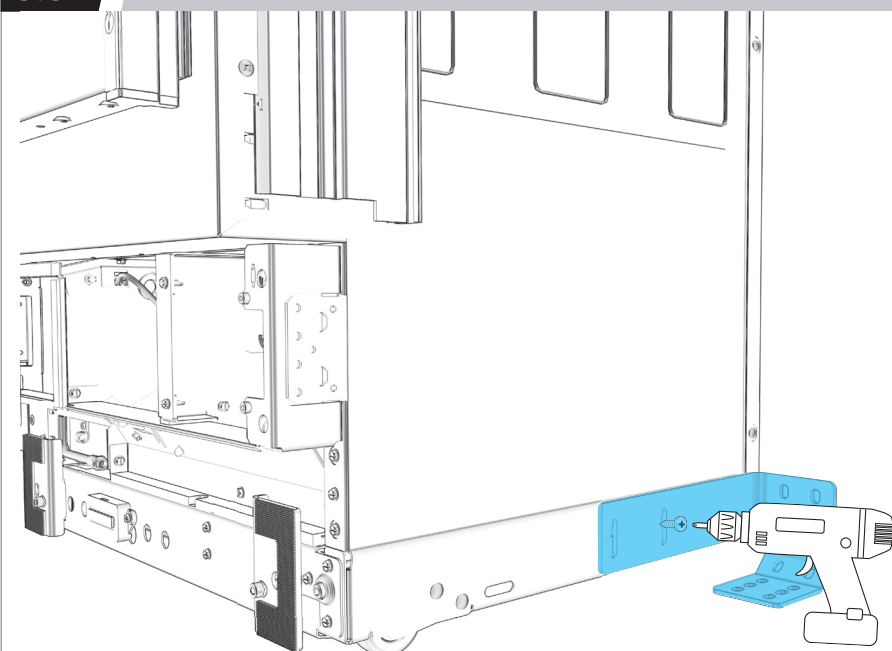
Douille M6



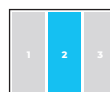
LA POSITION FINALE EST DÉTERMINÉE UNE FOIS LES APPAREILS ENTIÈREMENT SOULEVÉS.

### 3.5

SI TROIS APPAREILS SONT INSTALLÉS : RÉPÉTER LES ÉTAPES 3,1 À 3,4 POUR LE DEUXIÈME APPAREIL.



Douille M6





INSTALLATION DE LA BRIDE

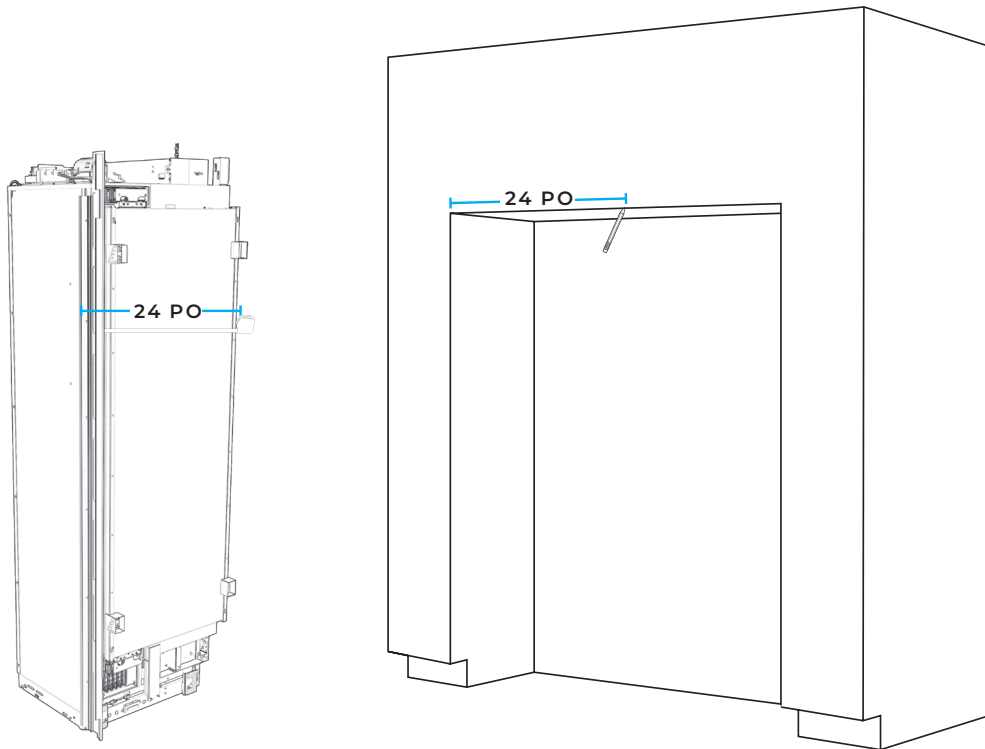
**B A D A S S**

# 4

## INSTALLATION DE LA BRIDE BADASS

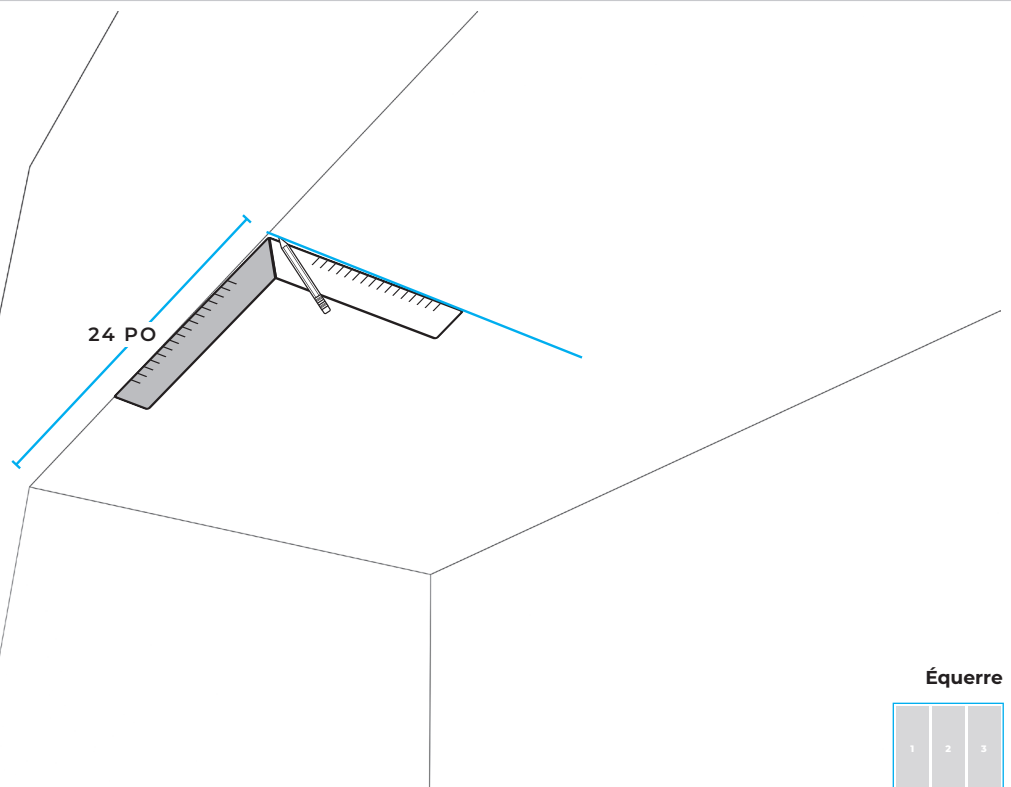
### 4.1

MARQUE UNE LIGNE À LA LARGEUR DU PREMIER APPAREIL, À PARTIR DU CADRE DE GAUCHE.



### 4.2

À L'AIDE D'UNE ÉQUERRE, TRACER UNE LIGNE PERPENDICULAIRE AU CADRE DE DEVANT.

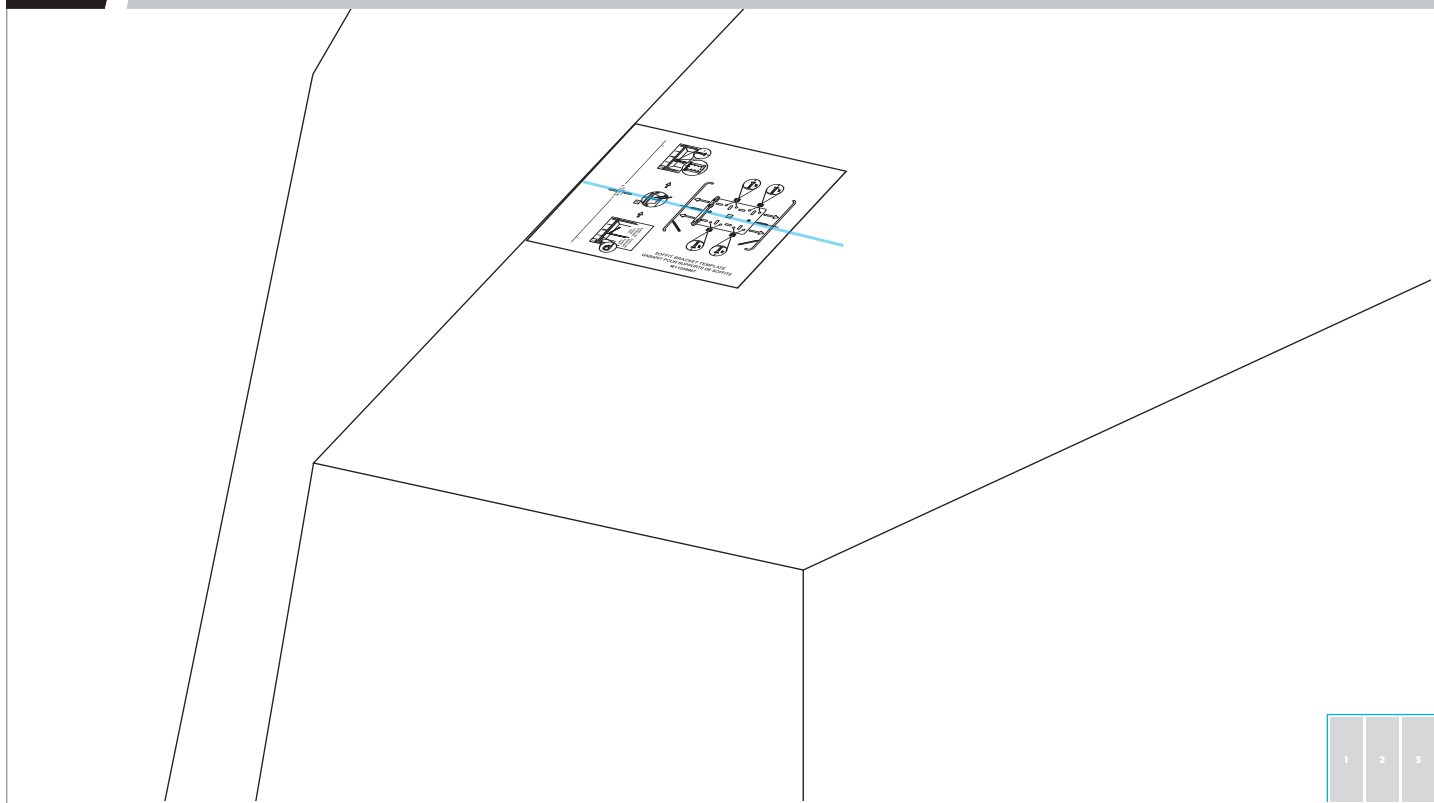


Équerre



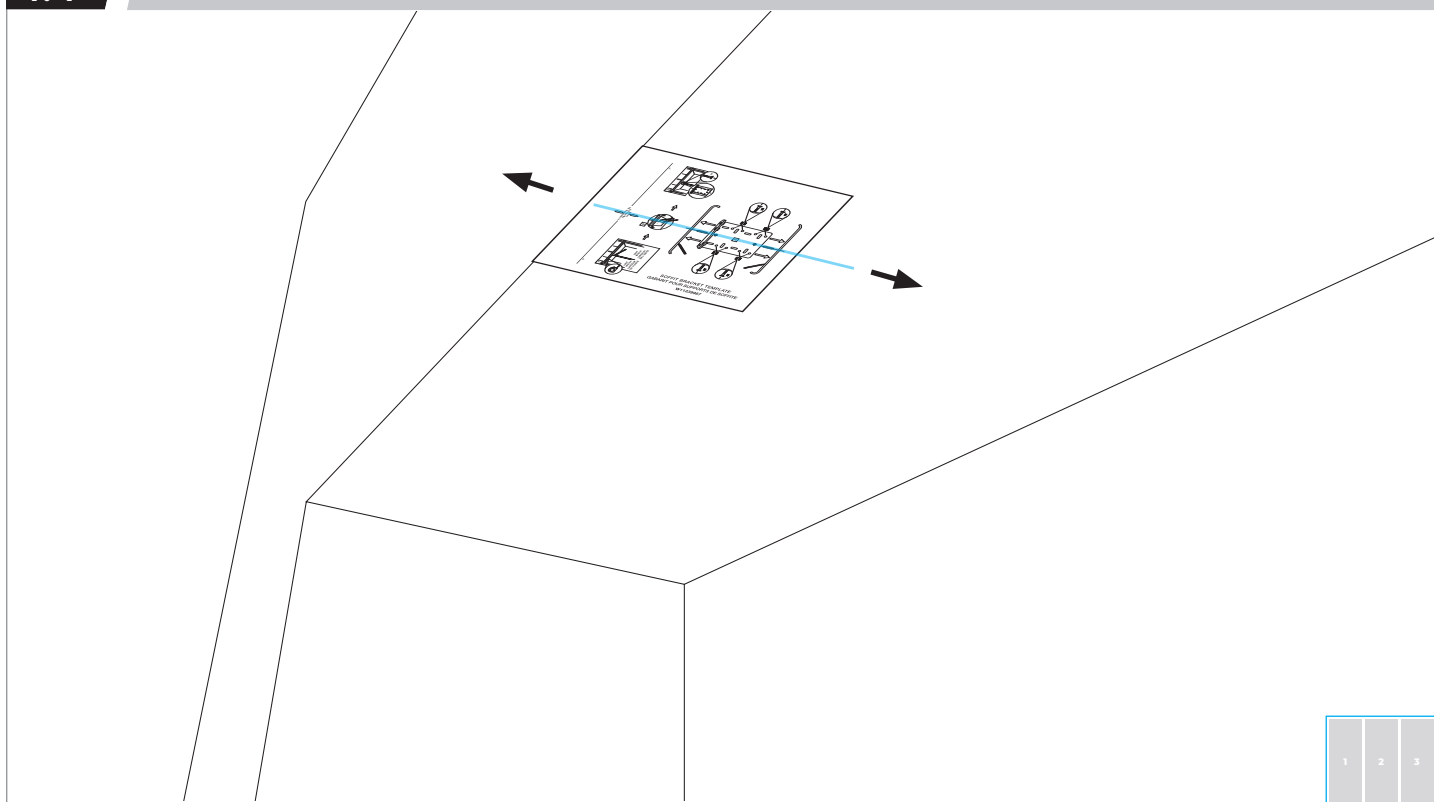
4.3

ALIGNER LA FENTE CENTRALE DU GABARIT DE BRIDE AVEC LA LIGNE DE LARGEUR.



4.4

ALIGNER LA LIGNE DU TYPE DE PORTE DÉJÀ SÉLECTIONNÉ AVEC LE DEVANT DE L'ARMOIRE.

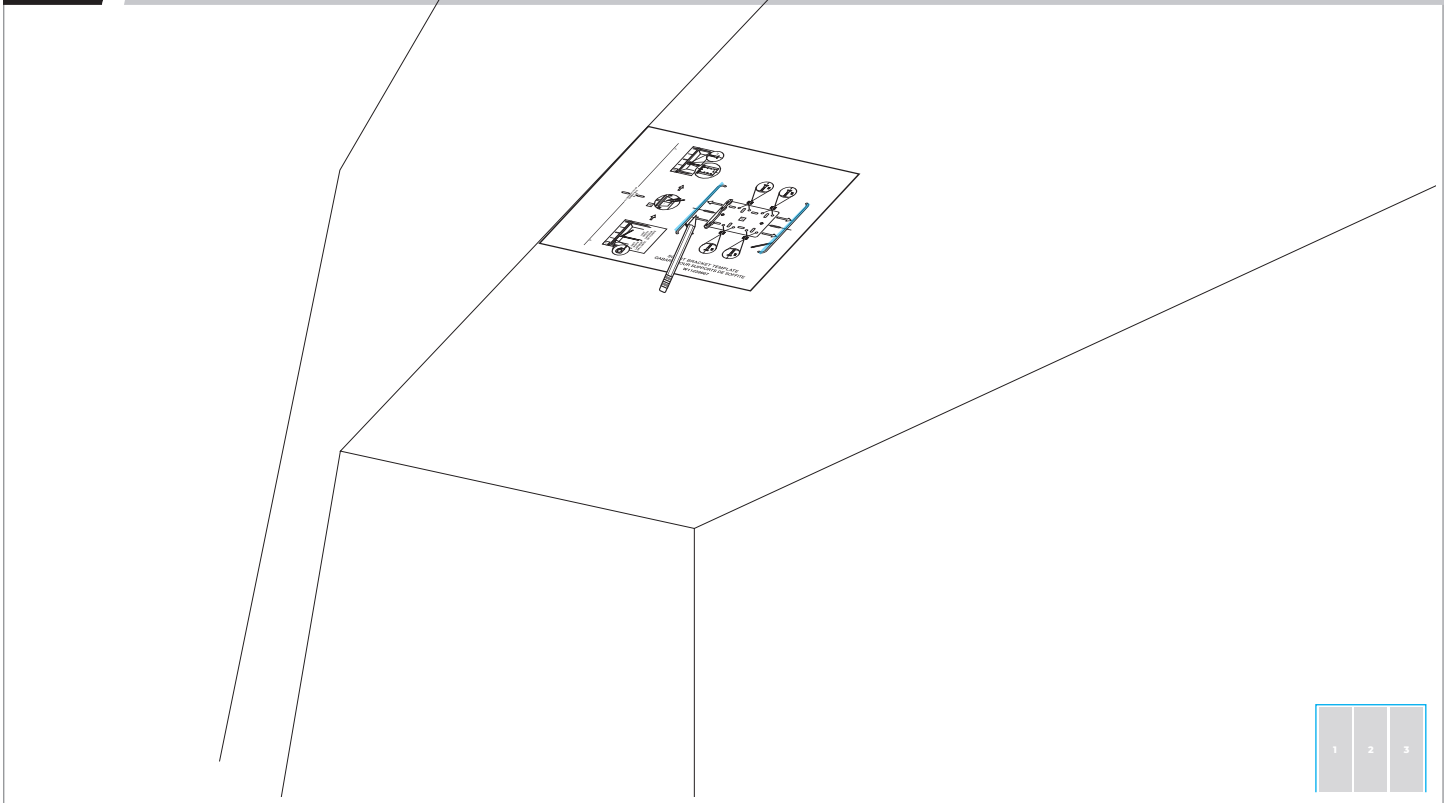


# 4

## INSTALLATION DE LA BRIDE BADASS

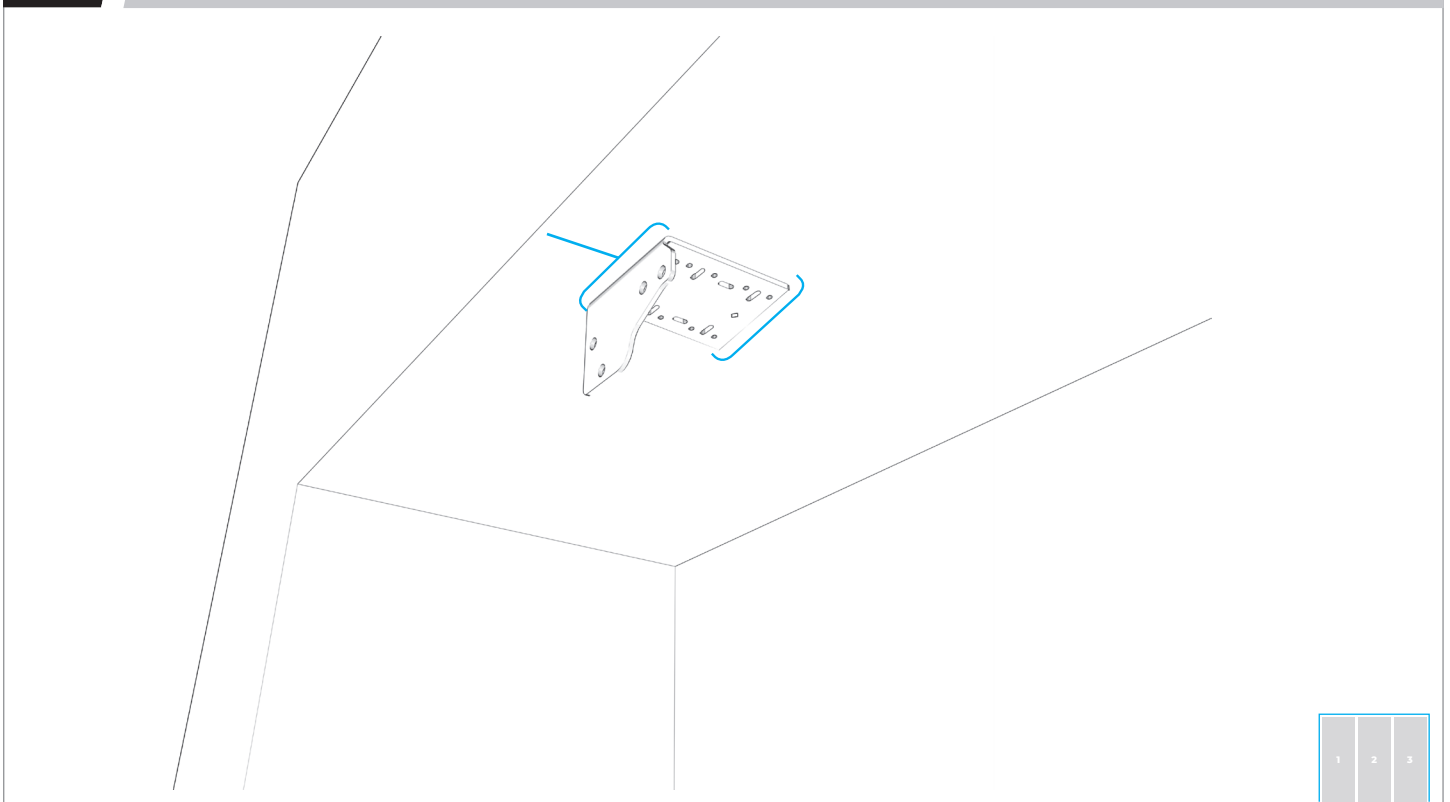
### 4.5

MARQUER DEUX LIGNES.



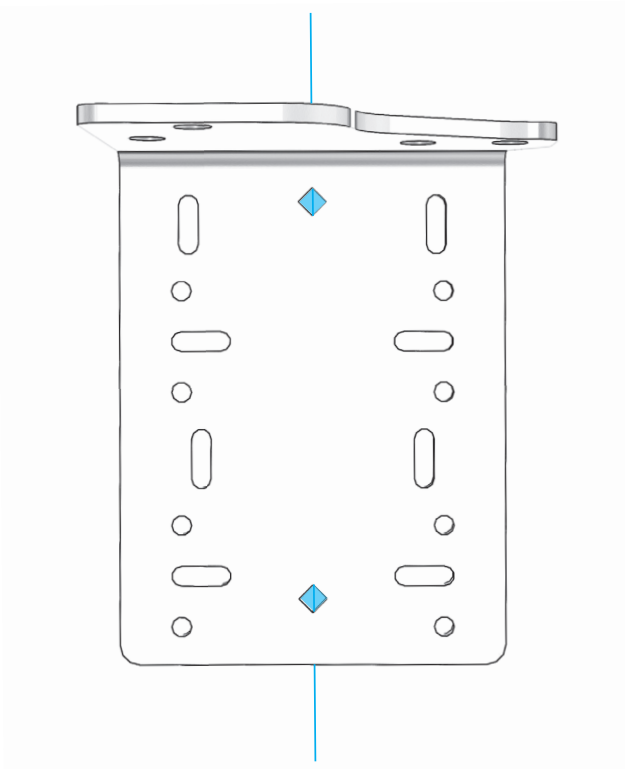
### 4.6

ALIGNER LA BRIDE.



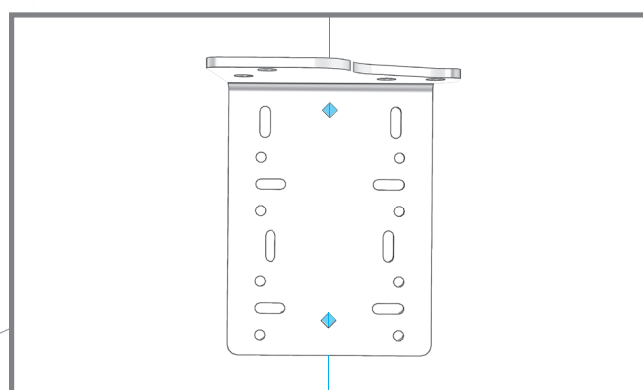
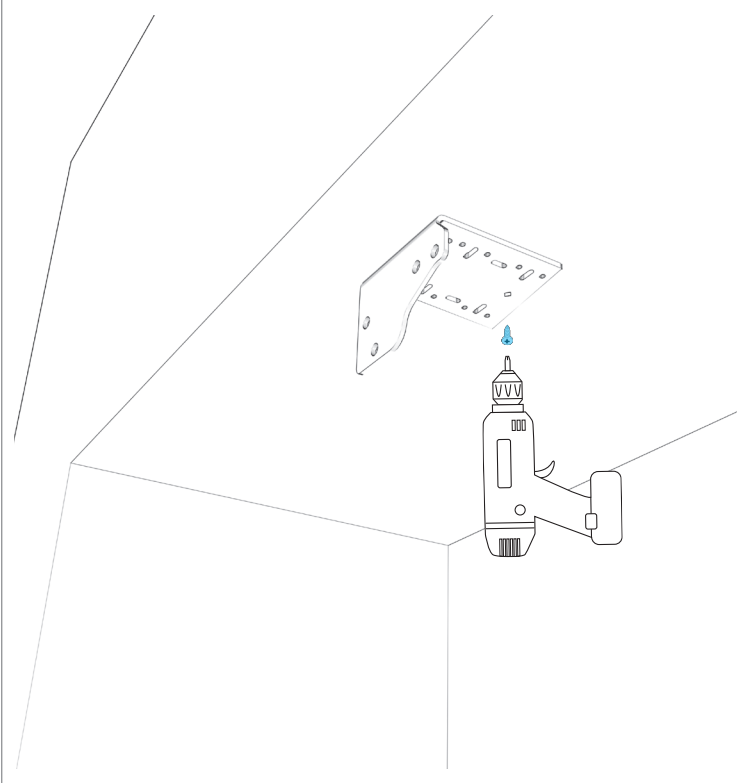
4.7

ALIGNER LES POINTS DES TROUS EN FORME DE DIAMANT ET LA LIGNE DE LARGEUR.



4.8

FIXER SANS SERRER LA BRIDE AU SOFFITE.



Embout de perceuse  
de 5 mm

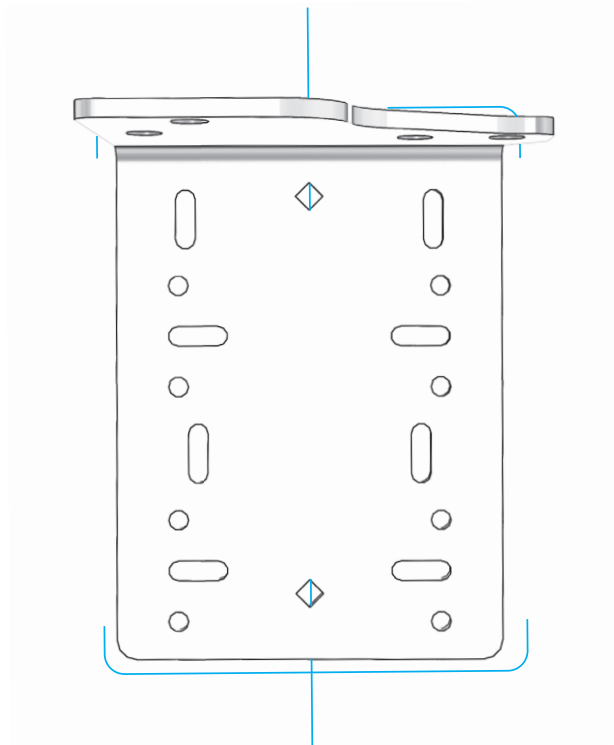


# 4

## INSTALLATION DE LA BRIDE BADASS

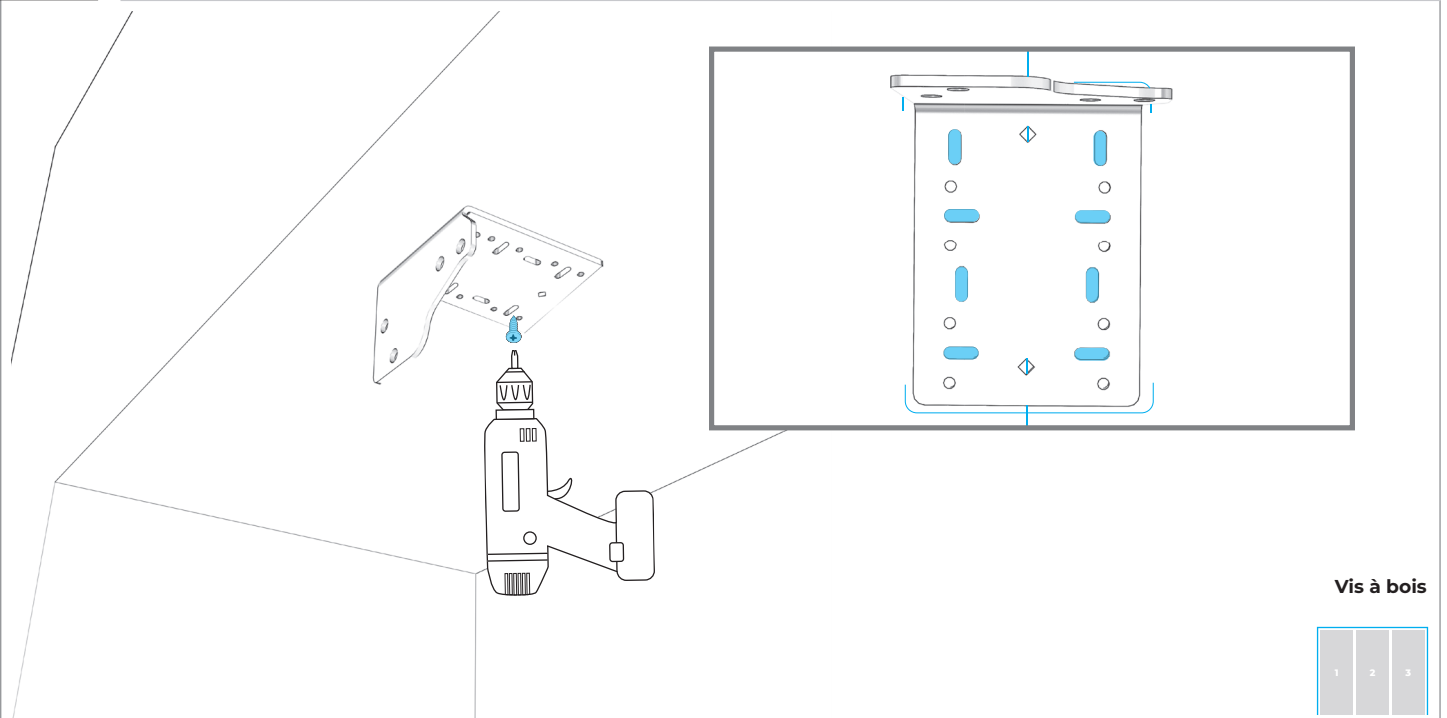
### 4.9

ALIGNER DE NOUVEAU LES BORDS DE LA BRIDE AVEC LES LIGNES D'ALIGNEMENT.



### 4.10

SERRER 8 VIS.



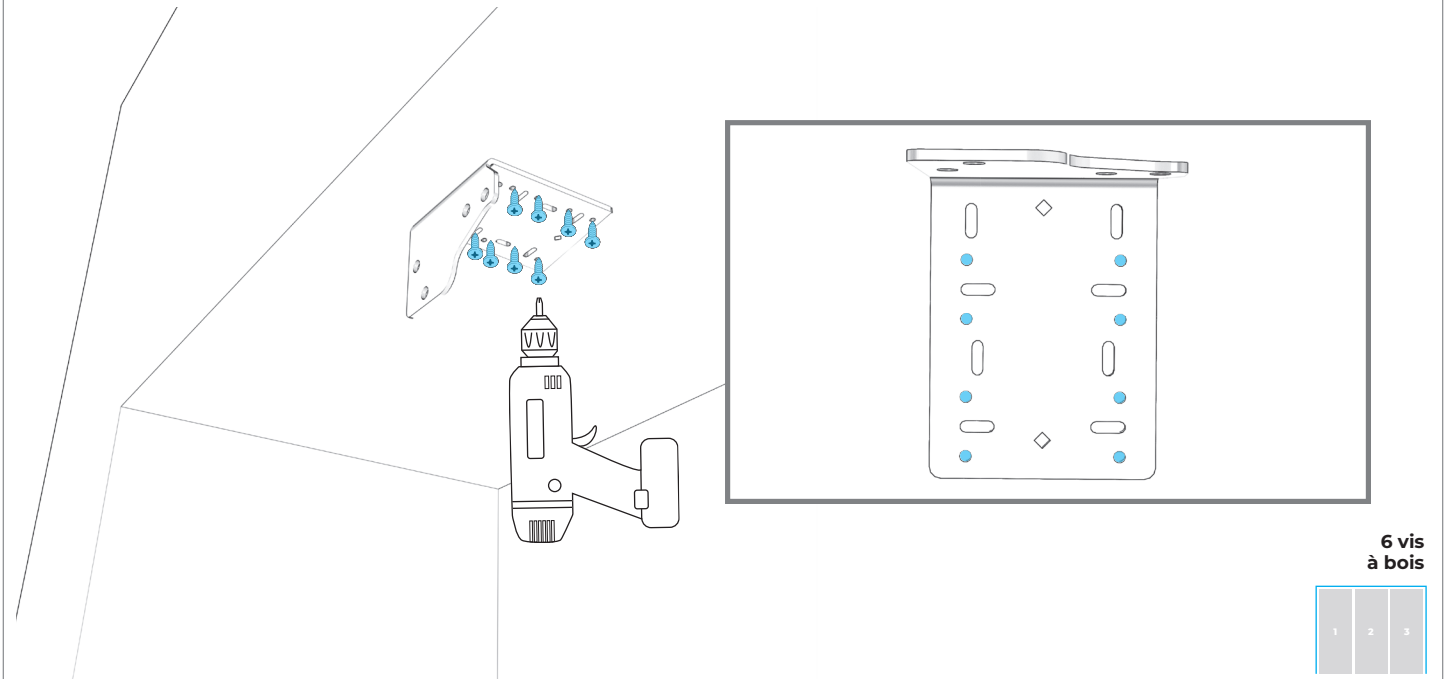
Vis à bois



UTILISER DES VIS À BOIS D'UNE LONGUEUR CONVENABLE

4.11

FIXER LA BRIDE À L'ARMOIRE EN UTILISANT LES TROUS ROUNDS.



6 vis  
à bois



UN MINIMUM DE SIX VIS DOIT ÊTRE UTILISÉ POUR FIXER LES BRIDES À L'ARMOIRE. L'APPAREIL POURRAIT BASCULER SI LES BRIDES NE SONT PAS BIEN FIXÉES.

4.12

SI SEULEMENT DEUX APPAREILS SONT INSTALLÉS :

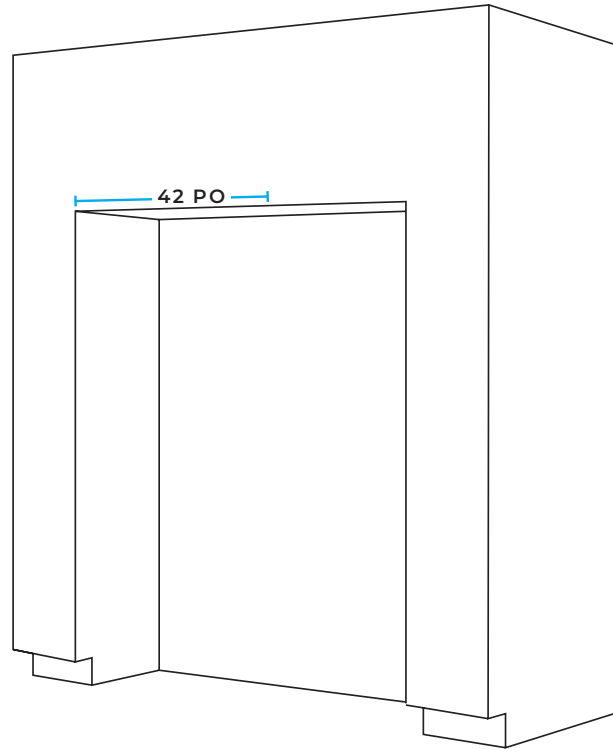
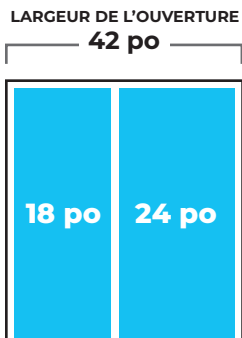
**PASSER À LA SECTION 5**

# 4

## INSTALLATION DE LA BRIDE BADASS

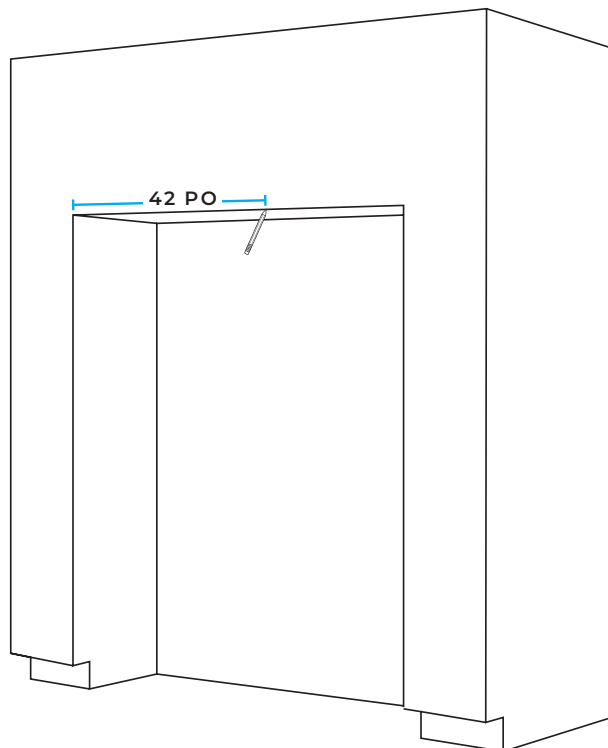
### 4.13

SI TROIS APPAREILS SONT INSTALLÉS : AJOUTER LA LARGEUR DU DEUXIÈME APPAREIL À CELLE DU PREMIER.



### 4.14

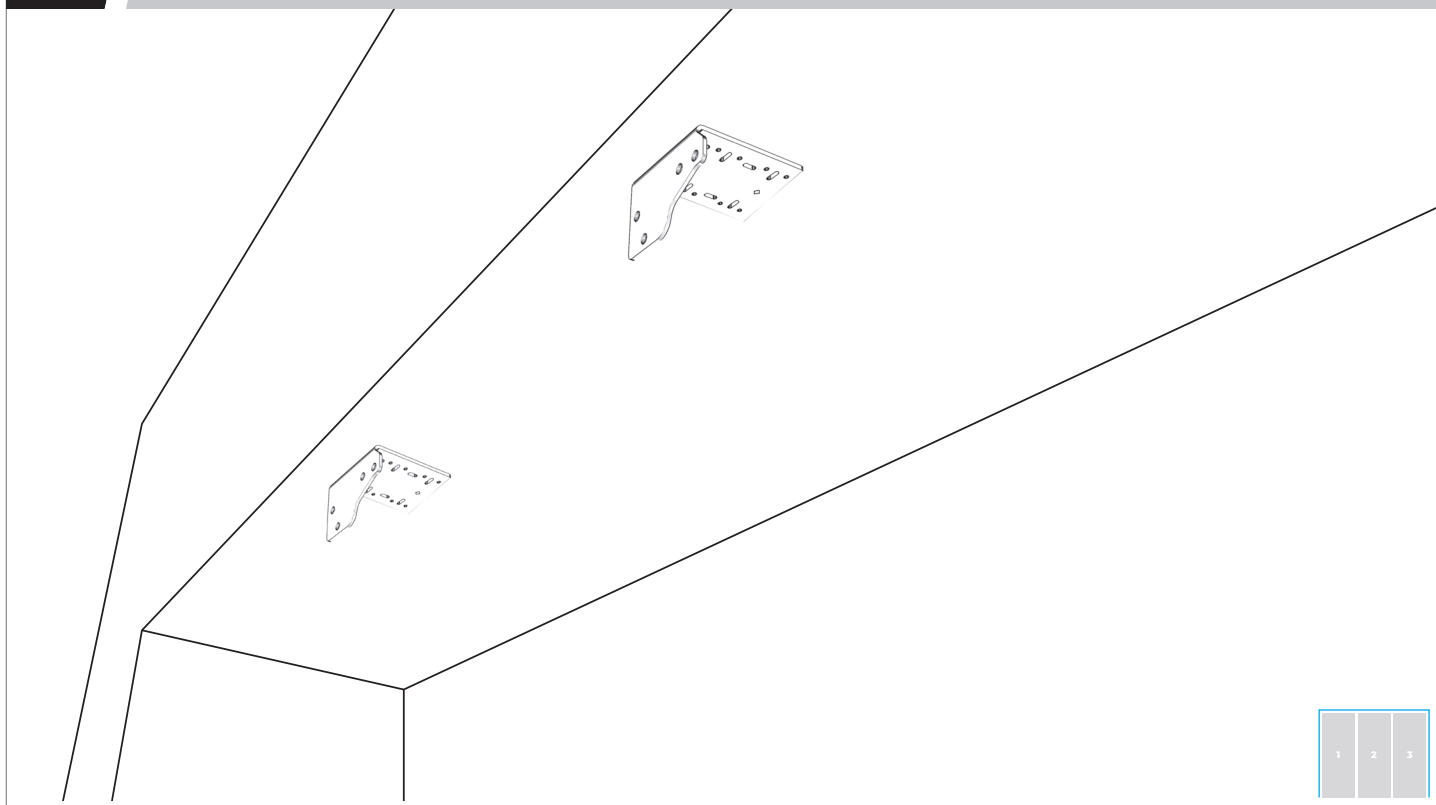
TRACER UNE LIGNE À LA LARGEUR MESURÉE.





4.15

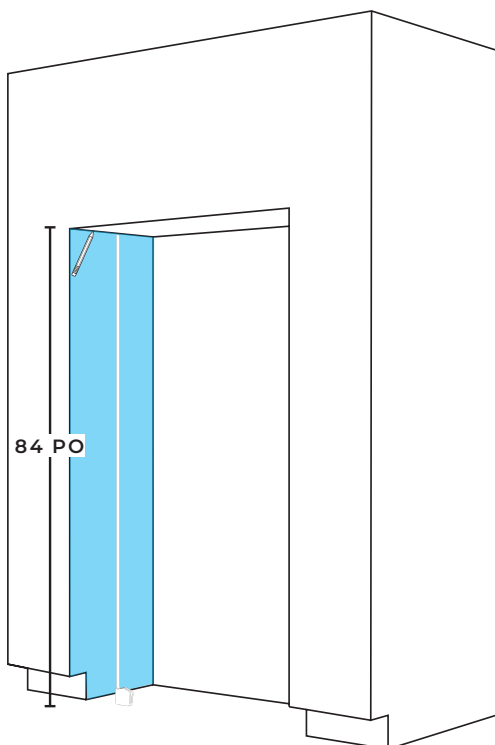
EFFECTUER LES ÉTAPES 4,2 À 4,11.



PRÉPARATION  
DU MEUBLE

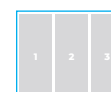
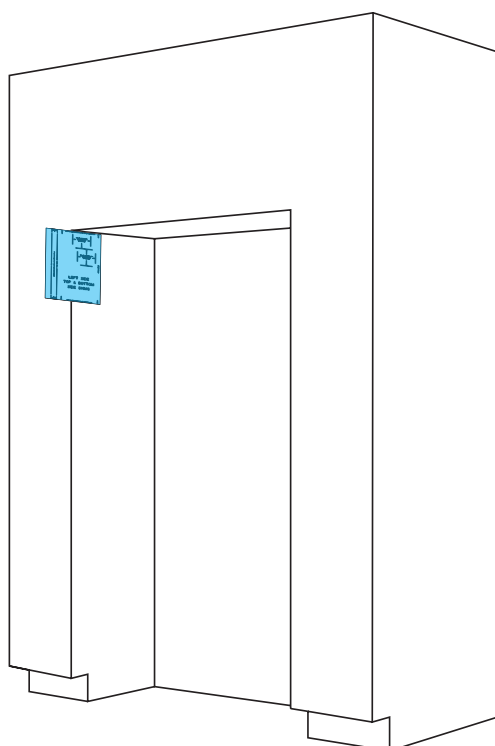
5.1

MESURER ET MARQUER UNE LIGNE POUR LE PANNEAU DE GAUCHE.



5.2

PLACER LE GABARIT SUR LE PANNEAU DE GAUCHE.

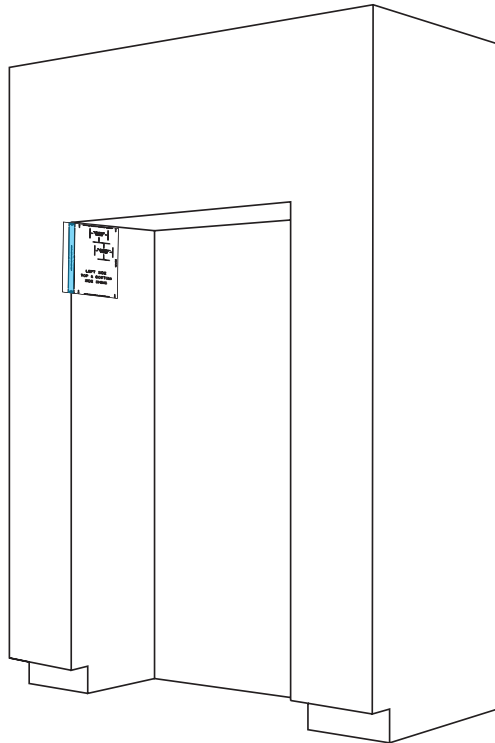


# 5

## PRÉPARATION DU MEUBLE

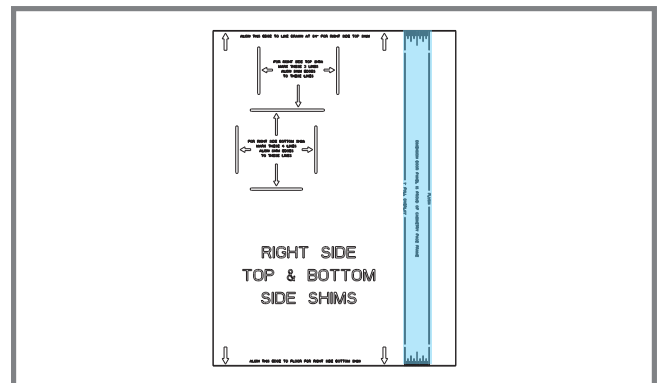
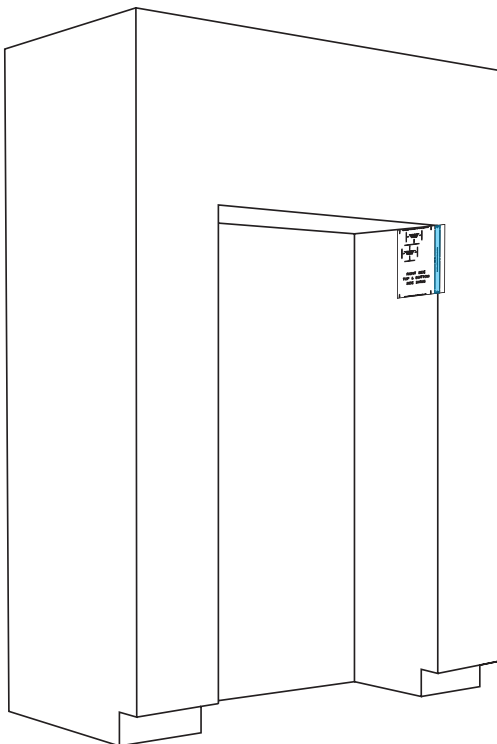
### 5.3

ALIGNER LA LIGNE DE STYLE DE PORTE AVEC LE DEVANT DE L'ARMOIRE ET MARQUER  
LES LIGNES D'ALIGNEMENT.



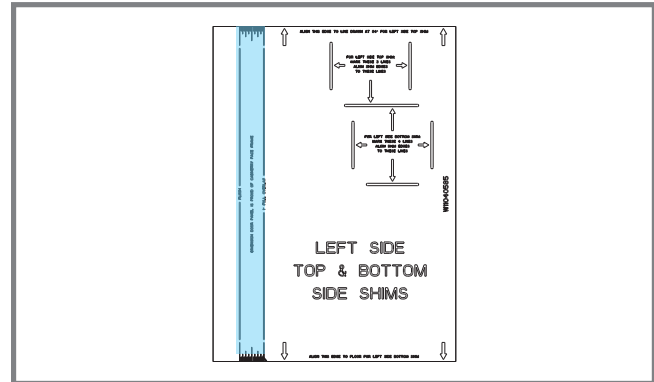
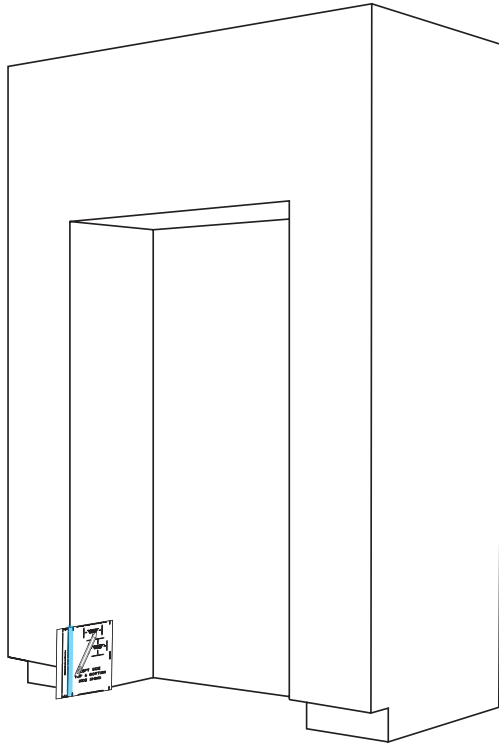
### 5.4

RÉPÉTER LES ÉTAPES 5,1 À 5,3 POUR LE PANNEAU DE DROITE.



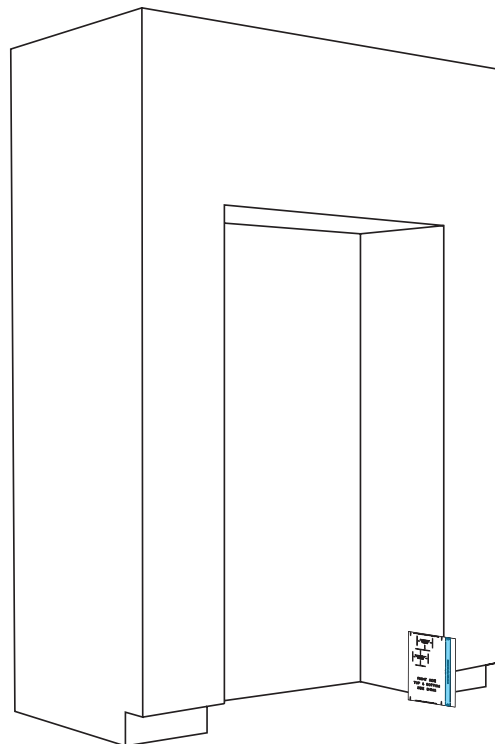
5.5

PLACER ET ALIGNER LE GABARIT SUR LA SECTION INFÉRIEURE DU PANNEAU DE GAUCHE, MARQUER LES LIGNES D'ALIGNEMENTS DE CALES.



5.6

RÉPÉTER L'ÉTAPE 5,5 POUR LE PANNEAU DE DROITE.

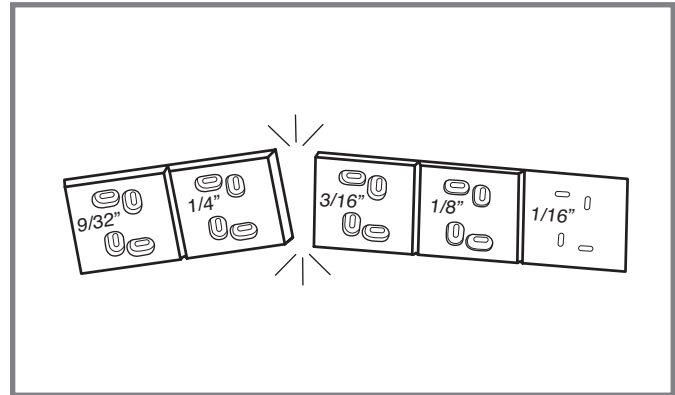
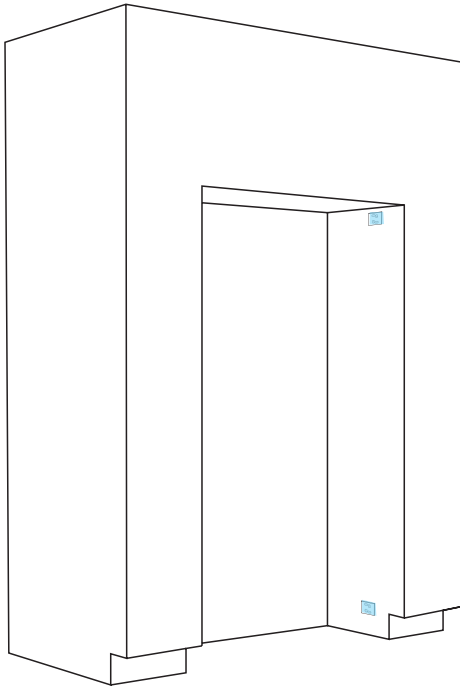


# 5

## PRÉPARATION DU MEUBLE

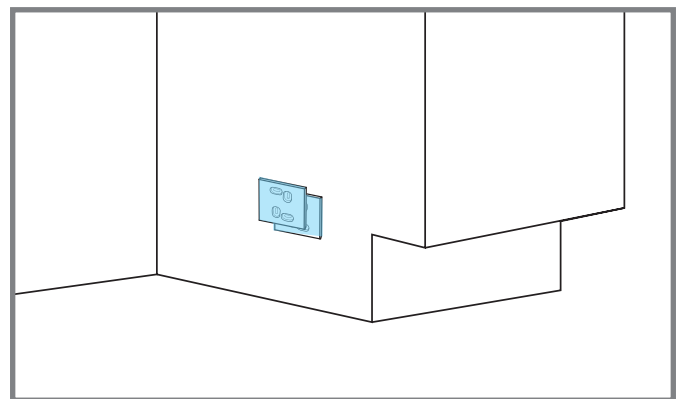
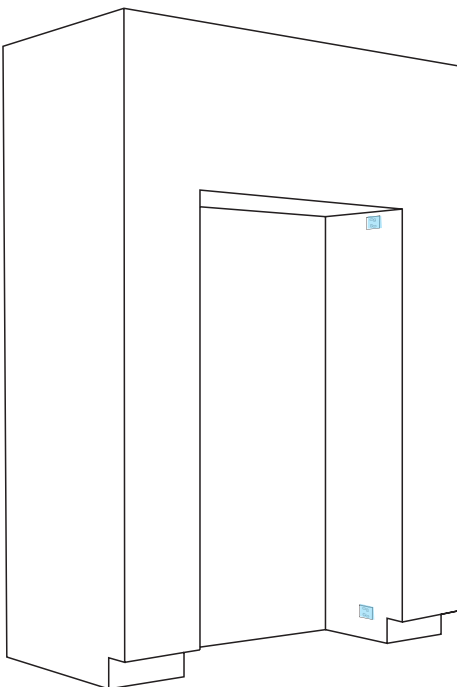
### 5.7

SÉPARER LES CALES ROTTER EN RESPECTANT LES LONGUEURS.



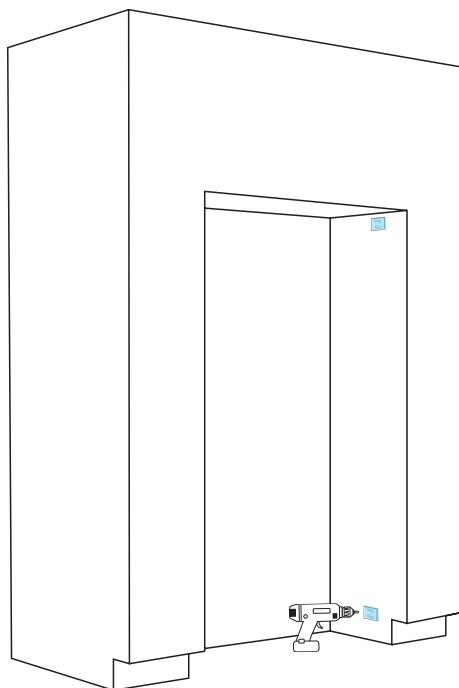
### 5.8

AJOUTER DES CALES AU BESOIN.



5.9

FIXER LES CALES AUX PANNEAUX LATÉRAUX (DEUX VIS REQUISES).



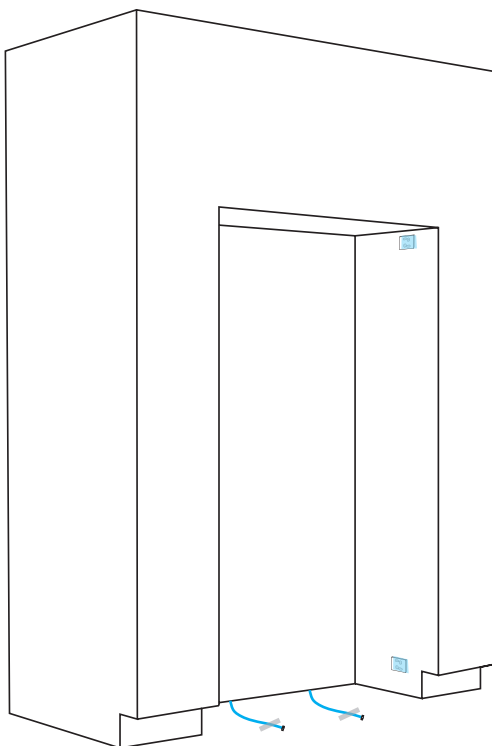
Vis à bois



UTILISER DES VIS À BOIS D'UNE LONGUEUR CONVENABLE

5.10

UTILISER DU RUBAN ADHÉSIF POUR FIXER LE TUYAU D'EAU AU PLANCHER.

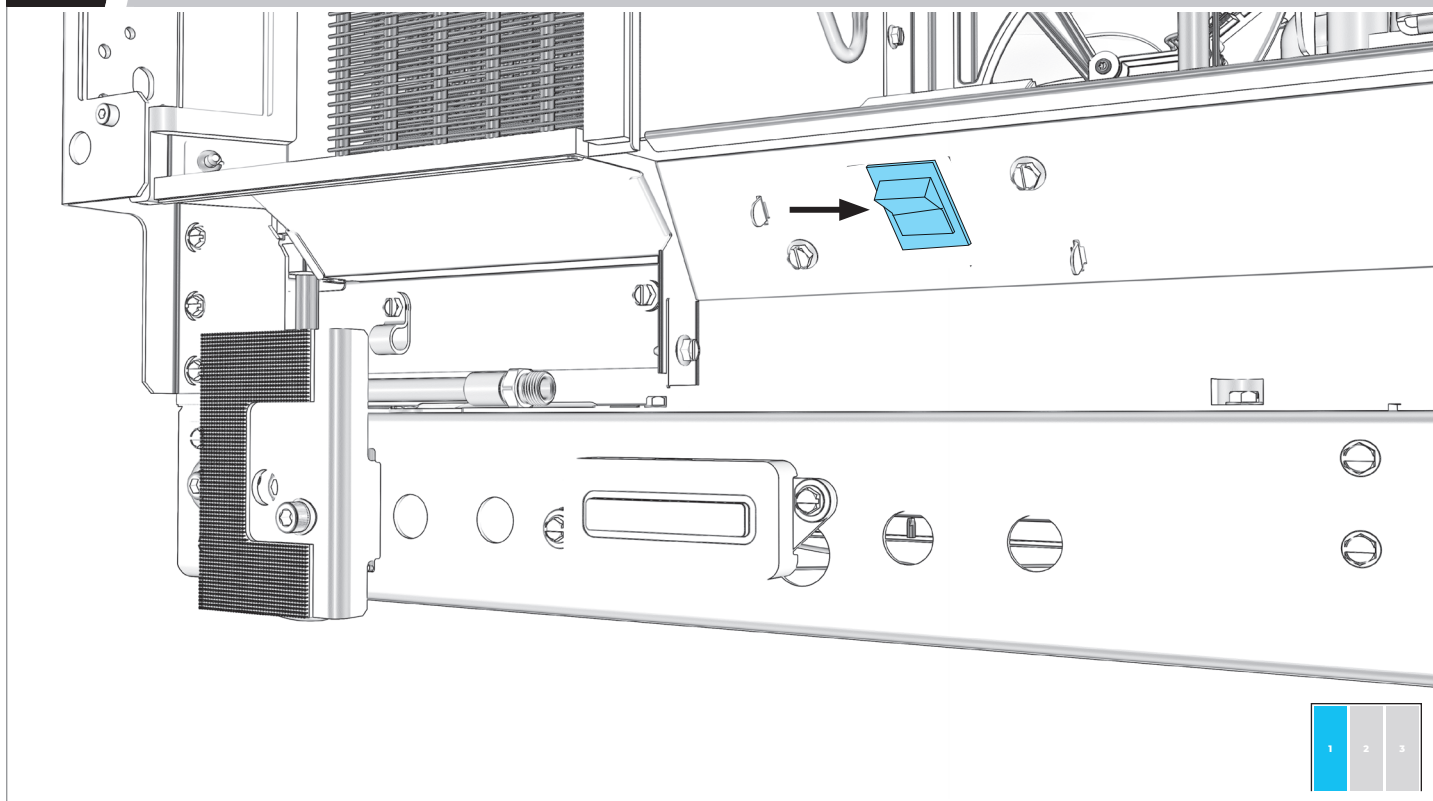


INSTALLATION DU  
**P R E M I E R**  
APPAREIL



6.1

ÉTEINDRE L'ALIMENTATION.



AVANT DE BRANCHER L'APPAREIL, LIRE LES AVERTISSEMENTS.

**⚠ AVERTISSEMENT**



**Risque de choc électrique**

**Brancher sur une prise à 3 alvéoles reliée à la terre.**

**Ne pas enlever la broche de liaison à la terre.**

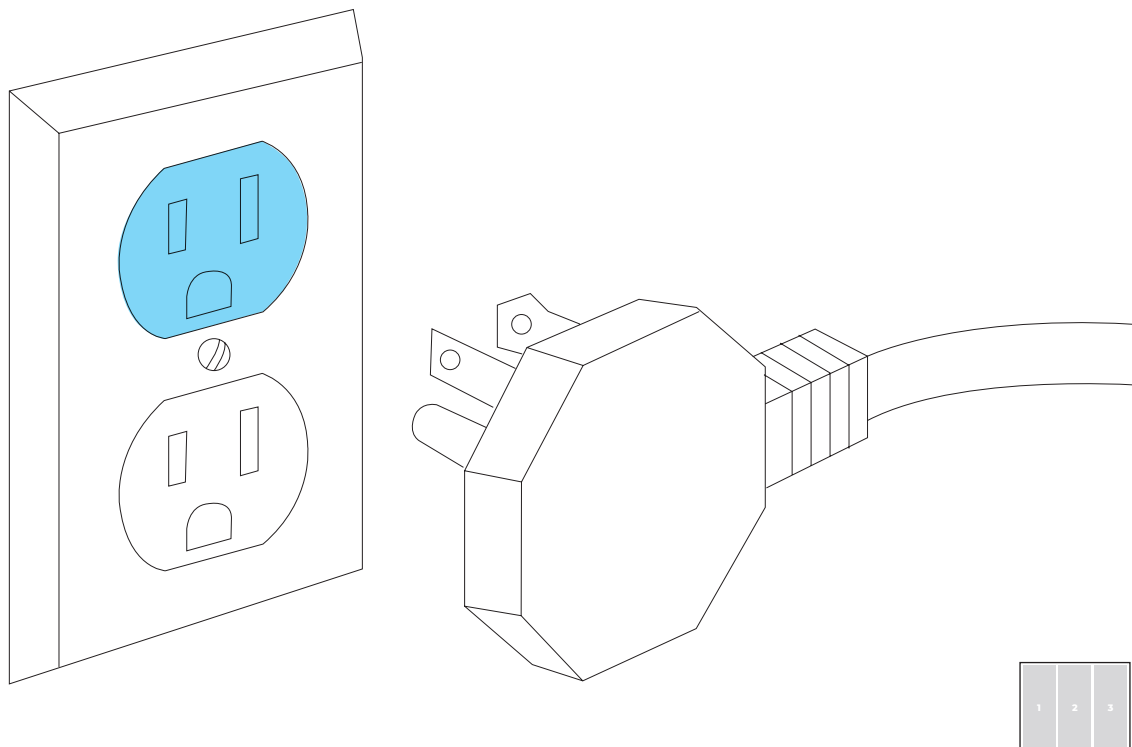
**Ne pas utiliser un adaptateur.**

**Ne pas utiliser un câble de rallonge.**

**Le non-respect de ces instructions peut causer un décès, un incendie ou un choc électrique.**

## 6.2

BRANCHER À UNE PRISE À TROIS ALVÉOLES RELIÉE À LA TERRE.



AVANT DE DÉPLACER L'APPAREIL, LIRE LES AVERTISSEMENTS.

**⚠ AVERTISSEMENT****Risque de basculement**

**Le réfrigérateur est lourd au sommet et bascule facilement lorsqu'il n'est pas complètement installé.**

**Garder les portes fermées avec un ruban adhésif jusqu'à l'installation complète du réfrigérateur.**

**Utiliser deux ou plus de personnes pour déplacer et installer le réfrigérateur.**

**Le non-respect de ces instructions peut causer un décès ou une blessure grave.**

**Déplacement de votre réfrigérateur :**

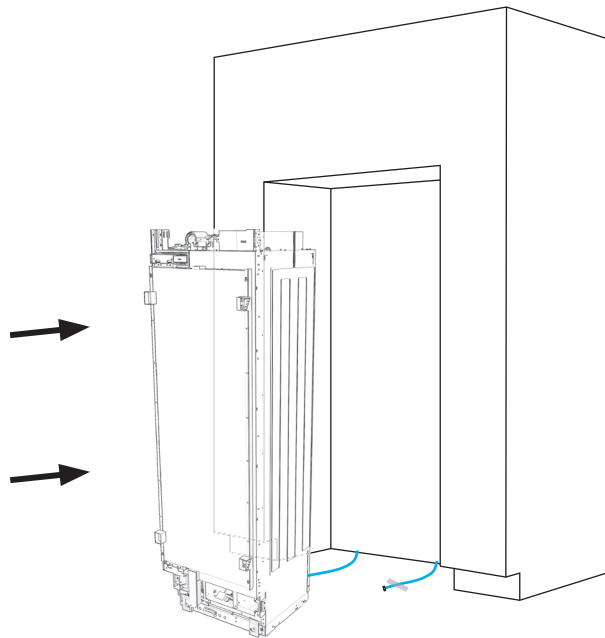
Votre réfrigérateur est lourd. Lors du déplacement de votre réfrigérateur pour le nettoyage ou un entretien ou réparation, veiller à recouvrir le plancher avec du carton ou un panneau de fibres dures pour éviter qu'il ne subisse tout dommage. Toujours tirer le réfrigérateur tout droit lors de son déplacement. Ne pas incliner le réfrigérateur d'un côté ou de l'autre ni le "faire marcher" en essayant de le déplacer car le plancher pourrait être endommagé.

**Importants renseignements à savoir au sujet des tablettes et des couvercles en verre :**

Ne pas nettoyer les tablettes ou couvercles en verre avec de l'eau tiède quand ils sont froids. Les tablettes et les couvercles peuvent se briser s'ils sont exposés à des changements soudains de température ou à un impact tel que coup brusque. Le verre trempé est conçu pour éclater en d'innombrables pièces minuscules. Ceci est normal. Les tablettes et les couvercles en verre sont lourds. Les saisir à deux mains lors de leur dépose afin d'éviter de les faire tomber.

6.3

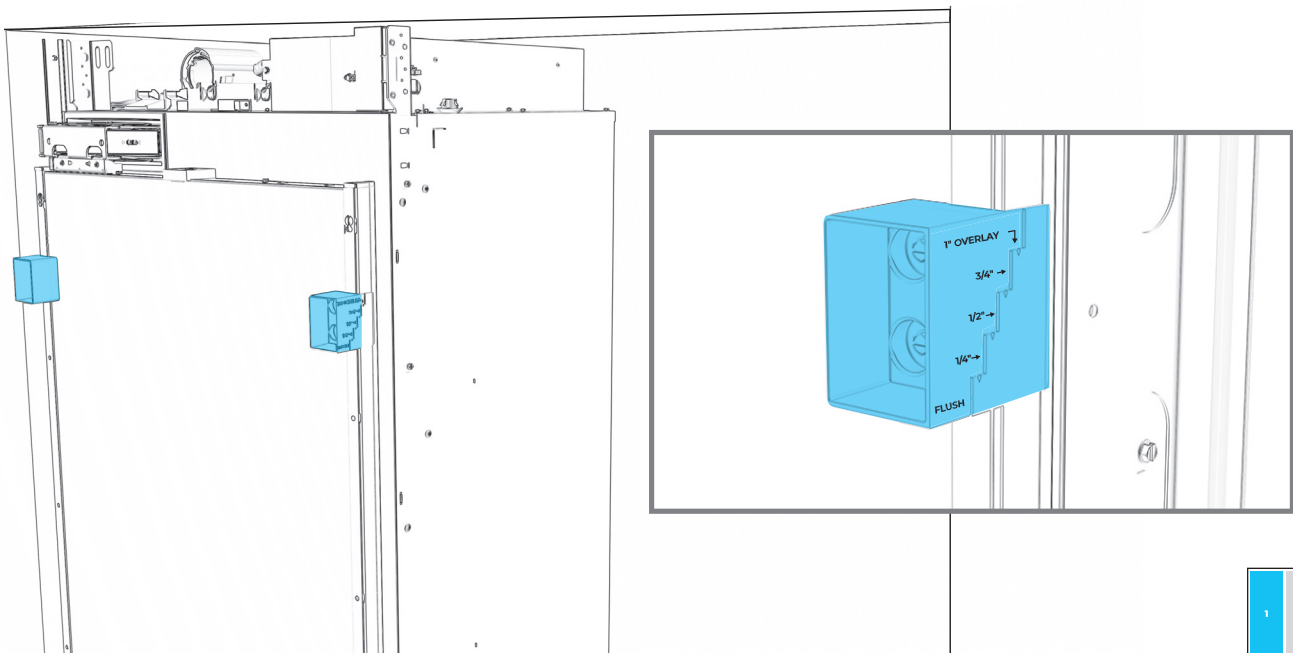
PLACER L'APPAREIL DANS L'OUVERTURE.



NE PAS ENDOMMAGER LE TUYAU D'EAU.

6.4

UTILISER UN GABARIT DE PROFONDEUR (SELON LE STYLE DE PORTE).

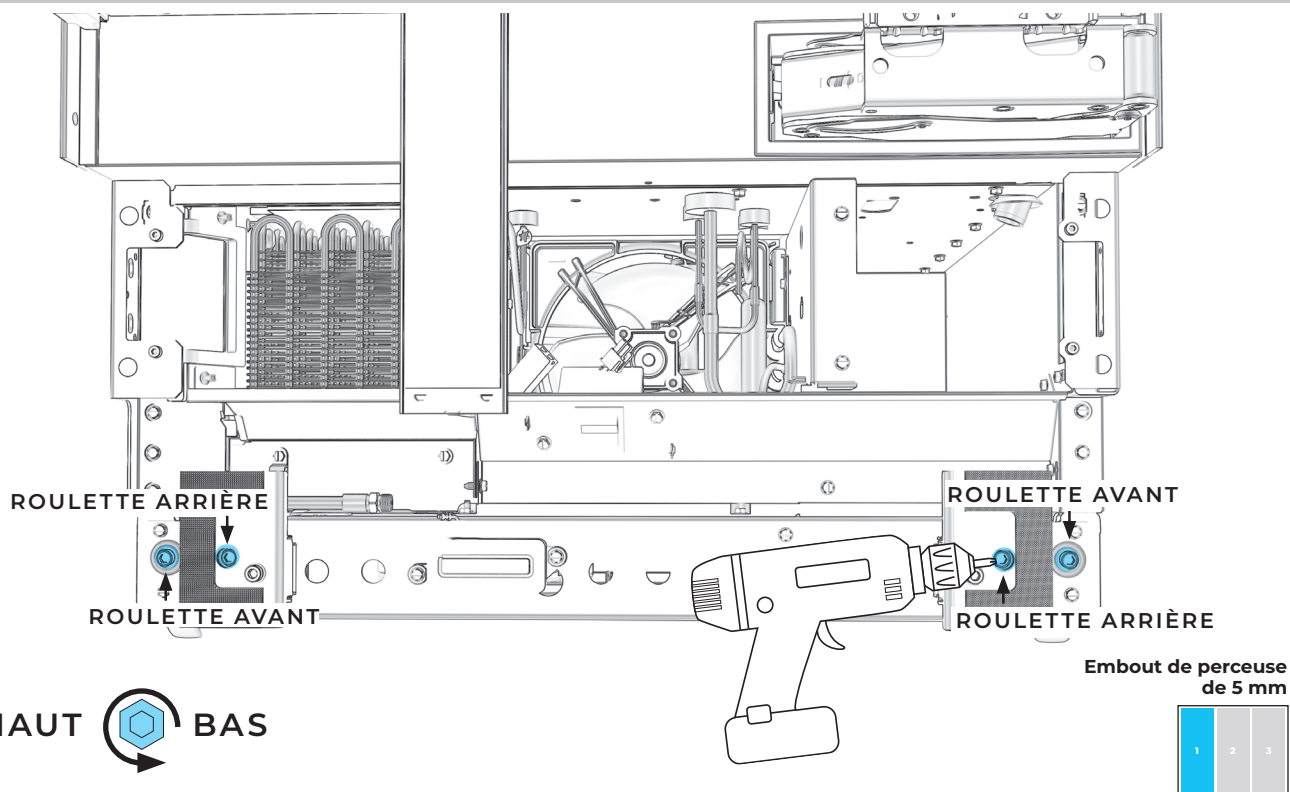


# 6

## INSTALLATION DU PREMIER APPAREIL

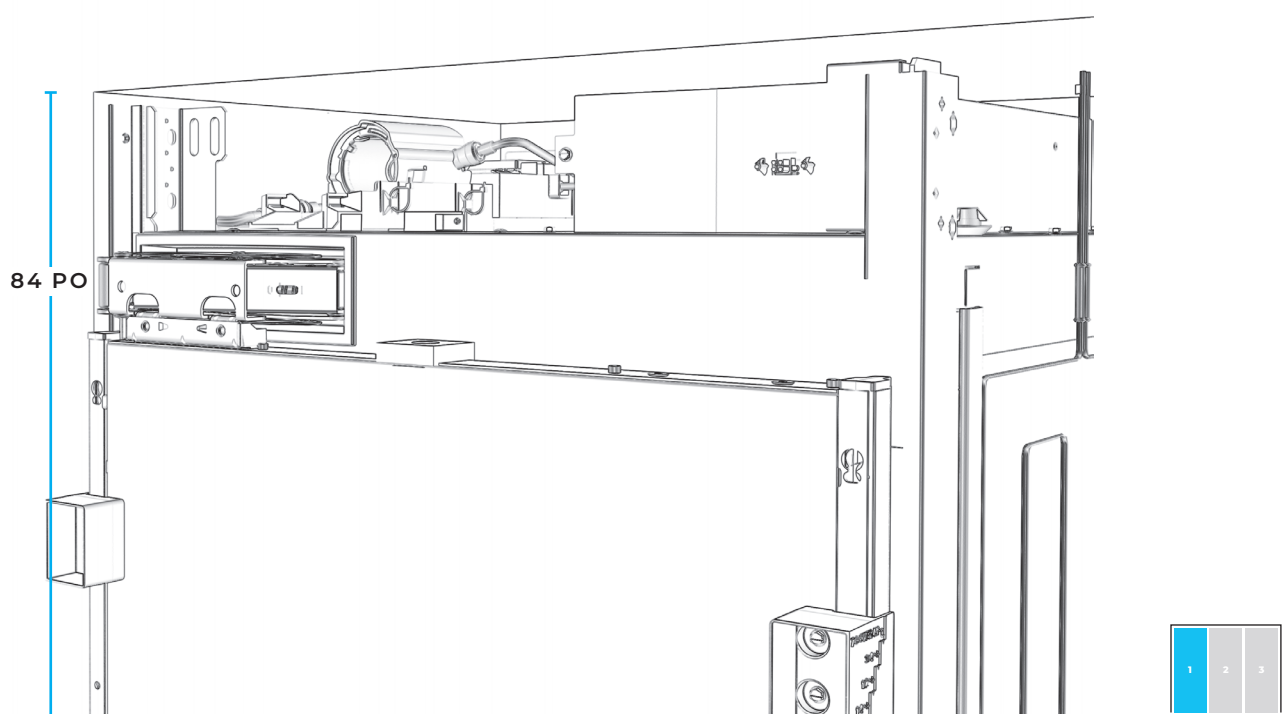
### 6.5

FAIRE SORTIR LES ROULETTES UNE À UNE.



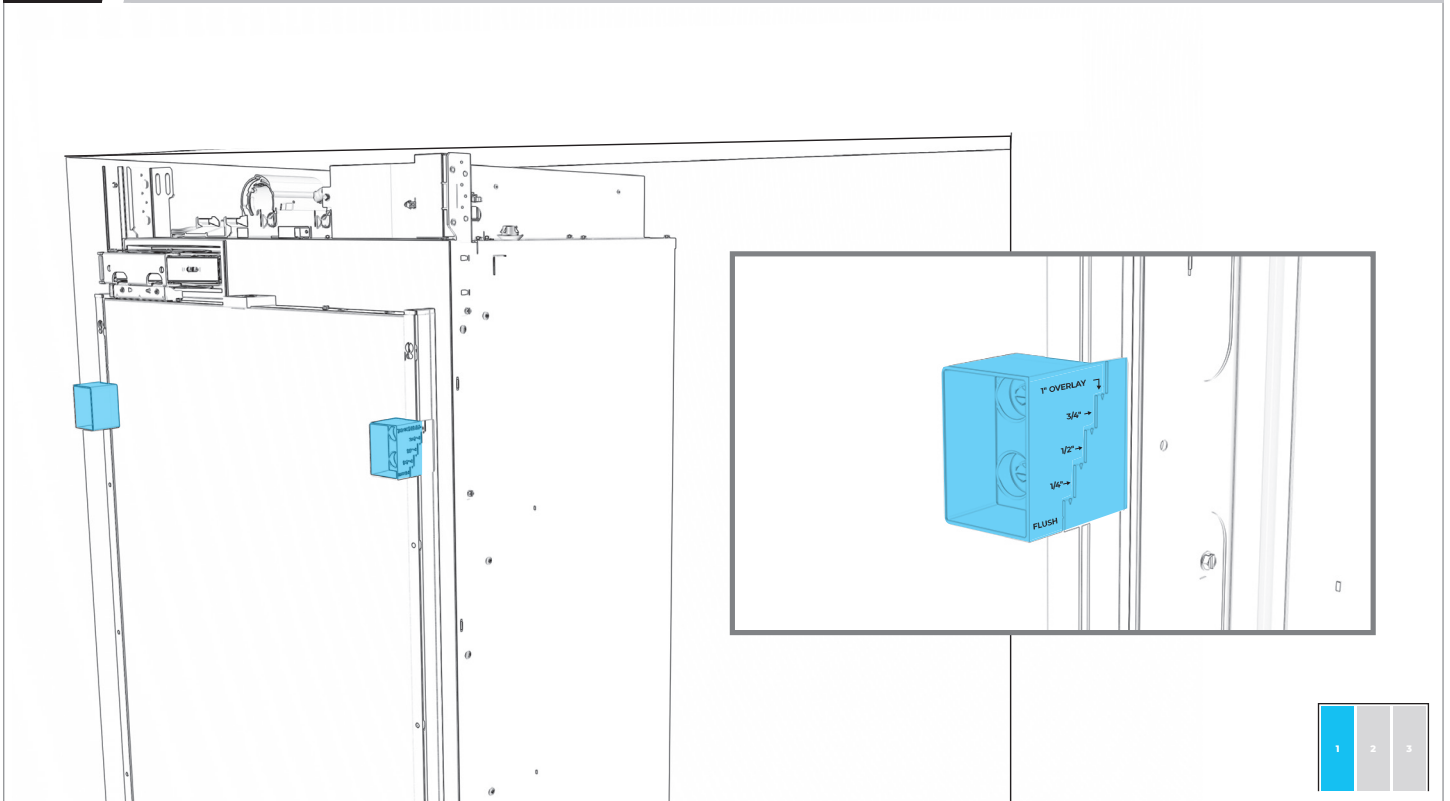
### 6.6

S'ASSURER QUE LE SUPPORT D'INSTALLATION EST ALIGNÉ AVEC LA LIGNE DE 84 PO.



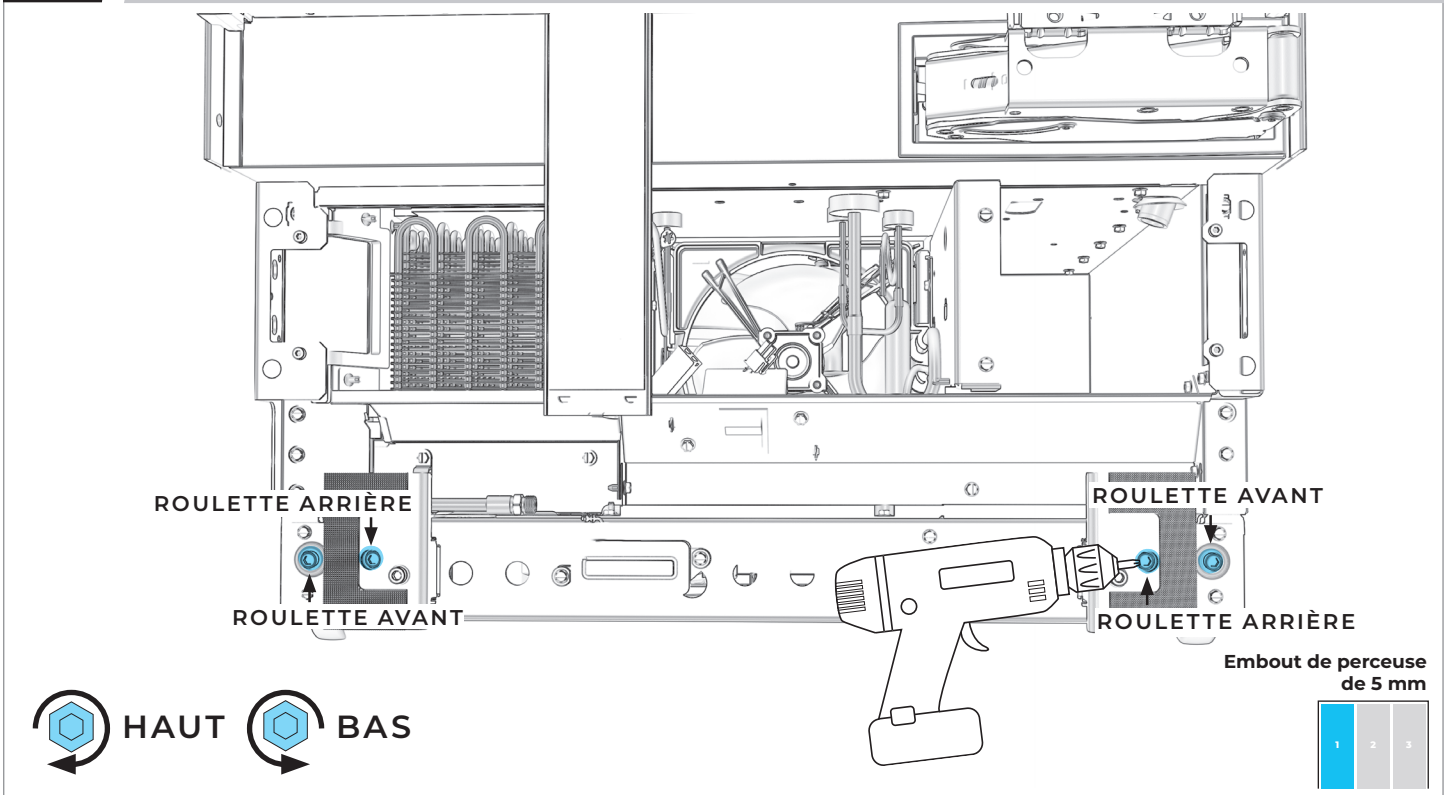
6.7

VÉRIFIER QUE LES GABARITS DE PROFONDEUR INDIQUENT LA MÊME PROFONDEUR.



6.8

AJUSTER LES ROULETTES JUSQU'À CE QUE LES GABARITS DE PROFONDEUR SOIENT IDENTIQUES.

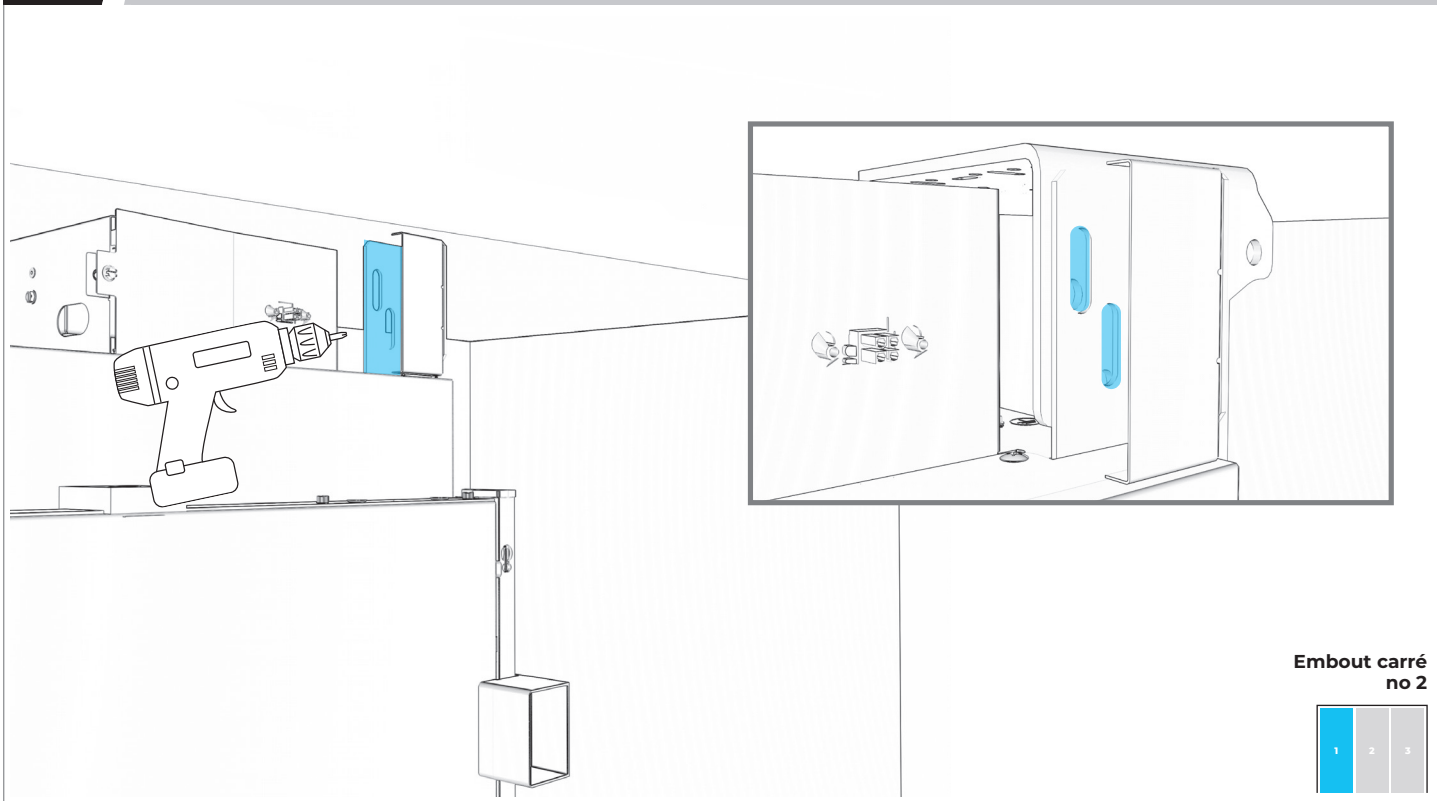


# 6

## INSTALLATION DU PREMIER APPAREIL

### 6.9

PLACER SANS SERRER DES VIS DANS LE SUPPORT D'INSTALLATION ET LA BRIDE BADASS DE SOFFITE.

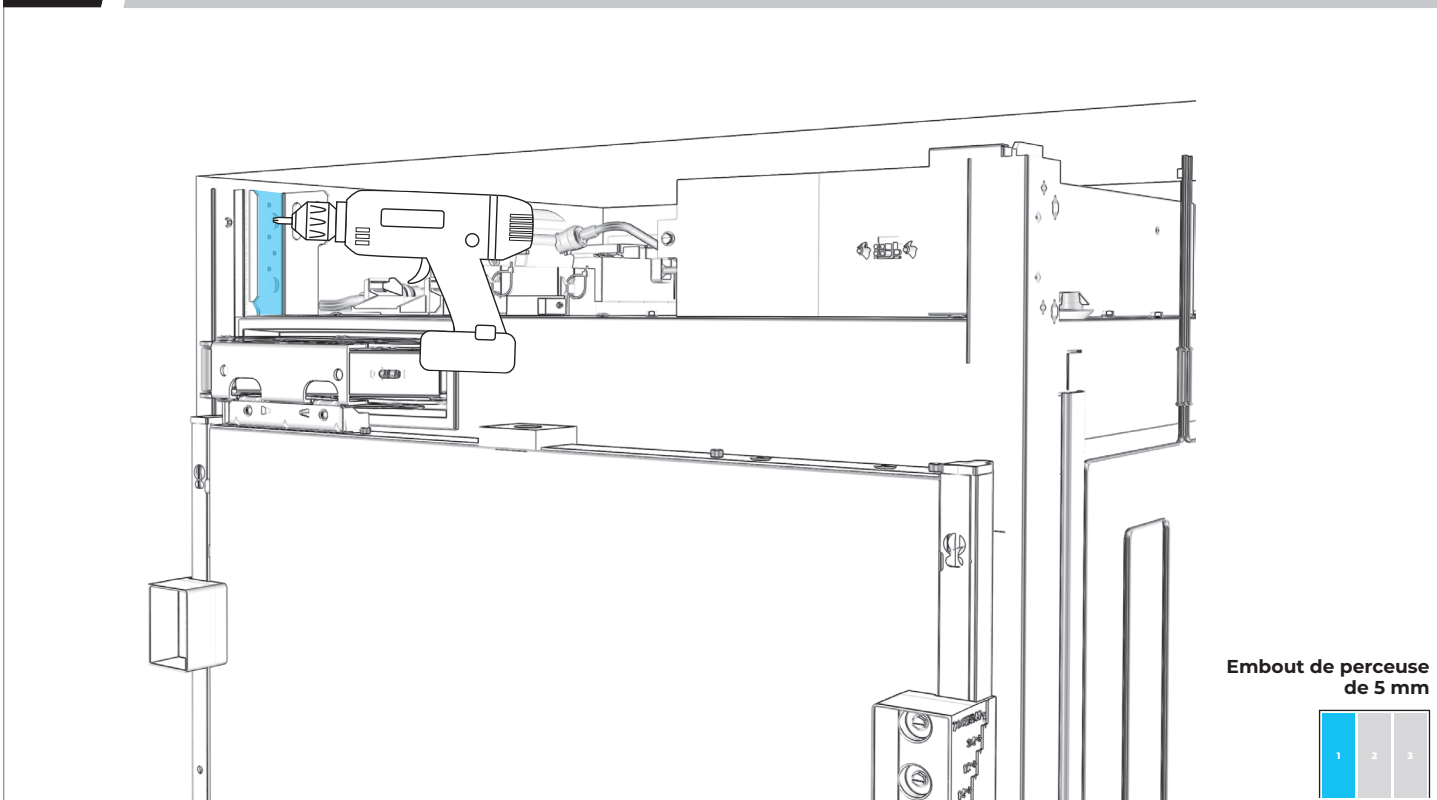


Embout carré no 2

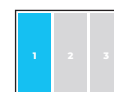


### 6.10

FIXER LE SUPPORT D'INSTALLATION SUPÉRIEUR AU MEUBLE.

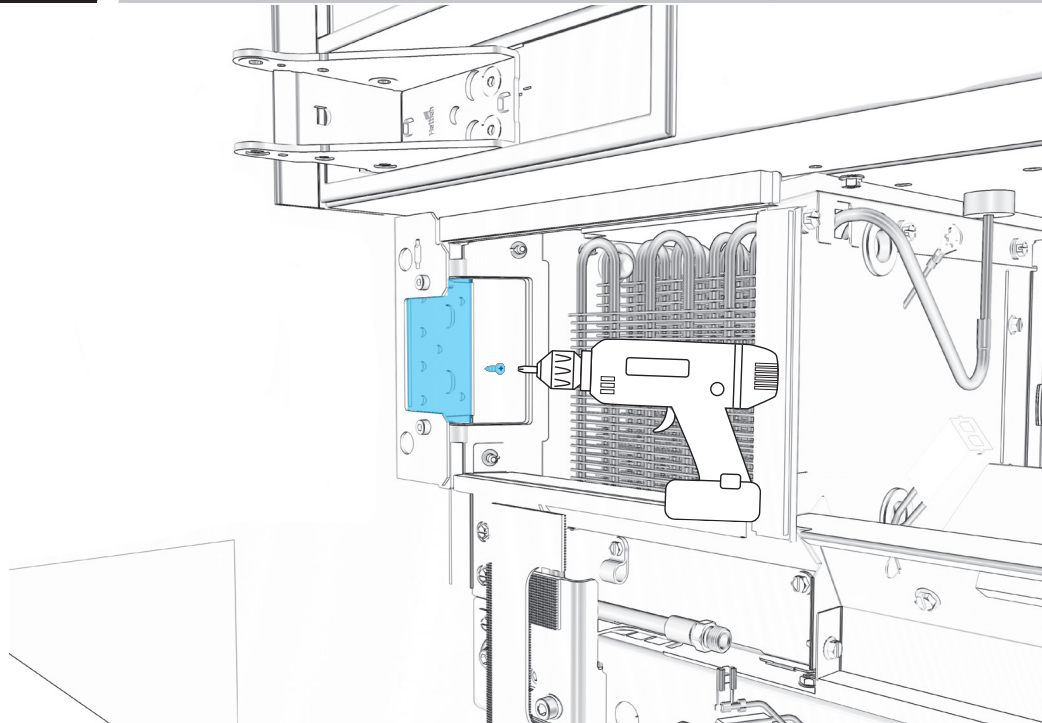


Embout de perceuse de 5 mm

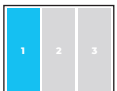


6.11

FIXER LE SUPPORT D'INSTALLATION INFÉRIEUR AU MEUBLE.



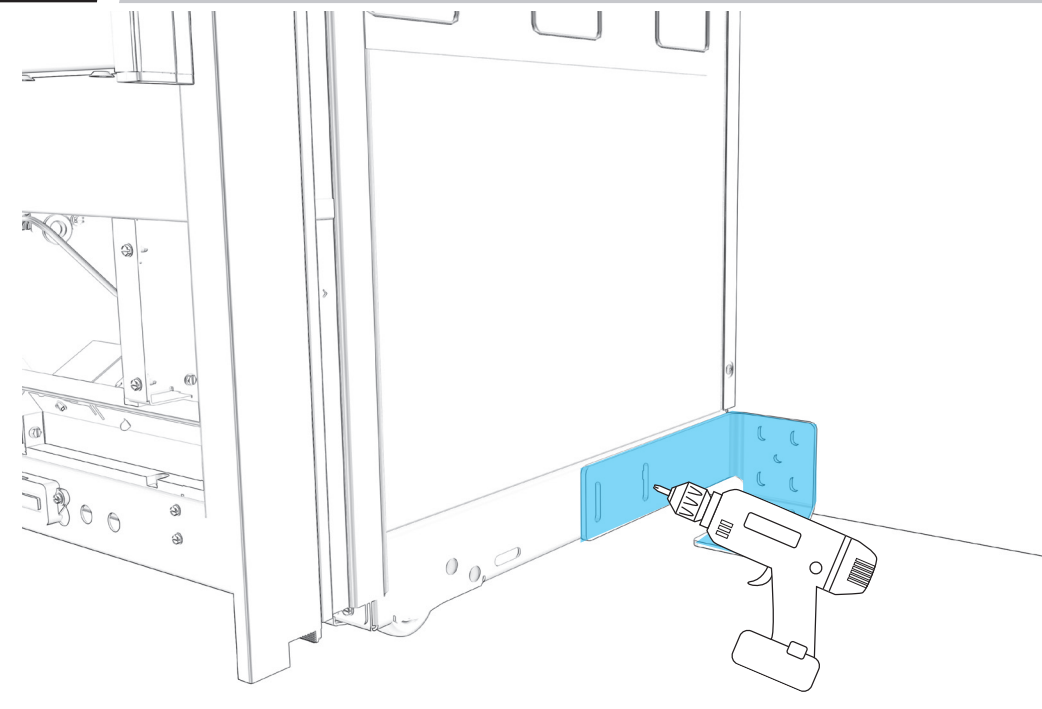
Vis à bois



UTILISER DES VIS À BOIS D'UNE LONGUEUR CONVENABLE.

6.12

PLACER LES SUPPORTS AU PLANCHER ET AU MUR.



Embout de perceuse  
de 5 mm



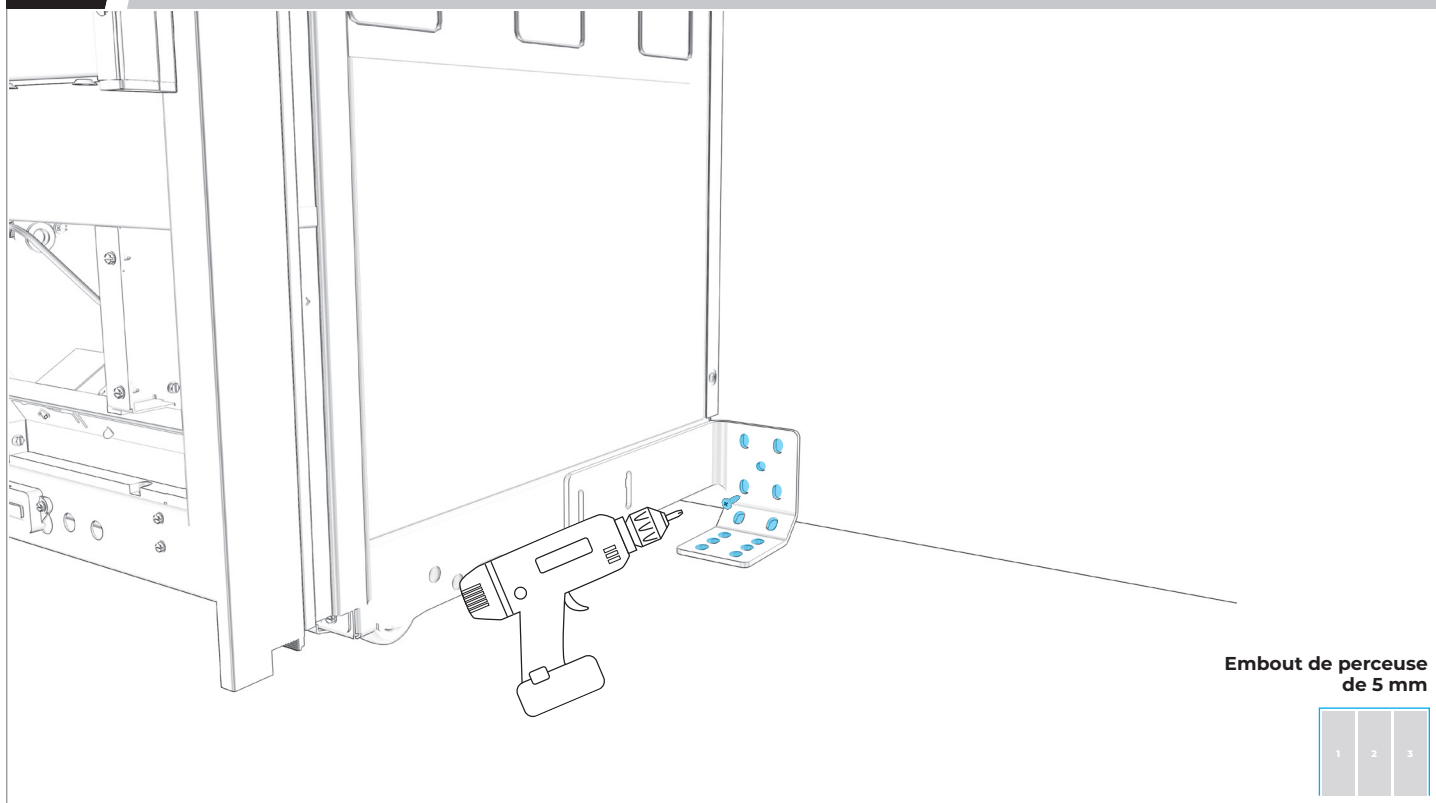
ÉVALUER LES MATÉRIAUX DE FABRICATION DU MUR ET DU PLANCHER.

# 6

## INSTALLATION DU PREMIER APPAREIL

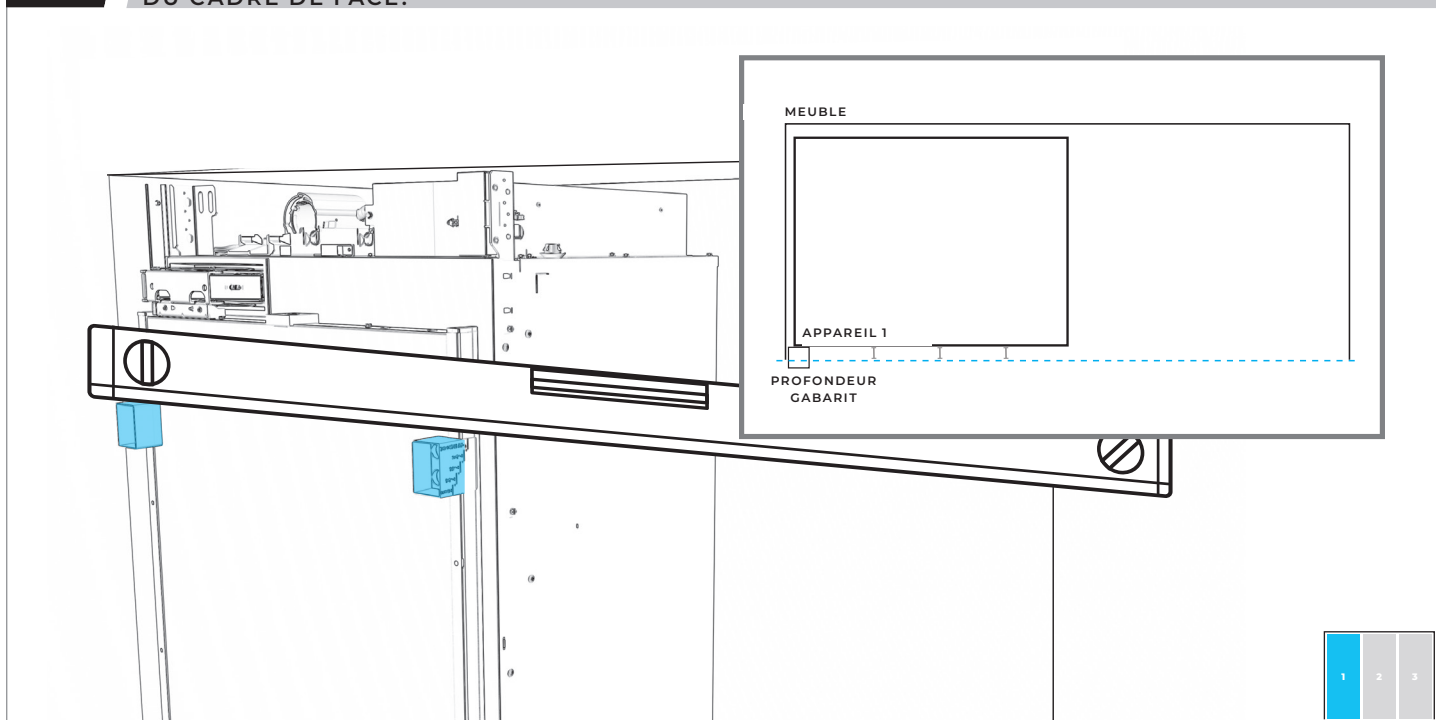
### 6.13

FIXER LE SUPPORT DE POSITIONNEMENT EN UTILISANT AUTANT DE FENTES QUE POSSIBLE.



### 6.14

UTILISER UN NIVEAU POUR VÉRIFIER LA PROFONDEUR À PLUSIEURS EMPLACEMENTS À PARTIR DU CADRE DE FACE.

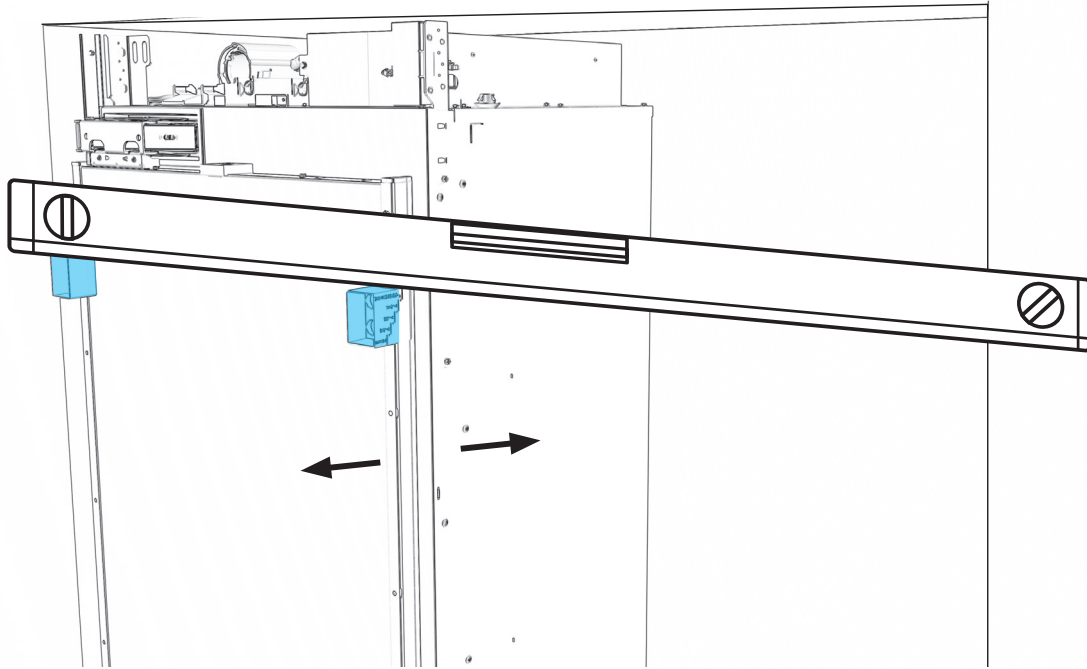


PEUT REMPLACER LES CALES POUR LE NIVELLEMENT.



6.15

AJUSTER DE NOUVEAU L'APPAREIL POUR QUE TOUTES LES PROFONDEURS CORRESPONDENT.

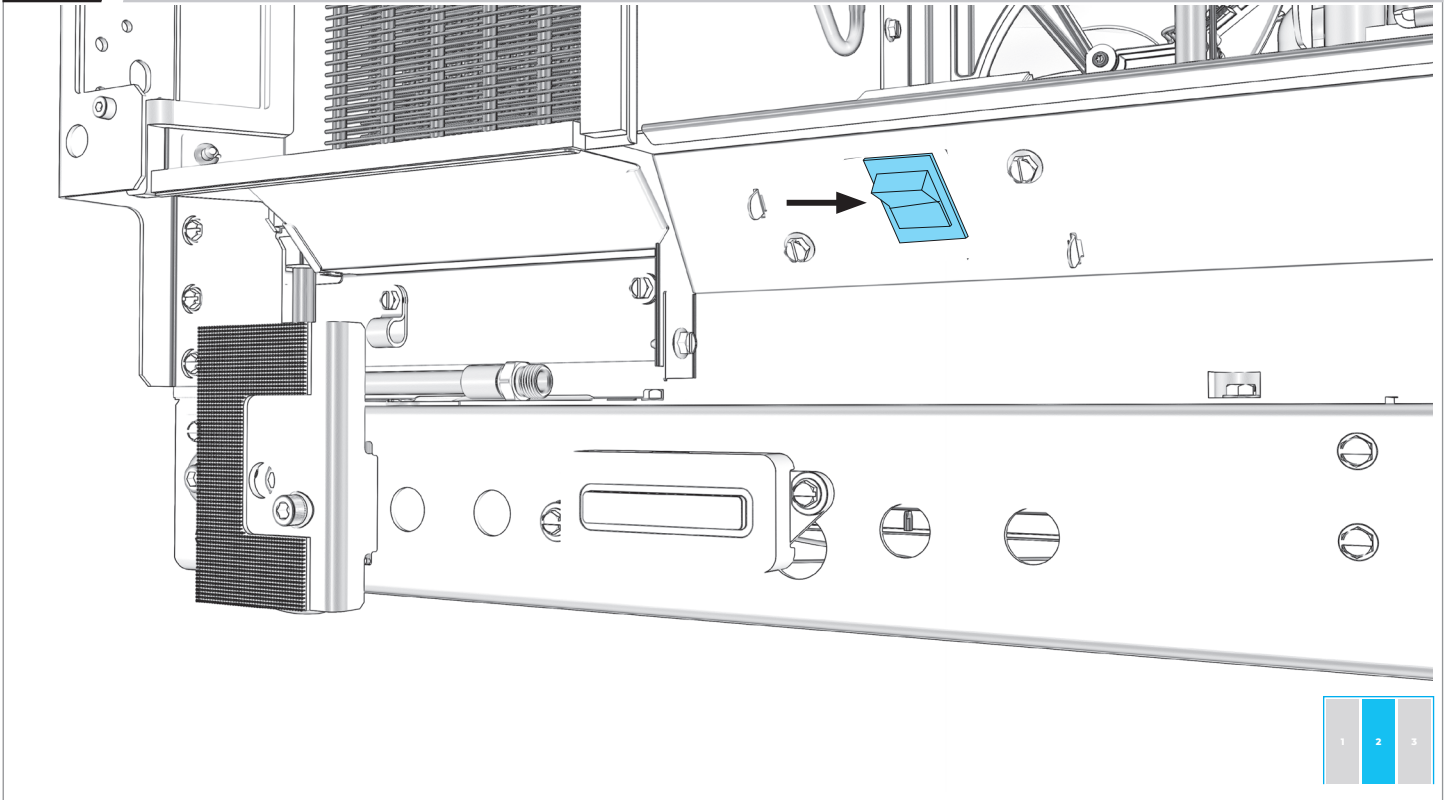




INSTALLATION DU  
D E U X I È M E  
APPAREIL

7.1

ÉTEINDRE L'ALIMENTATION.



AVANT DE BRANCHER L'APPAREIL, LIRE LES AVERTISSEMENTS.

**⚠ AVERTISSEMENT**



**Risque de choc électrique**

**Brancher sur une prise à 3 alvéoles reliée à la terre.**

**Ne pas enlever la broche de liaison à la terre.**

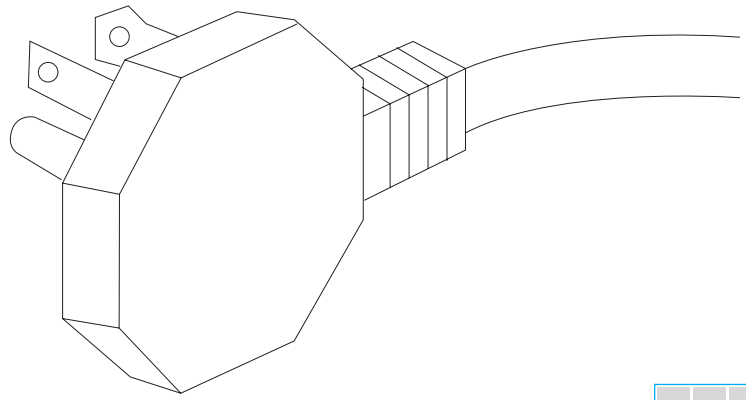
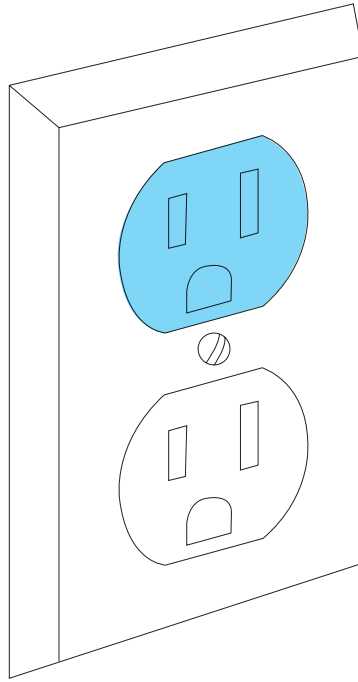
**Ne pas utiliser un adaptateur.**

**Ne pas utiliser un câble de rallonge.**

**Le non-respect de ces instructions peut causer un décès, un incendie ou un choc électrique.**

## 7.2

BRANCHER À UNE PRISE À TROIS ALVÉOLES RELIÉE À LA TERRE.



AVANT DE DÉPLACER L'APPAREIL, LIRE TOUS LES AVERTISSEMENTS.

**⚠ AVERTISSEMENT****Risque de basculement**

**Le réfrigérateur est lourd au sommet et bascule facilement lorsqu'il n'est pas complètement installé.**

**Garder les portes fermées avec un ruban adhésif jusqu'à l'installation complète du réfrigérateur.**

**Utiliser deux ou plus de personnes pour déplacer et installer le réfrigérateur.**

**Le non-respect de ces instructions peut causer un décès ou une blessure grave.**

**⚠ AVERTISSEMENT****Risque du poids excessif**

**Utiliser deux ou plus de personnes pour déplacer et installer le réfrigérateur.**

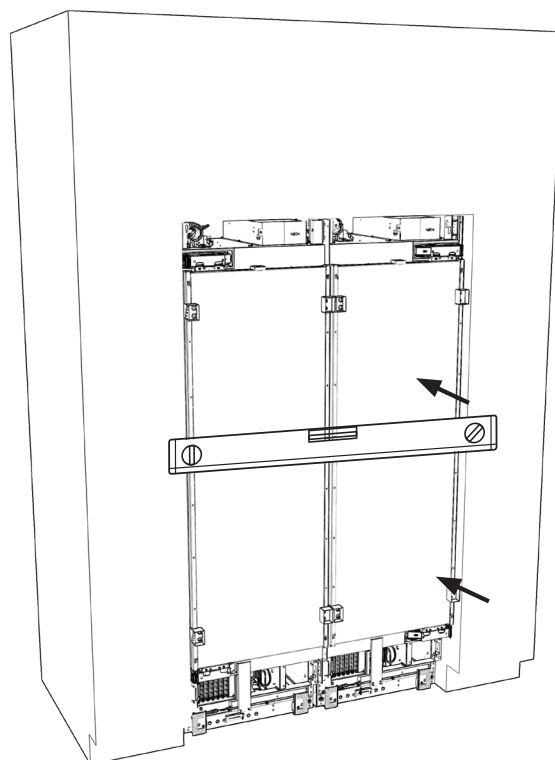
**Le non-respect de cette instruction peut causer une blessure au dos ou d'autre blessure.**

**Importants renseignements à savoir au sujet des tablettes et des couvercles en verre :**

Ne pas nettoyer les tablettes ou couvercles en verre avec de l'eau tiède quand ils sont froids. Les tablettes et les couvercles peuvent se briser s'ils sont exposés à des changements soudains de température ou à un impact tel que coup brusque. Le verre trempé est conçu pour éclater en d'innombrables pièces minuscules. Ceci est normal. Les tablettes et les couvercles en verre sont lourds. Les saisir à deux mains lors de leur dépose afin d'éviter de les faire tomber.

7.3

DEUXIÈME APPAREIL : PLACER DANS L'OUVERTURE.



7.4

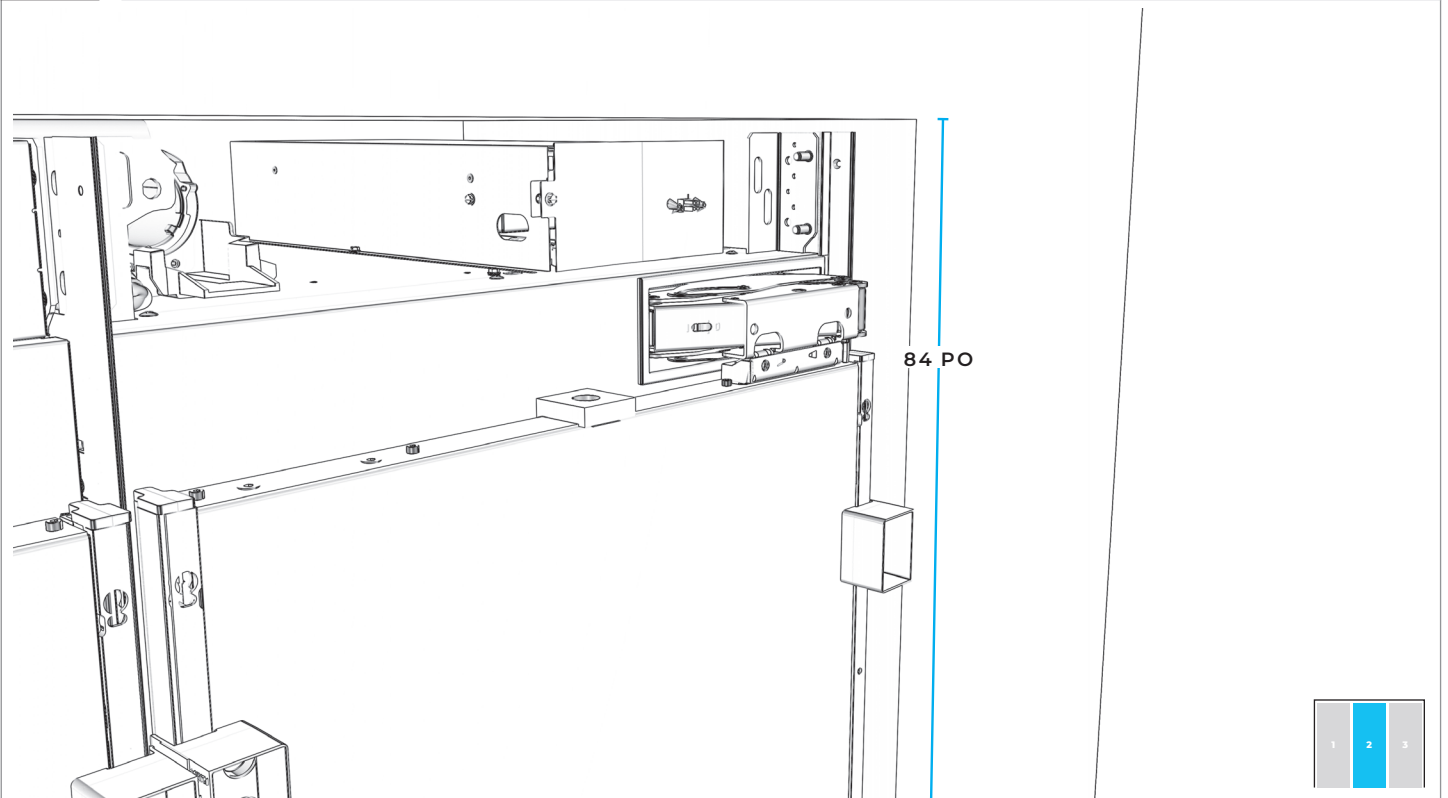
SI UN TROISIÈME APPAREIL EST INSTALLÉ :  
**PASSER À LA SECTION 8**

# 7

## INSTALLATION DU DEUXIÈME APPAREIL

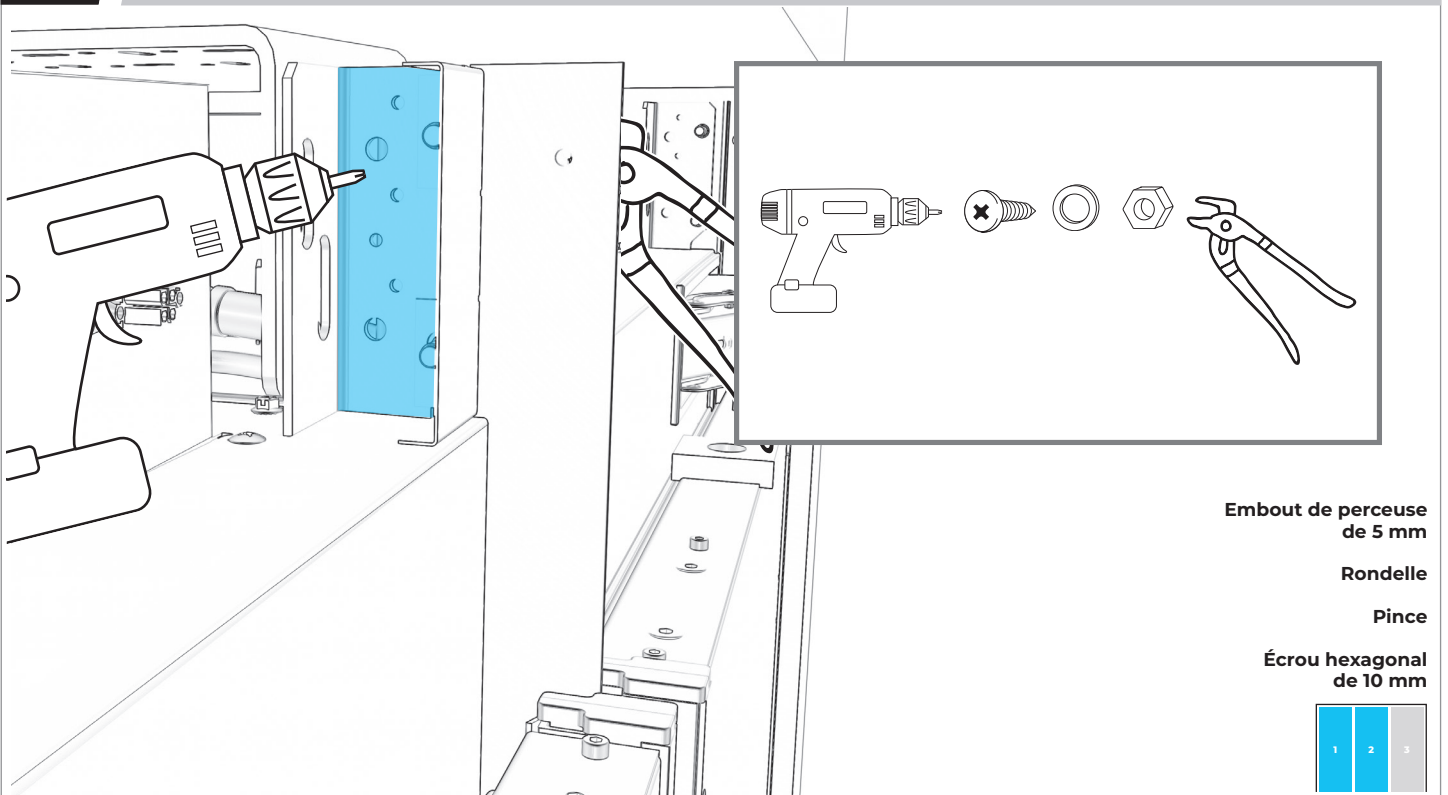
### 7.5

DEUXIÈME APPAREIL : PLACER À LA LIGNE DE 84 PO.



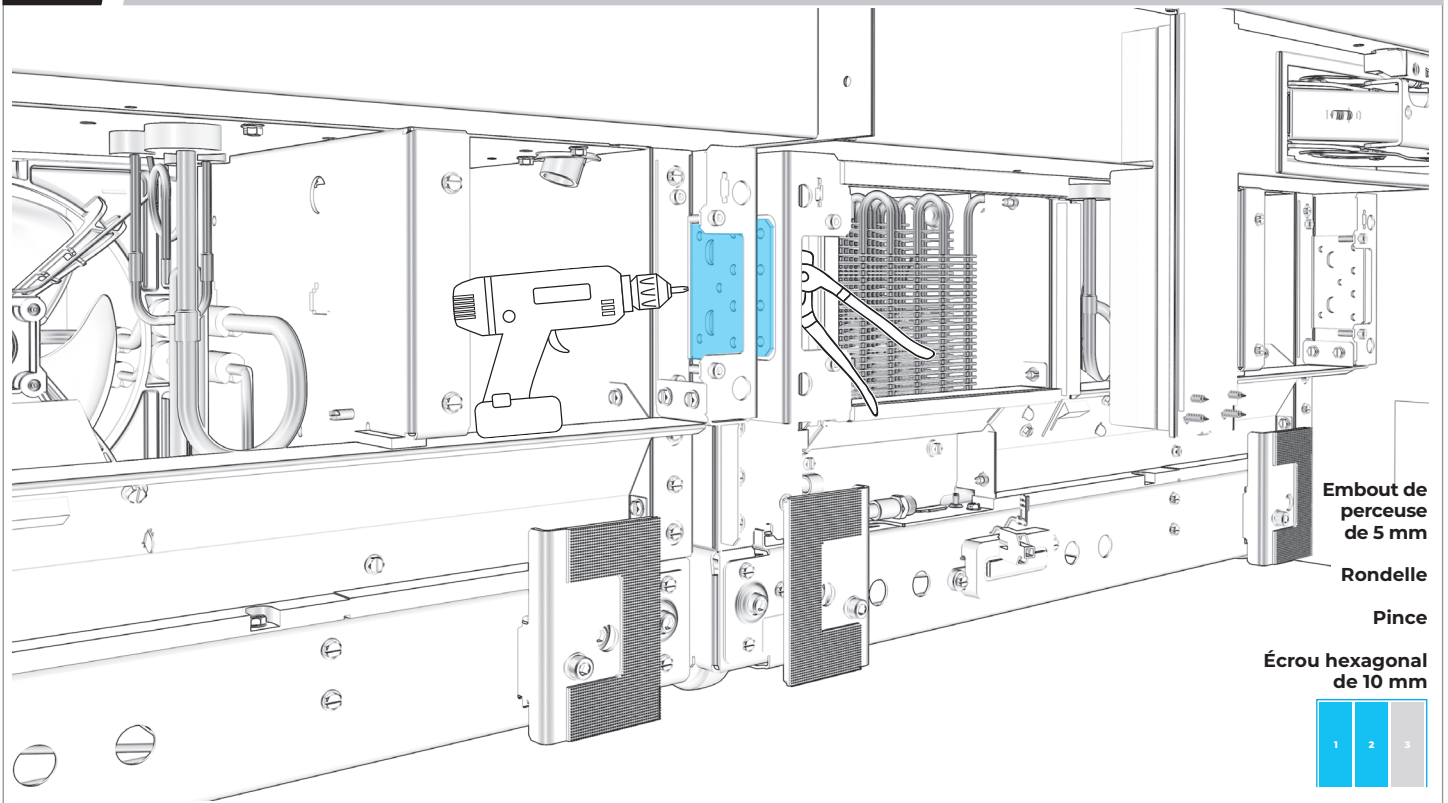
### 7.6

FIXER LE HAUT DU PREMIER APPAREIL AU DEUXIÈME APPAREIL.



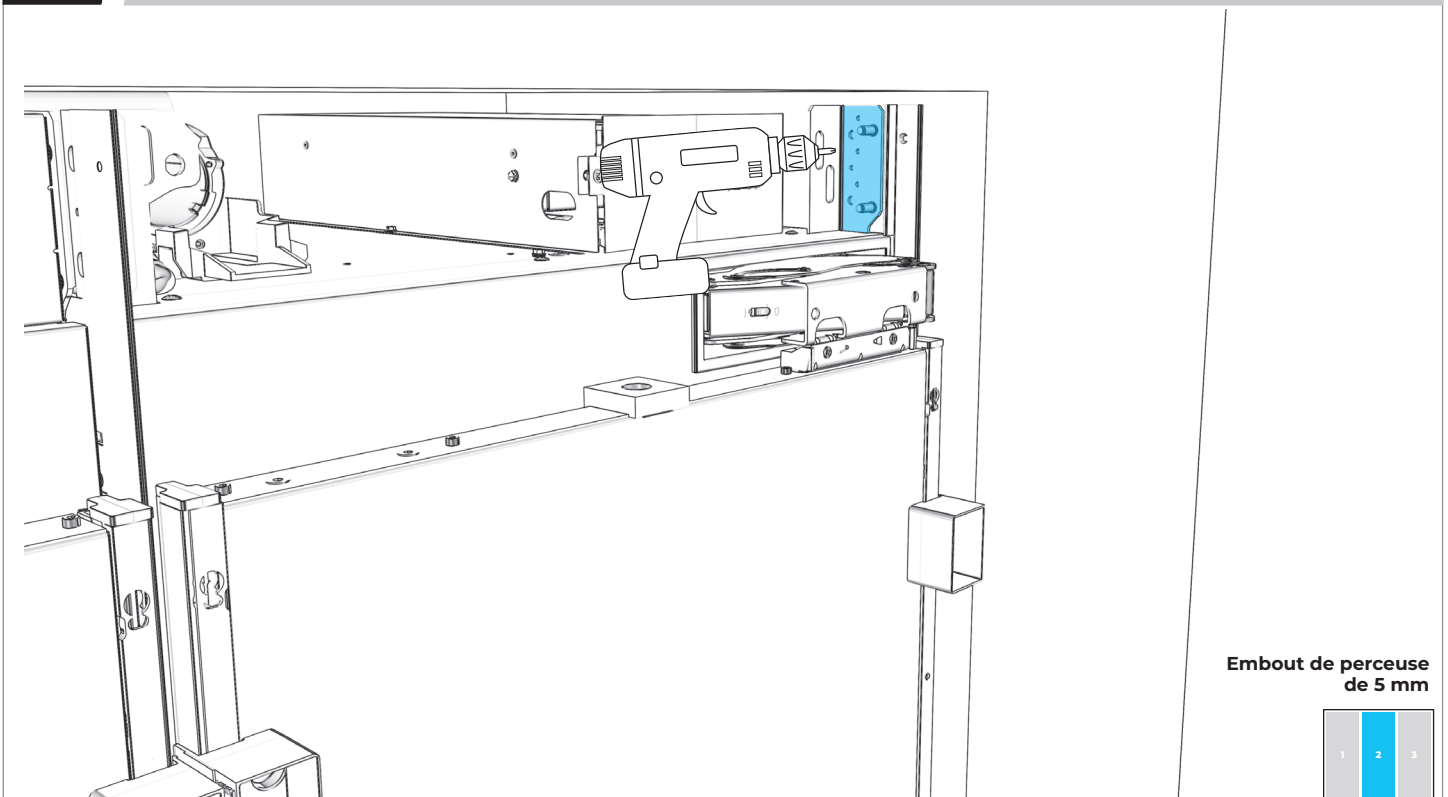
7.7

RÉPÉTER POUR LE SUPPORT DU BAS.



7.8

FIXER LE SUPPORT D'INSTALLATION SUPÉRIEUR AU MEUBLE.

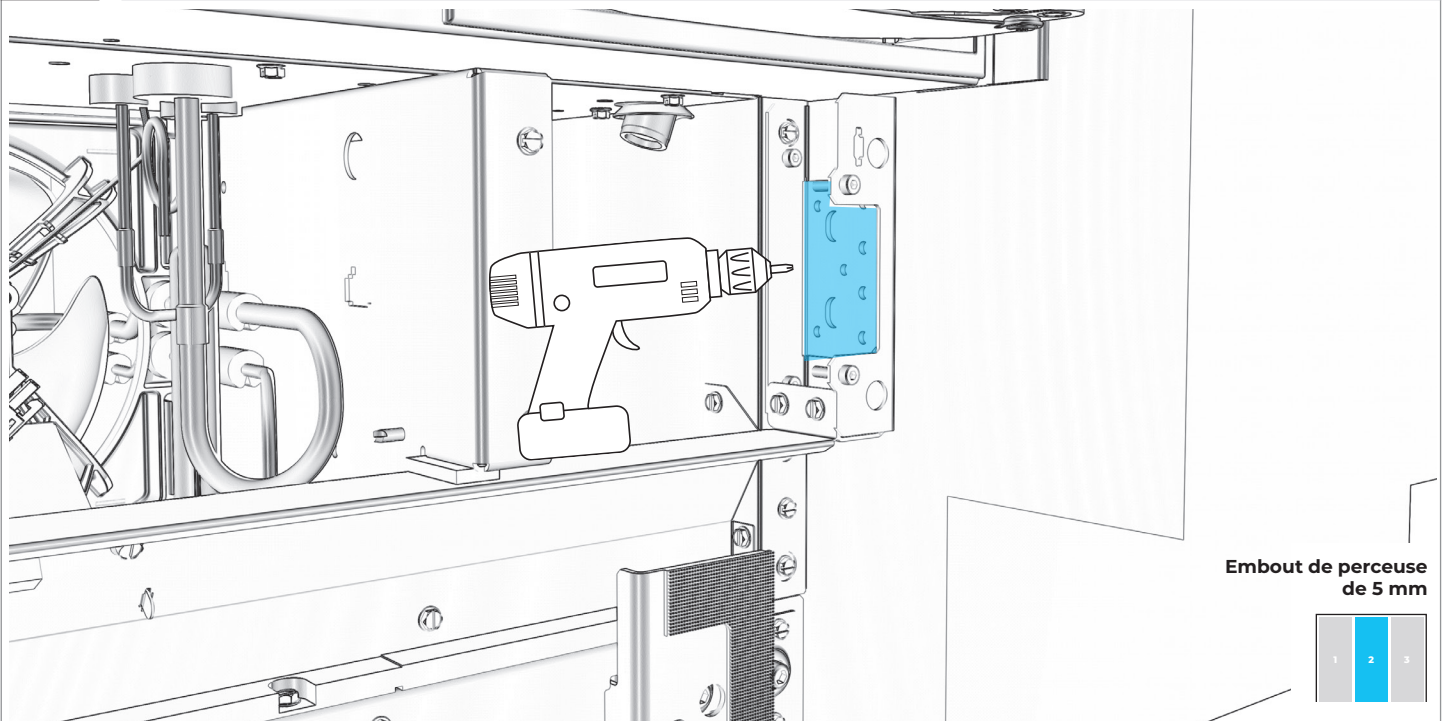


# 7

## INSTALLATION DU DEUXIÈME APPAREIL

### 7.9

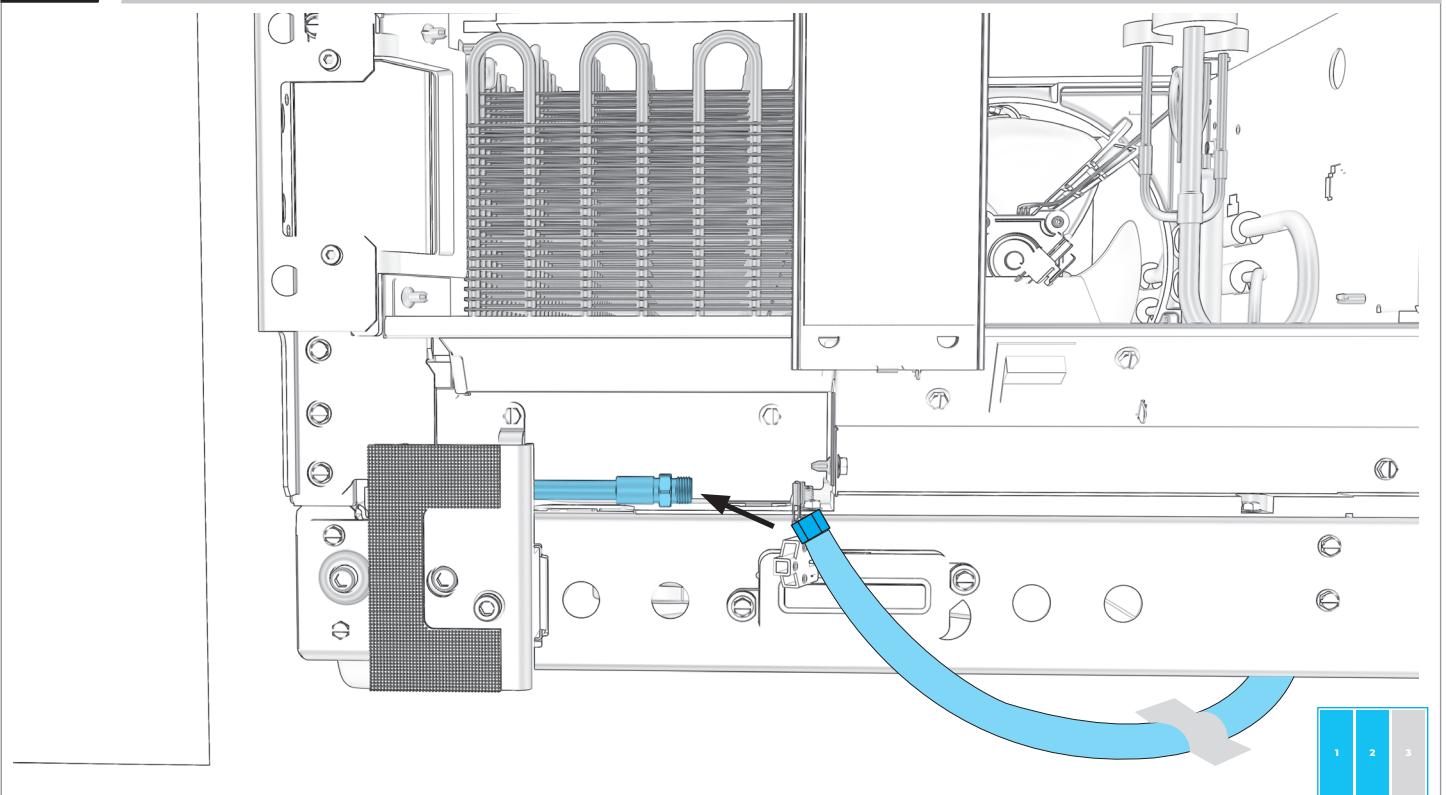
FIXER LE SUPPORT D'INSTALLATION INFÉRIEUR AU MEUBLE.



UTILISER DES VIS À BOIS D'UNE LONGUEUR CONVENABLE

### 7.10

RACCORDER LES TUYAUX D'ARRIVÉE D'EAU.





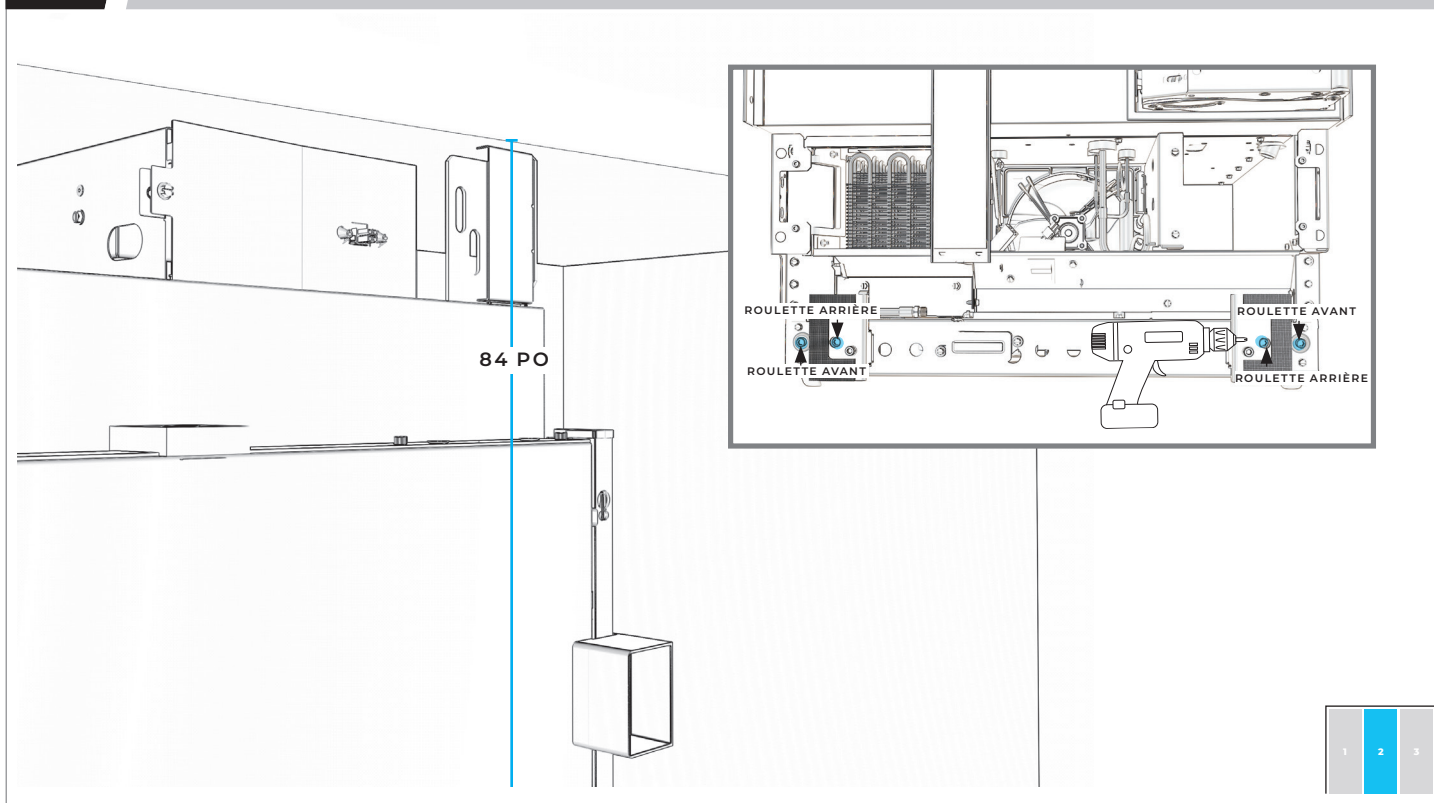
SI SEULEMENT DEUX APPAREILS SONT INSTALLÉS :

**PASSER À LA SECTION 9**

INSTALLATION DU  
FRIGOSISÈME  
APPAREIL

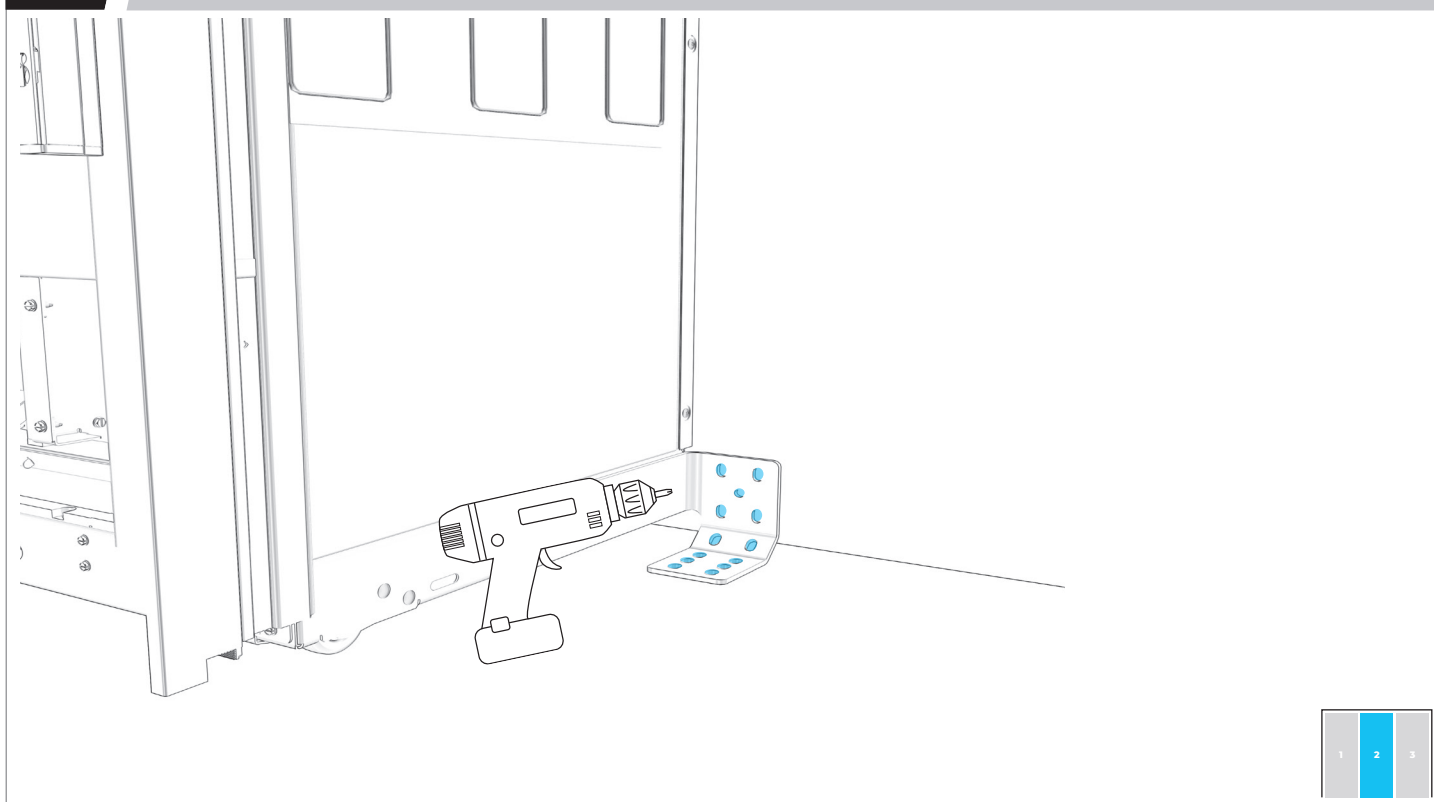
8.1

DEUXIÈME APPAREIL : PLACER À LA LIGNE DE 84 PO.



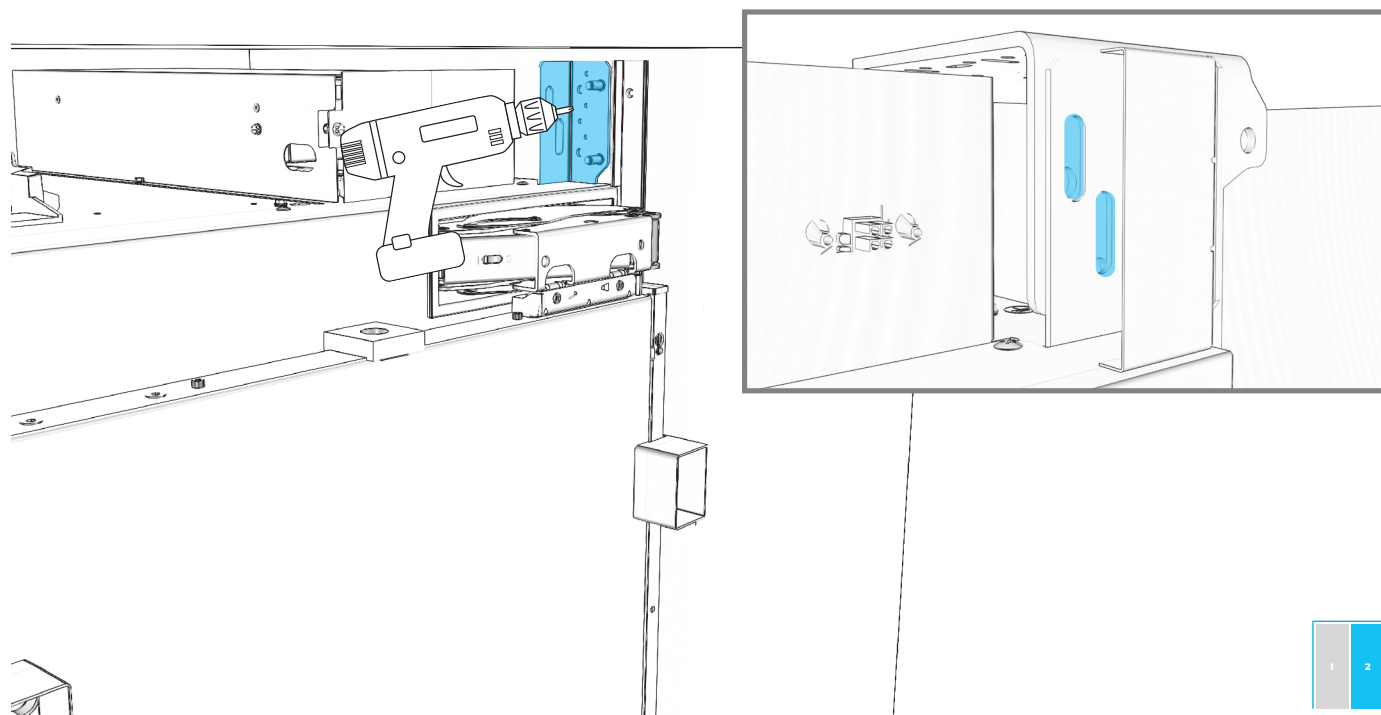
8.2

DEUXIÈME APPAREIL : FIXER LE SUPPORT DE POSITIONNEMENT.



## 8.3

PLACER SANS SERRER DES VIS DANS LE SUPPORT D'INSTALLATION ET LA BRIDE BADASS DE SOFFITE.

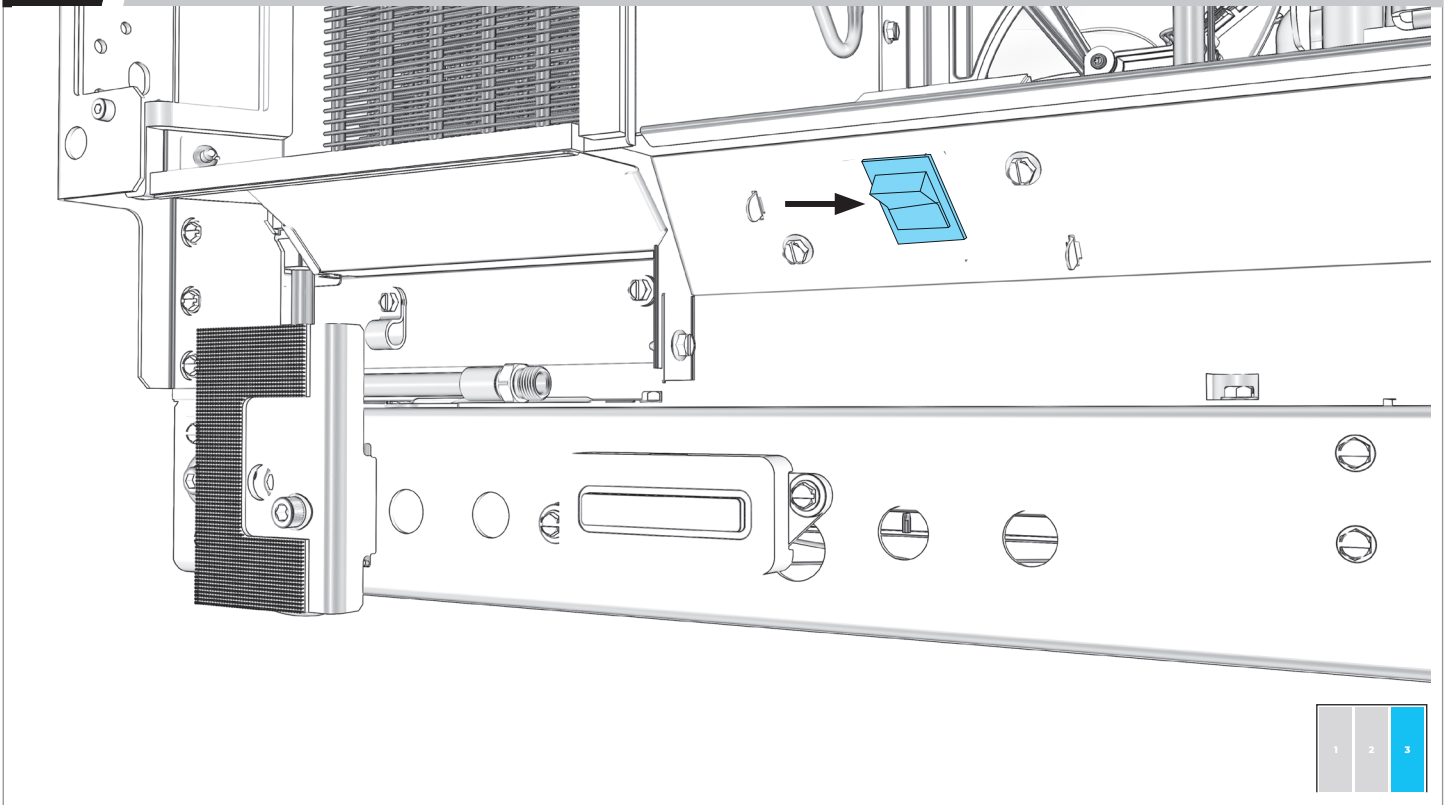


AVANT DE BRANCHER L'APPAREIL, LIRE LES AVERTISSEMENTS.

**⚠ AVERTISSEMENT****Risque de choc électrique****Brancher sur une prise à 3 alvéoles reliée à la terre.****Ne pas enlever la broche de liaison à la terre.****Ne pas utiliser un adaptateur.****Ne pas utiliser un câble de rallonge.****Le non-respect de ces instructions peut causer un décès, un incendie ou un choc électrique.**

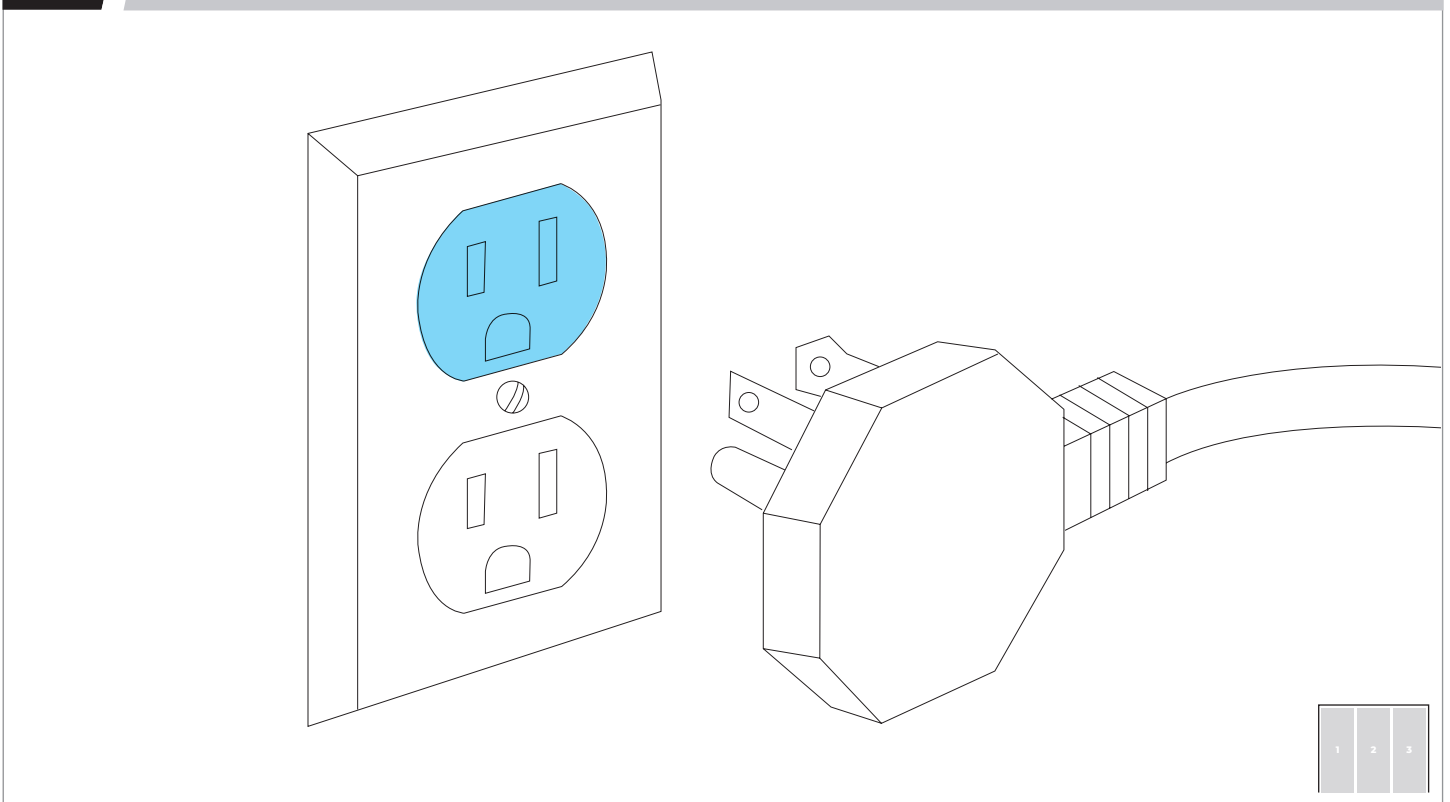
8.4

TROISIÈME APPAREIL : ÉTEINDRE L'ALIMENTATION.



8.5

BRANCHER À UNE PRISE À TROIS ALVÉOLES RELIÉE À LA TERRE.



AVANT DE DÉPLACER L'APPAREIL, LIRE TOUS LES AVERTISSEMENTS.

## ⚠ AVERTISSEMENT



### Risque de basculement

**Le réfrigérateur est lourd au sommet et bascule facilement lorsqu'il n'est pas complètement installé.**

**Garder les portes fermées avec un ruban adhésif jusqu'à l'installation complète du réfrigérateur.**

**Utiliser deux ou plus de personnes pour déplacer et installer le réfrigérateur.**

**Le non-respect de ces instructions peut causer un décès ou une blessure grave.**

### Déplacement de votre réfrigérateur :

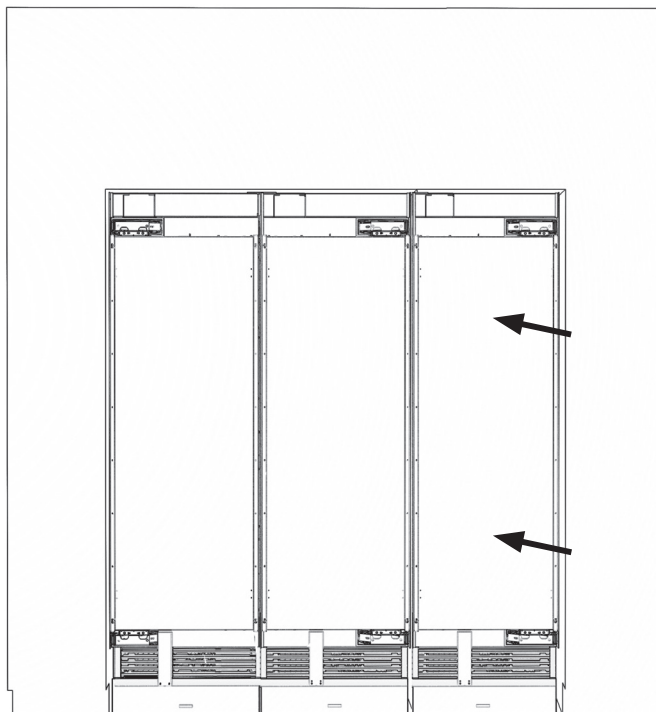
Votre réfrigérateur est lourd. Lors du déplacement de votre réfrigérateur pour le nettoyage ou un entretien ou réparation, veiller à recouvrir le plancher avec du carton ou un panneau de fibres dures pour éviter qu'il ne subisse tout dommage. Toujours tirer le réfrigérateur tout droit lors de son déplacement. Ne pas incliner le réfrigérateur d'un côté ou de l'autre ni le "faire marcher" en essayant de le déplacer car le plancher pourrait être endommagé.

### Importants renseignements à savoir au sujet des tablettes et des couvercles en verre :

Ne pas nettoyer les tablettes ou couvercles en verre avec de l'eau tiède quand ils sont froids. Les tablettes et les couvercles peuvent se briser s'ils sont exposés à des changements soudains de température ou à un impact tel que coup brusque. Le verre trempé est conçu pour éclater en d'innombrables pièces minuscules. Ceci est normal. Les tablettes et les couvercles en verre sont lourds. Les saisir à deux mains lors de leur dépose afin d'éviter de les faire tomber.

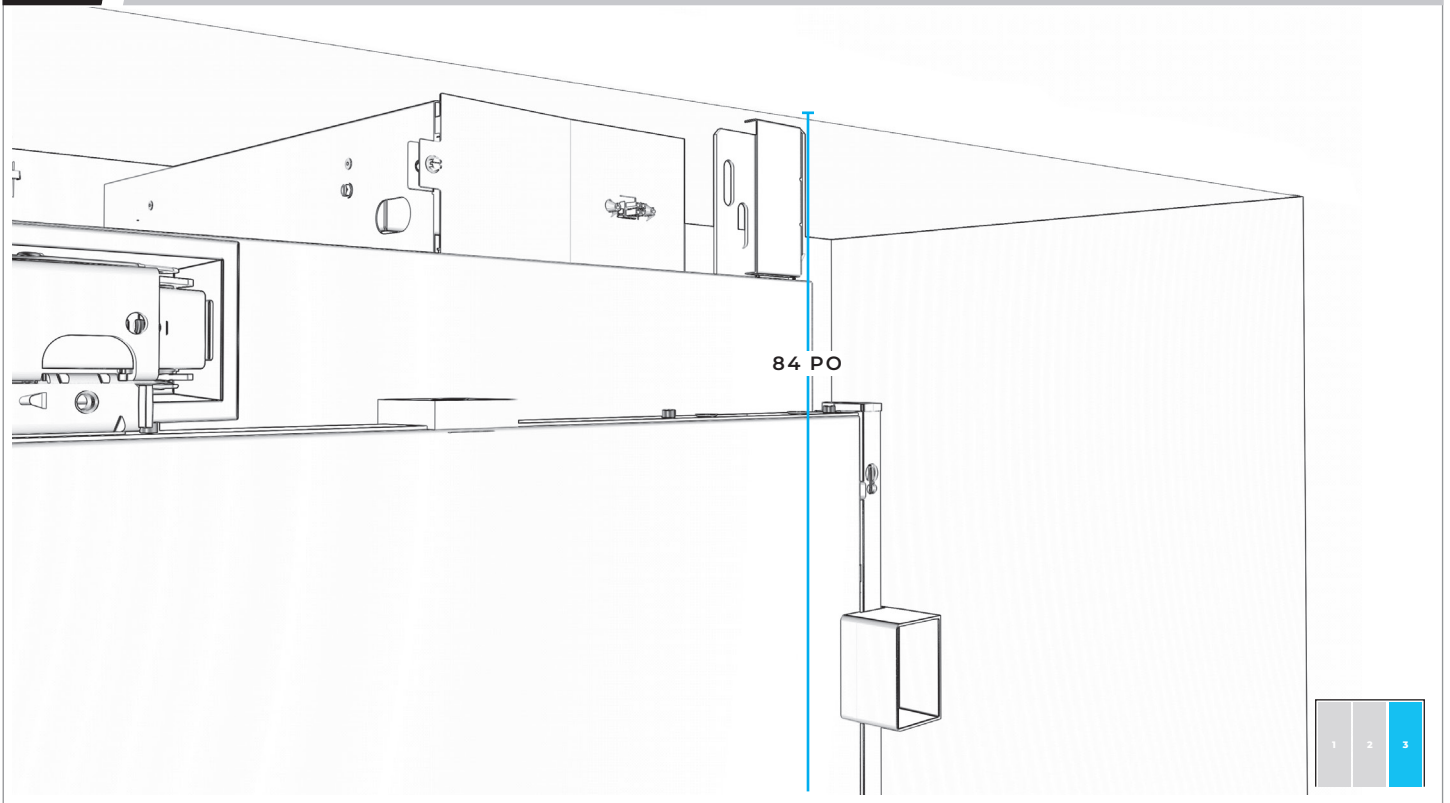
## 8.7

TROISIÈME APPAREIL : PLACER DANS L'OUVERTURE.



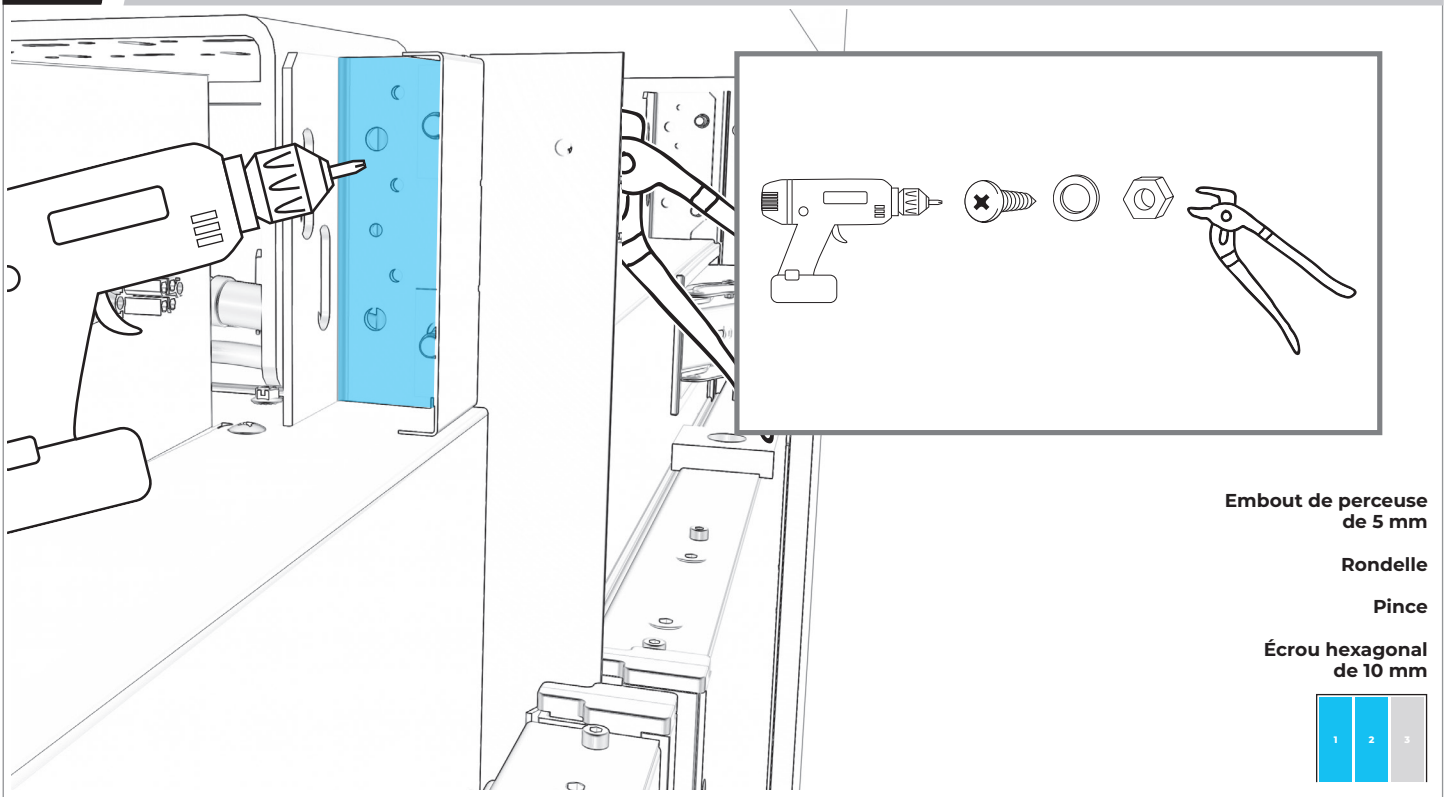
8.8

TROISIÈME APPAREIL : PLACER À LA LIGNE DE 84 PO.



8.9

FIXER LE HAUT DU DEUXIÈME APPAREIL AU TROISIÈME APPAREIL.



Embout de perceuse  
de 5 mm

Rondelle

Pince

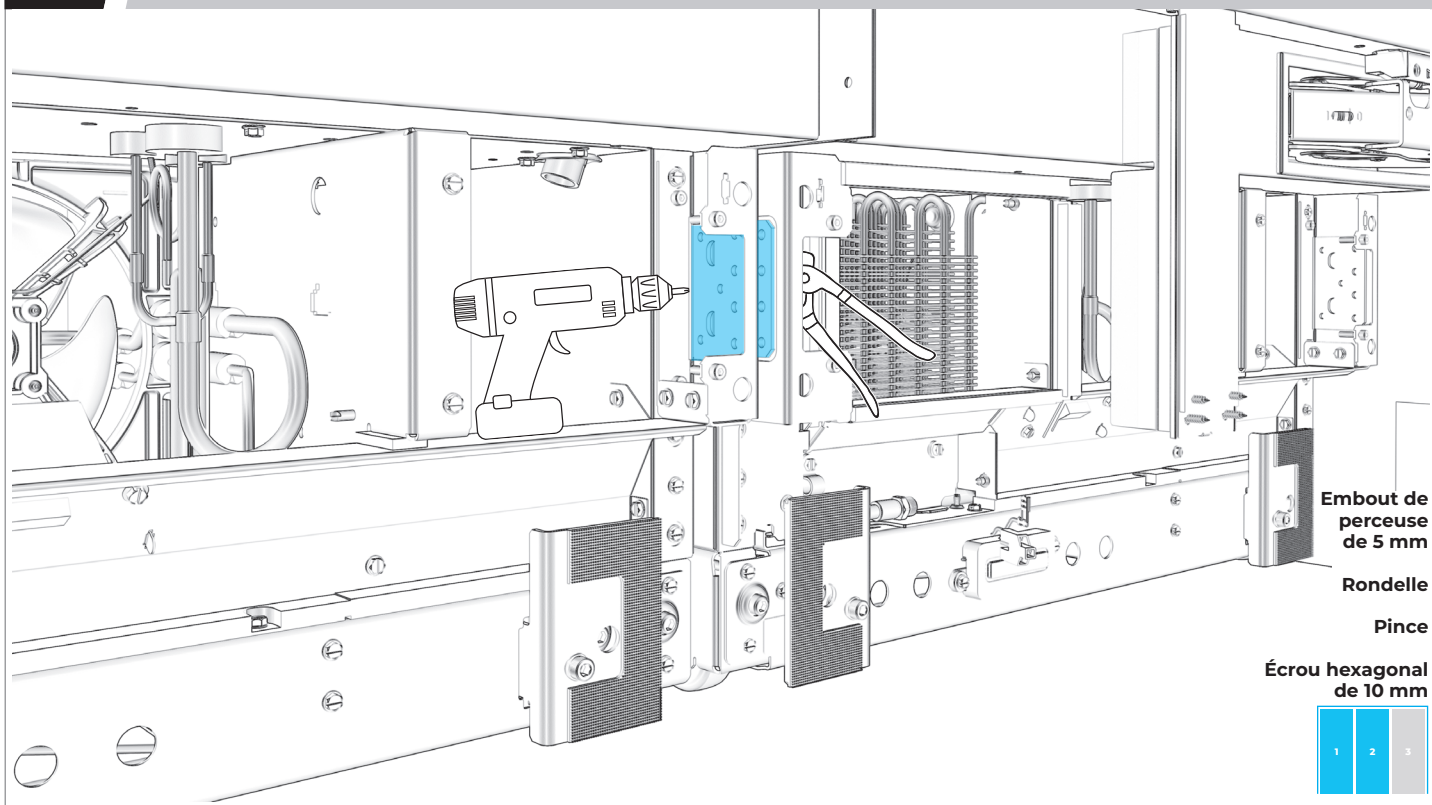
Écrou hexagonal  
de 10 mm

# 8

## INSTALLATION DU TROISIÈME APPAREIL

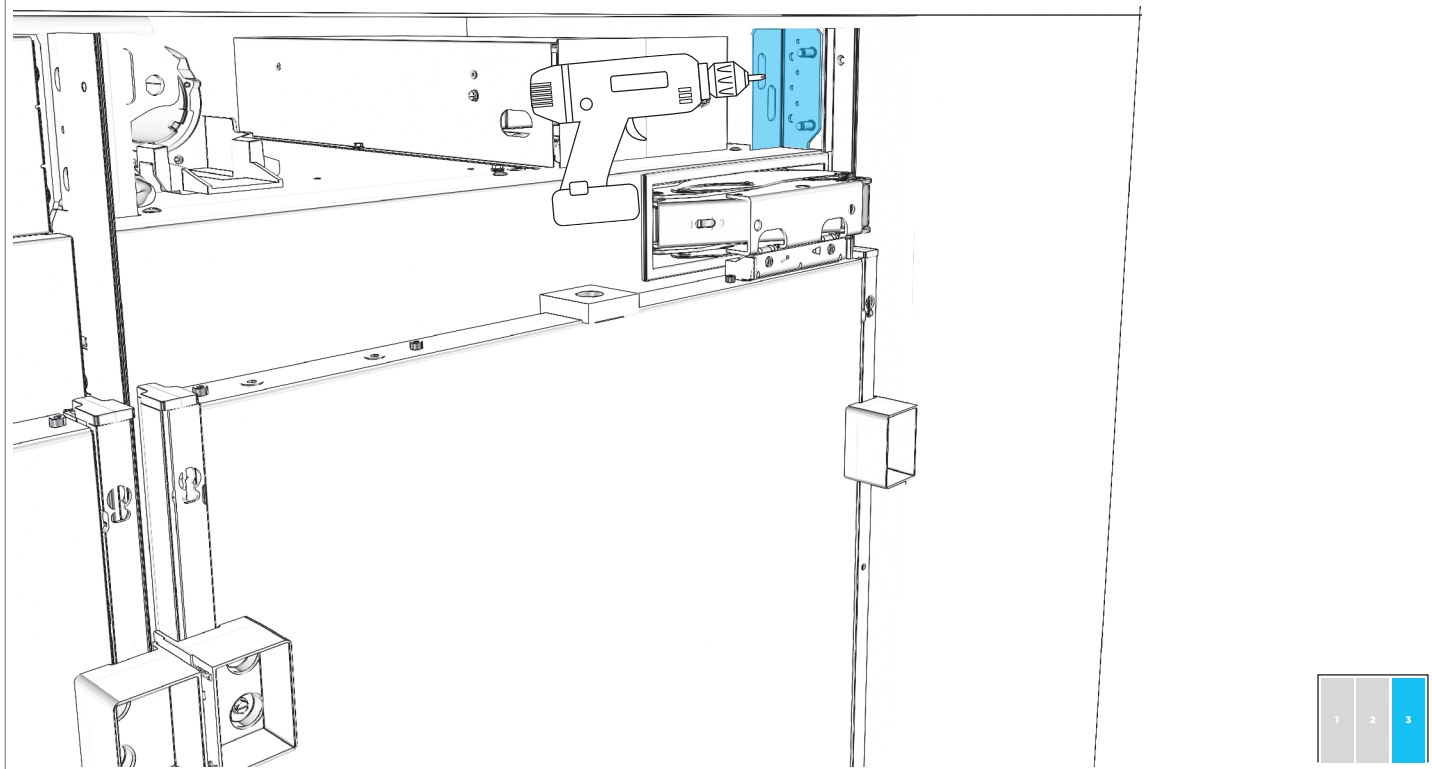
### 8.10

RÉPÉTER POUR LE SUPPORT DU BAS.



### 8.11

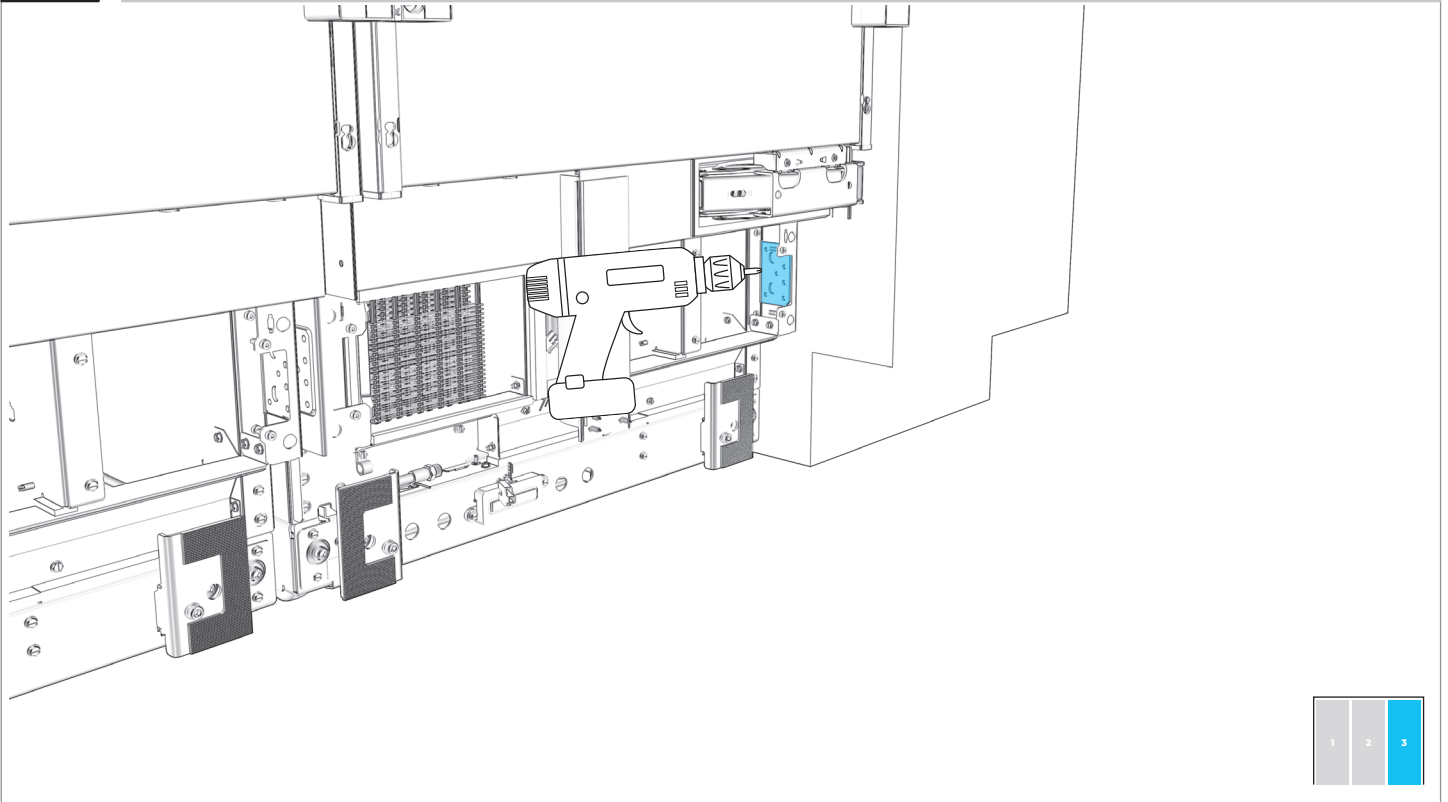
TROISIÈME APPAREIL : FIXER AU PANNEAU DE DROITE.





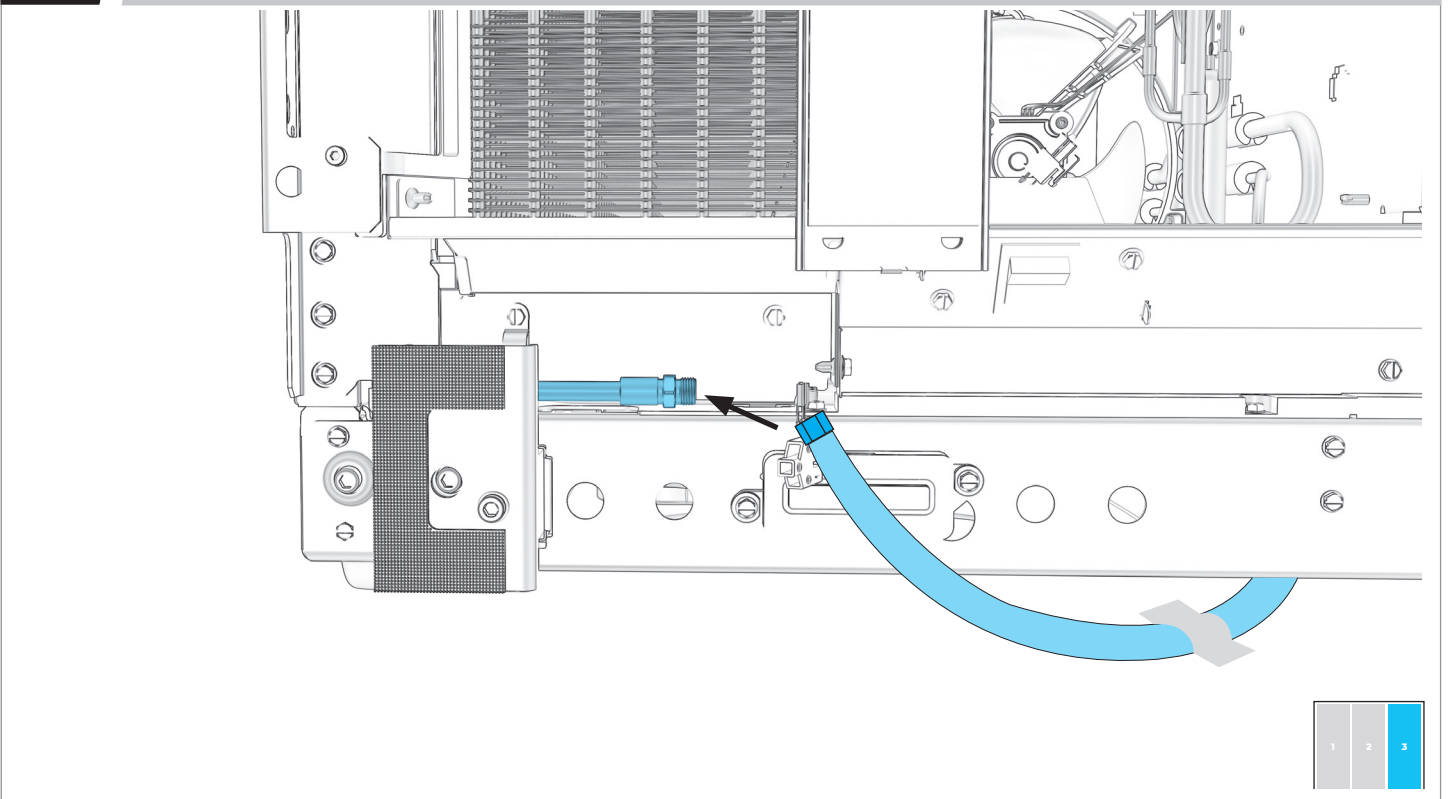
8.12

TROISIÈME APPAREIL : RÉPÉTER POUR LE SUPPORT DU BAS.



8.13

RACCORDER LE TUYAU D'ARRIVÉE D'EAU.

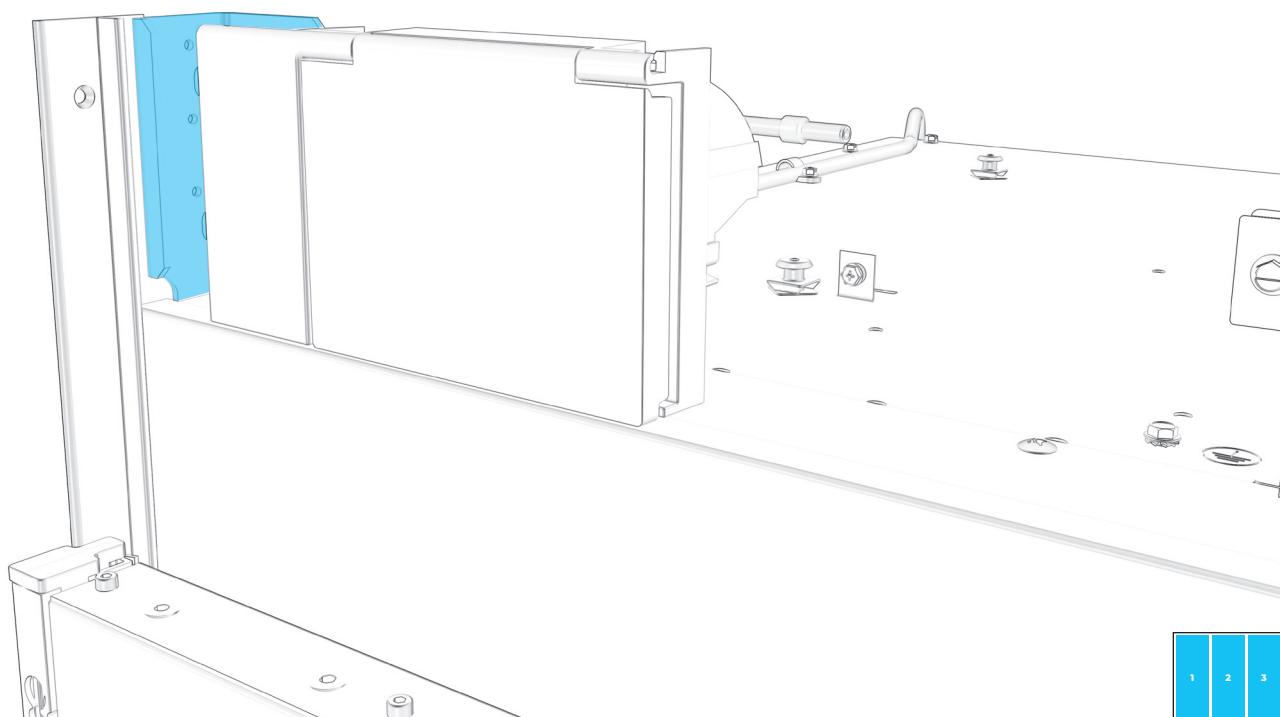


# PRÉPARATION

DE L'APPAREIL POUR SON UTILISATION

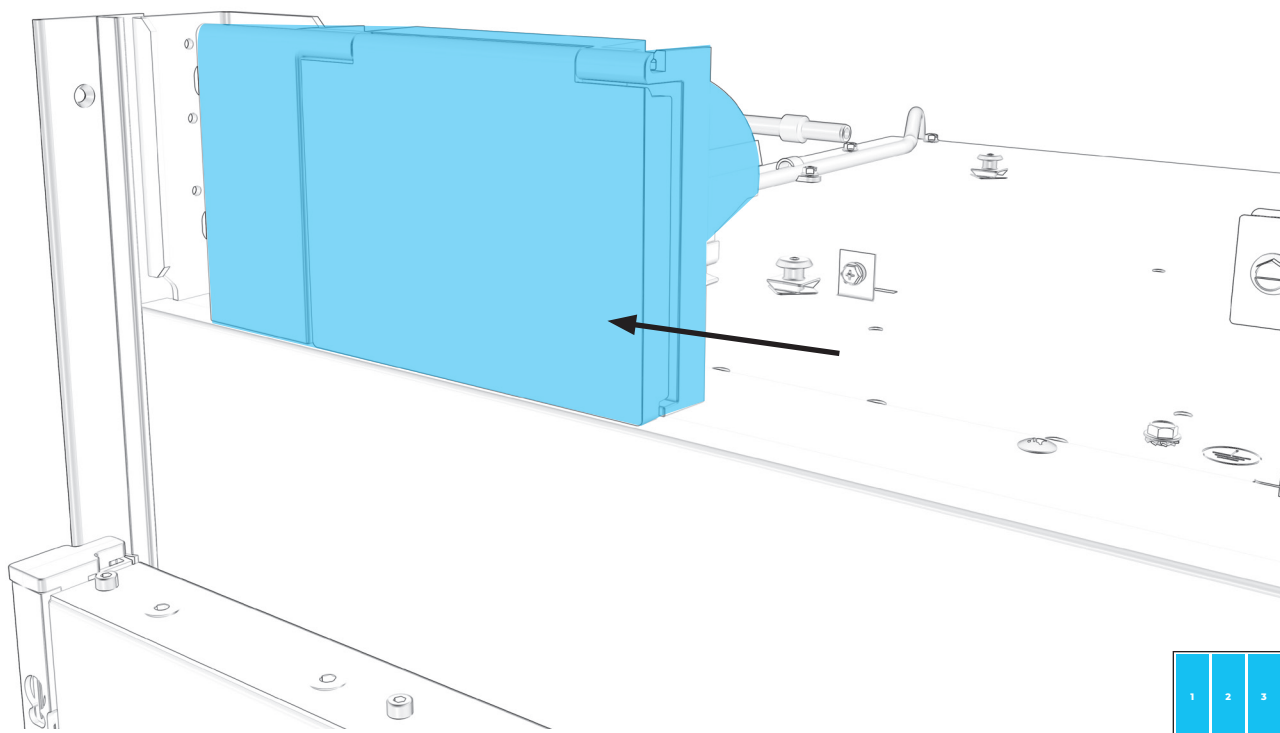
9.1

POUR CHAQUE APPAREIL : ALIGNER LE BOÎTIER DU FILTRE ENTRE LES SUPPORTS SITUÉS AU HAUT DE L'APPAREIL.



9.2

POUR CHAQUE APPAREIL : INSTALLER DE NOUVEAU LE BOÎTIER EN POUSSANT AVEC FORCE VERS LA GAUCHE.

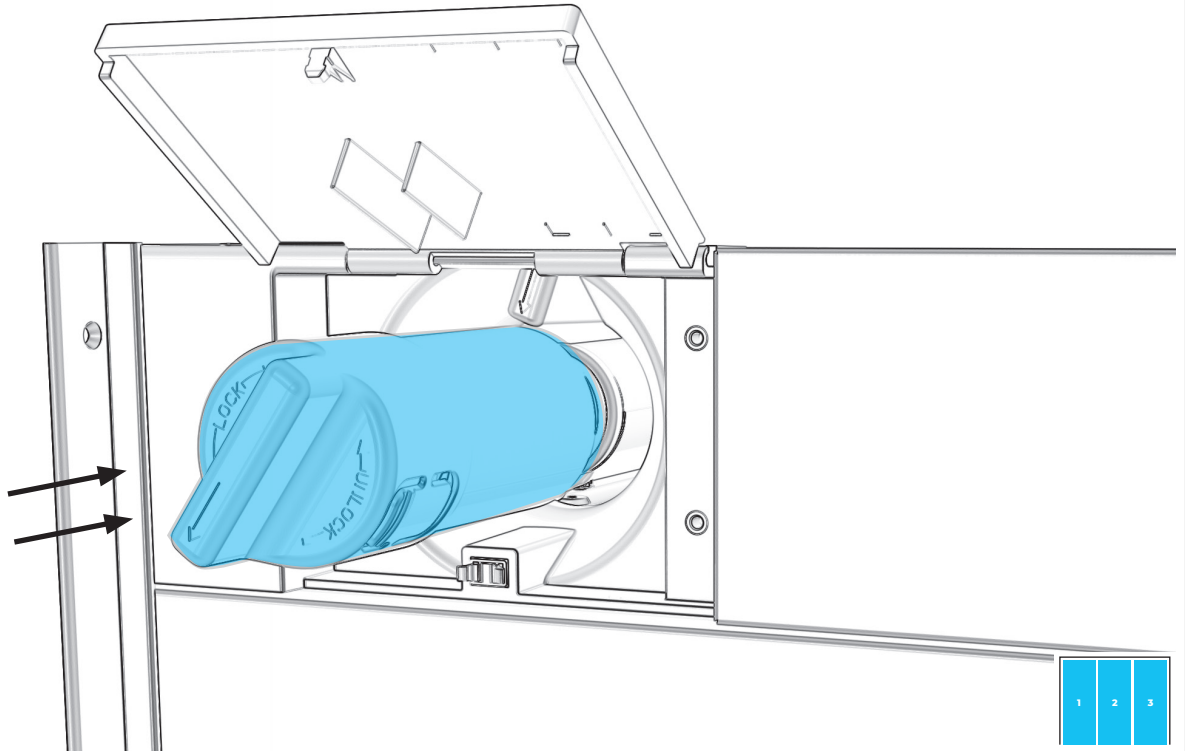


# 9

## PRÉPARATION DE L'APPAREIL POUR SON UTILISATION

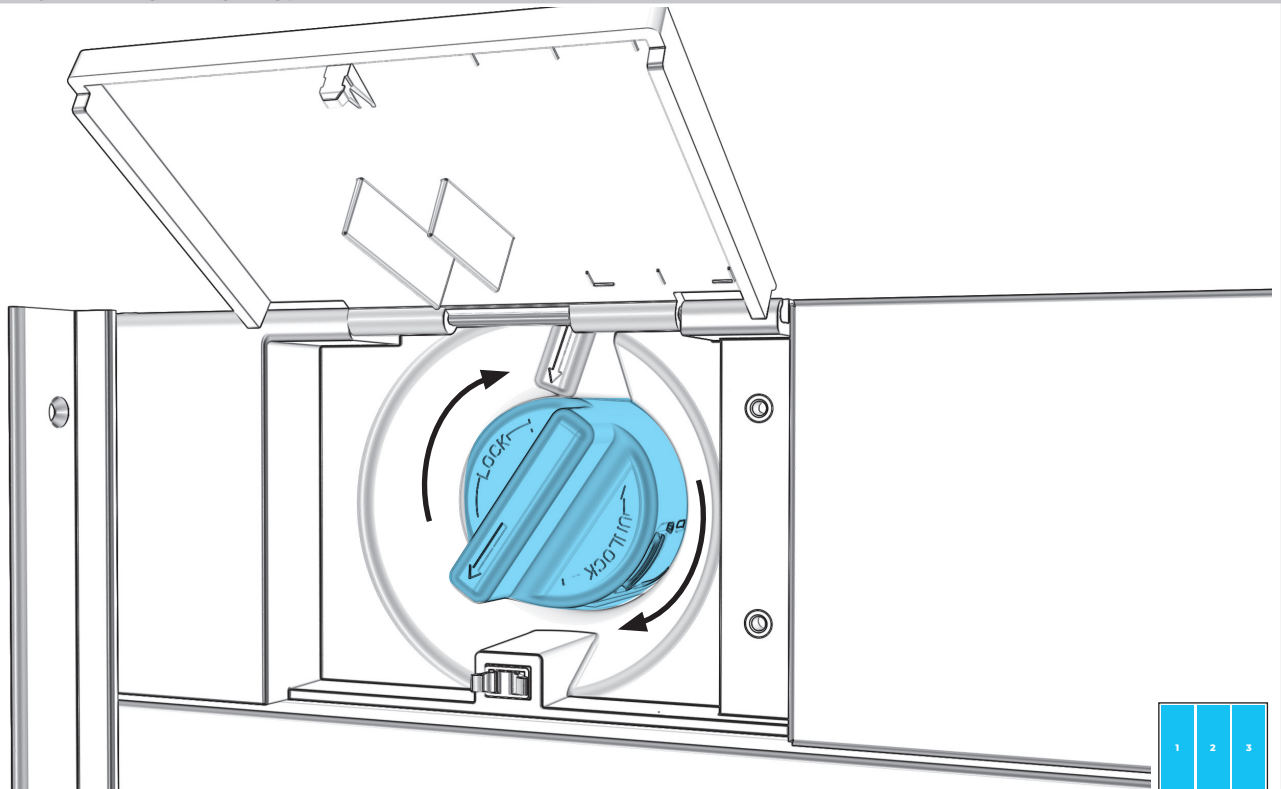
### 9.3

POUR CHAQUE APPAREIL : INSÉRER LE FILTRE À EAU JUSQU'À CE QU'IL SOIT BIEN PLACÉ.



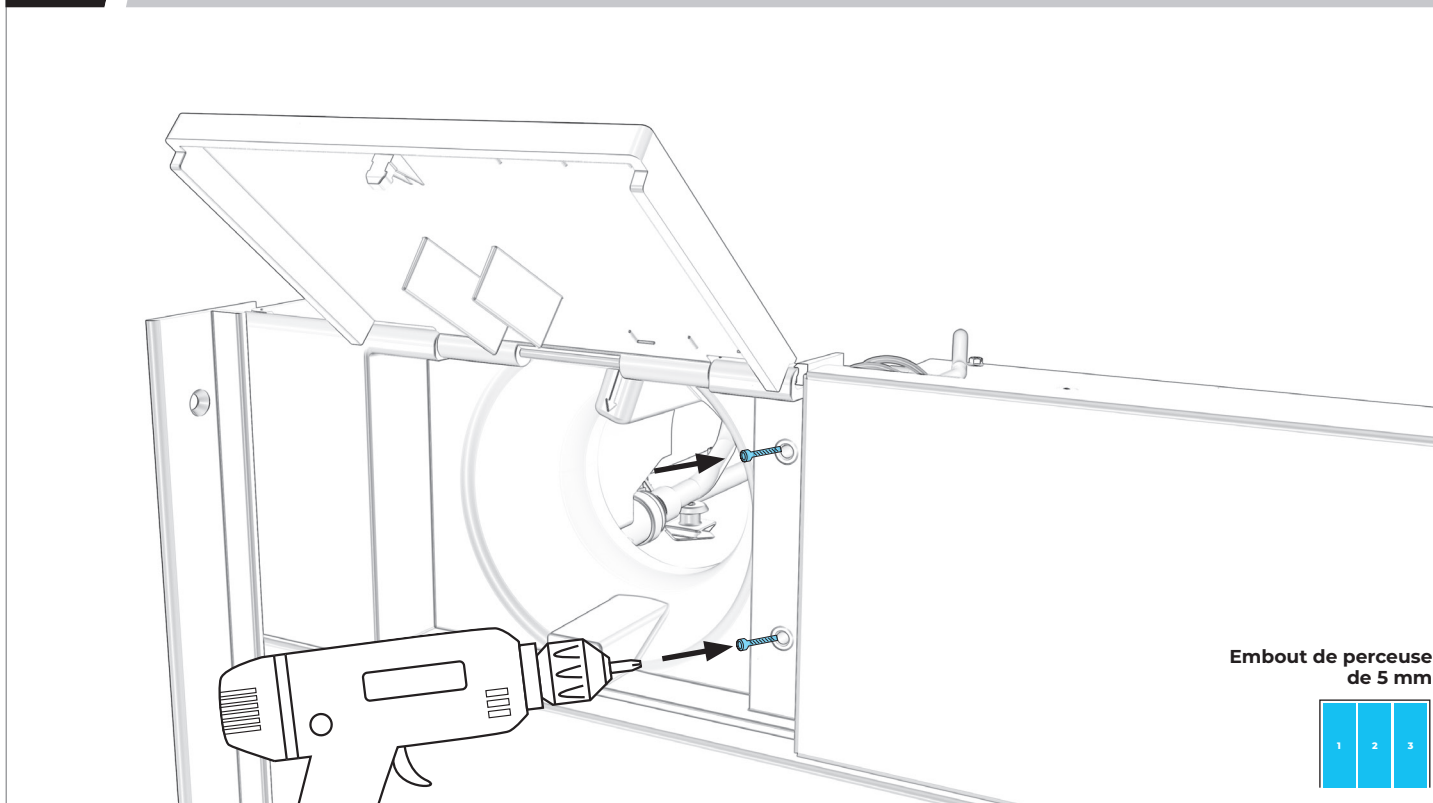
### 9.4

POUR CHAQUE APPAREIL : FAIRE TOURNER LE FILTRE DANS LE SENS HORAIRE POUR  
ALIGNER LES FLÈCHES.



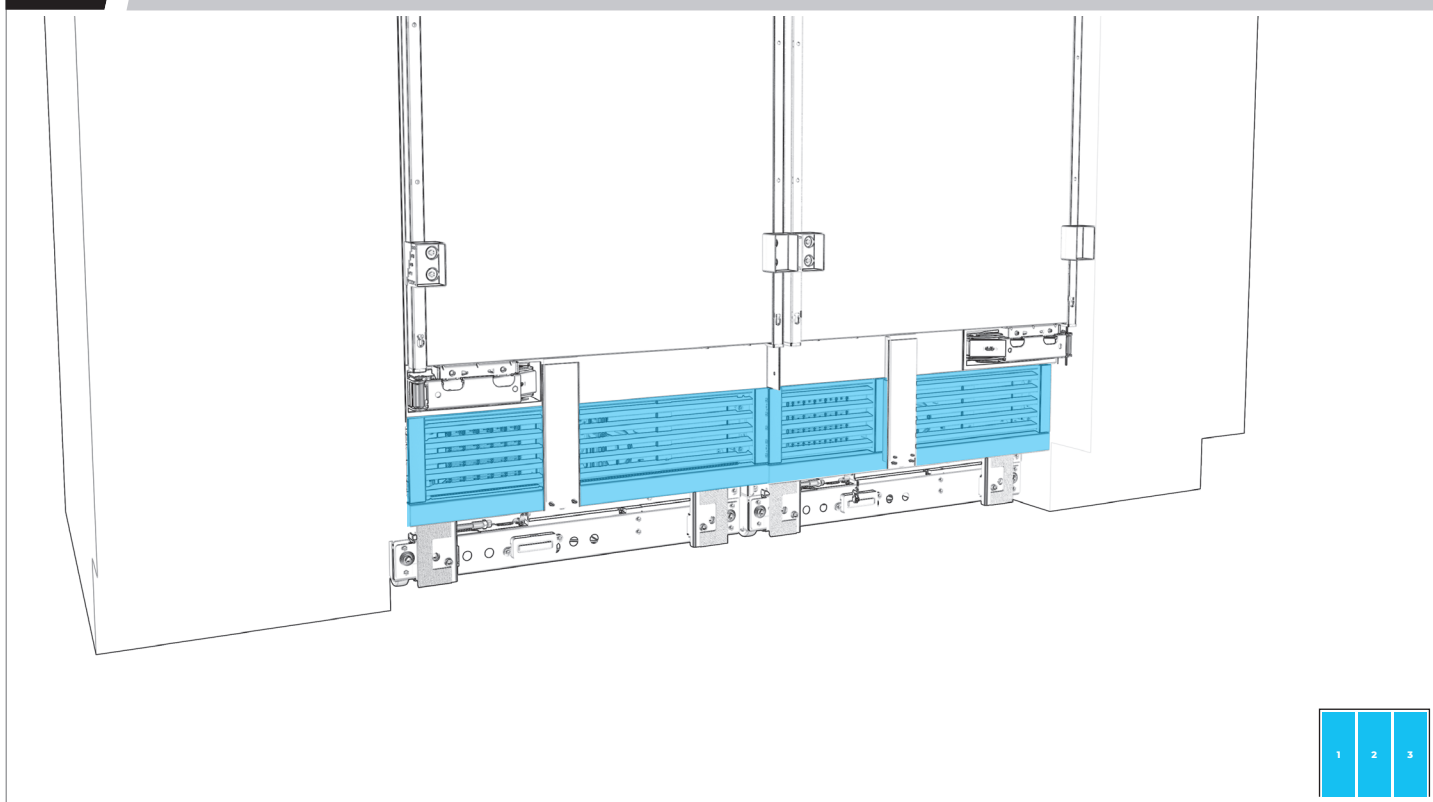
9.5

POUR CHAQUE APPAREIL : FIXER À L'AIDE DE DEUX VIS ET REPLACER LE COUVERCLE.



9.6

POUR CHAQUE APPAREIL : RÉINSTALLER LA GRILLE D'AÉRATION.

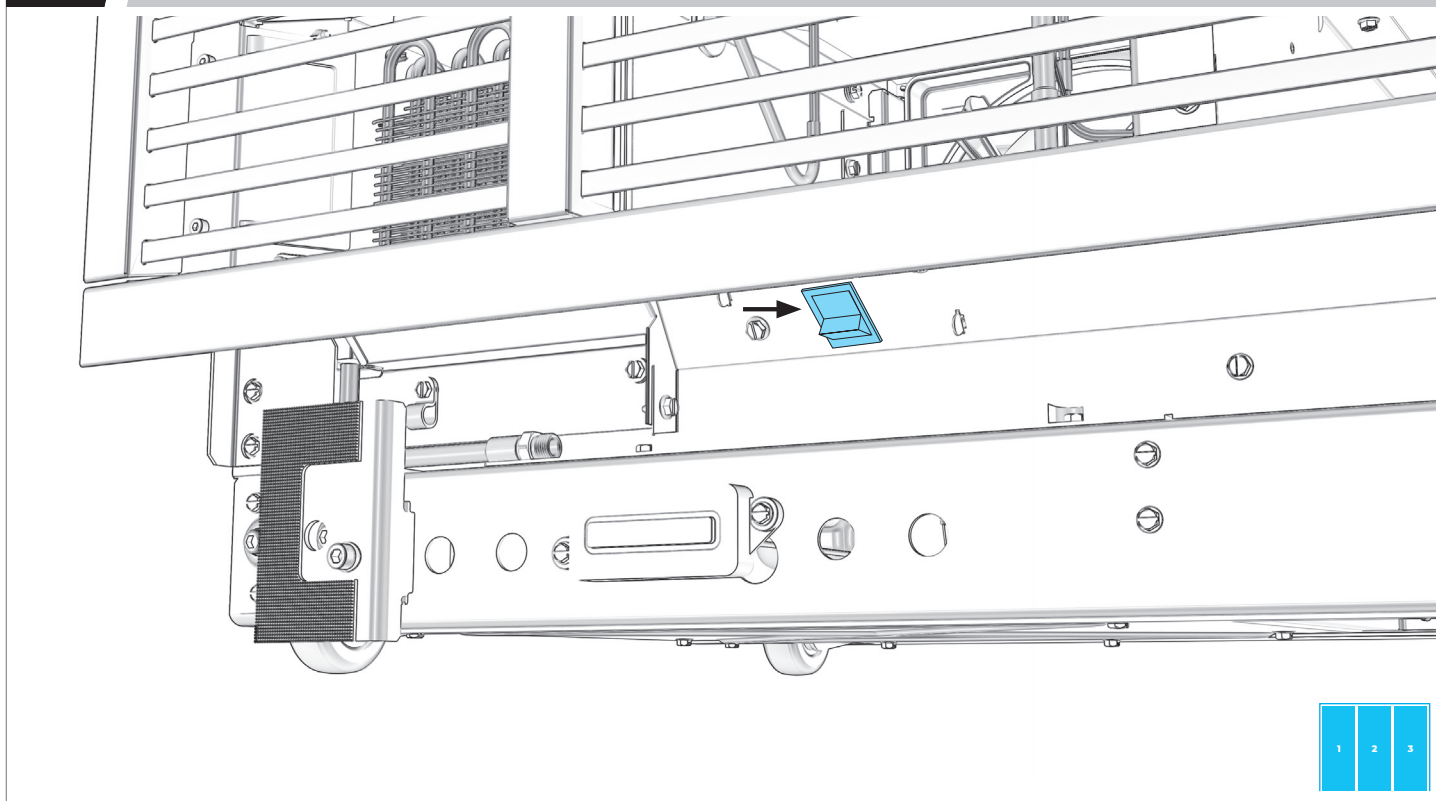


# 9

## PRÉPARATION DE L'APPAREIL POUR SON UTILISATION

### 9.7

#### POUR CHAQUE APPAREIL : METTRE L'APPAREIL SOUS TENSION



## VÉRIFICATION DE L'INSTALLATION

**PG.200** PRÉPARATION DE LA PLINTHE  
EN BOIS PERSONNALISÉE

**PG.203** PRÉPARATION DE LA PLINTHE  
EN ACIER INOXYDABLE

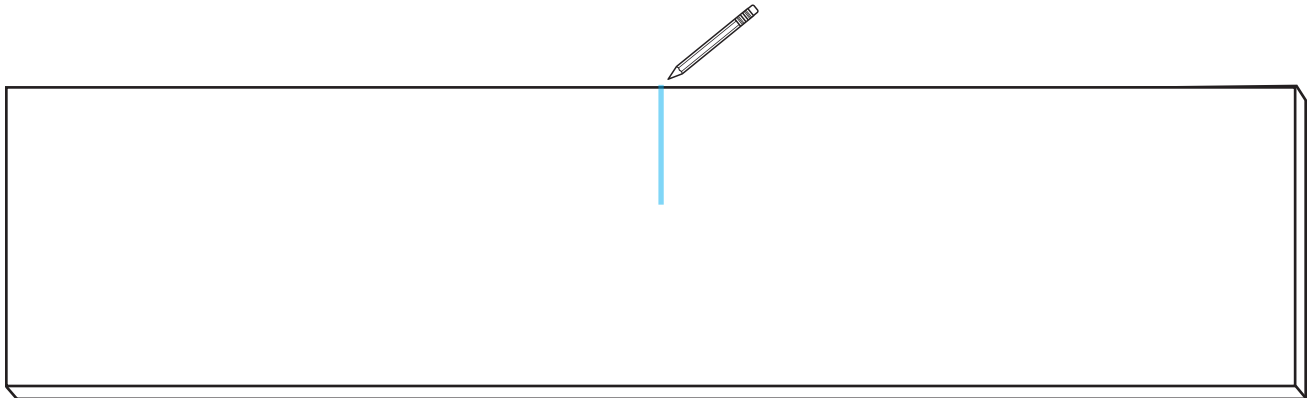
**PG.206** ALIGNEMENT ET INSTALLATION  
DES PLINTHES

PRÉPARATION DE LA  
**P L I N G H E**  
EN BOIS PERSONNALISÉE



## 10.1

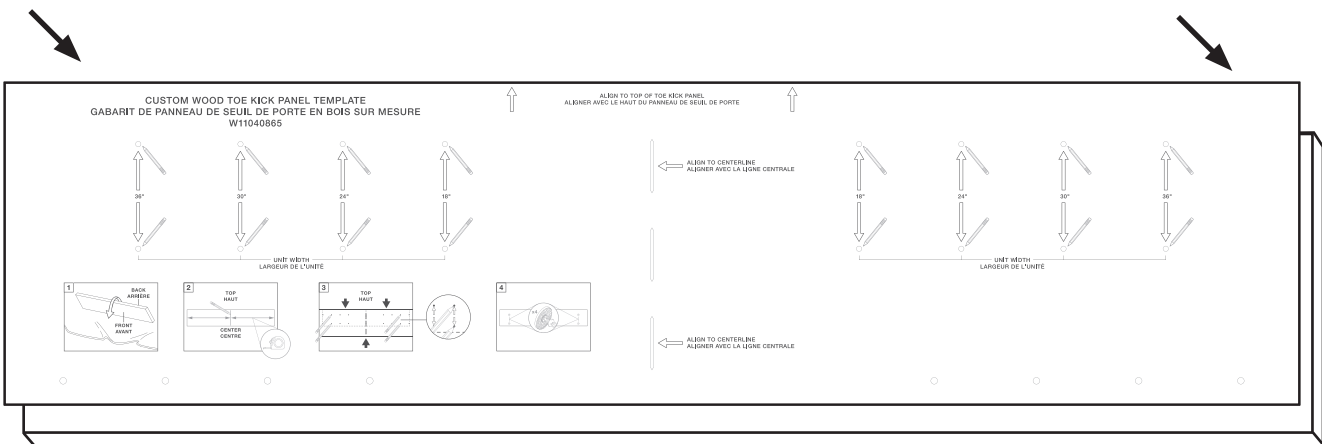
### MESURER ET MARQUER LA LIGNE CENTRALE DE LA PLINTHE.



EFFECTUER TOUTES LES ÉTAPES POUR CHAQUE APPAREIL.

## 10.2

### GABARIT D'ALIGNEMENT

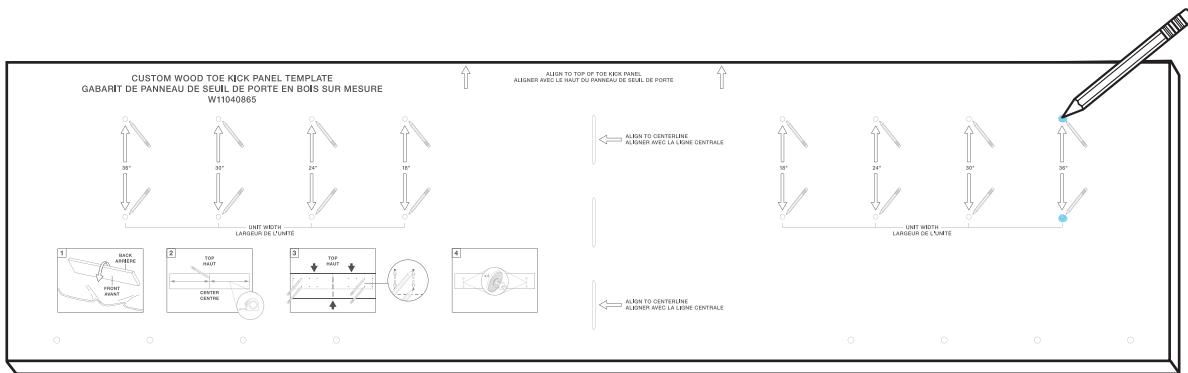


# 10

## PRÉPARATION POUR LA PLINTHE EN BOIS PERSONNALISÉE

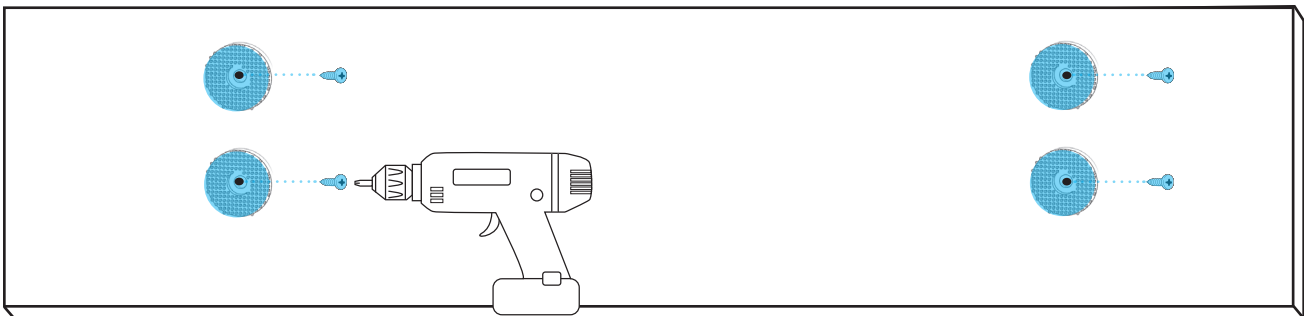
### 10.3

#### MARQUE L'EMPLACEMENT DES TAMPONS DE MAINTIEN.



### 10.5

#### FIXER LES TAMPONS DE MAINTIEN AUX POINTS.



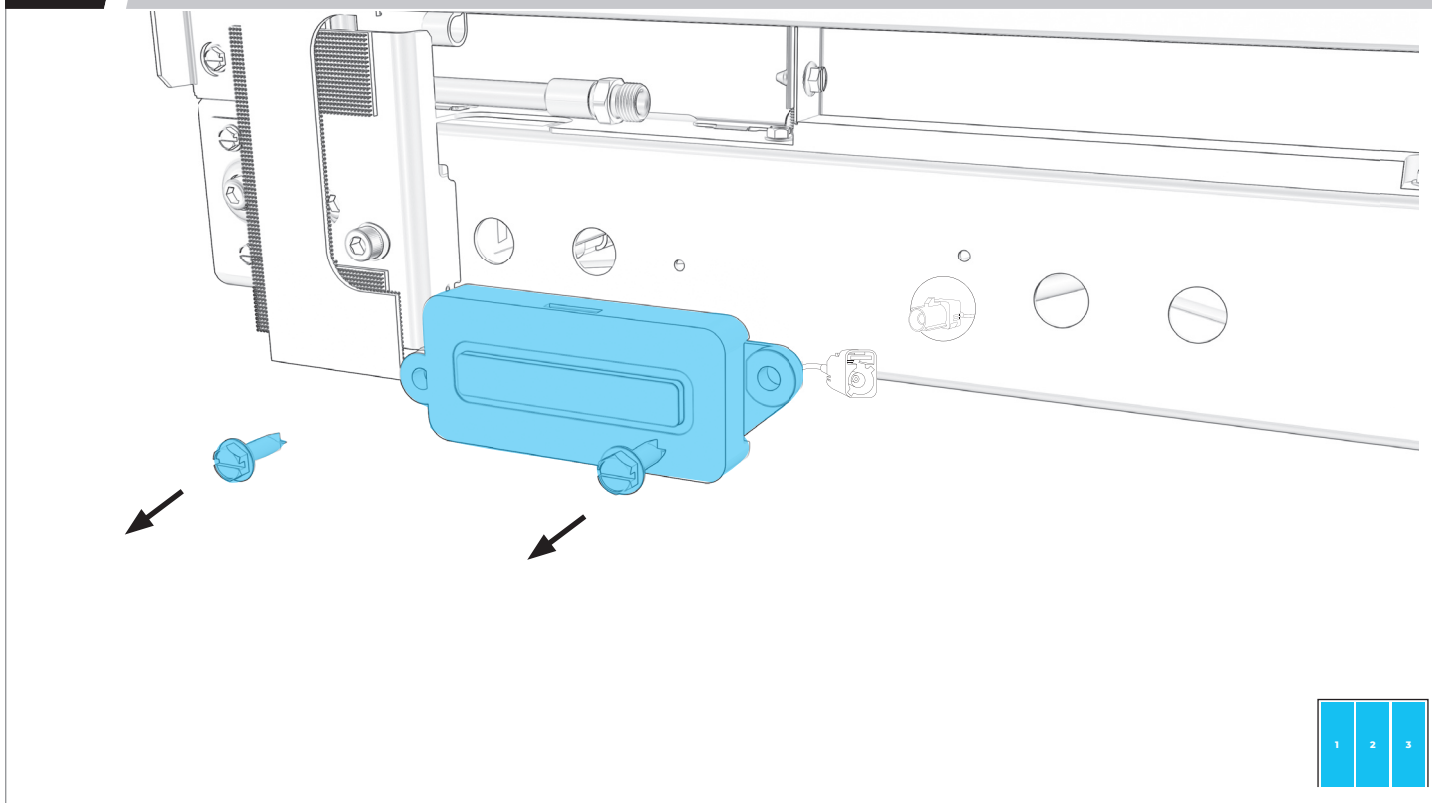
PRÉPARATION DE LA  
**P L I N T H E**  
EN ACIER INOXYDABLE

# 11

## PRÉPARATION POUR LA PLINTHE EN ACIER INOXYDABLE

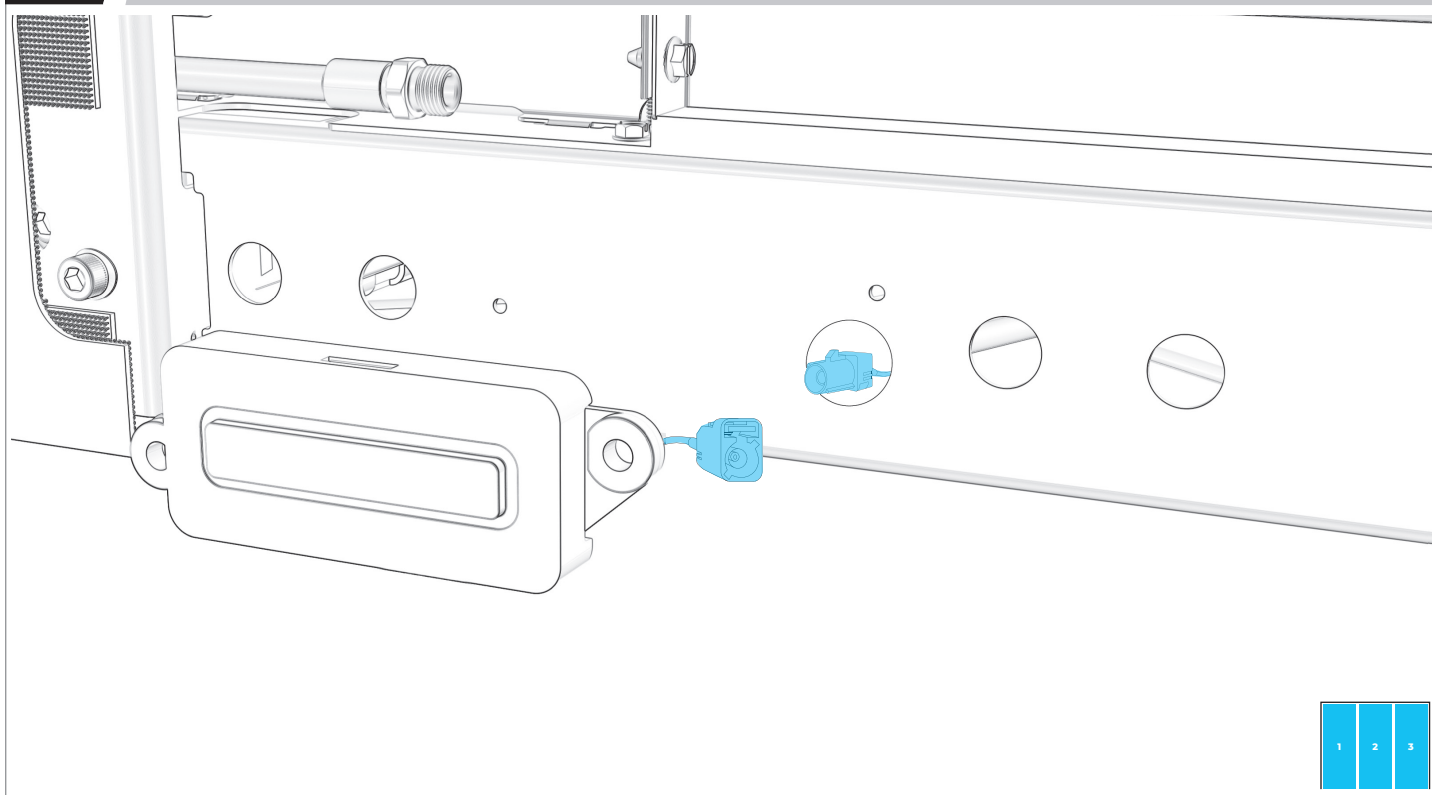
### 11.1

POUR CHAQUE APPAREIL : DÉVISSER ET JETER LE FAISCEAU DE CÂBLAGE WI-FI.



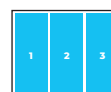
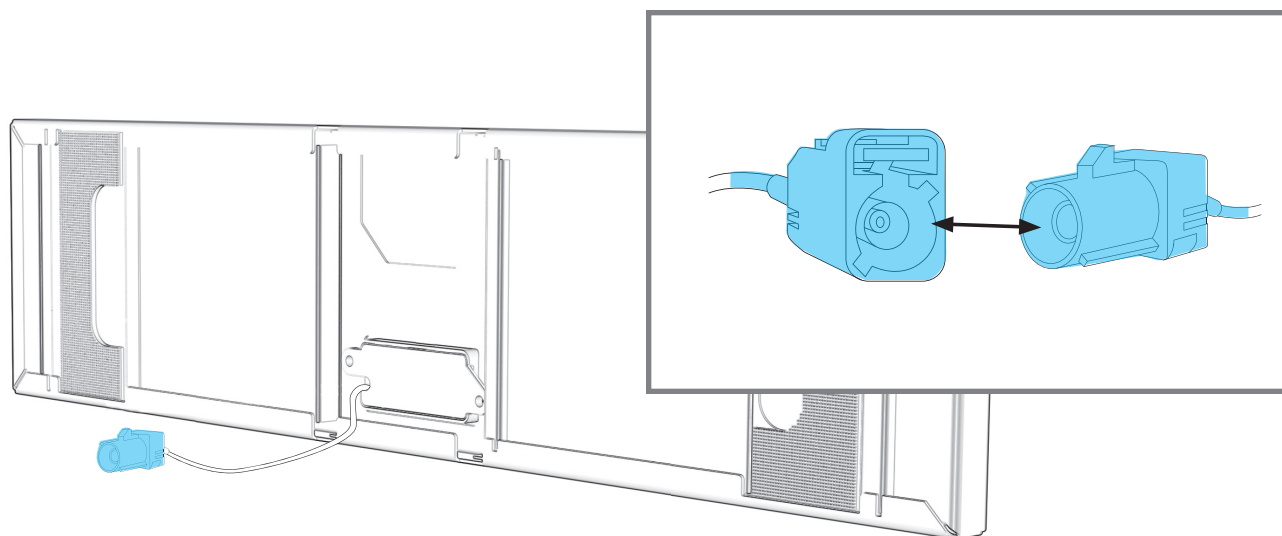
### 11.2

DÉBRANCHER LE FIL WI-FI BLEU DU FAISCEAU DE CÂBLAGE.



11.3

RELIER LES FILS BLEUS DE LA PLINTHE ET DE L'APPAREIL.

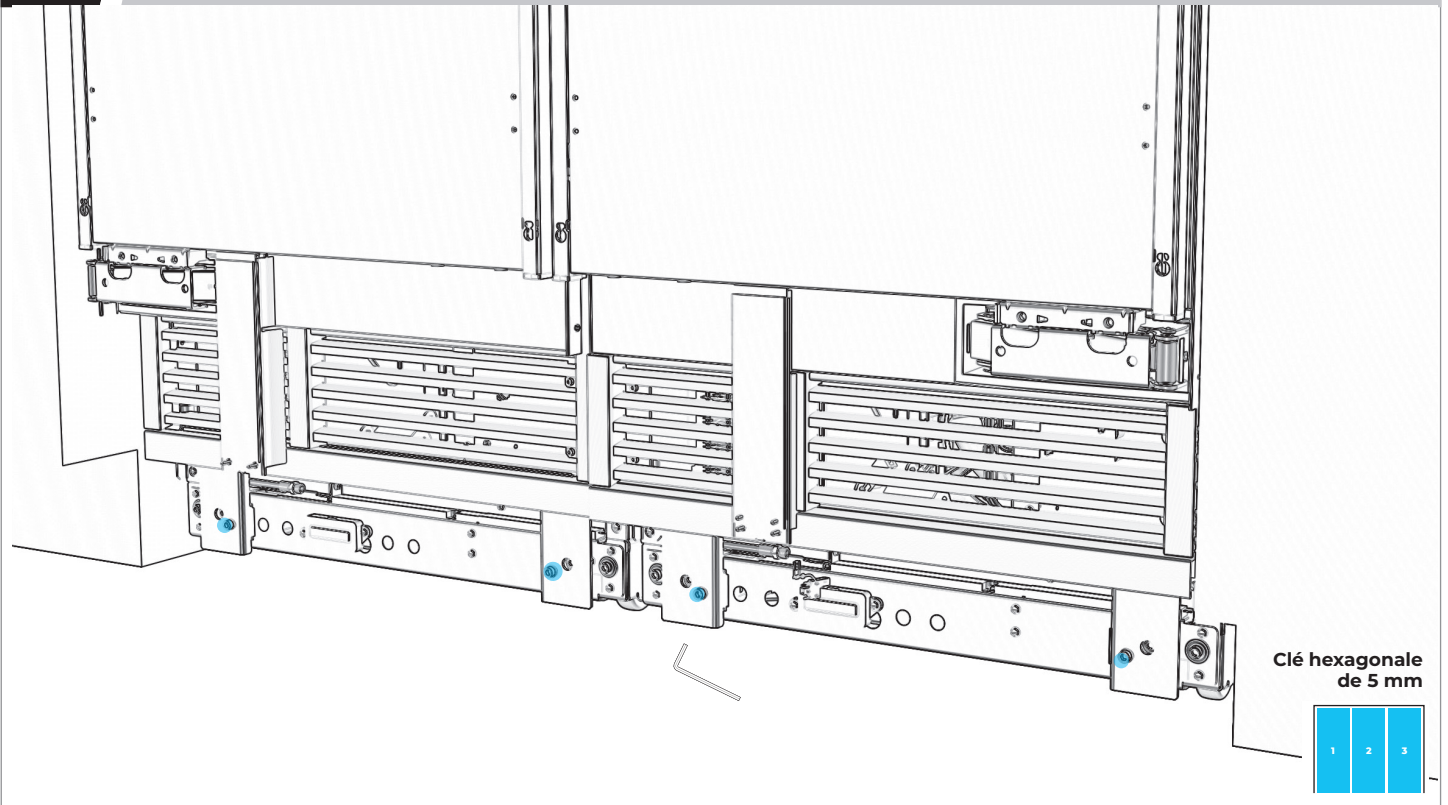


ALIGNEMENT ET INSTALLATION DE LA

PLINTE

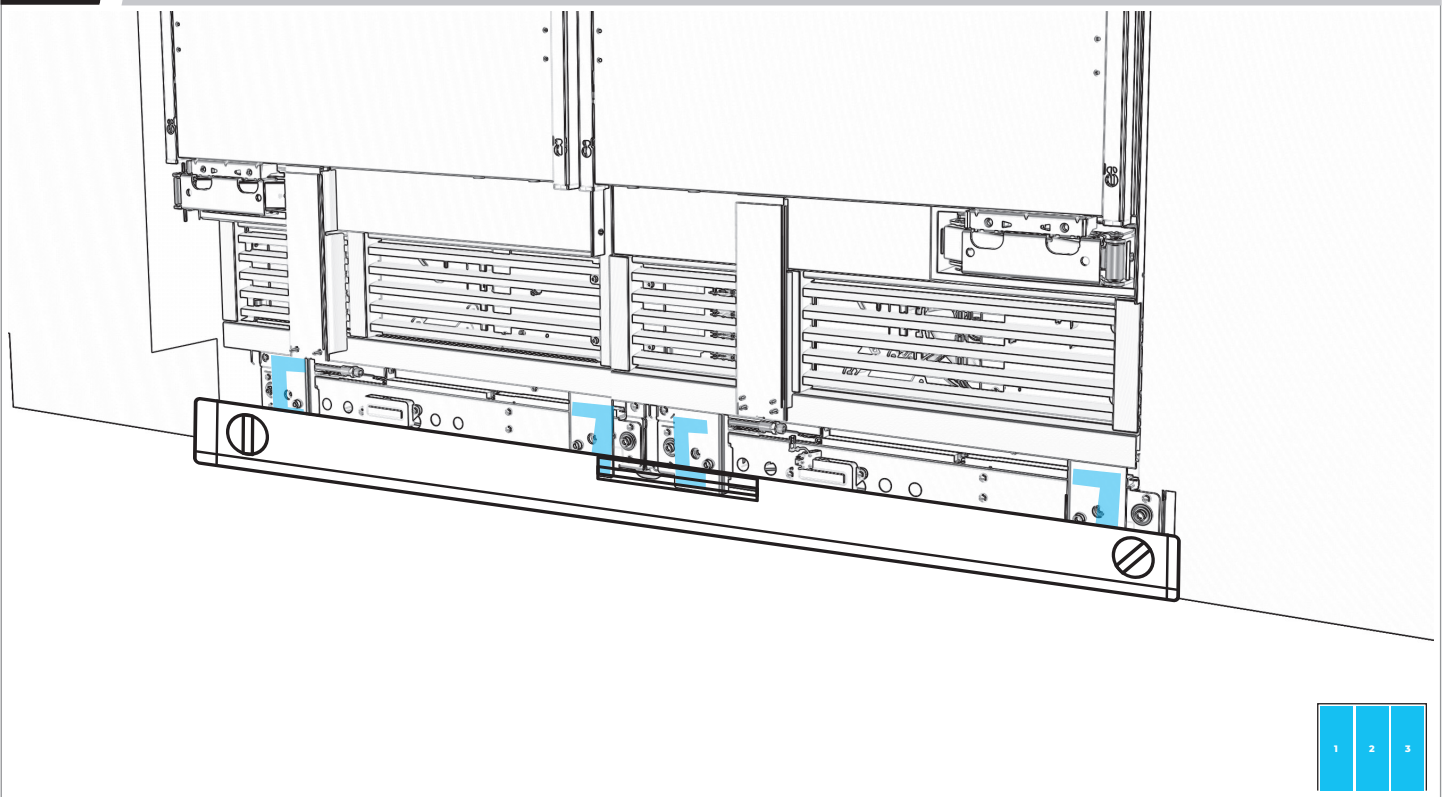
## 12.1

ALIGNER LES SUPPORTS DE LA PLINTHE AVEC LA PLINTHE DU MEUBLE.



## 12.2

VÉRIFIER QUE LES SUPPORTS SONT TOUS ALIGNÉS.

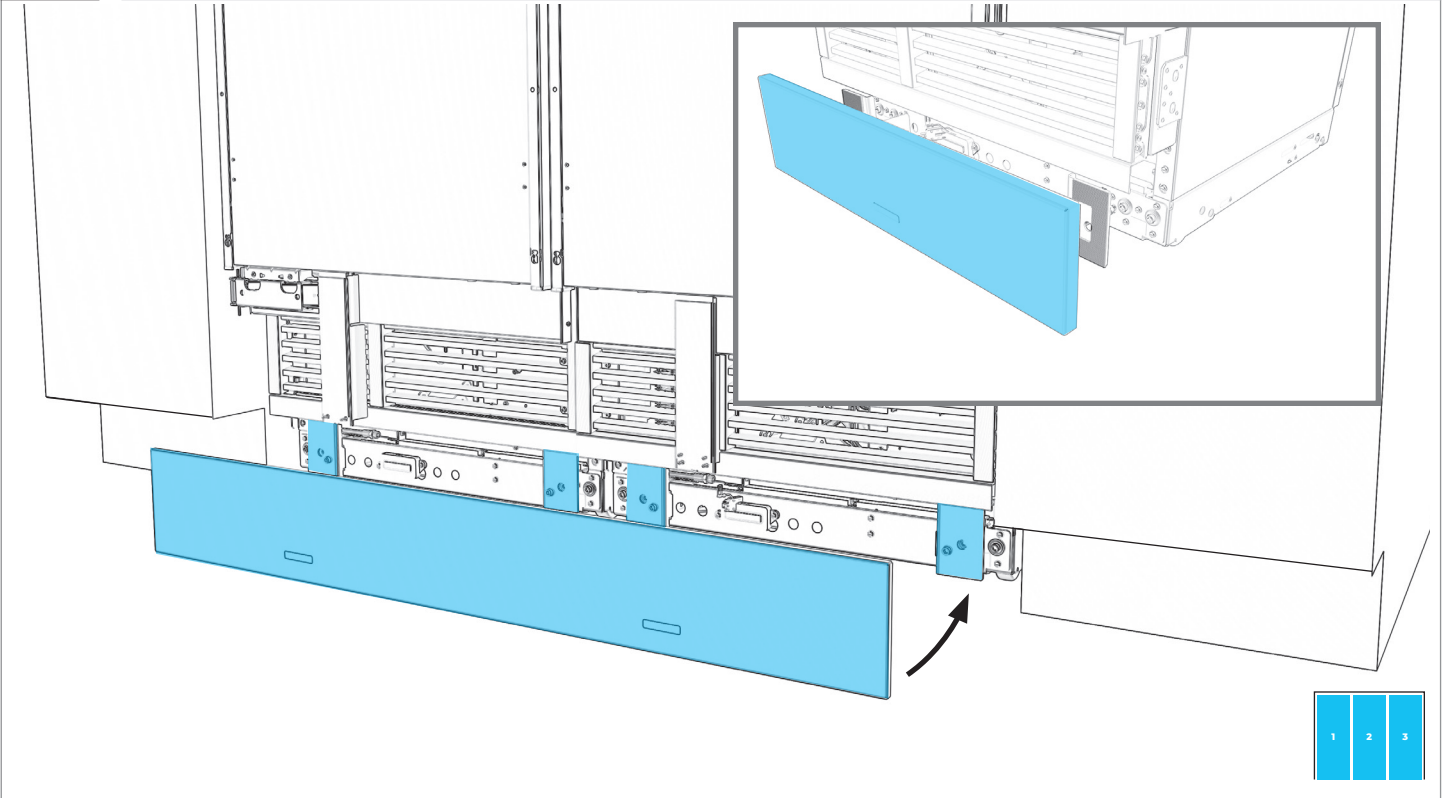


# 12

## ALIGNEMENT ET INSTALLATION DE LA PLINTHE

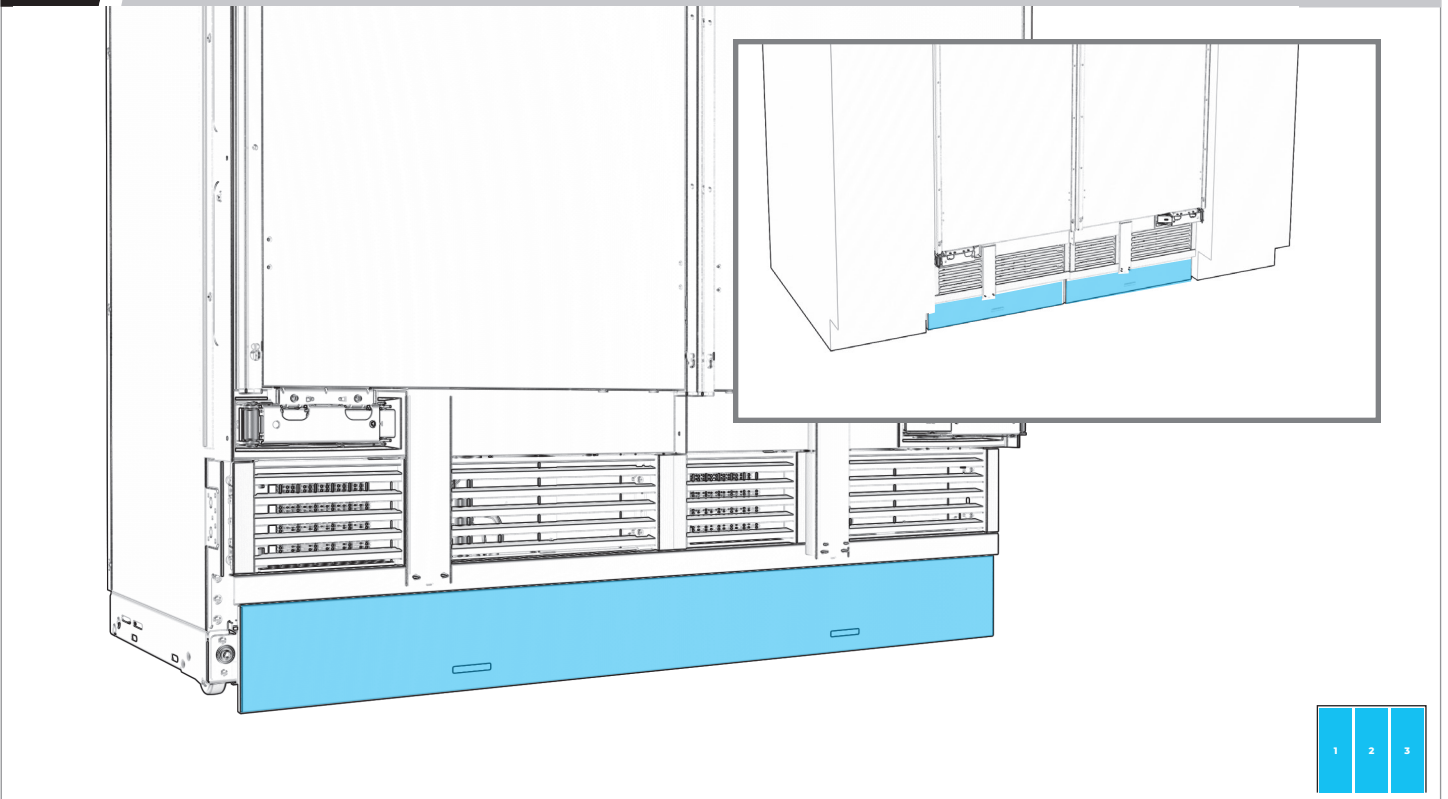
### 12.3

ALIGNER LES TAMPONS DE MAINTIEN DE LA PLINTHE AVEC LES SUPPORTS.



### 12.4

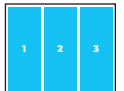
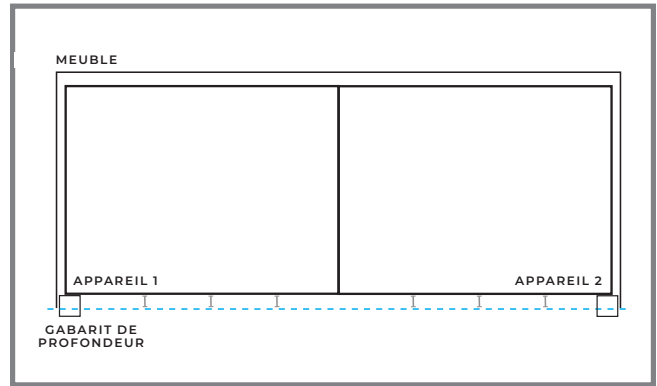
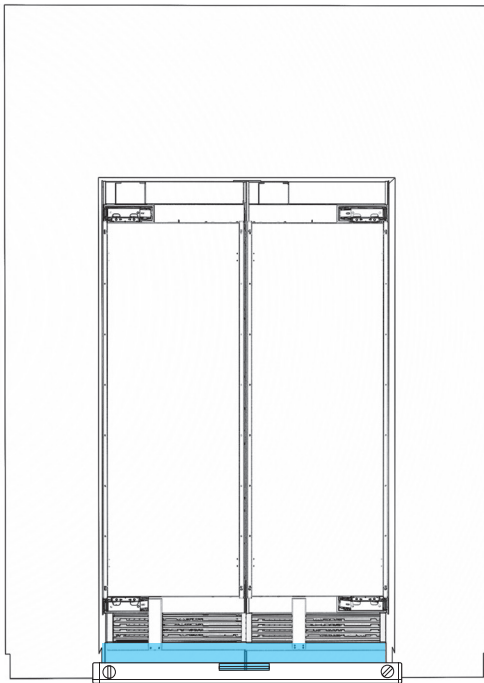
PRESSER FERMEMENT POUR FIXER.





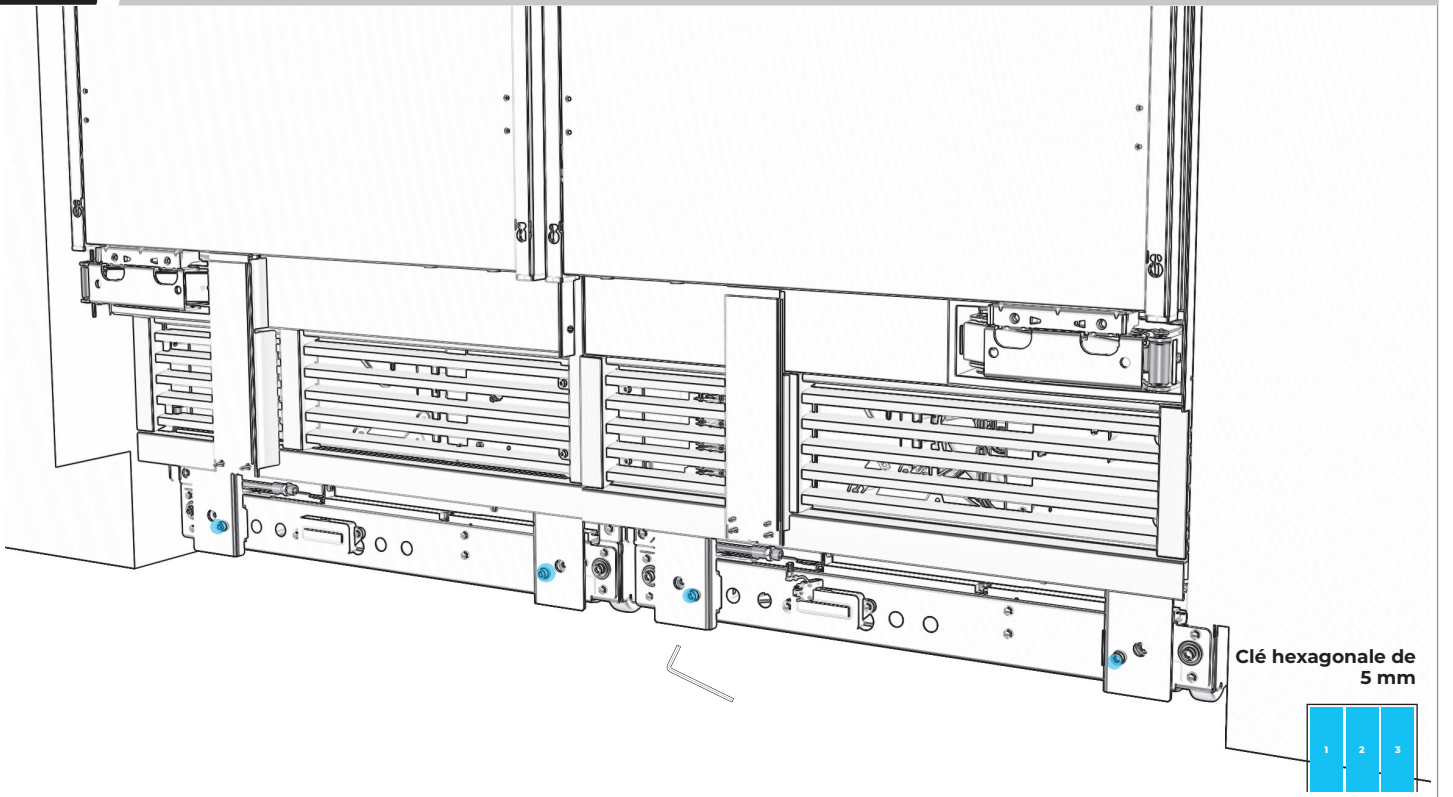
12.5

MESURER L'ÉCART. S'IL Y A UN ÉCART, ENLEVER LA PLINTHE.



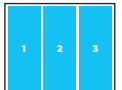
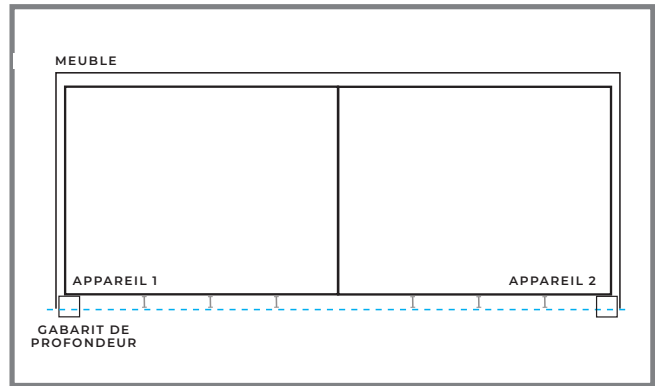
12.6

AJUSTER LES SUPPORTS POUR ALIGNER LA PLINTHE.



12.7

CONFIRMER L'ALIGNEMENT ET RÉALIGNER AU BESOIN.



PRÉPARATION DU

**P A N N E A U**

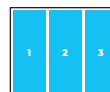
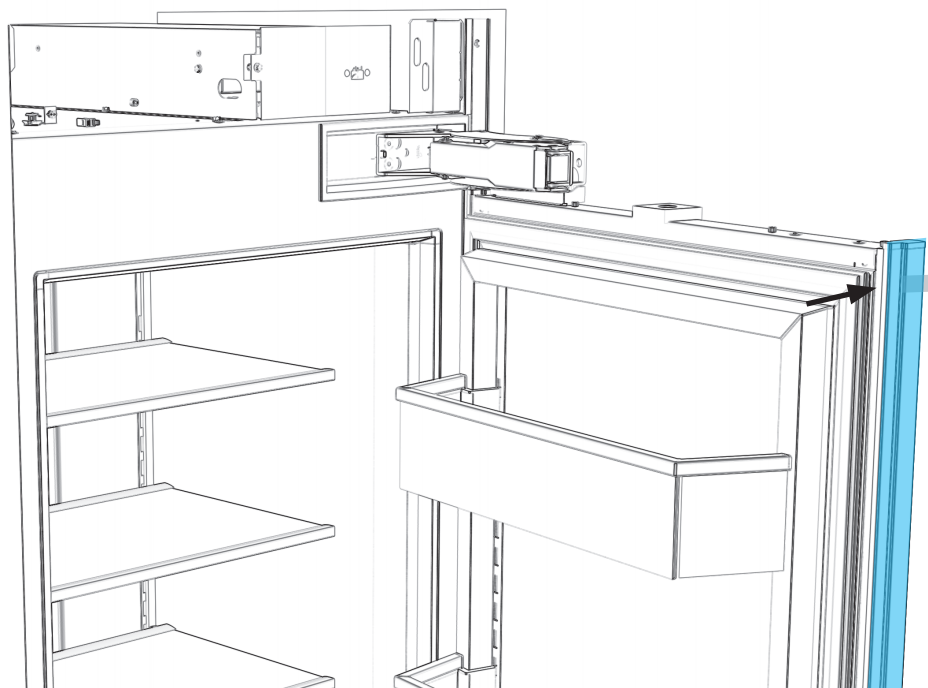
DE BOIS PERSONNALISÉ

# 13

## PRÉPARATION DU PANNEAU DE BOIS PERSONNALISÉ

### 13.1

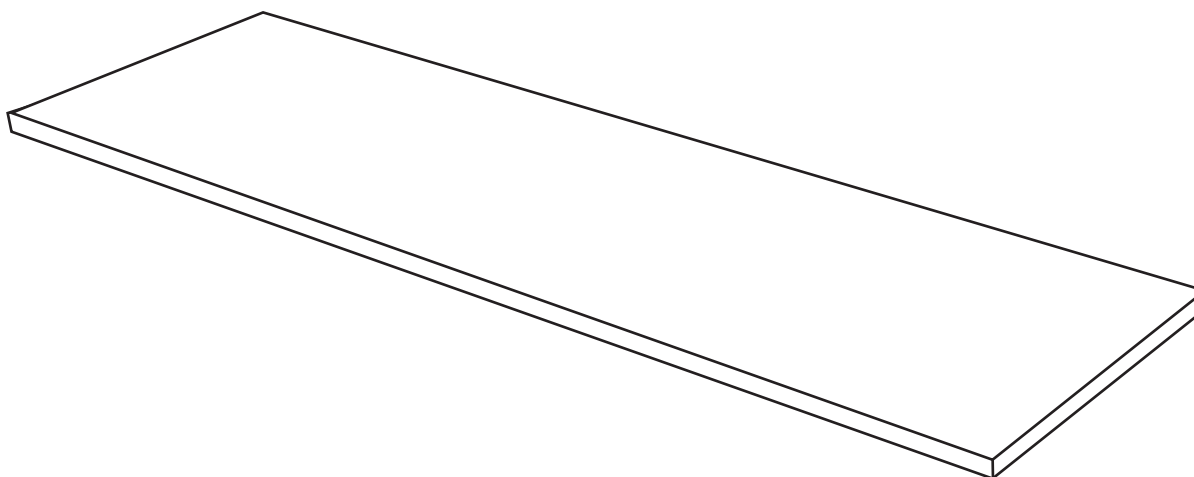
RETIRER LE RUBAN POUR FAIRE SORTIR LA GARNITURE DE SUPPORT.



EFFECTUER TOUTES LES ÉTAPES POUR CHAQUE APPAREIL.

### 13.2

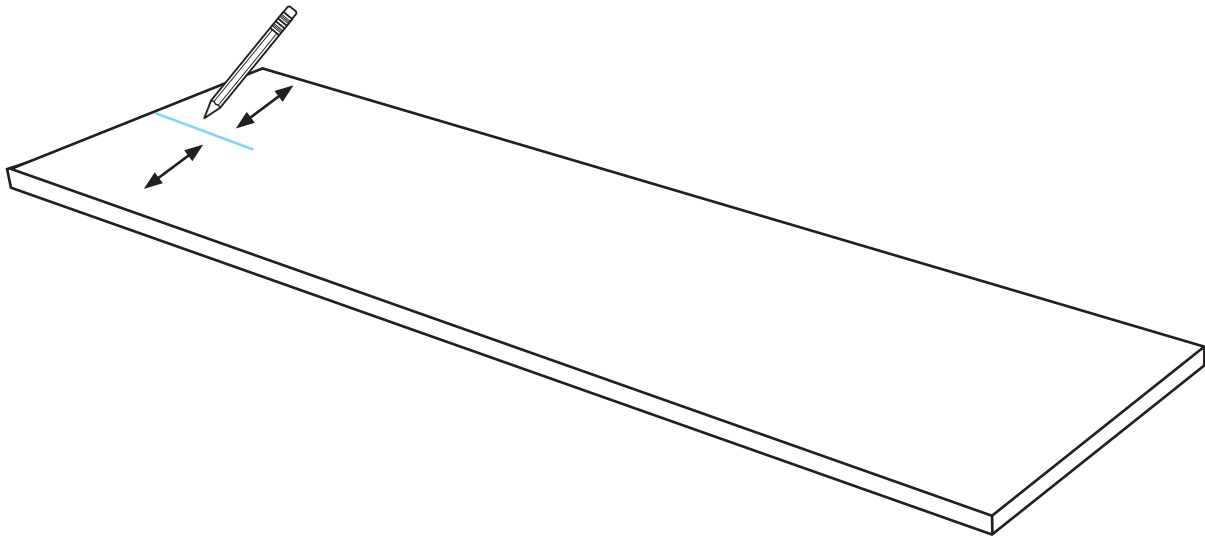
PLACER LE PANNEAU FACE VERS LE BAS.



PLACER SUR UNE SURFACE PLANE ET COUVERTE.

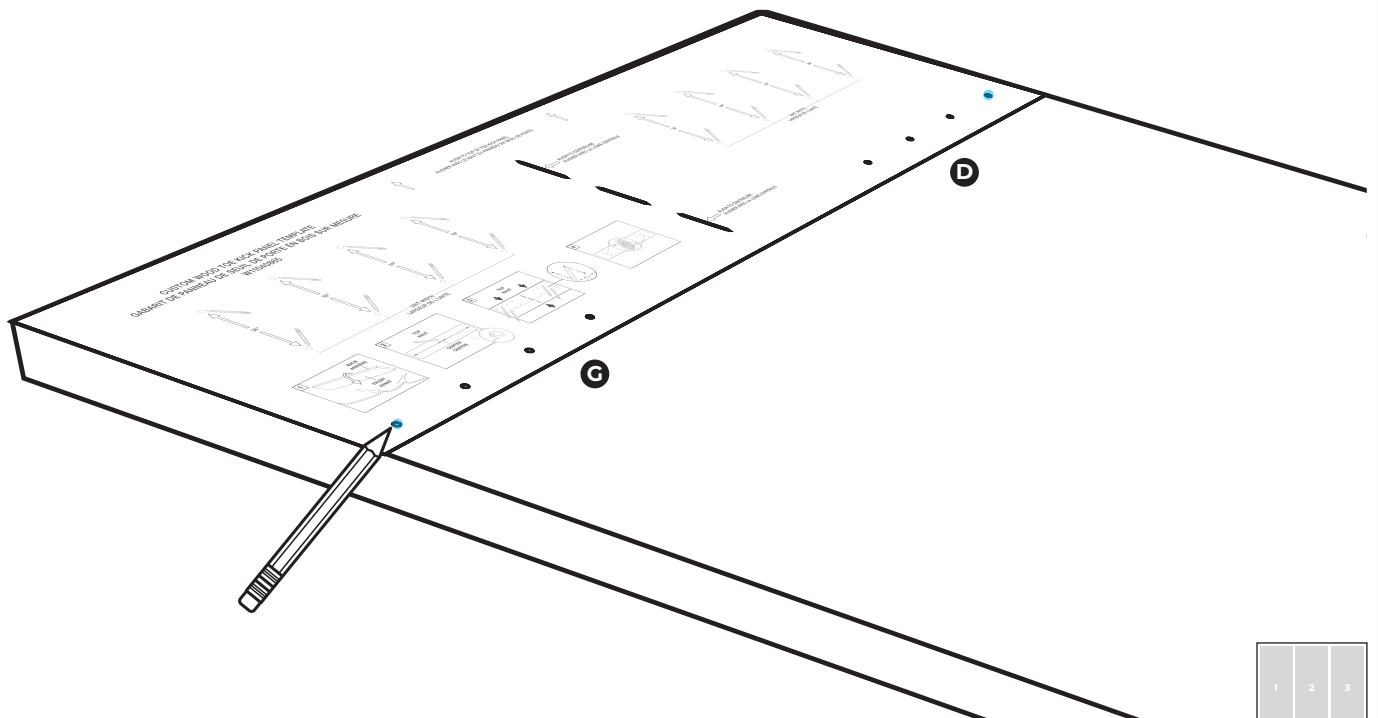
13.3

MESURER ET MARQUER LE CENTRE DU PANNEAU.



13.4

MARQUE LES TROUS GAUCHE ET DROIT.

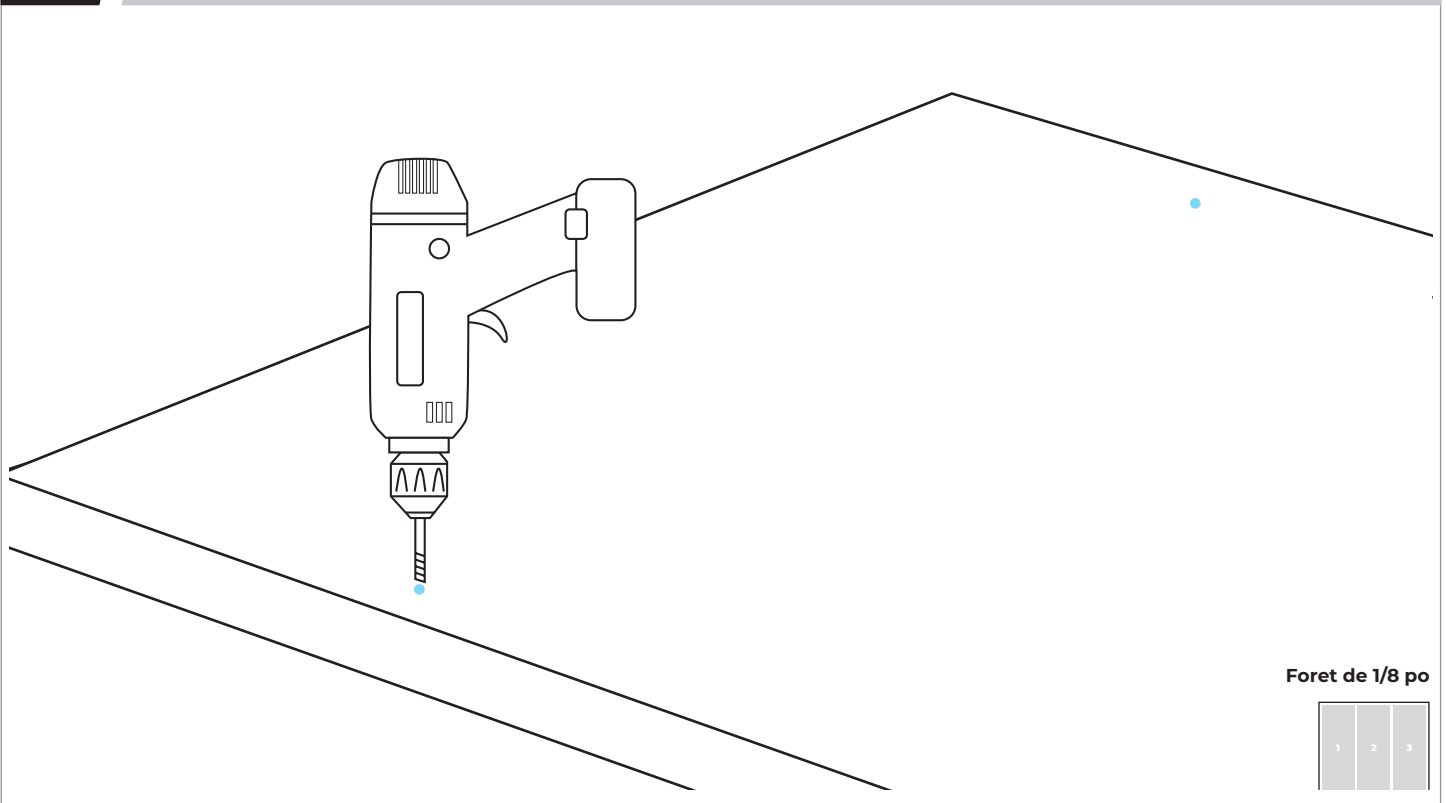


# 13

## PRÉPARATION DU PANNEAU DE BOIS PERSONNALISÉ

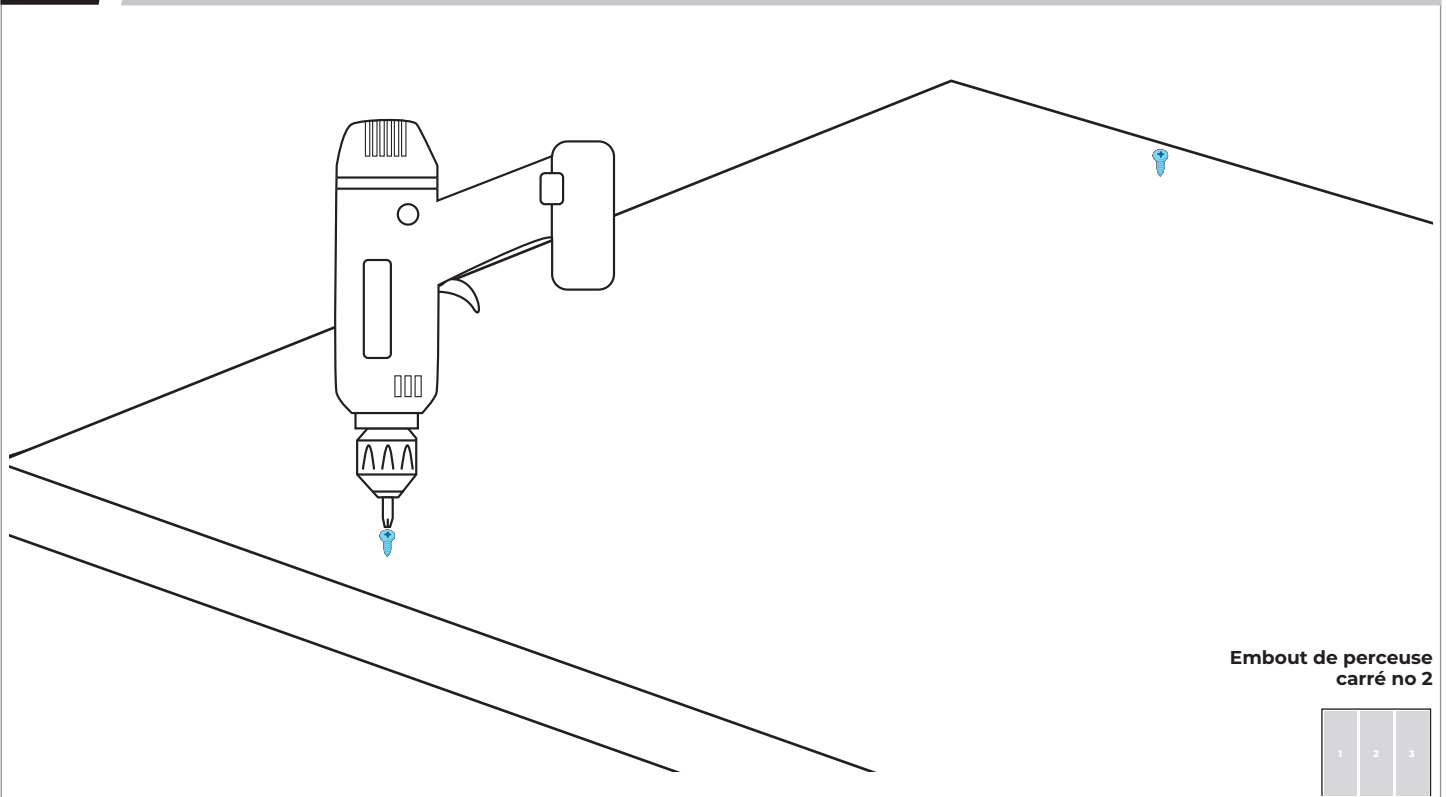
### 13.5

#### PERCER LES TROUS.



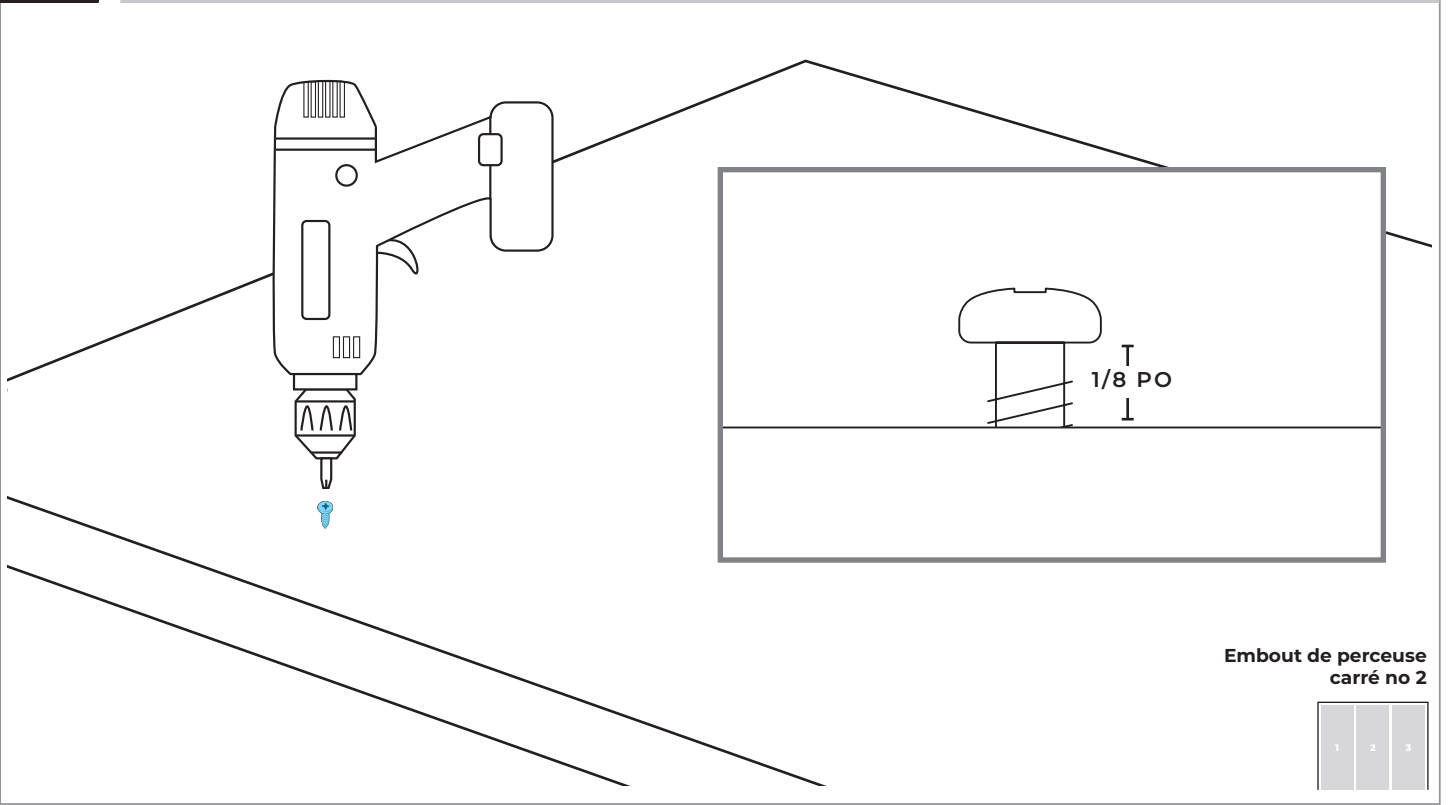
### 13.6

#### PLACER DES ATTACHES DANS LES TROUS PRÉPERCÉS.



13.7

S'ASSURER QU'IL Y A UN ESPACE DE 1/8 PO (3,2 MM).



Embout de perceuse  
carré no 2

PRÉPARATION DU

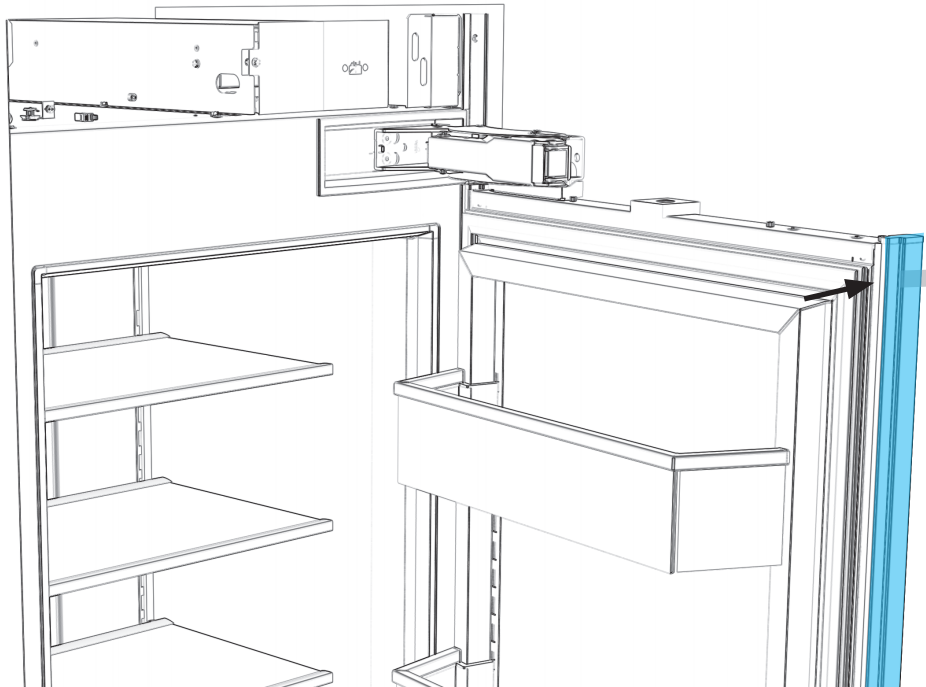
**P A N N E A U**

EN ACIER INOXYDABLE



14.1

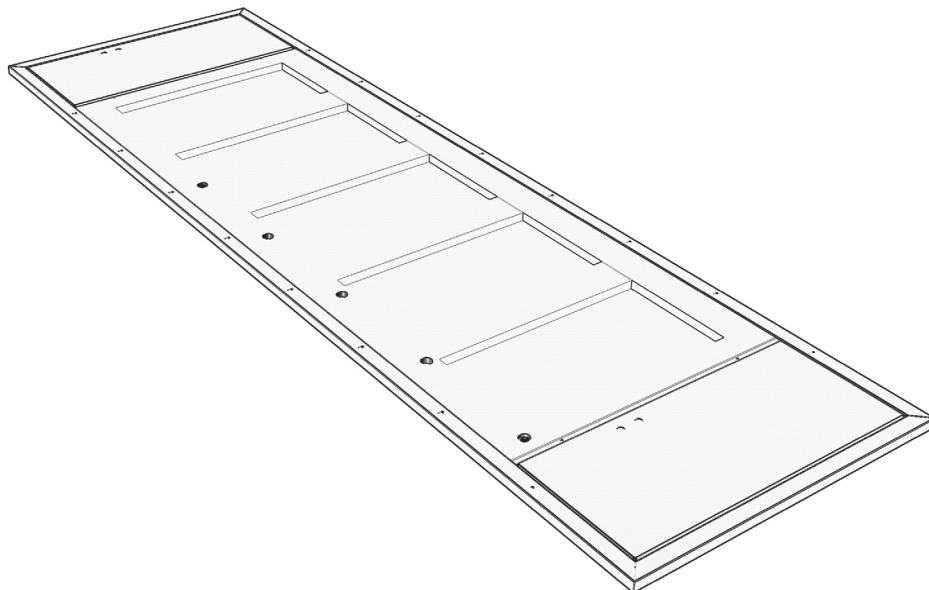
RETIRER LE RUBAN POUR FAIRE SORTIR LA GARNITURE DE SUPPORT.



EFFECTUER TOUTES LES ÉTAPES POUR CHAQUE APPAREIL.

14.2

PLACER LE PANNEAU FACE VERS LE BAS.



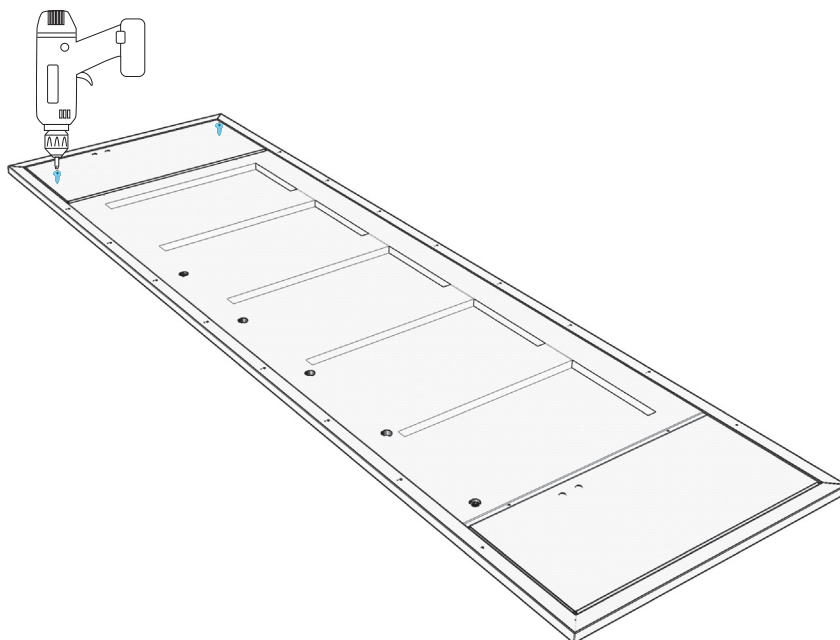
PLACER SUR UNE SURFACE PLANE ET COUVERTE

# 14

## PRÉPARATION DU PANNEAU EN ACIER INOXYDABLE

### 14.3

PLACER DES ATTACHES DANS LES TROUS PRÉPERCÉS.

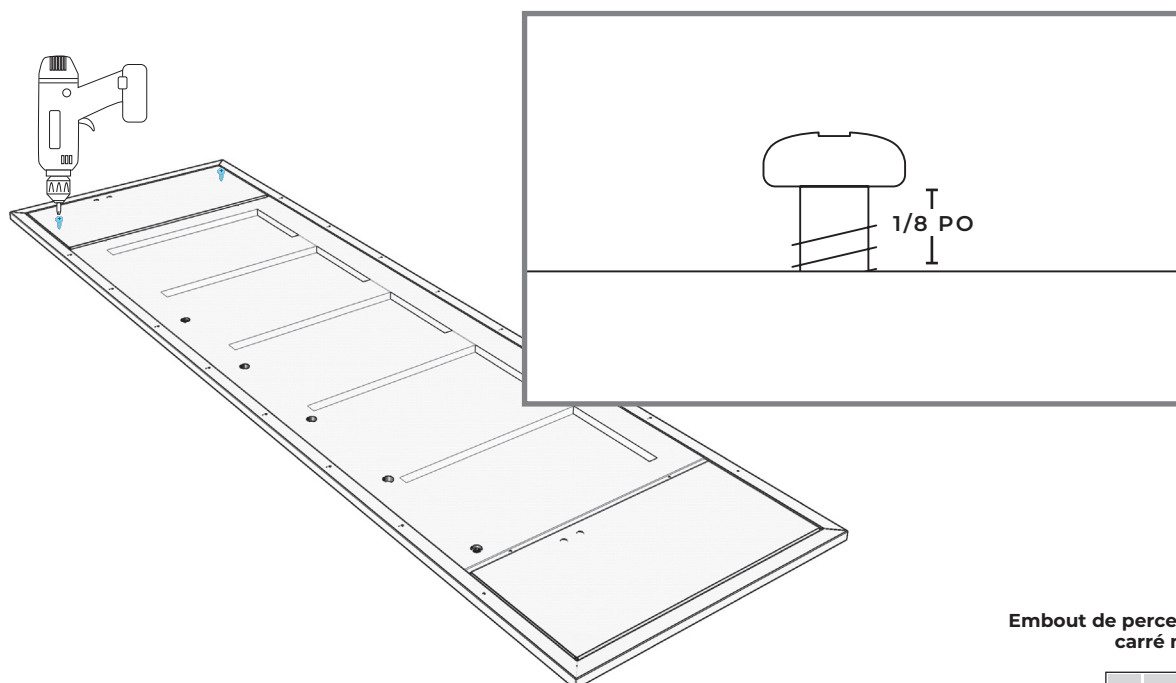


Embout de perceuse carré no 2



### 14.4

S'ASSURER QU'IL Y A UN ESPACE DE 1/8 PO (3,2 MM).



Embout de perceuse carré no 2



# 15

SUSPENSION ET ALIGNEMENT DU

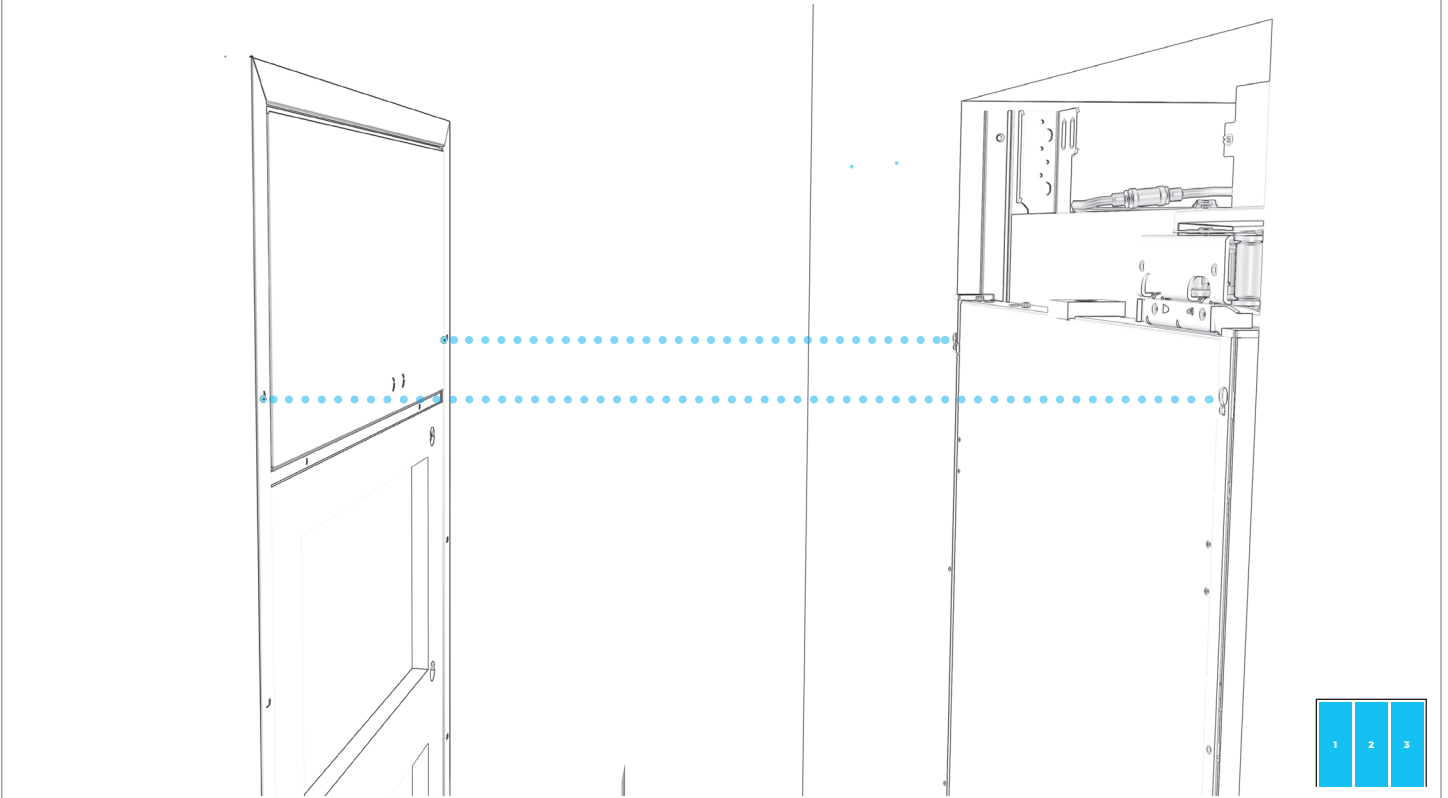
# PANNEAU

# 15

## SUSPENSION ET ALIGNEMENT DU PANNEAU

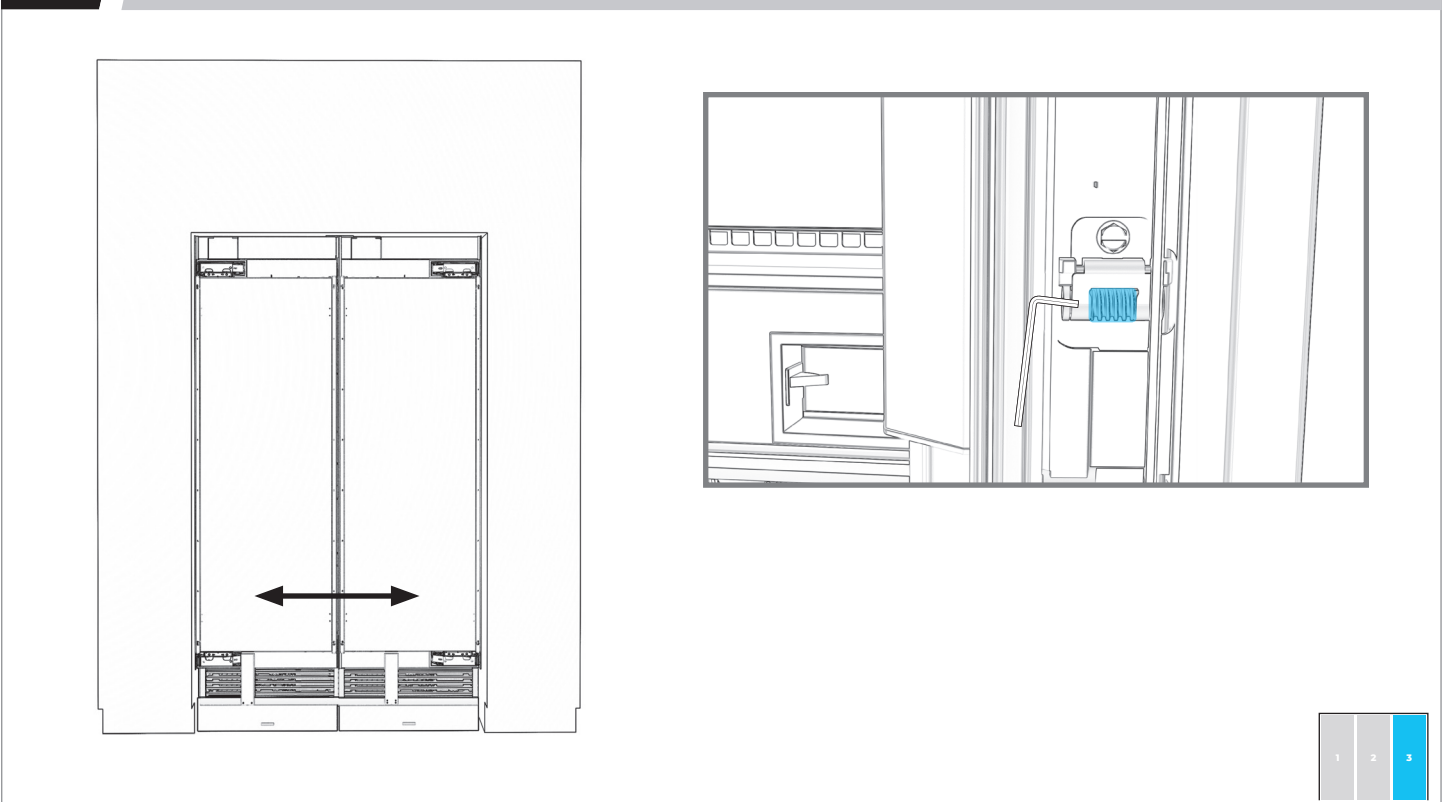
### 15.1

POUR CHAQUE APPAREIL : PLACER LES ATTACHES DANS LES FENTES DU HAUT DES GARNITURES  
D'AJUSTEMENT DE PORTE.



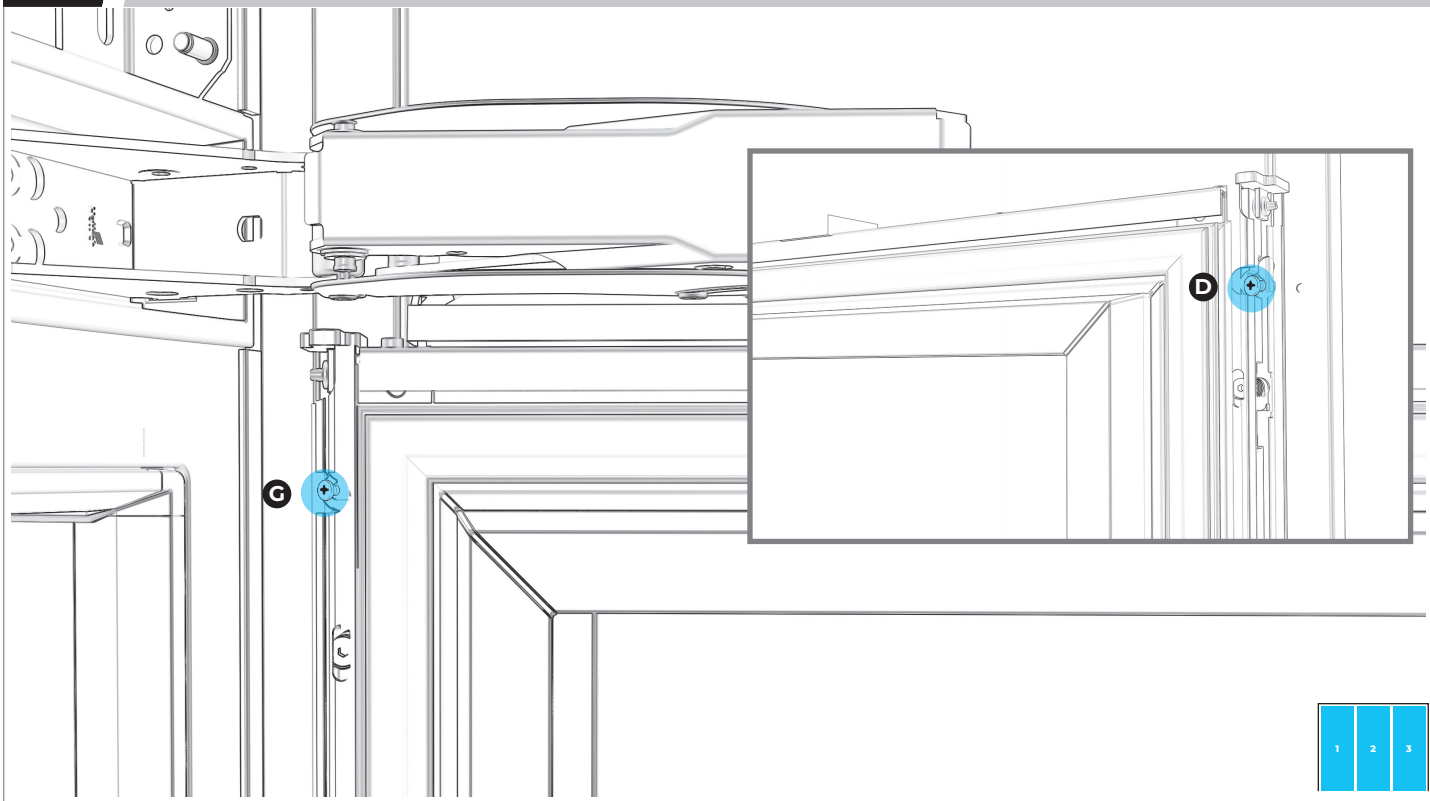
### 15.2

POUR CHAQUE APPAREIL : AJUSTER MANUELLEMENT LA POSITION DU PANNEAU DE PORTE.



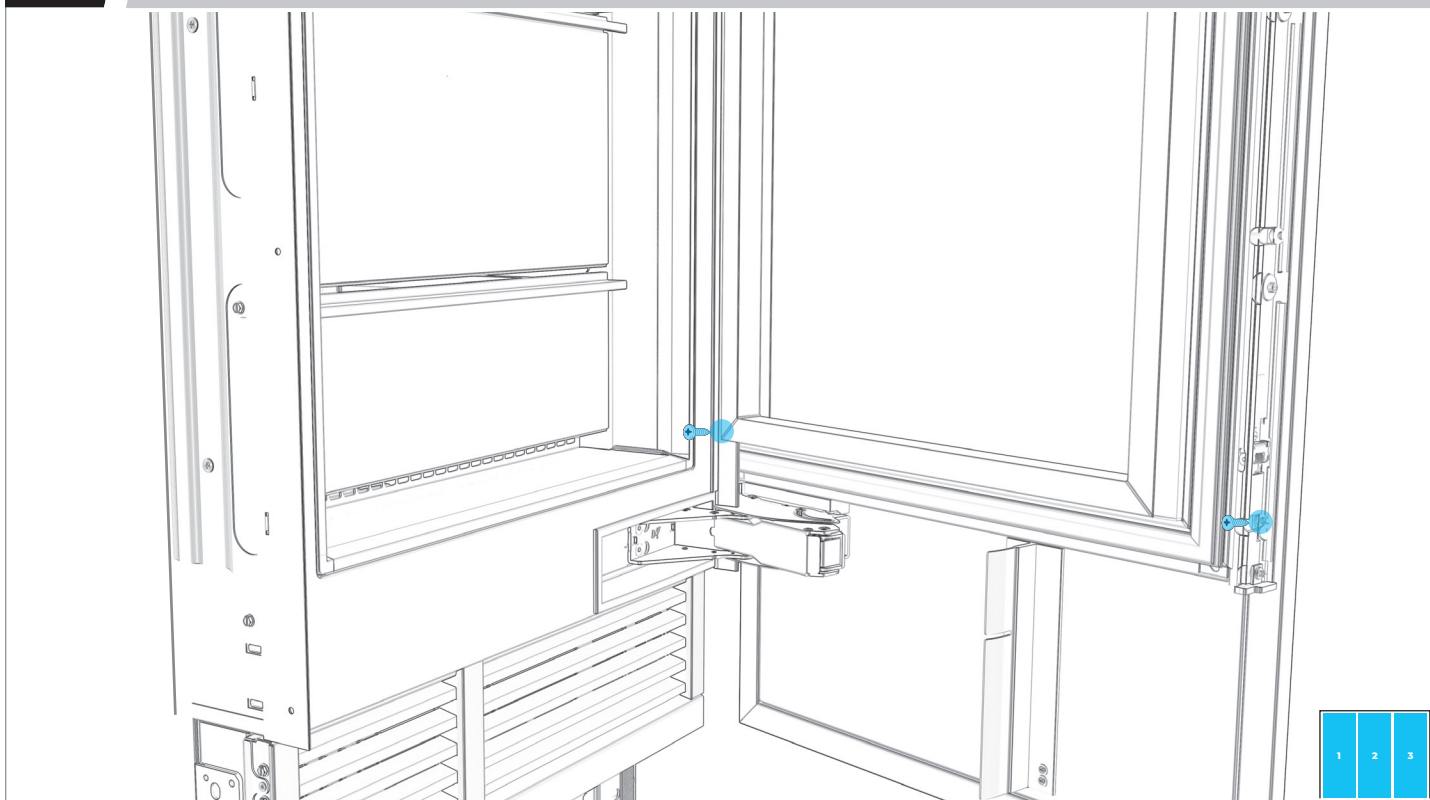
## 15.3

POUR CHAQUE APPAREIL : SERRER LES DEUX ATTACHES SUPÉRIEURES.



## 15.4

POUR CHAQUE APPAREIL : PLACER SANS SERRER DEUX ATTACHES DU BAS.

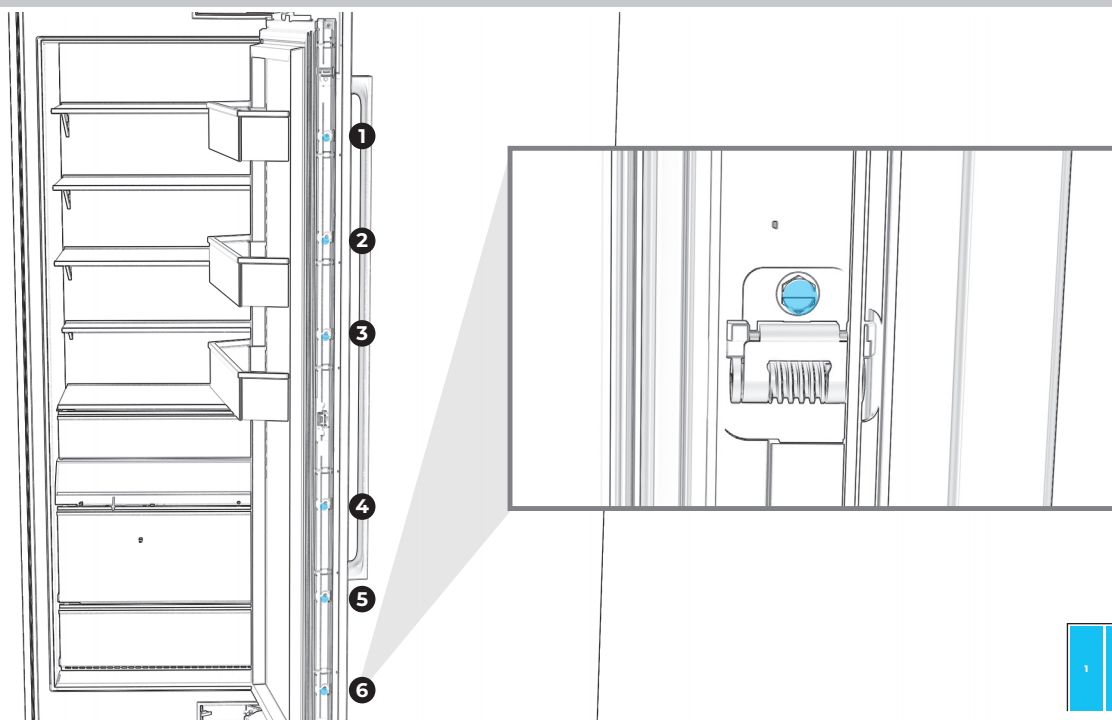


# 15

## SUSPENSION ET ALIGNEMENT DU PANNEAU

### 15.5

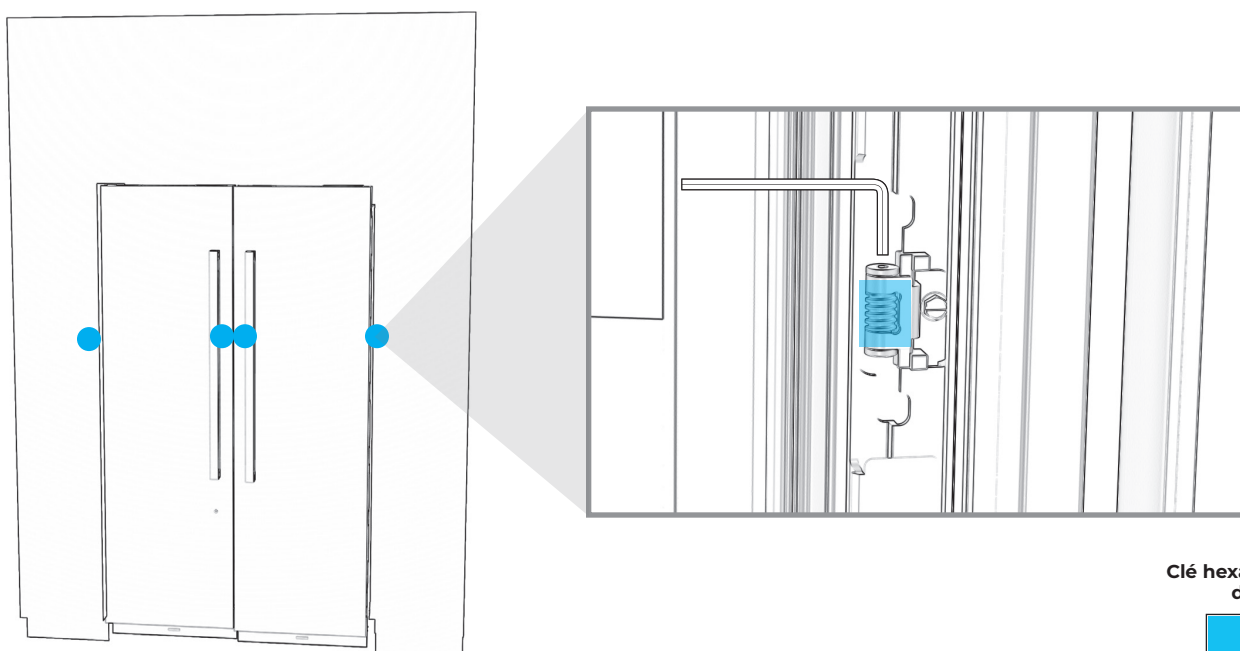
POUR CHAQUE APPAREIL : DESSERRER SIX VIS D'AJUSTEMENT PAR CÔTÉ.



UTILISER UN ADAPTATEUR À ANGLE DROIT POUR PLUS DE FACILITÉ.

### 15.6

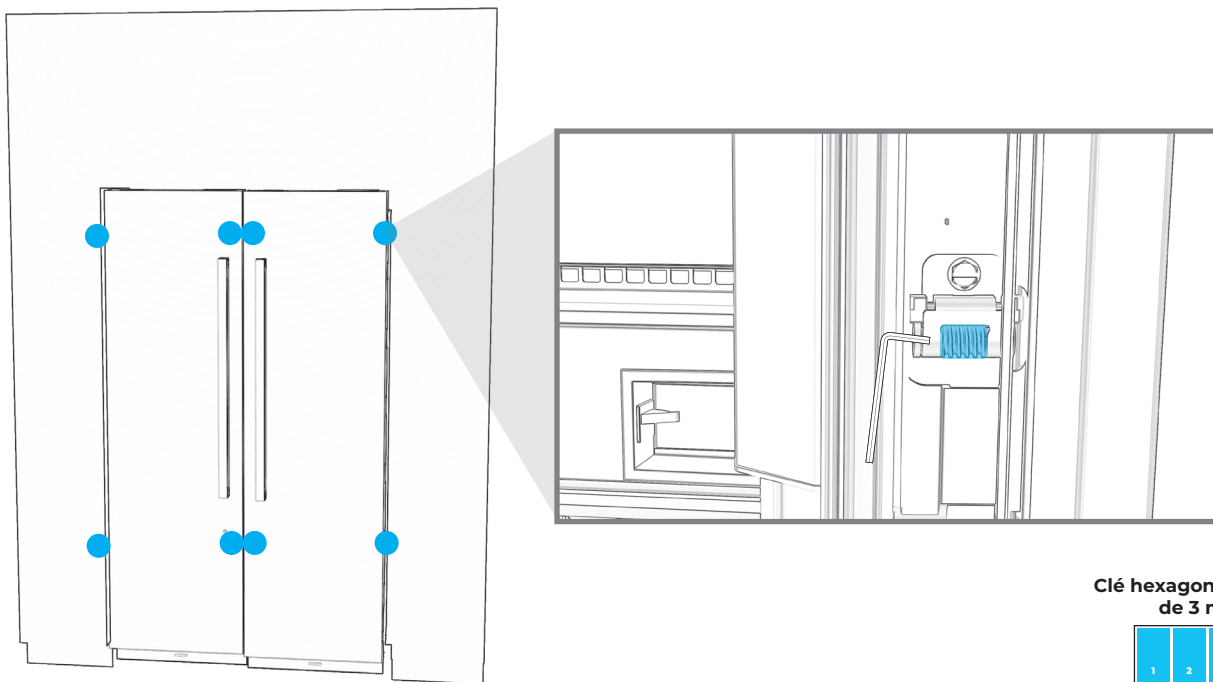
POUR CHAQUE APPAREIL : AJUSTER LA HAUTEUR DU PANNEAU DE PORTE.



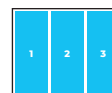
Clé hexagonale  
de 3 mm

## 15.7

POUR CHAQUE APPAREIL : AJUSTER LA PROFONDEUR DE PORTE.

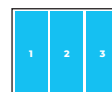
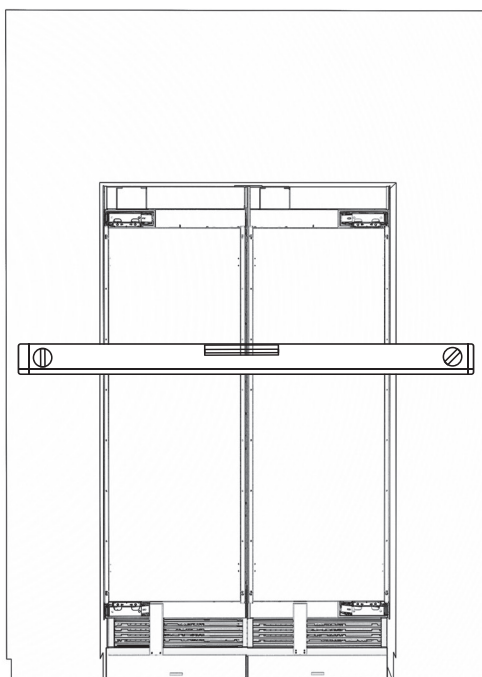


Clé hexagonale  
de 3 mm



## 15.8

POUR CHAQUE APPAREIL : VÉRIFIER QUE LES PANNEAUX DE PORTE SONT ALIGNÉS ENTRE EUX ET AVEC LE MEUBLE.

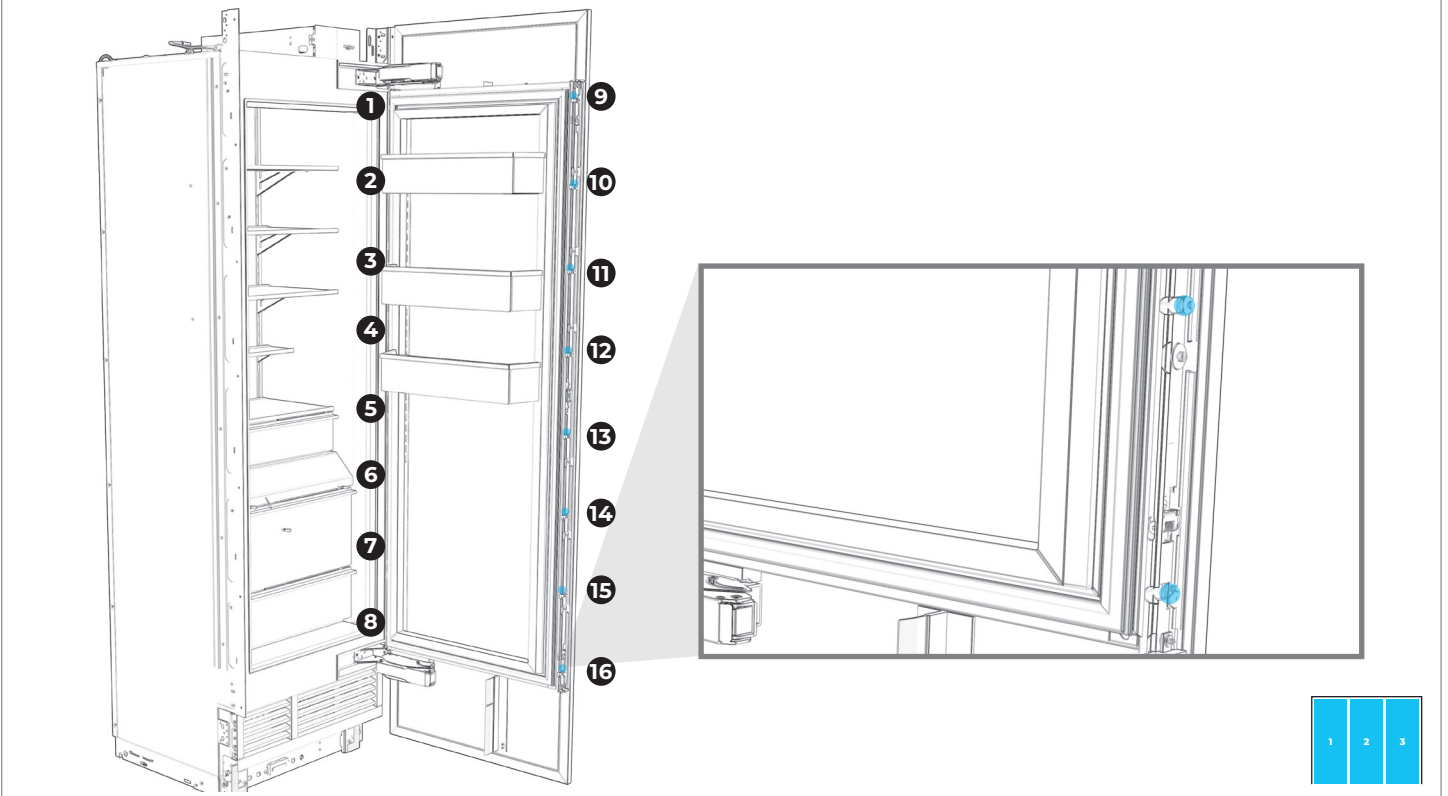


# 15

## SUSPENSION ET ALIGNEMENT DU PANNEAU

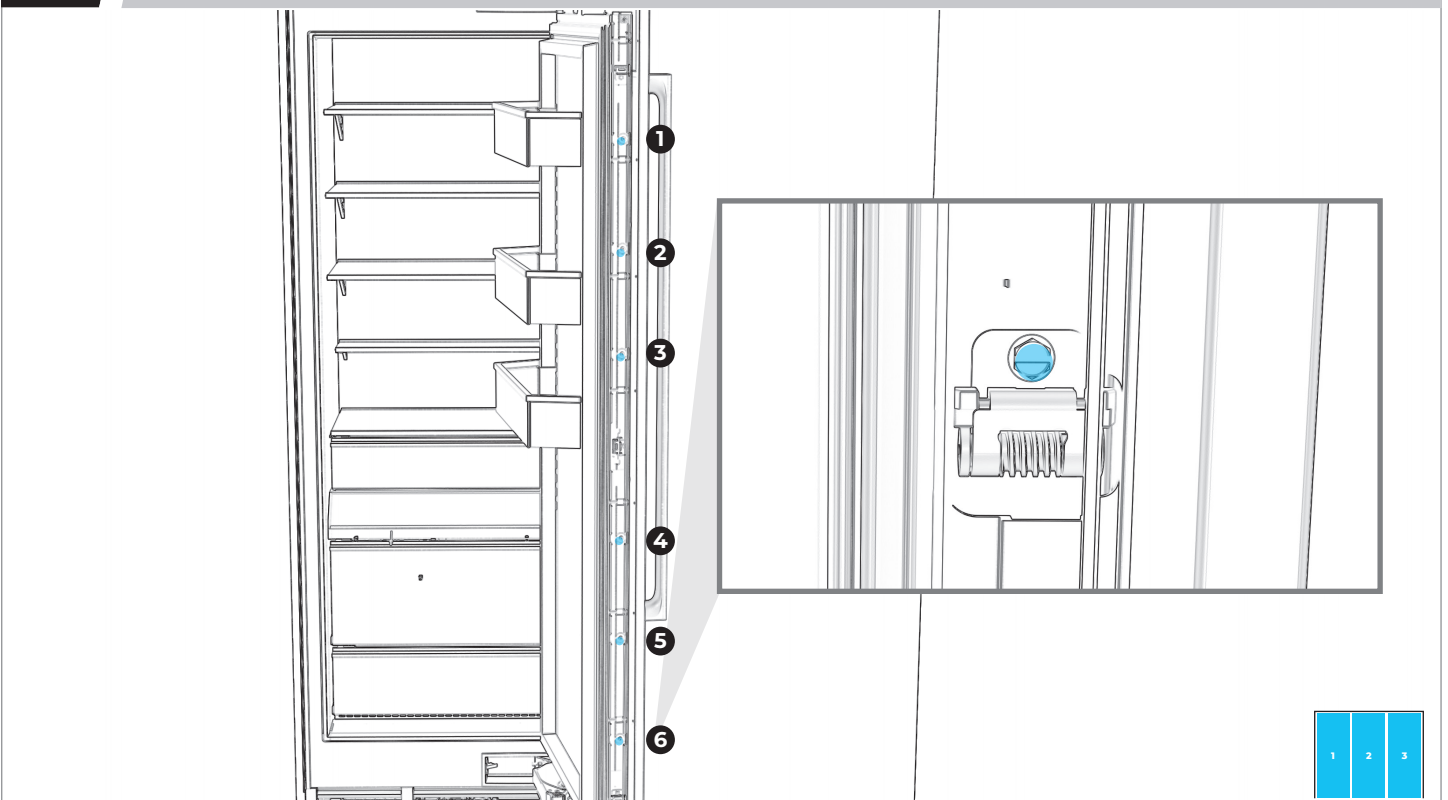
### 15.9

POUR CHAQUE APPAREIL : PLACER ET SERRER LES 16 ATTACHES.



### 15.10

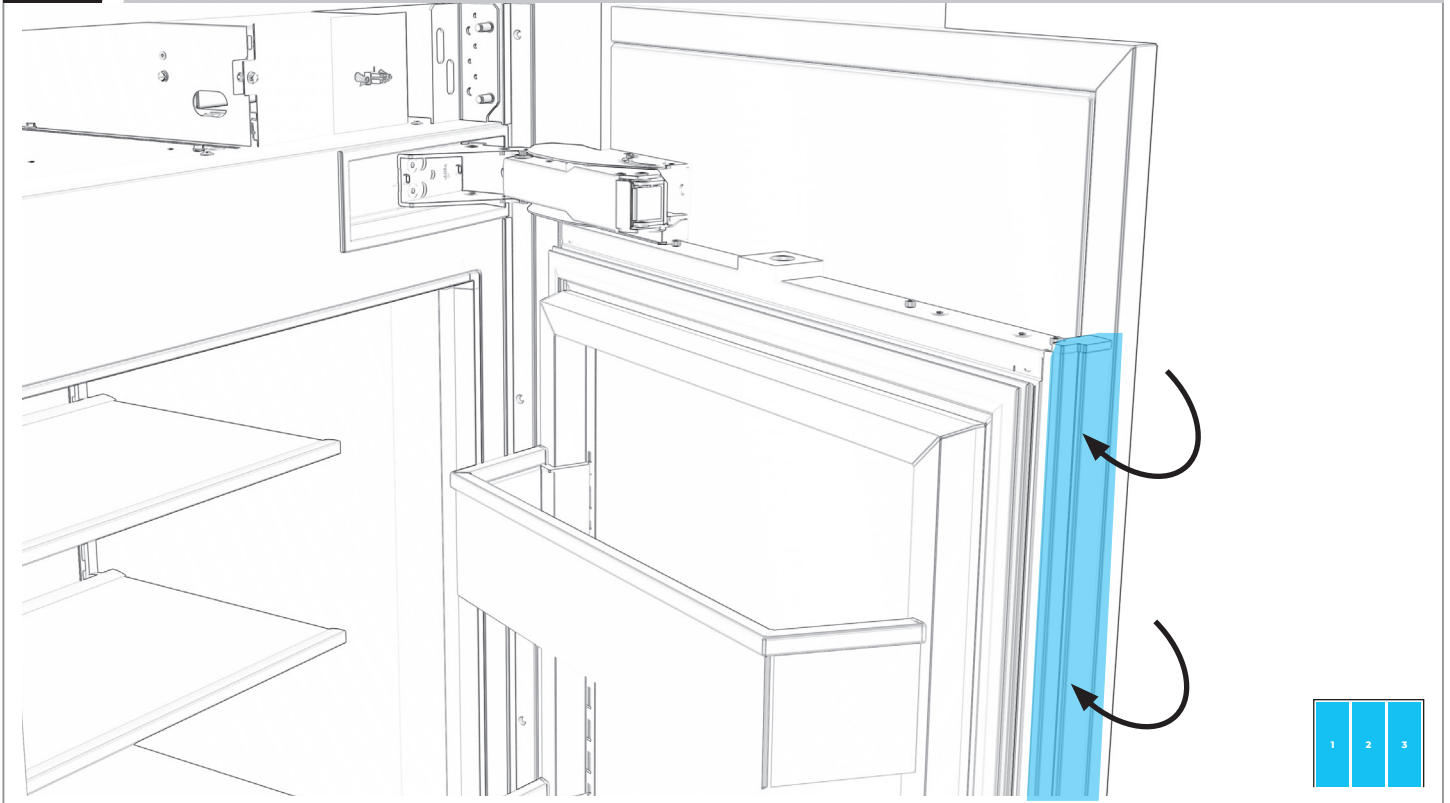
POUR CHAQUE APPAREIL : SERRER LE PANNEAU DE PORTE.





15.11

POUR CHAQUE APPAREIL : RÉINSTALLER LES GARNITURES DE SUPPORT.

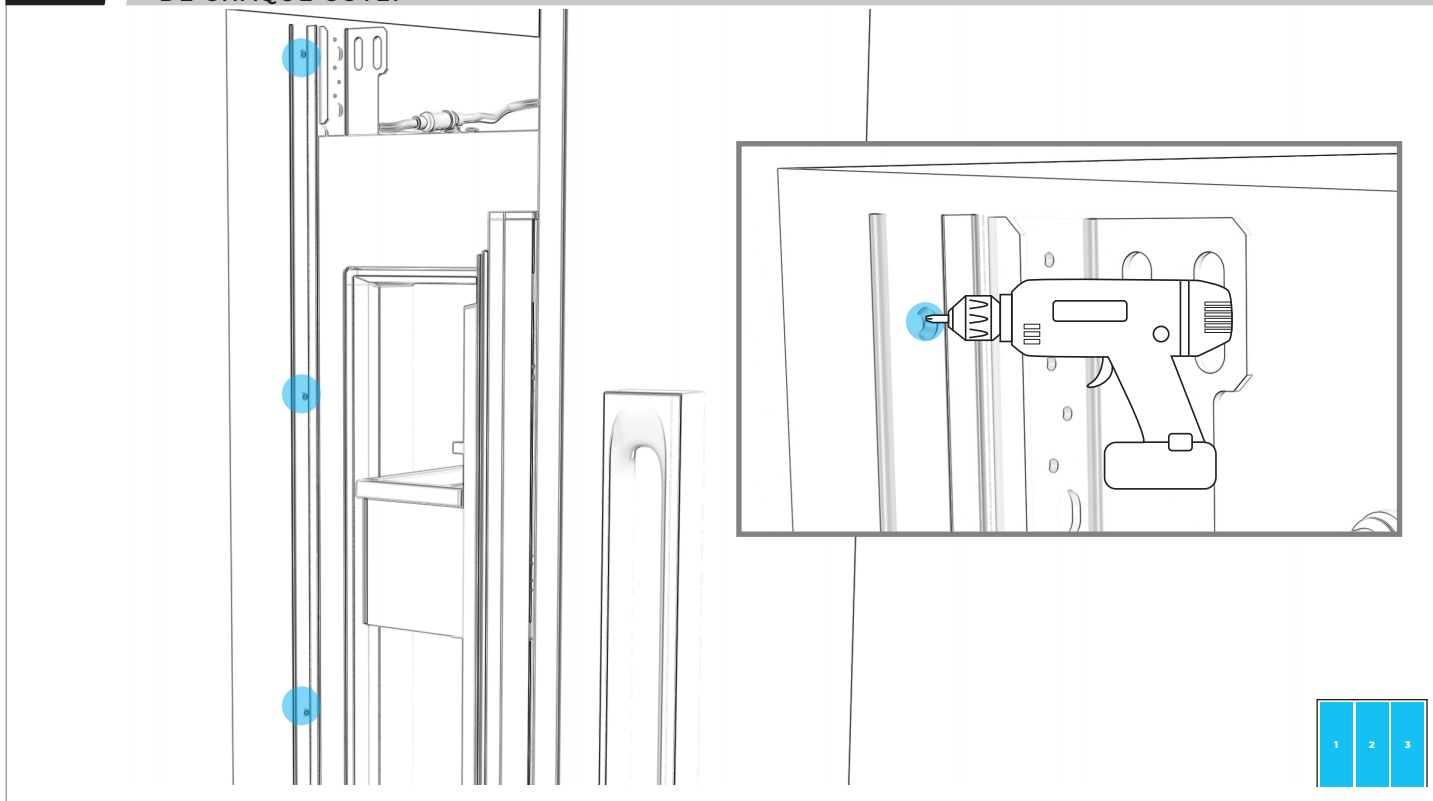


# TERMINER

L'INSTALLATION

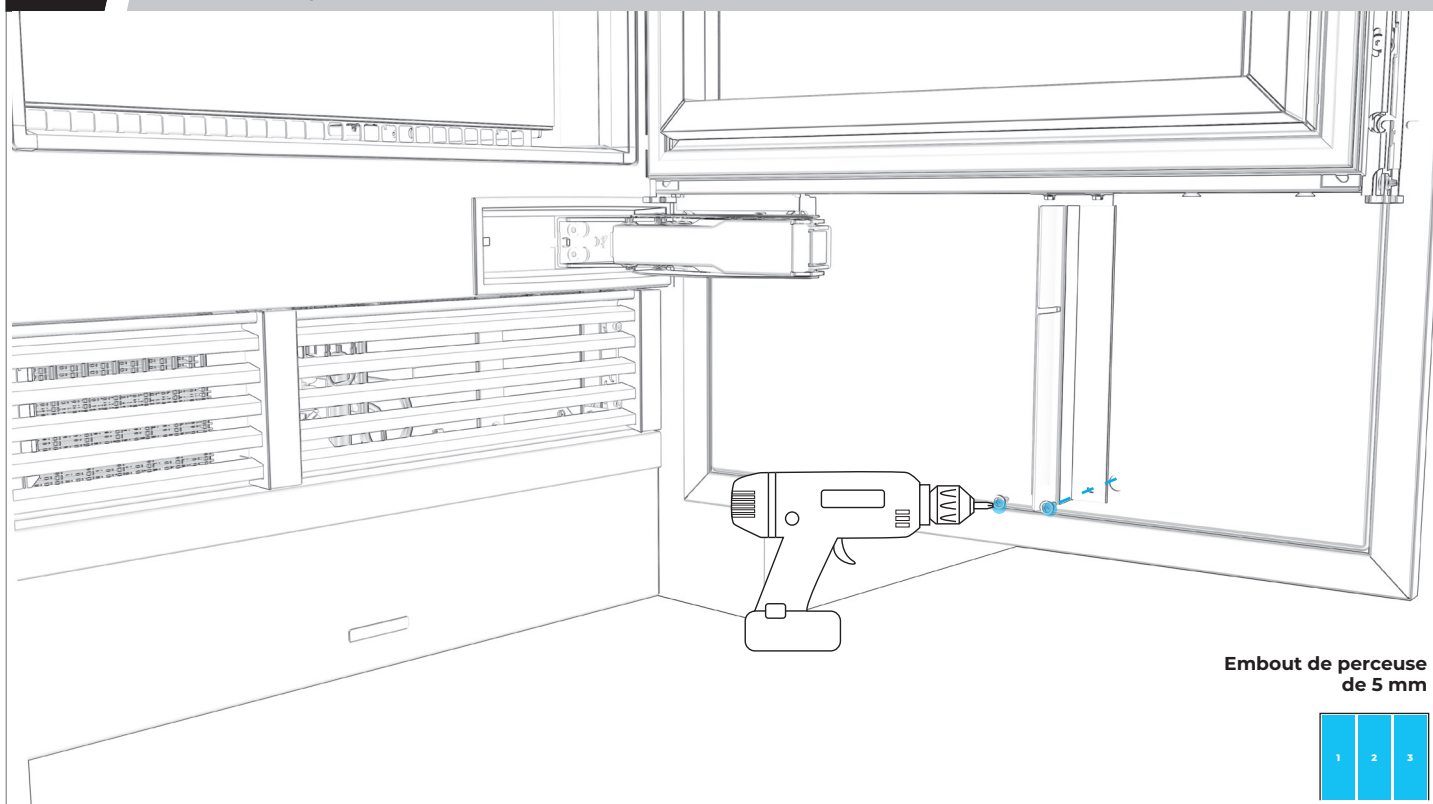
## 16.1

POUR CHAQUE APPAREIL : SERRER LES VIS POUR BIEN FIXER LES GARNITURES DE CÔTÉ DE CHAQUE CÔTÉ.



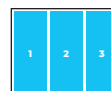
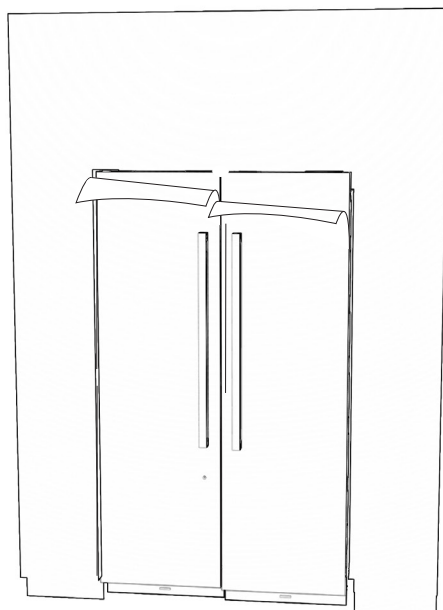
## 16.2

POUR CHAQUE APPAREIL : FIXER LES SÉPARATEURS D'AIR AUX PANNEAUX DE PORTE.



## 16.3

POUR CHAQUE APPAREIL : RETIRER LA PELLICULE.



LIRE LES AVERTISSEMENTS AVANT LES DERNIÈRES VÉRIFICATIONS.

**⚠ AVERTISSEMENT****Risque de choc électrique****Brancher sur une prise à 3 alvéoles reliée à la terre.****Ne pas enlever la broche de liaison à la terre.****Ne pas utiliser un adaptateur.****Ne pas utiliser un câble de rallonge.****Le non-respect de ces instructions peut causer un décès, un incendie ou un choc électrique.**

## DERNIÈRES VÉRIFICATIONS

- Il ne reste aucun emballage chez le client
- Les appareils sont branchés, alimentés et fonctionnent bien
- Les appareils sont de niveau
- Les panneaux sont alignés et ont été revérifiés après 20 minutes de fonctionnement
- L'alimentation en eau est bien raccordée, il n'y a pas de fuite
- Les filtres à eau sont installés (ne s'applique pas s'il y a un système d'osmose inverse)
- Les distributeurs d'eau et machines à glaçons fonctionnent bien
- Tous les problèmes en lien avec l'installation ou les pièces ont été mentionnés à JennAir Epicenter

## PRÉSENTATION AU CLIENT

Fournir le guide d'utilisation au client s'il est présent.  
Indiquer au client comment :

- Fonctionne le panneau de commande
- Configurer l'application et la connexion Wi-Fi
- Jeter les premières quantités de glaçons produites
- Remplacer les filtres à eau
- Enregistrer ses appareils
- Comment communiquer avec JennAir Epicenter à partir de [jennair.com](http://jennair.com) ou en composant le 1 800 JENNAIR (536-6247)

# NOTES

# NOTES

