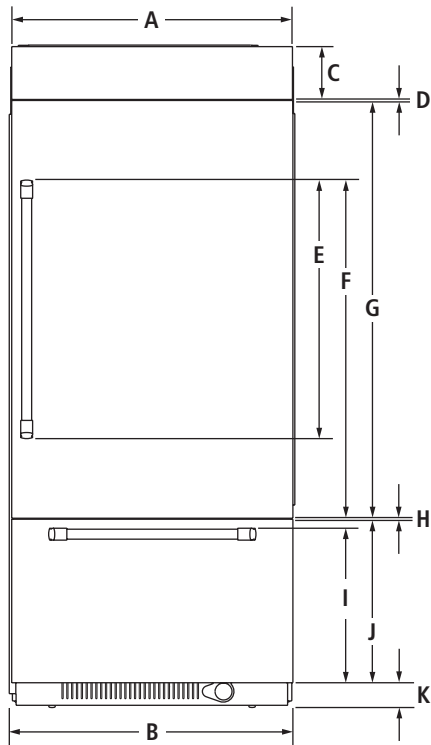


36" FULLY INTEGRATED BOTTOM-FREEZER REFRIGERATORS

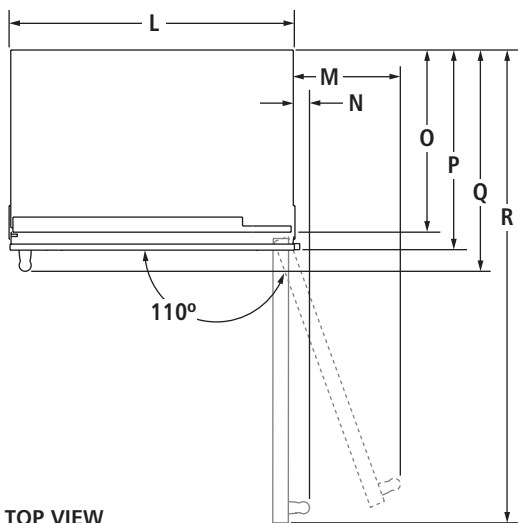
(BASE UNIT REQUIRES SUITE-COORDINATING PANEL KIT OR CUSTOM PANELS AND HANDLES)

JB36NXFXRE, JB36NXFXLE – 35¾" x 83⅛" x 24" (without door/handles)

PRODUCT DIMENSIONS



FRONT VIEW



TOP VIEW

MODEL #	JB36NXFXRE JB36NXFXLE	
	in	cm
A	Width of door	35 88.9
B	Overall width	35¾ 90.8
C	Height of top grille and bracket	6½ 16.5
D	Space between door and top grille	⅜ 0.8
E	Height of door handle Pro-Style® Stainless	32⅜ 82.2
	Euro-Style Stainless	37⅞ 96.0
F	Height to top of door handle Pro-Style® Stainless	42⅜ 107.6
	Euro-Style Stainless	44⅞ 114.0
G	Height of door	52⅜ 133.0
H	Space between door and drawer	⅛ 0.3
I	Height to top of drawer handle Pro-Style® Stainless	19⅜ 49.2
	Euro-Style Stainless	19¼ 48.7
J	Height of drawer	20½ 52.1
K	Height of bottom grille	3 7.6
L	Width of recessed refrigerator	35 88.9
M	Width from side of refrigerator to handle – door fully open 110° Pro-Style® Stainless	13¼ 33.6
	Euro-Style Stainless	12⅝ 32.1
N	Width from side of refrigerator to handle – door open 90° Pro-Style® Stainless	2 5.1
	Euro-Style Stainless	1½ 3.9
O	Depth without door panel kit	24 61.0
P	Depth with door Pro-Style® Stainless panel kit	24¾ 62.9
	Euro-Style Stainless panel kit	24¾ 62.9
	Custom panel (¾"/1.9 cm)	24¾ 62.9
Q	Depth with handle Pro-Style® Stainless	27⅜ 69.5
	Euro-Style Stainless	26⅞ 68.3
R	Depth with door open 90°	58¾ 148.9

IMPORTANT: Dimensional specifications are provided for planning purposes only.

Do not make any cutouts based on this information. Refer to the Installation or Use & Care Guide before selecting cabinetry, verifying electrical/gas connections, making cutouts or beginning installation.

All Jenn-Air® appliances are appropriately UL, CUL or CSA approved.

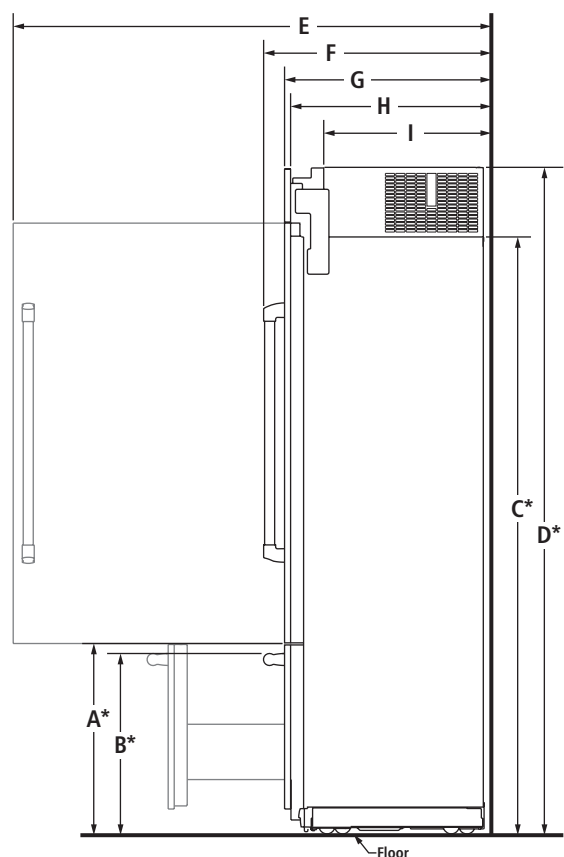


36" FULLY INTEGRATED BOTTOM-FREEZER REFRIGERATORS

(BASE UNIT REQUIRES SUITE-COORDINATING PANEL KIT OR CUSTOM PANELS AND HANDLES)

JB36NFXFRE, JB36NFXFLE – 35¾" x 83⅛" x 24" (without door/handles)

DIMENSIONS AS INSTALLED



SIDE VIEW

MODEL #	JB36NFXFRE JB36NFXFLE	
	in	cm
A*	Height to top of drawer (min.)	23½ 59.7
	Height to top of drawer handle (min.)	
B*	Pro-Style® Stainless	22¾ 56.8
	Euro-Style Stainless	22¼ 56.3
C*	Height to top of door (min.)	74¾ 188.9
D*	Height to top of grille and bracket (min.)	83⅛ 211.1
E	Depth with door open 90° (min.)	58⅝ 148.9
F	Depth with handle (min.)	
	Pro-Style® Stainless	27¾ 69.5
	Euro-Style Stainless	26⅞ 68.3
G	Depth with door (min.)	
	Pro-Style® Stainless panel kit	24¾ 62.9
	Euro-Style Stainless panel kit	24¾ 62.9
	Custom panel (¾"/1.9 cm)	24¾ 62.9
H	Depth without door panel kit (min.)	24 61.0
I	Depth of compressor (min.)	19⅞ 50.5

*Add 1¼" (3.2 cm) to the height dimension when leveling legs are fully extended.

IMPORTANT: Dimensional specifications are provided for planning purposes only. Do not make any cutouts based on this information. Refer to the Installation or Use & Care Guide before selecting cabinetry, verifying electrical/gas connections, making cutouts or beginning installation. All Jenn-Air® appliances are appropriately UL, CUL or CSA approved.

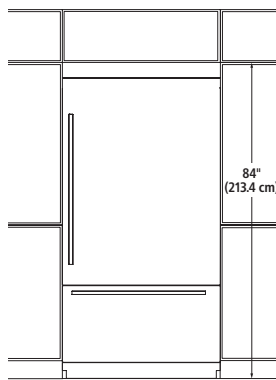
36" FULLY INTEGRATED BOTTOM-FREEZER REFRIGERATORS

(BASE UNIT REQUIRES SUITE-COORDINATING PANEL KIT OR CUSTOM PANELS AND HANDLES)

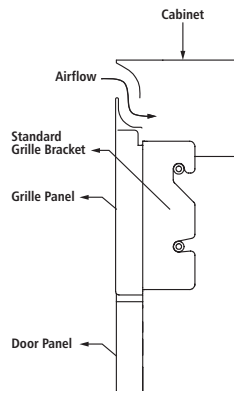
JB36NXFXRE, JB36NXFXLE – 35¾" x 83⅛" x 24" (without door/handles)

3 STYLES FOR DOOR PANEL INSTALLATION

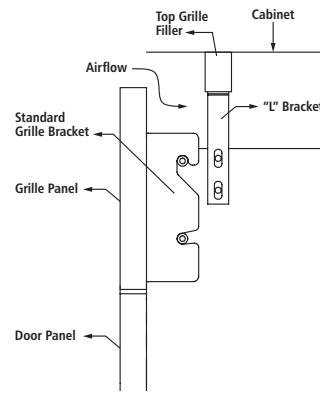
STANDARD INTEGRATED GRILLE INSTALLATION



FRONT VIEW



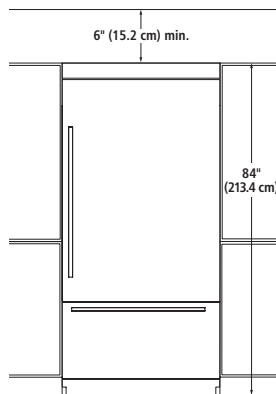
SIDE VIEW – STAINLESS STEEL PANEL KIT



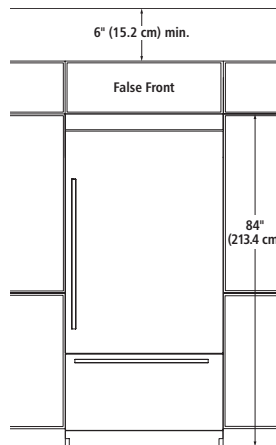
SIDE VIEW – CUSTOM PANEL

- Attach the standard custom grille with the standard grille bracket provided with the refrigerator.
- The standard grille panel height allows for an air gap critical to refrigerator performance.

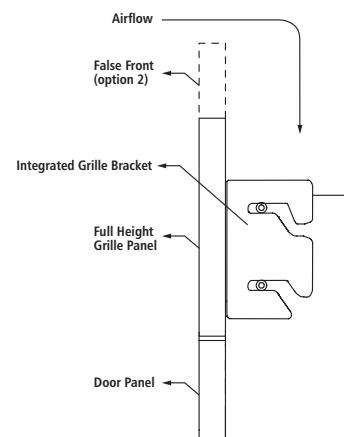
FULLY INTEGRATED GRILLE INSTALLATION



FRONT VIEW – OPEN TO CEILING (OPTION 1)



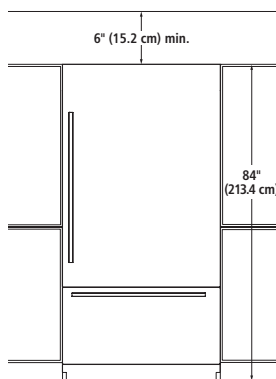
FRONT VIEW – FALSE FRONT (OPTION 2)



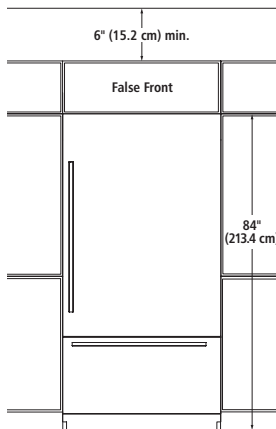
SIDE VIEW – CUSTOM PANEL

- Attach the full-height grille with the integrated grille bracket provided with the refrigerator.
- Requires a minimum of 6" (15.2 cm) of open space above the refrigerator, which must not be blocked in any way, including soffits.

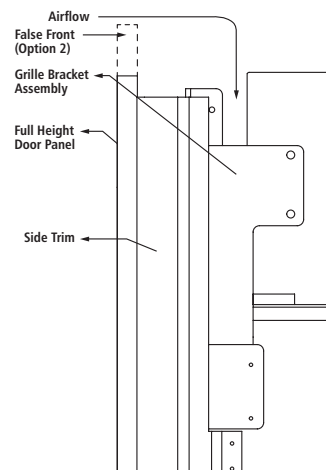
ARMOIRE-STYLE INSTALLATION*



FRONT VIEW – OPEN TO CEILING (OPTION 1)



FRONT VIEW – FALSE FRONT (OPTION 2)



SIDE VIEW – CUSTOM PANEL

- Attach the grille bracket assembly and grille panel provided in the armoire-style panel kit.
- Requires a minimum of 6" (15.2 cm) of open space above the refrigerator, which must not be blocked in any way, including soffits.

* Refer to the Armoire Kit installation instructions for additional dimensions and installation details.

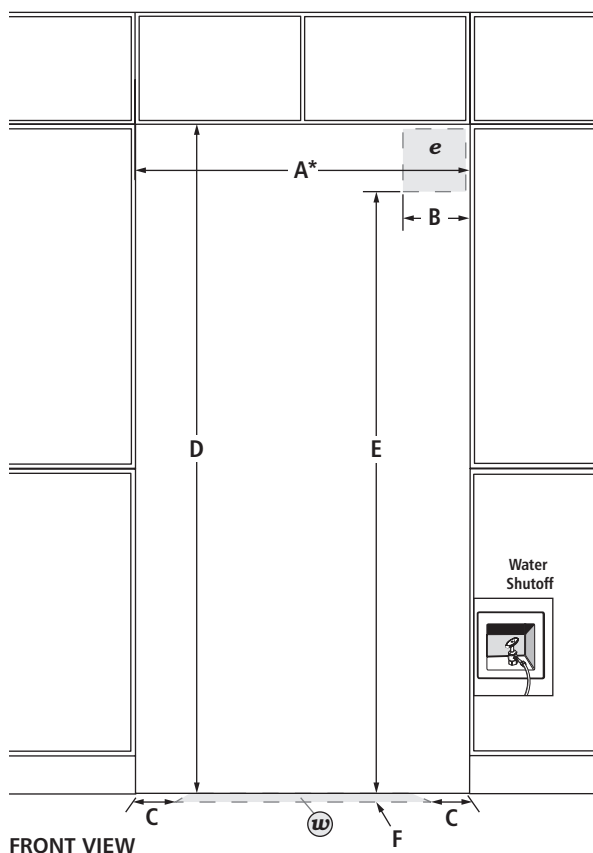
IMPORTANT: Dimensional specifications are provided for planning purposes only. Do not make any cutouts based on this information. Refer to the Installation or Use & Care Guide before selecting cabinetry, verifying electrical/gas connections, making cutouts or beginning installation. All Jenn-Air® appliances are appropriately UL, CUL or CSA approved.

36" FULLY INTEGRATED BOTTOM-FREEZER REFRIGERATORS

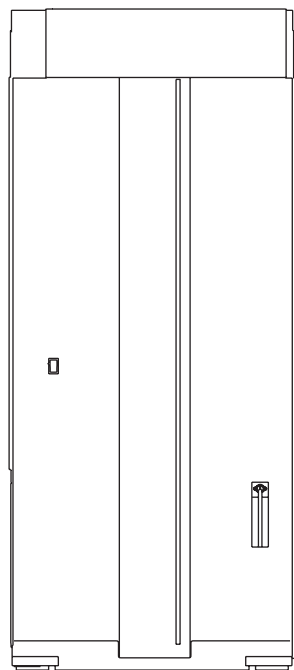
(BASE UNIT REQUIRES SUITE-COORDINATING PANEL KIT OR CUSTOM PANELS AND HANDLES)

JB36NXFXRE, JB36NXFXLE – 35¾" x 83⅛" x 24" (without door/handles)

OPENING/CLEARANCE DIMENSIONS



FRONT VIEW



BACK VIEW

MODEL #	JB36NXFXRE JB36NXFXLE	
	in	cm
A* Width (min.)	36	91.4
B Width of recommended electrical location	4	10.2
C Distance from side of cabinet to recommended water connection location	6	15.2
D Height (min.)	84	213.4
E Height to recommended electrical location	77	195.6
F Depth of recommended water connection location (max.)	1	2.5
e Recommended electrical connection location		
w Recommended water connection location		

*Minimum width must extend behind the face of the cabinet for at least 2" (5.1 cm).

ELECTRICAL REQUIREMENTS

115 volt, 60 Hz, AC only, 15- or 20-amp fused, grounded circuit is required. A dedicated circuit is recommended. Use an outlet that cannot be turned off by a switch. Do not use an extension cord.

WATER PRESSURE REQUIREMENTS

A cold water supply with water pressure between 30 and 120 psi (207 and 827 kPa) is required to operate the ice maker. Call a licensed, qualified plumber with any questions about the water pressure.

Reverse Osmosis Water Supply

IMPORTANT: The pressure of the water coming out of a reverse osmosis system going to the water inlet valve of the refrigerator needs to be between 30 and 120 psi (207 and 827 kPa).

If a reverse osmosis water filtration system is connected to the cold water supply, the water pressure to the reverse osmosis system needs to be a minimum of 40 to 60 psi (276 to 414 kPa).

LOCATION REQUIREMENTS

Floor must be able to support refrigerator (more than 600 lb [272 kg]), door panels and contents of the refrigerator and must be at the same level as flooring in the room.

IMPORTANT: Dimensional specifications are provided for planning purposes only.

Do not make any cutouts based on this information. Refer to the Installation or Use & Care Guide before selecting cabinetry, verifying electrical/gas connections, making cutouts or beginning installation. All Jenn-Air® appliances are appropriately UL, CUL or CSA approved.