

5.8 cu. ft. Mega Capacity Smart Front Load Washer with TurboWash® 360° and AI DD® Built-In Intelligence

- 5.8 cu. ft. Mega Capacity
- Built-In Intelligence: AI Fabric Sensor / Smart Pairing™
- TurboWash® 360° Technology
- Allergiene® Cycle
- Pet Care Cycle

KEY FEATURES

AVAILABLE COLORS



SMART APPLIANCE

LG ThinQ®

Enjoy new ways to control your home with LG smart appliances

- Use the ThinQ® app to start the laundry while you're out
- Get alerts when the cycle is finished
- With Smart Pairing™, the washer can tell the dryer to select a compatible drying cycle



PRODUCT FEATURES

SUMMARY

Type	Front Load Washer
Capacity	5.8 cu.ft
Matching Electric Dryer	DLEX5800V
Matching Gas Dryer	DLGX5801V
Matching Heat Pump Dryer	N/A
Color	Graphite Steel (V)

WASH PROGRAMS

No. of Programs	29
Wash Programs	Normal, AI Wash, Bedding, Delicates, Towels, Quick Wash, Heavy Duty, Allergiene™ Perm. Press, Tub Clean, ColdWash™, Pet Care, Microplastics care, BrightWhites™, Sanitary, Rinse & Spin, Spin Only, Hand/Wool, Activewear, Swimwear, Kids Wear, Jeans, Dresses, Color Care, Sweat Stains, Small Load, Large Load, XL Load
No. of Options	13
Options	TurboWash®, Steam, Fresh Care, Pre-wash, Remote Start, Delay, Wi-Fi, Extra Rinse, Control Lock, Drum Light, Soak, Signal, "More Cycles" Edit, Overnight Wash

WASH DETAILS

No. of Wash/Rinse Temps	5
Wash/ Rinse Temps	Extra Hot/ Hot/ Warm/ Cold/ Tap Cold
No. of Spin Speed	5
Spin Speeds	Extra High/ High/ Medium/ Low/ No Spin
Max RPM	1300
Water Levels	Load Sensing
No. of Soil Levels	5

APPERANCE

Control & Display	Electronic Control Panel with LCD Display
Touch Buttons	Yes
Dial-A-Cycle®	Yes

FABRIC CARE FEATURES

AI DD®	Yes
TurboWash® 360 Technology	Yes
Steam Technology	Yes
Allergiene® Cycle	Yes
Sanitary Cycle	Yes

CONVENIENCE FEATURES

Vibration sensing (Cabinet Vibration sensor)	Yes
TrueBalance® Anti-Vibration System	Yes
4 Tray Dispenser	Prewash, Main Wash (with liquid detergent cup), Bleach, Fabric Softener
End of Cycle Signal	Yes
Load Sense	Yes
Control Lock	Yes
Auto Suds Removal	Yes
Leveling Legs	4 Adjustable Legs
Drumlight	Yes

SMART FEATURES (ThinQ® TECHNOLOGY)

Proactive Cutomer Care	Yes
Smart Diagnosis (v3.0)	Yes
Wi-Fi	Yes
NFC Tag on Technology	No
Energy Monitoring	Yes
Tub Clean Coach	Yes

MOTOR

Motor Type	Inverter Direct Drive Motor
Axis	Horizontal

MATERIALS AND FINISHES

NeveRust® Stainless Steel Drum	Yes
Cabinet	Painted Steel (One Unit)
Control Panel	Painted Steel
Top Plate	Painted Steel
Door/Rim	Glass/Chrome
Door Cover	Tempered Glass Door
All Available Colors	Graphite Steel (V)

ENERGY

ENERGY STAR® Most Efficient	Yes
ENERGY STAR® Certified	Yes
CEE Tier	Tier 3
IMEF	3.1
IWF	2.9

POWER SOURCE

Ratings	UL Listed
Electrical Requirements	120 V, 60 Hz, 10 A
Type	Electric

OPTIONS/ ACCESSORIES

Pedestal	WDP6V
Pedestal (WxHxD)	27" x 13 5/8" x 28" (43 7/8" D with door open)
LG Sidekick® Pedestal Washer	WD300CV
LG Sidekick® Pedestal Washer (WxHxD)	27" x 14 1/8" x 30 3/4" (50 1/2 with drawer open)
Stacking Kit	KSTK4

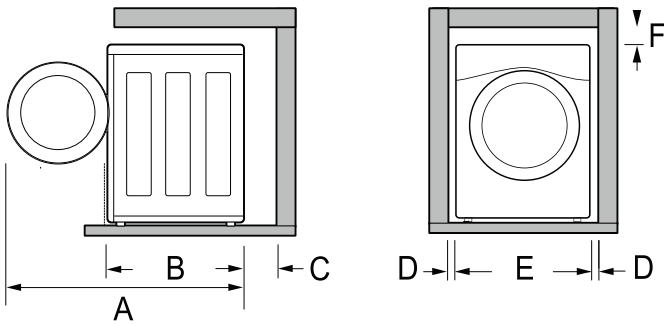
LIMITED WARRANTY

Parts & Labor	1 Year
Drum	3 Years
Direct Drive Motor	10 Years

UPC CODES

WM5800HVA (Graphite Steel)	048231349796
----------------------------	--------------

DIMENSION / CLEARANCES

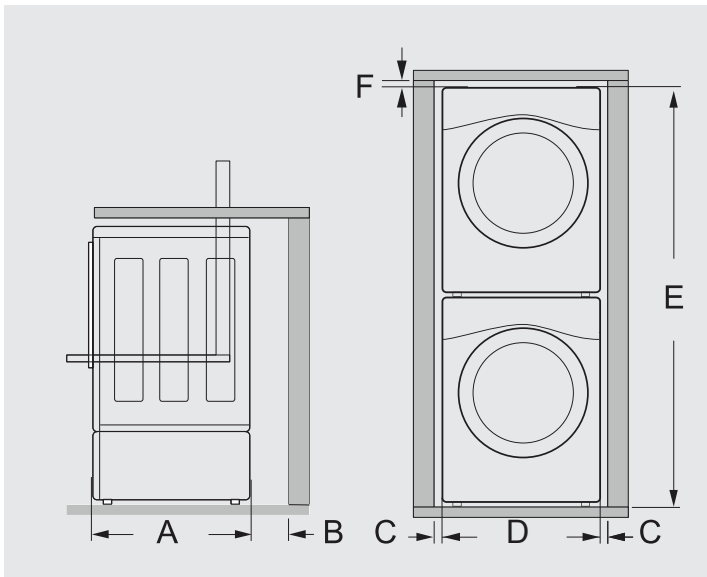


DIMENSIONS

Product (WxHxD)	27" x 39" x 33 1/8"
Depth with Door Open	57 3/4"
Carton Dimensions (WxHxD)	29 1/8" x 41 7/8" x 33 3/8"
Approx. Weight (Product / Carton)	203.9 lbs / 224.9 lbs
A	57 3/4" (146.6cm)
B	33 1/8" (84cm)
C	4" (10cm)
D	1" (2.5cm)
E	27" (70cm)
F	1/4" (0.5cm)

DIMENSION / CLEARANCES

To ensure sufficient clearance for water inlet hoses, drain hose and airflow, allow minimum clearances of at least 1" (2.5 cm) at the sides and 4" (10 cm) behind the appliance. Be sure to allow for wall, door, or floor moldings that may increase the required clearances.



Stacking or Pedestal Installation

The washer can be stacked under a dryer or on top of a pedestal or pedestal washer.

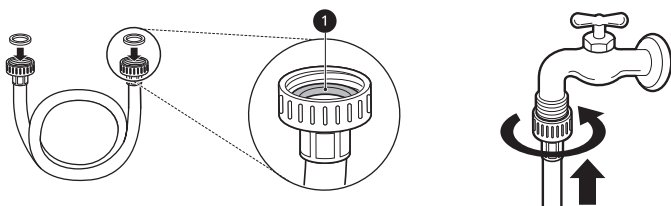
- Refer to the instructions packaged with the optional pedestal kit before stacking appliance on pedestal.
- Do not use a drain pan with a pedestal or pedestal washer installation as it can block the drawer. Using a drain pan may result in increased vibration and noise during operation.

DIMENSIONS

A	33 1/8" (84cm)
B	4" (10cm)
C	1" (2.5cm)
D	27" (70cm)
E	77 1/2" (196.8cm)
F	1/4" (0.5cm)

CONNECTING THE WATER INLET HOSE

- Check the fittings and seals. Inspect the threaded fitting on each hose and make sure there is a rubber seal ❶ in place in both ends of each hose to prevent leaking.
- Connect the water inlet hoses to the hot and cold water faucets tightly by hand and then tighten another 2/3 turn with pliers.
- Connect the blue hose to the cold water faucet and the red hose to the hot water faucet.



Flush out the inlet hoses.

- After the hoses are connected, turn on the water faucets and flush out any foreign substances such as dirt, sand, or sawdust. Foreign substances can damage washer inlets and lead to leakage.
- Let the water drain into a bucket, and check the water temperature to make sure you've connected the hoses to the correct faucets.

Attach the inlet hoses to the back of the washer.

- Attach the hot water inlet hose to the hot water inlet on the back of the washer. Attach the cold water inlet hose to the cold water inlet on the back of the washer.
- Tighten the fittings securely. Turn on both faucets all the way and check for leaks at both ends of the hoses.

