

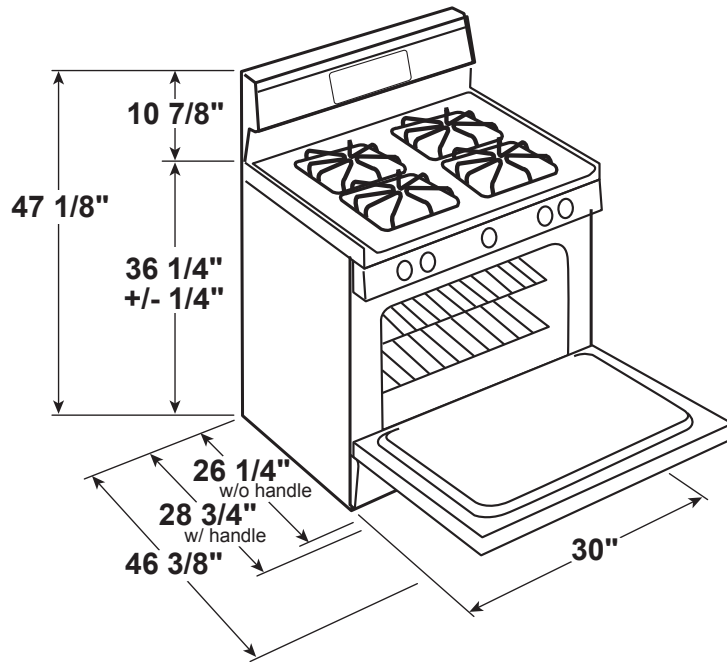
# RGBS400DM

## Hotpoint® 30" Free-Standing Standard Clean Gas Range

### DIMENSIONS AND INSTALLATION INFORMATION (IN INCHES)

**ELECTRICAL RATING:** 120V, 60Hz, 3A

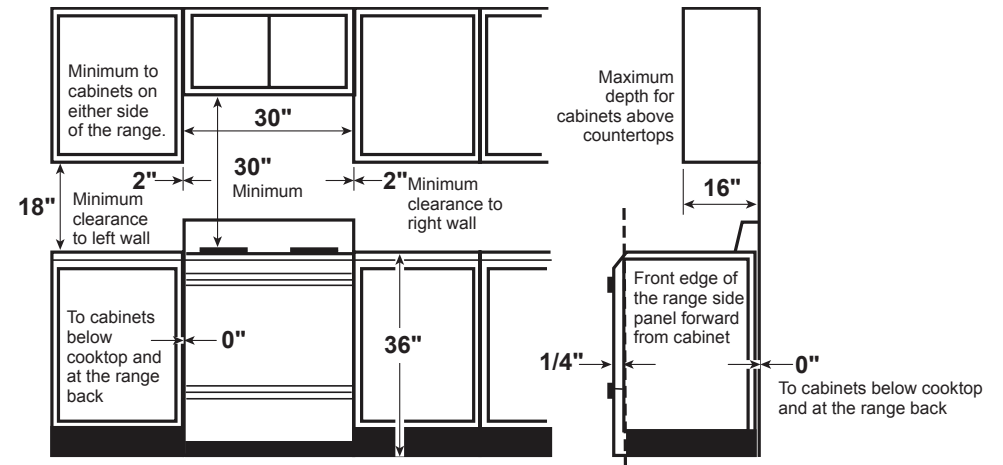
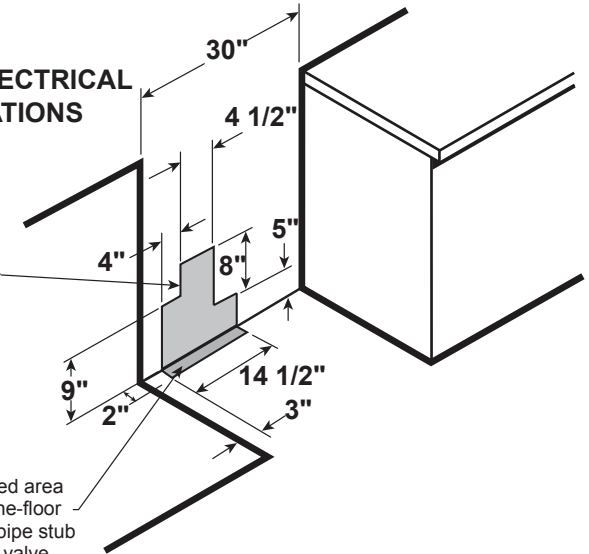
Installation Information: Before installing, consult installation instructions packed with product for current dimensional data.



### GAS PIPE AND ELECTRICAL OUTLET LOCATIONS

Recommended area for 120V outlet on rear wall and area for through-the-wall connection of pipe stub and shut-off valve.

Recommended area for through-the-floor connection of pipe stub and shut-off valve.



# Hotpoint®

For answers to your Hotpoint product questions, visit our website at [hotpoint.com](http://hotpoint.com) or call 800.626.2000.

**ADA  
COMPLIANT**



All GE Appliances ranges are equipped with an Anti-Tip device. The installation of this device is an important, required step in the installation of the range.

Specification Created 4/18

# RGBS400DM

## *Hotpoint® 30" Free-Standing Standard Clean Gas Range*

### **FEATURES AND BENEFITS**

Standard clean oven – Smooth surface and rounded corners make clean-up quick and easy

4.8 cu. ft. oven capacity – Enough room to cook an entire meal at once

Sealed cooktop burners – Contains spills and make cleaning quick and easy

Porcelain upswept cooktop – Raised edges contain spills, while the surface is easy to wipe clean

Heavy steel grates

Two oven racks – Durable to securely hold any cookware

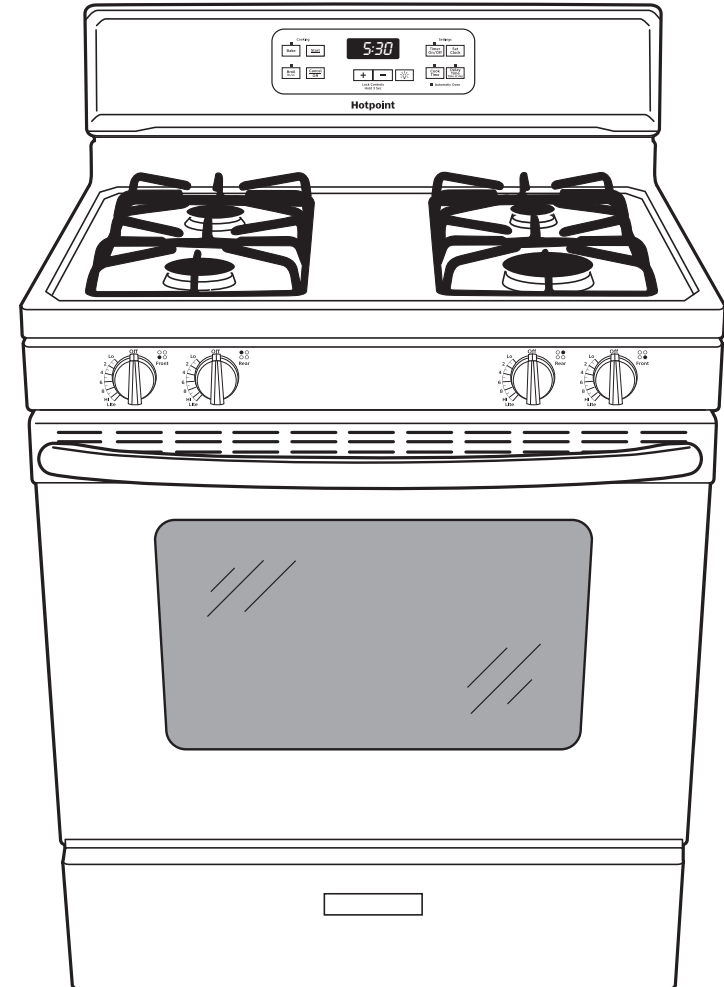
One-piece durable handle

Large window

Broiler drawer – Delivers high concentrated heat for crisping and browning

Model RGBS400DMWW – White

Model RGBS400DMBB – Black



# Hotpoint®