

RAS240DMWW

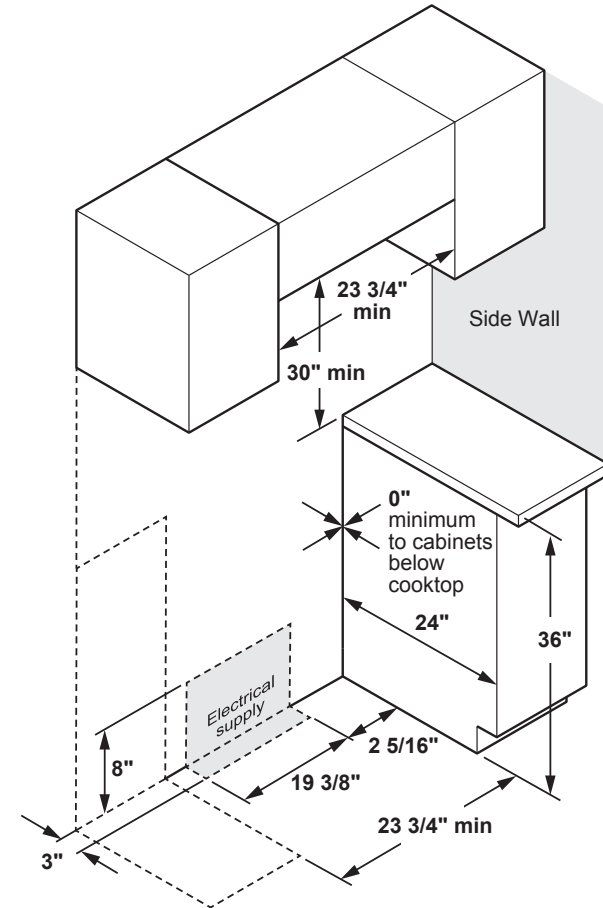
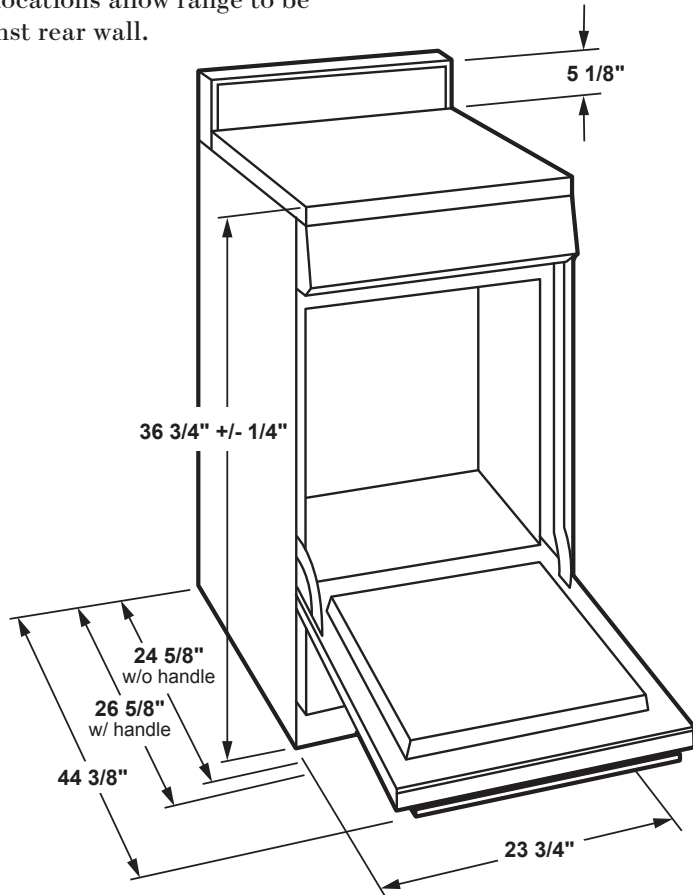
Hotpoint® 24" Electric Free-Standing Front-Control Range

DIMENSIONS AND INSTALLATION INFORMATION (IN INCHES)

RECEPTACLE LOCATIONS

Locally approved flexible service cord or conduit must be used because terminals are not accessible after range installation. See shaded area in drawings for location of electrical outlet box. Recommended outlet locations allow range to be installed directly against rear wall.

KW RATING	
240V	9.3
208V	7.2



Hotpoint®

For answers to your Hotpoint product questions, visit our website at hotpoint.com or call 800.626.2000.

**ADA
COMPLIANT**



All GE Appliances ranges are equipped with an Anti-Tip device. The installation of this device is an important, required step in the installation of the range.

Specification Revised 2/22

RAS240DMWW

Hotpoint® 24" Electric Free-Standing Front-Control Range

FEATURES AND BENEFITS

Front controls – Minimize need to reach

Sensi-Temp Technology – Enjoy the same cooking power as a traditional coil with an added safety feature that meets new UL858 Household Electric Ranges Standard for Safety

Lift-up cooktop with porcelain-enameled subtop – Access messes under the cooktop for easy cleanability

Two oven racks – Feature a durable construction to help accommodate any size or type of cookware

Standard clean oven – Smooth surface makes cleaning by hand easier

One-piece durable handle – Strong and long-lasting

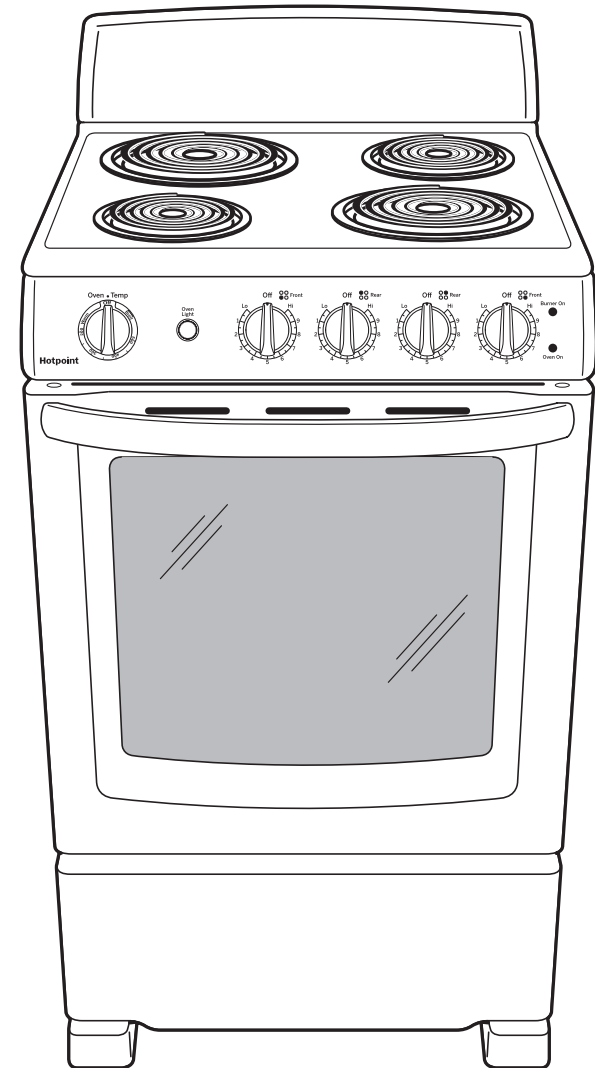
Chrome drip bowls – Contain spills and remove for easy cleaning

Standard window – Provides a convenient viewing area to check the progress of food

Cooktop "ON" Indicator Light – Know when an element is on

Sabbath Mode

Model RAS240DMWW – White



Hotpoint®