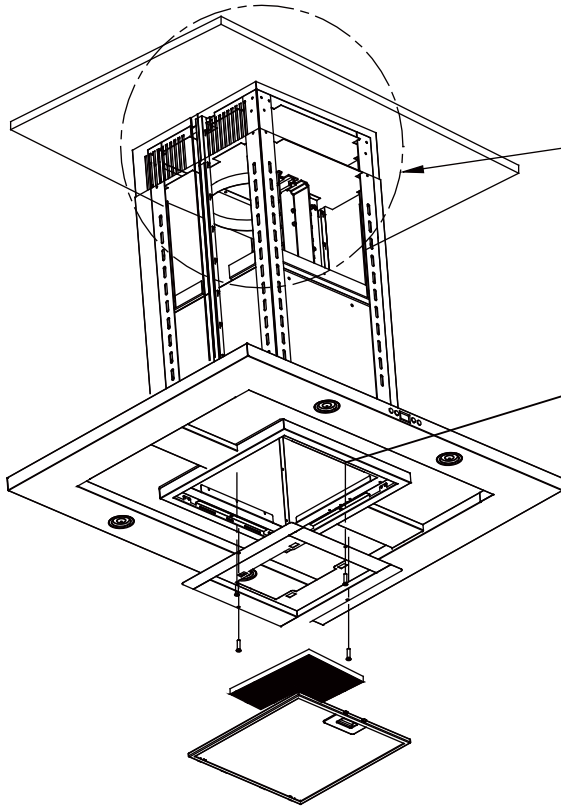


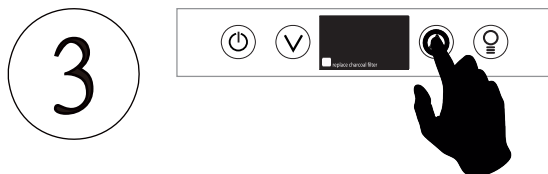
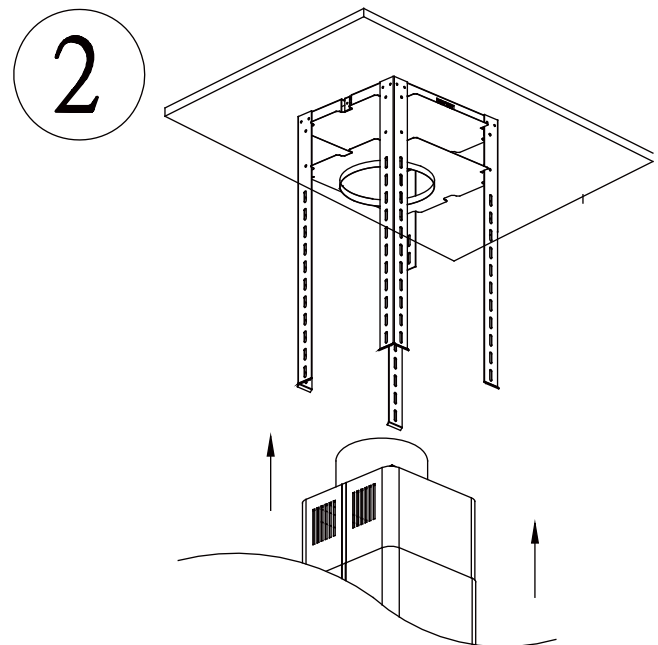
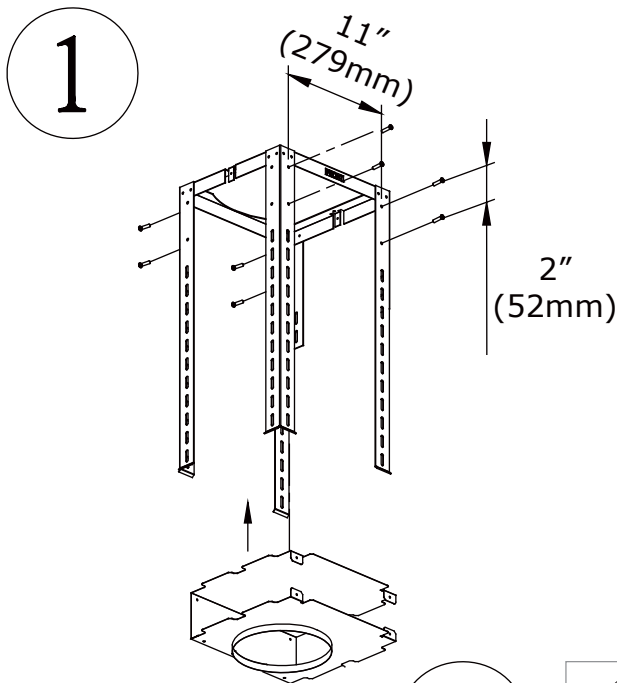
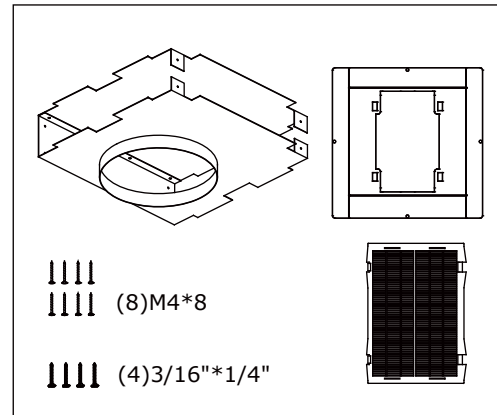
## ZRC-00MD

For use with models : ZMD-xxxAS, ZMD-xxxBS



Remove all black foam from filter opening before installing the charcoal filter brackets.

### INCLUDED MATERIAL



Follow instructions in hood manual to enable the "replace charcoal filter" indicator on the hood controls.