





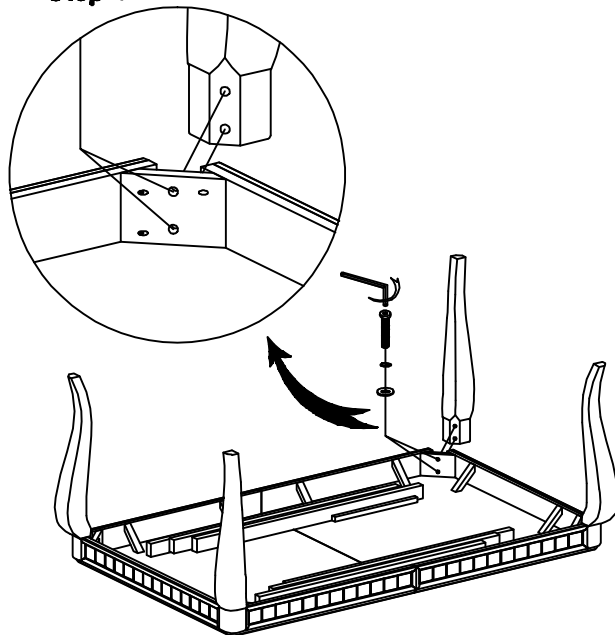
ASSEMBLY INSTRUCTION Dining Table

Thank you for purchasing this quality product. Be sure to check all packing material carefully for small parts which may have come loose inside the carton during shipment. Identify and count all parts and compare with the parts list below.

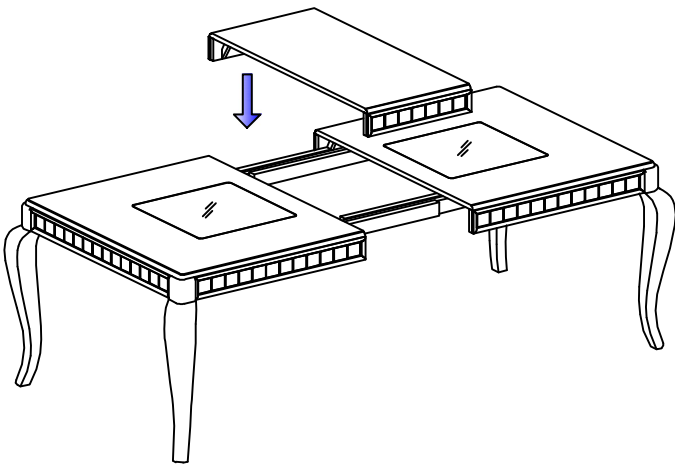
****Assemble the table on a flat surface such as a carpet or cloth to prevent scratching the table finish. Read all instruction and study the drawings carefully before starting the assembly process.**

Hardware list				
A	Allen Bolt		Ø5/16**2-1/8"	8pcs
B	Lock Washer		Ø5/16"	8pcs
C	Flat Washer		Ø5/16**19mm	8pcs
D	Allen Wrench		5MM	1pc

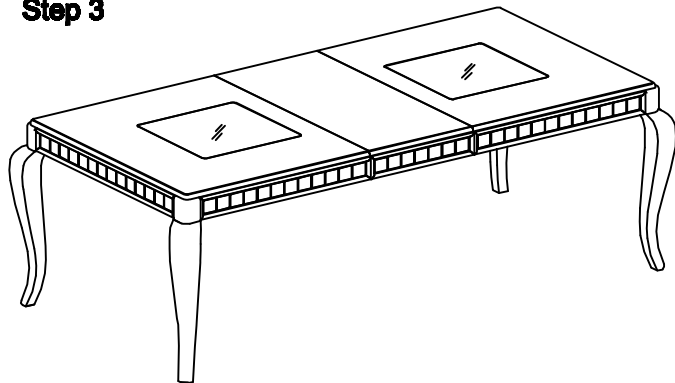
Step 1



Step 2



Step 3



****Note: Do not tighten all the bolts and the screws until the table has been put on a flat surface to adjust & level all the legs so that they do not wobble. Once adjusted then tighten all the bolts and the screws but not over-tight the bolts.**