



XOGOKBARV1
XO PRO-GRADE LUXURY DESIGNER ISLANDS

PUT SOME AWESOME IN YOUR BACKYARD



WELCOME TO YOUR PRIVATE ISLAND

- Durable Commercial Grade Fiber Cement Architectural Panel Finish
- White Carrera Style Quartz Surface
- Rugged Welded Steel Interior Frame
- Leveling Legs Installed

WORLD CLASS SERVICE | COMPREHENSIVE WARRANTIES
OUR LASTING COMMITMENT TO YOU

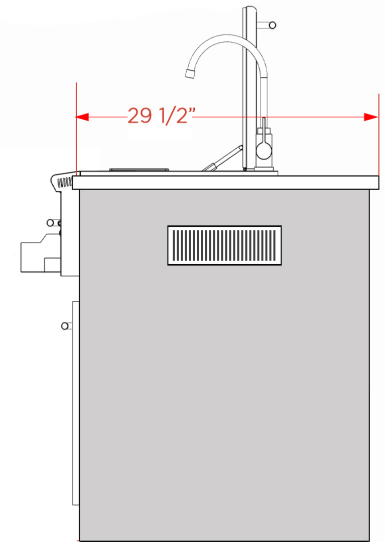
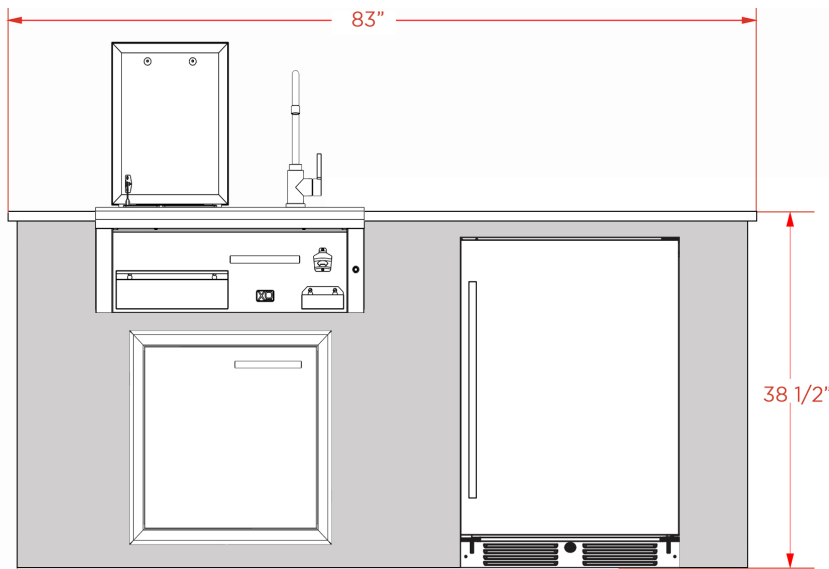
XOGOKBARV1

PRO-GRADE DESIGNER ISLAND

Available in 3 colors: Black, White and Grey



(shown with appliances sold separately)



DESIGNED FOR THESE APPLIANCES



XOGOKBARV1

- SS Ice bin cover
- Chilled Bins for Garnishes
- Convenient Speed Rail
- Towel Bar/Bottle Opener
- Blue LED Bullnose Lighting



XOG24DOOR

- 304 Stainless Steel
- 24" Access Door
- Specify Left or Right Hinge



XOU24ORS

- Shelves Extend While Loaded
- Holds up to 145 (12oz) Cans
- Adjustable Shelves
- Tri-Color LED Interior Lighting

SPECIFICATIONS

DIMENSIONS 83"W x 29 1/2"D x 38 1/2"H

WEIGHT Approx 400lbs without appliances

ELECTRICAL

Installation requires an outdoor 120v GFI electrical outlet adjacent to product

OPTIONAL ACCESSORIES

Heavy Duty Castors **XOGOKCASTORS**

FACTORY ASSEMBLED - APPLIANCE READY

30" Cocktail Station **XOG30BARPRO**

24" Access Door **XOG24DOOR**

24" Outdoor Refrigerator **XOU24ORSR**

ISLAND ARRIVES PRE-ASSEMBLED WITH CUTOUTS AS SHOWN READY FOR APPLIANCE INSTALLATION. ISLAND COMES WITH LEVELING LEGS.