















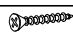


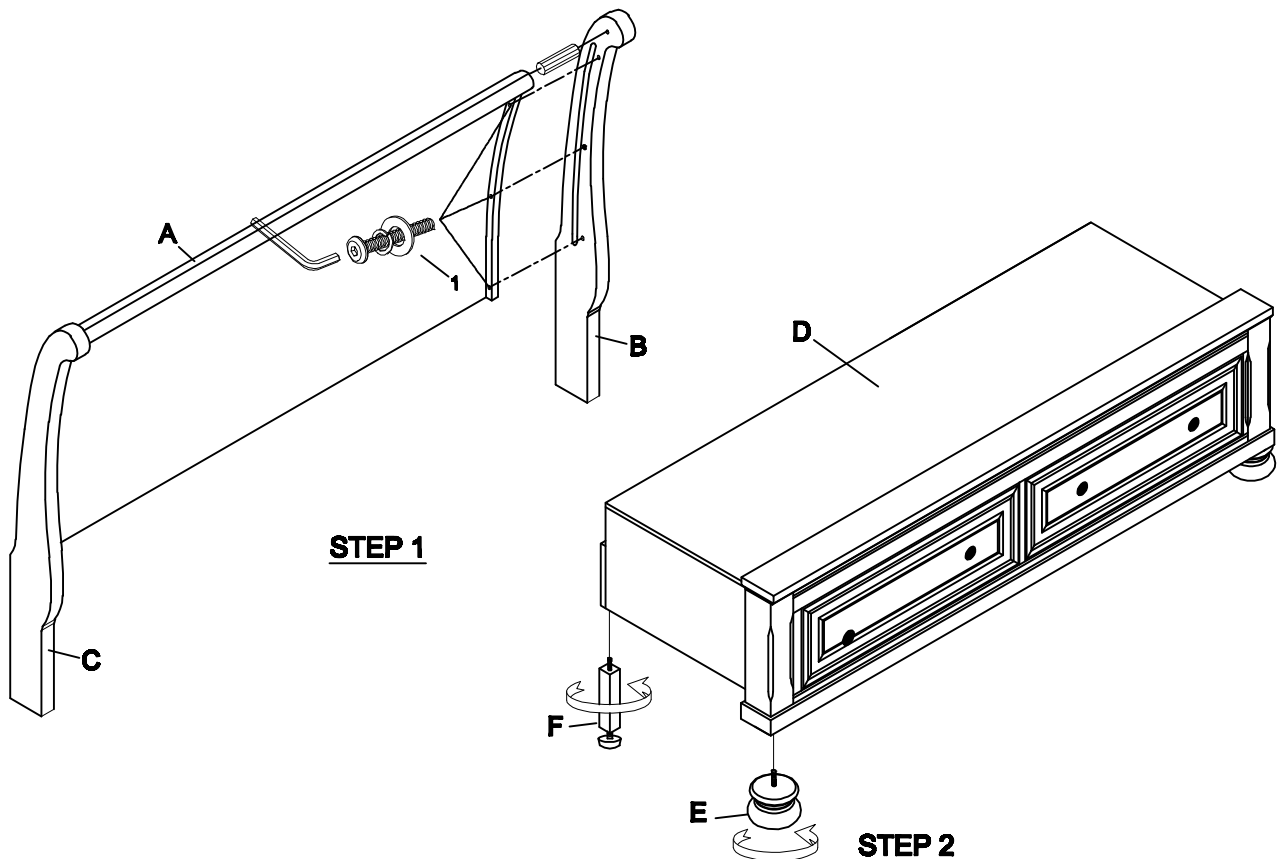
Assembly Instruction

ITEM: B2159-310
 B2159-328
 B2159-330

ALLEGRA 5/0 Q HEADBOARD
 ALLEGRA 5/0 Q STORAGE
 FOOTBOARD & SLATS
 ALLEGRA 5/0 Q SIDE RAILS

NO.	Part list	Q' TY
A	 Headboard	1PC
B	 Left Headboard Leg	1PC
C	 Right Headboard Leg	1PC
D	 Footboard w / drawers	1PC
E	 Leg	2PCS
F	 Support leg of drawer	2PCS
G	 Support legs for slats	4PCS
H	 Slats	1SET
I	 Rails	2PCS

NO.	Hardware List	Q' TY
1	 Ø5/16" *1-1/2"L Allen Bolt	6PCS
	 Ø5/16" Spring washer	6PCS
	 Ø5/16" *19mm Flat washer	6PCS
	 Allen wrench (4mm)	1PC
5	 Ø10mm*40mm Wooden dowel	2PCS
	 Ø8*Ø4*1-1/4"L Wood Screw	8PCS



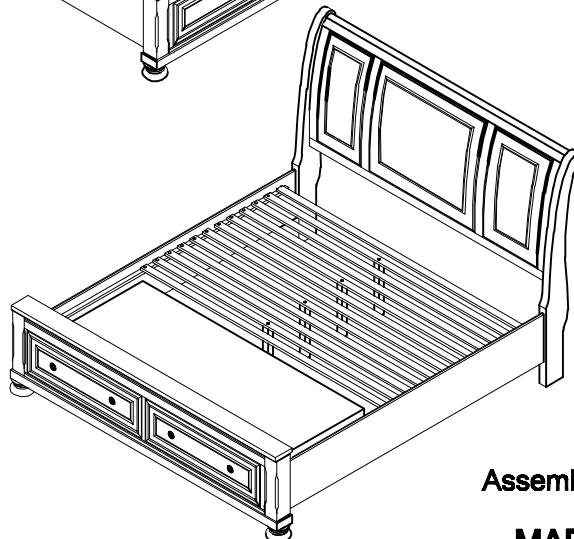
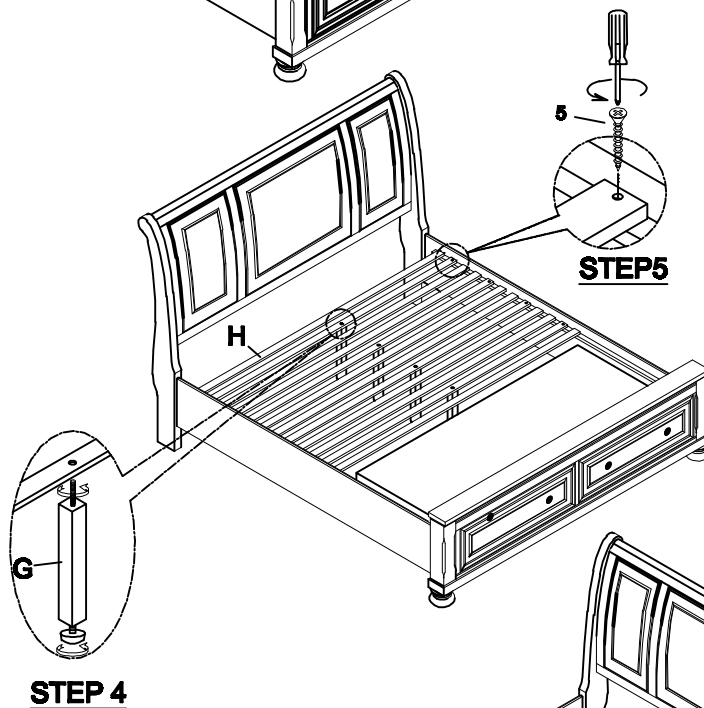
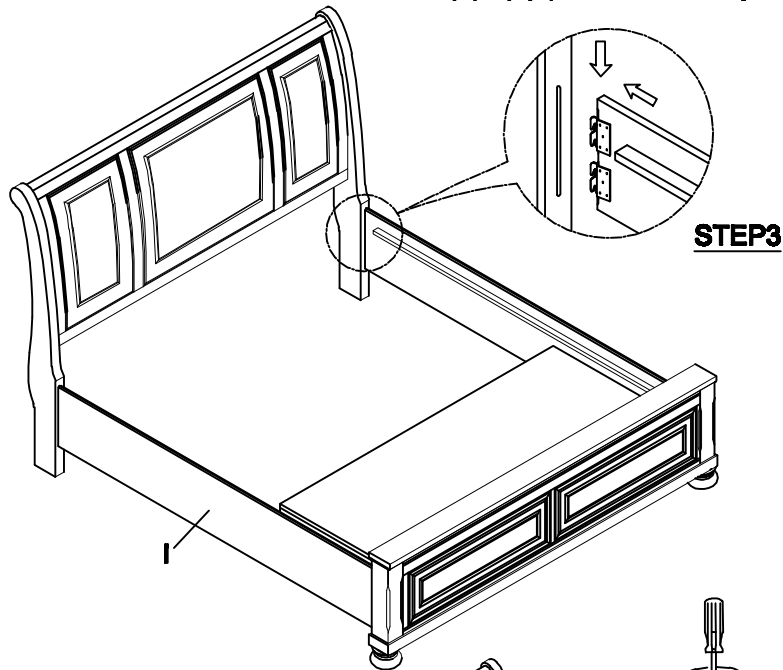
MADE IN VIETNAM



Assembly Instruction

ITEM: B2159-310
B2159-328
B2159-330

ALLEGRA 5/0 Q HEADBOARD
ALLEGRA 5/0 Q STORAGE
FOOTBOARD & SLATS
ALLEGRA 5/0 Q SIDE RAILS



Assembly completed







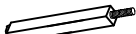
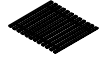

MADE IN VIETNAM









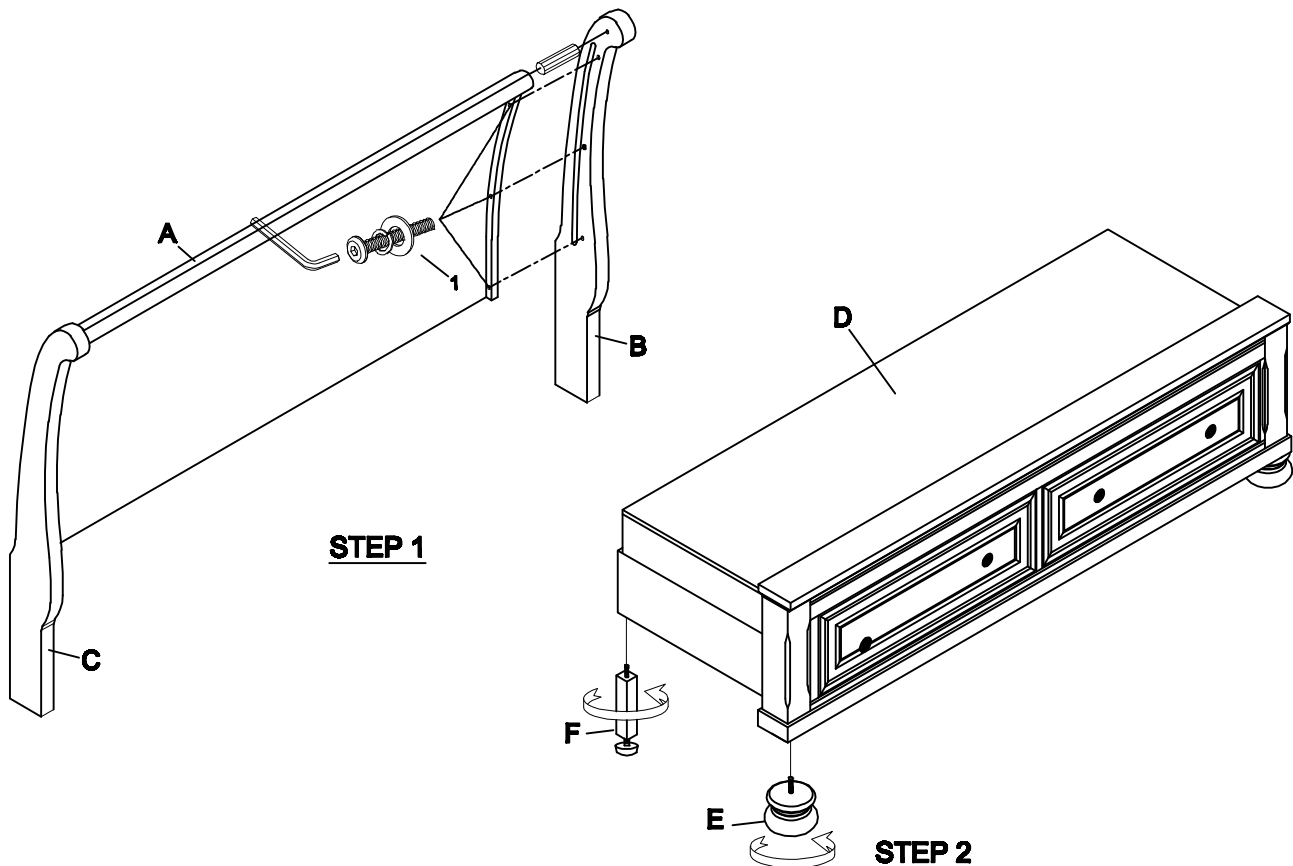
Assembly Instruction

ITEM: B2159-110
 B2159-128
 B2159-130

ALLEGRA 6/6-6/0 K HEADBOARD
 ALLEGRA 6/6-6/0 K STORAGE
 FOOTBOARD & SLATS
 ALLEGRA 6/6 EK SIDE RAILS

NO.	Part list	Q' TY
A	 Headboard	1PC
B	 Left Headboard Leg	1PC
C	 Right Headboard Leg	1PC
D	 Footboard w / drawers	1PC
E	 Leg	2PCS
F	 Support leg of drawer	3PCS
G	 Support legs for slats	8PCS
H	 Slats	1SET
I	 Rails	2PCS

NO.	Hardware List	Q' TY
1	 Ø5/16" *1-1/2"L Allen Bolt	6PCS
	 Ø5/16" Spring washer	6PCS
	 Ø5/16" *19mm Flat washer	6PCS
	 Allen wrench (4mm)	1PC
5	 Ø10mm*40mm Wooden dowel	2PCS
	 Ø8*Ø4*1-1/4"L Wood Screw	8PCS

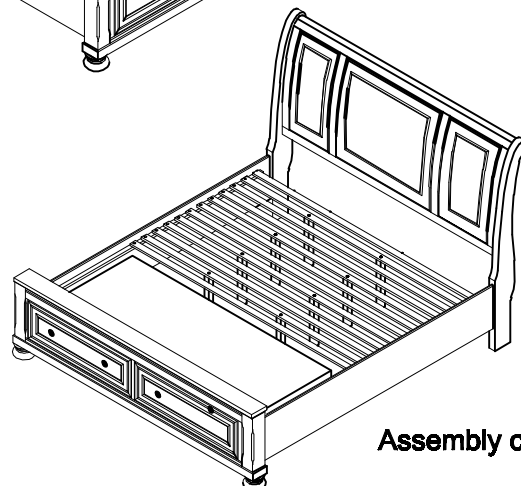
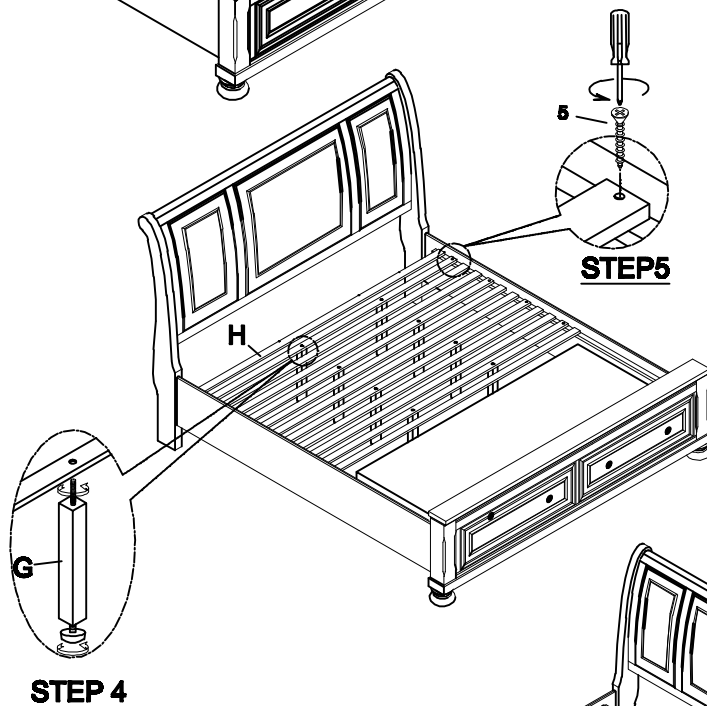
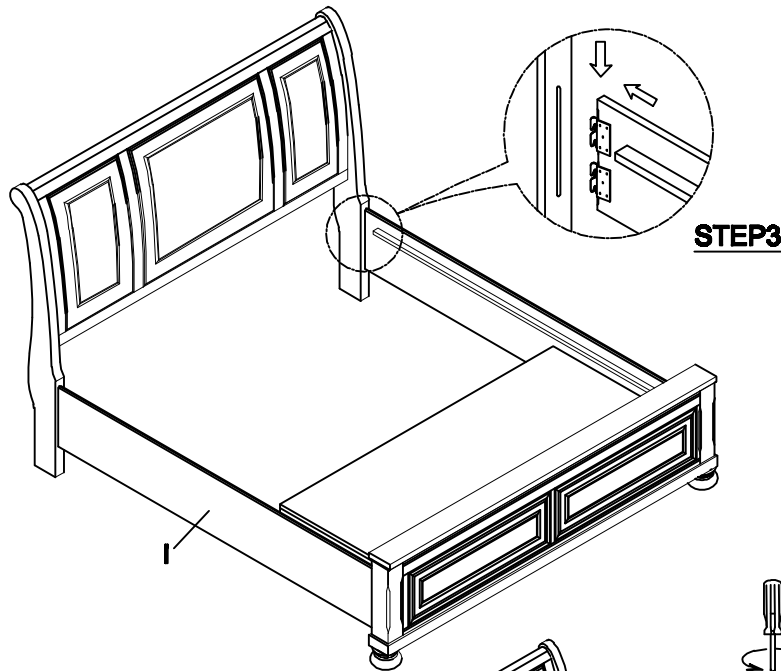


MADE IN VIETNAM



Assembly Instruction

ITEM: B2159-110 ALLEGRA 6/6-6/0 K HEADBOARD
B2159-128 ALLEGRA 6/6-6/0 K STORAGE
FOOTBOARD & SLATS
B2159-130 ALLEGRA 6/6 EK SIDE RAILS





Assembly completed

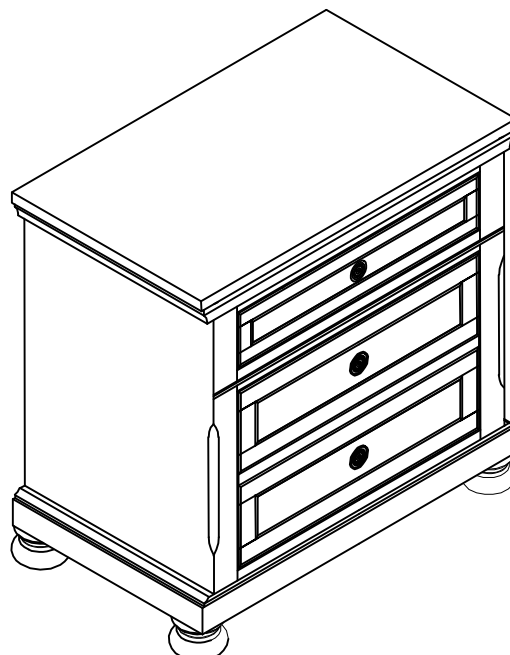
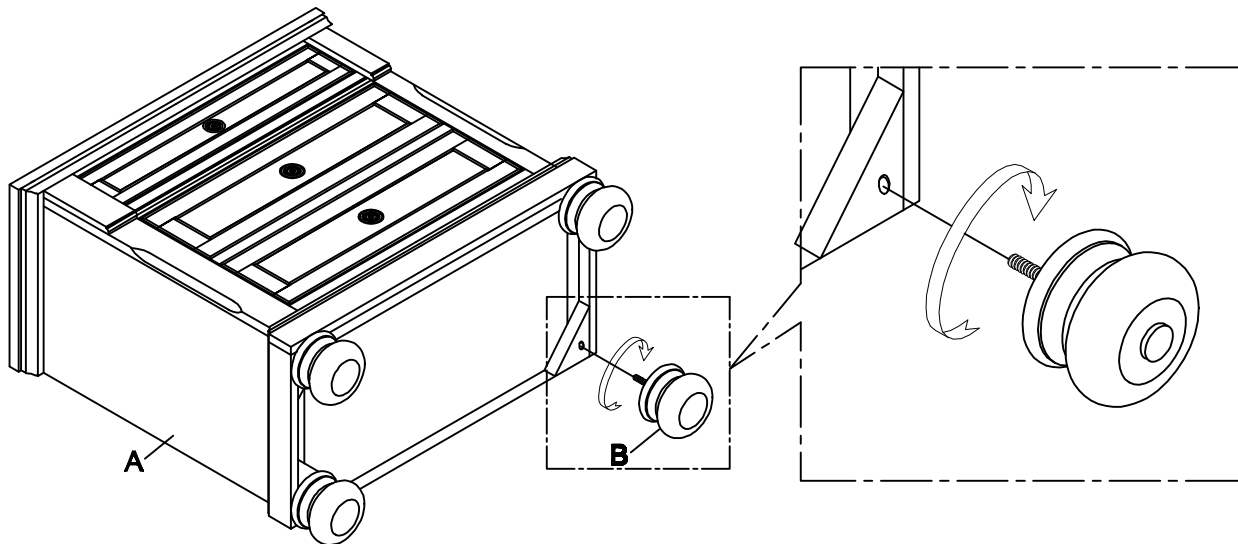
MADE IN VIETNAM



Assembly Instruction

ITEM: B2159-040 ALLEGRA NIGHTSTAND ADD POWER PORT

NO.		Part list	Q' TY
A		Cabinet	1PC
B		Leg	4PCS





Assembly completed

MADE IN VIETNAM

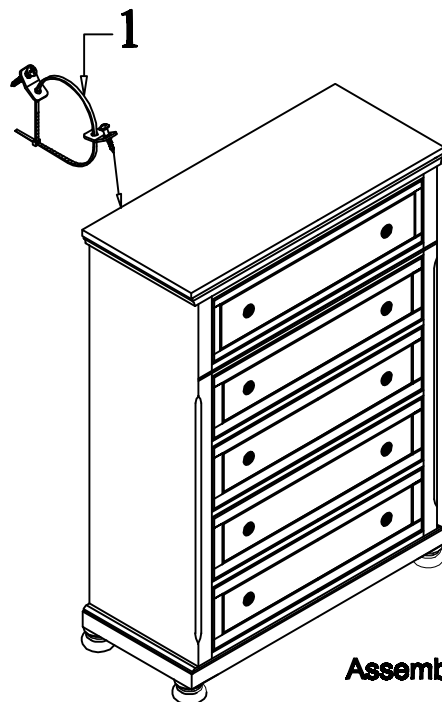
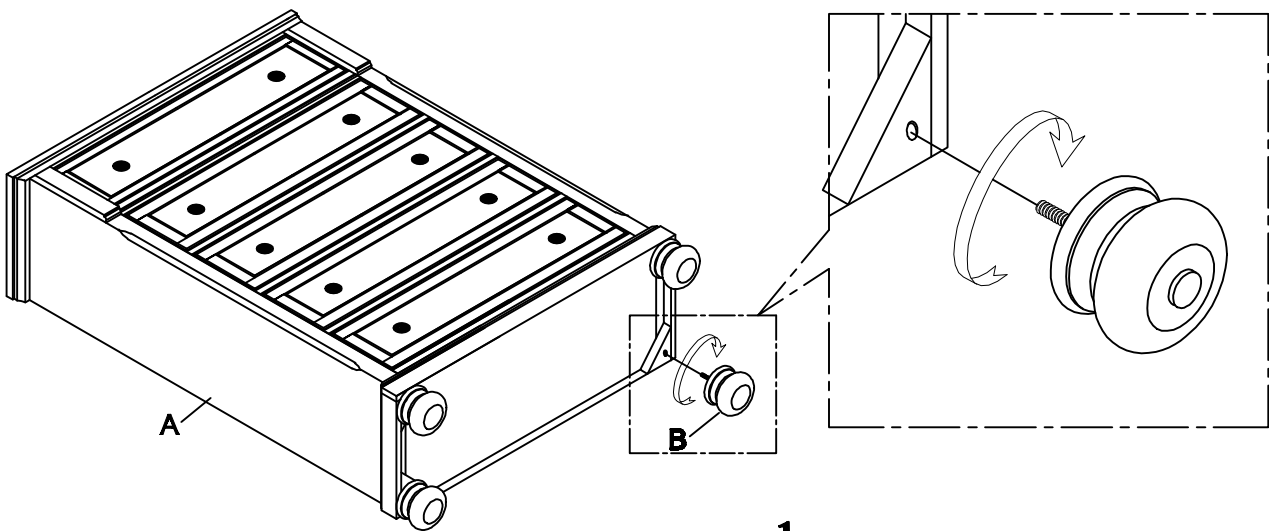


Assembly Instruction

ITEM: B2159-070 ALLEGRA CHEST

NO.		Part list	Q' TY
A		Cabinet	1PC
B		Leg	4PCS

NO.	HARDWARE LIST:		Q' TY
1		TIPPING RESTRAINT	1PC





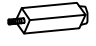
Assembly completed

MADE IN VIETNAM

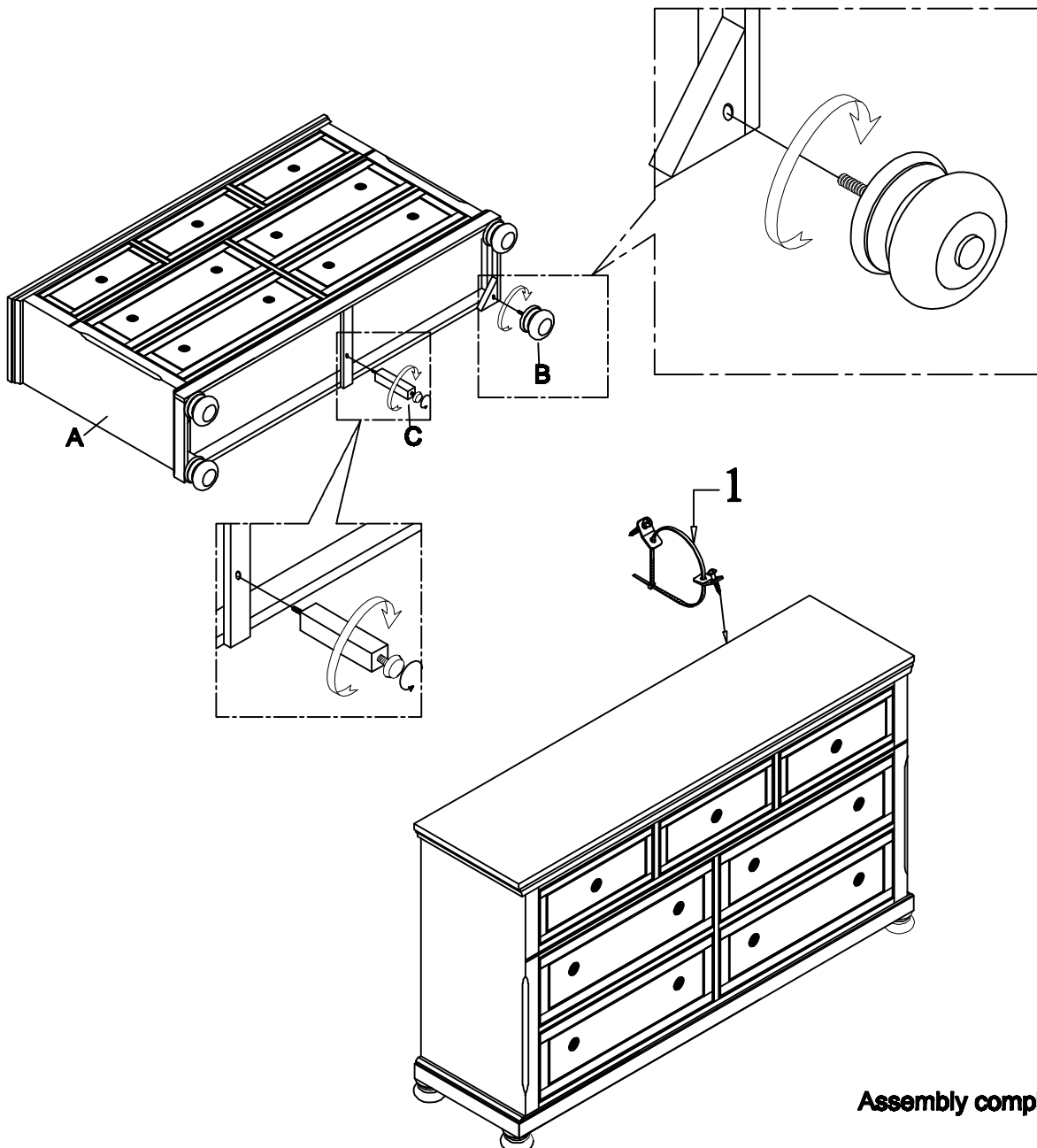


Assembly Instruction

ITEM: B2159-050 ALLEGRA DRESSER

NO.		Part list	Q' TY
A		Cabinet	1PC
B		Leg	4PCS
C		Support Leg	1PC

NO.		HARDWARE LIST:	Q' TY
1		TIPPING RESTRAINT	1PC






Assembly completed

MADE IN VIETNAM

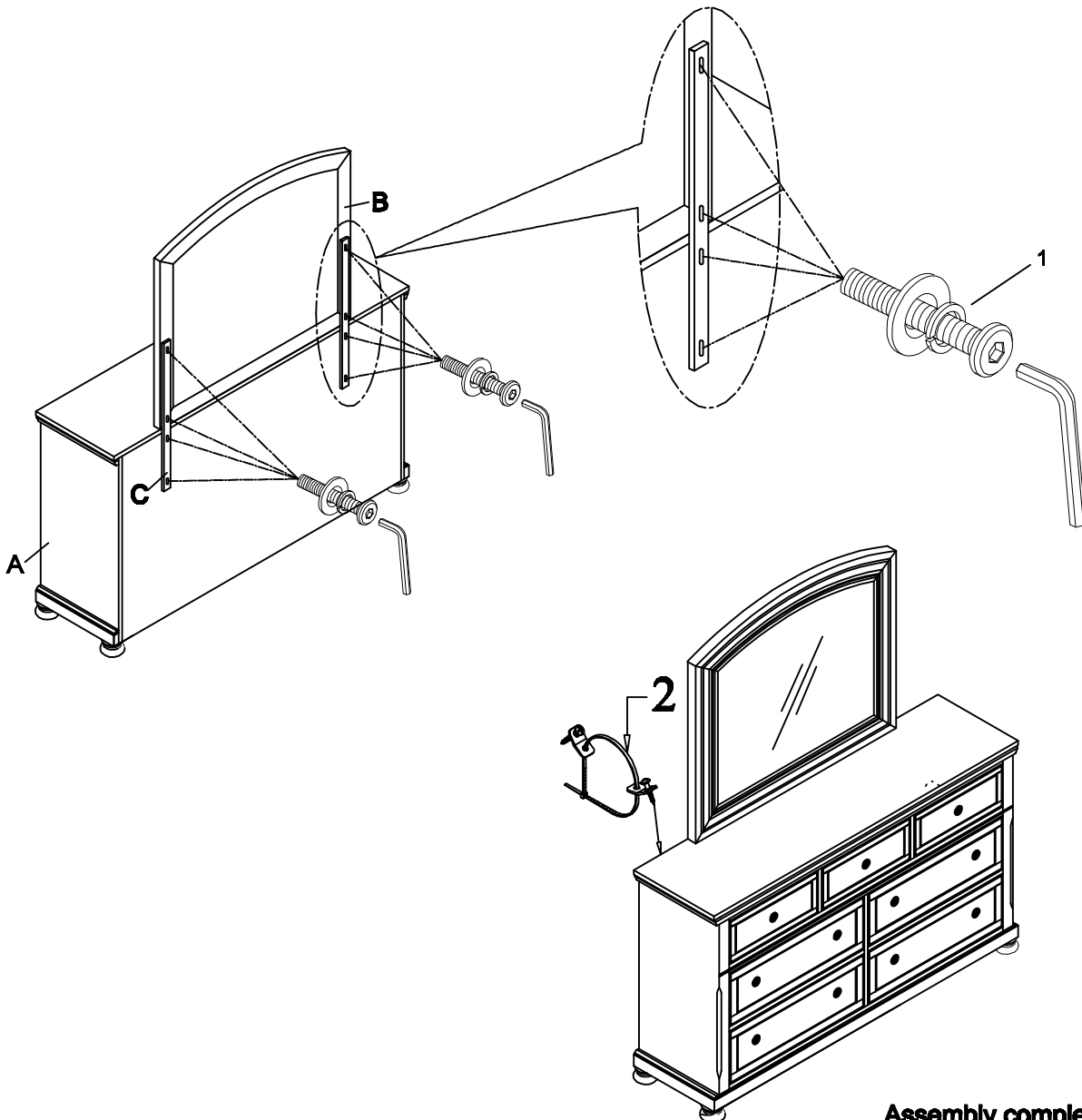


Assembly Instruction

ITEM: B2159-060 ALLEGRA MIRROR

NO.	Part list	Q' TY
A	 Dresser	1PC
B	 Mirror	1PC
C	 Support Slats	2PCS

NO.	Hardware List	Q' TY
1	 Ø1/4" *1-1/2"L Allen Bolt	8PCS
	 Ø1/4" Spring washer	8PCS
	 Ø1/4"*Ø19mm Flat washer	8PCS
	 Allen wrench (4mm)	1PC
2	 TIPPING RESTRAINT	1PC





Assembly completed

MADE IN VIETNAM

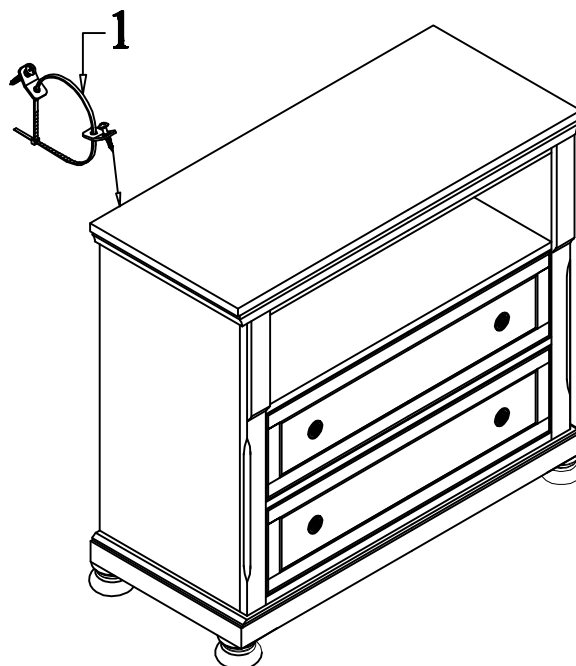
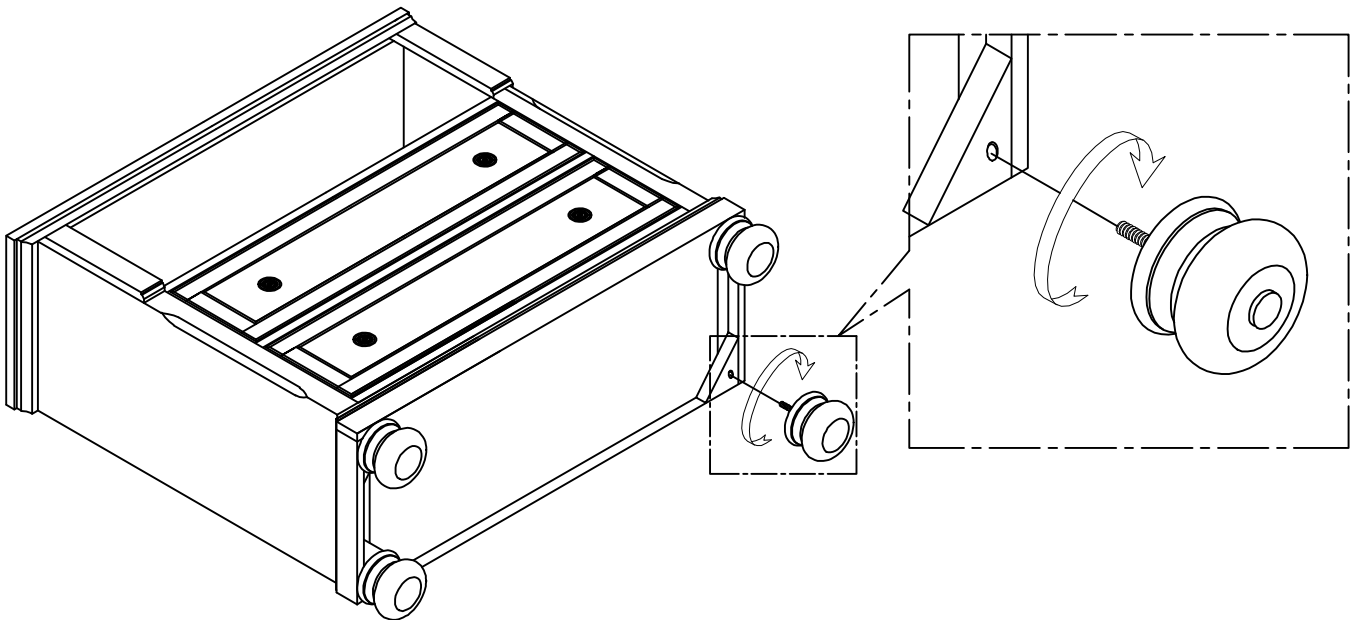


Assembly Instruction

ITEM: B2159-078 ALLEGRA MEDIA CONSOLE

NO.		Part list	Q' TY
A		Cabinet	1PC
B		Leg	4PCS

NO.		HARDWARE LIST:	Q' TY
1		TIPPING RESTRAINT	1PC



Assembly completed

MADE IN VIETNAM