

# DUOPRO PARAMOUNT RANGE SERIES (PSDR)

30 in. 4.2 cu. ft. Dual Fuel Range with 4 Burner Gas DuoPro™ Cooktop and Electric Convection Oven

**ZLINE**  
ATTAINABLE LUXURY®

## PSDR30 Stainless Steel

All 30" models come standard with 4 brass dual burners



Black Stainless Steel



Satin Stainless Steel



Black Satin Stainless Steel



## FEATURES AND BENEFITS

**DuoPro™ Cooktop Design:** Up to 85,000 BTUs of power, double the performance of most standard 30 in. gas cooktops.

**True Simmer-to-Sear:** Every DuoPro™ burner delivers the full range of heat; you can simmer a delicate sauce, sear a steak, or rapidly boil pasta—all at the same time—without worrying about which burner has the right power.

**Italian Auto Re-ignition Burners:** Simmer, sear, saute, and steam across 4 dual-function burners that utilize automatic re-ignition innovation for improved temperature control and cooktop safety.

**Precision Dual Heat Zones:** With a range as low as 800 BTUs on each inner burner to 20,000 to 25,000 BTUs on the outer burners, an exclusive dual-port design lets inner and outer rings operate separately for more efficient cooking than most leading competitors.

**Horizon Oven Window:** Keep a watchful eye on your baking dishes through ZLINE's Horizon oven door design that features a large viewing window.

**Every Burner Is The Best Burner:** The versatility of DuoPro™ cooktops means no more pausing to move pans around, no waiting for the "right burner" to open up, and no compromises on timing—everything is ready when you want it to be.

**Large Oven Capacity:** Large oven capacity of 4.2 cu. ft. fits pans up to 20 in. wide for maximum space and convenience.

**Smooth Glide Ball-Bearing Oven Racks:** 2 durable ball bearing oven racks provide extra convenience and ease when working with larger dishes.

**LP Conversion Kit:** Comes equipped with an LP conversion kit to convert from natural gas to liquid propane (must be done by a professional), offering versatility with your cooking preference.

## LIMITED WARRANTY

**Manufacturing Warranty:** 1-year parts and labor.

**Italian Burners and Spark Tips:** Limited Lifetime Warranty.

*Limited Lifetime includes: parts replacements for burners, burner caps, and parts and labor for the spark tip if parts prove to be defective in materials or workmanship.*

*\*Appliance protection plans sold separately, contact for more information.*

## GAS + ELECTRICAL REQUIREMENTS

Electrical	240 V / 60 Hz / 25 A Dedicated Circuit
Gas Supply	3/4" ID Line

## ELEMENT WATTAGE

Broil / Bake Output	4200 W / 3000 W
---------------------	-----------------

## DuoPro™ COOKTOP (Electronic Ignition and Auto Re-ignition)



### Cooktop BTU

- Back Left: 20,000 BTU
- Back Right: 20,000 BTU
- Front Left: 20,000 BTU
- Front Right: 25,000 BTU

## GENERAL PROPERTIES

SKUs	PSDR30, PSDRS-30, PSDRB-30, PSDRBS-30
Base Finishes	Stainless Steel, Black Stainless Steel, Satin Stainless Steel, Black Satin Stainless Steel
Fuel Type	Convection Electric Oven-Gas Cooktop
Burners	4 Dual Function Brass Burners
Cooktop	Porcelain, Electronic Spark Ignition On All Burners
Mount Type	Free Standing
Timer	No
Material	430 Grade Stainless Steel
Grates	Modern
Certification	ETL Certified

## DIMENSIONS AND WEIGHT

Product Dimensions	30" W x 27 3/4" D x 36" H
Cutout Dimensions	30 1/4" W x 24 3/4" D x 36" H
Product Weight	235 lb (106.6 kg)

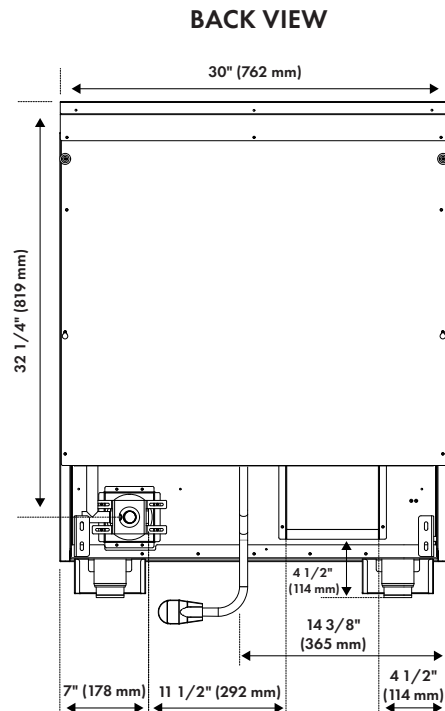
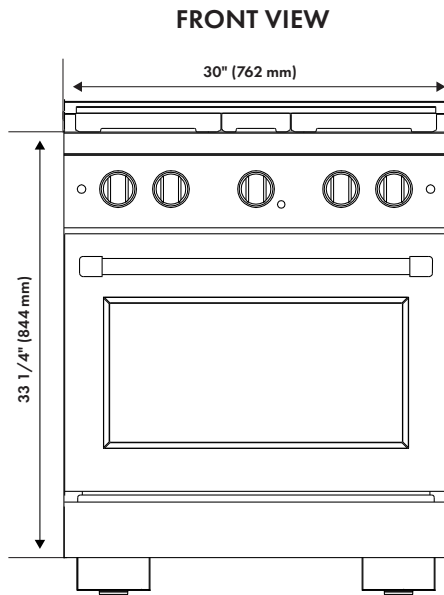
## OVEN FEATURES

Interior Oven Dimensions	24 7/8" W x 17 3/4" D x 16" H
Self-Clean	No
Oven Lighting	(2) Halogen
Oven Features	Bake, Broil, Convection Bake
Convection Fan	Yes
Number of Racks	2
Child Lock	No

# DUOPRO PARAMOUNT RANGE SERIES (PSDR)

30 in. 4.2 cu. ft. Dual Fuel Range with 4 Burner Gas DuoPro™ Cooktop and Electric Convection Oven

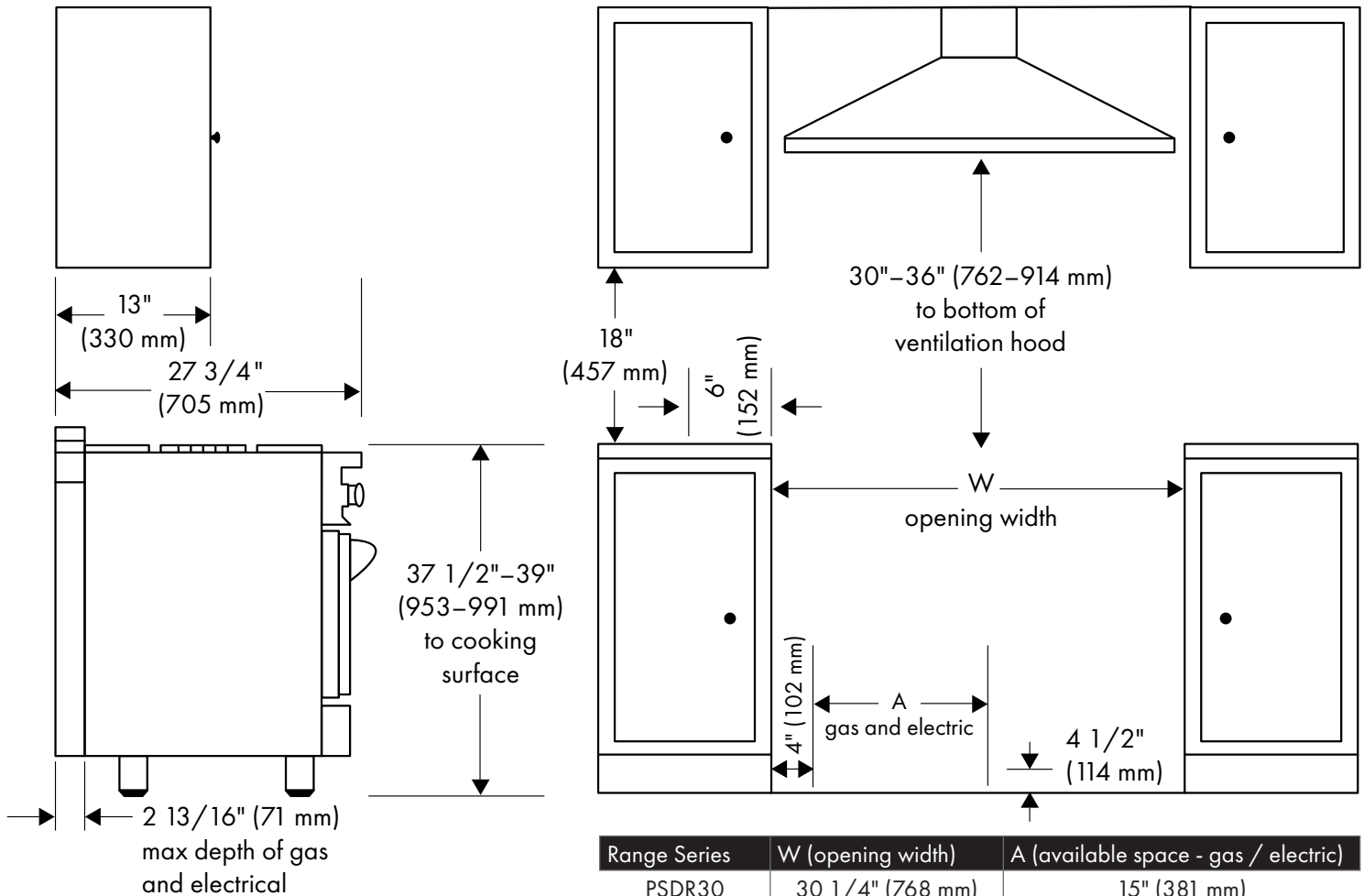
**ZLINE**  
ATTAINABLE LUXURY®



## INSTALLATION RESOURCES

Installation / User Manual

[Click Here](#)



# AUTOGRAPH EDITION

*Andrew Zuro*

Satin Stainless Steel With  
Matte Black Accents



### SATIN STAINLESS STEEL

Polished Gold	PSDRSZ-30-G
Champagne Bronze	PSDRSZ-30-CB
Matte Black	PSDRSZ-30-MB

Stainless Steel With  
Champagne Bronze Accents



### STAINLESS STEEL

Polished Gold	PSDRZ-30-G
Champagne Bronze	PSDRZ-30-CB
Matte Black	PSDRZ-30-MB

Black Satin Stainless Steel With  
Champagne Bronze Accents



### BLACK SATIN STAINLESS STEEL

Polished Gold	PSDRBSZ-30-G
Champagne Bronze	PSDRBSZ-30-CB

Black Stainless Steel With  
Champagne Bronze Accents



### BLACK STAINLESS STEEL

Polished Gold	PSDRBZ-30-G
Champagne Bronze	PSDRBZ-30-CB

## AUTOGRAPH EDITION COLORED DOORS

Stainless Steel With White Matte Door  
And Champagne Bronze Accents



### SATIN STAINLESS STEEL WITH WHITE MATTE DOOR

Polished Gold	PSDRSZ-WM-30-G
Champagne Bronze	PSDRSZ-WM-30-CB
Matte Black	PSDRSZ-WM-30-MB

### STAINLESS STEEL WITH WHITE MATTE DOOR

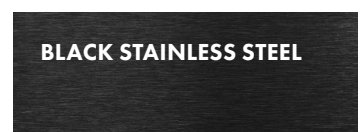
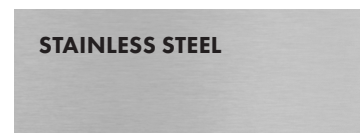
Polished Gold	PSDRZ-WM-30-G
Champagne Bronze	PSDRZ-WM-30-CB
Matte Black	PSDRZ-WM-30-MB

## AUTOGRAPH ACCENT COLORS

Autograph Edition Includes:  
Autograph Edition Knobs, Knob Rings, Handle and 2 Feet Covers.



## BASE FINISHES



# DUOPRO PARAMOUNT RANGE SERIES (PSDR)

30 in. 4.2 cu. ft. Dual Fuel Range with 4 Burner Gas DuoPro™ Cooktop and Electric Convection Oven

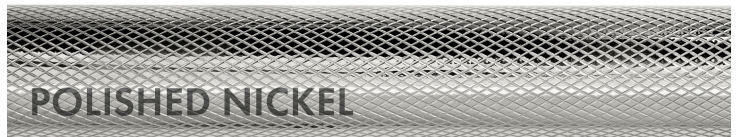
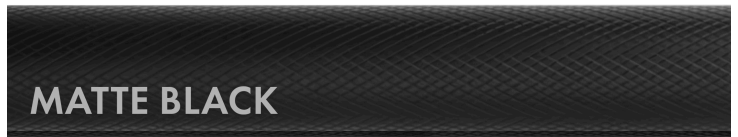
**ZLINE**  
ATTAINABLE LUXURY®

## NEW AUTOGRAPH HELIX HANDLE FINISH



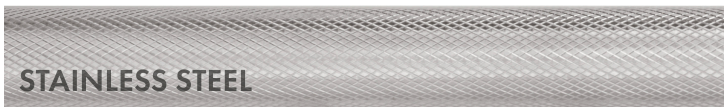
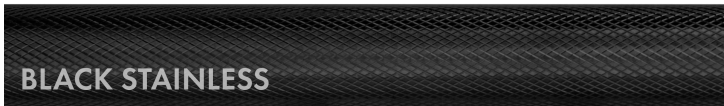
Helix Handles:

Not offered as a range bundle SKU. Handle must be purchased separately.



### STANDARD HELIX HANDLE SET (SET OF 1)

Black Stainless Steel Helix Handle	SGZ-054B-K-BS
Stainless Steel Helix Handle	SGZ-054B-K-ST



### AUTOGRAPH HELIX HANDLE (SET OF 1)

Polished Gold Helix Handle	SGZ-054B-K-G
Champagne Bronze Helix Handle	SGZ-054B-K-CB
Matte Black Helix Handle	SGZ-054B-K-MB
Polished Nickel Helix Handle	SGZ-054B-K-PN

## RANGE + COLORED DOOR

Stainless Steel  
With White Matte Door



### STAINLESS STEEL

Black Matte Door	PSDR-BLM-30
White Matte Door	PSDR-WM-30

Satin Stainless Steel  
With Black Matte Door



### SATIN STAINLESS STEEL

Black Matte Door	PSDRS-BLM-30
White Matte Door	PSDRS-WM-30

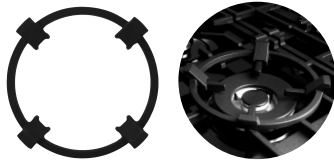


\*Assembly Required: Colored doors will ship separately

# ZLINE KITCHEN ACCESSORIES

Range + Kitchen Compatible Accessories

**ZLINE**  
ATTAINABLE LUXURY®



Cooktop Wok Ring | RA-005A



Cleaner/Polish | STCLT-8



Reversible Cast Iron Griddle | SR-GRNS



German Steel  
15 Piece Knife Set | KSETT-GS-15



German Steel  
3 Piece Knife Set | KSETT-GS-3



Japanese Damascus  
3 Piece Knife Set | KSETT-JD-3



10-Piece  
Stainless Steel  
Cookware Set | CWSETL-ST-10



10-Piece Stainless  
Steel and Ceramic  
Cookware Set | CWSETL-NS-10



5-Piece Black  
Matte Enameled  
Cast Iron Set | CWSETS-BLM-5



5-Piece White  
Matte Enameled  
Cast Iron Set | CWSETS-WM-5

## CONTACT INFORMATION



### PHONE

**Customer Service**  
1-614-777-5004

**Dealer Assistance**  
1-833-597-2461



### HOURS OF OPERATION

**Customer Service**  
Monday–Friday 6:00am–4:30pm CST

**Dealer Assistance**  
Monday–Friday 7:00am–4:00pm CST



### EMAIL

**Customer Service**  
contact@zlinekitchen.com

**Dealer Assistance**  
dealer@zlinekitchen.com