

### **Product Features**

Compatible with 30" wide Professional Wall Hood

Telescoping design

Perfect match to stainless steel finish of the Thermador Professional Wall Hoods

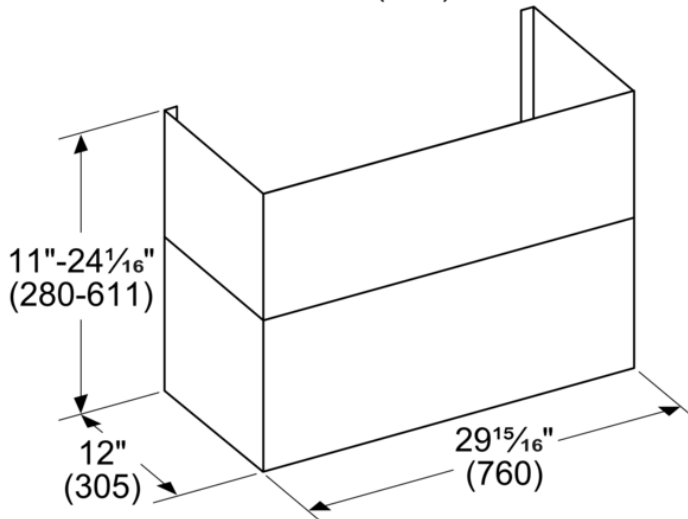
Two pieces included in the telescoping design

Lower duct cover piece is 11" Tall; Upper duct cover piece is 14-1/16" tall

Can also be installed with only lower duct cover piece

**Notes:** Please refer to installation instructions. Installation instructions are available at [www.thermador.com](http://www.thermador.com). Specifications are correct at the time of printing. Thermador reserves the right to change product specifications and design at any time, without notice.

measurements in inches (mm)



**Product Features**

Product group	Accessory
Brand	Thermador
SKU	DC3089W
Internal article number	00000000023000919
EAN code	825225962038
Product packaging dimensions (HxWxD) (in)	19 7/8" x 23 5/8" x 16 7/8"
Net weight (lbs)	20
Gross weight (lbs)	20
UPC code	825225962038
Name of product image	12846787_DC3089W_def.jpg

**Technical Specification**

Notes: Please refer to installation instructions. Installation instructions are available at [www.thermador.com](http://www.thermador.com). Specifications are correct at the time of printing. Thermador reserves the right to change product specifications and design at any time, without notice.