

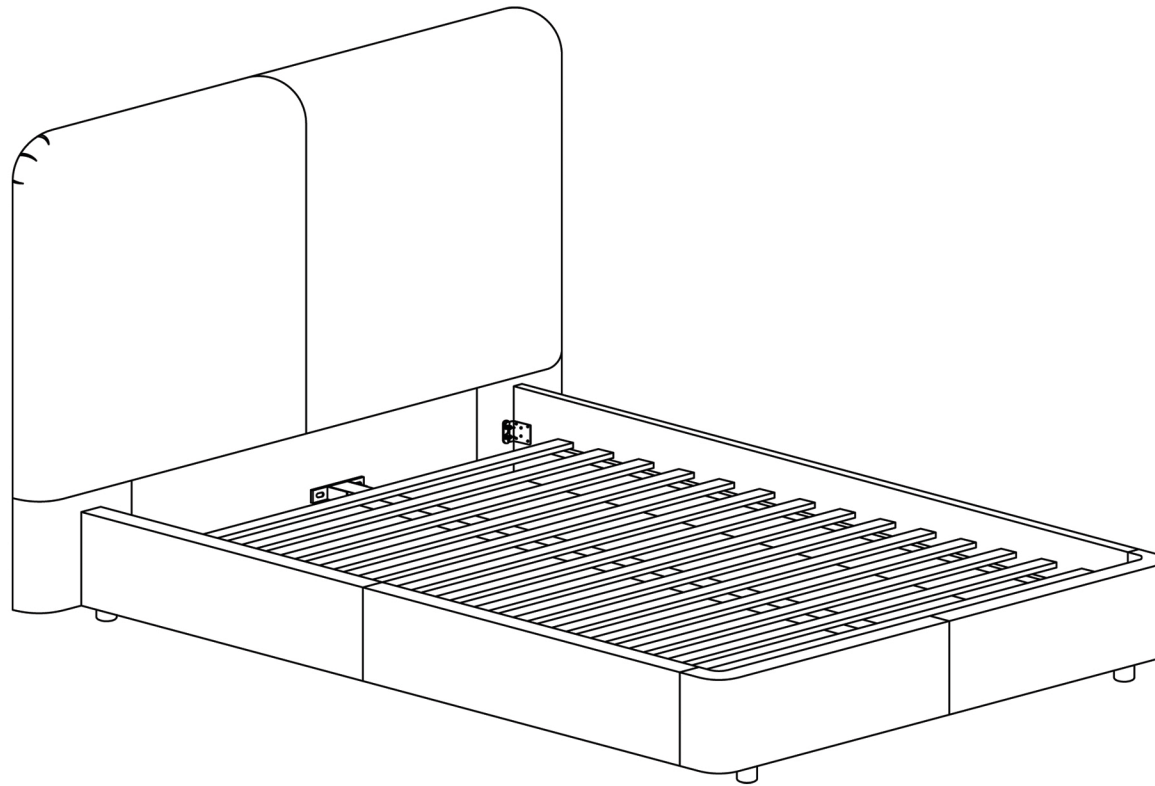
MOE'S

home collection

ASSEMBLY INSTRUCTIONS.


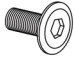
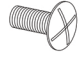
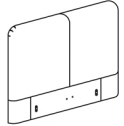
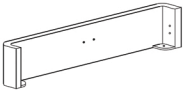
SAMARA QUEEN BED COTTAGE LINEN

RN-1125-34-0



THANK YOU FOR YOUR PURCHASE!

PARTS AND HARDWARE.

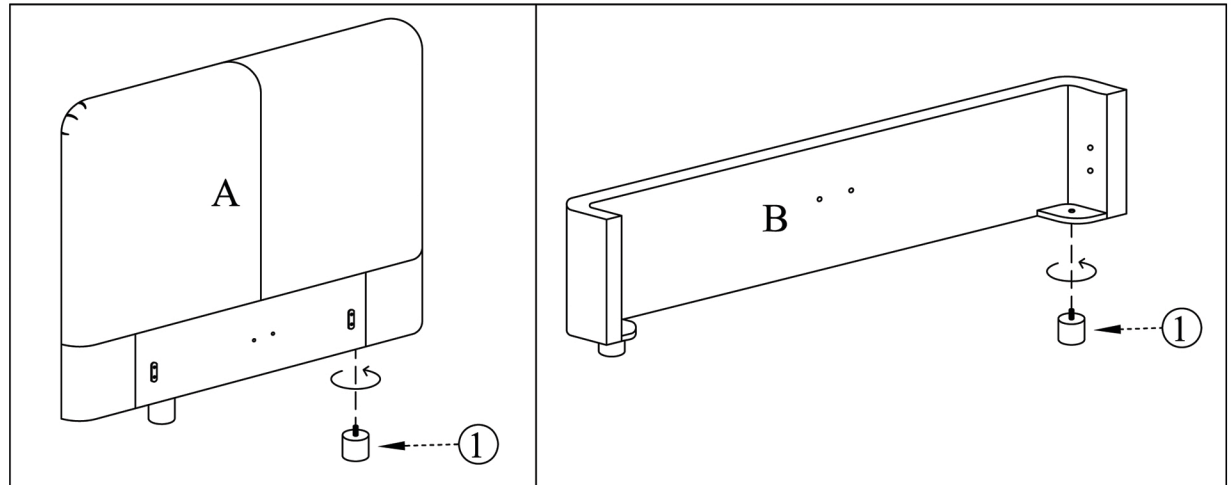
 <p>Feet</p> <p>① X 4</p>	 <p>Gold Bolt (m8*18mm)</p> <p>② X 4</p>
 <p>Bolts (m8*20mm)</p> <p>⑥ X 4</p>	 <p>Headboard</p> <p>A X 1</p>
 <p>Footboard</p> <p>B X 1</p>	

NOTES.

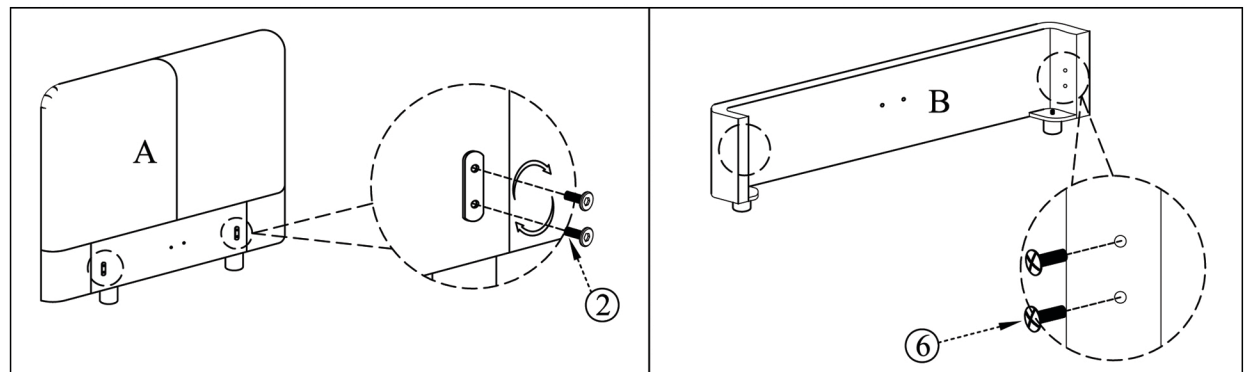
Thank you for purchasing this quality product! Be sure to check all packing material careful for small part that may have come loose inside the carton during shipping.

CAUTION: The item is heavy, assembly should be performed by two people.

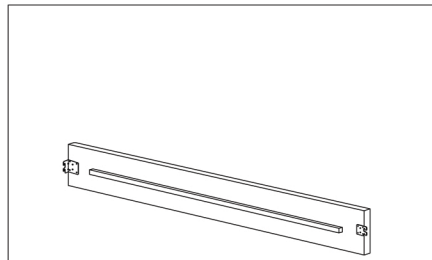
STEP 1.



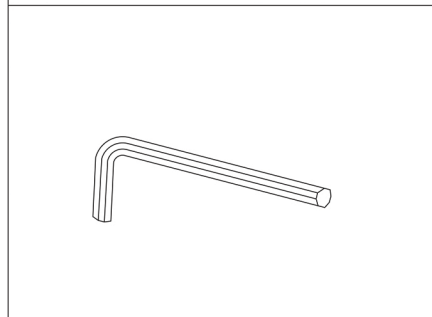
STEP 2.



PARTS AND HARDWARE.



③ Side Rails=2pcs



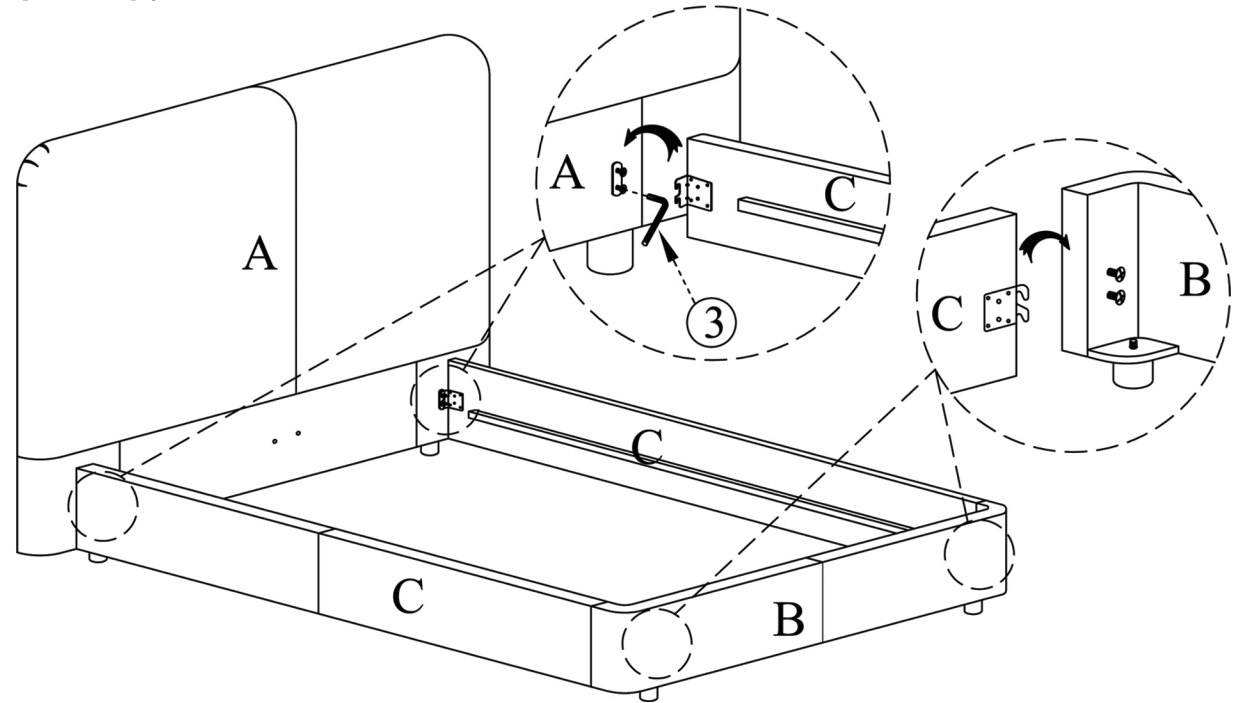
③ Allen Key

NOTES.



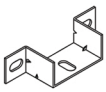
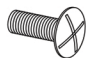
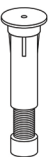
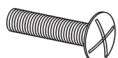
Thank you for purchasing this quality product!
Be sure to check all packing material careful
for small part that may have come loose
inside the carton during shipping.

CAUTION: The item is heavy, assembly
should be performed by two people.

STEP 3.



PARTS AND HARDWARE.

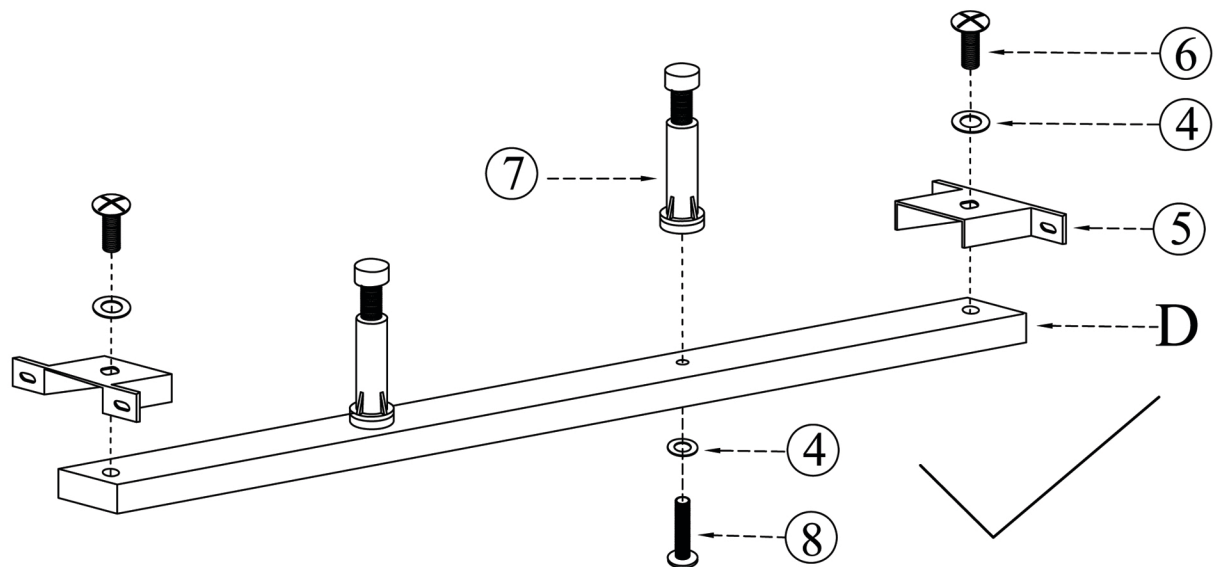
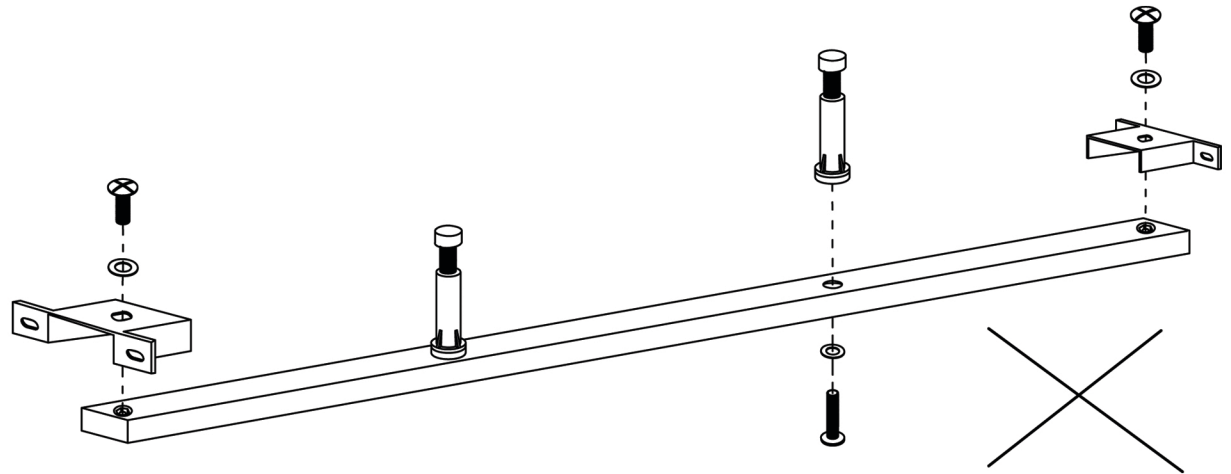
	
① Center Rail=1pc	④ Washers=4pcs
	
⑤ Brackets=2pcs	⑥ Bolts (m8*20mm)=2pcs
	
⑦ Support Legs=2pcs	⑧ Bolts (m8*40mm)=2pcs

NOTES.


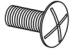


Thank you for purchasing this quality product! Be sure to check all packing material careful for small part that may have come loose inside the carton during shipping.

CAUTION: The item is heavy, assembly should be performed by two people.

STEP 4.



PARTS AND HARDWARE.

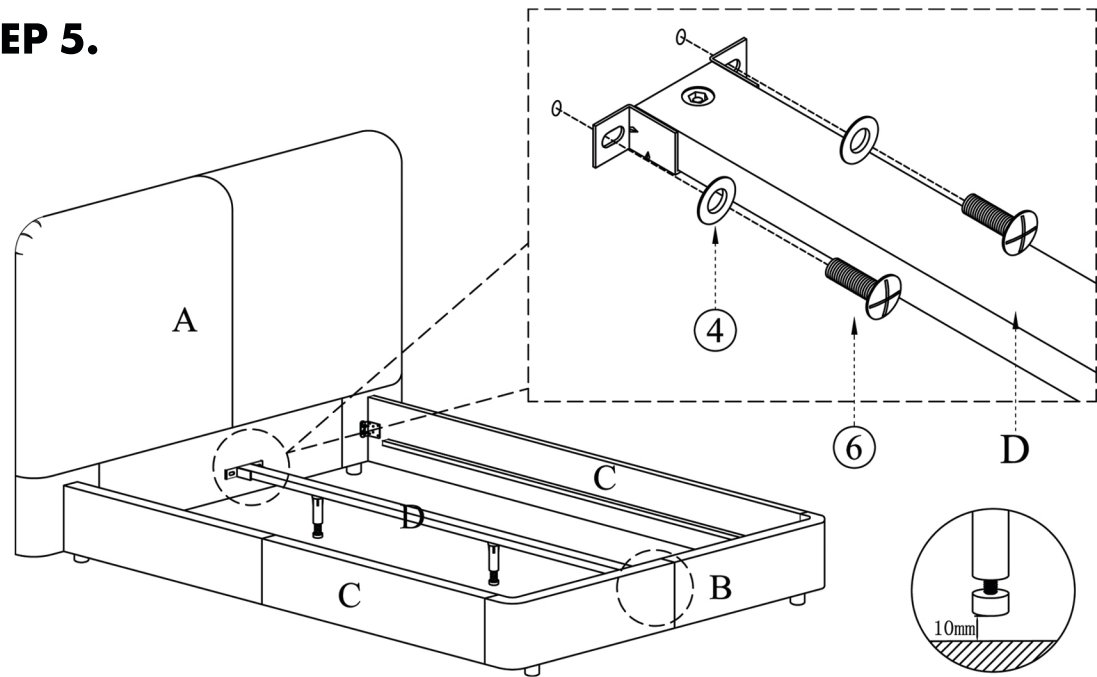
 Washers (m8) ④ X 4	 Bolts (m8*20mm) ⑥ X 4
 Screws (m8*32mm) ⑨ X 42	 Slats E X 1

NOTES.

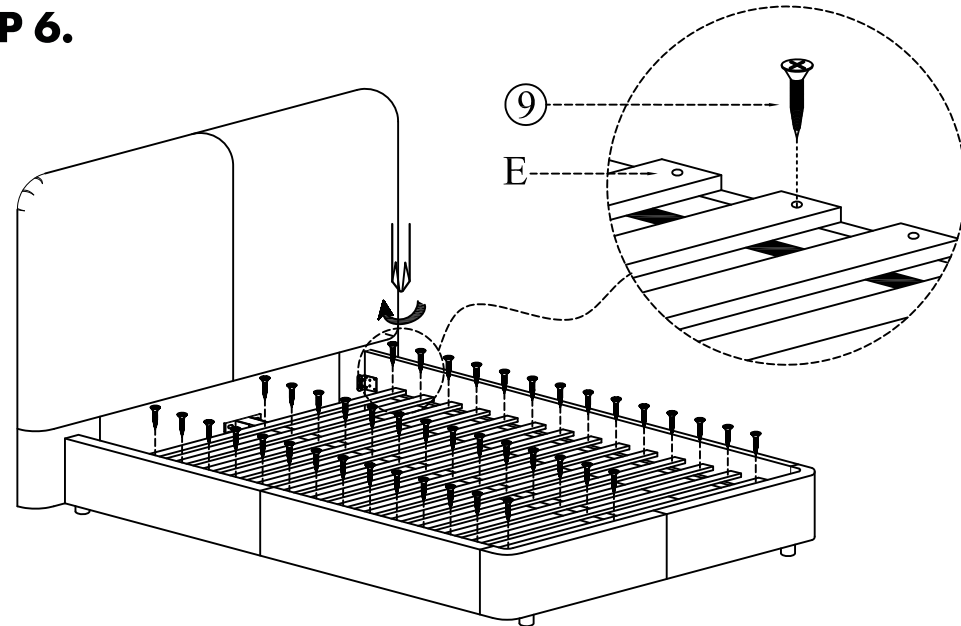
Thank you for purchasing this quality product!
Be sure to check all packing material careful for small part that may have come loose inside the carton during shipping.

CAUTION: The item is heavy, assembly should be performed by two people.

STEP 5.



STEP 6.



Warning: When you need to move the bed please lift it, do not drag it.