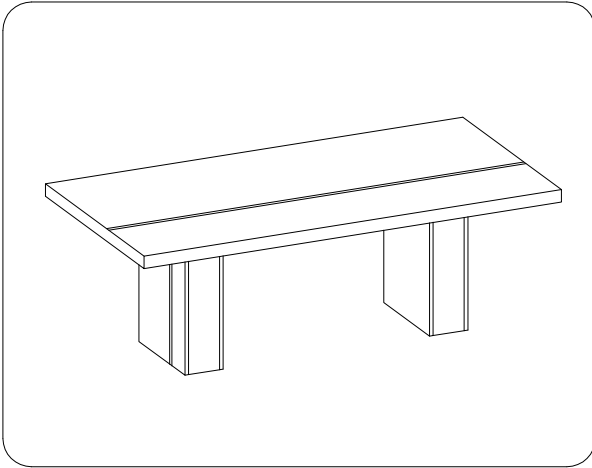




ITEM NO: I318-6030 Pedestal Dining Table

Thank you for purchasing this quality product. Be sure to check all packing material carefully for small parts that may come loose inside the carton during shipment.



TOOLS REQUIRED (NOT PROVIDED)

PHILLIPS SCREWDRIVER

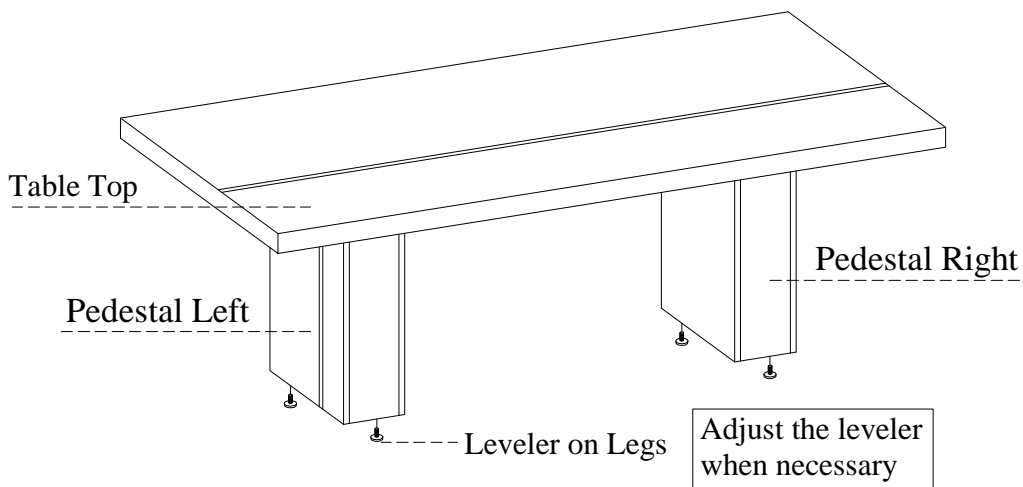
HARDWARE LIST:

No.	Description	Sketch	Quantity
A	JCBC Bolt M6 x 1-3/8"		24 PCS
B	Spring Washer 1/4"		24 PCS
C	Flat Washer 1/4" x 5/8"		24 PCS
D	Allen Key M4		1 PC

COMPONENTS LIST:

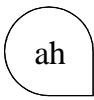
No.	Description	Sketch	Quantity
1	Table Top		1 PC
2	Pedestal Left		1 PC
3	Pedestal Right		1 PC
4	Mounting Panel		2 PCS

FUNCTIONALITY INSTRUCTION



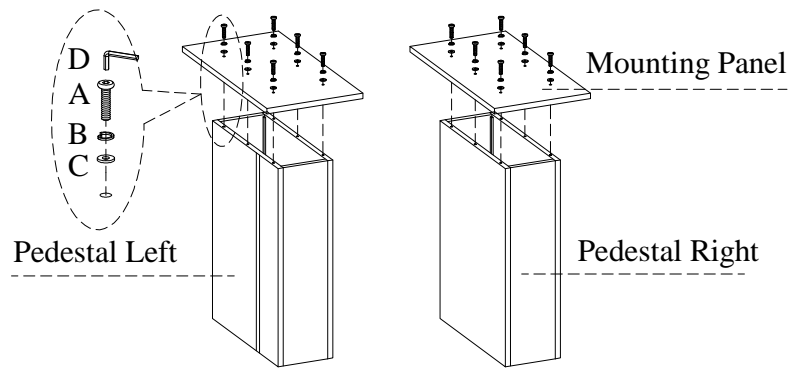
BEFORE USING THIS PRODUCT PLEASE READ, UNDERSTAND, AND FOLLOW THESE INSTRUCTIONS. Save these instructions for future reference.

FOR INDOOR USE ONLY

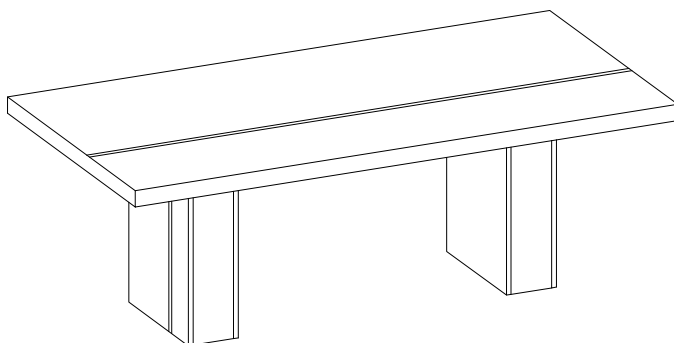
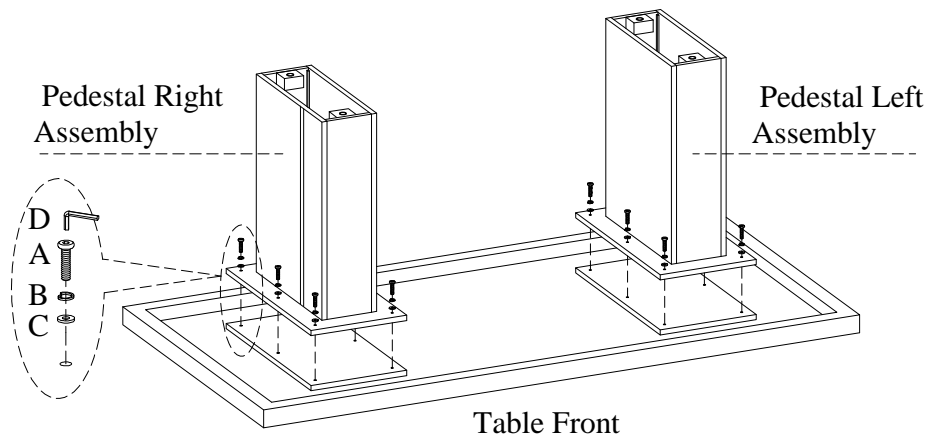


ITEM NO: I318-6030 Pedestal Dining Table

STEP 1: Attach the mounting panels to pedestal left and pedestal right by using 12 bolts(A), spring washers(B), flat washers(C).



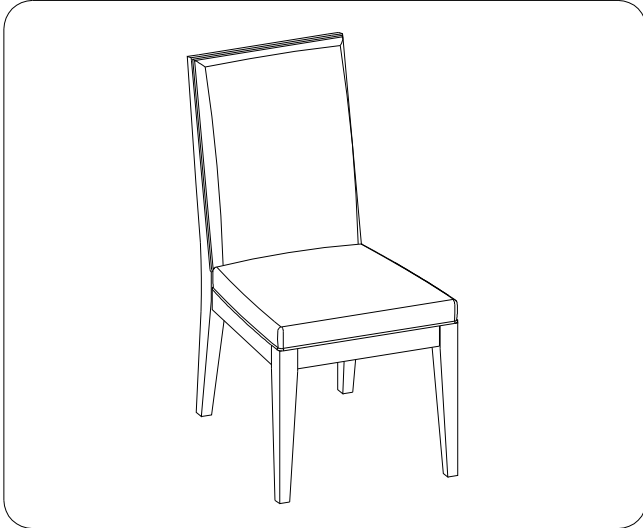
STEP 2: Lay the table top face down on a soft surface. Attach the pedestal left assembly and pedestal right assembly to table top by using 12 bolts(A), spring washers(B) and flat washers(C). Use the allen key(D) provided to tighten all the bolts. Turn the assembled table to the upright position.





ITEM NO: I318-6640S Uph Dining Side Chair (2/Ctn)

Thank you for purchasing this quality product. Be sure to check all packing material carefully for small parts that may come loose inside the carton during shipment.



TOOLS REQUIRED (NOT PROVIDED)

PHILLIPS SCREWDRIVER

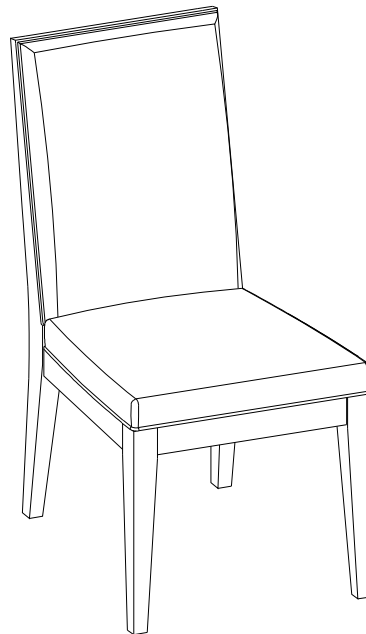
HARDWARE LIST:

No.	Description	Sketch	Quantity
A	Hex. Bolt M6 x 3-1/8"		4 PCS
B	Hex. Bolt M6 x 2-3/8"		4 PCS
C	Hex. Bolt M6 x 1-9/16"		2 PCS
D	Spring Washer 1/4"		10 PCS
E	Flat Washer 1/4" x 3/4"		10 PCS
F	Spanner		1 PC

COMPONENTS LIST:

No.	Description	Sketch	Quantity
1	Chair Back		1 PC
2	Chair Seat		1 PC
3	Front Leg		2 PCS

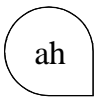
FUNCTIONALITY INSTRUCTION



BEFORE USING THIS PRODUCT PLEASE READ, UNDERSTAND, AND FOLLOW THESE INSTRUCTIONS.

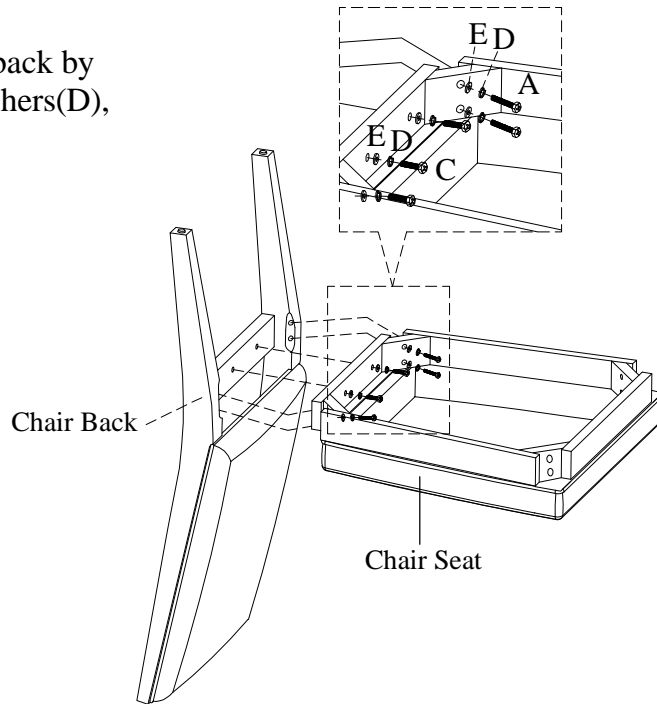
Save these instructions for future reference.

FOR INDOOR USE ONLY



ITEM NO: I318-6640S Uph Dining Side Chair (2/Ctn)

STEP 1: Attach the chair seat to chair back by using 4 bolts(A), 2 bolts(C), 6 lock washers(D), 6 flat washers(E) with a spanner(F).



STEP 2: Attach the front legs to chair seat by using 4 bolts(B), lock washers(D), flat washers(E). Completely tighten all bolts. Turn the assembled chair to the upright position.

