



Vacuum Seal Drawer Front Panel Installation

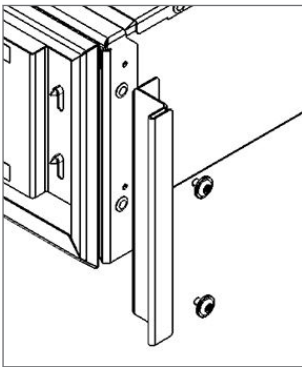
wolfappliance.com 800.222.7820

CONTENTS

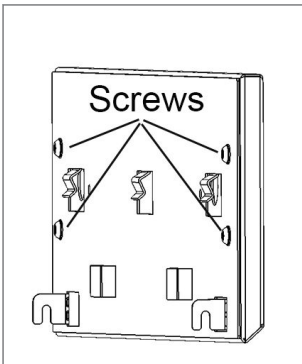
1	Panel, front
2	Trim, side
4	Washer
4	Screw, #6 x $\frac{3}{8}$ "
4	Screw, #8 x 1"

VACUUM SEAL DRAWER FRONT PANEL INSTALLATION

- 1 Use the #6 x $\frac{3}{8}$ " screws and washers to install the side trim.

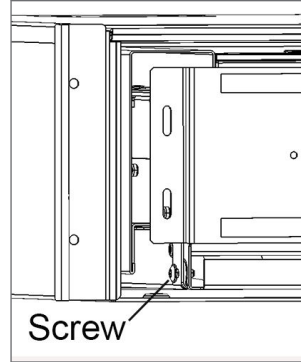


- 2 For black glass and stainless steel front panels, proceed to step 5. For custom drawer fronts, remove the four screws from the back of the front panel assembly.

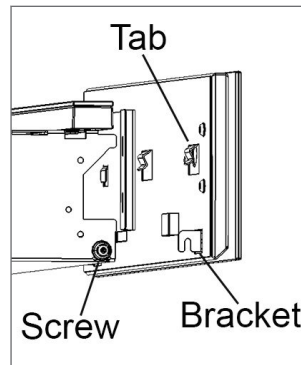


- 3 Separate the filler panel from the mounting bracket.
- 4 Center the mounting bracket on the custom panel and use the existing screws to secure the bracket to the panel.
- 5 Open the drawer slightly.

- 6 Loosen the mounting screw on both sides of the drawer front.



- 7 Align the drawer front tabs with the openings on the drawer front and the lower mounting brackets with the mounting screws.



- 8 Press down on the front panel.
- 9 Verify the brackets engaged the mounting screws.
- 10 Tighten the mounting screws to secure the front panel.

