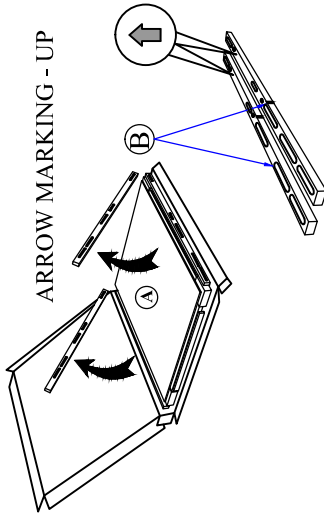


ASSEMBLY INSTRUCTION

STEP 1

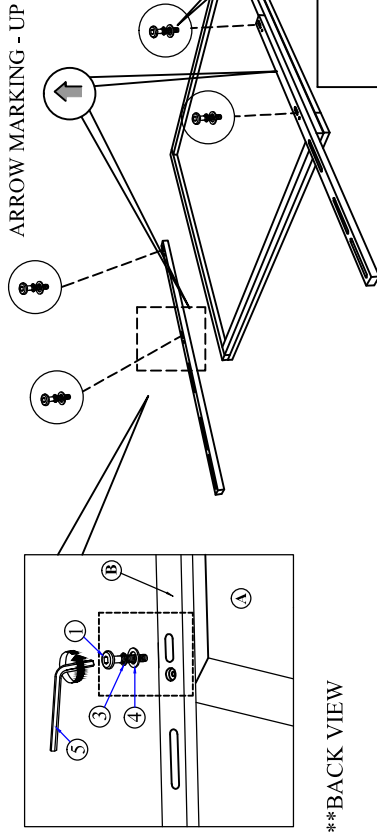
Draw out mirror support (B) from the carton box.



STEP 2 :

Align & fasten mirror support (B) to the back of mirror (A) using short JCBC bolt(1), spring washer (3) & flat washer (4). DO NOT FULLY TIGHTEN AT THIS STEP.

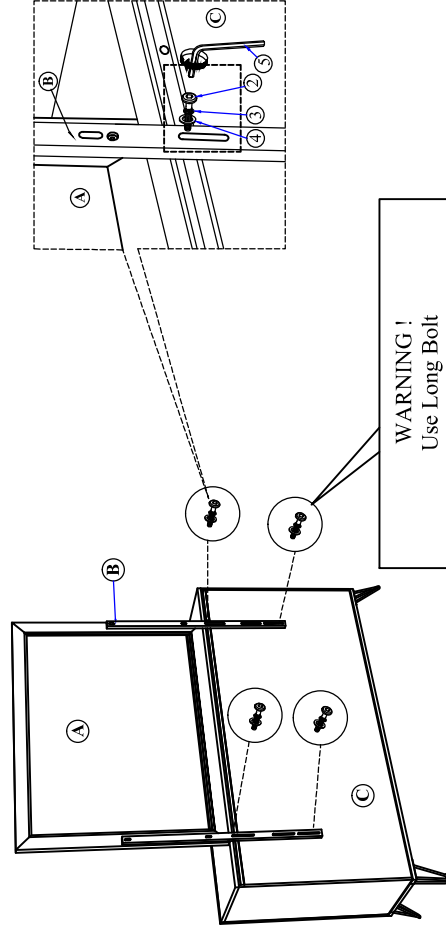
Note : Make sure arrow marking of the mirror support (B) is aligned up.



**BACK VIEW

STEP 3 :

Place mirror (A) on top of dresser (C). Align & fasten mirror support (B) to the back of dresser (C) using JCBC bolt (2), spring washer (3) & flat washer (4) THEN FULLY TIGHTEN ALL THE BOLTS AT STEP 2 & 3 WITH ALLEN KEY (5).



WARNING !
Use Long Bolt
M6 x 40mm

COMPLETED ASSEMBLY

MODEL0240A DRESSER & MIRROR

(Box 1)

NO	ITEM	Qty
A	MIRROR	1 PC
B	MIRROR SUPPORT RAIL	2 PCS

(Box. 2)

NO	ITEM	Qty
C	DRESSER	1 PC

(Box. 1)

HARDWARE LIST

NO	ITEM	Qty
1	JCBC BOLT M6 x 35MM BLK	4 PCS
2	JCBC BOLT M6 x 40MM BLK	4 PCS
3	SPRING WASHER 1/4" RBW	8 PCS
4	FLAT WASHER 1/4" ID x 19mm OOD BLK	8 PCS
5	ALLEN KEY 1/4" x 65mm BLK	1 PC

NOTE : MUST TIGHTEN SCREWS PERIODICALLY WITH USE SCREW WILL BECOME LOOSE CHECK TIGHTNESS OF ALL SCREW EVERY 6-8 WEEKS.