

# LUWM101HWA

## LG SIGNATURE Washer/Dryer Combo

# LG SIGNATURE

KEY FEATURES

- 2.8 cu.ft. Capacity
- 24" Compact Washer / Dryer Combo
- Quick Circle LCD Display
- Auto Dosing System
- TurboWash®
- SideKick™ Compatible (LUWD1CW)
- Inverter Heat Pump Drying
- SmartThinQ™ Technology
- 20-Year Warranty on Inverter Direct Drive Motor



\*Compared to an LG front load washer without TurboWash. Based on AHAM-HLV-1-2010 test protocol. Cotton / Normal or comparable cycle at default settings, 8 lb. loads. Excludes quick wash or comparable cycles intended for small, lightly soiled loads only.

PRODUCT FEATURES

<b>CAPACITY</b>	
Capacity	2.8 cu. ft.
<b>APPEARANCE</b>	
Design Look	Front Control
On-Door Electronic Control Panel with LCD Display	Yes (One control panel operates both combo and SideKick™)
Touch Buttons	Yes
<b>WASH PROGRAMS</b>	
No. of Programs	17
Wash Programs	Cotton/Normal, Speed Wash, Heavy Duty, Auto Wash, Perm. Press, Wool, Allergiene, Sanitary, Speed Wash + Dry, Baby Wear, Outdoor, Delicate, Tub Clean, Rinse+Spin, Spin, Bulky/Large, Cotton+
No. of Options	9
Options	TurboWash®, Prewash, Hygienic Rinse, FreshCare™, Delay Wash, Add Garment, Auto Dispense, Extra Rinse, Child Lock
No. of Wash/Rinse Temps	5 (Extra Hot, Hot, Warm, Cold, Tap Cold (All Cold Rinses))
Spin Speeds	Extra High (1,600 max.), High, Medium, Low, No Spin
No. of Water Levels	Automatically adjusts to the size of load
No. of Soil Levels	5
<b>FABRIC CARE FEATURES</b>	
TurboWash® 2.0 Technology	Yes
Steam Technology	Yes
<b>DRYER PROGRAMS</b>	
Drying Technology	Inverter Heat Pump Drying
No. of Programs	6
Dryer Programs (Sensor Dry)	Normal, Outdoor, Time Dry, Wash+Dry, Perm. Press, Delicates
<b>CONVENIENCE FEATURES</b>	
End of Cycle Signal	On/Off
Drum Light	Yes
<b>SMARTTHINQ™ TECHNOLOGY</b>	
WiFi	Yes
SmartDiagnosis™	Yes
Energy Monitoring	Yes
Remote Control	Wi-Fi App
<b>MOTOR AND AGITATOR</b>	
Motor Type	Inverter Direct Drive Motor
Max RPM	1600
Axis	Horizontal

<b>MATERIALS AND FINISHES</b>	
NeveRust™ Stainless Steel Drum	Yes
Cabinet	Enamel
Control Panel	Glass Touch
Top Plate	Enamel
Door / Rim	Glass
Door Cover	Dark Black Tinted Round Cover
All Available Colors	White (W)
<b>POWER SOURCE</b>	
Ratings	UL Listed
Electrical Requirements	120V, 10 Amps
Type	Electric
<b>OPTIONS/ACCESSORIES</b>	
LG Sidekick™ Pedestal Washer	LUWD1CW
LG Sidekick™ Pedestal Washer (WxHxD)	23 1/2" x 14 1/2" x 26" (42 1/8 with drawer open)
Hose Included	Yes
<b>DIMENSIONS/CLEARANCES/WEIGHTS</b>	
Product (WxHxD)	23 5/8" x 33 1/2" x 26 1/2"
Depth with Door Open	47"
Carton (WxHxD)	26" x 35 3/4" x 27 3/4"
Weight (Product/Carton)	208 / 218 lbs.
<b>LIMITED WARRANTY</b>	
Limited Warranty	1 Year Parts and Labor, 20 Years on Inverter Direct Drive Motor, Lifetime on Drum
<b>UPC CODES</b>	
LUWM101HWA Washer/Dryer	048231020343
LUWD1CW SideKick™ Pedestal	048231020466

# LUWM101HWA

## LG SIGNATURE Washer/Dryer Combo

### QUICK INSTALL & CLEARANCES

For full installation directions/clearances please refer to the corresponding User Manual and Installation Guide.

#### DIMENSIONS

Product (WxHxD)	23 5/8" x 33 1/2" x 26 1/2"
Depth with Door Open	47"
Carton Dimensions (in) (W x H x D)	26" x 35 3/4" x 27 3/4"

#### POWER RATINGS

Ratings	UL Listed
Electrical Requirements	120V, 10 Amps



#### CHOOSING THE PROPER LOCATION

Check the following requirements for the install location before installing the washer.

- Allow for sufficient space between the walls and the washer for installation.
- Make sure that the floor is clean, dry and free of dust, dirt, water and oil so the leveling feet cannot slide easily. Leveling feet that can move or slide on the floor can contribute to excess vibration and noise.
- If the floor has too much flex, reinforce it to make it more rigid. If the floor is not solid, it may cause severe vibration and noise.
- If a drain pan must be used, take extra care to follow the instructions provided with the drain pan and make sure the leveling feet are adjusted for firm and even contact with the pan. Use of drain pans and failure to properly level the washer may result in increased vibration and noise during operation.

#### Power Outlet

- The power outlet must be within 60 inches (1.5m) of either side of the washer.
- Position the washer so that the outlet and plug are easily accessible.
- Do not overload the outlet with more than one appliance.
- The outlet must be grounded in accordance with current electrical wiring codes and regulations.
- Use a time-delay fuse or circuit breaker.
- It is the personal responsibility and obligation of the washer owner to have a proper outlet installed by a qualified electrician.

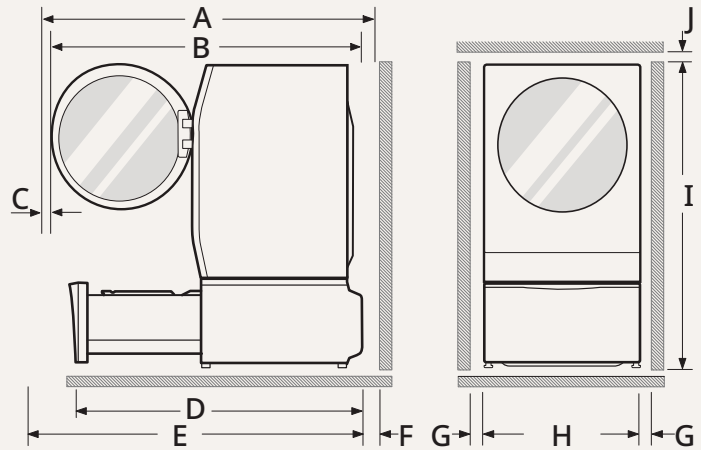
#### Flooring

- To minimize noise and vibration, install the washer on a level, solidly constructed floor capable of supporting the washer without flexing or bouncing.
- The washer must be installed on firm flooring to minimize vibration during the spin cycle. Concrete flooring is best, but a wood floor is sufficient, provided it is built to FHA standards.
- The floor under the washer must not slope more than 1" (2.5 cm) from front to back or side to side.
- Installing on carpeting and soft tile surfaces is not recommended.
- Never install the washer on a platform or weakly supported structure.

#### Stacking Installation

- To ensure sufficient clearance for water inlet hoses, drain hose and airflow, allow minimum clearances of at least 2" (5 cm) at the sides and 4" (10 cm) behind the washer. Be sure to allow for wall, door, or floor moldings that may increase the required clearances.

#### PRODUCT DIMENSIONS



#### DIMENSIONS AND CLEARANCES

A 53 1/8"	F 4"
B 48 1/2"	G 2"
C 1"	H 23 5/8"
D 43 3/8"	I 49 1/4"
E 49 1/4"	J 1/4"

#### CONNECTING THE WATER INLET HOSES

To avoid the risk of costly water damage, purchase and install new water inlet hoses when installing the washer.

#### WARNING

- Do not overtighten the hoses or cross-thread the hose fittings. Overtightening or cross-threading can damage the valves or couplings, resulting in leaking and property damage.
- Do not reuse old hoses. Use only new hoses when installing the washer. Old hoses could leak or burst causing flooding and property damage. Contact an LG Customer Information Center for assistance in buying hoses.

#### NOTE

- Periodically check the hoses for cracks, leaks, and wear, and replace the hoses every five years.
- Do not stretch the water hoses intentionally, and make sure that they are not pinched, crushed or kinked by other objects.
- Water supply pressure must be between 20 psi and 120 psi (138 - 827 kPa). If the water supply pressure is more than 120 psi, a pressure reducing valve must be installed.
- Your hot water heater should be set to deliver water at 120-135 °F (48-57 °C) to allow the washer to properly control wash temperatures.
- Do not store or install the washer in a location subject to freezing temperatures. Damage to the water inlet hoses and internal mechanisms of the washer can result. If the washer was exposed to freezing temperatures prior to installation, allow it to stand at room temperature for several hours before use and check for leaks prior to operation.
- Do not use flood-preventing hoses with auto shut off devices. The devices can be tripped during fill and prevent the washer from filling properly.