

Welcome to
The Modernist Collection

dacor

The Modernist Collection

For over fifty years, Dacor's luxury appliances have built a legacy of craftsmanship and breakthrough innovations. From the first self-contained ventilation hoods for the residential market, to among the first smart ovens, our history has been defined by delightful innovations featuring beautiful design, intuitive technology, and superior performance.

Today, Dacor is once again reinventing the kitchen with visionary new cooking and cooling experiences that deliver breakthrough innovations, and beautiful and seductive design features. Its intuitive interfaces will surprise and delight today's home chefs and entertainers, making dish preparation effortless. Dacor luxury innovations will ignite your creativity and spark unique, entertaining experiences that bring people together, creating unforgettable moments.

Dacor's Decades of Innovation

1948

Stananthony Corp. founded

Self-contained Ventilation Hood:

First complete system for the residential market

1957

Indoor Electric BBQ:

Patented indoor barbecue for year-round use

1965

The birth of Distinctive Appliances Incorporated

1975

Six-burner Modular Cooking System:

Created full kitchen capacity for compact kitchen areas

1977

Full-sized, Self-cleaning, Drop-in Modular Range

1980

Microwave Oven/Ventilation Hood Shelf

1981

Modular Cooking System with Overhead or Downdraft Ventilation

1982

Full-size, Self-cleaning, Drop-in & Free-standing Modular Range

1984

Solid Burner Module

1985

Four- & Six-burner Gas Cooktops with Continuous Platform Grate Design and Overhead or Downdraft Ventilation

1987

30" Pure Convection™ & Self-cleaning Wall Oven for wall or under the counter installations: New industry category accommodated the needs of home chefs with larger oven capacity

1989

Five Burner, Sealed-gas, Glass Cooktop

Monochromatic Styling Ceran® Glass Cooktop Module with Halogen/Quick Start Elements

1990

Five-burner Ceran Cooktop with Halogen Elements

Raised Ventilation Downdraft System with Electronic Control

1991

30" Double Wall, Pure Convection
& Self-cleaning Oven

1993

27" and 30" Double Electric Wall Oven with
Two (Larger) Pure Convection Cells

Dual-fuel Gas & Electric Cooktop Cooking

1994

27" Warming Oven

1995

Four-sided Beveled Glass Electric Cooktop
with "Touch Controls"

The Dacor Great™:

14" Grate Allows for a 40% Larger Cooking Surface

Professional Dual-fuel Ranges
set the standard for luxury

1996

An All-gas Convection 30" Range with
Self-cleaning Oven

48" Cooktop with a One-piece, Easy-to-Clean
Spill Basin & Sealed Burners

1997

World's first patented Infrared Ceramic Gas Broiler
inside a Pure Convection Self-cleaning Electric Oven

1999

Introduced a Butterfly Bake Element™:
Created a higher performance traditional
bake mode

2001

First Outdoor Grill with Halogen Lights

First "Fully" Integrated Warming Oven

2002

Epicure 52" Outdoor Grill

2003

Largest Capacity Dishwasher in the Industry
(30" wide): 40% greater capacity than
any other dishwasher

2005

Wall Oven Discovery Controller

S G Cookware Collection

2013

Discovery iQ Wall Oven:

First smart oven with an integrated wireless tablet,
creating the connected kitchen

2017

Modernist Collection launches new era of innovative
and intelligent luxury for the kitchen



Refrigeration

Lights. Camera. Action.

Stylish innovation takes the stage as alluring design and intuitive technology come together in the Modernist Collection Refrigerators and Freezers. Understated, true-flush doors in graphite brushed stainless steel open to dramatic effect. A dazzling interior, inviting LED lighting, and Cocktail Ice™ transform dinner time into show time. EPA-awarded and Energy Star-compliant, our refrigeration solutions feature powerful food preservation systems and integrated Wi-Fi and dual interior cameras make on-the-go meal planning a breeze. Available in a range of sizes, our high-touch, high-tech refrigerators and freezers are the centerpiece of any dream kitchen.

Cool Choice

With our complete line-up of refrigerators and freezers, Dacor gives you the freedom to design your dream kitchen. True-flush installation ensures our impressively tall door exteriors will integrate beautifully into any kitchen design. Choose from multiple sizes and configurations, and install the columns separately to suit a unique space or side-by-side for a more traditional look. Whether you select our silver or graphite stainless steel finish, these sleek columns will steal the show.

Refrigerator Columns

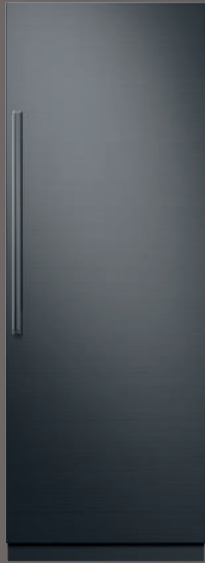
All of our refrigerator columns are beautiful inside and out. Available in 24", 30", and 36" widths, with right- or left-hand door swing, they feature advanced technology that preserves food at peak freshness and helps you manage your kitchen.

Freezer Columns

Our freezer column line-up features a variety of sizes, so you can make the most of your ideal kitchen layout. From the slender 18" to the generous 36", our range of freezer models offers unparalleled selection.



24" Column Refrigerator



30" Column Refrigerator



36" Column Refrigerator



18" Column Freezer



24" Column Freezer



30" Column Freezer



36" Column Freezer

Models shown are Graphite Stainless Steel. Panels, handles and kick plates sold separately.

Refrigerator and Freezer Columns

Like the perfect host, our true-flush refrigerator and freezer columns bring people together and spark conversation. Inside, expansive LED lighting illuminates the stunning stainless steel walls and aluminum and glass accents. Intuitive features like iQ Remote View™ with dual cameras, Push-To-Open Door Assist™, and the waist-high Hidden Touch Control Panel simplify shopping and kitchen tasks. There's refreshment on tap with our interior filtered water dispenser and dual icemaker featuring Cocktail Ice™. PreciseCooling™ technology, along with dedicated compressors and evaporators in each column, maintain food freshness and preserve flavor – because memorable evenings begin with the best ingredients.

Unparalleled Design

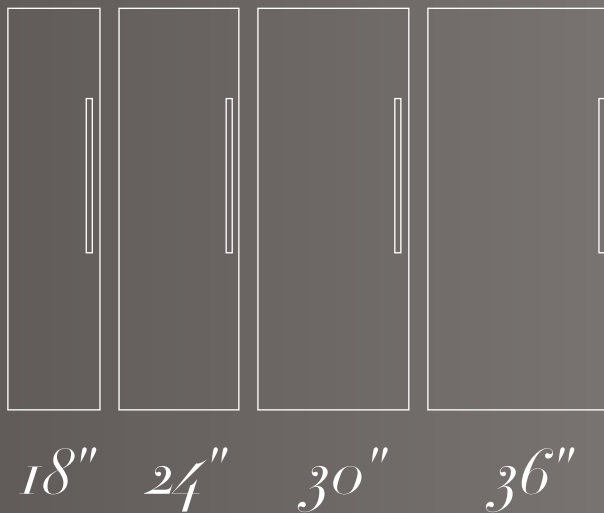
- True-flush refrigerator and freezer columns
- SpaceMax™ large capacity storage
- Authentic materials: stainless steel interior walls, glass and aluminum details
- 3DLighting™: LED lighting flush with ceiling and walls

Thoughtful Innovations

- Push-To-Open Door Assist™
- Hidden Touch Control Panel at waist height
- FreshZone™ Drawer with three temperature settings for meat/fish, chilled drinks or dairy
- iQ Remote View™ with dual cameras
- Dedicated compressor and evaporator for each column

Refreshing Touches

- Interior water dispenser in every refrigerator column
- Dual Icemaker including high performance standard ice maker in every freezer column with Cocktail Ice™ Maker in 24", 30", and 36" models
- Separate water filters in every column for fresh filtered water and ice



Available Panel-ready. Graphite or Silver Stainless Steel panels sold separately. Column Refrigerators come in 24", 30", and 36" widths. Column Freezers available in 18", 24", 30", and 36" widths.





iQ Remote View™ with Dual Cameras



Flush LED Lighting

True-flush Installation



Hidden Waist-height Touch Control Panel



Cocktail Ice™

French Door Bottom Freezer

Whether you're throwing an intimate dinner or a lavish feast, our Energy Star-rated French door refrigerators can handle it all. Spill-proof, low-profile glass shelves easily accommodate a multitude of foods and beverages. Never run out of room with SpaceMax™ large capacity storage and a hidden freezer storage compartment. Full extension, soft-close drawers and customizable storage racks allow the refrigerator to adapt to your entertaining needs. Best-in-class food preservation technology keeps everything fresh and flavorful. The French door model houses a dedicated compressor and dual evaporators, and PreciseCooling™ ensures even airflow distribution. FreshZone™ Drawer with customizable temperature settings help you maximize the life of your ingredients for unforgettable meals.

Spacious and Versatile

- SpaceMax™ large capacity storage
- Full extension, soft-close doors
- Customizable storage racks
- Spill-proof, low-profile glass shelves
- Hidden freezer storage compartment
- Stainless steel interior with illuminated LED light columns

Fresh and Flavorful

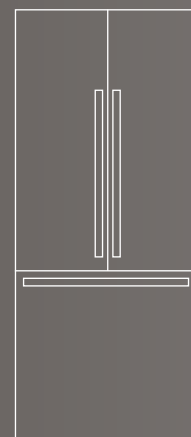
- PreciseCooling technology minimizes temperature fluctuation
- FreshZone™ Drawer with customizable temperatures for flexible food storage
- Two evaporators and compressor for ideal food preservation



Interior Water Dispenser



Spill-proof, Low-profile Glass Shelves



Silver
Stainless
Steel

Available in Panel-ready or Silver Stainless Steel. Panels, handles and kick plate sold separately.

36"



Cooking

Savor the Moment

Transform ingredients into signature dishes and meals into memories. The Modernist Collection cooking line blends innovative technology and thoughtful design for extraordinary performance. All ovens feature Real Steam™ or Steam Assist for a healthy, versatile cooking solution that preserves moisture and nutrients in food. Four Part Dual Pure Convection ovens deliver superior heat and airflow distribution for faster and more even baking, roasting, and broiling. Cooktops offer dual-stack burners and induction Flex Zones™ for maximum flexibility. Smart technology like built-in Wi-Fi and the Dacor iQ Kitchen App make multi-tasking easier. Ambient exterior lighting and beautifully functional interior lights set the mood while the VirtualFlame™ and LCD touch panels surprise and delight. Powerful, smart, and alluring, our cooking products make every meal a masterpiece.



6:35 PM

Bake
Thermal heat baking

350°F

START

OFF

TIMER

SETTINGS

Cook Time

Delay Start

OFF

LOCK

(over)

LIFT PANE

Right Light

OFF

ON

Left Light

OFF

Pro Dual-Fuel Steam Ranges



Illumina™ knobs and ambient lighting



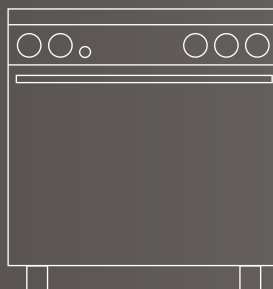
7" Tilt-up LCD Touchscreen
Control Panel



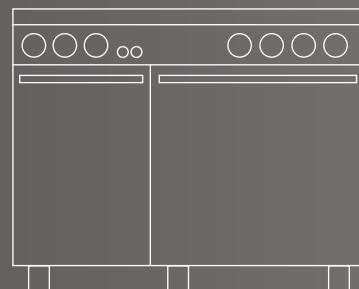
Real Steam™ Oven

Get the best of both worlds in our Pro dual-fuel steam ranges. Real Steam™ offers a healthier, faster, and more versatile preparation combined with the power of convection. Complex menus are no match for the Four Part Dual Pure Convection oven where you can cook different types of food without odor transfer or uneven cool and hot zones. Dual-stack sealed burners are powerful enough to sear meat yet precise enough to melt chocolate. Warm and sophisticated ambient lighting complements our Illumina™ Knobs while BrightVue™ interior lighting gives everyone a peek into cooking progress. SoftShut™ Doors and Glide Racks keep things running smoothly, and built-in Wi-Fi gives you complete control even when you're away from the kitchen.

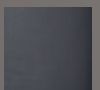
- Real Steam™ available in 48" Pro Range (small oven)
- Steam Assist in 36" Pro Range oven
- Four Part Dual Pure Convection
- Ambient lights and Illumina™ Knobs
- BrightVue™ interior lighting combines LED and halogen for clear viewing
- Powerful 22k BTU burners and integrated electric griddle
- Wi-Fi Smart iQ Control with App
- 7" LCD touchscreen control panel



36"



48"



Graphite
Stainless
Steel



Silver
Stainless
Steel



Combination Speed Oven



Upper Microwave Convection Oven

Convenience and sleek style help make the most of your kitchen space with the combination oven. We've combined microwave convection, pure convection, and steam cooking into one, so you can defrost, proof, broil, and reheat with convenience and ease. The upper microwave convection oven features advanced cooking modes to sear with speed-convection or healthy-fry foods. Make juicier food, flakier crusts, and more vibrant vegetables in the lower oven, which offers Steam Assist for steam roasting and baking. An LCD touch panel plus remote Wi-Fi monitoring and control via the Dacor iQ Kitchen app give you precise control over the entire unit. Flush installation means only your food will stand out.

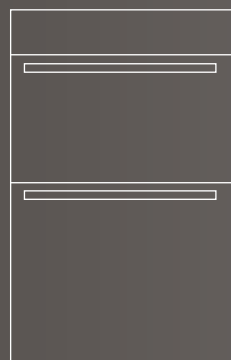


7" LCD Touch Control Panel
with Guided Cooking

- Convection Microwave Oven (upper)
- Four Part Dual Pure Convection Oven with Steam Assist (lower)
- 7" LCD control panel with guided cooking
- Integrated Wi-Fi/iQ Control
- BrightVue™ interior lighting combines LED and halogen for clear viewing (lower)
- RadiantVue™ combines metal mesh and LED interior light (upper)
- Glide Racks



Four Part Dual Pure Convection
Lower Oven with Steam Assist



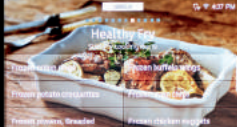
Graphite
Stainless
Steel



Silver
Stainless
Steel

30"

MICROWAVE
PAUSE / OFF
TIMER
SETTINGS
B134613



LOWER
OFF
LIGHT
OPEN/CLOSE
RESERVOIR



dacor



Double & Single Convection Wall Ovens



Water Reservoir holds up to 22 ounces



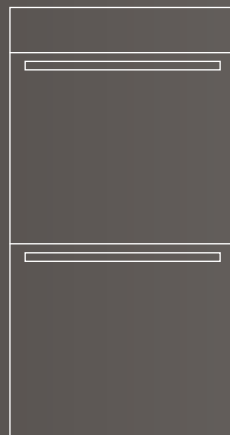
Four Part Dual Pure Convection for superior results



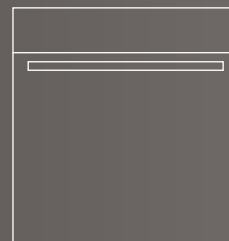
Steam Assist brings benefits of moisture to your cooking

Our convection wall ovens in single and double configurations blend Steam Assist and Four Part Dual Pure Convection for powerfully precise cooking and baking. Steam roast and steam bake modes use the benefits of moisture to help turn out healthy, flavorful dishes, from colorful, nutritious vegetables, to flaky pastry, to roast turkey. Interior BrightVue™ lighting and the temperature probe help you pinpoint doneness, while the LCD touch panel and iQ Control give you total command. The Modernist Collection wall ovens ensure every meal is worthy of applause.

- Four Part Dual Pure Convection Oven
- Steam Assist
- Large capacity of 4.8 cubic feet in each oven
- 7" LCD control panel with guided cooking
- Integrated Wi-Fi/iQ Control
- BrightVue™ interior lighting combines LED and halogen for clear viewing
- SoftShut™ Doors and Glide Racks
- Flush installation



30"



30"



Graphite
Stainless
Steel



Silver
Stainless
Steel



dacor



Pro Rangetops

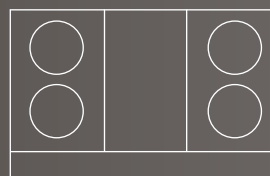
Our pro rangetops, available in 36" or 48", combine beauty and function to help you create unforgettable meals. Each features an electric griddle and high-powered dual-stack sealed burners with a range of 22K BTU down to precision simmering and melting at low heat. We're proud to be the first to offer a cooking surface coated in a premium Diamond-Like-Carbon finish that is highly durable, heat-resistant, and easy to clean. Not only is this finish functional, it beautifully reflects light to create warmth alongside our Illumina™ Knobs and ambient lighting. With integrated Wi-Fi for remote monitoring and Bluetooth®-enabled auto connectivity to the hood, you're in control of the kitchen, even while entertaining.

- Four (36") or six (48") dual-stack sealed brass burners
- Electric griddle
- Dual brass burner with range from Simmer to 22k BTU
- Illumina Knobs and ambient lighting
- Integrated Wi-Fi/iQ Control
- Auto-connect to hood

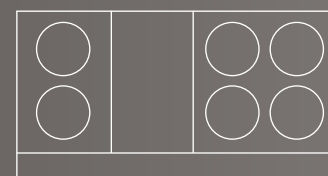


Graphite
Stainless
Steel

Silver
Stainless
Steel



36"



48"



Gas Cooktops

Style meets substance in our beautifully functional gas cooktops. Our 30" and 36" gas cooktops feature a central 18.5K BTU dual brass burner and four or five sealed burners, respectively. Plus, all burners automatically reignite if accidentally extinguished from gusts, water, or vibrations. Alluring Illumina™ Knobs bring sophistication, as does the elegant Diamond-Like-Carbon coating finish that stands up to intense heat, cleans up easily, and reflects light evenly with no glare. Integrated Wi-Fi and iQ control with Bluetooth® connectivity to the hood make this one smart cooktop.

- 18.5K BTU dual brass burner
- Sealed cooktop burners
- Dishwasher-safe illuminated knobs
- Integrated Wi-Fi/iQ Control
- Auto-connect to hood



30"



36"



Induction Cooktops

Our induction cooktops in 30" and 36" sizes are guaranteed to stop the show. The VirtualFlame™ and LCD touch control panel with guided cooking are beautifully functional touches for dazzling control. 4800-watt power coils deliver faster heating and multiple Flex Zones™ offer precision across the entire surface, accommodating pots and pans of various sizes. With the residual heat warning and child safety lock, your guests and little ones can join in the fun without holding back.

- Up to nine cooking zones (36")
- Up to six cooking zones (30")
- VirtualFlame™
- 7" LCD touchscreen control panel with guided cooking
- Child Lock and Residual Heat Indicator safety features



30"



36"



Microwave Drawer

Signature dishes come out perfectly every time with our microwave drawer. Featuring pre-set modes for proofing, slow baking, and warming, it monitors interior air humidity and automatically adjusts cooking times and power levels. Minimalist on the outside and powerful on the inside, our microwave-in-a-drawer, with one-touch push-to-open door and auto-timed shut-off, is the perfect kitchen assistant.

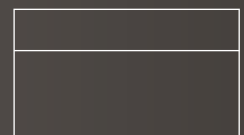
- One-touch push-to-open door
- Premium glass touch panel
- 1.2 cubic feet capacity
- Smart Moisture Sensor determines and monitors interior air humidity and automatically adjusts cooking times



Graphite
Stainless
Steel



Silver
Stainless
Steel



30"



Warming Drawer

Our beautifully designed warming drawer keeps any culinary masterpiece at its best. With a capacity of two cubic feet and temperature settings that range from 85° - 220°, our warming drawer easily accommodates multiple dishes. Convenient one-touch push-to-open doors and auto-timed shut-off leave you free to relax with your guests until ready to serve.

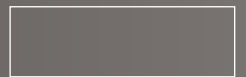
-
- One-touch push-to-open door
 - Temperature range from 85° - 220°
 - Auto-timed shut-off
 - 1.6 cubic feet capacity
 - Flush installation



Graphite
Stainless
Steel



Silver
Stainless
Steel

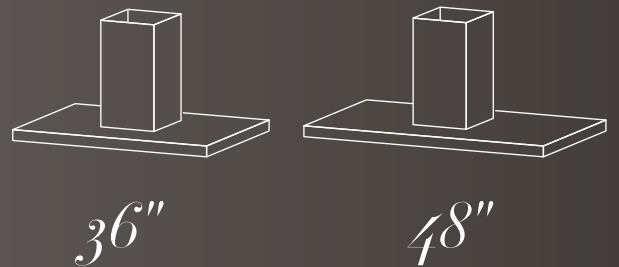


30"

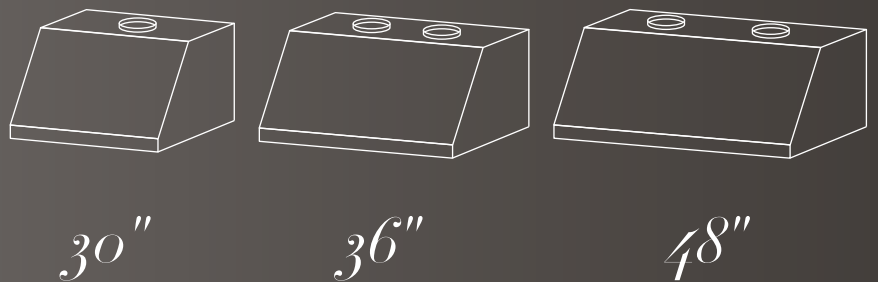


Ventilation

The Modernist Collection hoods add visual drama to any kitchen. Available in wall-mounted canopy and island styles, our hoods feature three fan speeds and up to 1,200 CFM. Integrated smart functionality connects hoods to our cooktops and ranges via Bluetooth® and automatically activates them when ventilation is needed. A sleek, understated full-touch display is within easy reach and LED lighting illuminates your workspace and welcomes guests.



- Three fan speeds and up to 1,200 CFM
- Full-touch display
- LED lighting
- Auto-connect to rangetops and cooktops





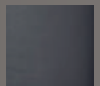
Dishwasher

After dinner, relax with your guests while our Modernist Collection dishwasher does the work. Our 24" dishwasher has three racks to accommodate up to 14 place settings. WaterWall™ Technology evenly distributes a high-pressure wall of water from corner to corner for crystal clear dishes. Our Zone Booster™ technology, featuring five nozzles, offers the industry's widest targeted cleaning zone. With quiet 42dB operation, you'll only hear the laughter and good conversation. At the end of the cycle, the AutoRelease™ feature opens the door to release steam while the fan manages moisture. Clean up beautifully with our Modernist Collection dishwasher.



Powerful, Versatile and Quiet Performance

- AutoRelease Dry
- 5-Nozzle Zone Booster for targeted and effective cleaning
- WaterWall Technology
- Quiet 42dB operation
- Elegant hidden control panel
- Three Rack System



Graphite
Stainless
Steel



Silver
Stainless
Steel

24"

Specifications

Column Refrigeration and Freezer /
French Door Refrigerator with Bottom Freezer.....pages 28 - 29

Pro Dual-Fuel Steam Range.....pages 30 - 31

Wall Oven.....pages 32 - 33

Rangetop / Gas Cooktop.....page 34

Induction Cooktop.....page 35

Ventilation.....page 36

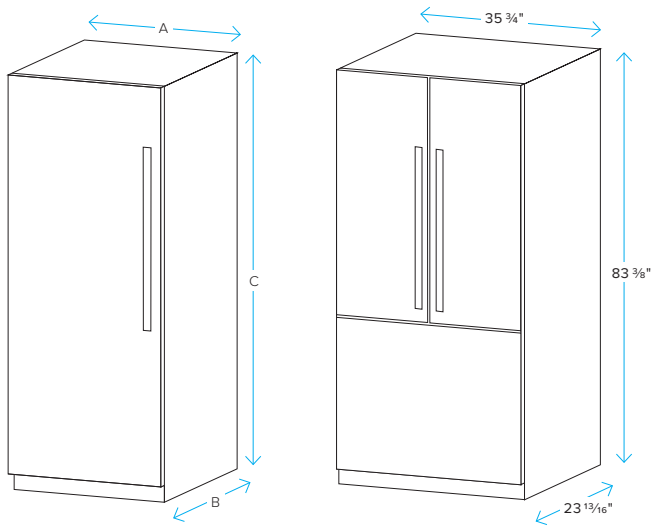
Warming Drawer / Microwave.....page 37

Dishwasher.....page 38

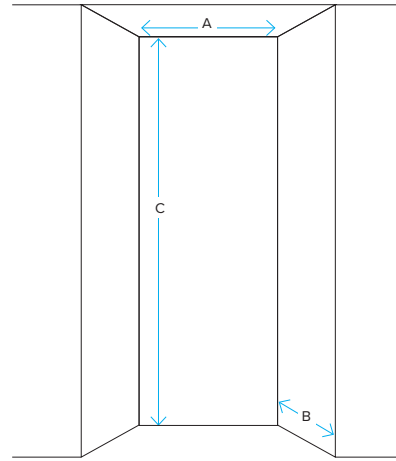
Column Refrigeration and Freezer Specifications

French Door Refrigerator with Bottom Freezer Specifications

Dimensions



Cutout Dimensions

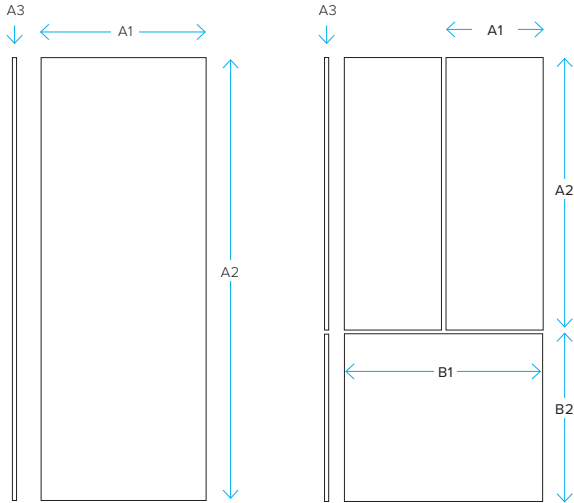


APPLIANCE DIMENSIONS	18"	24"	30"	36"	FRENCH DOOR
A (width)	17 5/8"	23 3/8"	29 5/8"	35 3/4"	35 3/4"
B (depth)	23 13/16"	23 13/16"	23 13/16"	23 13/16"	23 13/16"
C (height)	83 3/8"	83 3/8"	83 3/8"	83 3/8"	83 3/8"

INSTALLATION CUTOUT DIMENSIONS*	18"	24"	30"	36"	FRENCH DOOR
A (width)	18"	24"	30"	36"	36"
B (depth)	25"	25"	25"	25"	25"
C (height)	84"	84"	84"	84"	84"

	REFRIGERATORS			FREEZERS				FRENCH DOOR
	24"	30"	36"	18"	24"	30"	36"	36"
MODEL NUMBER	DRR24980LAP/RAP	DRR30980LAP/RAP	DRR36980LAP/RAP	DRZ18980LAP/RAP	DRZ24980LAP/RAP	DRZ30980LAP/RAP	DRZ36980LAP/RAP	DRF367500AP
DOOR SWING	Left or Right	Left or Right	Left or Right	Left or Right	Left or Right	Left or Right	Left or Right	
DIMENSIONS	24"	30"	36"	18"	24"	30"	36"	36"
Appliance Dimensions (H x W x D)	83 3/8" x 23 3/8" x 23 13/16"	83 3/8" x 29 5/8" x 23 13/16"	83 3/8" x 35 3/4" x 23 13/16"	83 3/8" x 17 5/8" x 23 13/16"	83 3/8" x 23 3/8" x 23 13/16"	83 3/8" x 29 5/8" x 23 13/16"	83 3/8" x 35 3/4" x 23 13/16"	83 3/8" x 35 3/4" x 23 13/16"
Required Cutout Size (H x W x D)*	84" x 24" x 25"	84" x 30" x 25"	84" x 36" x 25"	84" x 18" x 25"	84" x 24" x 25"	84" x 30" x 25"	84" x 36" x 25"	84" x 36" x 25"
GENERAL PROPERTIES	24"	30"	36"	18"	24"	30"	36"	36"
Panel Ready	Yes	Yes	Yes	Yes	Yes	Yes	Yes	Yes
Full-height door and hidden venting grille	Yes	Yes	Yes	Yes	Yes	Yes	Yes	N/A
Push-to-Open™ Door Assist	Yes	Yes	Yes	Yes	Yes	Yes	Yes	N
Internal Water Dispenser	Yes	Yes	Yes	N/A	N/A	N/A	N/A	Yes
iQ RemoteView™ Camera	2	2	2	N/A	N/A	N/A	N/A	N
Deodorizing Filter	Yes	Yes	Yes	N/A	N/A	N/A	N/A	Yes
3DLighting™	Yes	Yes	Yes	N/A	Yes	Yes	Yes	Yes
SteelCool™ Stainless Steel Interior	Yes	Yes	Yes	Yes	Yes	Yes	Yes	Yes
Full Width Shelves	4	4	4	3	3	3	3	2
Adjustable Refrigerator Shelves	N/A	N/A	N/A	N/A	N/A	N/A	N/A	2
Tempered, Metal Trim, Spill-proof Shelves	Yes	Yes	Yes	Yes	Yes	Yes	Yes	Tempered Glass/ Metal Trim
Full Extension Drawers (at 90° Open-door Angle)	Yes	Yes	Yes	Yes	Yes	Yes	Yes	Yes
FreshZone™ Drawer - Cheese (37°F)/Cold Drinks (33°F)/Meat or Fish (29°F)	Yes	Yes	Yes	N/A	N/A	N/A	N/A	Yes
Dual Icemaker for standard and Cocktail Ice™	N/A	N/A	N/A	N/A	Yes	Yes	Yes	Yes
Standard Icemaker	N/A	N/A	N/A	Yes	N/A	N/A	N/A	N/A
Crispers	N/A	N/A	N/A	N/A	N/A	N/A	N/A	2
Hidden Box w/ Flip-up Cover	N/A	N/A	N/A	N/A	1	1	1	No
Freezer Drawer	N/A	N/A	N/A	2	2	2	2	2
Drawers	2	2	2	2	2	2	2	N/A
Door Bins	4	4	4	4	4	4	4	6
Door Open Alarm	Yes	Yes	Yes	Yes	Yes	Yes	Yes	Yes
Sabbath Mode	Yes	Yes	Yes	Yes	Yes	Yes	Yes	Yes
CAPACITY	24"	30"	36"	18"	24"	30"	36"	36"
Refrigerator Gross Capacity (cu. ft.)	13.7	17.8	21.6	9.5	13.6	17.6	21.4	14.5 Refrigerator / 6.8 Freezer

Custom Panel Dimensions



CUSTOM PANEL DIMENSIONS	18"	24"	30"	36"	FRENCH DOOR
A1 (width)	17 3/4"	23 3/4"	29 3/4"	35 3/4"	17 3/4"
A2 (height)	79 7/8"	79 7/8"	79 7/8"	79 7/8"	49 3/16"
A3 (depth)	3/4"	3/4"	3/4"	3/4"	3/4"
B1 (width)	N/A	N/A	N/A	N/A	35 3/4"
B2 (height)	N/A	N/A	N/A	N/A	30 9/16"
Max Weight	132.0 lbs.	110 lbs.	88.0 lbs.	66 lbs.	Fridge: 59.5 lbs. Freezer: 30.9 lbs.

PERFORMANCE	REFRIGERATORS			FREEZERS				FRENCH DOOR
	24"	30"	36"	18"	24"	30"	36"	36"
Dedicated Evaporator & Compressor System	Yes	Yes	Yes	Yes	Yes	Yes	Yes	N/A
2 Evaporators, 1 Compressor	N/A	N/A	N/A	N/A	N/A	N/A	N/A	Yes
Power Cool	Yes	Yes	Yes	N/A	N/A	N/A	N/A	Yes
Power Freeze	N/A	N/A	N/A	Yes	Yes	Yes	Yes	Yes
Frost-free Defrost Process	N/A	N/A	N/A	Yes	Yes	Yes	Yes	Yes
Precise Cooling minimized temperature fluctuation	Yes	Yes	Yes	Yes	Yes	Yes	Yes	Yes
TEMPERATURE RANGE	24"	30"	36"	18"	24"	30"	36"	36"
Refrigerator	34°F (1°C) to 44°F (7°C)	34°F (1°C) to 44°F (7°C)	34°F (1°C) to 44°F (7°C)	N/A	N/A	N/A	N/A	34°F (1°C) to 44°F (7°C)
Refrigerator - Power Cool	34°F (1°C)	34°F (1°C)	34°F (1°C)	N/A	N/A	N/A	N/A	34°F (1°C)
Fresh Zone™ Drawer	37°F (3°C) / 33°F (1°C) / 29°F (-1°C)	37°F (3°C) / 33°F (1°C) / 29°F (-1°C)	37°F (3°C) / 33°F (1°C) / 29°F (-1°C)	N/A	N/A	N/A	N/A	37°F (3°C) / 33°F (1°C) / 29°F (-1°C)
Freezer	N/A	N/A	N/A	5°F (-15°C) to -8°F (-23°C)	5°F (-15°C) to -8°F (-23°C)	5°F (-15°C) to -8°F (-23°C)	5°F (-15°C) to -8°F (-23°C)	5°F (-15°C) to -8°F (-23°C)
Freezer - Power Freeze	N/A	N/A	N/A	-8°F (-23°C)	-8°F (-23°C)	-8°F (-23°C)	-8°F (-23°C)	-8°F (-23°C)
TECHNICAL DETAILS	24"	30"	36"	18"	24"	30"	36"	36"
Current (A)	3	3	3	3	3	6	3	6
Volts (V)	115	115	115	115	115	115	115	115
Frequency (Hz)	60	60	60	60	60	60	60	60
Power Cord Length (in.)	78.34"	78.34"	78.34"	78.34"	78.34"	78.34"	78.34"	78.34"
Plug Type	120V, 3 Prong	120V, 3 Prong	120V, 3 Prong	120V, 3 Prong	120V, 3 Prong	120V, 3 Prong	120V, 3 Prong	120V, 3 Prong
EFFICIENCY	24"	30"	36"	18"	24"	30"	36"	36"
ENERGY STAR Qualified	Yes	Yes	Yes	Yes	Yes	Yes	Yes	Yes
Annual Energy Consumption	260 KWh/year	280 KWh/year	290 KWh/year	465 KWh/year	500 KWh/year	550 KWh/year	580 KWh/year	549 KWh/year
AVAILABLE ACCESSORIES								

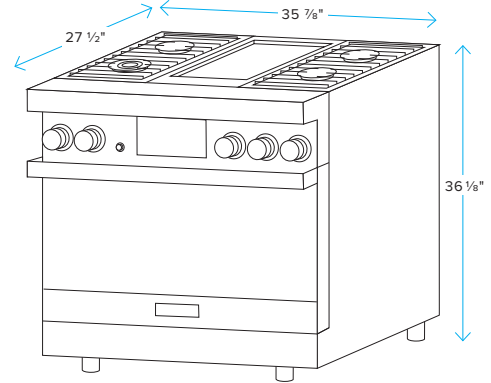
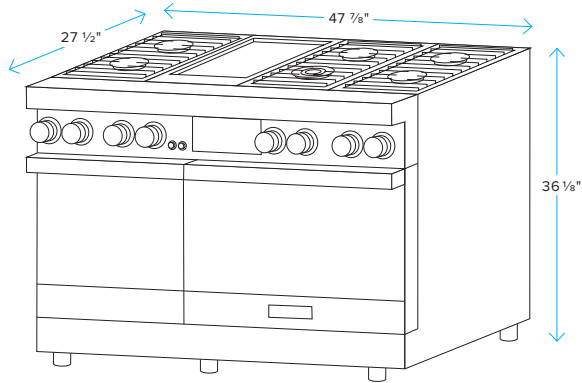
- Silver Stainless Steel:
- 18", 24", 30", 36" Silver Stainless Steel Door Panels
 - Silver Stainless Steel Modernist Handle
 - 18", 24", 30", 36" Silver Stainless Steel Kick Plates

- Graphite Stainless Steel:
- 18", 24", 30", 36" Graphite Stainless Steel Door Panels
 - Graphite Stainless Steel Modernist Handle
 - 18", 24", 30", 36" Graphite Stainless Steel Kick Plates

- Pairing Kit for Side-by-Side Installations
Replacement Water Filter and Deodorizing Filter

Pro Dual-Fuel Steam Range Specifications

Dimensions

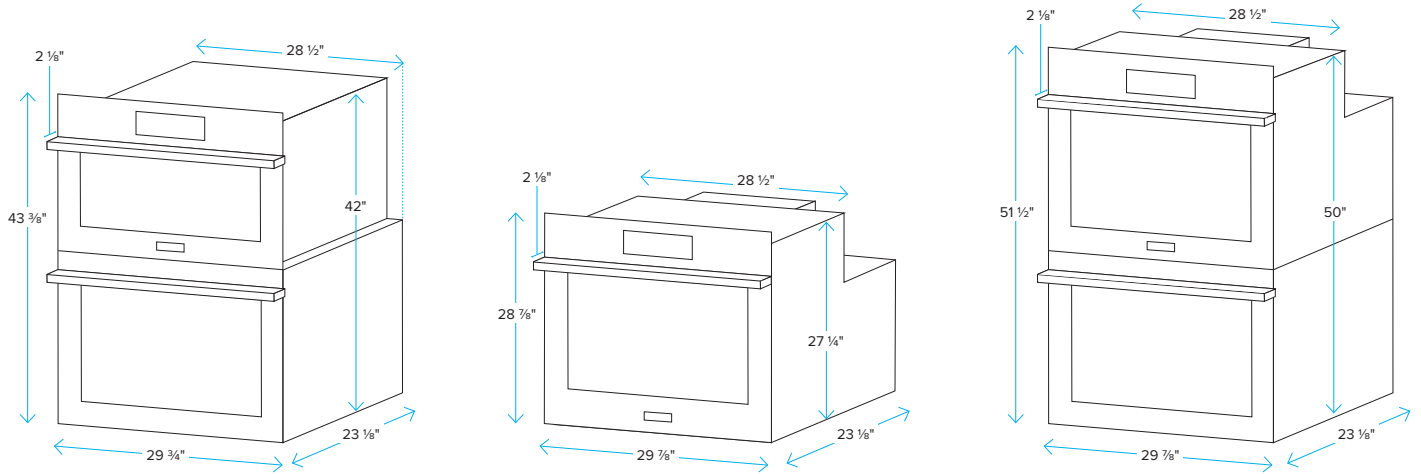


	48"		36"
Model Code	DOP48M96D		DOP36M94D
Color	Silver or Graphite Stainless Steel		Silver or Graphite Stainless Steel
Appliance Dimensions (H x W x D)	36 1/8" x 47 7/8" x 27 1/2"		36 1/8" x 35 7/8" x 27 1/2"
Required Cutout Dimensions (H x W x D)	36 3/16" - 37 1/2" x 48" (min.) x 24" (min.)		36 3/16" - 37 1/2" x 36" (min.) x 24" (min.)
OVEN FEATURES	SMALL OVEN	LARGE OVEN	36"
Capacity	1.8 cu. ft.	4.8 cu. ft.	4.8 cu. ft.
Rack Positions	4	6	6
Convection Type	Single	Dual	Dual
Lighting	BrightVue™ - LED and Halogen	BrightVue™ - LED and Halogen	BrightVue™ - LED and Halogen
Door	SoftShut™	SoftShut™	SoftShut™
Cleaning	GreenClean™	Self Clean, GreenClean™	Self Clean, GreenClean™
OVEN PERFORMANCE	SMALL OVEN	LARGE OVEN	36"
Bake (Hidden)	1,000W	3,000W - 8 pass	3,000W - 8 pass
Broil	2,400W	4,400W - 10 Pass	4,400W - 10 Pass
Convection Element	2,000W	1,300W + 1,300W	1,300W
Steam Heater	2,000W	N/A	500W
OVEN COOKING MODES	SMALL OVEN	LARGE OVEN	36"
Bake	175°F (80°C) - 550°F (285°C)	175°F (80°C) - 550°F (285°C)	175°F (80°C) - 550°F (285°C)
Broil	Low - High	Low - High	Low - High
Convection Bake	175°F (80°C) - 550°F (285°C)	175°F (80°C) - 550°F (285°C)	175°F (80°C) - 550°F (285°C)
Convection Roast	175°F (80°C) - 550°F (285°C)	175°F (80°C) - 550°F (285°C)	175°F (80°C) - 550°F (285°C)
Convection Broil	175°F (80°C) - 550°F (285°C)	175°F (80°C) - 550°F (285°C)	175°F (80°C) - 550°F (285°C)
Four Part Dual Pure Convection	175°F (80°C) - 550°F (285°C)	175°F (80°C) - 550°F (285°C)	175°F (80°C) - 550°F (285°C)
Steam Bake	230°F (110°C) - 550°F (285°C)	N/A	230°F (110°C) - 550°F (285°C)
Steam Roast	230°F (110°C) - 550°F (285°C)	N/A	230°F (110°C) - 550°F (285°C)
Pure Convection Sear	N/A	Cooking Progress 175°F (80°C) - 475°F (245°C) Preheating, Searing 250°F (120°C) - 550°F (285°C)	Cooking Progress 175°F (80°C) - 475°F (245°C) Preheating, Searing 250°F (120°C) - 550°F (285°C)
Steam Cooking	Real Steam™	N/A	Steam Assist
ADDITIONAL MODES	SMALL OVEN	LARGE OVEN	36"
Keep Warm (3HR)	Yes	Yes	Yes
Low Proof	85°F (30°C) - Steam	95°F (35°C)	95°F (35°C)
Proof	95°F (35°C) - Steam	105°F (40°C)	105°F (40°C)
Stone Mode	N/A	175°F (80°C) - 550°F (285°C)	175°F (80°C) - 550°F (285°C)
Dehydrate	N/A	105°F (40°C) - 225°F (105°C)	105°F (40°C) - 225°F (105°C)
Gourmet Cook	N/A	Yes	Yes
Sabbath Mode	Yes	Yes	Yes
Fine Steam	Yes	NA	N/A
Guided Steam Cook (Auto Steam Cook)	Yes	NA	N/A
OPTIONAL MODES	SMALL OVEN	LARGE OVEN	36"
Temperature Probe	Yes	Yes	Yes
InstantHeat™ (No Preheat)	N/A	Conv.Roast / Conv.Bake	Conv.Roast / Conv.Bake
Steam Proof (Add Steam Proof)	Yes	N/A	N/A

	48"		36"
STEAM PROPERTIES	SMALL OVEN	LARGE OVEN	36"
Type	Real Steam™	N/A	Steam Assist
Water Tank Size	1.5L	N/A	0.65L
Water Tank Location	Top Front	N/A	Cavity front
BURNER PERFORMANCE	48"		36"
Total Number of Cooktop Burners	6 + Electric Griddle		4 + Electric Griddle
Left Front (BTU)	18,000 Dual (Simmer)		18,000 Dual (Simmer)
Left Rear (BTU)	16,000 Stack Dual (Simmer)		16,000 Dual (Simmer)
Center Front (BTU)	22,000 Dual (Simmer)		N/A
Center Rear (BTU)	9,000 Stack Dual (Simmer)		N/A
Right Front (BTU)	16,000 Stack Dual (Simmer)		22,000 Dual (Simmer)
Right Rear (BTU)	16,000 Stack Dual (Simmer)		9,000 Stack Dual (Simmer)
Griddle	1,400W		1,400W
Sealed Burners	Yes		Yes
Perma-Flame™ (Auto re-ignition)	Yes		Yes
Type of Grate	Continuous Cast Iron		Continuous Cast Iron
CONTROL FEATURES	48"		36"
7" LCD Control Panel	Yes		Yes
Control Method	7" Pop-up LCD		7" Pop-up LCD
Wi-Fi	Yes		Yes
Bluetooth® (Hood Connection)	Yes		Yes
Illumina™ Burner Knobs	Yes		Yes
Ambient Lighting	Yes		Yes
Clock	(12HR / 24HR)		(12HR / 24HR)
Delay Start	Yes		Yes
Kitchen Timer	Yes		Yes
Sound On/Off (4 Level)	Yes		Yes
Manual Lighting On/Off	Yes		Yes
TECHNICAL DETAILS	48"		36"
AMP	50		50
Volts (V)	240 / 208		240 / 208
Frequency (Hz)	60		60
Energy Source	Gas and Electric		Gas and Electric
Gas Type	Natural Gas Natural Gas (High Altitude) Liquid Propane Liquid Propane (High Altitude)		Natural Gas Natural Gas (High Altitude) Liquid Propane Liquid Propane (High Altitude)
ACCESSORIES	SMALL OVEN	LARGE OVEN	36"
Glide Racks	N/A	2	2
Standard Rack	1	1	1
Temperature Probe	1	1	1
Steam Tray	2	N/A	N/A
Half Steam Tray	2	N/A	N/A
Brass Burner Caps	Yes		Yes
Black Burner Caps	Yes		Yes
Wok Ring	1		1
Cookie Sheets (Set of 3)	Optional		Optional

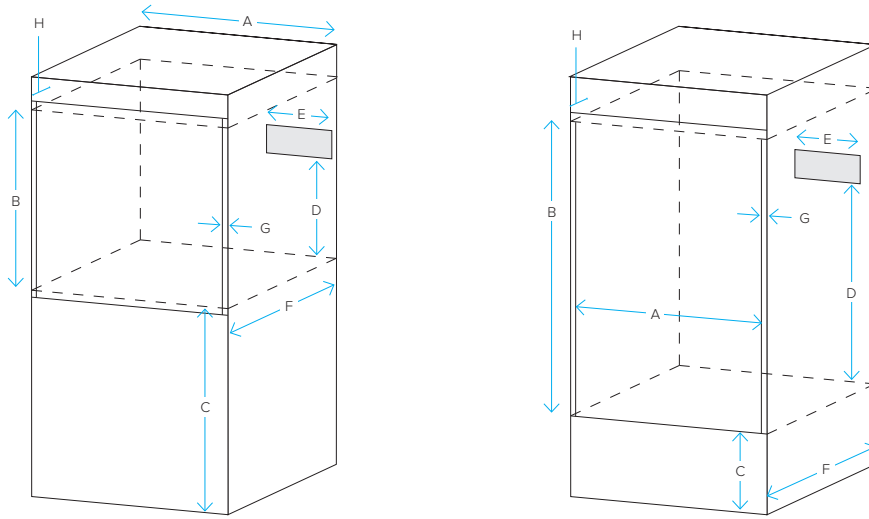
Wall Oven Specifications

Dimensions



		COMBINATION SPEED OVEN	SINGLE WALL OVEN	DOUBLE WALL OVEN	
Model Code		DOC30M977D	DOB30M977SS/SM	DOB30M977DS/DM	
Available Colors		Silver or Graphite Stainless Steel	Silver or Graphite Stainless Steel	Silver or Graphite Stainless Steel	
DIMENSIONS		COMBINATION SPEED OVEN	SINGLE WALL OVEN	DOUBLE WALL OVEN	
Appliance Dimensions (H x W x D)		43 3/8" x 29 3/4" x 23 1/8"	28 7/8" x 29 7/8" x 23 1/8"	51 1/2" x 29 7/8" x 23 1/8"	
Required Cutout Size (Standard Installation) (H x W x D)		42 1/4" x 28 1/2" x 23 1/2"	27 1/4" x 28 1/2" x 23 1/2"	50 1/4" x 28 1/2" x 23 1/2"	
Required Cutout Size (Flush Installation) (H x W x D)		43 1/16" x 30 1/4" x 24 7/8"	29" x 30 1/4" x 24 7/8"	51 7/8" x 30 1/4" x 24 7/8"	
FEATURES		COMBINATION SPEED OVEN	SINGLE WALL OVEN	UPPER	LOWER
Type		MWO Convection / Convection Steam Oven	Single	Double	
Capacity (cu.ft) (Microwave Oven)		1.9	N/A	N/A	N/A
Capacity (cu.ft) (Oven)		4.8	4.8	4.8	4.8
Soft Close Door (Oven)		SoftShut™	SoftShut™	SoftShut™	SoftShut™
Cleaning (Oven)		Self-Clean, GreenClean™	Self-Clean, GreenClean™	Self-Clean, GreenClean™	Self-Clean, GreenClean™
Installation		Flush	Flush	Flush	
Control Panel		7" LCD Control Panel	7" LCD Control Panel	7" LCD Control Panel	
Integrated Wi-Fi / iQ Control		Yes	Yes	Yes	Yes
Convection Type (Oven)		Dual Convection with Mesh Filter	Dual Convection with Mesh Filter	Dual Convection with Mesh Filter	Dual Convection with Mesh Filter
Lighting		RadiantVue™ (upper) RadiantVue™ (lower)	BrightVue™	VueLight™ - 2 Halogen Bulbs + Door LED	BrightVue™
CONTROL FEATURES		COMBINATION SPEED OVEN	SINGLE WALL OVEN	UPPER	LOWER
Microwave Convection Oven (Upper)	Clock	Yes (12HR/ 24HR)	N/A	N/A	N/A
	Kitchen Timer	Yes	N/A	N/A	N/A
	Lamp On/Off	Yes	N/A	N/A	N/A
	Child Lock	Yes	N/A	N/A	N/A
	Sound	Yes	N/A	N/A	N/A
	Wi-Fi	Yes (Monitor Only)			
Convection Oven	Wi-Fi On/Off	Yes	Yes	Yes	Yes
	Smart Control Key	N/A	Yes	Yes	Yes
	Language Options	Yes	Yes	Yes	Yes
	Clock	Yes (12HR/ 24HR)	(12HR/ 24HR)	(12HR/ 24HR)	(12HR/ 24HR)
	Delay Start	Yes (oven only)	Yes	Yes	Yes
	Kitchen Timer	Yes	Yes	Yes	Yes
	Sabbath Mode	Yes	Yes	Yes	Yes
	Child Lock	Yes	Yes	Yes	Yes
	Sound	Yes	Yes	Yes	Yes
	Energy Saving	Yes	Yes	Yes	Yes
	Demo Mode	Yes	Yes	Yes	Yes
Steam Assist	N/A	Yes	Yes	No	
COOKING MODES		COMBINATION SPEED OVEN	SINGLE WALL OVEN	UPPER	LOWER
Microwave Oven	Broil	Yes	N/A	N/A	N/A
		800W + 800W	N/A	N/A	N/A
	Convection Sear (Power Convection)	Yes (3230W)	N/A	N/A	N/A
		100°F (40°C) - 450°F (230°C)	N/A	N/A	N/A
	Speed Convection Sear	Yes	N/A	N/A	N/A
	Speed Broil	Yes	N/A	N/A	N/A
	Add 30 seconds	Yes	N/A	N/A	N/A
	Defrost	Yes	N/A	N/A	N/A
	Auto Cook (No Sensor)	Yes	N/A	N/A	N/A
	Sense Cook™ (Sensor Cook)	Yes	N/A	N/A	N/A
	Convection Sear Auto Cook	Yes	N/A	N/A	N/A
	Healthy Fry (Slim Fry)	Yes	N/A	N/A	N/A
Healthy Choice (Fit Choice)	Yes	N/A	N/A	N/A	

Cutout Dimensions



Gas or induction cooktops may be installed over this oven. See installation guides for cutout dimension information and installation instructions.

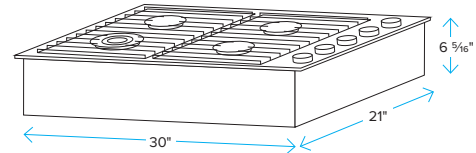
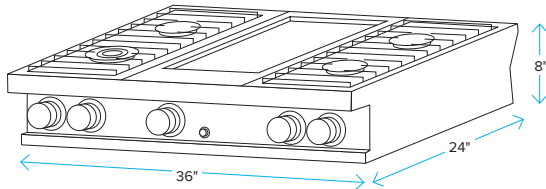
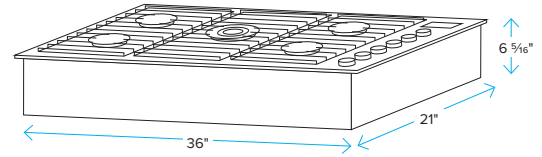
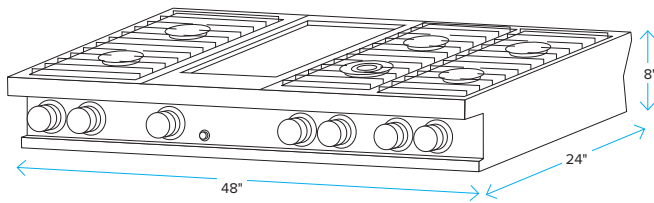
SINGLE OVEN CUT-OUT DIMENSIONS	30" SINGLE OVEN CUTOUT, STANDARD INSTALLATION	30" SINGLE OVEN CUTOUT, FLUSH INSTALLATION
A	28 1/2"	30 1/4"
B	27 1/4"	29"
C	Min. 31"	Min. 31"
D	Min. 22"	Min. 22"
E	Max. 9 1/2"	Max. 9 1/2"
F	23 1/2"	24 7/8"
G	N/A	7/8"
H	N/A	1 3/8"

CUTOUT DIMENSIONS	30" COMBINATION OVEN STANDARD INSTALLATION	30" COMBINATION OVEN FLUSH INSTALLATION	30" DOUBLE WALL OVEN STANDARD INSTALLATION	30" DOUBLE WALL OVEN FLUSH INSTALLATION
A	28 1/2"	30 1/4"	28 1/2"	30 1/4"
B	42 1/4"	43 1/16"	50 1/4"	51 7/8"
C	12"	12"	12"	12"
D	Min. 30 1/2"	Min. 30 1/2"	Min. 47"	Min. 47"
E	Max. 9 1/2"	Max. 9 1/2"	Max. 9 1/2"	Max. 9 1/2"
F	23 1/2"	24 7/8"	23 1/2"	24 7/8"
G	N/A	7/8"	N/A	7/8"
H	N/A	1 3/8"	N/A	1 3/8"

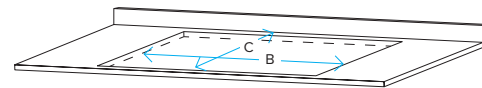
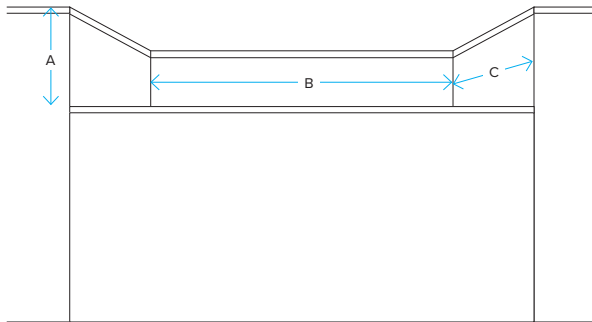
COOKING MODES		COMBINATION SPEED OVEN	SINGLE WALL OVEN	DOUBLE WALL OVEN - UPPER	DOUBLE WALL OVEN - LOWER	
Oven	Rack Positions	6	6	6	6	
	Bake	175°F (80°C) - 550°F (285°C)	175°F (80°C) - 550°F (285°C)	175°F (80°C) - 550°F (285°C)	175°F (80°C) - 550°F (285°C)	
	Broil	Low - High	Low - High	Low - High	Low - High	
	Convection Bake	175°F (80°C) - 550°F (285°C)	175°F (80°C) - 550°F (285°C)	175°F (80°C) - 550°F (285°C)	175°F (80°C) - 550°F (285°C)	
	Convection Roast	175°F (80°C) - 550°F (285°C)	175°F (80°C) - 550°F (285°C)	175°F (80°C) - 550°F (285°C)	175°F (80°C) - 550°F (285°C)	
	Convection Broil	175°F (80°C) - 550°F (285°C)	175°F (80°C) - 550°F (285°C)	175°F (80°C) - 550°F (285°C)	175°F (80°C) - 550°F (285°C)	
	Steam Bake	230°F (110°C) - 550°F (285°C)	230°F (110°C) - 550°F (285°C)	230°F (110°C) - 550°F (285°C)	N/A	
	Steam Roast	230°F (110°C) - 550°F (285°C)	230°F (110°C) - 550°F (285°C)	230°F (110°C) - 550°F (285°C)	N/A	
	Four Part Dual Pure Convection	175°F (80°C) - 550°F (285°C)	175°F (80°C) - 550°F (285°C)	175°F (80°C) - 550°F (285°C)	175°F (80°C) - 550°F (285°C)	
	Pure Convection Sear		Cooking Progress	Cooking Progress	Cooking Progress	
		175°F (80°C) - 550°F (285°C)	175°F (80°C) - 475°F (245°C)	175°F (80°C) - 475°F (245°C)	175°F (80°C) - 475°F (245°C)	
			Preheating, Searing	Preheating, Searing	Preheating, Searing	
		250°F (120°C) - 550°F (285°C)	250°F (120°C) - 550°F (285°C)	250°F (120°C) - 550°F (285°C)	250°F (120°C) - 550°F (285°C)	
	Additional Modes					
	Keep Warm	YES	YES	YES	YES	
	Proof 1	95°F (35°C)	95°F (35°C)	95°F (35°C)	95°F (35°C)	
	Proof 2	105°F (40°C)	105°F (40°C)	105°F (40°C)	105°F (40°C)	
	Pizza Stone Bake Mode	Yes	Yes	YES	YES	
Dehydrate	Yes	Yes	YES	YES		
Gourmet Cook	Yes	Yes				
Instant Heat™	Yes	Yes	YES (Conv.Bake / Conv.Roast)	YES (Conv.Bake / Conv.Roast)		
Temperature Probe	Yes	Yes	YES	YES		
ACCESSORIES		COMBINATION SPEED OVEN	SINGLE WALL OVEN	DOUBLE WALL OVEN - UPPER	DOUBLE WALL OVEN - LOWER	
Microwave Oven	Turn Table (OptiTray™)	1	N/A	N/A	N/A	
	Wire Rack (MWO)	2	N/A	N/A	N/A	
	EvenPlate™	1	N/A	N/A	N/A	
Oven	Standard Racks (Oven)	1	1	1	1	
	Glide Racks	2	2	2	2	
	Water Reservoir	1 (Lower)	1	1	N/A	
	Temperature Probe	1	1	1	N/A	
	Cookie Sheets (3)	Optional	Optional	Optional	Optional	
TECHNICAL DETAILS		COMBINATION SPEED OVEN	SINGLE WALL OVEN	DOUBLE WALL OVEN - UPPER	DOUBLE WALL OVEN - LOWER	
Microwave Oven	Power Level	950W				
Oven	AMP	40	30	50		
	Volts (V)	240/208	240/208	240/208		
	Frequency (Hz)	60	60	60		
	Energy Source	Electric	Electric	Electric		

Rangetop / Gas Cooktop Specifications

Dimensions



Cutout Dimensions

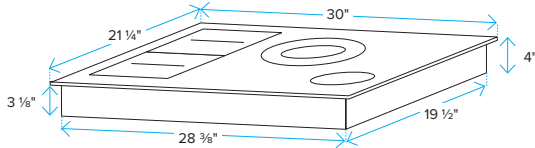
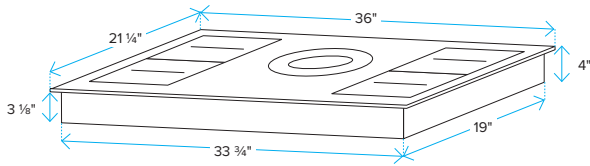


CUTOUT DIMENSIONS	48" RANGETOP	36" RANGETOP	36" GAS COOKTOP	30" GAS COOKTOP
A	7 3/4"	7 3/4"	N/A	N/A
B	47"	35"	34 1/16"	28 1/16"
C	24" (Min.)	24" (Min.)	19 3/4"	19 3/4"

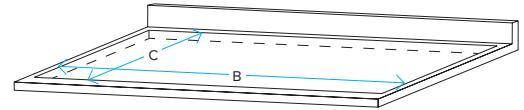
	48" RANGETOP	36" RANGETOP	36" GAS COOKTOP	30" GAS COOKTOP
Model	DTT48M976	DTT36M974	DTG36M955	DTG30M954
Color	Silver or Graphite Stainless Steel	Silver or Graphite Stainless Steel	Silver or Graphite Stainless Steel	Silver or Graphite Stainless Steel
DIMENSIONS	48" RANGETOP	36" RANGETOP	36" GAS COOKTOP	30" GAS COOKTOP
Cooktop Dimensions (H x W x D)	8" x 48" x 24"	8" x 36" x 24"	6 5/16" x 36" x 21"	6 5/16" x 30" x 21"
Required Cutout Dimensions (H x W x D)	7 3/4" x 47" x 24" (min.)	7 3/4" x 35" x 24" (min.)	- x 34 1/16" x 19 3/4"	- x 28 1/16" x 19 3/4"
BURNER PERFORMANCE	48" RANGETOP	36" RANGETOP	36" GAS COOKTOP	30" GAS COOKTOP
Total Number of Cooktop Burners	6	4	5 (Brass)	4 (Brass)
Left Front Burner (BTU)	18,000, Dual burner	18,000, Dual burner	9,500 Dual-stack, sealed	18,500, Dual burner
Left Rear Burner (BTU)	16,000, Dual-stack, sealed	16,000, Dual-stack, sealed	9,500 Dual-stack, sealed	13,000, Dual-stack, sealed
Center Burner Power (BTU)	N/A	N/A	18,500 Dual burner	N/A
Center Front (BTU)	22,000 Dual burner	N/A	N/A	N/A
Center Rear (BTU)	16,000 Dual-stack, sealed	N/A	N/A	N/A
Right Front Burner (BTU)	9,000 Dual-stack, sealed	22,000, Dual burner	13,000 Dual-stack, sealed	9,500 Dual-stack, sealed
Right Rear Burner (BTU)	16,000 Dual-stack, sealed	9,000, Dual-stack, sealed	13,000 Dual-stack, sealed	9,500 Dual-stack, sealed
GRIDDLE	48" RANGETOP	36" RANGETOP	36" GAS COOKTOP	30" GAS COOKTOP
Electric	1400W	1400W	N/A	N/A
CONTROL FEATURES	48" RANGETOP	36" RANGETOP	36" GAS COOKTOP	30" GAS COOKTOP
Illumina™ Knobs	Yes	Yes	N/A	N/A
LED Ambient Lighting	Yes	Yes	N/A	N/A
Wi-Fi Hood Connectivity	Yes	Yes	Yes	Yes
Automatic Reignition	Yes	Yes	Yes	Yes
INSTALLATION	48" RANGETOP	36" RANGETOP	36" GAS COOKTOP	30" GAS COOKTOP
Gas Type	Natural Gas/ Liquid Propane	Natural Gas/ Liquid Propane	Natural Gas	Natural Gas
Installation Type	Slide-in	Slide-in	Low-Profile (Flush)	Low-Profile (Flush)
AMP	15	15	15	15
Volts (V)	120	120	120	120
Frequency (Hz)	60	60	60	60
Energy Source	Gas	Gas	Gas	Gas
ACCESSORIES	48" RANGETOP	36" RANGETOP	36" GAS COOKTOP	30" GAS COOKTOP
Grates	Included	Included	Included	Included
Wok Ring	Included	Included	Included	Included
Brass Burner Caps	Included	Included	Included	Included
Black Burner Caps	Included	Included	Included	Included
LP Conversion Kit	N/A	N/A	Yes	Yes

Induction Cooktop Specifications

Dimensions



Cutout Dimensions

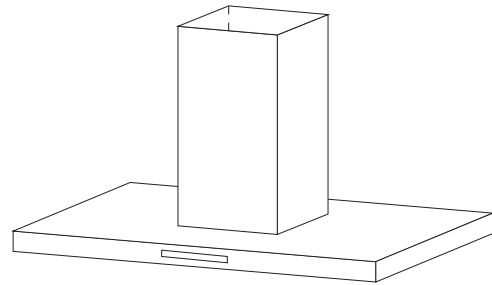
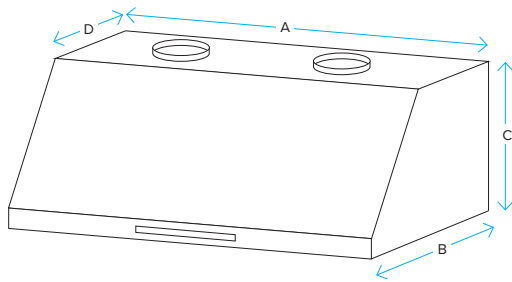


CUTOUT DIMENSIONS	36" INDUCTION COOKTOP	30" INDUCTION COOKTOP
A	N/A	N/A
B	33 3/8" - 34"	28 1/2" - 28 1/16"
C	19 1/8" - 19 3/16"	19 3/16" - 19 5/8"

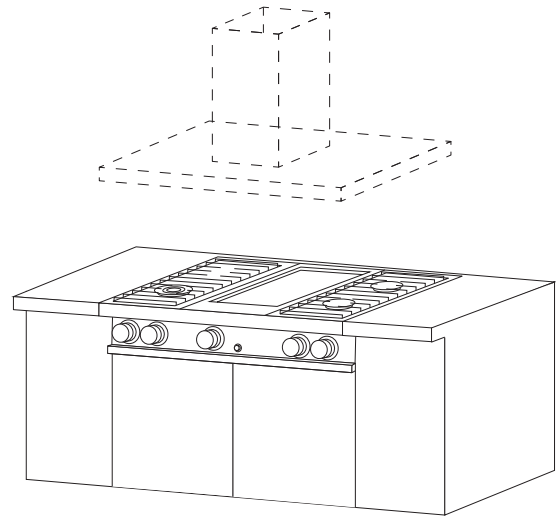
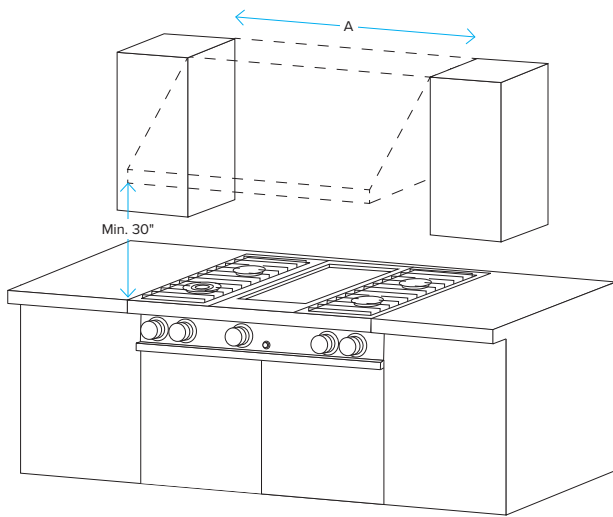
SIZE	36"	30"
Model Number	DTI36M977BB	DTI30M977BB
DIMENSIONS	36"	30"
Appliance Dimensions (H x W x D)	4" x 36" x 21 1/4"	4" x 30" x 21 1/4"
Required Cutout Dimensions (W x D)	33 3/8" - 34" x 19 1/8" - 19 3/16"	28 1/2" - 28 1/16" x 19 3/16" - 19 5/8"
Minimum Distance from Counter Front	1 1/2"	1 1/2"
Minimum Distance from Rear Wall	1 1/2"	1 1/2"
CONTROLS	36"	30"
7" LCD Control Panel with Guided Cooking	Yes	Yes
SURFACE	36"	30"
Color	Black Glass	Black Glass
FEATURES	36"	30"
Residual Heat Indicator	Yes	Yes
Child Lock	Yes	Yes
Kitchen Timer	Yes	Yes
Guided Cooking w/ Video	15	15
Pause	Yes	Yes
Power Level setting	9 + Power Boost	9 + Power Boost
Quick stop	Yes	Yes
Simmer/Melt	Yes	Yes
Power On/Off	Yes	Yes
ADDITIONAL FEATURES	36"	30"
Auto Pan Detection	Yes	Yes
Sound On/Off	Yes	Yes
Demo Mode	Yes	Yes
Bluetooth® Connect	Yes	Yes
Integrated Wi-Fi / iQ Control	Yes	Yes
Hood Auto Connectivity	Yes	Yes
VirtualFlame™	Yes	Yes
POWER	36"	30"
Total Number of Cooktop Zones	9	6
Flex Zone™ Left Front	1800W / 2600W(B)	1800W / 2600W(B)
Flex Zone Left Rear	1800W / 2600W(B)	1800W / 2600W(B)
Power Coil Center	3600W / 4800W(B)	3600W / 4800W(B)
Flex Zone Right Front	1800W / 2600W(B)	1400W / 1800W (B)
Flex Zone Right Rear	1800W / 2600W(B)	N/A
Zones with Booster	7	5
ELEMENT SIZE	36"	30"
Flex Zone Left	8 1/2"W x 15 5/25"D	7 19/20"W x 15 5/25" D
Flex Zone Right	8 1/2"W x 15 5/25"D	7 19/20"W x 15 5/25" D
Center Heating Element	7"/11" Power Coil™ (VF)	7"/11" Power Coil™ (VF)
Right Rear Heating Element	N/A	6" Power Coil™ (VF)
TECHNICAL DETAILS	36"	30"
Flex Zone Power	3300W / 3600W (B)	3300W / 3600W (B)
Watts (W)	10.8 kW / 9.5 kW	10.8 kW / 9.5 kW
Volts (V)	240V/280V	240V/280V
AMP	50	40
Frequency (Hz)	60	60
Energy Source	Electric	Electric

Ventilation Specifications

Dimensions



Cutout Dimensions



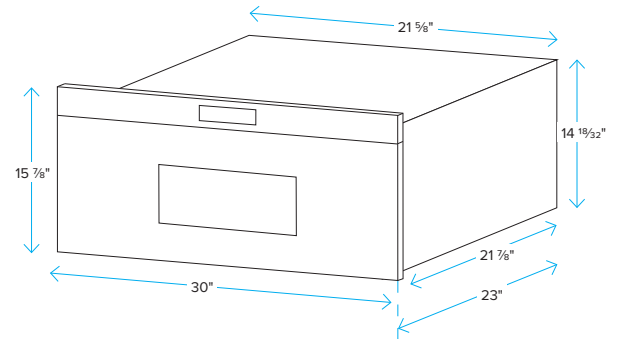
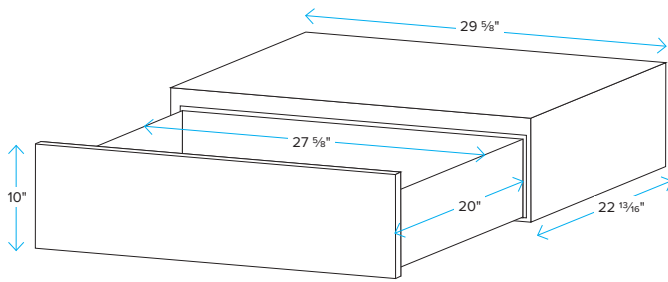
Island Hood dimensions coming soon

WALL HOOD PRODUCT DIMENSIONS	30"	36"	48"
A	29 7/8"	35 7/8"	47 7/8"
B	24"	24"	24"
C	18"	18"	18"
D	11 7/8"	11 7/8"	11 7/8"

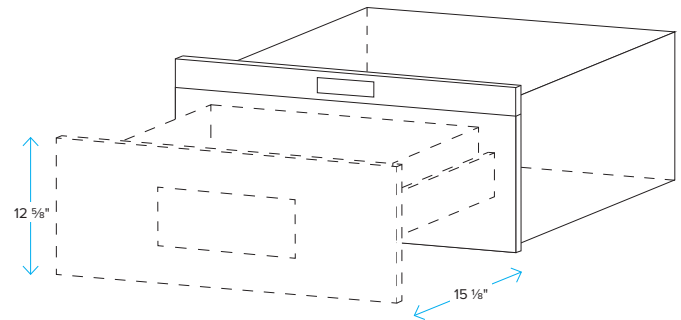
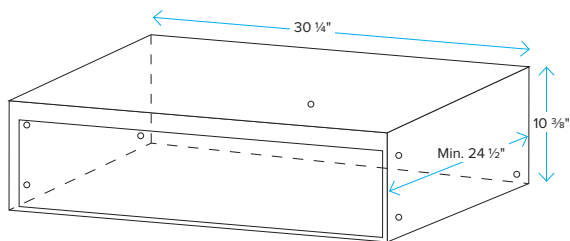
TYPE	WALL MOUNT PRO RANGE HOOD	ISLAND HOOD
Available Sizes	30" / 36" / 48"	36" / 48"
Color	Silver or Graphite Stainless Steel	Silver or Graphite Stainless Steel
Product Dimensions (H x W x D)	30" Wall Hood Dimensions: 18" x 29 7/8" x 24" 36" Wall Hood Dimensions: 18" x 35 7/8" x 24" 48" Wall Hood Dimensions: 18" x 47 7/8" x 24"	TBD
Model Number	DHD30M967 DHD36M987 DHD48M987	DHD36M967 DHD48M967
GENERAL FEATURES		
Venting Type	Exterior	Exterior / Recirculation
HOOD TYPE		
Fan CFM	699 CFM (30" / 36") / 1200 CFM (48")	600 CFM (36") / 1200 CFM (48")
Light Type	LED x 4 light intensities	LED x 4 light intensities
Number of Fan Speeds	4 (3-Step + Booster)	4 (3-Step + Booster)
Removable Filter	Yes	Yes w/ Aspirational Cover
Filter Type	Baffle Filter	Mesh Filter
CONTROL FEATURES		
Control Location	Front - centered	Front - centered
Control Type	Touch	Touch
Auto Sensing Control	Yes - Heat Sensor	Yes - Heat Sensor
Bluetooth®	Hood Connectivity	Hood Connectivity
Bluetooth® On/Off Button	Control Display	Control Display
Auto Connectivity Button	Control Display	Control Display
Mobile Monitoring	Yes	Yes
Mobile Fan Speed	Yes	Yes
Mobile Lighting On/Off	Yes	Yes
Mobile Power Control	Yes	Yes

Warming Drawer & Microwave Specifications

Dimensions



Cutout Dimensions

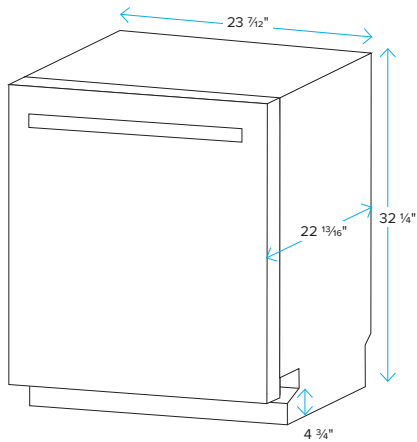


WARMING DRAWER	
Model Number	DWR30M977
Available Colors	Silver or Graphite Stainless Steel
DIMENSIONS	
Appliance Dimensions (H x W x D)	10" x 29 5/8" x 22 13/16"
Required Cutout Dimensions (H x W x D)	10 3/8" x 30 1/4" x 24 1/2" (Min.)
GENERAL FEATURES	
Capacity (cu. ft.)	1.6
One-Touch Push-to-Open Door	Yes
Telescopic Rail	Yes
Anti-Slip Mat	Yes
Automatic Shut-Off Timer	Yes
Half Racks	Yes
MODES	
Proof	85°F - 120°F
Low	121°F - 160°F
Medium	161°F - 190°F
High	191°F - 220°F
MENU	
Bread Proofing	Yes
Slow Cooking	Yes
Food Warming	Yes
Rapid Heat Up	Yes
CONTROL FEATURES	
Touch Control	Yes - Electric (LED Display)
Settings	1 Hr., 2 Hr., 3 Hrs., 4 Hrs., Set Time (Max 12 Hrs.)
TECHNICAL DETAILS	
Heat Element	500W
AMP	15
Volts (V)	120
Frequency (Hz)	60
Energy Source	Electric

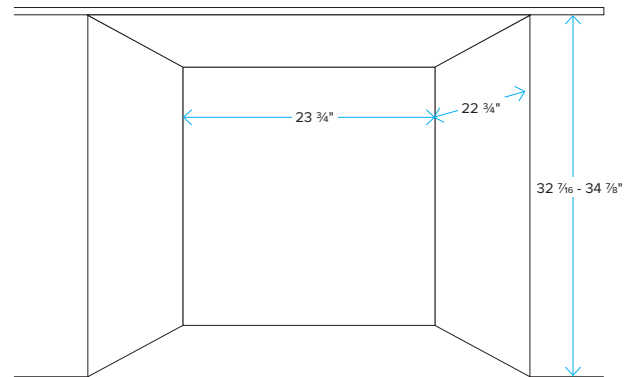
MICROWAVE IN-A-DRAWER	
Model	DMR30M977
Design	Silver or Graphite Stainless Steel
DIMENSIONS	
Appliance Dimensions (H x W x D) (in.)	15 5/8" x 22 1/8" x 23 1/2"
Required Cut-out Dimensions (H x W x D) (in.)	15 7/8" x 30" x 23"
GENERAL FEATURES	
Capacity	1.2 Cu. Ft.
Size	30"
Drawer	Open / Close Touch Control
Rail	Telescopic rail
Control Panel	Touch Control
Auto Start	Yes
Child Lock Feature	Yes
MODES	
Beverage	Yes
Defrost	Yes
Easy Minute	Yes
Keep Warm	Yes
Melt	Yes
Popcorn	Yes
Reheat	Yes
Sensor Cook	Yes
Soften	Yes
Warm	Yes
TECHNICAL SPECIFICATIONS	
Max power consumption	950W
AMP	15
Volts (V)	120
Frequency (Hz)	60

Dishwasher Specifications

Dimensions



Cutout Dimensions



MODEL NUMBER		DDW24M999US
Color		Silver or Graphite Stainless Steel
DIMENSIONS		
Appliance Dimensions (H x W x D)		32 1/4" x 23 7/12" x 22 13/16"
Appliance Dimensions with Legs Extended (H x W x D)		34 1/2" x 23 7/12" x 22 3/4"
Cutout Dimensions (H x W x D)		32 7/16 - 34 7/8" x 23 3/4" x 22 3/4"
DESIGN FEATURES		
Install Type		Built under
Control Type		Hidden touch
Washing Type		WaterWall™ 2.0
Integrated Wi-Fi/iQ Control		Yes
GENERAL FEATURES		
Tub Material		Stainless Steel
Leakage Sensor		Yes
Cancel & Drain Button		Yes
PERFORMANCE		
Capacity (Place Setting)		14
Energy Star		Yes
Annual Consumption (kWh/year)		239
Water Consumption (gallons/cycle)		3.2
Auto Release™ Dry		Yes
Noise Level (dBA)		42
Cycle time @ Normal (min)		114 - 150
PROGRAMS		
Auto		Yes
Normal		Yes
Heavy		Yes
Delicate		Yes
Express 60		Yes
Rinse Only		Yes
Self Clean		Yes
OPTIONS		
Half Load (Lower Rack)		Yes
Zone Booster (Left only)		Yes
Speed Booster		Yes
Hi-Temp Wash		Yes
Sanitize (NSF Certified)		Yes
Delay Start		Yes (1-24H)
Upper Rack	Basket Handle	Yes (Metal Plate)
	Foldable cup shelves	Yes (Wire)
	Adjustable Height	Yes (One-touch)
	Adjustable Tines (Number)	Yes (2)
Lower Rack	Basket Handle	Yes (Metal Plate)
	Fold Down Tines	Fully fold-down
	Max Dish loading	12"
Cutlery Basket	Cutlery Tray (3rd Rack)	Yes (3rd Rack)
	Cutlery Basket	Yes (Mini)
TECHNICAL DETAILS		
Electrical (Volts/Hz/Amps)		120/60/15
Heater Watts		1100 W
Circulation Motor		60~100 W
Drain Pump		30 W
Power Code		Yes



Contact Dacor

TOLL FREE: 800.793.0093
MAIN: 626.799.1000
customerservice@dacor.com
www.dacor.com

14425 Clark Avenue
City of Industry, CA 91745

Limited Warranty Information

Refrigerators and Freezers

Limited, entire appliance, parts and labor on any part of the refrigerator or freezer: 2 Year

Limited warranty for sealed refrigeration or freezer system; parts and labor: 3rd to 6th Year

Limited Warranty for sealed refrigeration or freezer system; parts only: 7th to 12th Year

Pro Dual-Fuel Steam Ranges

Limited, parts and labor: 2 Year

Wall Ovens

Limited, parts and labor: 2 Year

Pro Rangetops

Limited, parts and labor: 2 Year

Induction Cooktops

Limited, parts and labor: 2 Year

Gas Cooktops

Limited, parts and labor: 2 Year

Ventilation

Limited, parts and labor: 2 Year

Dishwasher

Limited, parts and labor: 2 Year

dacor