

MDD30PE/S/PH

FEATURES

Integrates into any kitchen

Matches E series ovens, coffee systems, convection steam oven

900 watts of power

Quick-start controls for popular items

Generous 1.6. cu. ft. capacity

Gourmet mode cooks automatically from preset recipes

"Keep Warm" mode

Rigorously tested in our U.S. manufacturing facilities for decades of use

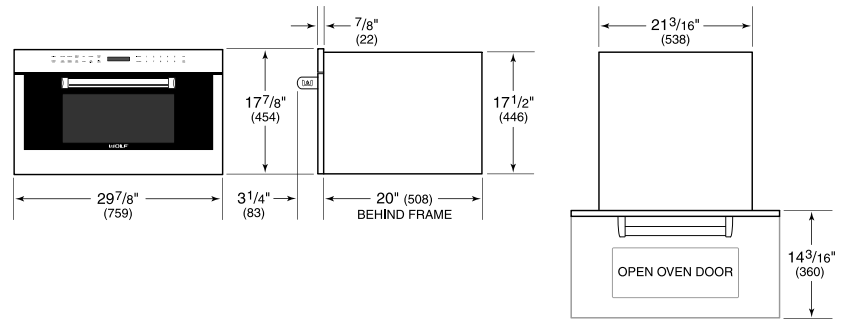
Exceptional 24/7 support from our Customer Care team in Madison



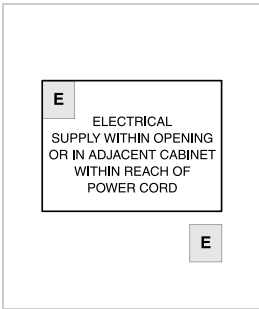
PRODUCT SPECIFICATIONS

Model	MDD30PE/S/PH
Dimensions	29 7/8"W x 17 7/8"H x 20"D
Door Clearance	14 3/16"
Weight	80 lb
Electrical Supply	120 VAC, 60 Hz
Electrical Service	15 amp dedicated circuit
Overall Capacity	1.6 cu ft
Power Cord Length	4 feet
Receptacle	3-prong grounding-type

DIMENSIONS



ELECTRICAL



STANDARD INSTALLATION

