

BOTTOM-MOUNT BUILT-IN REFRIGERATOR OWNER'S MANUAL GUIDE D'UTILISATION DU RÉFRIGÉRATEUR ENCASTRÉ AVEC CONGÉLATEUR EN BAS

Table of Contents/Table des matières

REFRIGERATOR SAFETY	2	SÉCURITÉ DU RÉFRIGÉRATEUR	19
Refrigerator Safety	2	Sécurité du réfrigérateur	19
MAINTENANCE AND CARE	3	ENTRETIEN ET RÉPARATION	20
Cleaning	3	Nettoyage	20
Lights	5	Lampes	22
Vacation and Moving Care	5	Précautions à prendre avant les vacances ou le	
Refrigerator Shelves And Freezer Compartment.....	5	déménagement	22
INSTALLATION REQUIREMENTS	6	Tablettes du réfrigérateur et compartiment de congélation	23
Parts and Features.....	6	EXIGENCES D'INSTALLATION	24
Refrigeration Compartment.....	7	Pièces et caractéristiques	24
Location Requirements	8	Compartiment de réfrigération	25
Electrical Requirements	8	Exigences d'emplacement	25
Opening Dimensions	8	Spécifications électriques	26
Product Dimensions	9	Dimensions de l'ouverture	26
INSTALLATION INSTRUCTIONS	9	Dimensions du produit	27
Unpack the Refrigerator	9	INSTRUCTIONS D'INSTALLATION	27
Refrigerator Installation Preparation	10	Déballage du réfrigérateur	27
Refrigerator Cabinetry Installation	11	Préparation de l'installation du réfrigérateur	28
Door Panel Installation and Alignment	12	Installation de l'armoire du réfrigérateur	29
Remove and Replace Drawers	16	Installation et alignement du panneau de porte.....	29
Refrigerator Door Reversal	17	Enlever et réinstaller les tiroirs	34
		Inversion du sens d'ouverture de la porte du réfrigérateur	35

REFRIGERATOR SAFETY

Your safety and the safety of others are very important.

We have provided many important safety messages in this manual and on your appliance. Always read and obey all safety messages.



This is the safety alert symbol.

This symbol alerts you to potential hazards that can kill or hurt you and others.

All safety messages will follow the safety alert symbol and either the word "DANGER" or "WARNING." These words mean:

▲ DANGER

You can be killed or seriously injured if you don't immediately follow instructions.

▲ WARNING

You can be killed or seriously injured if you don't follow instructions.

All safety messages will tell you what the potential hazard is, tell you how to reduce the chance of injury, and tell you what can happen if the instructions are not followed.

IMPORTANT SAFETY INSTRUCTIONS

WARNING: To reduce the risk of fire, electric shock, or injury to persons when using your appliance, follow basic precautions, including the following:

- Children should be supervised to ensure that they do not play with the appliance.
- This appliance is not intended for use by persons (including children) with reduced physical, sensory, or mental capabilities, or lack of experience and knowledge, unless they have been given supervision or instruction concerning use of the appliance by a person responsible for their safety.
- Do not use an extension cord.
- If power supply cord is damaged, it must be replaced by the manufacturer, its service agent, or a similarly qualified person in order to avoid a hazard.
- Connect to potable water supply only.
- This appliance is intended to be used in household and similar applications such as: staff kitchen areas in shops, offices, and other working environments; farm houses and by clients in hotels, motels, and other residential-type environments; bed and breakfast-type environments; and catering and similar non-retail applications.
- Do not store explosive substances such as aerosol cans with a flammable propellant in this appliance.
- Do not use replacement parts that have not been recommended by the manufacturer (e.g., parts made at home using a 3D printer).
- Keep ventilation openings, in the appliance enclosure or in the built-in structure, clear of obstruction.
- Do not use mechanical devices or other means to accelerate the defrosting process, other than those recommended by the manufacturer.
- Do not damage the refrigerant circuit.
- Do not use electrical appliances inside the food storage compartments of the appliance, unless they are of the type recommended by the manufacturer.
- Ice maker kit can be added to some models. See serial tag inside the food compartment of appliance for ice maker kit model information.
- A qualified service technician must install the water line and ice maker. See installation instructions supplied with ice maker kit for complete details.

SAVE THESE INSTRUCTIONS

NOTE: The appliance must be disconnected from the power supply before any installation or service operation - risk of electric shock.

Proper Disposal of Your Old Refrigerator

WARNING: Risk of child entrapment. Before you throw away your old refrigerator or freezer:

- Take off the doors.
- Leave the shelves in place so that children may not easily climb inside.

⚠WARNING

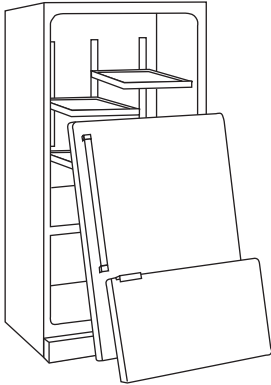
Suffocation Hazard

**Remove doors or lid from your old appliance.
Failure to do so can result in death or brain damage.**

IMPORTANT: Child entrapment and suffocation are not problems of the past. Junked or abandoned freezers or refrigerators, are still dangerous, even if they will sit for “just a few days.” If you are getting rid of your old refrigerator or freezer, please follow these instructions to help prevent accidents.

Important information to know about disposal of refrigerants:

Dispose of refrigerator in accordance with Federal and Local regulations. Refrigerants must be evacuated by a licensed, EPA certified refrigerant technician in accordance with established procedures.



IMPORTANT: C-Pentane is used as blowing agent in the insulation foam and it is a flammable gas.

This appliance does not contain CFCs. The refrigerant circuit contains R600a (HC). Appliances with Isobutane (R600a): isobutane is a natural gas without environmental impact, but is flammable. Therefore, make sure the refrigerant circuit pipes are not damaged, especially when emptying the refrigerant circuit.

MAINTENANCE AND CARE

Cleaning

⚠WARNING



Explosion Hazard

**Risk of Fire or Explosion.
Flammable Refrigerant Used.
Do Not Use Mechanical Devices to Defrost Refrigerator.
Do Not Puncture Refrigerant Tubing.**

Both the refrigerator and freezer sections defrost automatically. However, clean both sections about once a month to avoid odor buildup. Wipe up spills immediately.

IMPORTANT:

- Because air circulates between all sections, any odors formed in one section will transfer to the other. You must thoroughly clean all sections to eliminate odors. To avoid odor transfer and drying out of food, wrap or cover foods tightly.
- Do not use abrasive or harsh cleaners such as window sprays, scouring cleansers, flammable fluids, muriatic acid, cleaning waxes, concentrated detergents, bleaches or cleansers containing petroleum products on doors and cabinet, plastic parts, interior and door liners or gaskets. Do not use paper towels, scouring pads, or other harsh cleaning tools.
- For stainless steel models, stainless steel is corrosion resistant and not corrosion-proof. To help avoid corrosion of your stainless steel, keep your surfaces clean by using the following cleaning instructions.

Cleaning the Touch Screen Display on the Dispenser Panel (on some models):

1. Make sure the refrigerator is unplugged or the power is disconnected before wiping the screen to avoid unintentionally changing the settings.
2. Mix a solution of mild detergent in warm water. Dampen a soft, lint-free cloth with the solution and gently wipe the screen.
NOTE: Do not spray or wipe liquids directly onto the screen or over-saturate the cloth.
3. Plug in refrigerator or reconnect power.

Cleaning the Interior:

IMPORTANT: Refrigerator shelves with under-shelf, LED lighting are not dishwasher safe.

1. Unplug refrigerator or disconnect power.
2. Hand wash, rinse, and dry removable parts and interior surfaces thoroughly. Use a clean sponge or soft cloth and a mild detergent in warm water.
3. Plug in refrigerator or reconnect power.

Cleaning the Exterior:

IMPORTANT: Damage to smooth finish due to improper use of cleaning products or using non-recommended cleaning products is not covered under the warranty. Sharp or blunt instruments will mar the finish.

1. Unplug refrigerator or disconnect power.
2. Using a clean sponge or soft cloth and a mild detergent in warm water, wash, rinse, and thoroughly dry stainless steel and painted metal exteriors.

To keep your stainless steel refrigerator looking like new and to remove minor scuffs or marks, it is suggested that you use the manufacturer's approved stainless steel cleaner and polish. This cleaner is for stainless steel parts only. Refer to the Quick Start Guide for ordering information.

NOTE : When cleaning stainless steel, always wipe in the direction of the grain to avoid cross-grain scratching.

Do not allow the stainless steel cleaner and polish to come into contact with any plastic parts such as the trim pieces, dispenser covers, or door gaskets. If unintentional contact does occur, clean plastic part with a sponge and mild detergent in warm water. Dry thoroughly with a soft cloth.

3. Plug in refrigerator or reconnect power.

Style 1: Smooth Door/Painted Metal

DO USE	DO NOT USE
<ul style="list-style-type: none"> ■ Soft, clean cloth 	<ul style="list-style-type: none"> ■ Abrasive cloths ■ Paper towels or newsprint ■ Steel-wool pads
<ul style="list-style-type: none"> ■ Warm, soapy water with a mild detergent 	<ul style="list-style-type: none"> ■ Abrasive powders or liquids ■ Window sprays ■ Ammonia ■ Acidic or vinegar-based cleaners ■ Oven cleaners ■ Flammable fluids

NOTE: Paper towels scratch and may dull the clear coat of the painted door. To avoid possible damage, use only soft, clean cloths to polish and wipe the door.

Style 2: Stainless Steel

DO USE	DO NOT USE
<ul style="list-style-type: none"> ■ Soft, clean cloth 	<ul style="list-style-type: none"> ■ Abrasive cloths ■ Paper towels or newsprint ■ Steel-wool pads
<ul style="list-style-type: none"> ■ Warm, soapy water with a mild detergent 	<ul style="list-style-type: none"> ■ Abrasive powders or liquids ■ Ammonia ■ Citrus-based cleaners ■ Acidic or vinegar-based cleaners ■ Oven cleaners
<ul style="list-style-type: none"> ■ For heavy soil, use only a manufacturer's approved stainless steel cleaner and polish 	<ul style="list-style-type: none"> ■ Abrasive powders or liquids ■ Ammonia ■ Citrus-based cleaners ■ Acidic or vinegar-based cleaners ■ Oven cleaners ■ Abrasive cloths ■ Paper towels or newsprint ■ Steel-wool pads

NOTES:

- If unintentional contact does occur, clean plastic part with a sponge and mild detergent in warm water. Dry thoroughly with a soft cloth.
- Avoid exposing stainless steel appliances to caustic or corrosive elements such as high-salt, high-moisture, or high-humidity environments. Damage due to exposure to these elements is not covered under the warranty.
- Just because a cleaner is a liquid does not mean it is nonabrasive. Many liquid cleansers formulated to be gentle on tile and smooth surfaces still damage stainless steel.
- When cleaning stainless steel, always wipe in the direction of the grain to avoid cross-grain scratching.
- Citric acid permanently discolors stainless steel. To avoid damaging the finish of your stainless steel refrigerator:

Do not allow these substances to remain on the finish:

- Mustard
- Tomato juice
- Marinara sauce
- Citrus-based sauces
- Citrus-based products

Condenser Cleaning

⚠WARNING



Explosion Hazard

Risk of Fire or Explosion due to Puncture of Refrigerant Tubing;

Follow Handling Instructions Carefully.

Flammable Refrigerant Used.

There is no need for routine condenser cleaning in normal home operating environments. If the environment is particularly greasy or dusty or there is significant pet traffic in the home, the condenser should be cleaned every 6 months to ensure maximum efficiency.

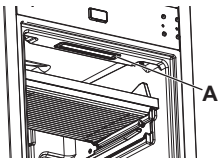
Use a vacuum cleaner with a soft brush to clean the grille, the open areas behind the grille, and the front surface area of the condenser.

NOTE: If you are unable to clean the condenser, please call for service.

Lights

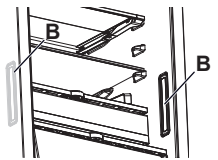
IMPORTANT: The lights in both the refrigerator and freezer compartments use LED technology that do not need to be replaced. If the lights do not illuminate when the door or drawer is opened, call for assistance or service. Refer to the Quick Start Guide for contact information.

Light system (depending on model)



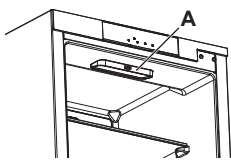
A. Light Source Class G

This product contains a light source of energy efficiency class G.



B. Light Source Class F

This product contains 2/4 lateral light sources of energy efficiency class F and a top light source of energy class G.



A. Light Source Class G

This product contains a top light source of energy efficiency class G.

Vacation and Moving Care

Vacation

If You Choose to Leave the Refrigerator On While You're Away: Use up any perishables and freeze other items.

If You Choose to Turn Off the Refrigerator Before You Leave:

1. Remove all food from the refrigerator.
2. Turn off the Temperature control(s). See the "Quick Start Guide."
3. Clean refrigerator, wipe it, and dry well.
4. Tape rubber or wood blocks to the tops of both doors to prop them open far enough for air to get in. This stops odor and mold from building up.

Moving

When you are moving your refrigerator to a new home, follow these steps to prepare it for the move.

1. If your refrigerator has an automatic ice maker:
 - Turn off the water supply to the ice maker at least one day ahead of time.
 - Disconnect the water line from the back of the refrigerator.
 - When the last load of ice drops, raise the wire shutoff arm to the Off (up) position or press the switch to Off, depending on your model.
2. Remove all food from the refrigerator and pack all frozen food in dry ice.
3. Empty the ice tray.
4. Turn off the Temperature control(s). See the "Quick Start Guide."
5. Unplug the refrigerator.
6. Clean, wipe, and dry thoroughly.
7. Take out all removable parts, wrap them well, and tape them together so they don't shift and rattle during the move.
8. Tape the doors closed and tape the power cord to the back of the refrigerator.

When you get to your new home, put everything back and refer to the "Installation Instructions" section for preparation instructions.

Refrigerator Shelves And Freezer Compartment

Refrigerator has different type of shelves as given below:

- Glass shelf
- Foldable shelf*
- Door shelves
- Bottle shelf

NOTE: All of the door shelves and shelves are removable. Features and technical data may vary depending on the model.

Important information to know about glass shelves and covers:

Do not clean glass shelves or covers with warm water when they are cold. Shelves and covers may break if exposed to sudden temperature changes or impact, such as bumping. Tempered glass is designed to shatter into many small, pebble-size pieces. This is normal. Glass shelves and covers are heavy. Use both hands when removing them to avoid dropping.

The shelves in your refrigerator are adjustable to match your individual storage needs.

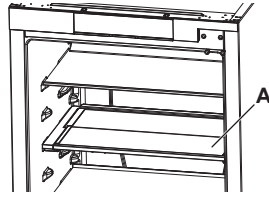
Storing similar food items together in your refrigerator and adjusting the shelves to fit different heights of items will make finding the exact item you want easier. It will also reduce the amount of time the refrigerator door is open, and save energy.

*On Some Models

Foldable Shelf*

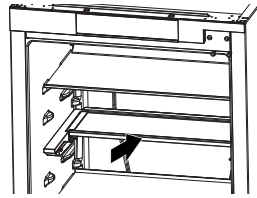
This shelf can be used in 3 different ways:

1. **Full-depth:** The entire surface can be utilized.

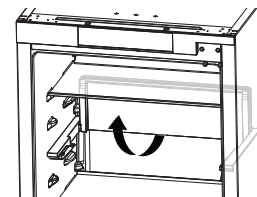


A. Foldable Shelf

2. **Half-depth:** To adjust the shelf to half-depth, slightly raise the front part then pull it in. Half-depth is used to create the space for taller items kept on below shelf and to use the rear part of the shelf.



3. **Flipped up:** To flip the shelf up, first adjust the halfway position from half-depth and then flip down to using the shelf in half-depth and full-depth. It will create more space for tall and bulky items kept on below shelf.



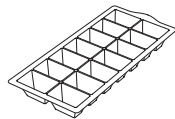
Freezer Compartment

The details of freezer compartment are as follows:

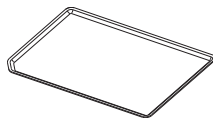
1. **Ice Cubes*:** Fill the water in ice tray upto 2/3rd capacity of it and put into freezer compartment.

IMPORTANT: Do not use sharp or pointed objects to remove the ice from ice tray.

The quantity of frozen food for 12 hours and 24 hours duration is given on the rating plate.

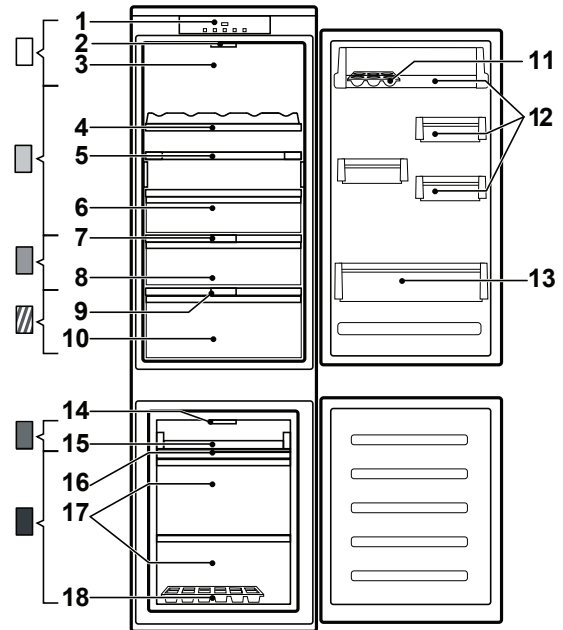


2. **Easy Access Tray:** Freezer tray is useful to easily access frequently used products, freeze or simply store leftovers or small items.
3. **Maker's Pad*:** The metallic panel freeze the food faster. Lift the metallic panel from left angle to remove and clean easily.



INSTALLATION REQUIREMENTS

Parts and Features



Refrigerator Compartment

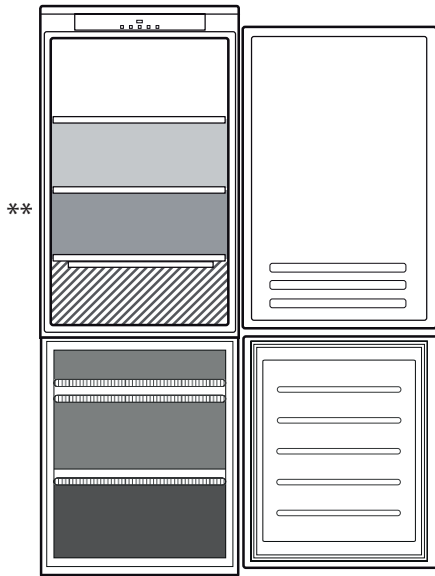
1. Control Panel
2. LED Light
3. Multiflow
4. Bottle Rack*
5. Glass Shelf
6. Foldable Shelf*
7. Multitemperature Knob*
8. Multitemperature Drawer*
9. Humidity Control Knob*
10. Fruit And Vegetable Drawer
11. Egg Tray
12. Door Shelves
13. Bottle Shelf

Freezer Compartment

14. LED Light*
15. Easy Access Tray
16. Maker's Pad*
17. Middle and Bottom Drawers (Storage Area For Frozen And Deep Frozen Food)
18. Ice Tray

*On Some Models

Refrigerator Cooling Zones



Minor cool zone

Suggested for the storage of tropical fruit, cans, drinks, eggs, sauces, pickles, butter, jam.



Cool Zone

Suggested for the storage of cheese, milk, daily food, delicatessen, yogurt.



Coolest Area**

Suggested for storage of cold cuts, desserts, meat and fish.



Fruit & Vegetable Drawer



Freezer Drawers



Freezing Zone Drawer (Max cool zone)

Suggested to freeze fresh/cooked food.

Refrigeration Compartment

The refrigerator compartment allows for the storage of fresh food and drink. The refrigerator compartment defrosts automatically. The occasional presence of drops of water on the internal back wall of the compartment is a sign of the automatic defrosting phase. The defrosting water is channelled into a drain and then collected in a container, where it evaporates.

NOTE: The ambient temperature, how often the doors are opened and the position of the appliance may affect the internal temperatures in the two compartments. Set the temperatures according to these factors. In very humid conditions, condensation may form in the refrigerator compartment, especially on the glass shelves. In this case, it is recommended that you close containers with liquids in (e.g. a pot of stock), wrap up food with a high water content (e.g. vegetables) and turn on the fan, if there is one. All of the drawers, door shelves and shelves can be removed.

Multiflow Air Distribution

The multiflow helps to distribute equally the cold air in the cavity for a better food preservation. Food can be placed on any shelf of the appliance.

NOTE: Prevent blockages of the air distribution vents which ensures its free movement.

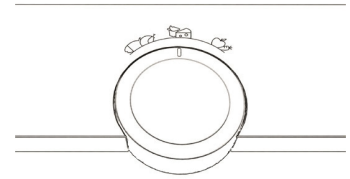
Multitemperature Zone*

There are 3 temperature selection positions to preserve the meat/ fish, dairy food and fruit/veggies, offering extra storage space for your fresh greens.

■ **Left position:**
meat and fish

■ **Mid position:**
dairy food
(cheese and
yogurt)

■ **Right position:**
fruits and
vegetables

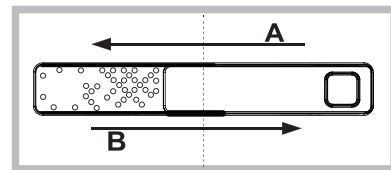


For the correct functioning of the multitemperature zone drawer, it is necessary that:

- the appliance is turned on
- one of the following special functions is not selected: Standby, Cooling-Off, Vacation (in this case, remove the food contained in it).

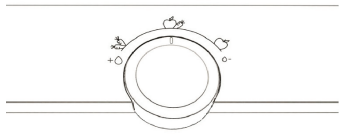
Humidity control*

Open the humidity regulator (position B) if you want to store food, like fruit, in a less humid environment or close it (position A) to store food, like vegetables, in a more humid environment.



Turn the knob to the left for storing vegetables (for which a more humid environment is recommended), rotate the knob to the right for storing fruit (for which a less humid environment is recommended) and turn the knob to the middle for storing a mixture of fruit and vegetables.

**For models with "0° ZONE" COMPARTMENT, the "coolest area" is the one highlighted in the legend



NOTE: Avoid storing unwrapped food in direct contact with internal surfaces of the refrigerator or freezer compartments.

Location Requirements

⚠ WARNING
Explosion Hazard
Keep flammable materials and vapors, such as gasoline, away from appliance.
Use nonflammable cleaner.
Failure to do so can result in death, explosion, or fire.

Floor must support the refrigerator weight, more than 600 lbs (272 kg), door panels, and contents of the refrigerator.

Each refrigerator needs to be installed in a separate cabinet frame.

NOTE: This refrigerator is intended for use in a location where the temperature ranges from a minimum of 13°C (55°F) to a maximum of 43°C (110°F). The preferred room temperature range for optimum performance, which reduces electricity usage and provides superior cooling, is between 15°C (60°F) and 32°C (90°F). It is recommended that you do not install the refrigerator near a heat source, such as an oven or radiator.

Electrical Requirements

⚠ WARNING
Electrical Shock Hazard
Plug into a grounded 3 prong outlet.
Do not remove ground prong.
Do not use an adapter.
Do not use an extension cord.
Failure to follow these instructions can result in death, fire, or electrical shock.

Before you move your refrigerator into its final location, it is important to make sure you have the proper electrical connection.

If the supply cord is damaged, it must be replaced by the manufacturer or its service agent or a similarly qualified person. Do not use a cord that shows cracks or abrasion damage along its length or at either the plug or connector end.

Recommended Electrical Connection

It must be possible to disconnect the appliance from the power supply by unplugging it if plug is accessible, or by a multi-pole switch installed upstream of the socket in accordance with the wiring rules and the appliance must be earthed in conformity with national electrical safety standards. Do not use an extension cord.

IMPORTANT: If this product is connected to a GFCI (Ground Fault Circuit Interrupter) protected outlet, nuisance tripping of the power supply may occur, resulting in loss of cooling. Food quality and flavor may be affected. If nuisance tripping has occurred, and if the condition of the food appears poor, dispose of the food.

NOTE: Before performing any type of installation or cleaning, or removing a light bulb, turn cooling off or turn the control (Thermostat, Refrigerator or Freezer Control depending on the model) to Off. On models with a digital temperature control, press the minus sign touch pads repeatedly until a dash (-) appears in both the freezer and refrigerator displays. Disconnect the refrigerator from the electrical source. When you are finished, reconnect the refrigerator to the electrical source and turn cooling on or reset the control (Thermostat, Refrigerator or Freezer Control depending on the model) to the desired setting. See the "Quick Start Guide".

Opening Dimensions

This refrigerator is designed to be installed inside a frame that is between kitchen cabinets. The inside of the frame should be a minimum of 69¹⁵/₁₆" (1776 mm) high, 21¹⁵/₁₆" (557 mm) wide, and 21⁷/₈" (555 mm) deep (front to back).

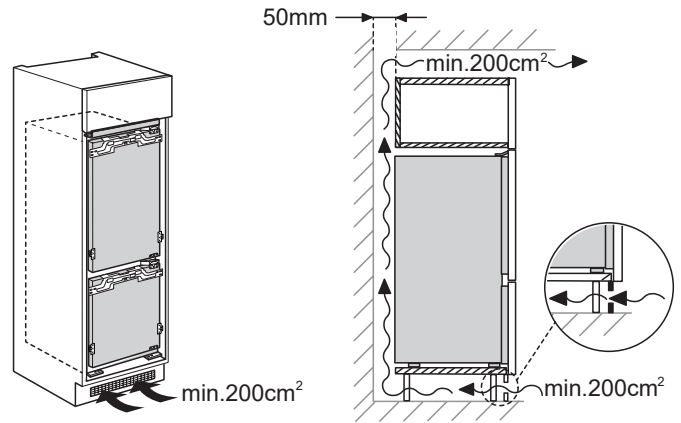
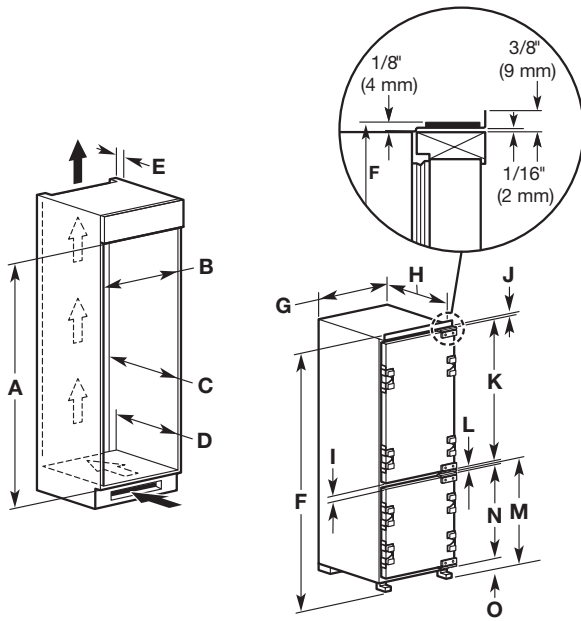
For proper ventilation, you must allow adequate unobstructed space behind the refrigerator and below and above the frame. Air enters below the refrigerator and exits above it.

Allow a clearance minimum of 2" (50 mm) at the top of the frame. The minimum depth of the base of the frame is 20⁷/₁₆" (520 mm) (front to back).

The base can be as desired, but height should match height of toe kick of surrounding cabinets. A vent with an opening of at least 31 sq in. (200 sq. cm) is required for proper ventilation. If the space between the top of the frame and the ceiling is open air, allow a minimum of 7⁷/₈" (200 mm) above the refrigerator. If the space between the top of the frame and the ceiling is enclosed as part of the surrounding cabinetry, a vent with an opening of at least 31 sq. in. (200 sq. cm) is required.

The bottom of the vent must be a minimum of 7⁷/₈" (200 mm) above the refrigerator.

NOTE: Vent covers are not supplied with the unit.



Product Dimensions

The unit is 69¹¹/₁₆" (1770 mm) high, 21⁵/₁₆" (557 mm) wide, and 21⁷/₁₆" (545 mm) deep (front-to-back).

The refrigerator door (including hinges (x2)) is 40⁵/₁₆" (1024.5 mm) high. The freezer door (including hinges (x2)) is 27" (685.5 mm) high.

The space between the refrigerator and freezer doors is 2¹⁵/₁₆" (75 mm). The space between the door hinges is 25/32" (20 mm). A grounded 3 prong electrical outlet should be placed within 4" (101 mm) of the right side cabinets or end panel. See "Electrical Requirements" for additional information.

INSTALLATION INSTRUCTIONS

Unpack the Refrigerator

⚠ WARNING

Excessive Weight Hazard

Use two or more people to move and install or uninstall appliance.

Failure to do so can result in back or other injury.

IMPORTANT: To avoid a hazard due to instability of the appliance, it must be fixed to the furniture in accordance with the manufacturer instructions, and the furniture must be fixed to the wall.

Refrigerator Delivery

- If door opening is 36" (914 mm) or less, then removal of doors, drawer, and hinges is required.
- Cart the refrigerator from the side for all door openings.

Remove the Packaging

- Remove tape and glue residue from surfaces before turning on the refrigerator. Rub a small amount of liquid dish soap over the adhesive with your fingers. Wipe with warm water and dry.
- Do not use sharp instruments, rubbing alcohol, flammable fluids, or abrasive cleaners to remove tape or glue. These products can damage the surface of your refrigerator. For more information, see "Refrigerator Safety."
- Dispose of/recycle all packaging materials.
- Once installed, packaging waste (plastic, Styrofoam parts etc.) must be stored out of reach of children.

Dimension Table	
A	69¹⁵/₁₆" (1776 mm)
B	22¹/₁₆" (560 mm)
C	Minimum 21⁷/₈" (555 mm)
D	Minimum 20⁷/₁₆" (520 mm)
E	Minimum 2" (50 mm)
F	69¹¹/₁₆" (1770 mm)
G	21⁵/₁₆" (557 mm)
H	21⁷/₁₆" (545 mm)
I	2¹⁵/₁₆" (75 mm)
J	1¹/₈" (28 mm)
K	40⁵/₁₆" (1024.5 mm)
L	13/16" (20 mm)
M	27¹¹/₁₆" (703.5 mm)
N	27" (685.5 mm)
O	5/16" (8 mm)

When Moving Your Refrigerator:

Your refrigerator is heavy. When moving the refrigerator for cleaning or service, be sure to cover the floor with cardboard or hardboard to avoid floor damage. Always pull the refrigerator straight out when moving it. Do not wiggle or “walk” the refrigerator when trying to move it, as floor damage could occur.

Clean Before Using

After you remove all of the packaging materials, clean the inside of your refrigerator before using it. See the cleaning instructions in “Refrigerator Care.”

Important information to know about glass shelves and covers:

Do not clean glass shelves or covers with warm water when they are cold. Shelves and covers may break if exposed to sudden temperature changes or impact, such as bumping. Tempered glass is designed to shatter into many small, pebble-size pieces. This is normal. Glass shelves and covers are heavy. Use both hands when removing them to avoid dropping.

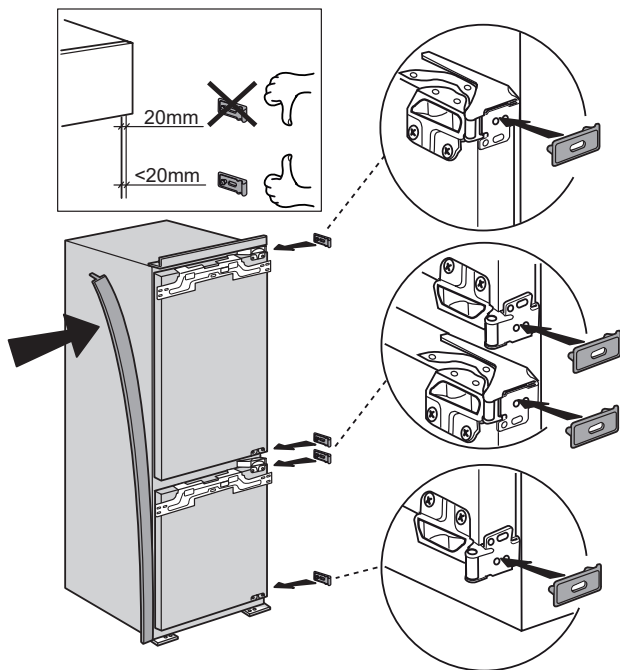
Refrigerator Installation Preparation

Before installing the refrigerator into cabinet, follow the steps given below:

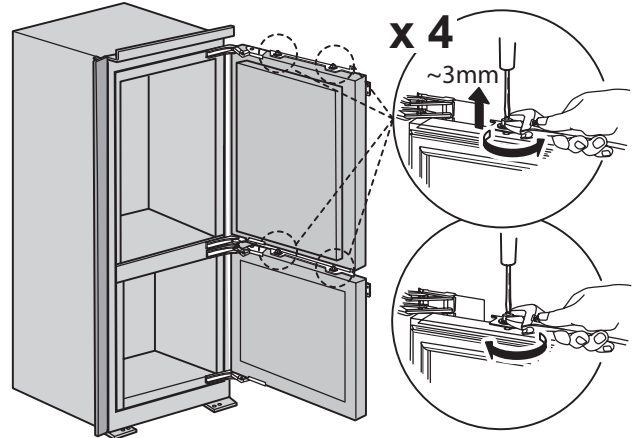
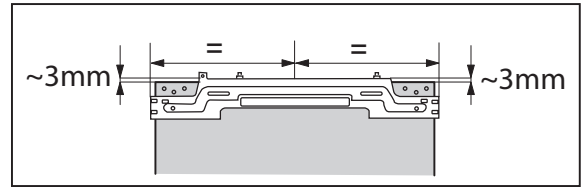
1. Press fit the insulation tape on the side of refrigerator as shown in figure.

Also attach 4 bracket caps on the door hinges.

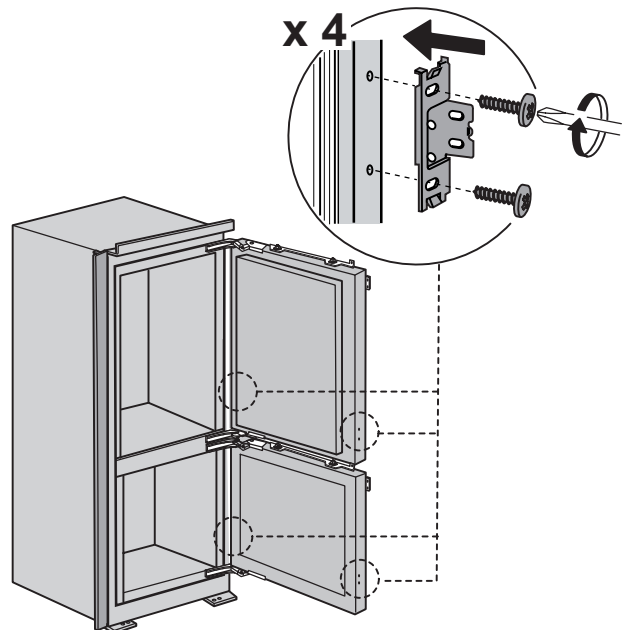
IMPORTANT: Cabinet wall thickness should be less than 20 mm to fit the caps properly.



2. Loosen the 4 screws of the bracket by rotating counterclockwise with the help of screw driver. Pull the bracket 3 mm up and then tighten the screws to fix it.

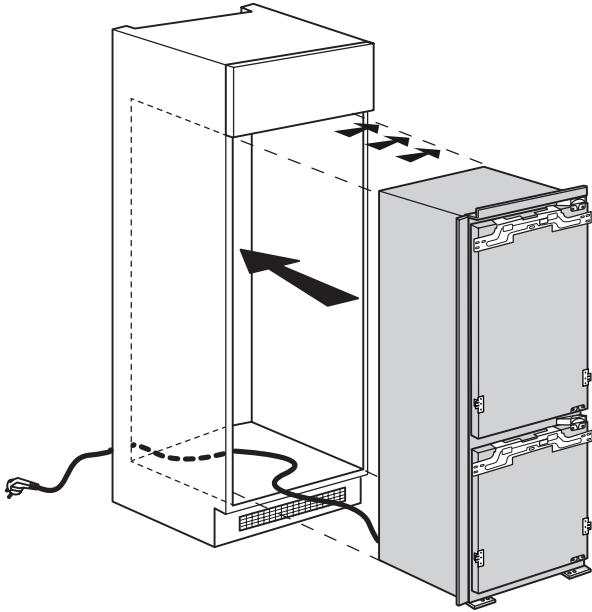


3. Attach the 4 brackets on the sides of the refrigerator by using Philip screws.

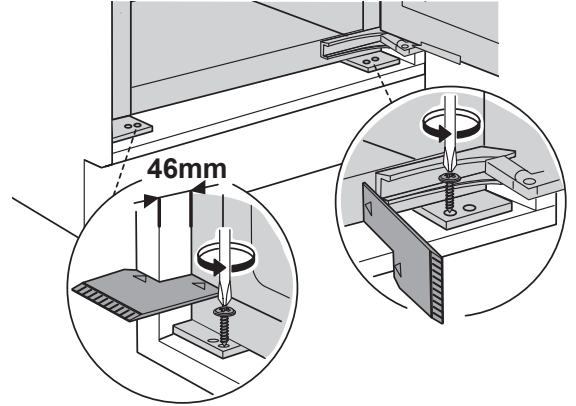


4. Pass the wiring from the hole which is present on the backside of the cabinet.

5. Finally move the refrigerator into the cabinet.



2. Use right angle tool in the bottom to position the refrigerator. Then fix the refrigerator to the cabinet with the 2 screws.

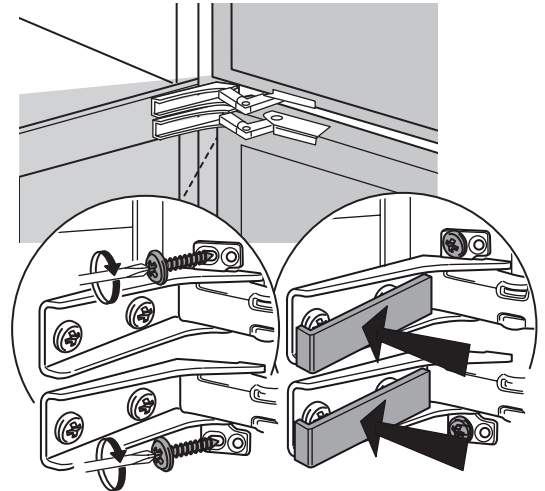
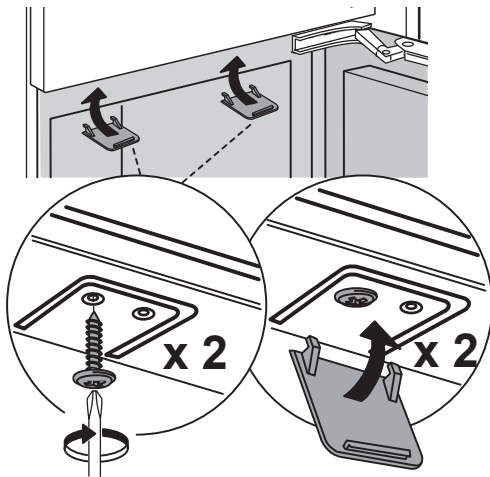


3. Install middle, upper and lower hinges of the refrigerator and place screw caps on it.

Refrigerator Cabinetry Installation

Follow the below steps to fix the refrigerator with the cabinet.

1. Attach the refrigerator to the cabinet at upper side with the help of the 2 screws.
Press fit the screw cap onto it.



Door Panel Installation and Alignment

Door Panels Requirements (each door)

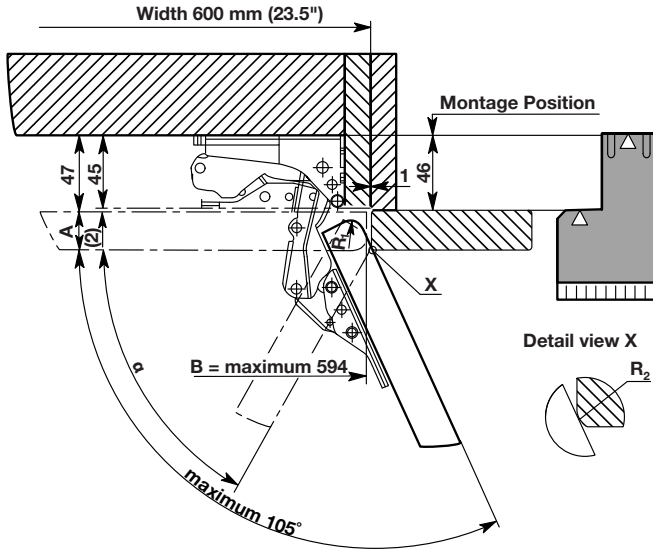
Maximum Weight: 26.5 lbs (12 Kg)

Minimum Panels Dimensions:

Refrigerator Door Panel: 42 $\frac{1}{8}$ " (1071.5 mm) x 23 $\frac{1}{4}$ " (590 mm) x 3/4" (20 mm)

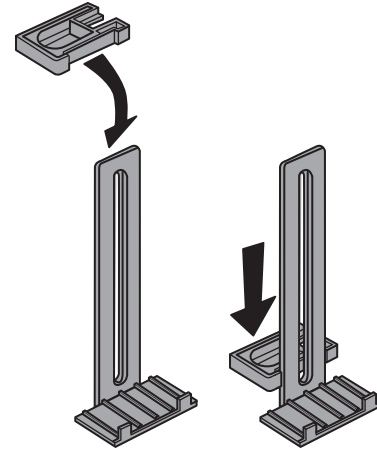
Freezer Door Panel: 27 $\frac{5}{8}$ " (701.5 mm) x 23 $\frac{1}{4}$ " (590 mm) x 3/4" (20 mm).

For maximum dimensions, please review the following diagram.



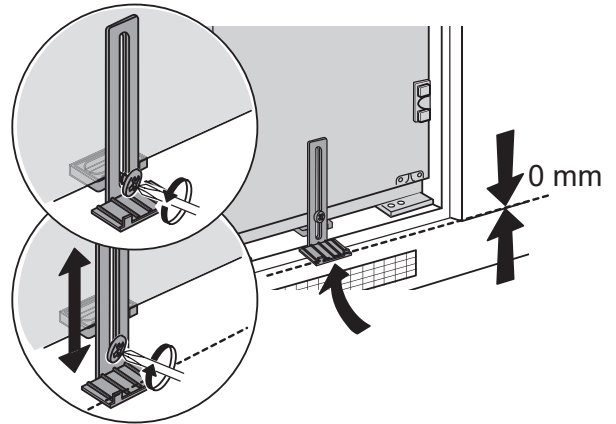
Door Panel Installation

Assemble the panel alignment tool by inserting the long arm of the main piece into the cutout of the smaller piece, and adjust it so that the base is at the appropriate height, aligned with the base of the surrounding cabinet doors. Use a screwdriver to tighten the panel alignment tool's 9.5 mm screw and hold it in place.



Freezer Door Panel Installation

1. Mount the panel alignment tool onto the freezer door. Align the smaller piece with the screws on the bottom of the door, and slide it to the left.

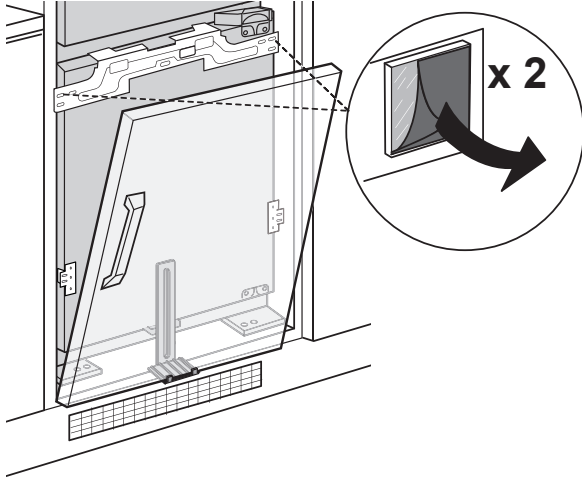


Cabinet frame wall thickness 16 mm						
minimum R1 [mm]		B [mm]				
		594	593	592	591	590
A [mm]	16	0	0	0	0	0
	17	0	0	0	0	0
	18	0	0	0	0	0
	19	0	0	0	0	0
	20	0	0	0	0	0
	21	0.4	0	0	0	0
	22	2.6	2	1.3	0.7	0
	23	5	4.4	3.8	3.2	2.6
24	7.5	7	6.5	6	5.5	

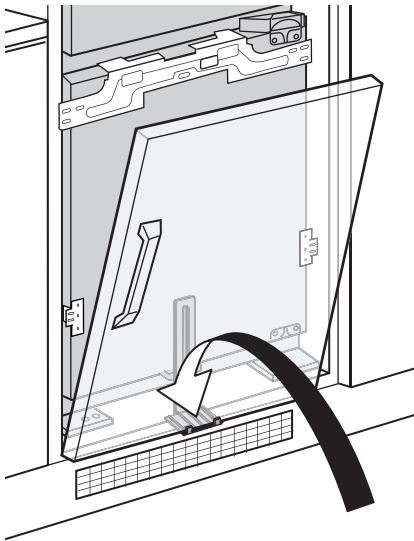
How to read this diagram:

For example if the door panel width dimension "B" is 593 mm and thickness of door panel dimension "A" is 22 mm that means that door panel require radius "R1" minimum 2 mm.

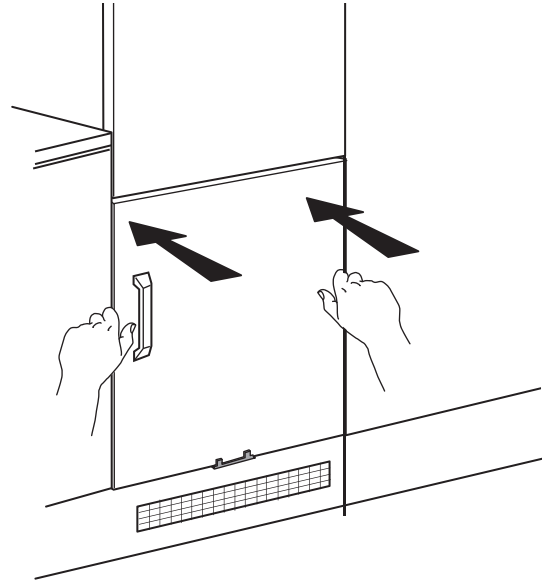
2. Peel the protective paper covers off of the adhesive pads on each freezer door panel mount. There are two adhesive pads on each of the four panel mounts.



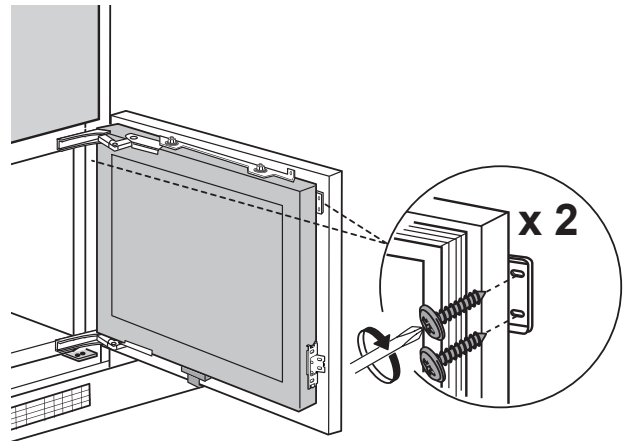
3. At an angle, rest the base of the freezer door panel on the panel alignment tool.



4. Slowly tilt the panel to attach it to the adhesive pads on the panel mounts. Firmly press against the corners of the door to ensure that the panel is properly attached to the adhesive pads.

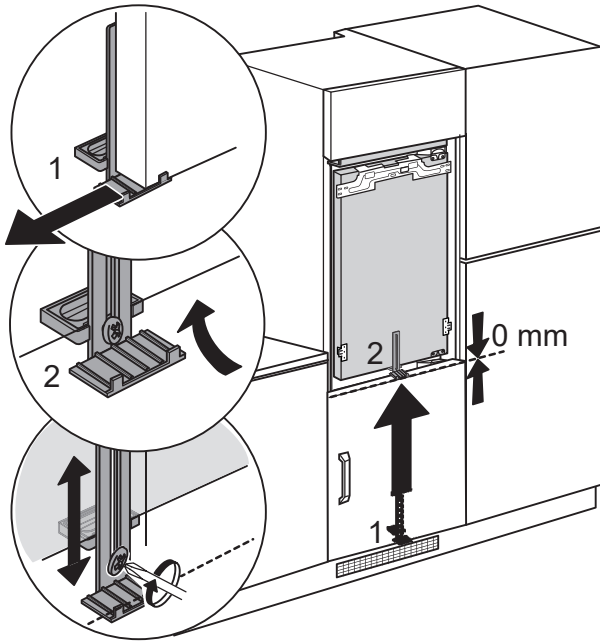


5. Attach the freezer door with panel by using only upper 4 screws. Loosen the panel alignment tool's screw and remove the tool from the freezer door by sliding it to the right and off of the door.

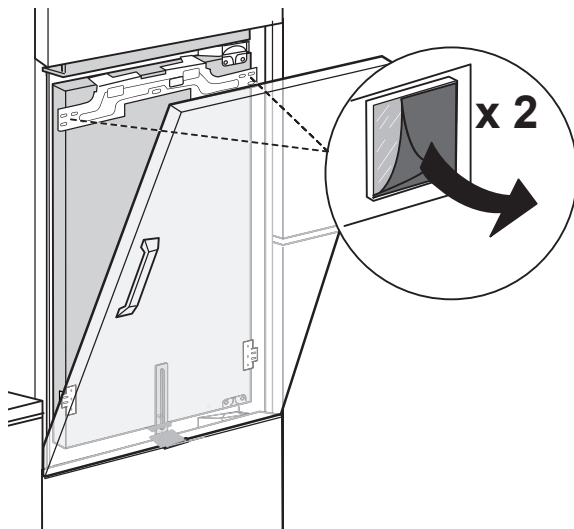


Refrigerator Door Panel Installation

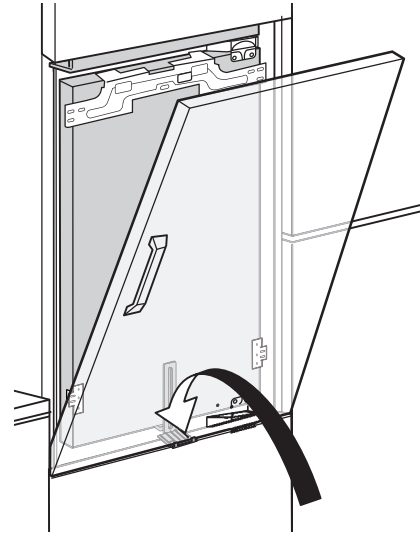
1. Mount the panel alignment tool onto the refrigerator door. Align the smaller piece with the screws on the bottom of the door, and slide it to the left.



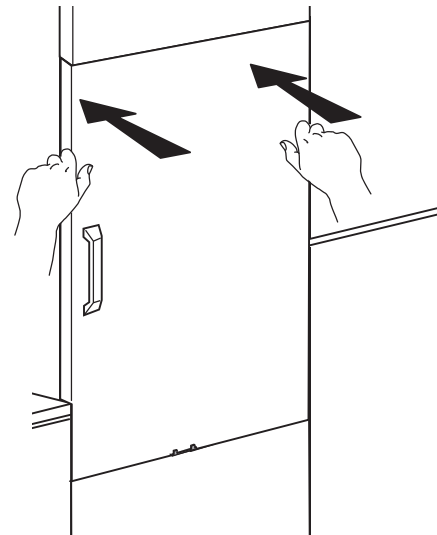
2. Peel the protective paper covers off of the adhesive pads on each refrigerator door panel mount. There are two adhesive pads on each of the four panel mounts.



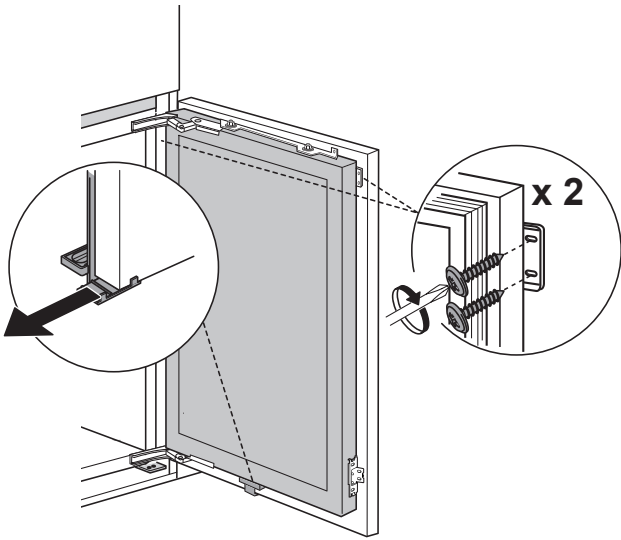
3. At an angle, rest the base of the refrigerator door panel on the panel alignment tool.



4. Slowly tilt the panel to attach it to the adhesive pads on the panel mounts. Firmly press against the corners of the door to ensure that the panel is properly attached to the adhesive pads.

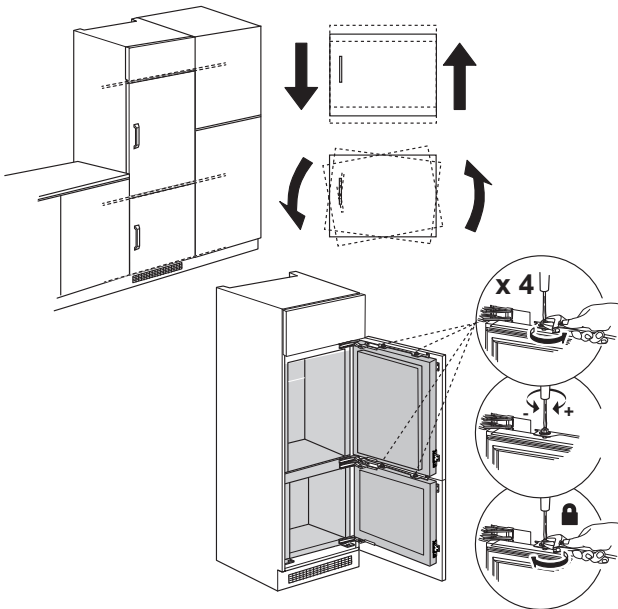


- Attach the refrigerator door with panel by using only upper 4 screws. Loosen the panel alignment tool's screw and remove the tool from the refrigerator door by sliding it to the right and off of the door.

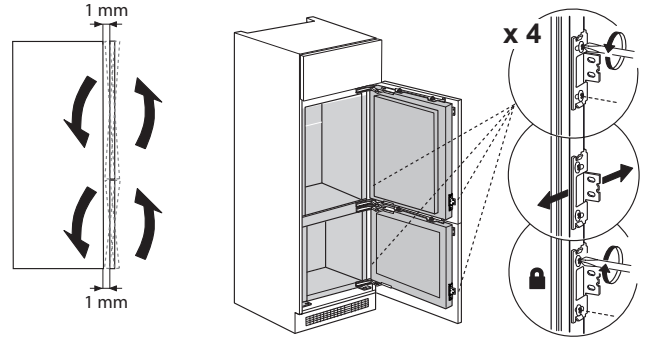


Door Panel Alignment

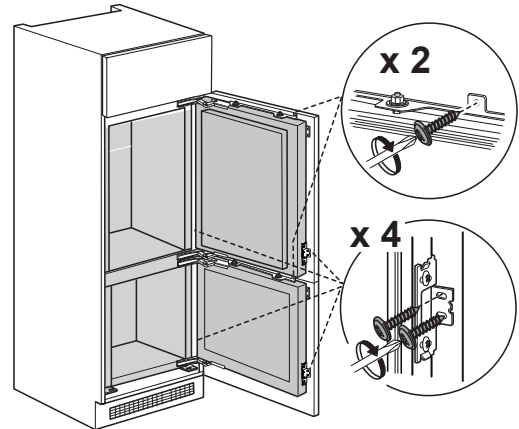
- Align the refrigerator and freezer door panels horizontally by adjusting 4 screws shown in figure. Once all adjustments done lock the screws.



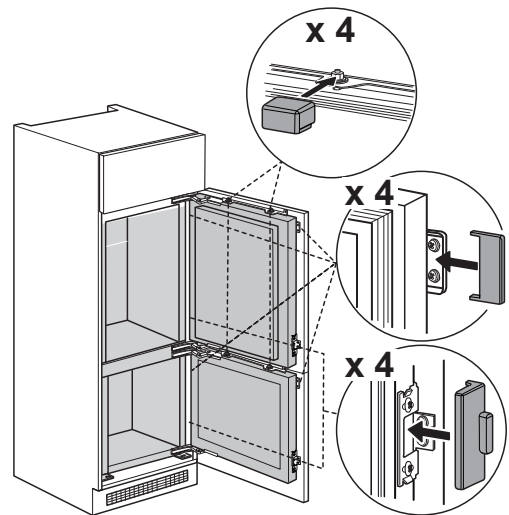
- Align the refrigerator and freezer door panels vertically by adjusting side brackets with the help of screw driver within 1 mm. Once all adjustments done lock the screws.



- After proper alignment, fix the remaining brackets.

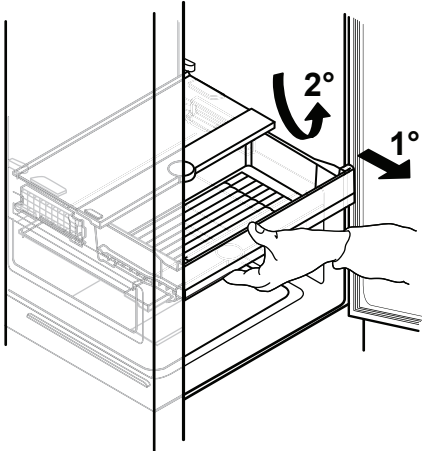
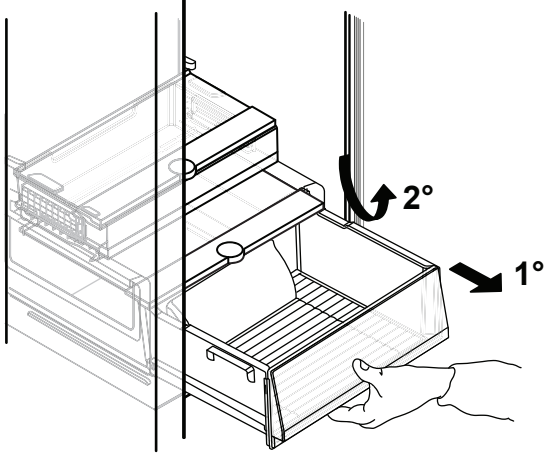


- Place the screw covers on the all brackets of refrigerator and freezer doors.

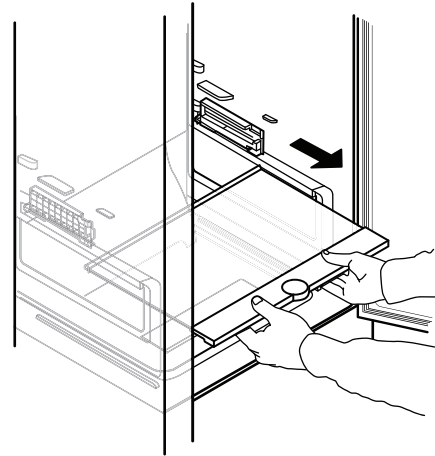
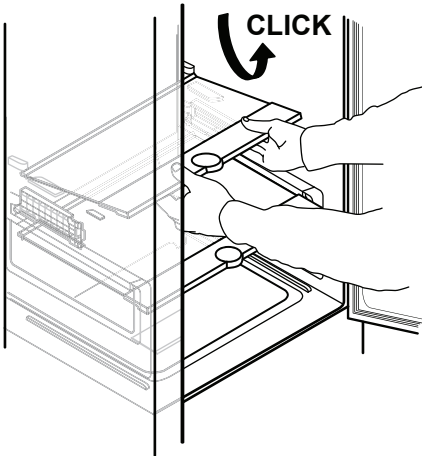


Remove and Replace Drawers

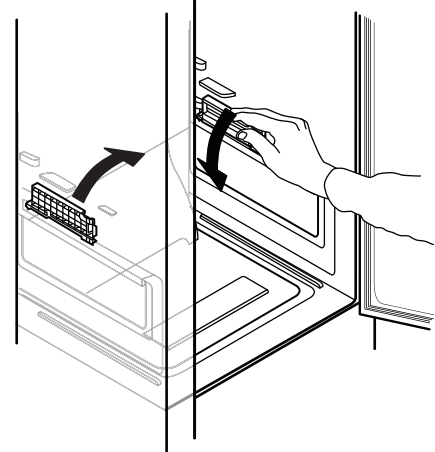
1. Lift the freezer drawer by 1° and drawer cover by 2°. Then remove both from refrigerator.



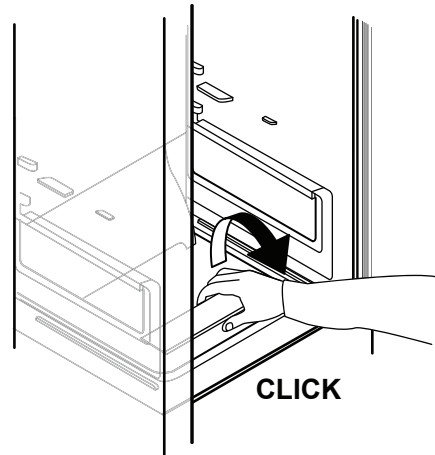
2. "CLICK" sound should come while lifting the drawer cover then take the cover out.



3. Rotate the guideways to inward direction and remove it.



4. To remove the drawer flap, pull it outward till "CLICK" sound come.

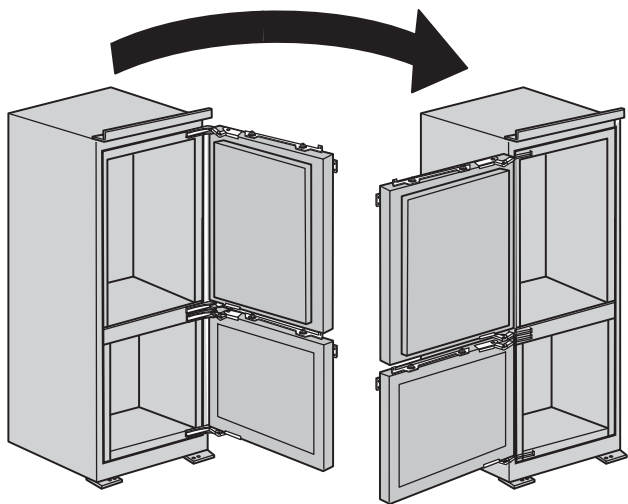


5. Wash the drawer cover.

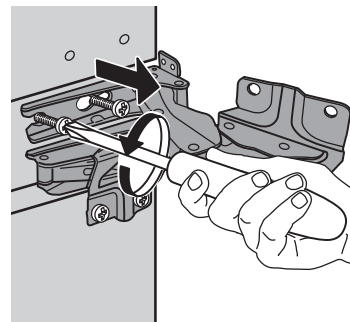
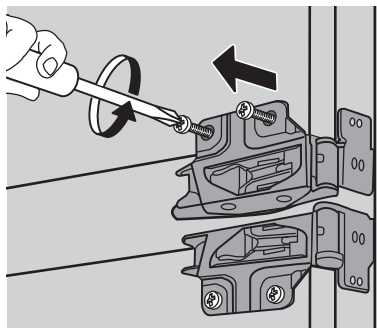
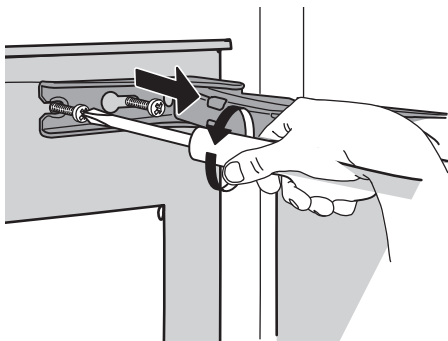


6. For replacement of the freezer drawer, reverse the procedure.

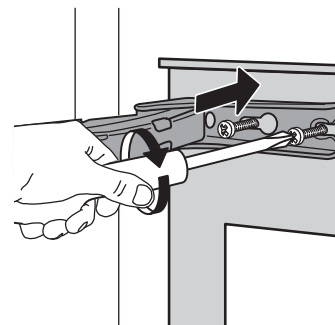
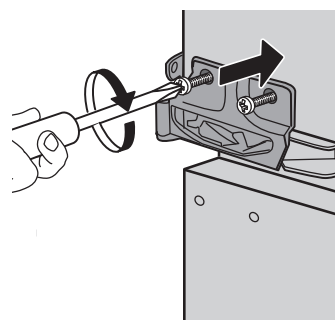
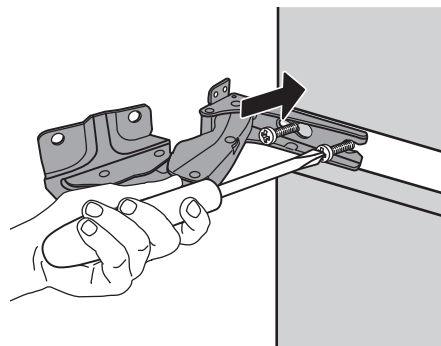
Refrigerator Door Reversal



1. Use Phillips screwdriver to remove the screws from top hinge and bottom hinge. Take the hinges aside.

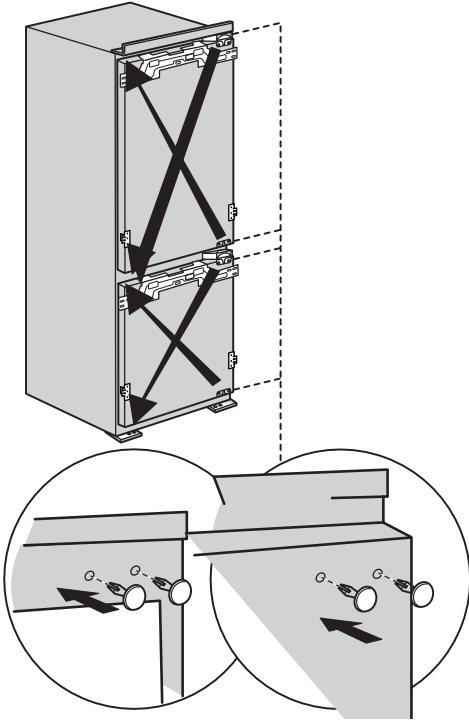


2. Use the same screws to install the top hinge on the opposite (bottom) side of the refrigerator door. Repeat for the bottom hinge.



3. Remove the hole plugs from the opposite side of the refrigerator door.

4. Insert the hole plugs where the hinge screws were located prior to the door reversal.



5. Repeat the process to reverse the freezer door.

SÉCURITÉ DU RÉFRIGÉRATEUR

Votre sécurité et celle des autres sont très importantes.

Nous donnons de nombreux messages de sécurité importants dans ce manuel et sur votre appareil. Assurez-vous de toujours lire tous les messages de sécurité et de vous y conformer.



Voici le symbole d'alerte de sécurité.

Ce symbole d'alerte de sécurité vous signale les dangers potentiels de décès et de blessures graves.

Tous les messages de sécurité suivront le symbole d'alerte de sécurité et le mot « DANGER » ou « AVERTISSEMENT ». Ces mots signifient :

▲ DANGER

Risque possible de décès ou de blessure grave si vous ne suivez pas immédiatement les instructions.

▲ AVERTISSEMENT

Risque possible de décès ou de blessure grave si vous ne suivez pas les instructions.

Tous les messages de sécurité vous diront quel est le danger potentiel, comment réduire le risque de blessure et ce qui peut se produire en cas de non-respect des instructions.

INSTRUCTIONS IMPORTANTES DE SÉCURITÉ

AVERTISSEMENT : Afin de réduire le risque d'incendie, de décharge électrique ou de blessures corporelles lors de l'utilisation de cet appareil, observer certaines précautions fondamentales, notamment :

- Les enfants doivent être surveillés afin de s'assurer qu'ils ne jouent pas avec l'appareil.
- Cet appareil ne convient pas à une utilisation par des personnes (y compris des enfants) à capacités physiques, sensorielles ou mentales réduites, ou possédant un manque d'expérience et de connaissances, à moins qu'elles ne soient placées sous supervision ou qu'elles aient reçu des instructions concernant l'utilisation de l'appareil par une personne responsable de leur sécurité.
- Ne pas utiliser de rallonge.
- Si le cordon d'alimentation est endommagé, il doit être remplacé par le fabricant, son agent de réparation ou toute autre personne qualifiée afin d'éviter tout danger.
- Brancher sur une alimentation en eau potable uniquement.
- Cet appareil est destiné à un usage domestique et à d'autres usages similaires comme : coins cuisine réservés au personnel des boutiques, des bureaux et d'autres environnements professionnels; maisons d'hôtes, ainsi que par les clients d'hôtel, de motels et d'autres installations d'hébergement; gîtes touristiques; et banquets et autres utilisations non commerciales semblables.
- Ne pas entreposer de substances explosives comme des aérosols avec agent propulseur inflammable dans cet appareil.
- Ne pas utiliser de pièces de remplacement qui n'ont pas été recommandées par le fabricant (c.-à-d., pièces fabriquées à la maison à l'aide d'une imprimante 3D).
- Garder les événements à l'intérieur de l'enceinte de l'appareil ou de la structure encastrée exempte d'obstacles.
- Ne pas utiliser des appareils mécaniques ou autres moyens pour accélérer le processus de dégivrage, autre que ceux recommandés par le fabricant.
- Ne pas endommager le circuit réfrigérant.
- Ne pas utiliser des appareils électriques à l'intérieur des compartiments d'aliments de l'appareil, à moins qu'ils soient de type recommandé par le fabricant.
- L'ensemble de machine à glaçons peut être ajouté à certains modèles. Consulter la plaque signalétique située à l'intérieur du compartiment pour les aliments de l'appareil pour obtenir les informations concernant le modèle d'ensemble de machine à glaçons.
- L'installation de la canalisation d'eau et de la machine à glaçons doit être effectuée par un technicien de service qualifié. Consulter les instructions d'installation fournies avec l'ensemble pour machine à glaçons pour tous les détails.

CONSERVER CES INSTRUCTIONS

REMARQUE : L'appareil doit être débranché de l'alimentation électrique avant toute installation ou tout entretien – risque de décharge électrique.

Mise au rebut du vieux réfrigérateur

AVERTISSEMENT : Un enfant peut rester piégé. Avant de jeter votre vieux réfrigérateur ou congélateur :

- Enlever les portes.
- Laisser les tablettes en place de sorte que les enfants ne puissent pas y pénétrer facilement.

⚠ AVERTISSEMENT

Risque de suffoquer

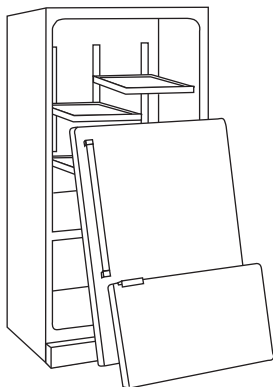
Enlever les portes ou le couvercle de votre vieil appareil.

Le non-respect de cette instruction peut causer un décès ou des lésions cérébrales.

IMPORTANT : Le risque qu'un enfant puisse se retrouver coincé et suffoquer n'est pas chose du passé. Les réfrigérateurs et congélateurs jetés ou abandonnés sont toujours dangereux, même s'ils ne restent à l'extérieur que pour « quelques jours seulement ». Si vous vous débarrassez de votre vieux réfrigérateur ou congélateur, veuillez suivre les instructions suivantes pour aider à éviter les accidents.

Informations importantes à connaître pour l'élimination du liquide réfrigérant :

Jeter le réfrigérateur conformément aux règlements fédéraux et locaux. Les liquides réfrigérants doivent être évacués par un technicien en réfrigération accrédité EPA, conformément aux procédures établies.



IMPORTANT : Le C-Pentane est utilisé comme agent gonflant dans la mousse isolante, il s'agit d'un gaz inflammable.

Cet appareil ne contient pas de CFC. Le circuit de réfrigération contient du R600a (HC). Appareils contenant de l'isobutane (R600a) : L'isobutane est un gaz naturel sans impact pour l'environnement, mais inflammable. Il faut donc s'assurer que les tubes du circuit réfrigérant de l'appareil ne sont pas endommagés, particulièrement lorsqu'on vide le circuit réfrigérant.

ENTRETIEN ET RÉPARATION

Nettoyage

⚠ AVERTISSEMENT



Risque d'explosion

Risque d'incendie ou d'explosion.

Fluide frigorigène inflammable utilisé.

Ne pas utiliser d'appareils mécaniques pour dégivrer le réfrigérateur.

Ne pas perforer la tubulure de réfrigération.

Les sections de réfrigération et de congélation se dégivrent automatiquement. Toutefois, nettoyer les deux compartiments environ une fois par mois afin d'éviter toute accumulation d'odeurs. Essuyer les renversements immédiatement.

IMPORTANT :

- Comme l'air circule entre toutes les sections, toutes les odeurs formées dans une section seront transférées à l'autre. Toutes les sections doivent être nettoyées avec soin pour éliminer les odeurs. Pour éviter le transfert d'odeurs et l'assèchement des aliments, envelopper ou recouvrir hermétiquement les aliments.
- Ne pas utiliser de nettoyants puissants ou abrasifs tels que les nettoyants à vitre en atomiseurs, nettoyants à récurer, liquides inflammables, acide chlorhydrique, cires nettoyantes, détergents concentrés, agents de blanchiment ou nettoyants contenant du pétrole sur les portes et la caisse de l'appareil, pièces en plastique, les garnitures intérieures et garnitures de portes ou sur les joints de portes. Ne pas utiliser d'essuie-tout, de tampons à récurer ou un autre outil de nettoyage abrasif.
- Pour les modèles en acier inoxydable, l'acier inoxydable est résistant à la corrosion, mais non anticorrosion. Afin d'éviter l'oxydation de l'acier inoxydable, veiller à ce que les surfaces restent propres en suivant les instructions de nettoyage suivantes.

Nettoyer l'écran d'affichage tactile du tableau de distribution (sur certains modèles) :

1. Pour éviter de modifier involontairement les réglages, s'assurer que le réfrigérateur est débranché ou que le courant électrique est déconnecté avant d'essuyer l'écran.
2. Préparer un mélange avec du détergent doux et de l'eau tiède. Humecter un chiffon doux sans charpie du mélange et essuyer doucement l'écran.

REMARQUE : Ne pas vaporiser ni essuyer de liquides directement sur l'écran, et ne pas saturer le chiffon de produit.

3. Brancher le réfrigérateur ou reconnecter la source de courant électrique.

Nettoyage de l'intérieur :

IMPORTANT : Les tablettes du réfrigérateur équipées d'éclairage DEL par en dessous ne sont pas lavables au lave-vaisselle.

1. Débrancher le réfrigérateur ou déconnecter la source de courant électrique.
2. Laver à la main, rincer et sécher les pièces amovibles et les surfaces internes soigneusement. Utiliser une éponge propre ou un linge doux et un détergent doux dans de l'eau tiède.
3. Brancher le réfrigérateur ou reconnecter la source de courant électrique.

Nettoyage de l'extérieur :

IMPORTANT : Les dommages au revêtement lisse en raison d'un mauvais usage des produits nettoyants ou de l'utilisation de produits nettoyants non recommandés ne sont pas couverts par la garantie. Des instruments aiguisés ou coupants dépareraient le revêtement.

1. Débrancher le réfrigérateur ou déconnecter la source de courant électrique.
2. À l'aide d'une éponge propre ou d'un chiffon doux et d'un détergent doux dans de l'eau tiède, laver, rincer et sécher soigneusement les pièces extérieures en acier inoxydable et surfaces métalliques peintes.

Pour que votre réfrigérateur en acier inoxydable conserve son aspect neuf et pour enlever les petites égratignures ou marques, il est suggéré d'utiliser le nettoyant et poli pour acier inoxydable approuvé par le fabricant. Ce nettoyant doit être utilisé sur les pièces en acier inoxydable uniquement. Consulter le Guide de démarrage rapide pour les informations de commande.

REMARQUE : Lors du nettoyage de l'acier inoxydable, toujours frotter dans le sens du grain afin d'éviter d'érafler la surface.

Veiller à ce que le nettoyant et poli pour acier inoxydable n'entre pas en contact avec les pièces de plastique comme les garnitures, couvercles de distributeurs ou joints de porte. En cas de contact non intentionnel, nettoyer la pièce de plastique avec une éponge et un détergent doux dans de l'eau tiède. Sécher soigneusement avec un chiffon doux.

3. Brancher le réfrigérateur ou reconnecter la source de courant électrique.

Style 1 : Porte lisse/métal peint

UTILISER	NE PAS UTILISER
<ul style="list-style-type: none"> ■ Chiffon doux et propre 	<ul style="list-style-type: none"> ■ Chiffons abrasifs ■ Essuie-tout ou papier journal ■ Tampons de laine d'acier
<ul style="list-style-type: none"> ■ Eau tiède et savonneuse avec détergent doux 	<ul style="list-style-type: none"> ■ Poudres ou liquides abrasifs ■ Nettoyants à vitre en vaporisateur ■ Ammoniaque ■ Nettoyants acides ou à base de vinaigre ■ Nettoyants à four ■ Fluides inflammables

REMARQUE : Les essuie-tout peuvent érafler et ternir le revêtement transparent de la porte peinte. Afin d'éviter tout dommage éventuel, utiliser des chiffons en tissu doux pour polir et essuyer les portes.

Style 2 : Acier inoxydable

UTILISER	NE PAS UTILISER
<ul style="list-style-type: none"> ■ Chiffon doux et propre 	<ul style="list-style-type: none"> ■ Chiffons abrasifs ■ Essuie-tout ou papier journal ■ Tampons de laine d'acier
<ul style="list-style-type: none"> ■ Eau tiède et savonneuse avec détergent doux 	<ul style="list-style-type: none"> ■ Poudres ou liquides abrasifs ■ Ammoniaque ■ Nettoyants à base d'agrumes ■ Nettoyants acides ou à base de vinaigre ■ Nettoyants à four
<ul style="list-style-type: none"> ■ Pour les saletés importantes, utiliser seulement le nettoyant et poli pour acier inoxydable approuvé par le fabricant 	<ul style="list-style-type: none"> ■ Poudres ou liquides abrasifs ■ Ammoniaque ■ Nettoyants à base d'agrumes ■ Nettoyants acides ou à base de vinaigre ■ Nettoyants à four ■ Chiffons abrasifs ■ Essuie-tout ou papier journal ■ Tampons de laine d'acier

REMARQUES :

- En cas de contact non intentionnel, nettoyer la pièce de plastique avec une éponge et un détergent doux dans de l'eau tiède. Sécher soigneusement avec un chiffon doux.
- Ne pas exposer les électroménagers en acier inoxydable à des éléments caustiques ou corrosifs tels que le sel, un niveau élevé d'humidité ou des environnements très humides. Les dommages causés par l'exposition à de tels éléments ne sont pas couverts par la garantie.
- Un nettoyant sous forme liquide ne signifie pas forcément qu'il n'est pas abrasif. Beaucoup de nettoyants liquides formulés pour nettoyer le carrelage et autres surfaces lisses en douceur peuvent tout de même endommager l'acier inoxydable.
- Lors du nettoyage de l'acier inoxydable, toujours frotter dans le sens du grain afin d'éviter d'érafler la surface.
- L'acide citrique décolore l'acier inoxydable de façon définitive. Afin d'éviter d'endommager le fini en acier inoxydable du réfrigérateur :

Ne pas laisser les produits suivants pendant une durée prolongée sur le revêtement :

- Moutarde
- Jus de tomates
- Sauce marinara
- Sauces à base d'agrumes
- Produits à base d'agrumes

Nettoyage du condensateur

⚠ AVERTISSEMENT



Risque d'explosion

Risque d'incendie ou d'explosion causé par la perforation de la tubulure de réfrigération;

suivre avec attention les instructions de manipulation.

Fluide frigorigène inflammable utilisé.

Le condensateur n'a pas besoin d'être nettoyé souvent dans des conditions de fonctionnement domestique normales. Si l'environnement est particulièrement grasseux, poussiéreux ou s'il y a des animaux domestiques dans la maison, le condensateur devrait être nettoyé tous les 6 mois pour assurer une efficacité maximum.

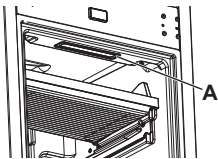
Utiliser un aspirateur à brosse douce pour nettoyer la grille, les endroits ouverts derrière la grille et la surface à l'avant du condensateur.

REMARQUE : Communiquer avec le service s'il est impossible de nettoyer le condensateur.

Lampes

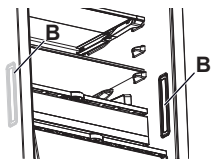
IMPORTANT : Les lampes dans le réfrigérateur et le congélateur utilisent la technologie à DEL et n'ont pas besoin d'être remplacées. Si les lampes ne s'allument pas lorsqu'on ouvre la porte, appeler les numéros fournis pour obtenir de l'aide ou un dépannage. Consulter le Guide de démarrage rapide pour les coordonnées.

Système d'éclairage (selon le modèle)



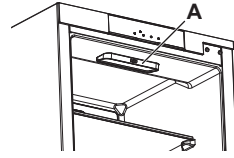
A. Source d'éclairage de classe G

Ce produit comporte une source d'éclairage de la classe G d'économie d'énergie.



B. Source d'éclairage de classe F

Ce produit comporte 2/4 sources d'éclairage latérales de classe F d'économie d'énergie et une source d'éclairage supérieure de classe G.



A. Source d'éclairage de classe G

Ce produit comporte une source d'éclairage supérieure de la classe G d'économie d'énergie.

Précautions à prendre avant les vacances ou le déménagement

Vacances

Si le réfrigérateur est laissé en marche pendant une absence : Consommer toutes les denrées périssables et congeler les autres articles.

Si l'utilisateur choisit d'arrêter le réfrigérateur avant son absence :

1. Enlever tous les aliments du réfrigérateur.
2. Éteindre la/les commande(s) de température. Voir le « Guide de démarrage rapide ».
3. Nettoyer le réfrigérateur, l'essuyer et bien le sécher.
4. À l'aide d'un ruban adhésif, placer des blocs de caoutchouc ou de bois dans la partie supérieure de chaque porte de façon à ce qu'elles soient suffisamment ouvertes pour permettre à l'air d'entrer et d'éviter l'accumulation d'odeur ou de moisissure.

Déménagement

En cas de déménagement et de déplacement du réfrigérateur dans une nouvelle habitation, suivre ces étapes pour préparer le déménagement.

1. Si le réfrigérateur est équipé d'une machine à glaçons automatique :
 - Fermer l'approvisionnement en eau de la machine à glaçons au moins un jour à l'avance.
 - Débrancher la canalisation d'eau de l'arrière du réfrigérateur.
 - Lorsque la dernière quantité de glaçons est déposée, soulever le bras de commande d'arrêt métallique à la position Off (arrêt/position haute) ou placer le commutateur sur Off (arrêt), selon le modèle.
2. Retirer tous les aliments du réfrigérateur et placer tous les aliments congelés dans de la neige carbonique.
3. Vider le bac à glaçons.
4. Éteindre la/les commande(s) de température. Voir le « Guide de démarrage rapide ».
5. Débrancher le réfrigérateur.
6. Bien nettoyer, essuyer et sécher.
7. Retirer toutes les pièces amovibles, bien les envelopper et les attacher ensemble avec du ruban adhésif pour qu'elles ne bougent et ne s'entrechoquent pas durant le déménagement.
8. Fermer les portes à l'aide de ruban adhésif et fixer le cordon d'alimentation à la partie arrière du réfrigérateur.

Une fois arrivé à votre nouveau domicile, remettre tout en place et consulter la section des « Instructions d'installation » pour des instructions sur la préparation de l'appareil.

Tablettes du réfrigérateur et compartiment de congélation

Le réfrigérateur possède différentes tablettes :

- Tablette en verre
- Tablette repliable*
- Balconnets
- Tablette à bouteilles

REMARQUE : Les balconnets et tablettes peuvent être enlevés. Les caractéristiques et données techniques peuvent varier d'un modèle à l'autre.

Informations importantes à propos des tablettes et des couvercles en verre :

Ne pas nettoyer les tablettes ou les couvercles de verre avec de l'eau tiède lorsqu'ils sont froids. Les tablettes et couvercles peuvent se briser s'ils sont exposés à un changement de températures ou impact soudain, tel qu'une chute. Le verre trempé est conçu pour se briser en de multiples petits morceaux de la taille de gravillons. Ceci est normal. Les tablettes en verre et les couvercles sont lourds. Employer les deux mains lorsqu'on les retire afin d'éviter de les faire tomber.

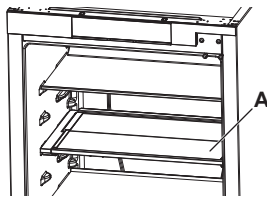
Les tablettes de réfrigérateur sont réglables pour s'adapter aux besoins de rangement de l'utilisateur.

Afin de pouvoir trouver plus facilement l'article recherché, on peut remiser ensemble des aliments semblables dans le réfrigérateur et ajuster les tablettes pour les adapter aux différentes tailles d'articles. Ceci réduira également la durée d'ouverture de la porte du réfrigérateur et permettra d'économiser de l'énergie.

Tablette repliable*

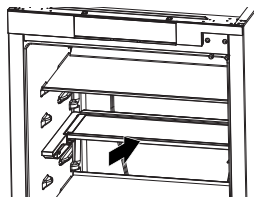
Cette tablette peut être désactivée de 3 différentes façons :

1. **Plein profondeur :** Toute la surface peut être utilisée.

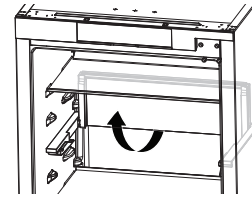


A. Tablette repliable

2. **Demi-profondeur :** Pour placer la tablette à la moitié de la profondeur, soulever légèrement la partie avant, puis la tirer vers l'intérieur. La demi-profondeur peut être utilisée pour créer de l'espace pour placer des articles plus grands sous la tablette tout en utilisant la partie arrière de la tablette.



3. **Relevée :** Pour relever la tablette, commencer par placer la moitié de la demi-profondeur, puis rabaisser pour utiliser la tablette en demi-profondeur ou pleine de profondeur. Ceci permet de créer plus d'espace sous la tablette pour les grands articles volumineux.



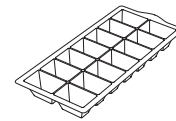
Compartiment de congélation

Le compartiment du congélateur comprend :

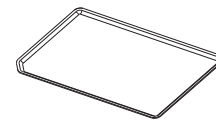
1. **Glaçons* :** Remplir au 2/3 d'eau le bac à glaçons et le placer dans le compartiment du congélateur.

IMPORTANT : Ne pas utiliser d'objet coupant ou pointu pour retirer les glaçons du bac.

La quantité d'aliments pouvant être congelés sur une période de 12 heures et 24 heures est indiquée sur la plaque signalétique.



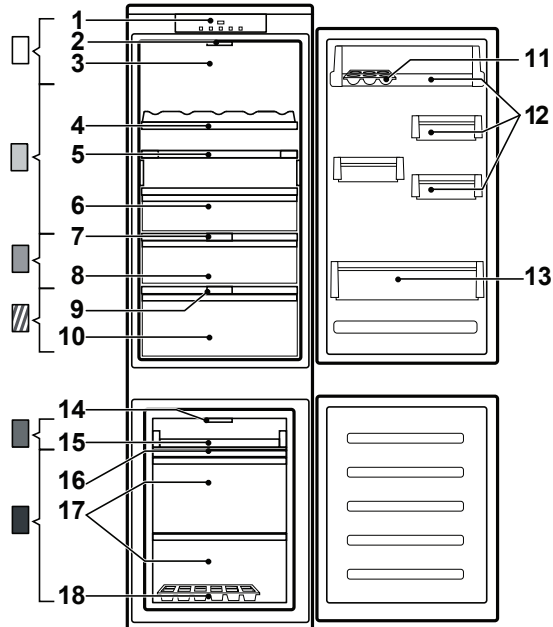
2. **Plateau à accès facile :** Le plateau du congélateur est pratique pour facilement accéder aux produits les plus utilisés, congeler ou simplement ranger les restants et les petits articles.
3. **Panneau du fabricant* :** Le panneau métallique gèle plus rapidement les aliments. Soulever le panneau métallique à partir de l'angle gauche pour le retirer et le nettoyer.



*Sur certains modèles

EXIGENCES D'INSTALLATION

Pièces et caractéristiques



Compartiment de réfrigération

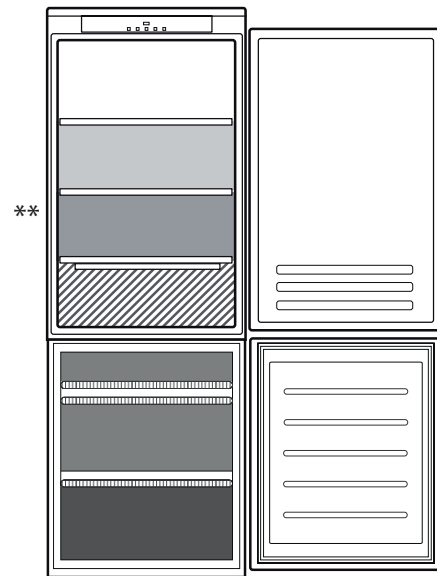
1. Tableau de commande
2. Lampe à DEL
3. Multiflow (multiflux)
4. Casier à bouteilles*
5. Tablette en verre
6. Tablette repliable*
7. Bouton multitempérature*
8. Tiroir multitempérature*
9. Boutons de contrôle de l'humidité*
10. Bac à légumes et à fruits

11. Compartiment à œufs
12. Balconnets
13. Tablette à bouteilles

Compartiment de congélation

14. Lampe à DEL*
15. Tablette à accès facile
16. Panneau du fabricant*
17. Tiroirs du milieu et du bas (zone de rangement pour aliments gelés et surgelés)
18. Bac à glaçons

Zones de refroidissement du réfrigérateur



Zone de refroidissement mineure

Suggérée pour ranger les fruits tropicaux, les boîtes, les boissons, les œufs, les sauces, les cornichons, le beurre et la confiture.



Zones de refroidissement

Suggérée pour ranger le fromage, le lait, les produits laitiers, la charcuterie et le yogourt.



Zone la plus froide**

Suggérée pour ranger les viandes froides, les desserts, la viande et le poisson.



Bac à légumes et à fruits



Tiroirs du congélateur



Tiroir de zones de refroidissement (zone Max cool [refroidissement maximal])

Suggérée pour congeler des aliments frais/cuits.

**Pour les modèles avec COMPARTIMENT « ZONE 0° », la « zone la plus froide » est mise en évidence dans la légende

Compartiment de réfrigération

Le compartiment de réfrigération permet de ranger des boissons et des aliments frais. Le compartiment de réfrigération se dégivre automatiquement. La présence occasionnelle de gouttes d'eau sur la paroi intérieure arrière du compartiment indique la phase de dégivrage automatique. L'eau de dégivrage est acheminée dans le drain, puis amassée dans un contenant où elle s'évapore.

REMARQUE : La température ambiante, la fréquence d'ouverture des portes et la position de l'appareil peuvent affecter les températures internes des deux compartiments. Régler la température en tenant compte de ces facteurs. Dans des conditions de grande humidité, de la condensation peut se produire dans le compartiment de réfrigération, particulièrement sur les tablettes en verre. Dans cette situation, il est recommandé de fermer les récipients contenant du liquide (p. ex., un pot de bouillon), d'emballer les aliments à forte teneur en eau (p. ex., les légumes) et de mettre en marche le ventilateur, s'il y en a un. Les tiroirs, balconnets et tablettes peuvent tous être enlevés.

Distribution d'air Multiflow

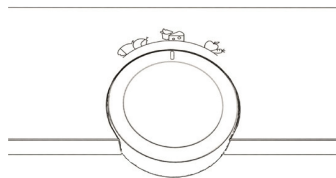
Le système Multiflow aide à distribuer de façon uniforme l'air froid dans la cavité pour préserver de façon plus efficace les aliments. Les aliments peuvent être placés sur toutes les tablettes de l'appareil.

REMARQUE : Ne pas obstruer les événements de distribution de l'air qui assurent un mouvement libre.

Zone multitempérature*

Il y a 3 positions de sélections de température pour conserver les viandes/poissons, produits laitiers et fruits/légumes, ce qui offre de l'espace de rangement supplémentaire pour vos légumes frais.

- **Position de gauche :** viande et poisson
- **Position du milieu :** produits laitiers (fromages et yogourt)
- **Position de droite :** fruits et légumes

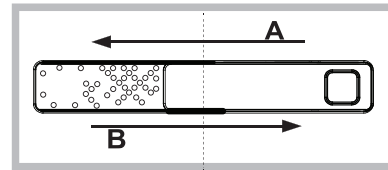


Pour obtenir le bon fonctionnement du tiroir à zone multitempérature, il est nécessaire que :

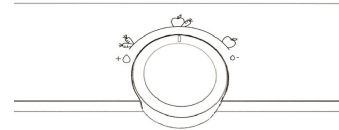
- L'appareil soit en marche
- L'une des fonctions spéciales suivantes ne soit pas sélectionnée : Standby (attente), Cooling-Off (refroidissement), Vacation (vacances) (dans ce cas, retirer les aliments contenus dans le tiroir).

Humidity Control (contrôle de l'humidité)*

Ouvrir le régulateur d'humidité (position B) pour ranger des aliments, comme des fruits, dans un environnement moins humide ou le fermer (position A) pour ranger des aliments, comme des légumes, dans un environnement plus humide.



Tourner le bouton vers la gauche pour ranger des légumes (qui nécessitent un environnement plus humide), tourner le bouton vers la droite pour ranger des fruits (qui nécessitent un environnement moins humide) et placer le bouton au centre pour ranger des fruits et des légumes.



REMARQUE : Éviter de conserver des aliments non emballés au contact direct de surfaces internes des compartiments de réfrigération et de congélation.

Exigences d'emplacement

⚠ AVERTISSEMENT



Risque d'explosion

Garder les matières et les vapeurs inflammables, telles que l'essence, à l'écart de l'appareil.

Utiliser un produit de nettoyage ininflammable.

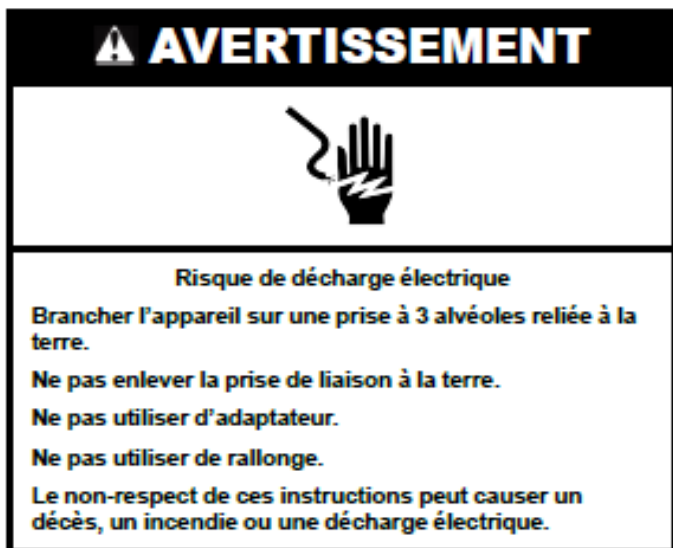
Le non-respect de ces instructions peut causer un décès, une explosion ou un incendie.

Le plancher doit pouvoir supporter le poids du réfrigérateur, soit plus de 600 lb (272 kg) incluant les panneaux de porte et le contenu du réfrigérateur.

Chaque réfrigérateur doit être installé dans un cadre d'armoire différent.

REMARQUE : Ce réfrigérateur est conçu pour être utilisé dans un endroit où la température est comprise entre un minimum de 13 ° C (55 ° F) et un maximum de 43 ° C (110 ° F). La plage de température ambiante idéale pour un rendement optimal est comprise entre 15 ° C (60 ° F) et 32 ° C (90 ° F). Respecter cette plage de température permet aussi de réduire la consommation d'électricité et d'optimiser l'efficacité du refroidissement. Il est recommandé de ne pas installer le réfrigérateur près d'une source de chaleur comme un four ou un radiateur.

Spécifications électriques



Avant de placer le réfrigérateur à son emplacement final, il est important de s'assurer d'avoir la connexion électrique appropriée.

Si le cordon d'alimentation est endommagé, il doit être remplacé par le fabricant, son agent de service ou toute autre personne également qualifiée. Ne pas utiliser un cordon craquelé ou qui présente des dommages d'abrasion sur la gaine, la fiche ou le connecteur.

Raccordement électrique recommandé

Il doit être possible de couper l'alimentation électrique de l'appareil en le débranchant si la prise est accessible ou à l'aide d'un interrupteur bipolaire accessible monté en amont de la prise secteur en conformité avec les normes de sécurité nationales. L'appareil doit être mis à la terre en conformité avec les normes de sécurité nationales. Ne pas utiliser de rallonge.

IMPORTANT : Si ce produit est connecté à une prise protégée par un disjoncteur de fuite à la terre, un déclenchement intempestif peut se produire et causer une perte de refroidissement. La qualité et la saveur des aliments risquent d'être affectées. Si un déclenchement intempestif se produit et si les aliments semblent de piètre qualité, jeter les aliments.

REMARQUE : Avant d'installer, de nettoyer un quelconque élément, de remplacer une ampoule d'éclairage, désactiver le refroidissement ou placer la commande (du thermostat, réfrigérateur ou congélateur selon le modèle) à Off (arrêt). Sur les modèles avec commande de température numérique, appuyer sur le symbole moins jusqu'à ce qu'un tiret (-) apparaisse sur l'affichage du réfrigérateur et du congélateur. Déconnecter le réfrigérateur de la source de courant électrique. Lorsque vous avez terminé, reconnecter le réfrigérateur à la source d'alimentation électrique et réactiver le refroidissement ou replacer la commande (du thermostat, réfrigérateur ou congélateur selon le modèle) au réglage désiré. Voir le « Guide de démarrage rapide ».

Dimensions de l'ouverture

Ce réfrigérateur est conçu pour être installé à l'intérieur d'un encadrement qui se situe entre les armoires de cuisine. L'intérieur de l'encadrement doit avoir un minimum de 69 ¹⁵/₁₆ po (1776 mm) de haut, 21 ¹⁵/₁₆ po (557 mm) de large et 21 ⁷/₈ po (555 mm) de profondeur (avant-arrière).

Pour une aération adéquate, assurer un espace libre à l'arrière du réfrigérateur, ainsi qu'au-dessous et au-dessus de l'encadrement. L'air pénètre en dessous du réfrigérateur et quitte par-dessus le réfrigérateur.

Laisser un espace minimum de 2 po (50 mm) au-dessus de l'encadrement. La profondeur minimale de la base de l'encadrement est de 20 ⁷/₁₆ po (520 mm) (avant et arrière).

La base peut être conçue comme l'on désire, mais doit correspondre à la hauteur des plinthes d'armoire environnantes. Un évent avec une ouverture d'au moins 31 po² (200 cm²) est requis pour une aération. Si l'espace entre le haut de l'encadrement et le plafond est vide, prévoir un minimum de 7 ⁷/₈ po (200 mm) au-dessus du réfrigérateur. Si l'espace entre le haut de l'encadrement et le plafond est enfermé comme faisant partie des armoires environnantes, un évent avec une ouverture d'au moins 31 po² (200 cm²) est requis.

La partie inférieure de l'évent doit être d'un minimum de 7 ⁷/₈ po (200 mm) au-dessus du réfrigérateur.

REMARQUE : Les couvertures d'évent ne sont pas fournies avec l'appareil.

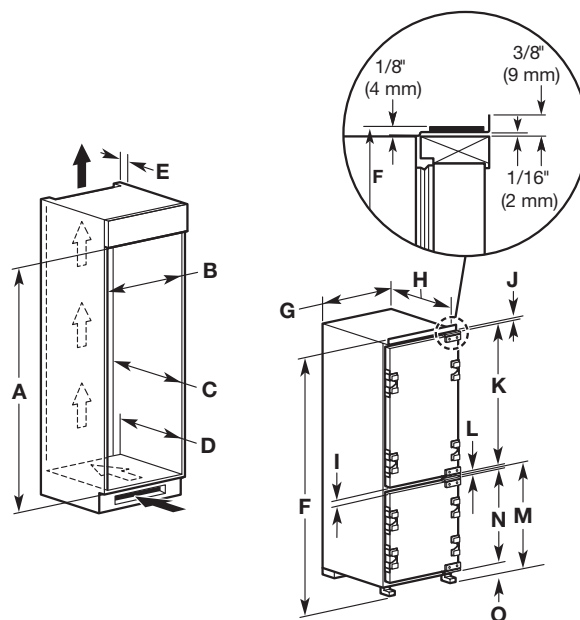
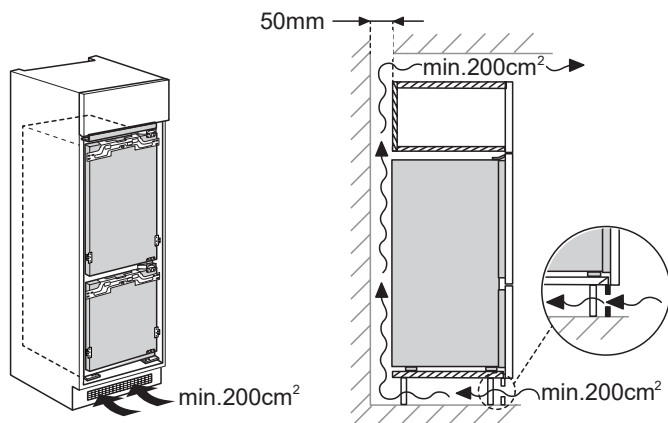


Tableau de dimensions	
A	69 ¹⁵ / ₁₆ po (1776 mm)
B	22 ¹ / ₁₆ po (560 mm)
C	Minimum de 21 ⁷ / ₈ po (555 mm)
D	Minimum de 20 ⁷ / ₁₆ po (520 mm)
E	Minimum de 2 po (50 mm)
F	69 ¹¹ / ₁₆ po (1770 mm)
G	21 ¹⁵ / ₁₆ po (557 mm)

H	21 ⁷ / ₁₆ po (545 mm)
I	2 ¹⁵ / ₁₆ po (75 mm)
J	1 ¹ / ₈ po (28 mm)
K	40 ⁵ / ₁₆ po (1024,5 mm)
L	13/16 po (20 mm)
M	27 ¹¹ / ₁₆ po (703,5 mm)
N	27 po (685,5 mm)
O	5/16 po (8 mm)



Dimensions du produit

L'appareil fait 69 ¹¹/₁₆ po (1770 mm) de haut 21 ¹⁵/₁₆ po (557 mm) de large et 21 ⁷/₁₆ po (545 mm) de profondeur (avant-arrière).

La porte du réfrigérateur (y compris les charnières [x2]) fait 40 ⁵/₁₆ po (1024,5 mm) de haut. La porte du congélateur (y compris les charnières [x2]) fait 27 po (685,5 mm) de haut.

L'espace entre les portes du réfrigérateur et du congélateur est de 2 ¹⁵/₁₆ po (75 mm). L'espace entre les charnières de porte est de 13/16 po (20 mm). Une prise électrique à trois broches avec mise à la terre doit être placée à moins de 4 po (101 mm) des armoires de droite ou du panneau d'extrémité de droite. Voir la section « Spécifications électriques » pour plus de renseignements.

INSTRUCTIONS D'INSTALLATION

Déballage du réfrigérateur

⚠ AVERTISSEMENT

Risque de poids excessif

Utiliser deux personnes ou plus pour déplacer et installer l'appareil.

Le non-respect de cette instruction peut causer une blessure au dos ou d'autres blessures.

IMPORTANT : Pour éviter un danger provoqué par l'instabilité de l'appareil, ce dernier doit être fixé au meuble selon les instructions du fabricant et le meuble doit être fixé au mur.

Livraison du réfrigérateur

- Si l'ouverture est inférieure ou égale à 36 po (914 mm), il faudra enlever les portes, tiroirs et charnières.
- Pousser le chariot avec le réfrigérateur de côté pour toutes les ouvertures de porte.

Retrait des matériaux d'emballage

- Enlever tout résidu de ruban adhésif et de colle des surfaces avant de mettre en marche votre tiroir de réfrigération. Frotter une petite quantité de savon liquide à vaisselle sur l'adhésif avec les doigts. Rincer à l'eau tiède et sécher.
- Ne pas utiliser d'instruments coupants, d'alcool à friction, de liquides inflammables ou de nettoyeurs abrasifs pour enlever le ruban adhésif ou la colle. Ces produits peuvent endommager la surface du réfrigérateur. Pour plus de renseignements, voir la section « Sécurité du réfrigérateur ».
- Éliminer/recycler tous les matériaux d'emballage.
- Une fois l'appareil installé, le matériel d'emballage à recycler (plastique, pièces en polystyrène, etc.) doit être placé hors de la portée des enfants.

Lors du déplacement du réfrigérateur :

Ce réfrigérateur est lourd. Lors du déplacement de ce réfrigérateur pour un nettoyage ou un entretien, veiller à recouvrir le plancher d'un carton ou panneau de fibre dur pour éviter de l'endommager. Toujours tirer le réfrigérateur tout droit lors du déplacement. Ne pas incliner le réfrigérateur d'un côté ou de l'autre ni le « faire marcher » en essayant de le déplacer, car le sol pourrait être endommagé.

Nettoyage avant utilisation

Après avoir enlevé tous les matériaux d'emballage, nettoyer l'intérieur du réfrigérateur avant de l'utiliser. Voir les instructions de nettoyage dans « Entretien du réfrigérateur. »

Informations importantes à propos des tablettes et des couvercles en verre :

Ne pas nettoyer les tablettes ou les couvercles de verre avec de l'eau tiède lorsqu'ils sont froids. Les tablettes et couvercles peuvent se briser s'ils sont exposés à un changement de températures ou impact soudain, tel qu'une chute. Le verre trempé est conçu pour se briser en de multiples petits morceaux de la taille de gravillons. Ceci est normal. Les tablettes en verre et les couvercles sont lourds. Employer les deux mains lorsqu'on les retire afin d'éviter de les faire tomber.

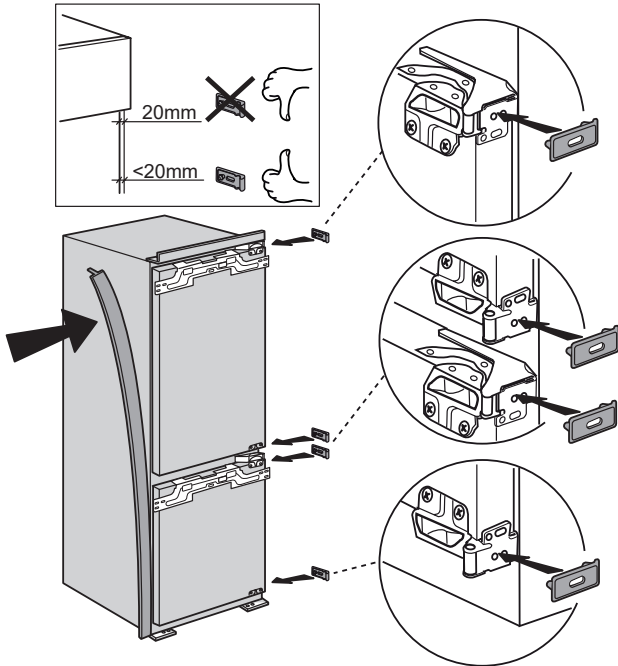
Préparation de l'installation du réfrigérateur

Avant d'installer le réfrigérateur dans une armoire, suivre les étapes suivantes :

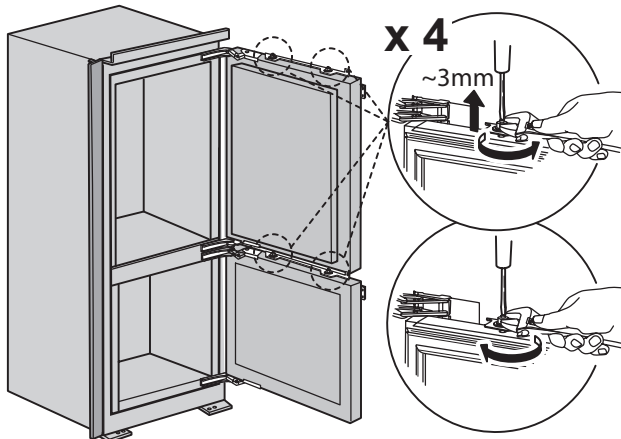
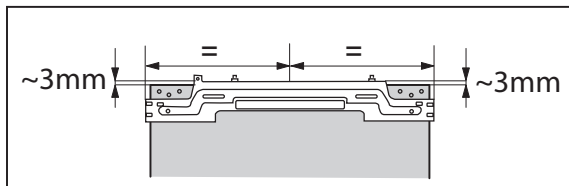
1. Poser le ruban d'isolation sur le côté du réfrigérateur comme illustré.

Fixer aussi 4 capuchons de support sur les charnières de porte.

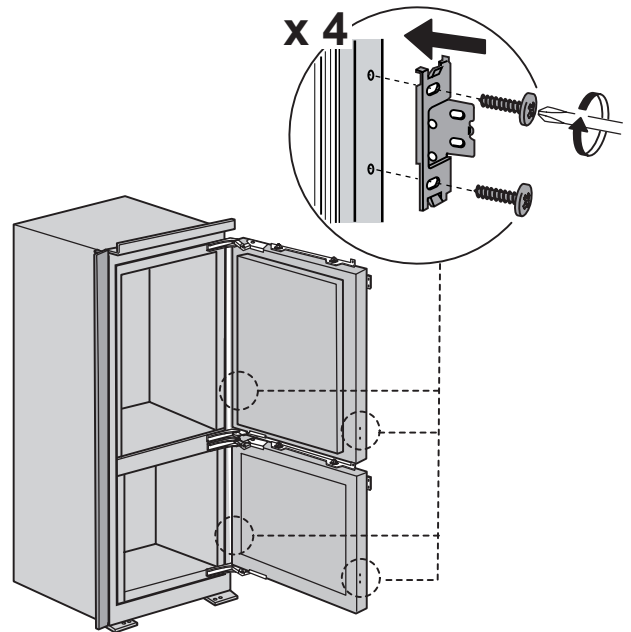
IMPORTANT : L'épaisseur du mur de l'armoire doit être inférieure à 20 mm pour bien placer les capuchons.



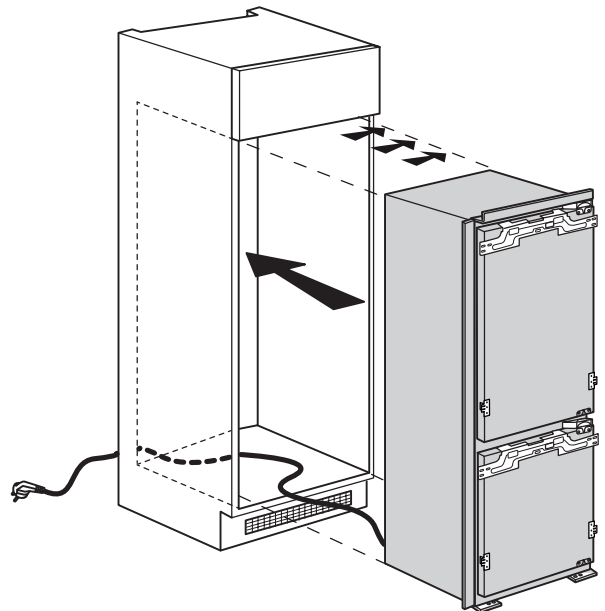
2. Desserrer les 4 vis du support en dévissant dans le sens antihoraire avec un tournevis. Tirer le support de 3 mm vers le haut, puis serrer les vis pour le fixer en place.



3. Fixer les 4 supports sur les côtés du réfrigérateur en utilisant un tournevis cruciforme.



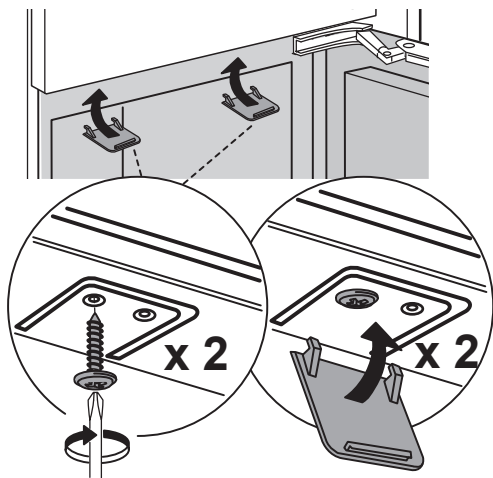
4. Passer le câblage à partir du trou présent sur le côté arrière de l'armoire.
5. Finalement, faire entrer le réfrigérateur dans l'armoire.



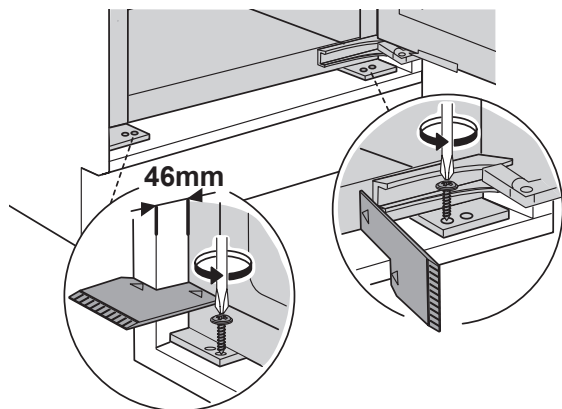
Installation de l'armoire du réfrigérateur

Suivre les étapes suivantes pour fixer le réfrigérateur avec l'armoire.

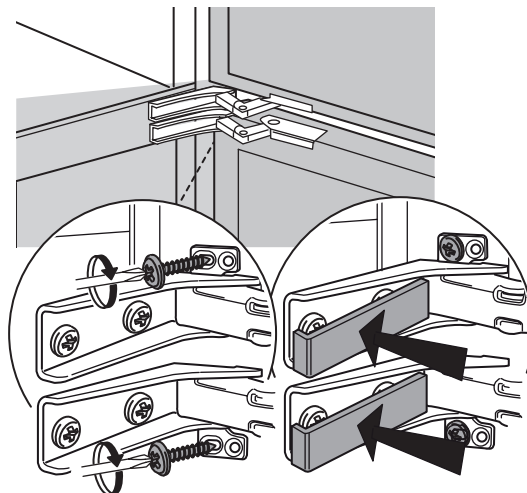
1. Fixer le réfrigérateur à la partie supérieure de l'armoire à l'aide de 2 vis.
Mettre en place le capuchon de vis.



2. Utiliser un appui d'angle dans le bas pour positionner le réfrigérateur. Fixer ensuite le réfrigérateur à l'armoire avec 2 vis.



3. Installer les charnières du milieu, du haut et du bas sur le réfrigérateur, puis placer les capuchons de vis.



Installation et alignement du panneau de porte

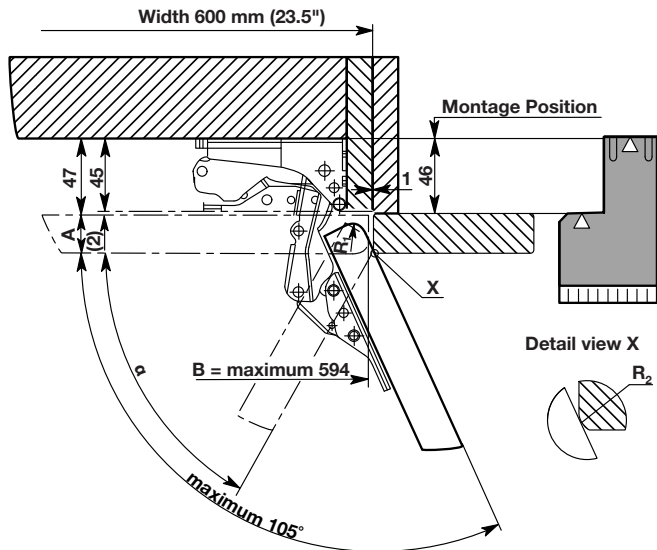
Exigences de panneaux de porte (chaque porte)

Poids maximum : 26,5 lb (12 kg)

Dimensions minimales des panneaux : Panneau de porte du réfrigérateur : 42 1/8 po (1071,5 mm) x 23 1/4 po (590 mm) x 3/4 po (20 mm)

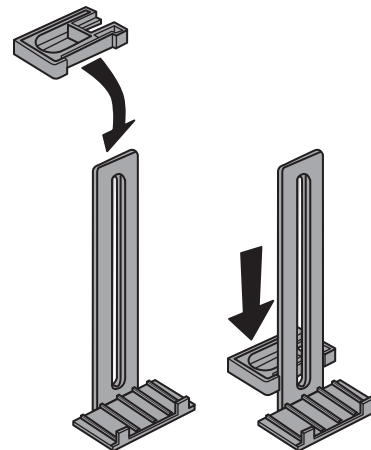
Panneau de porte du congélateur : 27 5/8 po (701,5 mm) x 23 1/4 po (590 mm) x 3/4 po (20 mm).

Pour les dimensions maximum, consulter le schéma suivant.



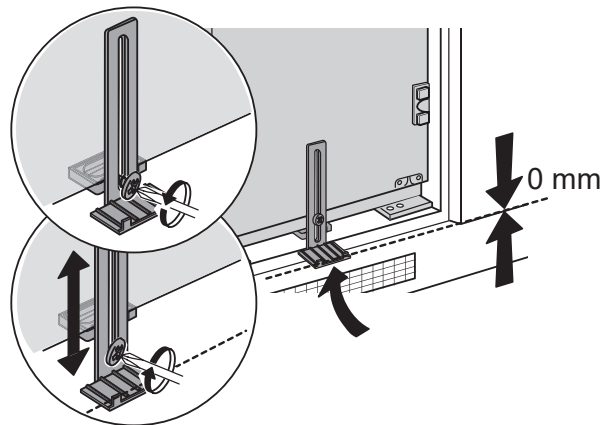
Installation du panneau de porte

Assembler l'outil d'alignement du panneau en insérant le bras long de la pièce principale dans la découpe de la plus petite pièce, et l'ajuster de sorte que la base est à la hauteur appropriée, alignée avec la base des portes d'armoires environnantes. À l'aide d'un tournevis, serrer la vis de 9,5 mm de l'outil d'alignement du panneau pour le maintenir en place.



Installation du panneau de porte du congélateur

1. Monter l'outil d'alignement du panneau sur la porte du congélateur. Aligner la pièce la plus petite à l'aide des vis sur le bas de la porte, et la glisser vers la gauche.

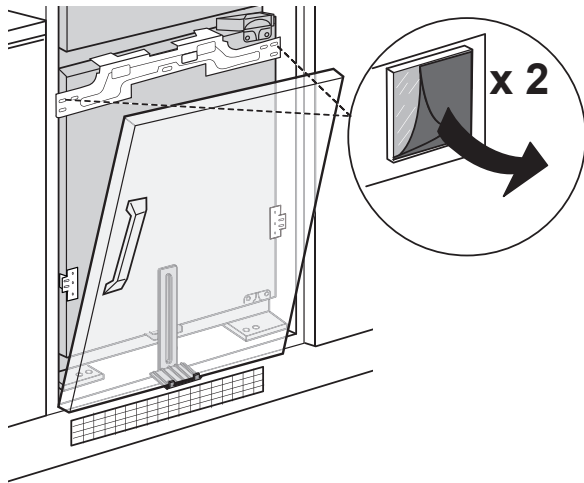


Épaisseur des murs de l'armoire de 16 mm						
minimum R1 [mm]		B [mm]				
		594	593	592	591	590
A [mm]	16	0	0	0	0	0
	17	0	0	0	0	0
	18	0	0	0	0	0
	19	0	0	0	0	0
	20	0	0	0	0	0
	21	0,4	0	0	0	0
	22	2,6	2	1,3	0,7	0
	23	5	4,4	3,8	3,2	2,6
24	7,5	7	6,5	6	5,5	

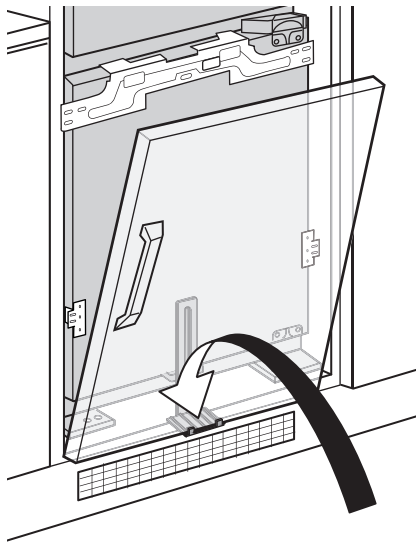
Comment lire ce schéma :

Par exemple, un panneau de porte d'une largeur « B » de 593 mm et d'une épaisseur « A » de 22 mm a besoin d'un rayon « R1 » minimum de 2 mm.

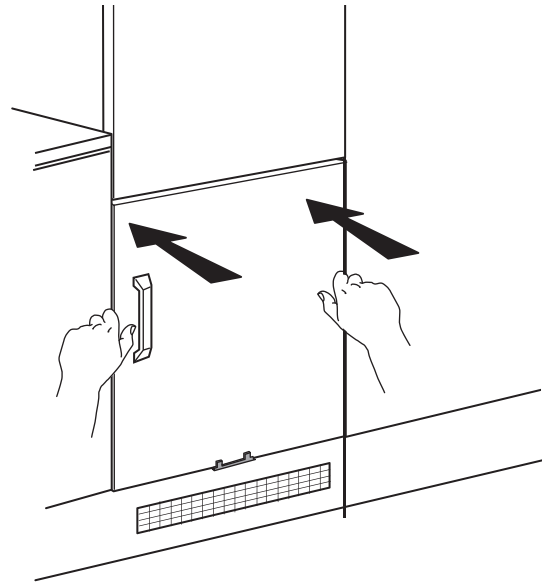
2. Retirer les couvertures de papier de protection des coussins adhésifs sur chaque support de panneau de porte du congélateur. Il y a deux coussins adhésifs sur chacun des quatre supports de panneaux.



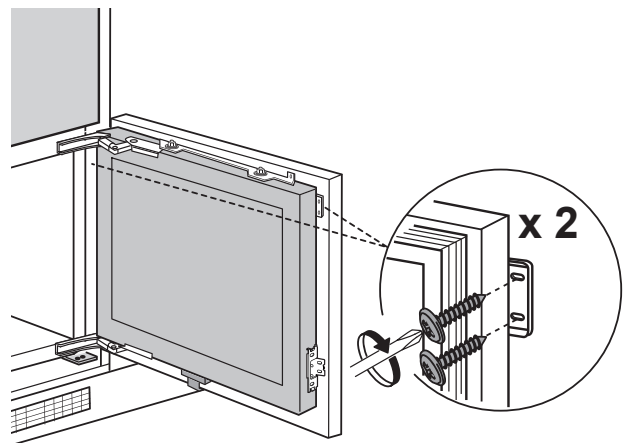
3. À un angle, reposer la base du panneau de porte du congélateur sur l'outil d'alignement du panneau.



4. Pencher lentement le panneau pour le fixer aux coussins adhésifs sur les supports de panneau. Appuyer fermement contre les coins de la porte pour s'assurer que le panneau est correctement fixé aux coussins adhésifs.

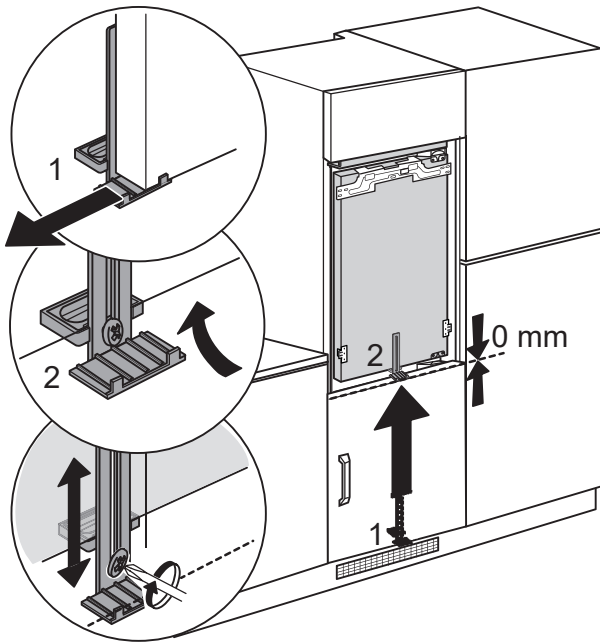


5. Fixer la porte du congélateur avec le panneau en utilisant seulement les 4 vis du haut. Desserrer la vis de l'outil d'alignement du panneau et retirer l'outil de la porte du congélateur en le faisant glisser vers la droite puis le retirer de la porte.

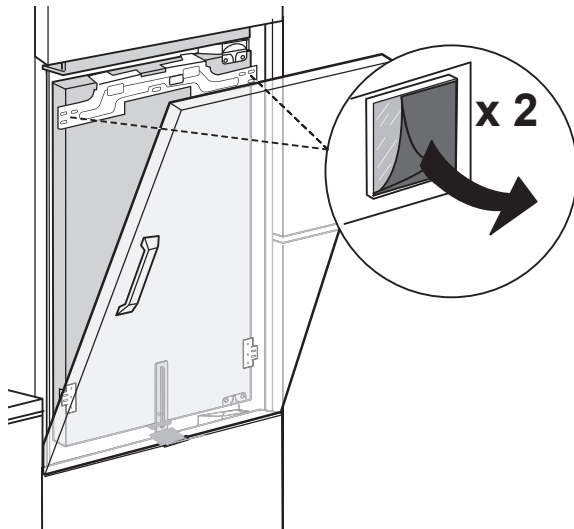


Installation du panneau de porte du réfrigérateur

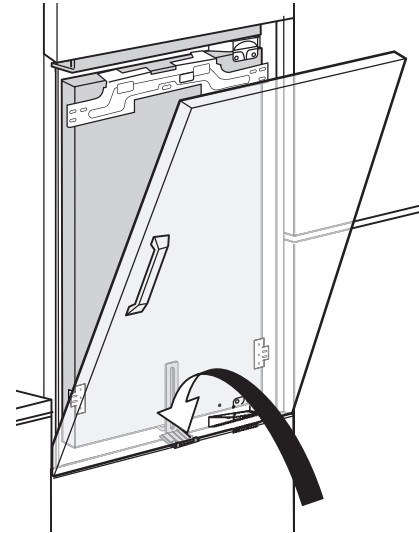
1. Monter l'outil d'alignement du panneau sur la porte du réfrigérateur. Aligner la pièce la plus petite à l'aide des vis sur le bas de la porte, et la glisser vers la gauche.



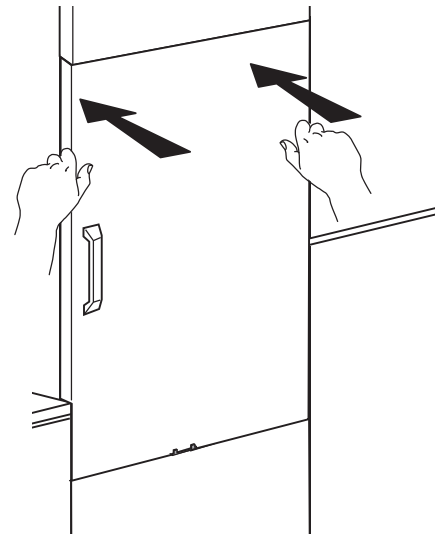
2. Retirer les couvertures de papier de protection des coussins adhésifs sur chaque support de panneau de porte du réfrigérateur. Il y a deux coussins adhésifs sur chacun des quatre supports de panneaux.



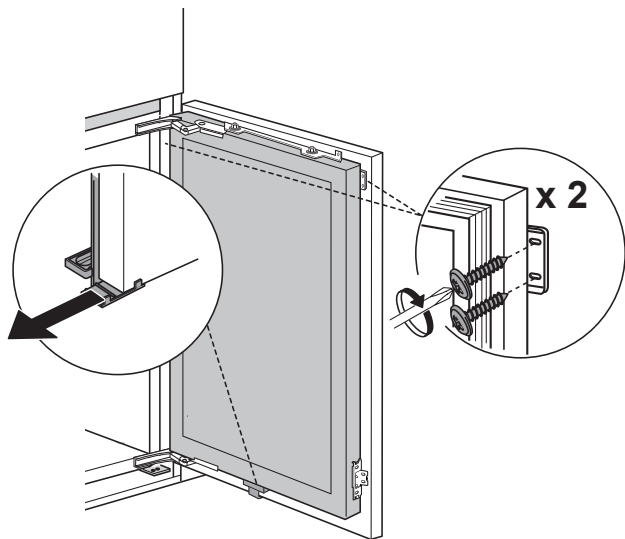
3. À un angle, reposer la base du panneau de porte du réfrigérateur sur l'outil d'alignement du panneau.



4. Pencher lentement le panneau pour le fixer aux coussins adhésifs sur les supports de panneau. Appuyer fermement contre les coins de la porte pour s'assurer que le panneau est correctement fixé aux coussins adhésifs.

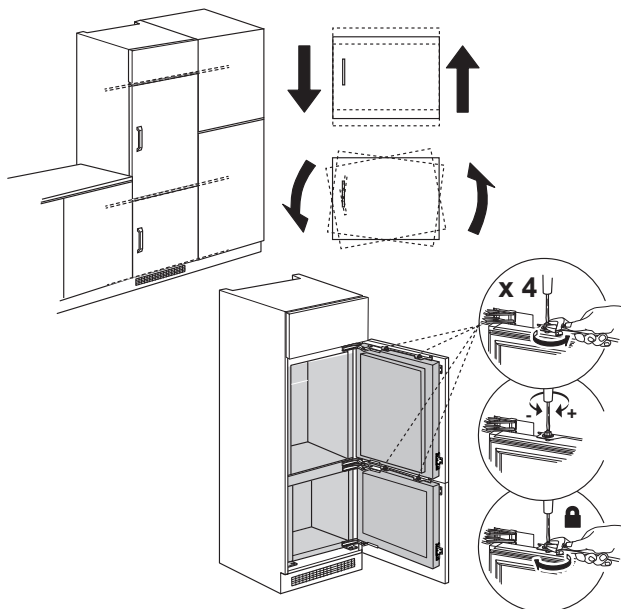


- Fixer la porte du réfrigérateur avec le panneau en utilisant seulement les 4 vis du haut. Desserrer la vis de l'outil d'alignement du panneau et retirer l'outil de la porte du réfrigérateur en le faisant glisser vers la droite, puis le retirer de la porte.

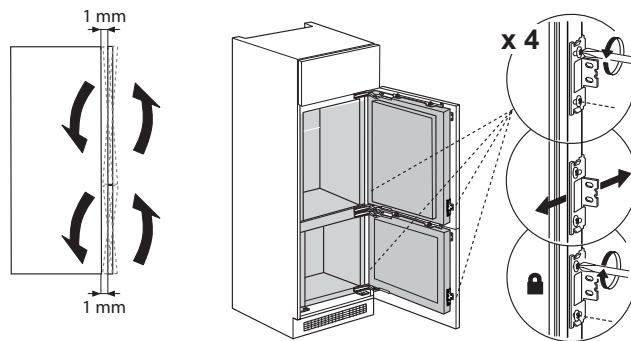


Alignement du panneau de porte

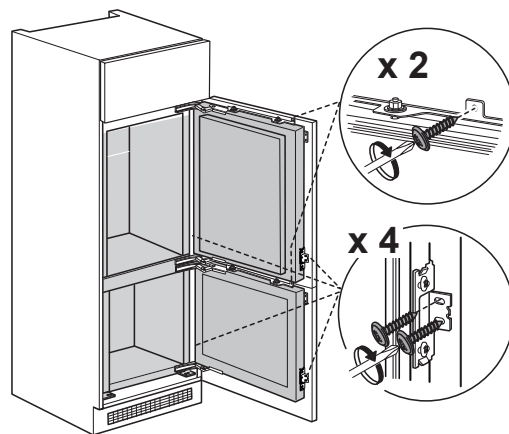
- Aligner horizontalement les panneaux de porte du congélateur et du réfrigérateur en ajustant les 4 vis illustrées. Une fois l'ajustement terminé, serrer les vis.



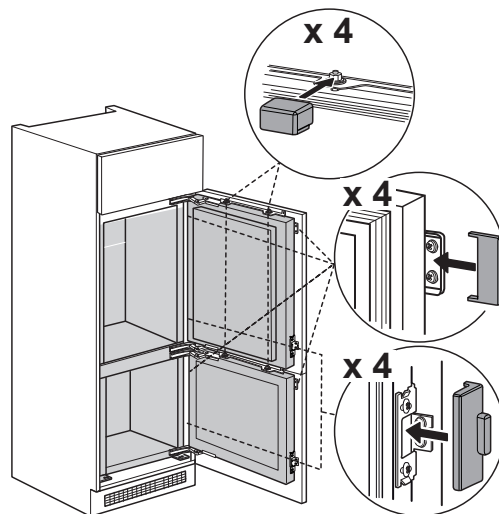
- Aligner verticalement les panneaux de porte du congélateur et du réfrigérateur en ajustant les supports latéraux à l'aide d'un tournevis pour qu'ils soient à moins de 1 mm. Une fois l'ajustement terminé, serrer les vis.



- Une fois l'ajustement terminé, fixer les supports restants.

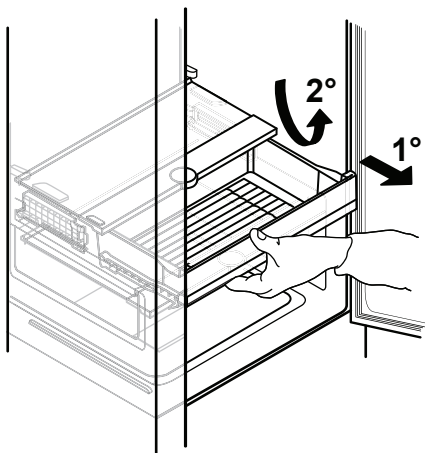
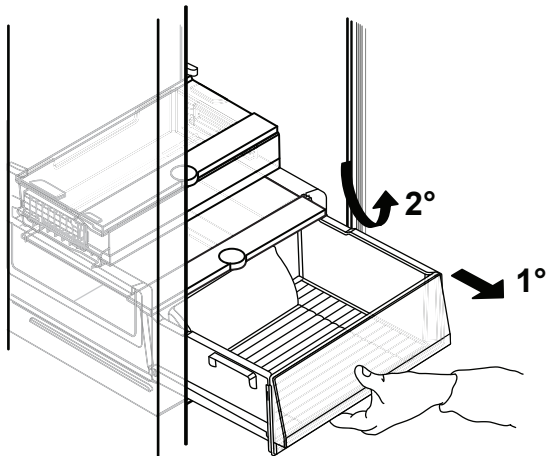


- Placer les capuchons de vis sur tous les supports des portes du réfrigérateur et du congélateur.

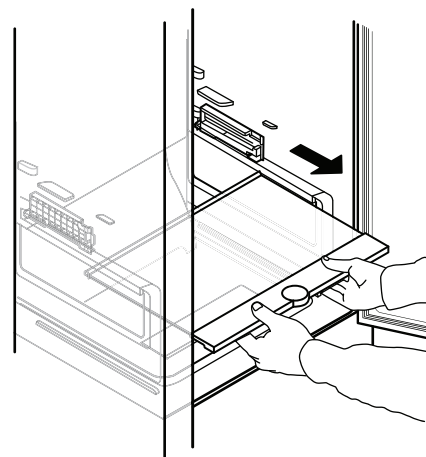
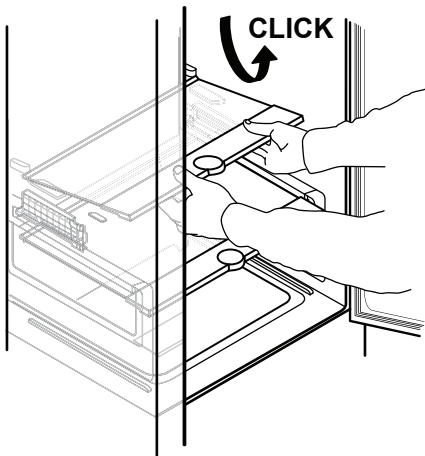


Enlever et réinstaller les tiroirs

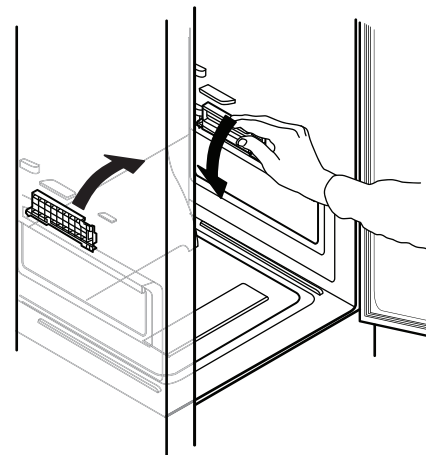
1. Soulever le tiroir de congélation de 1° et le couvercle du tiroir de 2°. Retirer ensuite les deux du réfrigérateur.



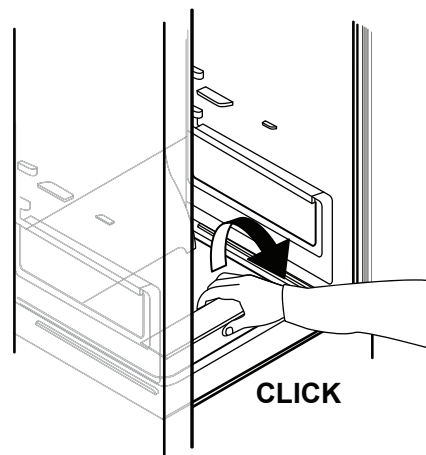
2. Un son de « CLIC » devrait se faire entendre pendant qu'on soulève le couvercle du tiroir. Enlever ensuite le couvercle.



3. Faire tourner les glissières vers l'intérieur, puis retirer.



4. Pour enlever le rabat du tiroir, le tirer vers l'extérieur jusqu'à ce que le son « CLIC » se fasse entendre.

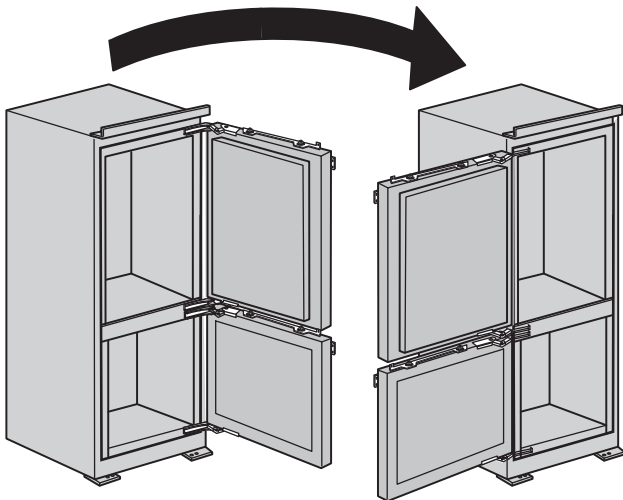


5. Laver le couvercle du tiroir.

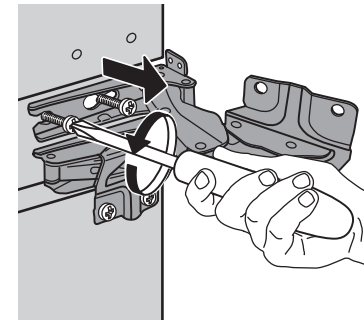
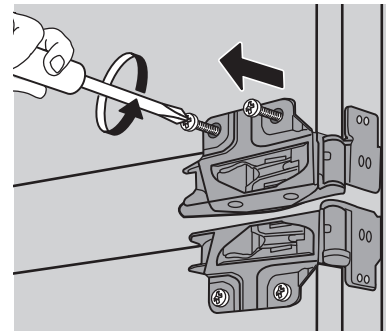
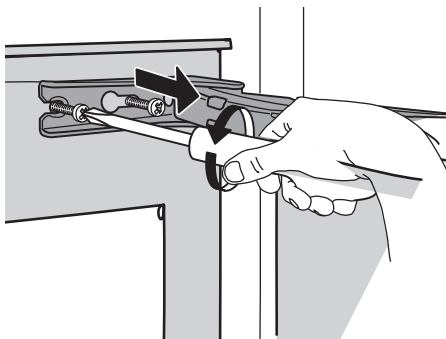


6. Pour remettre en place le tiroir de congélation, inverser la procédure.

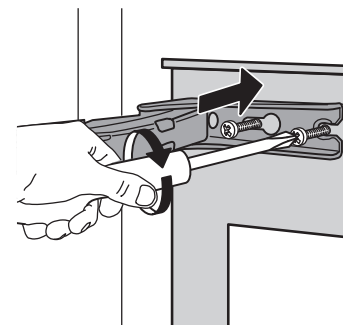
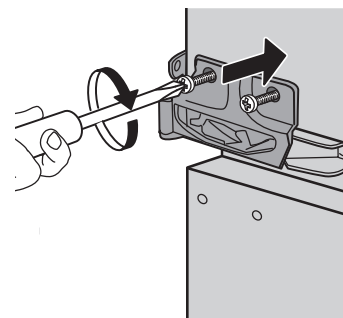
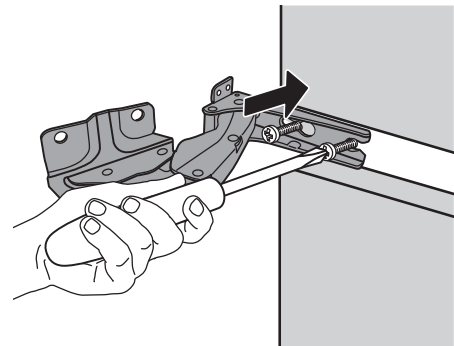
Inversion du sens d'ouverture de la porte du réfrigérateur



1. À l'aide d'un tournevis cruciforme, retirer les vis des charnières supérieure et inférieure. Garder les charnières de côté.

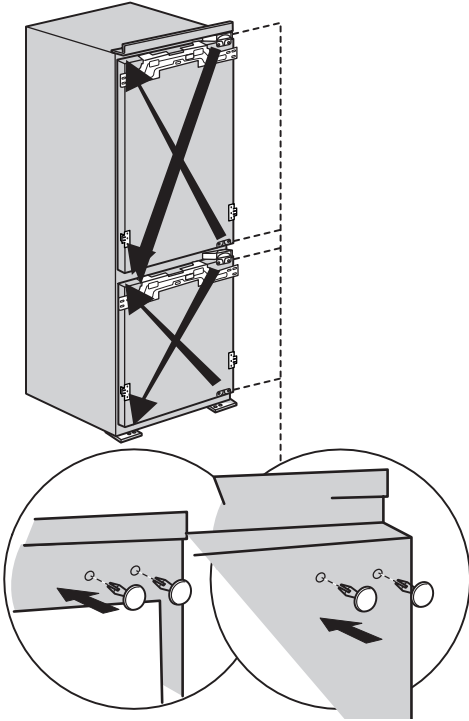


2. Installer la charnière supérieure sur le côté opposé (au bas) de la porte du réfrigérateur au moyen des mêmes vis. Répéter l'opération pour la charnière inférieure.



3. Retirer les bouchons d'obturation du côté opposé de la porte du réfrigérateur.

4. Insérer les bouchons d'obturation où les vis de la charnière se trouvaient avant l'inversion de la porte.



5. Répéter l'opération pour inverser la porte du congélateur.

NOTES

NOTES

NOTES

