

# NZ36K7570RS

## 36" Electric Cooktop

### Features

- Bluetooth Connected to Hood
- Wi-Fi Connectivity
- Flexible Cooktop:
  - Triple Element (12"/9"/6")
  - Dual Element (9"/6" Rapid Boil™)
  - Two Sync Elements (7")
  - Single Melt Element (6")
- 15 Heat Settings
- Simmer Control
- Melt Mode
- 10 kW Total Power
- ADA Compliant

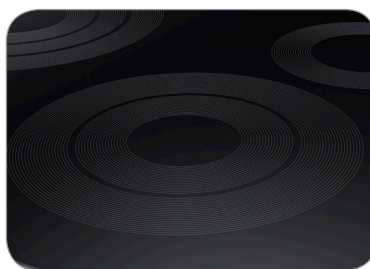


### Convenience

- Kitchen Timer
- Hot Surface Indicator Light
- Child Safety Lock
- Dishwasher Safe Magnetic Knob



ADA Compliant



Rapid Boil™



Removable Magnetic Knob

### Available Colors



Stainless Steel (shown)



Black Stainless Steel

### Signature Features

#### RAPID BOIL™

- Up to 3.3 kW power element offers intense heat and precise control to quickly boil water or maintain a low even simmer.

#### DIGITAL-ANALOG CONTROLS

- The ultimate interface, choose between a removable magnetic analog-knob or digital touch controls.

#### SYNC ELEMENTS

- Control two elements at the same time when using a large pot or griddle across two elements.

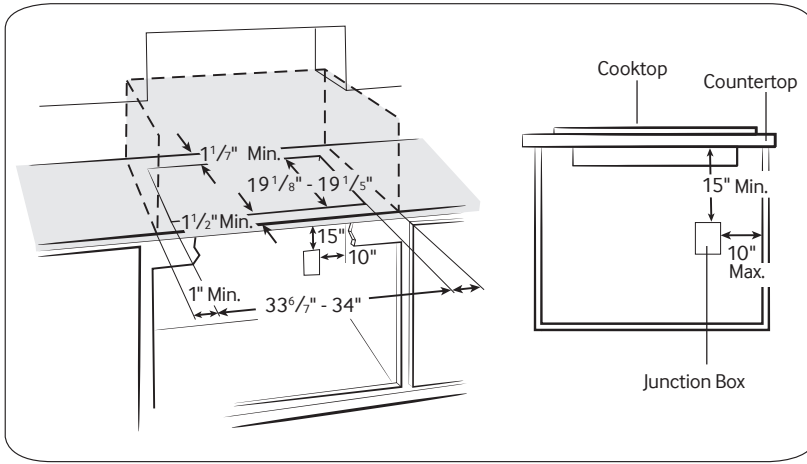
**SAMSUNG**

# NZ36K7570RS

## 36" Electric Cooktop

### Installing Your Cooktop

Can be installed over a single oven.



### Total Power

10.5 kW

### Power Source

240V / 60 Hz / 40A

### Electric Cooktop

- Left Front: 7", 1.5 kW (Sync)
- Left Rear: 7", 1.5 kW (Sync)
- Right Front: 9"/6", 3.3 kW (Rapid Boil™)
- Right Rear: 6", 1.2 kW (Melt)
- Center: 12"/9"/6", 3 kW

### Warranty

One (1) Year All Parts and Labor

Five (5) Years Parts Warranty for Glass Cooktop and Radiant Heater

### Product Dimensions & Weight (WxHxD)

Outside (Max) Cooktop Dimensions:

36" x 5 1/10" x 21 1/4"

Cooktop Cut-Out Dimensions:

33 6/7" x 5 1/10" x 19 1/8"

Weight: 41.2 lbs.

### Shipping Dimensions & Weight (WxHxD)

Dimensions:

40 3/16" x 9 1/16" x 25 1/16"

Weight: 51.8 lbs.

### Color

Stainless Steel

### Model #

NZ36K7570RS

### UPC Code

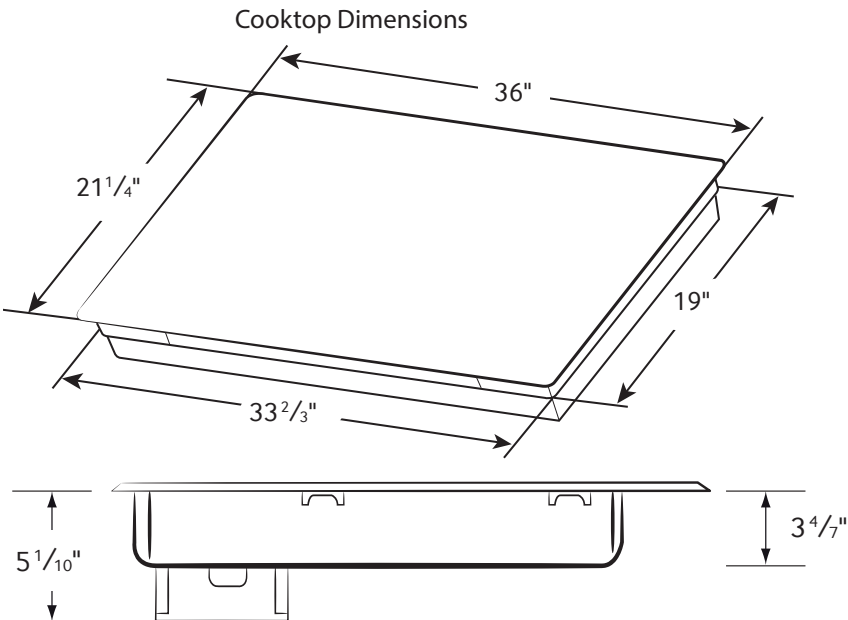
887276183541

Black Stainless Steel

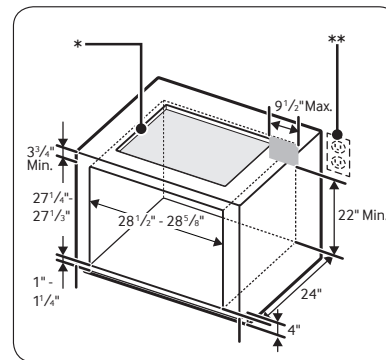
NZ36K7570RG

887276183275

### Dimensions



### Cut-Out Dimensions of Countertop



\* See built-in oven installation for complete installation instructions. See label on top of approved built-in oven models.

\*\* Refer to installation manual of oven.

**SAMSUNG**

Actual color may vary. Design, specifications, and color availability are subject to change without notice. Non-metric weights and measurements are approximate.

©2017 Samsung Electronics America, Inc. 85 Challenger Road, Ridgefield Park, NJ 07660. Tel: 800-SAMSUNG. samsung.com. Samsung is a registered trademark of Samsung Electronics Co., Ltd.