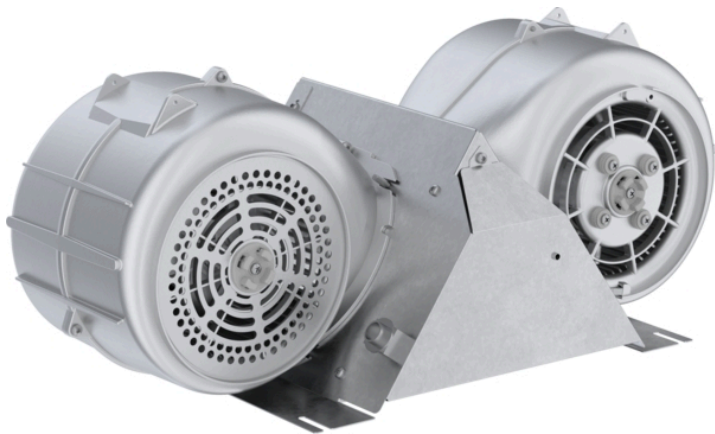


1000 CFM Internal Blower
VTN2FZ



Product Features

Internal blower mounted within hood



Notes: Please refer to installation instructions. Installation instructions are available at www.thermador.com. Specifications are correct at the time of printing. Thermador reserves the right to change product specifications and design at any time, without notice.

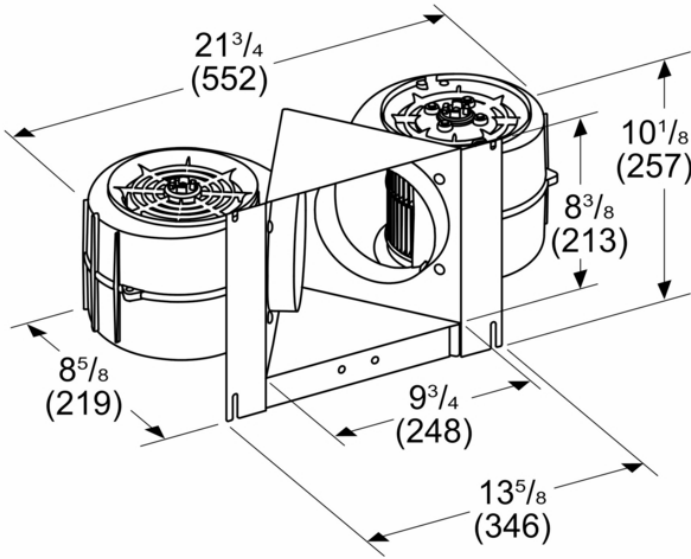
1 800 735 4328 | WWW.THERMADOR.COM | 1901 Main Street, Suite 600 Irvine, CA 92614

©2022 BSH HOME APPLIANCES CORPORATION, ALL RIGHTS RESERVED LITHO DATE: 05/2022

1000 CFM Internal Blower
VTN2FZ



Measurements in inches (mm)



Product Features

| | Accessory |
|--------------------------------------|--------------------------------------|
| Brand | Thermador |
| SKU | VTN2FZ |
| Internal article number | VTN2FZ |
| EAN code | 825225964889 |
| Product packaging dimensions (HxWxD) | 10.75" x 12.7" x 24.1" |
| | 21 |
| | 21 |
| UPC code | 825225964889 |
| Product image | 19805780_VTN2FZ_Front_Facing_def.jpg |

Technical Specification

Notes: Please refer to installation instructions. Installation instructions are available at www.thermador.com. Specifications are correct at the time of printing. Thermador reserves the right to change product specifications and design at any time, without notice.

1 800 735 4328 | WWW.THERMADOR.COM | 1901 Main Street, Suite 600 Irvine, CA 92614

©2022 BSH HOME APPLIANCES CORPORATION, ALL RIGHTS RESERVED LITHO DATE: 05/2022