

Commercial Top-Load Washer

With 100 years of experience in the industry and features that streamline service, Whirlpool® Commercial Laundry machines provide performance with the quality you expect.

Featuring Factory-Installed
Coin Drop and Coin Box

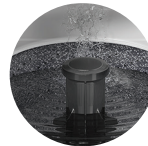
Commercial-Grade Features:

Choose a commercial-built product that withstands heavy traffic, regular use and performs continuously.



Commercial-Grade Construction

Built from thick-gauge, high-quality steel with an immensely powerful ½-HP motor to handle constant use and effectively deliver consistent, quality cleaning performance for any load—from the everyday to the extra-large.



Deep Water Wash System

A traditional top-load wash experience with deep-water wash and rinse cycle options for vigorous cleaning action. The traditional flex-vane agitator provides four distinct wash profiles—from aggressive to gentle—designed to pull clothes from the top to the bottom of the wash basket.



Revenue Generating Options

Coin-drop machines let you set cycle prices to keep up with inflation, instead of being limited by the \$2 price maximum of coin-slide machines. You can also generate additional revenue with extra rinse and heavy soil cycle add-ons.



Easy to Service

The metal console wraps completely around the back of the machine, making it easy to clean, and offering optimal protection against unexpected liquid spills or vapor. Front-panel accessibility provides fast entry to the motor, transmission and wash tub for streamlined self-service.

CAE2779JQ — 27" Commercial Washer

- 3.3 cu. ft. Capacity
- 700-RPM Spin Speed
- Display with Cycle Time
- Extra-Large Lid and Tub Opening
- 6' Inlet Hose and 6' Drain Hose Included
- Top-Lock and Coin Box Locks Factory-Installed, Keys Secured to Meter
- Factory Installed Coin Drop and Coin Vault Box
- 90-Day Labor / 2-Year Limited Parts Only Warranty*

*See whirlpoolcommerciallaundry.com for complete warranty details.

Commercial Top-Load Washer

Featuring Factory-Installed Coin Drop and Coin Box

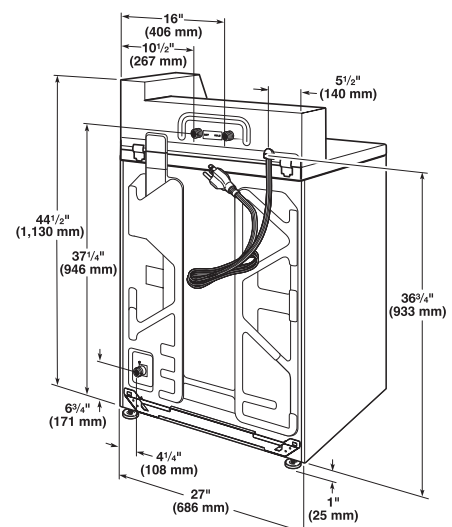
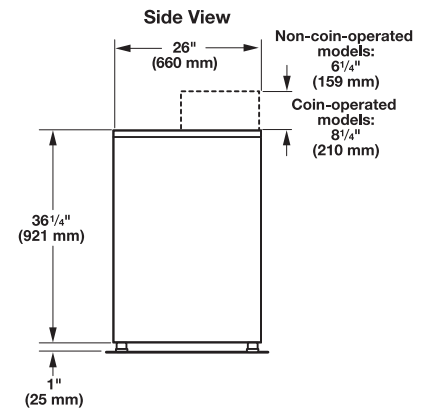
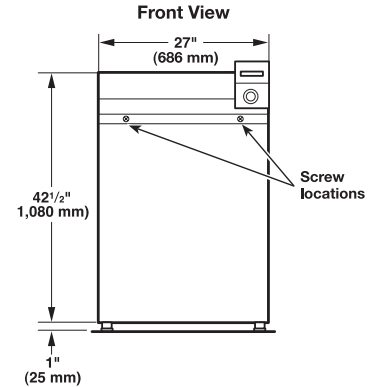


Washer Specifications

Model	CAE2779JQ
Motor Size — HP (KW)	1/2 (.37)
Modified Energy Factor (MEF _{J2})*	1.71
Integrated Water Factor (IWF)*	5.11
Approximate Water Usage — Gallons (Liters)	
Average Total Water Usage Per Cycle*	17.07 (64.6)
Average Hot Water Usage, Warm Water Cycle	0.56 (2.1)
Average Hot Water Usage, Hot Water Cycle	6.34 (23.99)
Extract Speed — Max G-Force / Max RPM	144 / 700
Capacity	
Cylinder Volume — cu. ft. (liters)	3.3 (92.6)
Cylinder Diameter — in. (mm)	20.8 (528)
Cylinder Depth — in. (mm)	23.8 (605)
Dimensions	
Width — in. (mm)	27 (686)
Depth — in. (mm)	26 (660)
Height — in. (mm)	44.5 (1,130)
Lid Opening — in. (mm)	17 (432)
Crated Dimensions	
Width — in. (mm)	29 (737)
Depth — in. (mm)	27.5 (699)
Height — in. (mm)	49 (1,255)
Approximate Weight	
Uncrated — lbs. (kg)	156 (70.8)
Crated — lbs. (kg)	174 (78.9)
Electrical Requirements	
Electrical Rating — voltage / Hz	120 / 60
Breaker / Fuse — amps	15
Water Inlet / Hose	
Operating Pressure PSI (bar)	20 – 100 (1 – 8)
Inlet Hose Length — ft. (m)	6 (1.8)
Drain Hose Length — ft. (m)	6 (1.8)
Warranty	2-Year Limited / 90-Day Labor

Dimensions are for planning purposes only. See specific instructions for proper installation. Because of continuous product improvement, Whirlpool reserves the right to change specifications without notice.

*Based on 2018 United States DOE J2 Testing with factory preset cycles.



2-YEAR LIMITED PARTS ONLY WARRANTY / 90-DAY LABOR

For 90 days from the date of original purchase, when this commercial appliance is installed, maintained, and operated according to instructions attached to or furnished with the product, Whirlpool Corporation (hereafter "Whirlpool") will pay for factory-specified replacement parts and repair labor to correct defects in materials or workmanship that existed when this commercial appliance was purchased. For the first two years from the date of purchase, when this major appliance is installed, maintained, and operated according to the instructions attached to or furnished with the product, Whirlpool will pay for factory-specified replacement parts to correct defects in materials or workmanship that existed when this commercial appliance was purchased.