



INSTALLATION MANUAL

HOOD

Read this installation manual thoroughly before installing the appliance and keep it handy for reference at all times.

ENGLISH

SKSHI3601S SKSHI4801S



MFL70208706
Rev.00_022224

www.signaturekitchensuite.com

Copyright © 2024 Signature Kitchen Suite. All Rights Reserved.

2

TABLE OF CONTENTS

3 IMPORTANT SAFETY INSTRUCTIONS

- 3 READ ALL INSTRUCTIONS BEFORE USE
- 3 WARNING STATEMENTS

5 INSTALLATION

- 5 Before Installing
- 8 Planning the Installation
- 12 Installing the Hood

14 APPENDIX

- 14 Wiring Diagram

IMPORTANT SAFETY INSTRUCTIONS

READ ALL INSTRUCTIONS BEFORE USE

Safety Messages

Your safety and the safety of others are very important.

We have provided many important safety messages in this manual and on your appliance. Always read and follow all safety messages.



This is the safety alert symbol.

This symbol alerts you to potential hazards that can kill or injure you and others. All safety messages will follow the safety alert symbol and either the word **WARNING** or **CAUTION**.

These words mean:



WARNING

You may be killed or seriously injured if you do not follow instructions.



CAUTION

You may be injured or cause damage to the product if you do not follow instructions.

All safety messages will tell you what the potential hazard is, tell you how to reduce the chance of injury, and tell you what may happen if the instructions are not followed.

READ AND SAVE THESE INSTRUCTIONS

WARNING STATEMENTS

WARNING

- To reduce the risk of explosion, fire, death, electric shock, scalding or injury to persons when using this product, follow basic precautions, including the following:

Installation

- If the information in this manual is not followed exactly, a fire or explosion may result causing property damage, personal injury or death.
- Do not use an additional speed control device with this unit.
- To avoid motor bearing damage and noisy and/or unbalanced impellers, keep drywall spray, construction dust, etc. off the power unit.
- TO REDUCE THE RISK OF FIRE, ELECTRIC SHOCK, OR INJURY TO PERSONS, OBSERVE THE FOLLOWING:
 - Installation work and electrical wiring must be done by qualified person(s) in accordance with all applicable codes and standards, including fire-rated construction.
 - Sufficient air is needed for proper combustion and exhausting of gases through the flue (chimney) of fuel burning equipment to prevent back drafting. Follow the heating equipment manufacturer's guidelines and safety standards such as those published by the National Fire Protection Association (NFPA), and the American Society for Heating, Refrigeration and Air Conditioning Engineers (ASHRAE), and the local code authorities.
 - When cutting or drilling into wall or ceiling, do not damage electrical wiring and other hidden utilities.
 - Ducted fans must always be vented to the outdoors.
- Do not install or operate this hood if it has been damaged, dropped, has damaged electrical wires or is not working properly. If the product is damaged when received, immediately contact the dealer or builder.

4 IMPORTANT SAFETY INSTRUCTIONS

- This range hood must be installed and grounded by a qualified installer according to these installation instructions.
- Install or locate this appliance only in accordance with these installation instructions and the requirements specified by the manufacturer of the cooktop or range. Improper installation, adjustment, alteration, service or maintenance can cause serious personal injury or property damage.
- The customer should not install, repair or replace any part of the range hood unless specifically recommended in the literature accompanying it. A qualified service technician should perform all other service.
- Keep all packaging materials away from children. Plastic bags can cause suffocation.
- Do not use an extension cord or adapter plug with this appliance.
- The installer must show the customer the location of the fuse box or circuit breaker panel box so that the customer knows where and how to turn the power off.
- Before installing or servicing the range hood, switch power off at the fuse box circuit breaker and lock the electrical panel door to prevent power from being switched on accidentally. When the electrical panel cannot be locked, securely fasten a prominent warning device, such as a tag, to the electrical panel.
- Read the owner's manual completely before using the appliance. Clean the appliance only as instructed in the owner's manual. Use only the cleaners specified.
- Do not tamper with the controls.
- If the cooktop and range hood are near a window, use an appropriate window treatment. Avoid long drapes or other window coverings that could blow over the cooktop and hood, resulting in a fire hazard.
- The minimum vertical distance between the cooktop surface and the exterior part of the hood must be no less than 26" (66 cm). The required vertical distance may be longer for the range or cooktop being used. Consult the range or cooktop installation instructions for the minimum vertical distance from the appliance being used.
- **TO REDUCE THE RISK OF FIRE, USE ONLY METAL DUCTWORK.**

SAVE THESE INSTRUCTIONS

INSTALLATION

Before Installing

Before You Begin

IMPORTANT:

- **Installer:** In the interest of safety and to minimize problems, read these installation instructions completely and carefully before you begin the installation process. Leave these installation instructions with the customer.
- **Customer:** Keep these installation instructions for future reference and the local electrical inspector's use.

APPLIANCE DATA PLATE

- The appliance data plate contains the model and serial number information and the electrical requirements.
- It is located inside the hood behind the filters on the back side of the chassis. Remove the filters to view it.

All specifications subject to change without notice.
SIGNATURE KITCHEN SUITE assumes no liability for changes to specifications.

Product Specifications

General Specifications

Model	SKSHI3601S	SKSHI4801S
Width	34 3/8" (87 cm)	46 3/8" (118 cm)
Weight	41.8 lb. (19 kg)	59.5 lb. (27 kg)
Fan speed	5	
Filter	2 ea	3 ea
Total Connect Load	120 VAC, 60 Hz 4 Amp.	120 VAC, 60 Hz 7 Amp.
Light	120 VAC, 12 W LED light strip	120 VAC, 12 W LED light strip

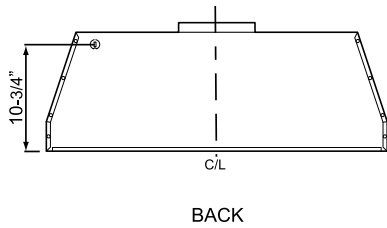
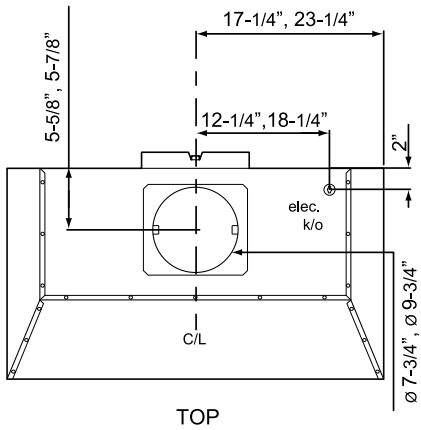
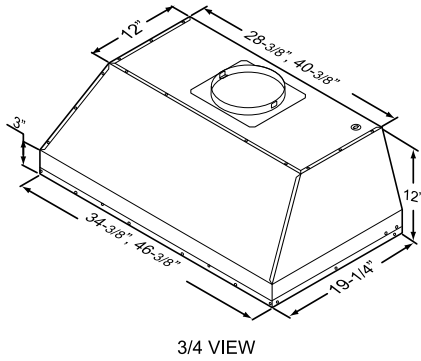
6 INSTALLATION

Dimensions and Clearances

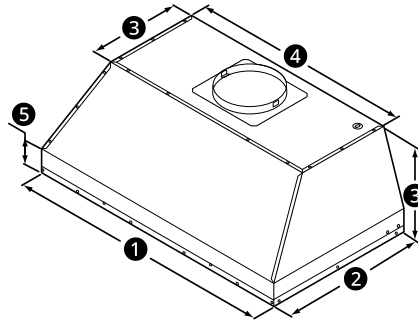
Tolerances: +1/16", -0 (1.6 mm, -0), unless otherwise stated.

NOTE

- The exhaust duct only can be connected from the top of the hood. The electrical wiring can be connected from either the top or the back of the hood.



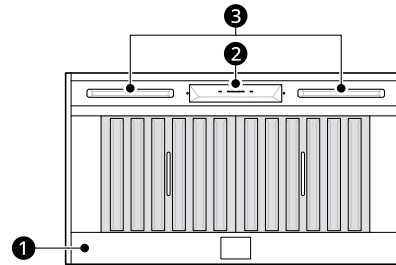
Overall Dimensions



3/4 VIEW

-	SKSHI3601S	SKSHI4801S
①	34 3/8"	46 3/8"
②	19 1/4"	19 1/4"
③	12"	12"
④	28 3/8"	40 3/8"
⑤	3"	3"

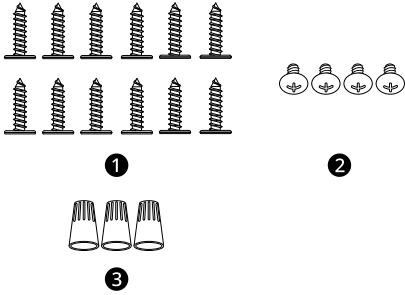
Parts



- ① Hood
- ② Control Panel
- ③ LED Strip Light

Accessories

Included Accessories



- ❶ Screw (12 ea, #8 x 1/2")
- ❷ Screw (4 ea, M4 x 1/4")
- ❸ Wire Cap (3 ea)

⚠ WARNING

- TO REDUCE THE RISK OF FIRE, ELECTRIC SHOCK, AND INJURY TO PERSONS, HOOD MUST BE INSTALLED WITH SUPPLIED ACCESSORIES THAT ARE MARKED IN THIS INSTRUCTION TO INDICATE THE SUITABILITY WITH THIS MODEL. OTHER ACCESSORIES CANNOT BE SUBSTITUTED.

8 INSTALLATION

Planning the Installation

! WARNING

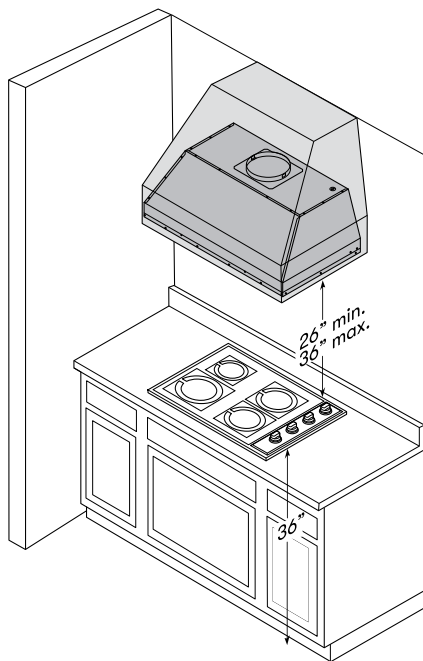
- Observe all governing codes and ordinances during planning and installation. Contact your local building department for further information. Use only duct work deemed acceptable by state, municipal and local codes.

Cabinet Layout

! WARNING

- To reduce the risk of personal injury caused by reaching over a hot appliance, cabinet storage space located directly above the range should be avoided.

Standard Duct Cover



Ducting

A minimum of 8" (20 cm) round duct SKSHI3601S must be used to maintain maximum air flow efficiency.

A minimum of 10" (25 cm) round duct for SKSHI4801S must be used to maintain maximum air flow efficiency.

Always use rigid metal ducts only. Flexible ducts could restrict air flow by up to 50%.

Use the **Ducting Calculation Sheet** to compute the total available duct run when using elbows, transitions and caps.

ALWAYS, when possible, reduce the number of transitions and turns. If a long duct run is required, increase the duct size.

If turns or transitions are required, install as far away from the hood duct output and as far apart as possible.

Minimum mount height between range top and hood bottom should be no less than 26" (66 cm).

Maximum mount height should be no higher than 36" (91 cm) above the range top.

It is important to install the hood at the proper mounting height. Mounting the hood too low could result in heat damage and fire hazard. Mounting the hood too high will make it hard to reach and reduce its performance and efficiency.

If available, also refer to the range manufacturer's height clearance requirements and recommended hood mounting height above range.

! CAUTION

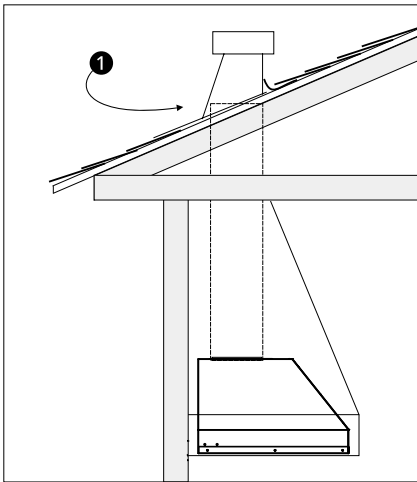
- **DAMAGE DURING SHIPPING / INSTALLATION:**
 - Please fully inspect the unit for damage before installation.
 - If the unit is damaged in shipment, return the unit to the store in which it was bought for repair or replacement.
 - If the unit is damaged by the customer, repair or replacement is the responsibility of the customer.
 - If the unit is damaged by the installer (if other than the customer), repair or replacement must be made by arrangement between customer and installer.

Ducting Options

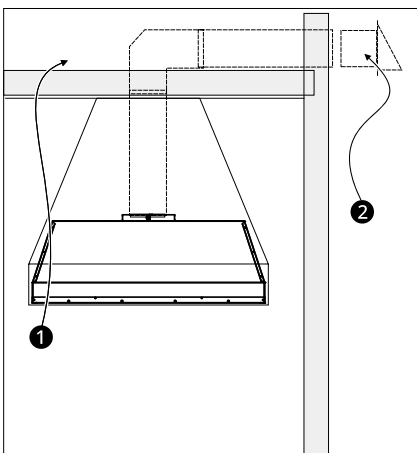
⚠ WARNING

- Fire Hazard:
 - NEVER exhaust air or terminate duct work into spaces between walls, crawl spaces, ceilings, attics or garages.
 - All exhaust must be ducted to the outside.
 - Use metal ductwork only.
 - Fasten all connections with sheet metal screws and tape all joints with certified silver tape or duct tape.

Sample Ducting Options



❶ Roof Pitch w/Flashing & Cap



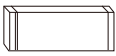



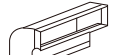













❶ Soffit or crawl space

❷ Side wall cap w/ gravity damper

10 INSTALLATION

Ducting Calculation Sheet

Maximum duct length: For satisfactory air movement, the total duct length should not exceed 150 equivalent feet.

Duct pieces		Equivalent length x number used =	Total	Duct pieces		Equivalent length x number used =	Total
	3 1/4" x 10" Rect., straight	1 Ft. x () =	Ft.		3 1/4" x 10" Rect. to 6" Round transition	5 Ft. x () =	Ft.
	6", 7", 8", 10" Round, straight	1 Ft. x () =	Ft.		3 1/4" x 10" Rect. to 6" Round transition 90° elbow	20 Ft. x () =	Ft.
	3 1/4" x 10" Rect. 90° elbow	15 Ft. x () =	Ft.		6" Round to 3 1/4" x 10" Rect. transition	1 Ft. x () =	Ft.
	3 1/4" x 10" Rect. 45° elbow	9 Ft. x () =	Ft.		6" Round to 3 1/4" x 10" Rect. transition 90° elbow	16 Ft. x () =	Ft.
	3 1/4" x 10" Rect. 90° flat elbow	24 Ft. x () =	Ft.		7" Round to 3 1/4" x 10" Rect. transition	8 Ft. x () =	Ft.
	7" to 6" or 8" to 7" Round tapered reducer	25 Ft. x () =	Ft.		7" Round to 3 1/4" x 10" Rect. transition 90° elbow	23 Ft. x () =	Ft.
	6", 7", 8" Round in-line damper	15 Ft. x () =	Ft.		3 1/4" x 10" Rect. wall cap with damper	30 Ft. x () =	Ft.
	6", 7", 8", 10" Round, 90° elbow	15 Ft. x () =	Ft.		6", 7", 8", 10" Round, wall cap with damper	30 Ft. x () =	Ft.
	6", 7", 8", 10" Round, 45° elbow	9 Ft. x () =	Ft.		6", 7", 8", 10" Round, roof cap	30 Ft. x () =	Ft.
Subtotal column 1 =			Ft.	Subtotal column 2 =			Ft.
			Ft.	Subtotal column 1 =			Ft.
				Total ductwork =			Ft.

Ductwork Design Tips

Wherever possible, reduce the number of transitions and turns to as few sharp angles as possible. Two staggered 45° angles are better than one 90°.

Keep turns as far away from the hood exhaust as possible, and allow as much space between bends as possible.

For best performance, use round ducts instead of rectangular, especially when elbows are required.

If multiple elbows are used, try to keep a minimum of 24" of straight duct between them.

Avoid "S" or "back to back" use of adjacent elbows.

In regions where the weather gets extremely cold, use thermal breaks, such as a short section of nonmetallic duct, to avoid indoor heat loss. Locate the break as close as possible to the outside pass-through point.

Do not use flexible metal ductwork.

Do not use ductwork that is smaller in cross-sectional area than the recommended types above.

Power Supply

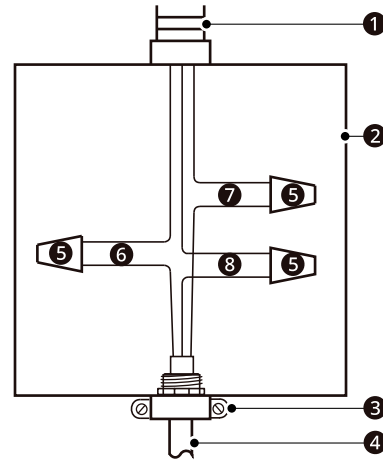
⚠ WARNING

- The information in this manual should be followed exactly. Failure to do so could result in fire or electrical shock, causing property damage, personal injury or death.
- All electrical work must be performed by a qualified electrician or person with similar technical knowledge and background.
- For personal safety, remove the house fuse or open circuit breaker before beginning installation. Do not use an extension cord or adapter plug with this appliance.
- Follow national electrical codes or prevailing local codes and ordinances.

Electrical Supply

This appliance requires a 120 V 60 Hz electrical supply, and must be connected to an individual, properly grounded branch circuit, protected by a 15 or 20 ampere circuit breaker or time delay fuse. Wiring must be 2 wire with ground. Please also refer to the electrical diagram label on the product.

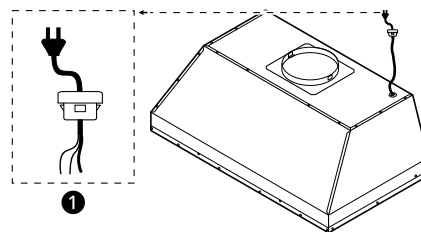
3-Wire Connection to Junction Box



- ① To House Circuit Breaker Panel or Fuse Box
- ② Junction Box
- ③ UL/CSA approved NEMA strain relief
- ④ To range hood
- ⑤ Wire Cap
- ⑥ Green
- ⑦ White
- ⑧ Black

Cable Lock

A cable locking connector ① (not supplied) might also be required by local codes. Check the local requirements and codes, and purchase and install the appropriate connector if necessary.



Verify the Package Contents

Unpack the parts box and verify that all parts and accessories have been included. If any item is missing or damaged, contact the dealer immediately. Do not install a damaged or incomplete appliance.

Make sure you have everything necessary for proper installation before proceeding.

12 INSTALLATION

Installing the Hood

Mounting the Range Hood

⚠ WARNING

- Do not install the range hood unless the electrical service provided meets the range hood specifications.
- Observe all governing codes and ordinances during installation. Contact your local building department for further information.
- A qualified technician must complete the installation of this built-in appliance. More than one person is required to raise the hood into place. The owner is responsible to make sure the hood is properly installed.

Preparation & Installation

⚠ CAUTION

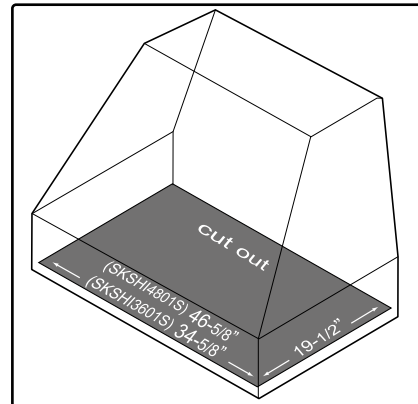
- At least two installers are required because of the weight and size of the hood.

- 1 Remove all packing materials and protective film prior to installation. Use caution during installation to prevent scratches or damage to the stainless steel.
- 2 Cut out an opening in the bottom of the cabinet by following the dimensions in FIG. A.
- 3 Prepare liner for installation into cabinet by following the steps for vertical ducting. Continue to Step 4 after preparation is completed.

⚠ WARNING

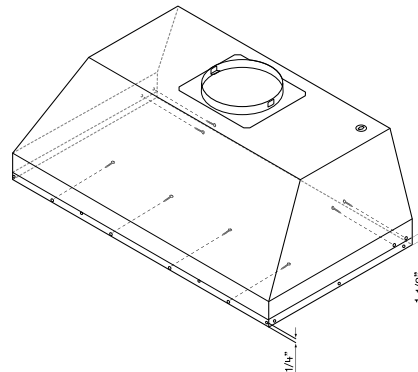
- Make sure the surface you are securing the liner to is capable of holding the weight of hood. Failure to do so may cause personal injury or damage to cooking surface or counter.

FIG. A



- 4 Lift liner into bottom opening of cabinet and secure to interior of cabinet using (8) #8 x 1/2" stainless steel screws; (4) screws in the front and (4) screws in the sides. FIG. B.

FIG. B



- 5 Finalize installation of electrical and duct work. Seal duct work with certified aluminum duct tape. Power on liner, check for leaks around duct tape and verify proper operation.

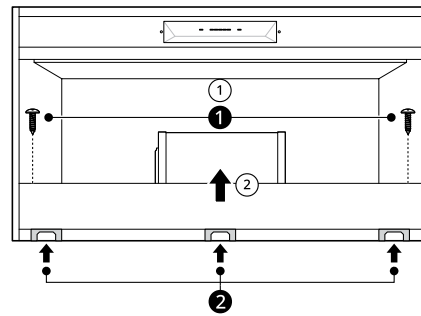
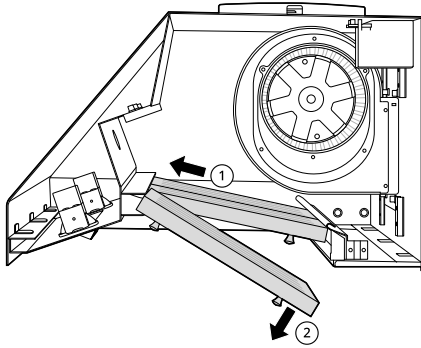
NOTE

- If access to top of liner is not available after installation, electrical and duct work connection may need to be made prior to installing the liner.

- 6 Re-install the previously removed bottom panel, side spacer panels (if applicable), grease tray, and baffle filters.

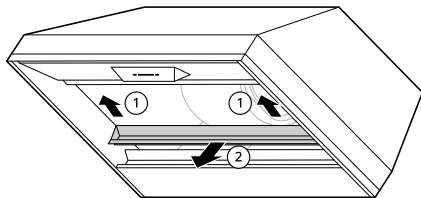
Vertical Ducting Preparation

- 1 Remove baffle filters by: ① Pulling filter toward front of liner. ② Pivoting rear of filter down.

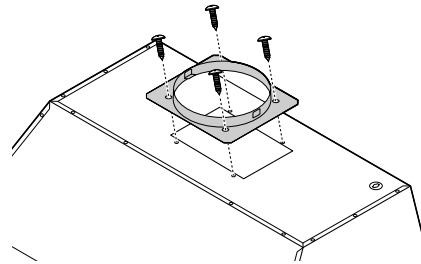


- ① Bottom Panel Screws
- ② Locking Tabs

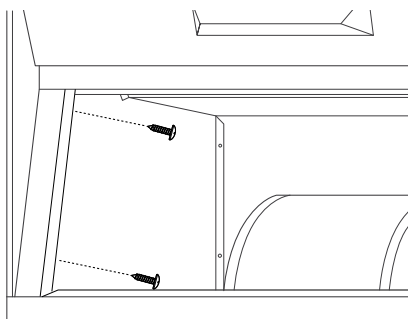
- 2 Remove grease tray by: ① Pulling up on tray to release from bottom panel. ② Lifting tray out of liner body.



- 5 Secure 8" round adapter or 10" round adapter to top of liner by (4) M4 x 6 mm screws.



- 3 (If applicable) Remove left and right side-spacer panels by removing (2) screws from behind each panel.



- 6 Vertical ducting preparation is complete. Refer to Mounting the Range Hood, step 4 to complete installation.

- 4 Remove bottom panel by: ① Removing (2) screws from left and right sides of bottom panel. ② Pulling bottom panel toward front of liner to release from locking tabs.

14 APPENDIX

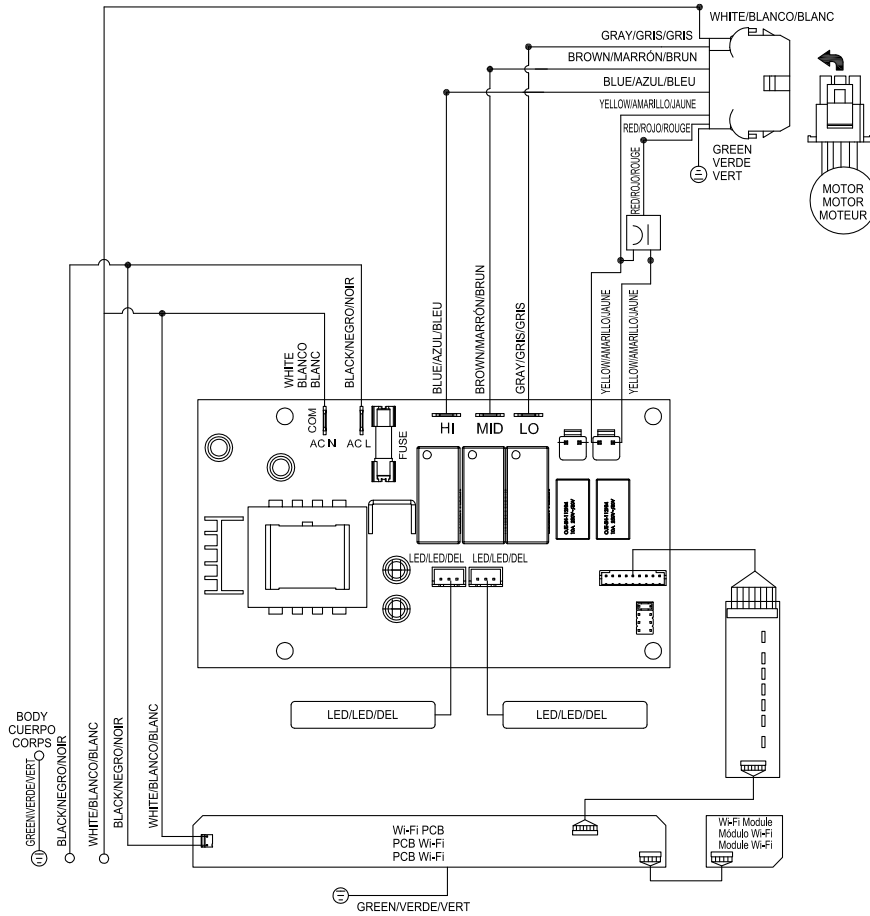
APPENDIX

Wiring Diagram

Wiring Diagram

SKSHI3601S

Models	Volts	HZ	MAX Amps
SKSHI3601S	120	60	4

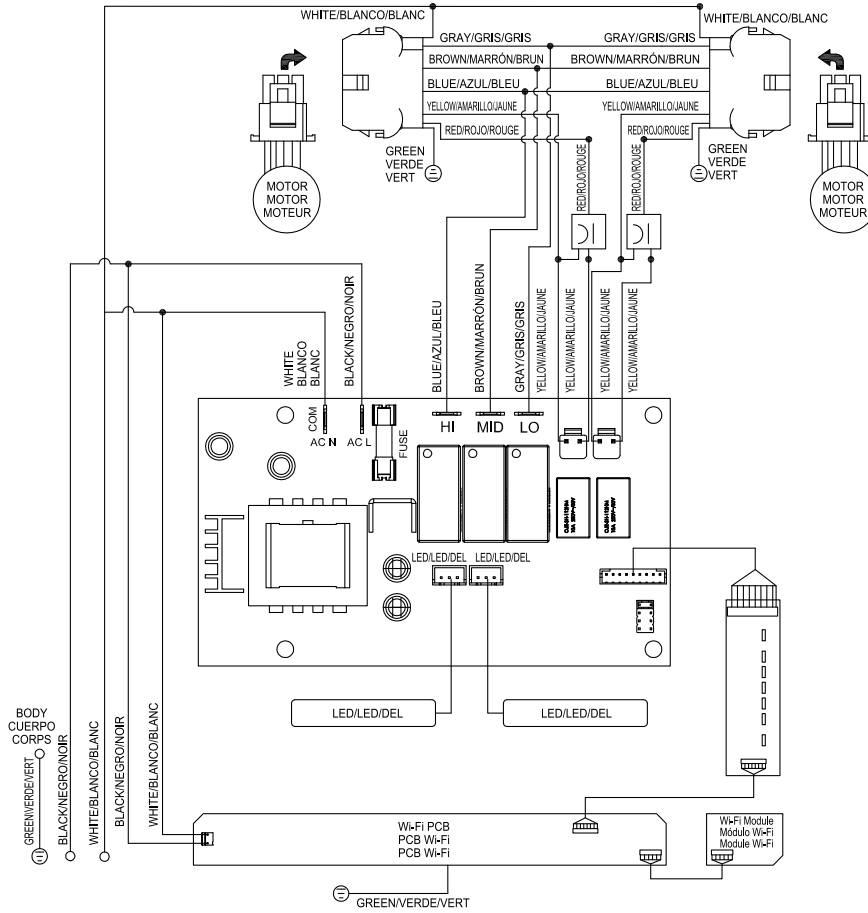


REMARKS:CONDENSER 11+11uF 250VAC 1 FIT AC120V 60Hz
 OBSERVACIONES: CONDENSADOR 11+11uF 250VCA 1 AJUSTE CA120V 60Hz
 NOTES: CONDENSATEUR 11+11uF 250VAC 1 FIT AC120V 60Hz

SKSHI4801S

Models	Volts	HZ	MAX Amps
SKSHI4801S	120	60	7

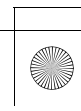
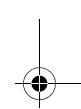
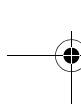
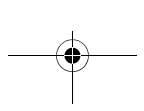
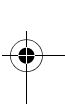
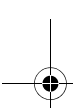
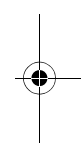
ENGLISH



REMARKS:CONDENSER 11+11uF 250VAC 2 FIT AC120V 60Hz
 OBSERVACIONES: CONDENSADOR 11+11uF 250VCA 2 AJUSTE CA120V 60Hz
 NOTES: CONDENSATEUR 11+11uF 250VAC 2 FIT AC120V 60Hz



16 Memo





MANUAL DE INSTALACIÓN

CAMPANA

Lea detenidamente el manual de instalación antes de instalar el aparato y consérvelo a mano en todo momento para su referencia.

ESPAÑOL

SKSHI3601S SKSHI4801S

www.signaturekitchensuite.com

Copyright © 2024 Signature Kitchen Suite. Todos los derechos reservados

2

ÍNDICE

3 INSTRUCCIONES IMPORTANTES DE SEGURIDAD

- 3 LEA TODAS LAS INSTRUCCIONES ANTES DE UTILIZAR
- 3 DECLARACIÓN DE ADVERTENCIA

5 INSTALACIÓN

- 5 Antes de la instalación
- 8 Planificación de la instalación
- 12 Instalación de la campana

14 APÉNDICE

- 14 Diagrama de cableado

INSTRUCCIONES IMPORTANTES DE SEGURIDAD

LEA TODAS LAS INSTRUCCIONES ANTES DE UTILIZAR

ESPAÑOL

Mensajes de seguridad

Su seguridad y la de los demás son muy importantes.

Tanto en este manual como en el equipo, hemos proporcionado muchos mensajes de seguridad importantes. Siempre debe leer y respetar todos los mensajes de seguridad.



Este es el símbolo de alerta de seguridad.

Este símbolo le advierte sobre posibles riesgos que pueden ocasionar lesiones o la muerte a usted o a otros. El símbolo de alerta de seguridad siempre estará acompañado de las palabras "ADVERTENCIA" o "PRECAUCIÓN" y seguido de un mensaje de seguridad importante.

Estos términos significan lo siguiente:



ADVERTENCIA

El incumplimiento de las instrucciones podría causarle la muerte o lesiones graves.



PRECAUCIÓN

El incumplimiento de las instrucciones podría causarle lesiones o daños al producto.

Todos los mensajes de seguridad le indicarán cuáles son los peligros potenciales, cómo reducir la posibilidad de lesiones y qué podría suceder si no sigue las instrucciones.

LEA Y GUARDE ESTAS INSTRUCCIONES.

DECLARACIÓN DE ADVERTENCIA



ADVERTENCIA

- Para disminuir el riesgo de explosiones, incendios, descargas eléctricas, quemaduras, lesiones o muerte para las personas que usen este artefacto, siga las precauciones básicas, incluidas las siguientes:

Instalación

- Si la información en este manual no se sigue con exactitud, se puede producir un incendio o explosión que provoque daños en la propiedad, lesiones personales o la muerte.
- No use un dispositivo de control de velocidad adicional con esta unidad.
- Para evitar daños en los cojinetes del motor y propulsores ruidosos o desequilibrados, mantenga el pulverizado de los paneles de yeso, el polvo de la construcción, etc. lejos de la unidad de energía.
- PARA REDUCIR EL RIESGO DE INCENDIO, DESCARGAS ELÉCTRICAS O LESIONES PERSONALES, TENGA EN CUENTA LO SIGUIENTE:
 - Conforme a los códigos y estándares aplicables, el trabajo de instalación y cableado eléctrico debe estar a cargo de personas calificadas, incluidas las construcciones ignífugas.
 - Se necesita suficiente aire para una adecuada combustión y escape de gases a través del conducto de humo (chimenea) de equipos de quema de combustible para evitar una corriente inversa. Siga las pautas y los estándares de seguridad del fabricante del equipo de calefacción, como aquellos publicados por la Asociación Nacional de Protección de Incendios (NFPA) y la Sociedad Estadounidense de Ingenieros de Calefacción, Refrigeración y Aire Acondicionado (ASHRAE), además de las autoridades de códigos locales.
 - Al cortar o perforar en paredes o techos, no provoque daños en el cableado eléctrico y otros servicios públicos ocultos.

4 INSTRUCCIONES IMPORTANTES DE SEGURIDAD

- Los ventiladores por conductos siempre deben ventilarse al aire libre.
- No instale ni opere esta campana si se ha dañado, caído, tiene cables eléctricos dañados o no funciona de manera adecuada. Si el producto está dañado en el momento de recibirlo, comuníquese inmediatamente con el distribuidor o constructor.
- De acuerdo con estas instrucciones de instalación, un instalador calificado debe instalar y conectar a tierra esta campana extractora.
- Instale o ubique este dispositivo solo conforme a estas instrucciones de instalación y los requisitos especificados por el fabricante de la placa de cocción o cocina. Una instalación, ajuste, alteración, servicio o mantenimiento inadecuados pueden provocar graves lesiones personales o daños a la propiedad.
- El cliente no debe instalar, reparar o reemplazar ninguna pieza de la campana extractora, salvo que esto se recomiende específicamente en la documentación suministrada. Toda otra tarea de mantenimiento debe estar a cargo de un técnico calificado.
- Mantenga todos los materiales de empaque lejos de los niños. Las bolsas plásticas pueden provocar asfixia.
- No use un cable prolongador o enchufe adaptador con este dispositivo.
- El instalador debe mostrar al cliente la ubicación de la caja de fusibles o caja del panel del disyuntor, de modo que el cliente sepa dónde y cómo apagar la energía.
- Antes de instalar o realizarle mantenimiento a la campana extractora, apáguela desde el disyuntor de fusibles y bloquee la puerta del panel eléctrico para evitar que la unidad se encienda por accidente. En caso de que el panel eléctrico no se pueda bloquear, coloque un dispositivo de advertencia bien visible y firmemente sujeto, como por ejemplo, una etiqueta, en el panel eléctrico.
- Lea el manual del propietario en su totalidad antes de usar el dispositivo. Limpie el dispositivo solo según las instrucciones en el manual del propietario. Use solo limpiadores especificados.
- No manipule indebidamente los controles.
- Si la placa de cocción y la campana extractora se encuentran cerca de una ventana, asegúrese de que la ventana cumpla con las condiciones adecuadas. Evite que la ventana tenga cortinas largas u otras cubiertas que podrían volar sobre la placa de cocción y la campana, ya que esto puede significar un riesgo de incendio.
- La distancia vertical mínima entre la superficie de la placa de cocción y la parte exterior de la campana no debe ser inferior a 26" (66 cm). La distancia vertical requerida podría tener que ser mayor según la cocina o la placa de cocción que se esté usando. Consulte las instrucciones de instalación de la cocina o la placa de cocción para conocer la distancia mínima vertical desde el electrodoméstico que se utilice.
- **PARA REDUCIR EL RIESGO DE INCENDIO, USE SOLO CONDUCTOS METÁLICOS.**

GUARDE ESTAS INSTRUCCIONES

INSTALACIÓN

Antes de la instalación

Antes de comenzar

IMPORTANTE:

- Instalador: con motivos de la seguridad y para minimizar los problemas, lea estas instrucciones de instalación por completo y con detenimiento antes de comenzar el proceso de instalación. Deje estas instrucciones de instalación al cliente.
- Cliente: conserve las instrucciones de instalación para futura referencia y uso del inspector eléctrico local.

PLACA DE DATOS DEL DISPOSITIVO

- La placa de datos del dispositivo incluye la información sobre el modelo y número de serie, así como los requisitos eléctricos.
- Se encuentra en el interior de la campana, detrás de los filtros, en la parte posterior del chasis. Retire los filtros para verla.

Todas las especificaciones están sujetas a cambio sin aviso. **SIGNATURE KITCHEN SUITE** no asume responsabilidad alguna por los cambios en las especificaciones.

Especificaciones del producto

Especificaciones generales

Modelo	SKSHI3601S	SKSHI4801S
Ancho	34 3/8" (87 cm)	46 3/8" (118 cm)
Peso	41.8 lb. (19 kg)	59.5 lb. (27 kg)
Velocidad del ventilador	5	
Filtro	2 c/u	3 c/u
Carga de conexión total	120 VCA, 60 Hz 4 Amp.	120 VCA, 60 Hz 7 Amp.
Luz	120 V de CA, tira de luz LED de 12 W	120 V de CA, tira de luz LED de 12 W

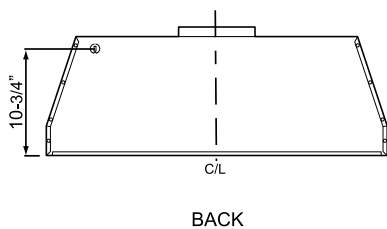
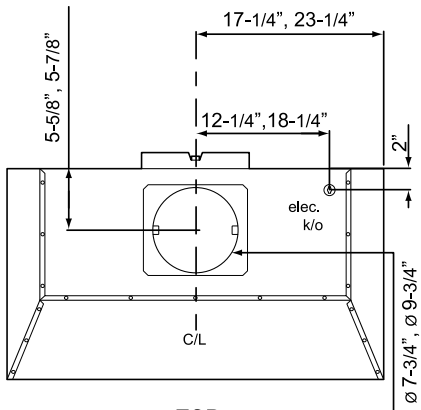
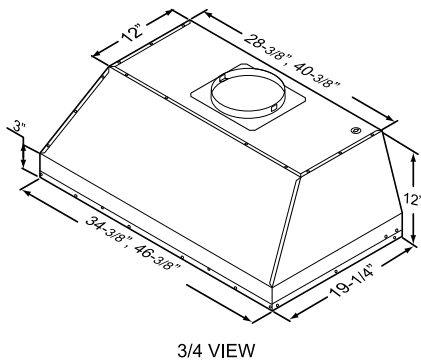
6 INSTALACIÓN

Dimensiones y Espacios

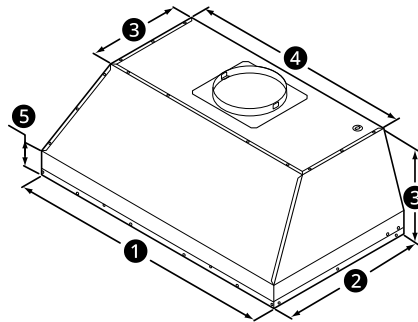
Tolerancias: +1/16", -0 (1.6 mm, -0), a menos que se indique lo contrario.

NOTA

- Los conductos de escape solo pueden conectarse desde la parte superior de la campana. El cableado eléctrico puede ser conectado desde la parte superior o trasera de la campana.

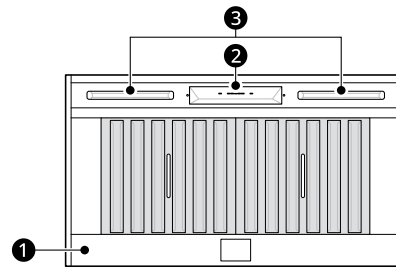


Dimensiones generales



-	SKSHI3601S	SKSHI4801S
①	34 3/8"	46 3/8"
②	19 1/4"	19 1/4"
③	12"	12"
④	28 3/8"	40 3/8"
⑤	3"	3"

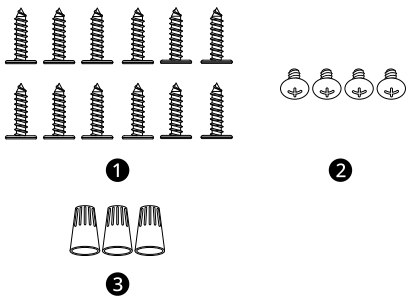
Piezas



- ① Campana
- ② Panel de control
- ③ Tira de luz LED

Accesorios suministrados

Accesorios incluidos



❶ Tornillo (12 c/u, #8 x 1/2")

❷ Tornillo (4 c/u, M4 x 1/4")

❸ Cubierta protectora (3 c/u)

⚠ ADVERTENCIA

- PARA REDUCIR EL RIESGO DE INCENDIOS, DESCARGAS ELÉCTRICAS Y LESIONES A PERSONAS, LA CAMPANA SE DEBE INSTALAR CON LOS ACCESORIOS SUMINISTRADOS QUE ESTÉN MARCADOS EN ESTA INSTRUCCIÓN A FIN DE INDICAR QUE SON ADECUADOS PARA ESTE MODELO. NO SE PUEDEN SUSTITUIR POR OTROS ACCESORIOS.

8 INSTALACIÓN

Planificación de la instalación

⚠ ADVERTENCIA

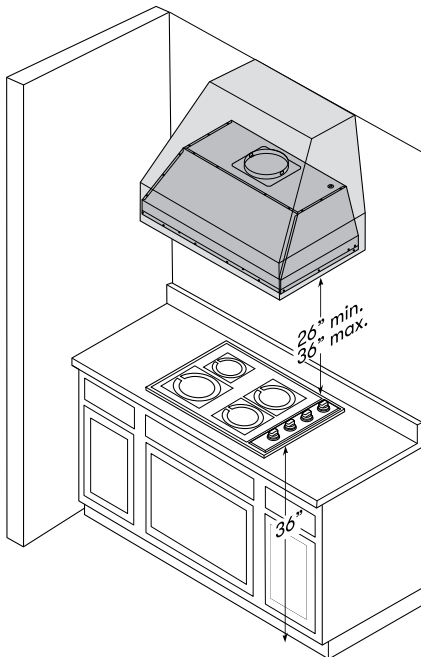
- Respete todos los códigos y las ordenanzas vigentes durante la planificación e instalación. Comuníquese con su departamento de construcción local para obtener más información. Use solo trabajos de conductos considerados aceptables por los códigos locales, municipales y estatales.

Diseño del gabinete

⚠ ADVERTENCIA

- Para reducir el riesgo de lesiones personales ocasionado por tocar un dispositivo caliente, se debe evitar el espacio de almacenamiento del gabinete situado directamente por encima de la cocina.

Cubierta de conductos estándar



Conductos

Se debe usar un conducto circular SKSHI3601S de 8" (20 cm) como mínimo para mantener la eficiencia máxima de flujo de aire.

Se debe usar un conducto circular SKSHI4801S de 10" (25 cm) como mínimo para mantener la eficiencia máxima de flujo de aire.

Siempre use conductos metálicos rígidos. Los conductos flexibles podrían restringir el flujo de aire hasta un 50%.

Use la **Hoja de cálculos para conductos** para calcular el recorrido de conductos disponible total al usar codos, transiciones y tapas.

SIEMPRE que sea posible, reduzca la cantidad de transiciones y giros. Si se requiere un largo recorrido de conductos, aumente el tamaño de conducto.

Si se requieren giros o transiciones, instélas lo más lejos de la salida del conducto de la campana posible y con la máxima separación.

La altura mínima de montaje entre la parte superior de la cocina y la parte inferior de la campana no debería superar los 26" (66 cm).

La altura máxima de montaje no debería superar los 36" (91 cm) por encima de la parte superior de la cocina.

Es importante instalar la campana a la altura de montaje adecuada. El montaje de la campana a una altura demasiado baja podría dar lugar a daños térmicos y peligro de incendio; y hacerlo a una altura demasiado alta hará que sea difícil de alcanzar y reducirá su desempeño y eficiencia.

Si está disponible, consulte también los requisitos de espacio de altura del fabricante de la cocina y la altura de montaje recomendada de la campana por encima de la cocina.

⚠ PRECAUCIÓN

- DAÑOS DURANTE EL ENVÍO/INSTALACIÓN:
 - Inspeccione por completo la unidad en busca de daños antes de la instalación.
 - Si la unidad se daña durante el envío, devuélvala a la tienda en la que la compró para su reparación o reemplazo.
 - Si el cliente dañó la unidad, su reparación o reemplazo es responsabilidad del cliente.
 - Si el instalador dañó la unidad (y no el cliente), se debe coordinar la reparación o el reemplazo entre el cliente y el instalador.

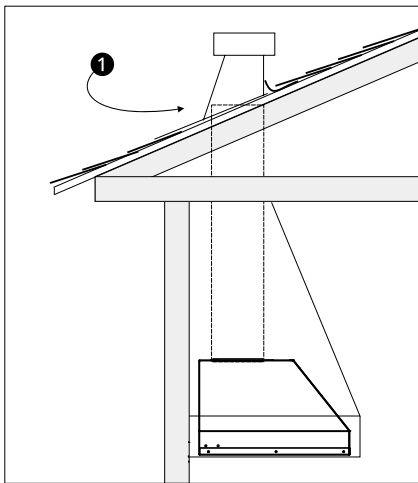
Opciones de conductos

- ② Cubierta de pared lateral con amortiguador de gravedad

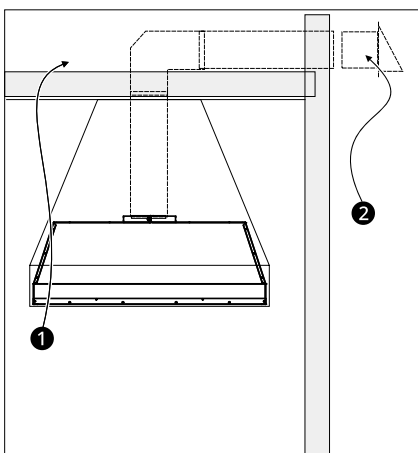
⚠ ADVERTENCIA

- Peligro de incendio:
 - NUNCA libere aire ni haga trabajos con conductos en espacios entre paredes, espacios debajo del piso, techos, áticos o garajes.
 - Todo el escape debe hacerse en conductos hacia al aire libre.
 - Use conductos metálicos solamente.
 - Ajuste todas las conexiones con tornillos para chapas metálicas y encinte todas las juntas con cinta plateada certificada o para conductos.

Opciones de conductos de muestra



- ① Inclinación del techo con vierteaguas y cubierta

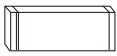



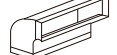





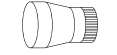


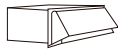






- ① Sofito o espacio debajo del piso

10 INSTALACIÓN

Hoja de cálculos de conductos

Longitud máxima de conductos: para lograr un movimiento satisfactorio del aire, la longitud total del conducto no debe exceder los 150 pies equivalentes.

Partes del conducto		Longitud equivalente × número usado =	Total	Partes del conducto		Longitud equivalente × número usado =	Total
	3 1/4" x 10" Rect., recto	1 pies × () =	pies		Transición de 3 1/4" x 10" Rect. a 6" Circular	5 pies × () =	pies
	6", 7", 8", 10" Circular, recto	1 pies × () =	pies		Transición de 3 1/4" x 10" Rect. a 6" Circular, codo de 90°	20 pies × () =	pies
	3 1/4" x 10" Rect., codo de 90°	15 pies × () =	pies		Transición de 6" Circular a 3 1/4" x 10" Rect.	1 pies × () =	pies
	3 1/4" x 10" Rect., codo de 45°	9 pies × () =	pies		Transición de 6" Circular a 3 1/4" x 10" Rect., codo de 90°	16 pies × () =	pies
	3 1/4" x 10" Rect., codo plano de 90°	24 pies × () =	pies		Transición de 7" Circular a 3 1/4" x 10" Rect.	8 pies × () =	pies
	Reductor cónico redondo de 7" a 6" o de 8" a 7"	25 pies × () =	pies		Transición de 7" Circular a 3 1/4" x 10" Rect., codo de 90°	23 pies × () =	pies
	Amortiguador redondo en línea de 6", 7", 8"	15 pies × () =	pies		3 1/4" x 10" Rect., cubierta de pared con amortiguador	30 pies × () =	pies
	6", 7", 8", 10" Circular, codo de 90°	15 pies × () =	pies		6", 7", 8", 10" Rect., cubierta de pared con amortiguador	30 pies × () =	pies
	6", 7", 8", 10" Circular, codo de 45°	9 pies × () =	pies		6", 7", 8", 10" Circular, cubierta de techo	30 pies × () =	pies
Columna de subtotal 1 =			pies	Columna de subtotal 2 =			pies
				Columna de subtotal 1 =			pies
				Conductos totales =			pies

Consejos de diseño de conductos

Siempre que sea posible, reduzca la cantidad de transiciones y giros a la menor cantidad de ángulos pronunciados posible. Dos ángulos graduales de 45° son mejores que uno de 90°.

Mantenga los giros lo más alejados de la campana posible y permita que haya la mayor cantidad de espacio entre los pliegues posible.

Para alcanzar el mejor desempeño, use conductos circulares en lugar de rectangulares, en especial cuando se requieran codos.

Si se usan varios codos, intente mantener un mínimo de 24" de conducto recto entre ellos.

Evite usar codos adyacentes "S" o "dorso con dorso".

En regiones en las que el clima es extremadamente frío, use resistencias térmicas, como una sección breve de conducto no metálico, para evitar la pérdida de calor en el interior. Ubique la pausa lo más cerca posible del punto de paso exterior.

No use conductos metálicos flexibles.

No use conductos que sean más pequeños en el área transversal que los tipos recomendados arriba.

Suministro de alimentación

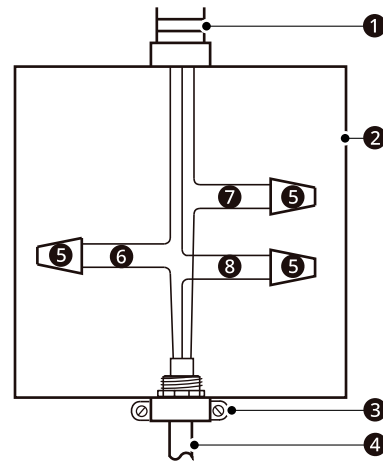
⚠ ADVERTENCIA

- La información en este manual debe respetarse con exactitud. Su incumplimiento podría dar lugar a incendios o descargas eléctricas que causará daños en la propiedad, lesiones personales o la muerte.
- Todo el trabajo eléctrico debe estar a cargo de un electricista o persona calificada con conocimientos técnicos y experiencia similares.
- Para su seguridad personal, quite el fusible del hogar o active el disyuntor antes de comenzar la instalación. No use un cable prolongador o enchufe adaptador con este dispositivo.
- Siga los códigos eléctricos nacionales o códigos y ordenanzas locales vigentes.

Suministro eléctrico

Este dispositivo requiere un suministro eléctrico de 120 V, 60 Hz y debe conectarse a un circuito derivado con conexión a tierra adecuado e individual, protegido con un disyuntor de 15 o 20 amperios o fusible de retardo. El cableado debe tener 2 cables a tierra. Consulte también la etiqueta del diagrama eléctrico en el producto.

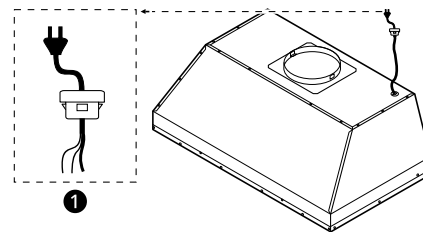
Conexión de 3 cables a la caja de empalmes



- 1 Al panel de disyuntores o caja de fusibles
- 2 Caja de empalmes
- 3 Alivio de tensión NEMA aprobado por UL/CSA
- 4 A campana extractora
- 5 Cubierta protectora
- 6 Verde
- 7 Blanco
- 8 Negro

Bloqueo de cables

Los códigos locales podrían requerir un conector de cables ① (no suministrado). Consulte los requisitos y códigos locales, y compre e instale el conector adecuado si es necesario.



Verifique el contenido del paquete

Desembale la caja de las partes y verifique que se hayan incluido todas las partes y accesorios. Si falta un artículo o está dañado, comuníquese con el distribuidor de inmediato. No instale un dispositivo dañado o incompleto.

12 INSTALACIÓN

Asegúrese de tener todo lo necesario para la correcta instalación antes de continuar.

Instalación de la campana

Montaje de la campana extractora

⚠ ADVERTENCIA

- No instale la campana extractora a menos que el servicio eléctrico provisto cumpla con las especificaciones de la campana.
- Respete todos los códigos y las ordenanzas vigentes durante la instalación. Comuníquese con su departamento de construcción local para obtener más información.
- Un técnico calificado debe completar la instalación de este dispositivo integrado. Se necesita más de una persona para levantar la campana y colocarla en su lugar. El propietario es responsable de asegurarse de que la campana se instale correctamente.

Preparación e instalación

⚠ PRECAUCIÓN

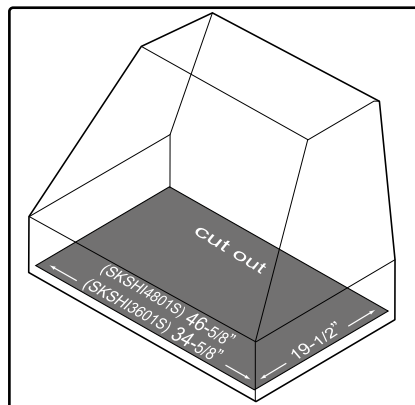
- Se requieren al menos dos instaladores a partir del peso y tamaño de la campana.

- 1 Retire todos los materiales de empaque y la película protectora antes de la instalación. Tenga precaución durante la instalación para prevenir arañazos o daños al acero inoxidable.
- 2 Recorte la abertura de parte inferior del gabinete siguiendo las dimensiones de la FIG. A.
- 3 Prepare el revestimiento para la instalación en el gabinete siguiendo los pasos para los conductos verticales. Continúe con el paso 4 luego de finalizar la preparación.

⚠ ADVERTENCIA

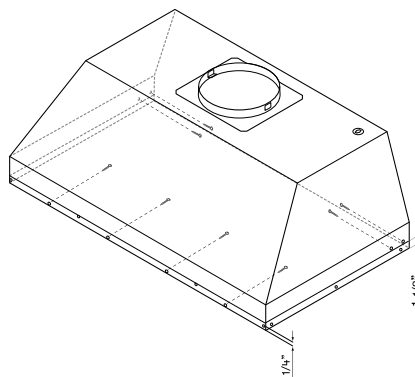
- Asegúrese de que la superficie a la que está fijando el revestimiento tiene la capacidad de soportar el peso de la campana. De lo contrario, podría causar lesiones personales o daños a la superficie de cocción o a la barra.

FIG. A



- 4 Levante el revestimiento de la parte inferior de la abertura del gabinete y fíjelo al interior del gabinete usando (8) tornillos de acero inoxidable #8 x 1/2"; (4) tornillos en la parte delantera y (4) tornillos en los lados. FIG. B.

FIG. B



- 5 Finalice la instalación del trabajo eléctrico y de conductos. Selle los conductos con cinta aislante de aluminio certificada. Encienda el revestimiento, revise si hay fugas alrededor de la cinta de conductos y verifique que funciona correctamente.

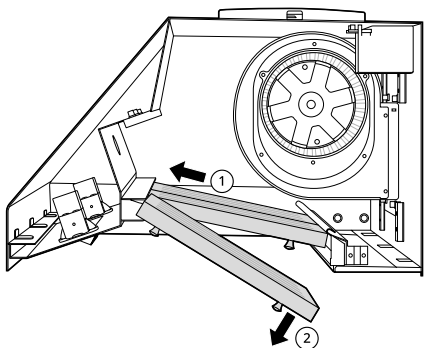
NOTA

- Si el acceso a la parte superior del revestimiento no está disponible luego de la instalación, una conexión eléctrica y de conductos podría tener que realizarse previo a la instalación del revestimiento.

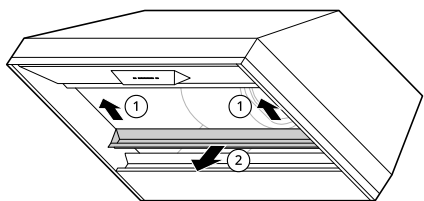
- 6** Reinstale el panel inferior anteriormente retirado, los paneles espaciadores laterales (si aplica), la bandeja para grasas y los filtros de malla.

Preparación de conductos verticales

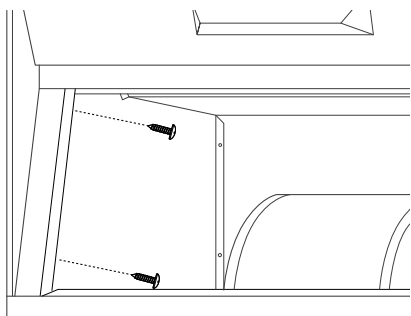
- 1** Retire los filtros de malla de esta manera: ① Jale del filtro hacia la parte frontal del revestimiento. ② Gire la parte trasera del filtro hacia abajo.



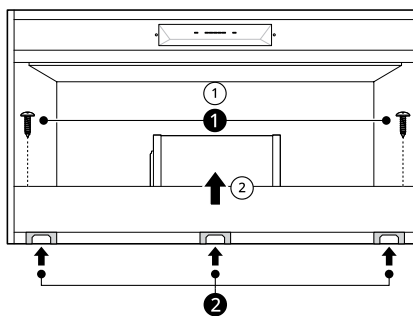
- 2** Retire la bandeja para grasas de esta manera: ① Jale de la bandeja hacia arriba para soltarla del panel inferior. ② Levante la bandeja hacia afuera del cuerpo del revestimiento.



- 3** (Si aplica) Retire los paneles espaciadores del lado izquierdo y derecho retirando los (2) tornillos de la parte trasera de cada panel.



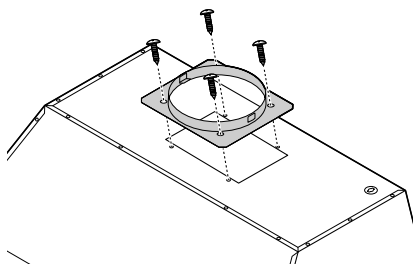
- 4** Retire el panel inferior de esta manera: ① Retire los (2) tornillos de los lados izquierdo y derecho del panel inferior. ② Jale del panel inferior hacia la parte frontal del revestimiento para soltar las lengüetas de bloqueo.



① Tornillos del panel inferior

② Lengüetas de bloqueo

- 5** Fije el adaptador redondo de 8" o el adaptador redondo de 10" a la parte superior del revestimiento con (4) tornillos M4 x 6 mm.



- 6** Ha finalizado la preparación de los conductos verticales. Consulte el paso 4 de Montaje de la campana extractora para completar la instalación.

14 APÉNDICE

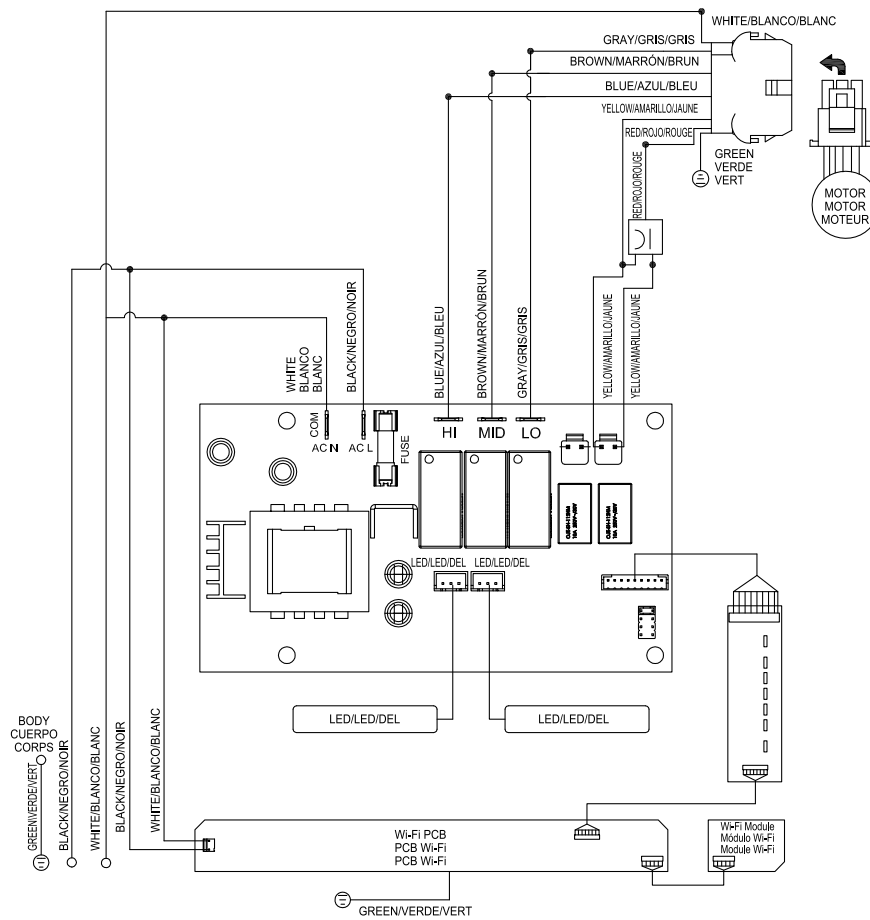
APÉNDICE

Diagrama de cableado

Diagrama de cableado

SKSHI3601S

Modelos	Voltios	HZ	Amperios máximos
SKSHI3601S	120	60	4

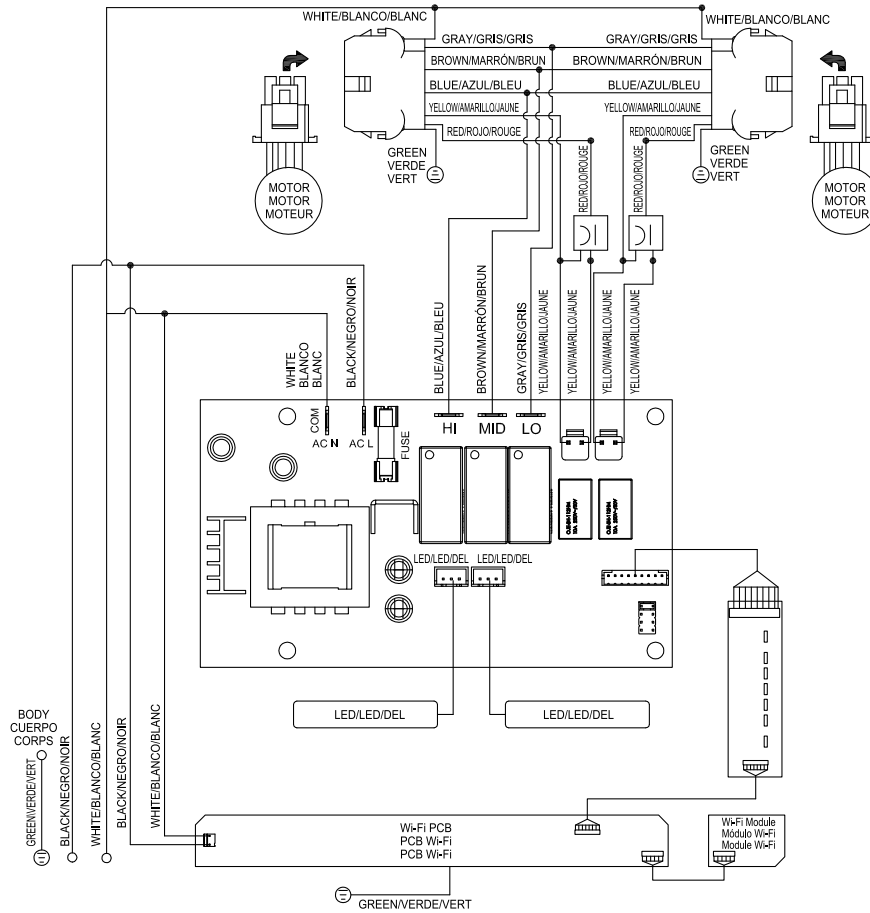


REMARKS:CONDENSER 11+11uF 250VAC 1 FIT AC120V 60Hz
 OBSERVACIONES: CONDENSADOR 11+11uF 250VCA 1 AJUSTE CA120V 60Hz
 NOTES: CONDENSATEUR 11+11uF 250VAC 1 FIT AC120V 60Hz

SKSHI4801S

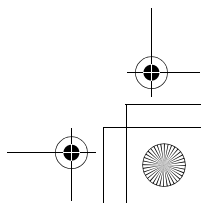
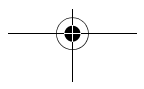
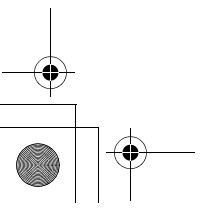
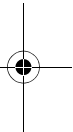
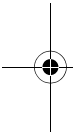
Modelos	Voltios	HZ	Amperios máximos
SKSHI4801S	120	60	7

ESPAÑOL



REMARKS:CONDENSER 11+11uF 250VAC 2 FIT AC120V 60Hz
 OBSERVACIONES: CONDENSADOR 11+11uF 250VCA 2AJUSTE CA120V 60Hz
 NOTES: CONDENSATEUR 11+11uF 250VAC 2 FIT AC120V 60Hz

16 Memorándum





MANUEL D'INSTALLATION

HOTTE

Veillez lire attentivement le présent manuel d'installation avant d'installer l'appareil et conservez-le à portée de la main pour le consulter en tout temps.

FRANÇAIS

SKSHI3601S SKSHI4801S

www.signaturekitchensuite.com

Copyright © 2024 Signature Kitchen Suite. Tous droits réservés

2

TABLE DES MATIÈRES

3 CONSIGNES DE SÉCURITÉ IMPORTANTES

- 3 LISEZ TOUTES LES CONSIGNES AVANT
L'UTILISATION
- 3 MISES EN GARDE

5 INSTALLATION

- 5 Avant l'installation
- 8 Planification de l'installation
- 12 Installation de la hotte

15 ANNEXE

- 15 Schéma de câblage

CONSIGNES DE SÉCURITÉ IMPORTANTES

LISEZ TOUTES LES CONSIGNES AVANT L'UTILISATION

Messages de sécurité

Il est très important d'assurer votre sécurité et celle des autres.

Nous fournissons de nombreux conseils de sécurité importants dans ce manuel et sur votre appareil. Lisez toujours l'ensemble des messages de sécurité et respectez-les.



Ceci est le symbole d'alerte de sécurité.

Ce symbole vous alerte de dangers potentiels qui peuvent causer la mort ou des blessures. Tous les messages de sécurité seront précédés du symbole d'alerte de sécurité et du terme AVERTISSEMENT ou MISE EN GARDE.

Voici le message que ces mots véhiculent :



AVERTISSEMENTS

Vous pouvez être tué ou gravement blessé si vous ne suivez pas les consignes.



MISES EN GARDE

Vous pouvez être légèrement blessé ou pouvez endommager le produit si vous ne suivez pas les consignes.

Tous les messages de sécurité vous indiqueront quel est le danger potentiel, comment réduire les risques de blessures et ce qui peut se produire en cas de non-respect des consignes.

VEUILLEZ LIRE ET CONSERVER CES INSTRUCTIONS

MISES EN GARDE

AVERTISSEMENT

- Pour réduire les risques d'explosion, d'incendie, de mort, de décharge électrique, de brûlure ou de blessures lors de l'utilisation de l'appareil, prenez les précautions élémentaires, y compris les suivantes :

Installation

- Si les instructions de ce manuel ne sont pas suivies à la lettre, un incendie ou une explosion peut se produire et entraîner des dommages matériels, des blessures ou la mort.
- N'utilisez pas de dispositif supplémentaire de contrôle de la vitesse avec cet appareil.
- Pour éviter d'endommager les roulements du moteur et d'avoir des roues bruyantes ou déséquilibrées, évitez que les projections de cloisons sèches, la poussière de construction, etc., n'atteignent le moteur.
- POUR RÉDUIRE LES RISQUES D'INCENDIE, DE DÉCHARGE ÉLECTRIQUE ET DE BLESSURES, RESPECTEZ LES PRÉCAUTIONS SUIVANTES :
 - L'installation et le câblage électrique doivent être effectués par une ou plusieurs personnes qualifiées, conformément à tous les codes et normes applicables, y compris la construction résistante au feu.
 - Il faut suffisamment d'air pour assurer une bonne combustion et l'évacuation des gaz par le conduit (cheminée) de l'équipement de combustion, afin d'éviter tout refoulement. Suivez les directives du fabricant de l'équipement de chauffage et les normes de sécurité telles que celles publiées par la National Fire Protection Association (NFPA), l'American Society for Heating, Refrigeration and Air Conditioning Engineers (ASHRAE) et les autorités locales.
 - Lorsque vous coupez ou percez un mur ou un plafond, assurez-vous de ne pas endommager le câblage électrique et les autres équipements cachés.

4 CONSIGNES DE SÉCURITÉ IMPORTANTES

- Les ventilateurs à conduit doivent toujours être dirigés vers l'extérieur.
- N'installez pas et n'utilisez pas cette hotte si elle a été endommagée, si elle est tombée, si les fils électriques sont endommagés ou si elle ne fonctionne pas correctement. Si le produit est endommagé à la réception, communiquez immédiatement avec le détaillant ou le fabricant.
- Cette hotte doit être installée et mise à la terre par un installateur qualifié conformément à ces instructions d'installation.
- Installez ou placez uniquement cet appareil conformément à ces instructions d'installation et aux exigences spécifiées par le fabricant de la surface de cuisson ou de la cuisinière. Une installation, un réglage, une modification, un service ou un entretien inadéquats peuvent entraîner des blessures graves ou des dommages matériels.
- Le client ne doit pas installer, réparer ni remplacer toute pièce de la hotte, à moins que cela ne soit expressément recommandé dans la documentation accompagnant l'appareil. Tous les autres travaux d'entretien doivent être réalisés par un technicien qualifié.
- Gardez tous les matériaux d'emballage hors de portée des enfants. Les sacs en plastique présentent un risque de suffocation.
- N'utilisez pas de rallonge ou de fiche d'adaptation avec cet appareil.
- L'installateur doit montrer au client l'emplacement de la boîte à fusibles ou du panneau de disjoncteurs afin que le client sache où et comment couper le courant.
- Avant l'installation ou l'entretien de la hotte, coupez l'alimentation à partir de la boîte à fusibles, puis verrouillez la porte du panneau électrique pour empêcher l'activation accidentelle de l'alimentation. Lorsque le panneau électrique ne peut pas être verrouillé, apposez-y un dispositif d'avertissement visible, comme une étiquette.
- Lisez entièrement le manuel d'utilisation avant d'utiliser l'appareil. Nettoyez l'appareil uniquement selon les instructions du manuel d'utilisation. N'utilisez que les nettoyeurs spécifiés.
- Ne modifiez pas les commandes.
- Si la surface de cuisson et la hotte sont installées près d'une fenêtre, veillez à utiliser des garnitures de fenêtre appropriées. Évitez d'utiliser de longs rideaux ou d'autres couvre-fenêtres qui pourraient retomber sur la surface de cuisson et la hotte, car cela pourrait présenter un risque d'incendie.
- Le dégagement vertical minimal entre la surface de cuisson et la partie extérieure de la hotte doit être supérieur à 26 po (66 cm). Le dégagement vertical requis pourrait être plus long en fonction de la cuisinière ou de la surface de cuisson. Consultez les directives d'installation de la cuisinière ou de la surface de cuisson pour connaître le dégagement vertical minimal requis.
- **POUR RÉDUIRE LE RISQUE D'INCENDIE, UTILISEZ UNIQUEMENT DES CONDUITS MÉTALLIQUES.**

GARDEZ CES CONSIGNES

INSTALLATION

Avant l'installation

Avant de commencer

IMPORTANT :

- À l'attention de l'installateur : par mesure de sécurité et pour minimiser les problèmes liés à l'installation, lisez entièrement et attentivement ces instructions avant de commencer le processus d'installation. Laissez ces instructions d'installation au client.
- À l'intention du client : conservez ces instructions d'installation pour vous y reporter ultérieurement et pour l'usage de l'inspecteur électrique local.

PLAQUE SIGNALÉTIQUE DE L'APPAREIL

- La plaque signalétique de l'appareil contient les renseignements sur le modèle et le numéro de série ainsi que les exigences électriques.
- Elle se trouve à l'intérieur de la hotte, derrière les filtres, sur la face arrière du châssis. Vous devez retirer les filtres pour la voir.

Toutes les caractéristiques techniques peuvent faire l'objet de modifications sans préavis.

SIGNATURE KITCHEN SUITE se dégage de toute responsabilité en cas de modification des caractéristiques techniques.

Caractéristiques du produit

Caractéristiques générales

Modèle	SKSHI3601S	SKSHI4801S
Largeur	34 3/8 po (87 cm)	46 3/8 po (118 cm)
Poids	41,8 lb (19 kg)	59,5 lb (27 kg)
Vitesse du ventilateur	5	
Filtre	2 ch.	3 ch.
Total de la puissance raccordée	120 VCA, 60 Hz 4 A	120 VCA, 60 Hz 7 A
Éclairage	120 VCA, bande lumineuse à DEL de 12 W	120 VCA, bande lumineuse à DEL de 12 W

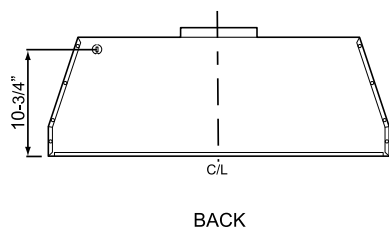
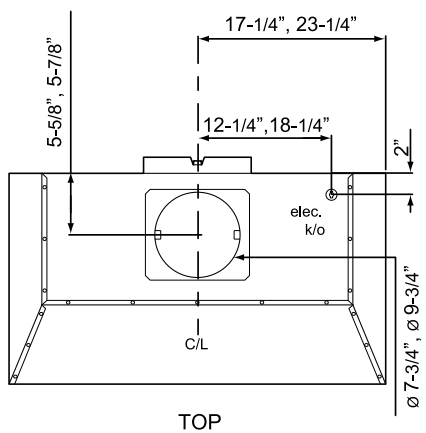
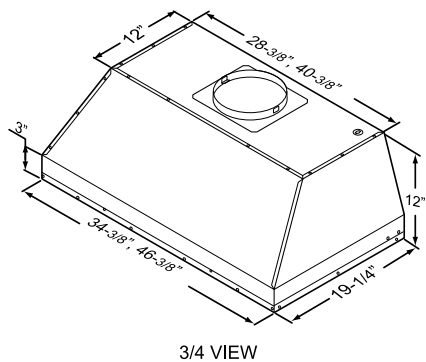
6 INSTALLATION

Dimensions et dégagements

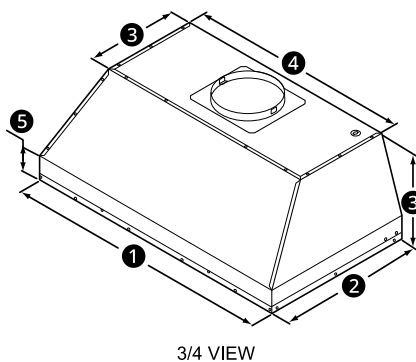
Tolérances : +1,6 mm, -0 (1/16 po, -0), sauf indication contraire.

REMARQUE

- Le conduit d'évacuation ne peut être raccordé que par le haut de la hotte. Le câblage électrique peut être raccordé par le haut ou par l'arrière de la hotte.

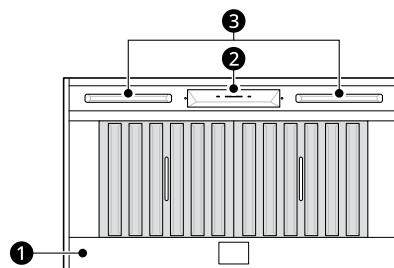


Dimensions générales



-	SKSHI3601S	SKSHI4801S
①	34 3/8 po	46 3/8 po
②	19 1/4 po	19 1/4 po
③	12 po	12 po
④	28 3/8 po	40 3/8 po
⑤	3 po	3 po

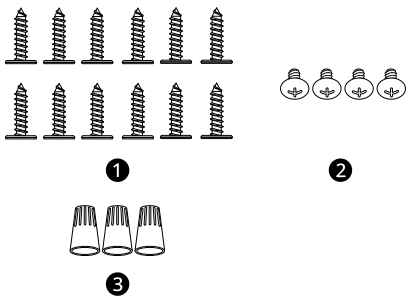
Pièces



- ① Hotte
- ② Panneau de commande
- ③ Cordon lumineux à DEL

Accessoires

Accessoires inclus



- ❶ Vis (12 ch., #8 x 1/2 po)
- ❷ Vis (4, M4 x 1/4 po)
- ❸ Capuchon de fil (3)

⚠ AVERTISSEMENT

- POUR RÉDUIRE LES RISQUES D'INCENDIE, DE DÉCHARGES ÉLECTRIQUES ET DE BLESSURES, LA HOTTE DOIT ÊTRE INSTALLÉE AVEC LES ACCESSOIRES FOURNIS ET MENTIONNÉS DANS CES INSTRUCTIONS POUR EN ASSURER LA COMPATIBILITÉ AVEC CE MODÈLE. IL N'EST PAS POSSIBLE DE LES SUBSTITUER PAR D'AUTRES ACCESSOIRES.

8 INSTALLATION

Planification de l'installation

⚠ AVERTISSEMENT

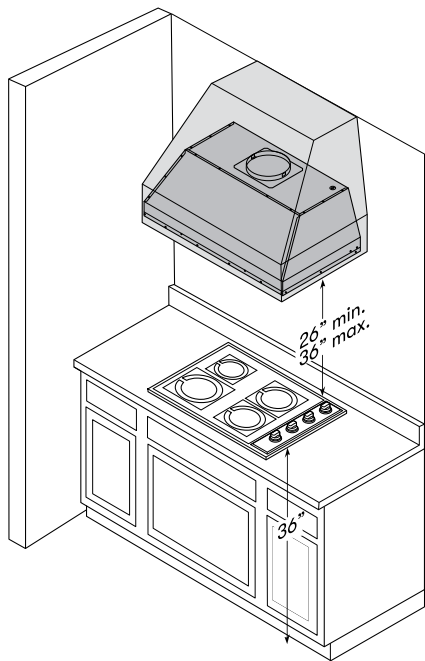
- Veillez à respecter tous les codes et ordonnances en vigueur lors de la planification et de l'installation. Communiquez avec votre service de construction local pour obtenir de plus amples renseignements. N'utilisez que des conduits jugés acceptables par les codes nationaux, municipaux et locaux.

Disposition des armoires

⚠ AVERTISSEMENT

- Afin de réduire le risque de blessures corporelles pouvant être infligées en passant la main au-dessus d'un appareil chaud, il est recommandé d'éviter d'utiliser les espaces de rangement situés directement au-dessus de la cuisinière.

Couvercle de conduit standard



Conduite d'air

Un minimum de 8 po (20 cm) de conduit rond SKSHI3601S doit être utilisé pour maintenir une efficacité maximale du flux d'air.

Un minimum de 10 po (25 cm) de conduit rond SKSHI4801S doit être utilisé pour maintenir une efficacité maximale du flux d'air.

N'utilisez que des conduits métalliques rigides. Les conduits flexibles peuvent réduire le débit d'air jusqu'à 50 %.

Utilisez la **Feuille de calcul des conduits** pour calculer la longueur totale de conduit disponible en utilisant des coudes, des transitions et des capuchons.

TOUJOURS, dans la mesure du possible, réduire le nombre de transitions et de virages. Si un long parcours de gaine est nécessaire, augmenter la taille de la gaine.

S'il est nécessaire de recourir à des coudes ou à des transitions, installez-les aussi loin que possible de la sortie du conduit de la hotte et aussi espacés que possible.

La hauteur minimale d'installation entre le dessus de la cuisinière et le bas de la hotte doit être d'au moins 66 cm (26 po).

La hauteur maximale du support doit être d'au plus 91 cm (36 po) au-dessus du dessus de la cuisinière.

Il est important d'installer la hotte à la bonne hauteur. Une installation trop basse peut entraîner des dommages thermiques et un risque d'incendie, alors qu'une installation trop haute rendra la hotte difficile à atteindre et réduira ses performances et son efficacité.

Si possible, consultez également les exigences du fabricant de la cuisinière en matière de dégagement en hauteur et la hauteur de montage recommandée de la hotte au-dessus de la cuisinière.

⚠ MISE EN GARDE

- **DOMMAGES PENDANT L'EXPÉDITION OU L'INSTALLATION :**
 - Veuillez inspecter complètement le produit pour vérifier qu'il n'est pas endommagé avant de l'installer.
 - Si l'appareil a été endommagé pendant l'expédition, retournez-le au magasin dans lequel il a été acheté afin qu'il soit réparé ou remplacé.
 - Si l'appareil est endommagé par le client, les frais de réparation ou de remplacement sont assumés par le client.
 - Si le produit est endommagé par l'installateur (s'il s'agit d'une personne autre que le client), les frais de réparation ou de remplacement doivent faire l'objet d'un accord entre le client et l'installateur.

Options de canalisation

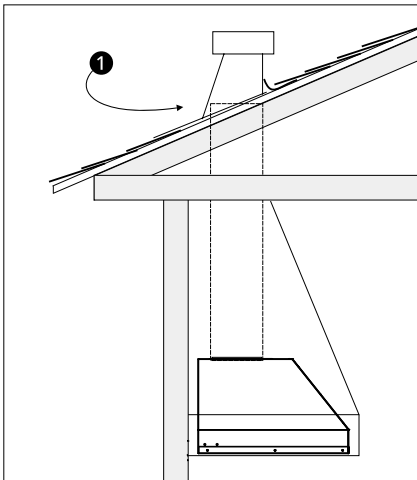
- ② Capuchon de paroi latérale avec clapet anti-refoulement

⚠ AVERTISSEMENT

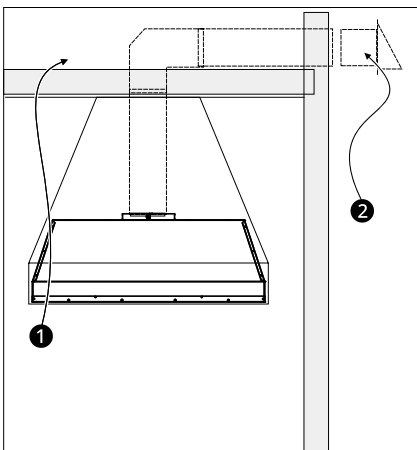
- Risque d'incendie :
 - Ne JAMAIS évacuer l'air ou faire aboutir les conduits dans des espaces entre les murs, des vides sanitaires, des plafonds, des greniers ou des garages.
 - Tous les conduits d'évacuation doivent être dirigés vers l'extérieur.
 - N'utilisez que des conduits en métal.
 - Fixez tous les raccords avec des vis à tôle et collez tous les joints avec du ruban adhésif argenté certifié ou du ruban adhésif pour conduits.

FRANÇAIS

Exemple d'options de canalisation



- ① Pente du toit avec solin et capuchon





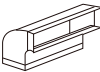
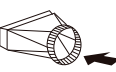
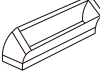
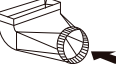

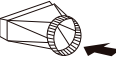
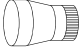


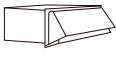

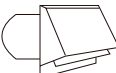




- ① Soffite ou vide sanitaire

10 INSTALLATION

Feuille de calcul des conduits

Longueur maximale des conduits : Pour un mouvement d'air satisfaisant, la longueur totale des conduits ne doit pas dépasser 150 pieds.

Pièces de conduit		Longueur équivalente x quantité utilisée =	Total	Pièces de conduit		Longueur équivalente x quantité utilisée =	Total
	3 1/4 po x 10 po Rect., droit	1 pi x () =	pi		3 1/4 po x 10 po Rect. à 6 po Transition ronde	5 pi x () =	pi
	6 po, 7 po, 8 po, 10 po Rond, droit	1 pi x () =	pi		3 1/4 po x 10 po Rect. à 6 po Transition ronde, coude 90°	20 pi x () =	pi
	3 1/4 po x 10 po Rect., coude 90°	15 pi x () =	pi		6 po Rond à 3 1/4 po x 10 po Rect. transition	1 pi x () =	pi
	3 1/4 po x 10 po Rect., coude 45°	9 pi x () =	pi		6 po rond à 3 1/4 po x 10 po Rect. transition coude 90°	16 pi x () =	pi
	3 1/4 po x 10 po Rect. Coude plat 90°	24 pi x () =	pi		7 po Rond à 3 1/4 po x 10 po Rect. transition	8 pi x () =	pi
	Réducteur conique rond de 7 po à 6 po ou de 8 po à 7 po	25 pi x () =	pi		7 po rond à 3 1/4 po x 10 po Rect. transition coude 90°	23 pi x () =	pi
	6 po, 7 po, 8 po Amortisseur rond en ligne	15 pi x () =	pi		3 1/4 po x 10 po Capuchon mural rectangulaire avec registre	30 pi x () =	pi
	6 po, 7 po, 8 po, 10 po Rond, coude à 90°	15 pi x () =	pi		6 po, 7 po, 8 po, 10 po Rond, capuchon mural avec registre	30 pi x () =	pi
	6 po, 7 po, 8 po, 10 po Rond, coude 45°	9 pi x () =	pi		6 po, 7 po, 8 po, 10 po Ronde, chapeau de toit	30 pi x () =	pi

Pièces de conduit	Longueur équivalente x quantité utilisée =	Total	Pièces de conduit	Longueur équivalente x quantité utilisée =	Total
Sous-total de la colonne 1 =		pi	Sous-total de la colonne 2 =		pi
			Sous-total de la colonne 1 =		pi
			Longueur totale des conduits =		pi

Conseils pour la conception de la canalisation

Dans la mesure du possible, réduisez le nombre de transitions et de virages pour obtenir le moins d'angles aigus possible. Deux angles décalés de 45° sont préférables à un seul angle de 90°.

Éloignez les coudes autant que possible de l'échappement de la hotte, et laissez autant d'espace que possible entre les coudes.

Pour des performances optimales, utilisez des conduits ronds plutôt que rectangulaires, surtout lorsque des coudes sont nécessaires.

Si vous utilisez plusieurs coudes, essayez de garder un minimum de 24 po de conduits droits entre chacun d'eux.

Évitez l'utilisation en « S » ou « dos à dos » des coudes adjacents.

Dans les régions où le temps est extrêmement froid, utilisez des coupures thermiques, comme une courte section de conduit non métallique, pour éviter les pertes de chaleur à l'intérieur. Placez la coupure aussi près que possible du point de passage extérieur.

N'utilisez pas de conduits métalliques flexibles.

N'utilisez pas de conduits dont la section transversale est plus petite que celle des types recommandés ci-dessus.

Alimentation

⚠ AVERTISSEMENT

- Les instructions contenues dans ce manuel doivent être suivies à la lettre. Le non-respect de cette consigne peut entraîner un incendie ou une décharge électrique et provoquer des dommages matériels, des blessures ou la mort.
- Tous les travaux d'électricité doivent être effectués par un électricien qualifié ou une personne ayant des connaissances techniques et une expérience similaires.
- Pour votre sécurité personnelle, retirez le fusible de la maison ou ouvrez le disjoncteur avant de

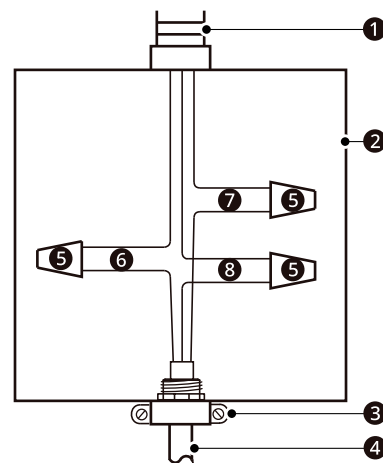
commencer l'installation. N'utilisez pas de rallonge ou de fiche d'adaptation avec cet appareil.

- Veillez à respecter les codes électriques nationaux ou les codes et ordonnances locaux en vigueur.

Alimentation électrique

Cet appareil nécessite une alimentation électrique de 120 V/60 Hz et doit être raccordé à un circuit de dérivation correctement mis à la terre et protégé par un disjoncteur de 15 ou 20 ampères ou un fusible à retardement. Le câblage doit être à deux fils avec mise à la terre. Veuillez également vous reporter à l'étiquette du schéma électrique apposée sur le produit.

Connexion à trois fils à la boîte de jonction,



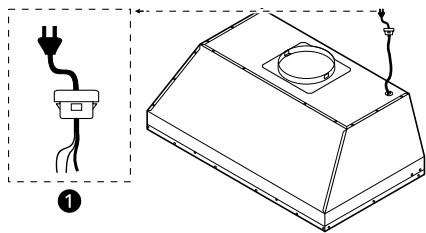
- 1 au panneau du disjoncteur ou à la boîte de fusibles de la maison
- 2 Boîte de jonction
- 3 Réducteur de tension NEMA certifié UL/CSA
- 4 Vers la hotte
- 5 Capuchon de fil

12 INSTALLATION

- 6 Vert
- 7 Blanc
- 8 Noir

Verrou de câble

Les codes locaux peuvent également exiger l'utilisation d'un connecteur de verrouillage de câble ① (non fournis). Vérifiez les exigences et les codes locaux, et achetez et installez le connecteur approprié si nécessaire.



Vérifiez le contenu de l'emballage.

Déballez la boîte contenant les pièces et vérifiez que toutes les pièces et tous les accessoires s'y trouvent. Si un élément est manquant ou endommagé, communiquez immédiatement avec le détaillant. N'installez pas un appareil endommagé ou incomplet.

Assurez-vous d'avoir tout le nécessaire pour une installation correcte avant de poursuivre.

Installation de la hotte

Installation de la hotte

⚠ AVERTISSEMENT

- Installez la hotte uniquement si le service électrique fourni est conforme aux caractéristiques techniques de la hotte.
- Veillez à respecter tous les codes et ordonnances en vigueur pendant l'installation. Communiquez avec votre service de construction local pour obtenir de plus amples renseignements.
- L'installation de cet appareil encastré doit être effectuée par un technicien qualifié. Il faut plus d'une personne pour mettre la hotte en place. Le propriétaire est responsable de s'assurer que la hotte est correctement installée.

Préparation et installation

⚠ MISE EN GARDE

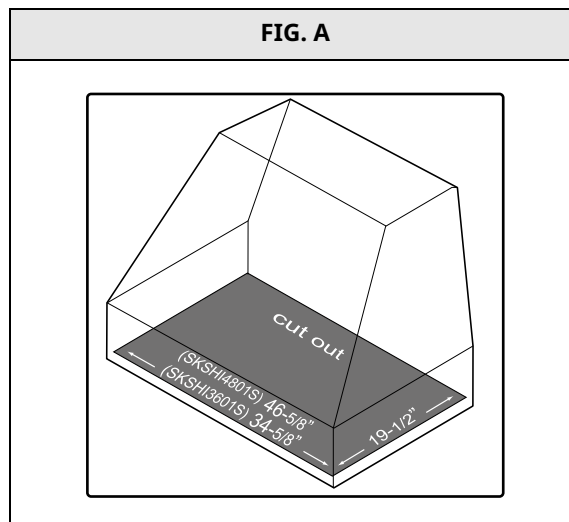
- Il faut au moins deux personnes pour l'installation en raison du poids et de la taille de la hotte.

- 1 Retirez tous les matériaux d'emballage et le film protecteur avant l'installation. Soyez prudent lors de l'installation pour éviter de rayer ou d'endommager l'acier inoxydable.
- 2 Découpez une ouverture dans le fond de l'armoire en suivant les dimensions de la FIG. A.
- 3 Préparez la gaine pour l'installation dans l'armoire en suivant les étapes pour la gaine verticale. Passer à l'étape 4 une fois la préparation terminée.

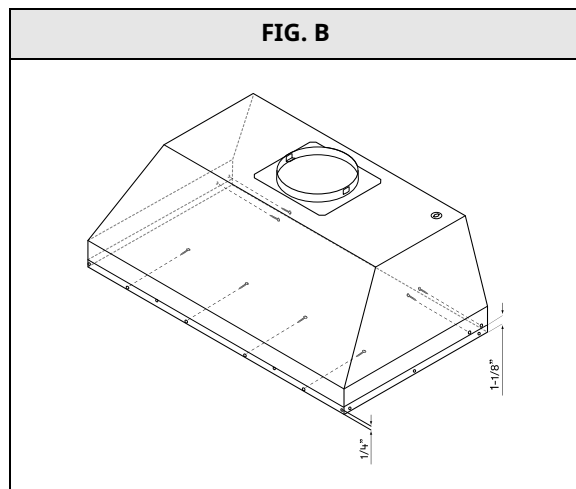
⚠ AVERTISSEMENT

- Assurez-vous que la surface sur laquelle vous fixez le revêtement est capable de supporter le poids de la hotte. Dans le cas contraire, vous risquez de vous blesser ou d'endommager la surface de cuisson ou le comptoir.

FIG. A



- 4** Soulevez la doublure dans l'ouverture inférieure de l'armoire et fixez-la à l'intérieur de l'armoire à l'aide de (8) vis en acier inoxydable #8 x 1/2 po ; (4) vis à l'avant et (4) vis sur les côtés. FIG. B.



- 5** Finalisez l'installation de l'électricité et des conduits. Scellez les conduits avec du ruban adhésif en aluminium certifié pour conduits. Mettez l'appareil sous tension, vérifiez qu'il n'y a pas de fuites autour du ruban adhésif et s'assurer qu'il fonctionne correctement.

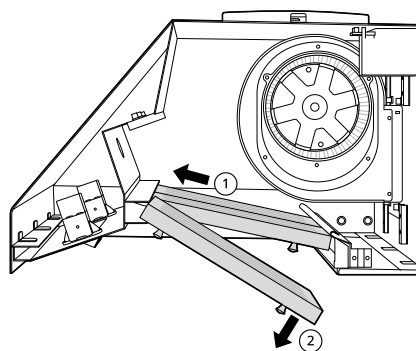
REMARQUE

- Si l'accès à la partie supérieure de la gaine n'est pas possible après l'installation, il peut être nécessaire d'effectuer les raccordements électriques et les raccordements aux conduits avant l'installation de la gaine.

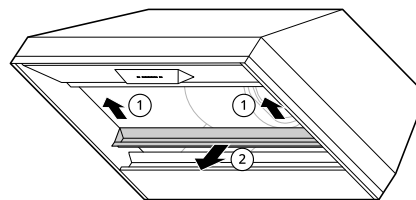
- 6** Réinstallez le panneau inférieur, les panneaux latéraux d'écartement (le cas échéant), le bac à graisse et les filtres déflecteurs précédemment retirés.

Préparation des conduits verticaux

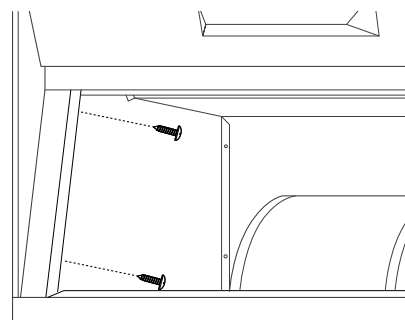
- 1** Retirez les filtres à chicane en : ① En tirant le filtre vers l'avant de la gaine : ② En faisant pivoter l'arrière du filtre vers le bas.



- 2** Retirez le bac à graisse en : ① En tirant le plateau vers le haut pour le dégager du panneau inférieur : ② Soulevez le plateau pour le sortir du corps de l'appareil.

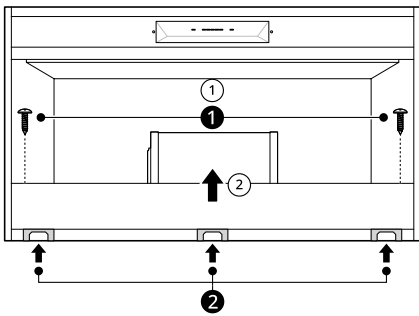


- 3** (Le cas échéant) Retirer les panneaux d'espacement latéraux gauche et droit en retirant les (2) vis situées à l'arrière de chaque panneau.



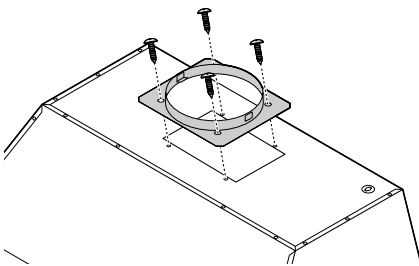
- 4** Retirez le panneau inférieur en procédant comme suit : ① Retirez les (2) vis des côtés gauche et droit du panneau inférieur : ② Tirez le panneau inférieur vers l'avant de la doublure pour le dégager des languettes de verrouillage.

14 INSTALLATION



- ❶ Vis du panneau inférieur
- ❷ Languettes de verrouillage

- 5** Fixez l'adaptateur rond de 8 po ou l'adaptateur rond de 10 po au sommet de la gaine à l'aide de (4) vis M4 x 6 mm.



- 6** La préparation des conduits verticaux est terminée. Reportez-vous à la section Installation de la hotte, étape 4, pour terminer l'installation.

ANNEXE

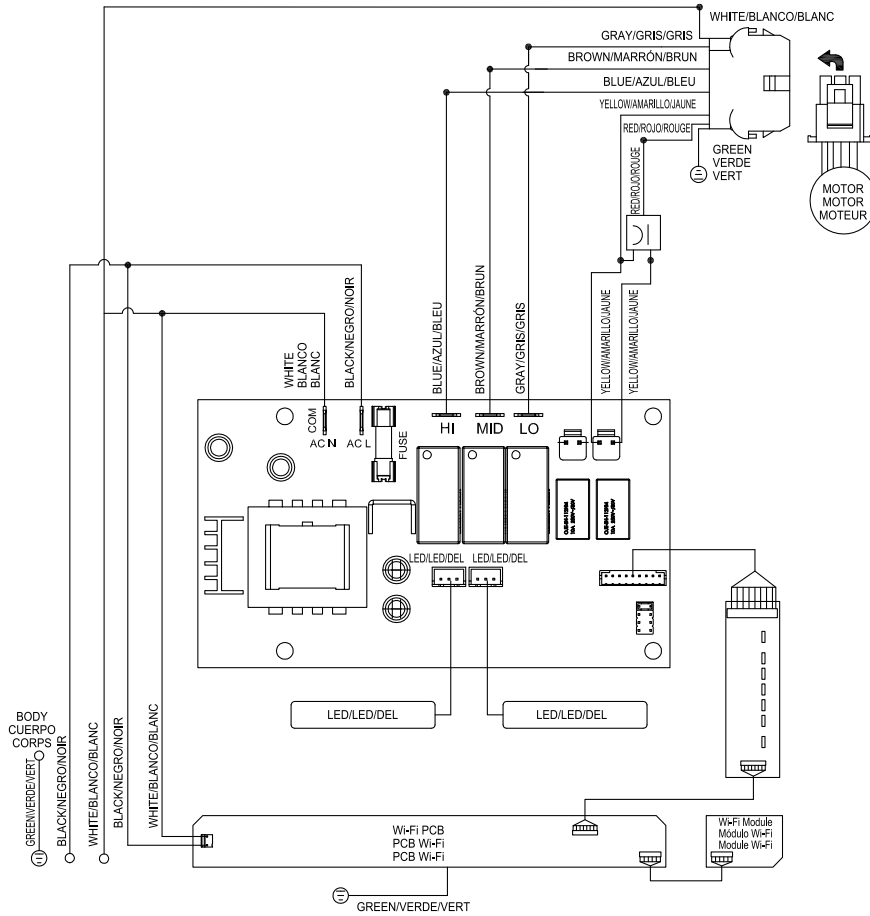
Schéma de câblage

Schéma de câblage

SKSHI3601S

FRANÇAIS

Modèles	Volts	Hz	MAX A
SKSHI3601S	120	60	4

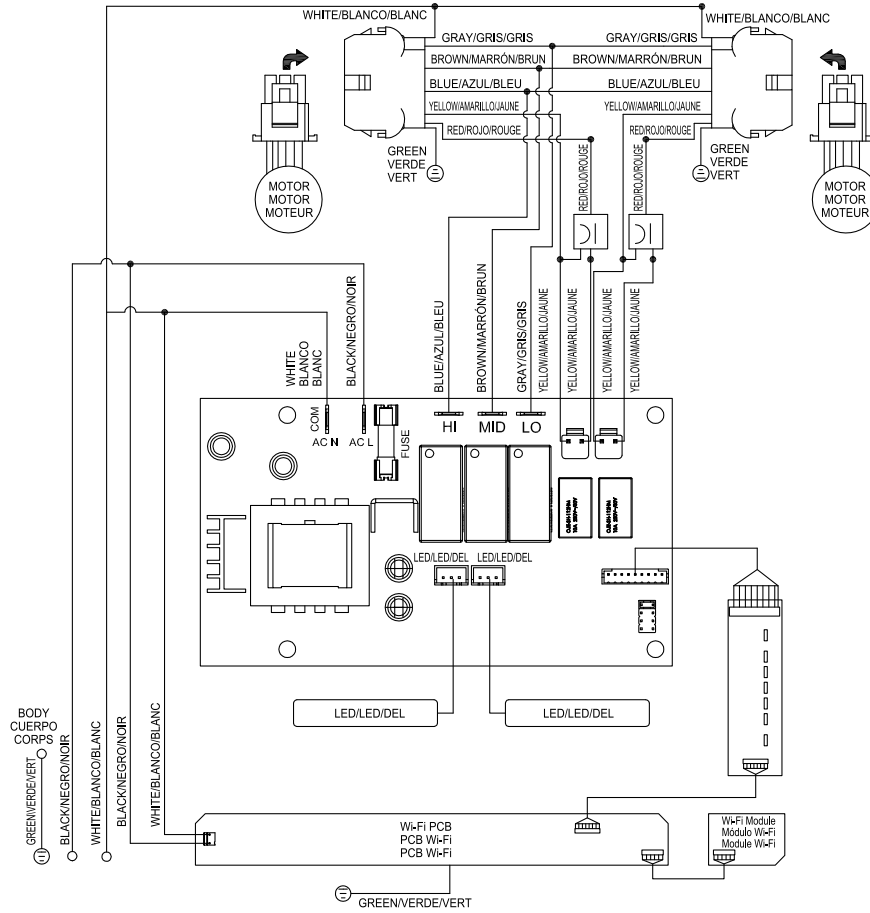


REMARKS: CONDENSER 11+11uF 250VAC 1 FIT AC120V 60Hz
 OBSERVACIONES: CONDENSADOR 11+11uF 250VCA 1 AJUSTE CA120V 60Hz
 NOTES: CONDENSATEUR 11+11uF 250VAC 1 FIT AC120V 60Hz

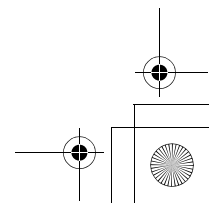
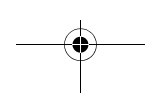
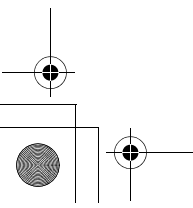
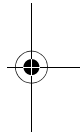
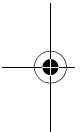
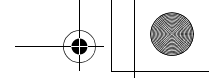
16 ANNEXE

SKSHI4801S

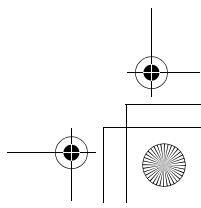
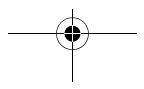
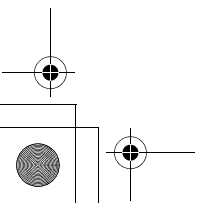
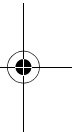
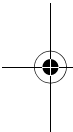
Modèles	Volts	Hz	MAX A
SKSHI4801S	120	60	7

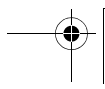
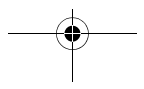
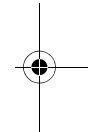
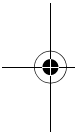
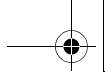


REMARKS:CONDENSER 11+11uF 250VAC 2 FIT AC120V 60Hz
 OBSERVACIONES: CONDENSADOR 11+11uF 250VCA 2 AJUSTE CA120V 60Hz
 NOTES: CONDENSATEUR 11+11uF 250VAC 2 FIT AC120V 60Hz



18 AIDE-MÉMOIRE







Customer Information Center

For inquires or comments, call;

1-855-790-6655 USA, Consumer User

1-888-289-2802 CANADA, Consumer User