

# ME16A4021AS

SAMSUNG

## 1.6 cu. ft. Over-the-Range Microwave with Auto Cook



### Signature Features

#### Auto Cook

- No more guesswork as to how long to microwave a dish. Just enter the food and weight and the pre-programmed setting will cook it perfectly.

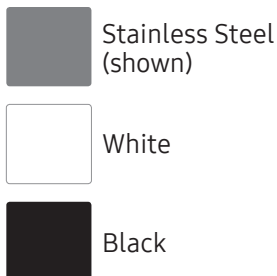
#### 1.6 cu. ft. Capacity

- Accommodates a wide variety of snacks and meals.

#### 2-Speed, 300 CFM Ventilation System

- Powerful 300 CFM ventilation fan quickly and quietly reduces unwanted steam, fumes and cooking odors.

### Available Colors



1.6 cu. ft. Capacity



2-Speed, 300 CFM Ventilation System

### Features

- Auto Cook
- 1.6 cu. ft. Oven Capacity
- 2-Speed, 300 CFM Ventilation System
- 1000 Watts of Cooking Power
- LED Display
- Charcoal/Grease Vent Filter
- 10 Power Levels
- Auto Defrost/Auto Reheat
- +30 Sec Button
- Turntable

### Convenience

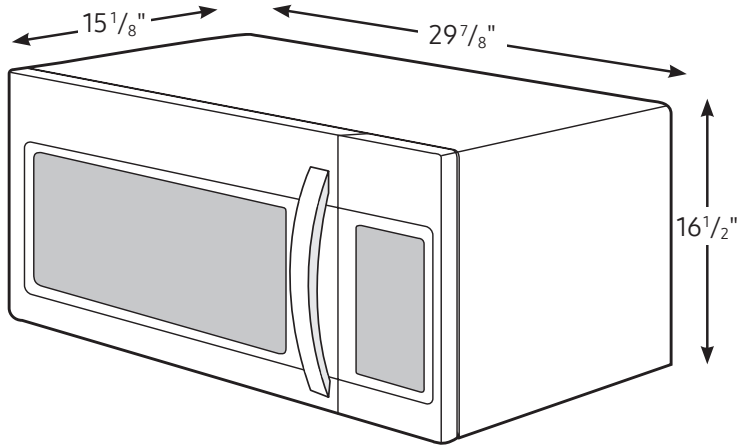
- Eco Mode (Reduces Standby Power)
- Kitchen Timer
- Interior Light: Incandescent (1)
- Cooktop Lighting: High/Low/Off
- Vent Fan Speed: Hi/Low

# ME16A4021AS

SAMSUNG

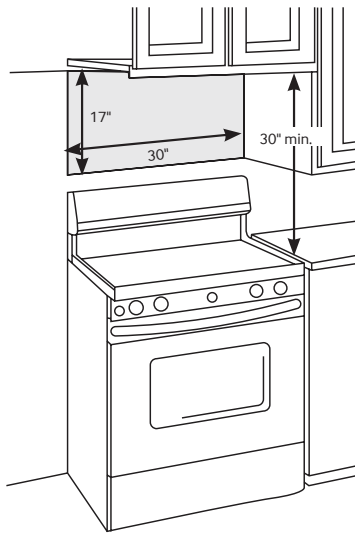
## 1.6 cu. ft. Over-the-Range Microwave with Auto Cook

### Dimensions



### Installing Your Microwave

- This microwave oven is designed for adaptation to the following three types of ventilation:
  - A. Outside Top Exhaust (Vertical Duct)
  - B. Recirculating (Non-Vented Ductless)
  - C. Outside Back Exhaust (Horizontal Duct)
- The space between the cabinets must be 30" wide and free of obstructions.
- This microwave oven is for installation over ranges up to 36" wide.
- The microwave must be level. Use a level to make sure the cabinet bottom is level. If the cabinets have a front overhang only, with no back or side frame, install the mounting plate down the same distance as the front overhang depth. This will keep the microwave level.



FOR EASIER INSTALLATION AND PERSONAL SAFETY, WE RECOMMEND THAT TWO PEOPLE INSTALL THIS MICROWAVE OVEN. IMPORTANT: Do not grip or use handle during installation.

NOTE: If your cabinet is metal, use the nylon grommet around the power cord hole to prevent cutting of the cord.

NOTE: We recommend using filler blocks if the cabinet front hangs below the cabinet bottom shelf.

IMPORTANT: If filler blocks are not used, case damage may occur from overtightening screws.

NOTE: When mounting the microwave oven, thread power cord through hole in bottom of top cabinet. Do not pinch cord or lift oven by pulling cord.

### Specifications

- Oven Cavity: 1.6 cu. ft.
- Power Output: 1000W
- Power Consumption: 1580W/13.5 A
- Power Source: 120V/60 Hz
- Control Method: Digital (Membrane Touch)
- Display: LED
- Cooking Control: 10 Power Levels Including Defrost
- Cooking Timer: Digital, 99 Minutes, 99 Seconds
- Turntable
- Glass Turntable Diameter: 11 1/2"
- Vent Fan: 300 CFM
- Vent Fan Speed: Hi/Low
- Cooktop Lighting: High/Low/Off

### Warranty

One (1) Year All Parts and Labor  
Ten (10) Years Parts on Magnetron

### Product Dimensions & Weight (WxHxD)

Cavity Dimensions: 19<sup>5</sup>/<sub>16</sub>" x 9<sup>5</sup>/<sub>8</sub>" x 14<sup>3</sup>/<sub>8</sub>"  
Outside Net Dimensions: 29<sup>7</sup>/<sub>8</sub>" x 16<sup>1</sup>/<sub>2</sub>" x 15<sup>1</sup>/<sub>8</sub>"  
Weight: 44.2 lbs. (Stainless Steel)  
43.3 lbs. (White, Black)

### Shipping Dimensions & Weight (WxHxD)

Dimensions: 33<sup>3</sup>/<sub>8</sub>" x 19<sup>15</sup>/<sub>16</sub>" x 19<sup>13</sup>/<sub>32</sub>"  
Weight: 51.8 lbs. (Stainless Steel)  
50.8 lbs. (White, Black)

### Color

Stainless Steel  
White  
Black

### Model #

ME16A4021AS  
ME16A4021AW  
ME16A4021AB

### UPC Code

887276532936  
887276532943  
887276532929