



ENGLISH

ESPAÑOL

FRANÇAIS

# INSTALLATION GUIDE

# HOOD

**Read these instructions thoroughly before installing and operating the hood.**

LSHD3689BD    LSHD3089BD  
LSHD3680ST    LSHD3080ST  
HCED3615S    HCED3015S



MFL70208702\_03

[www.lg.com](http://www.lg.com)

Copyright © 2017 - 2019 LG Electronics Inc. All Rights Reserved.

# TABLE OF CONTENTS

## **3 BEFORE YOU BEGIN**

---

## **4 IMPORTANT SAFETY INSTRUCTIONS**

---

## **7 PRODUCT SPECIFICATIONS**

---

- 7 General Specifications
- 8 Dimensions

## **9 PRODUCT OVERVIEW**

---

- 9 Parts
- 9 Accessories

## **10 PLANNING THE INSTALLATION**

---

- 10 Cabinet Layout
- 11 Ducting Options
- 12 Ducting Calculation Sheet
- 13 Power Supply
- 13 Verify the Package Contents

## **14 INSTALLATION INSTRUCTIONS**

---

- 14 Mounting the Range Hood

## **15 WIRING DIAGRAM**

---

# BEFORE YOU BEGIN

## IMPORTANT:

- **Installer:** In the interest of safety and to minimize problems, read these installation instructions completely and carefully before you begin the installation process. Leave these installation instructions with the customer.
- **Customer:** Keep these installation instructions for future reference and the local electrical inspector's use.

## APPLIANCE DATA PLATE

- The appliance data plate contains the model and serial number information and the electrical requirements.
- It is located inside the hood behind the filters on the back side of the chassis. Remove the filters to view it.

**All specifications subject to change without notice. LG assumes no liability for changes to specifications.**

## IMPORTANT SAFETY INSTRUCTIONS

Read and follow all instructions when using the range to prevent the risk of fire, electric shock, personal injury, or damage. This guide does not cover all possible conditions that may occur. Always contact your service agent or manufacturer about problems that you do not understand.

Download this owner's manual at: <http://www.lg.com>



This is the safety alert symbol. This symbol alerts you to potential hazards that can result in property damage and/or serious bodily harm or death.

All safety messages will follow the safety alert symbol and either the word **WARNING** or **CAUTION**. These words mean:



**WARNING** - Indicates a hazardous situation which, if not avoided, could result in death or serious injury.



**CAUTION** - Indicates a hazardous situation which, if not avoided, could result in minor or moderate injury.



### **WARNING**

- To avoid the possibility of explosion or fire, do not store or use combustible, flammable or explosive vapors and liquids (such as gasoline) inside or in the vicinity of this or any other appliance. Also keep items that could explode, such as aerosol cans away from cooktop burners, ovens and range hoods. Do not store flammable or explosive materials in adjacent cabinets or areas.
- If the information in this manual is not followed exactly, a fire or explosion may result causing property damage, personal injury or death.
- **Do not use an additional speed control device with this unit.**
- **To avoid motor bearing damage and noisy and/or unbalanced impellers, keep drywall spray, construction dust, etc. off power unit.**
- **Your ventilator motor has a thermal overload which will automatically shut off the motor if it becomes overheated. The motor will restart when it cools down. If the motor continues to shut off and restart, have the product serviced.**
- **TO REDUCE THE RISK OF FIRE, ELECTRIC SHOCK, OR INJURY TO PERSONS, OBSERVE THE FOLLOWING:**
  - Use this unit only in the manner intended by the manufacturer. If you have questions, contact the manufacturer.
  - Before servicing or cleaning unit, switch power off at service panel and lock the electrical panel door to prevent power from being switched on accidentally. When the electrical panel door cannot be locked, securely fasten a prominent warning device, such as a tag, to the service panel.

 **WARNING**

- **TO REDUCE THE RISK OF FIRE, ELECTRIC SHOCK, OR INJURY TO PERSONS, OBSERVE THE FOLLOWING:**
  - Installation work and electrical wiring must be done by qualified person(s) in accordance with all applicable codes and standards, including fire-rated construction.
  - Sufficient air is needed for proper combustion and exhausting of gases through the flue(chimney) of fuel burning equipment to prevent back drafting. Follow the heating equipment manufacturer's guidelines and safety standards such as those published by the National Fire Protection Association (NFPA), and the American Society for Heating, Refrigeration and Air Conditioning Engineers (ASHRAE), and the local code authorities.
  - When cutting or drilling into wall or ceiling, do not damage electrical wiring and other hidden utilities.
  - Ducted fans must always be vented to the outdoors.

 **CAUTION**

For general ventilating use only. Do not use to exhaust hazardous or explosive materials and vapors.

**GENERAL SAFETY PRECAUTIONS**

To reduce the risk of fire, electric shock, serious injury or death when using the appliance, follow basic safety precautions, including the following:

 **WARNING**

- Do not install or operate this hood if it has been damaged, dropped, has damaged electrical wires or is not working properly. If the product is damaged when received, immediately contact the dealer or builder.
- This range hood must be installed and grounded by a qualified installer according to these installation instructions.
- Install or locate this appliance only in accordance with these installation instructions and the requirements specified by the manufacturer of the cooktop or range. Improper installation, adjustment, alteration, service or maintenance can cause serious personal injury or property damage.
- The customer should not install, repair or replace any part of the range hood unless specifically recommended in the literature accompanying it. A qualified service technician should perform all other service.
- Keep all packaging materials away from children. Plastic bags can cause suffocation.
- Do not use an extension cord or adapter plug with this appliance.
- The installer must show the customer the location of the fuse box or circuit breaker panel box so that the customer knows where and how to turn the power off.
- Before installing or servicing the range hood, switch power off at the fuse box circuit breaker and lock the electrical panel door to prevent power from being switched on accidentally. When the electrical panel cannot be locked, securely fasten a prominent warning device, such as a tag, to the electrical panel.
- Read the owner's manual completely before using the appliance. Clean the appliance only as instructed in the owner's manual. Use only the cleaners specified.
- Do not tamper with the controls.

 **WARNING**

- Never allow the filter(s) to become blocked or clogged. Do not allow foreign objects, such as cigarettes or napkins, to be sucked into the hood.
- Clean the filter(s) and all grease-laden surfaces often to prevent grease fires and maintain performance.
- If the cooktop and range hood are near a window, use an appropriate window treatment. Avoid long drapes or other window coverings that could blow over the cooktop and hood, resulting in a fire hazard.
- Always run the fan(s) whenever the cooktop is operating.
- Never leave the range or cooktop unattended when a burner (or element) is in use. Boil-overs and greasy spills may smoke and/or ignite.
- Do not leave children alone or unattended in the area where the cooktop and range hood are in use. Never allow children to sit or stand on an appliance. Do not let children play with a range, cooktop or range hood. Do not store items of interest to children above or around the cooktop, range or range hood.
- The minimum vertical distance between the cooktop surface and the exterior part of the hood must be no less than 26" (66 cm). The vertical distance required may be longer for the range or cooktop being used. Consult the range or cooktop installation instructions for the minimum and maximum vertical distance from the appliance being used.
- TO REDUCE THE RISK OF FIRE, USE ONLY METAL DUCT WORK.

**READ AND SAVE THESE INSTRUCTIONS**

# PRODUCT SPECIFICATIONS

## General Specifications

### All Models

<b>Fan Speeds</b>	5
<b>Filters</b>	Aluminum mesh filters
<b>Total Connect Load</b>	120 VAC, 60 Hz, 4 Amp.
<b>Lights</b>	120 VAC, 8 W LED light strip

### Model Specific

<b>Model Number</b>	LSHD3689BD, LSHD3680ST, HCED3615S, LSHD3089BD, LSHD3080ST, HCED3015S
<b>Filters</b>	2

### Weight Specifications

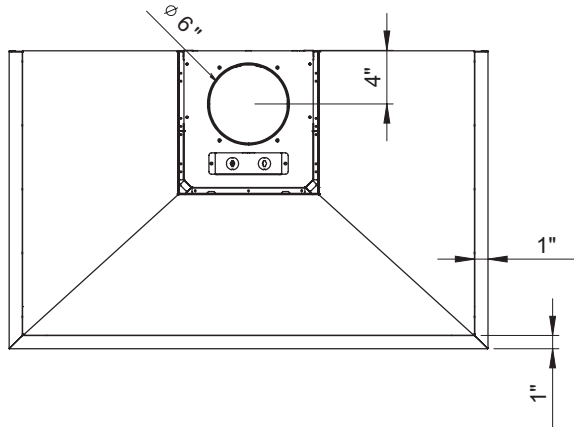
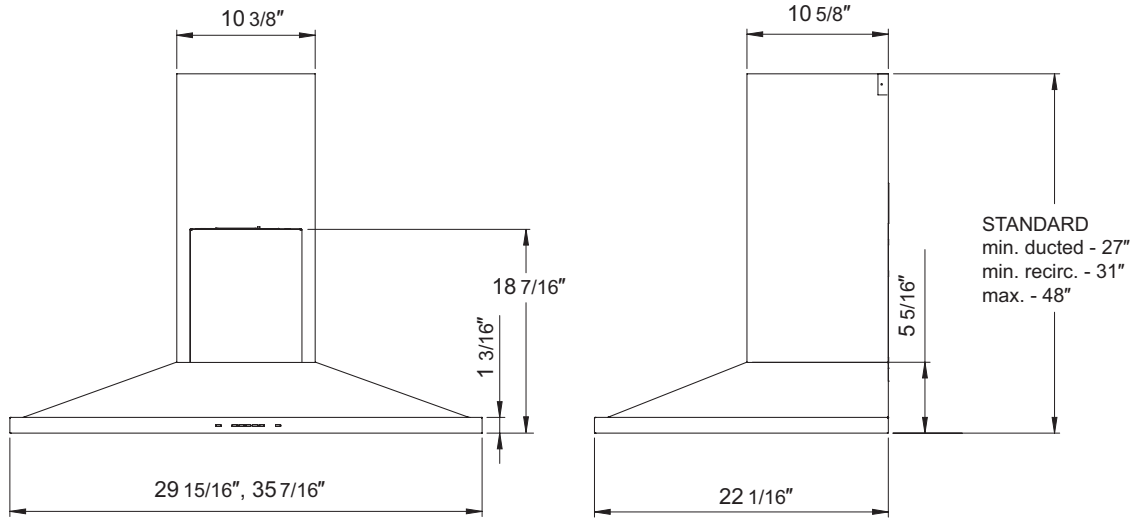
Model Number	Weight
LSHD3689BD, LSHD3680ST, HCED3615S	37 lb. (17 kg)
LSHD3089BD, LSHD3080ST, HCED3015S	35 lb. (16 kg)

## Dimensions

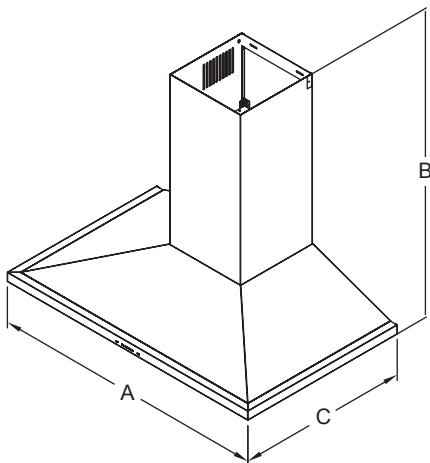
Tolerances: +1/16", -0 (1.6 mm, -0), unless otherwise stated.

**NOTE**

The exhaust duct(s) and electrical wiring can be connected from either the top or the back of the hood.



### Overall Dimensions

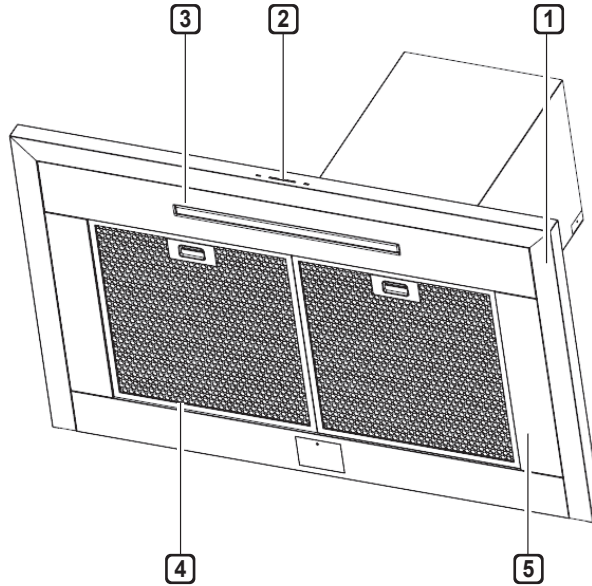


Model	A	B	C
LSHD3689BD, LSHD3680ST, HCED3615S	36"	26 15/16"	22 1/16"
LSHD3089BD, LSHD3080ST, HCED3015S	30"	26 15/16"	22 1/16"



# PRODUCT OVERVIEW

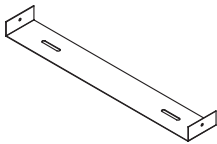
## Parts



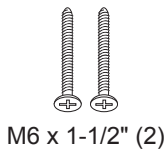
- 1 Hood
- 2 Icon Touch Control Panel
- 3 LED Strip Light
- 4 Mesh Filter
- 5 Side Panel  
(Only for LSHD3689BD, LSHD3680ST, HCED3615S)

## Accessories

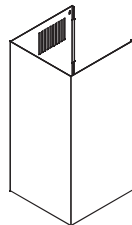
### Included Accessories



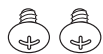
Duct cover bracket



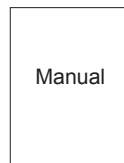
M6 x 1-1/2" (2)



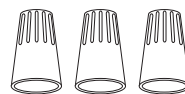
Duct cover



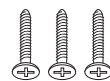
M4 x 8 (2)



Manual



Wire Caps (3)



M6 x 1" (3)

# PLANNING THE INSTALLATION

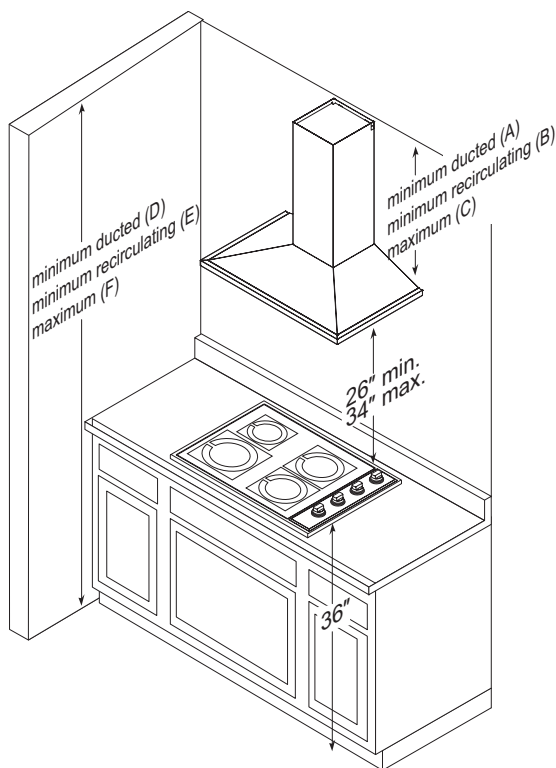
## WARNING

Observe all governing codes and ordinances during planning and installation. Contact your local building department for further information. Use only duct work deemed acceptable by state, municipal and local codes.

## Cabinet Layout

## WARNING

To reduce the risk of personal injury caused by reaching over a hot appliance, cabinet storage space located directly above the range should be avoided.



## Minimum Cabinet Width

		Standard Duct Cover
Hood Heights	minimum ducted (A)	27"
	minimum recirculating (B)	31"
	maximum (C)	48-1/2"
Ceiling Heights	minimum ducted (D)	89" (7' 5")
	minimum recirculating (E)	93" (7' 9")
	maximum (F)	118" (9' 10")

## Ducting

A minimum of 6" round duct must be used to maintain maximum air flow efficiency.

Always use rigid metal ducts only. Flexible ducts could restrict air flow by up to 50%.

Also use calculation (on page 12) to compute total available duct run when using elbows, transitions and caps.

ALWAYS, when possible, reduce the number of transitions and turns. If long duct run is required, increase duct size from 6" to 7" or 8".

If turns or transitions are required, install as far away from hood duct output and as far apart as possible.

Minimum mount height between range top to hood bottom should be no less than 26".

Maximum mount height should be no higher than 34".

It is important to install the hood at the proper mounting height. Mounting the hood too low could result in heat damage and fire hazard. Mounting the hood too high will make it hard to reach and reduce its performance and efficiency.

If available, also refer to the range manufacturer's height clearance requirements and recommended hood mounting height above range.

## CAUTION

### DAMAGE DURING SHIPPING / INSTALLATION:

- Please fully inspect unit for damage before installation.
- If the unit is damaged in shipment, return the unit to the store in which it was bought for repair or replacement.
- If the unit is damaged by the customer, repair or replacement is the responsibility of the customer.
- If the unit is damaged by the installer (if other than the customer), repair or replacement must be made by arrangement between customer and installer.

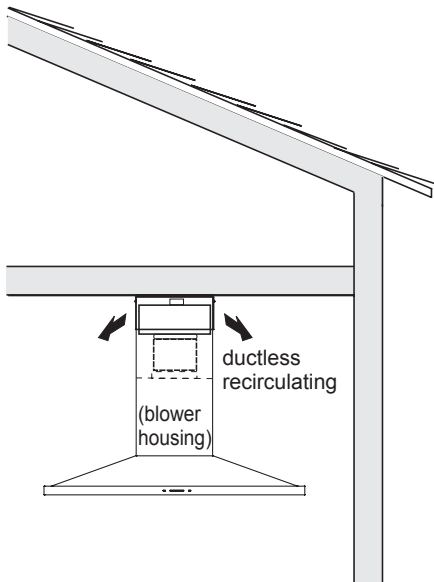
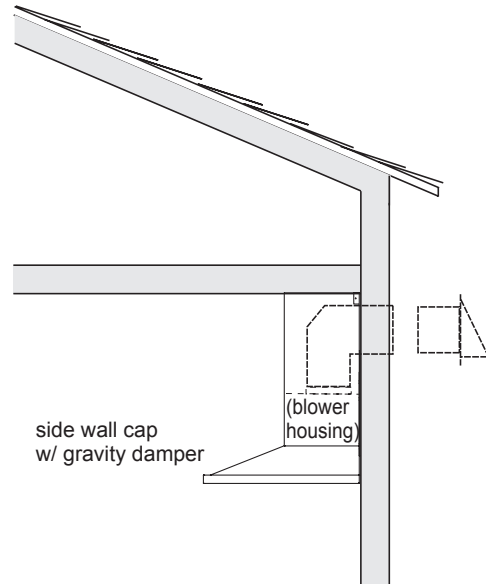
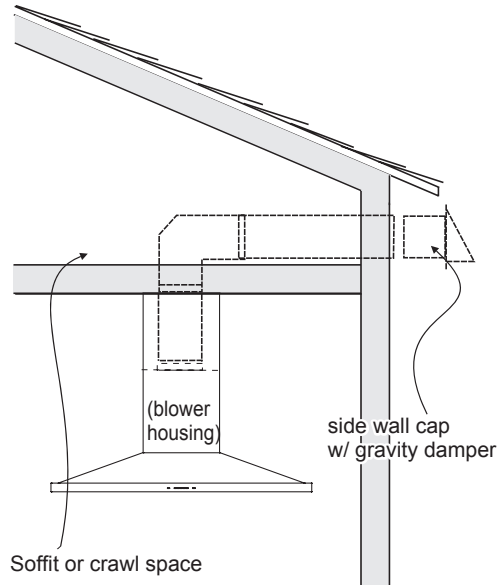
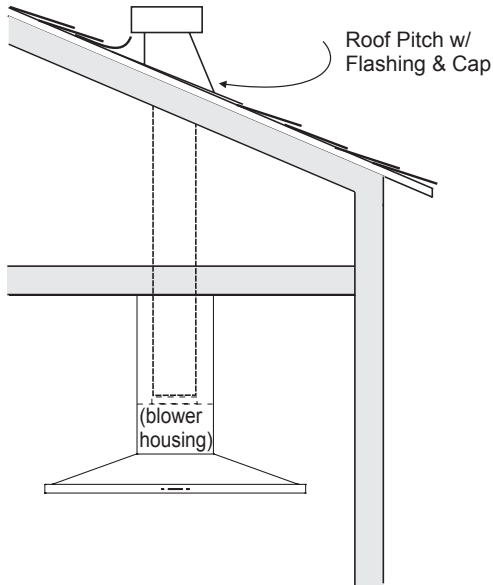
## Ducting Options

### **! WARNING**




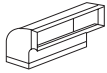
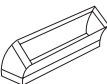
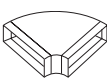
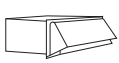
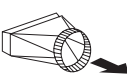
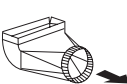


#### Fire Hazard

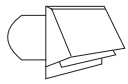

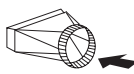
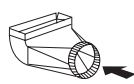
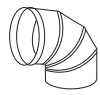

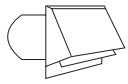

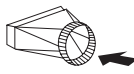
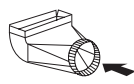
- NEVER exhaust air or terminate duct work into spaces between walls, crawl spaces, ceiling, attics or garages.
- All exhaust must be ducted to the outside.
- Use metal ductwork only.
- Fasten all connections with sheet metal screws and tape all joints with certified Silver Tape or Duct Tape.

### Sample Ducting Options



## Ducting Calculation Sheet

Duct pieces	Equivalent length x number used =	Total
 3-1/4" x 10" Rect., straight	1 Ft. x ( ) =	Ft.
 6" Round, straight	1 Ft. x ( ) =	Ft.
 7"-10" Round, straight	1 Ft. x ( ) =	Ft.
 3-1/4" x 10" Rect. 90° elbow	15 Ft. x ( ) =	Ft.
 3-1/4" x 10" Rect. 45° elbow	9 Ft. x ( ) =	Ft.
 3-1/4" x 10" Rect. 90° flat elbow	24 Ft. x ( ) =	Ft.
 3-1/4" x 10" Rect. wall cap with damper	30 Ft. x ( ) =	Ft.
 3-1/4" x 10" Rect. to 6" round transition	5 Ft. x ( ) =	Ft.
 3-1/4" x 10" Rect. to 6" round transition 90° elbow	20 Ft. x ( ) =	Ft.
 6" Round, 90° elbow	15 Ft. x ( ) =	Ft.
 6" Round, 45° elbow	9 Ft. x ( ) =	Ft.
Subtotal column 1 =		Ft.

Duct pieces	Equivalent length x number used =	Total
 6" Round wall cap with damper	30 Ft. x ( ) =	Ft.
 6" Round, roof cap	30 Ft. x ( ) =	Ft.
 6" round to 3-1/4" x 10" rect. transition	1 Ft. x ( ) =	Ft.
 6" round to 3-1/4" x 10" rect. transition 90° elbow	16 Ft. x ( ) =	Ft.
 7" - 10" Round, 90° elbow	15 Ft. x ( ) =	Ft.
 7" - 10" Round, 45° elbow	9 Ft. x ( ) =	Ft.
 7" - 10" Round wall cap with damper	30 Ft. x ( ) =	Ft.
 7" - 10" Round, roof cap	30 Ft. x ( ) =	Ft.
 7" round to 3-1/4" x 10" rect. transition	8 Ft. x ( ) =	Ft.
 7" round to 3-1/4" x 10" rect. transition 90° elbow	23 Ft. x ( ) =	Ft.
Subtotal column 2 =		Ft.
Subtotal column 1 =		Ft.
Total ductwork =		Ft.

**Maximum Duct Length:** For satisfactory air movement, the total duct length should not exceed 100 equivalent feet.

## Ductwork Design Tips

Wherever possible, reduce the number of transitions and turns to as few sharp angles as possible. Two staggered 45° angles are better than one 90°.

Keep turns as far away from the hood exhaust as possible, and allow as much space between bends as possible.

For best performance, use round ducts instead of rectangular, especially when elbows are required.

If multiple elbows are used, try to keep a minimum of 24" of straight duct between them.

Avoid "S" or "back to back" use of adjacent elbows.

In regions where the weather gets extremely cold, use thermal breaks, such as a short section of non-metallic duct, to avoid indoor heat loss. Locate the break as close as possible to the outside pass-through point.

Do not use flexible metal duct.

**Do not** use ductwork that is smaller in cross-sectional area than the recommended types above.

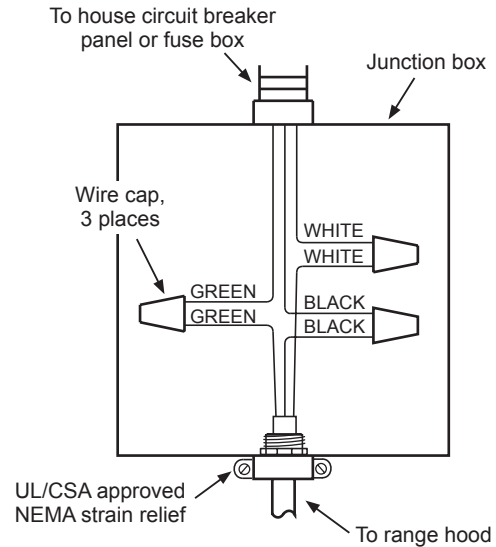
## Power Supply

### WARNING

- The information in this manual should be followed exactly. Failure to do so could result in fire or electrical shock, causing property damage, personal injury or death.
- **All electrical work must be performed by qualified electrician or person with similar technical knowledge and background.**
- For personal safety, remove house fuse or open circuit breaker before beginning installation. Do not use extension cord or adapter plug with this appliance.
- **Follow national electrical codes or prevailing local codes and ordinances.**

## Electrical Supply

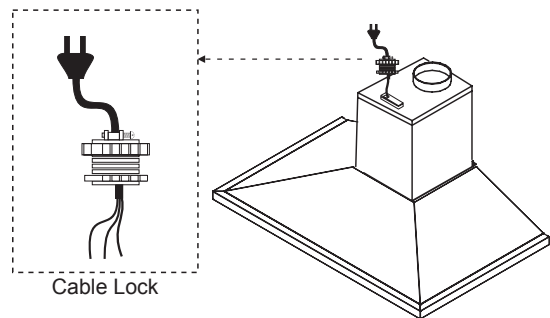
This appliance requires a 120V 60Hz electrical supply, and must be connected to an individual, properly grounded branch circuit, protected by a 15 or 20 ampere circuit breaker or time delay fuse. Wiring must be 2 wire w/ ground. Please also refer to the Electrical Diagram label on product.



3 Wire Connection to Junction Box

## Cable Lock

A cable locking connector (not supplied) might also be required by local codes. Check with local requirements and codes, and purchase and install appropriate connector if necessary.



## Verify the Package Contents

Unpack the parts box and verify that all parts and accessories have been included. If any item is missing or damaged, please contact the dealer immediately. Do not install a damaged or incomplete appliance.

Make sure you have everything necessary for proper installation before proceeding.

# INSTALLATION INSTRUCTIONS

## ⚠ WARNING

- Do not install the range hood unless the electrical service provided meets the range hood specifications.
- Observe all governing codes and ordinances during installation. Contact your local building department for further information.
- A qualified technician must complete the installation of this built-in appliance. More than one person is required to raise the hood into place. The owner is responsible to make sure the hood is properly installed.

## Mounting the Range Hood

### Mounting Under a Kitchen Cabinet

## ⚠ CAUTION

At least two installers are required due to the weight and size of the hood.

- 1 Measure from range top to desired hood bottom and mark line A. (26" minimum from range top).
- 2 Plumb and mark center line.
- 3 Mark hood height line B. (18-7/16" from line A)
- 4 Mark mounting spread from center line. (8-7/8" on line B)
- 5 Fasten (2) M4 x 1-1/2" screws into studs on line B but do not tighten all the way.

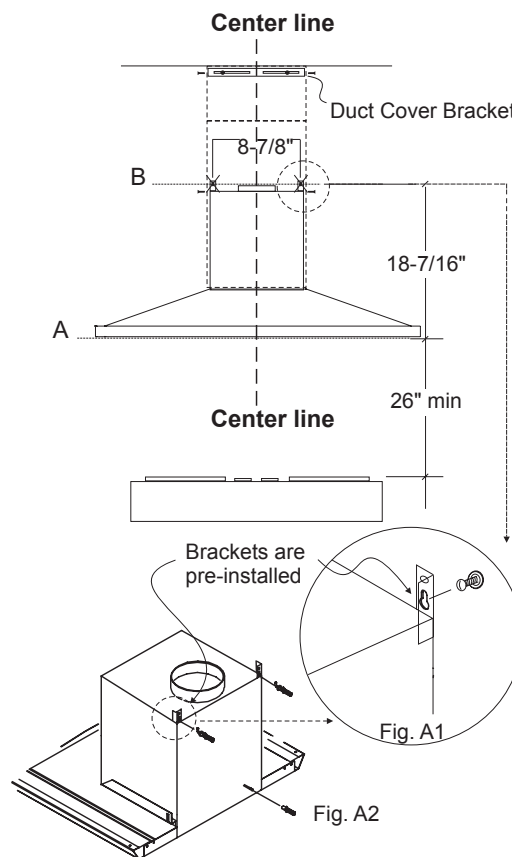
## NOTE

Wood blocking may need to be added behind the drywall if no studs are present. Wall anchors may also be used but check local codes for compliance. Failure to use suitable wall anchors and screws to hold the weight of the hood could result in personal injury or damage to cooking surface or counter.

- 6 Remove the (2) aluminum mesh filters.
- 7 Hang hood onto the mounting screws and hand tighten each screw. (Fig A1) Secure a third M4 x 1-1/2" screw through inside of hood into wall for extra support (Fig A2)

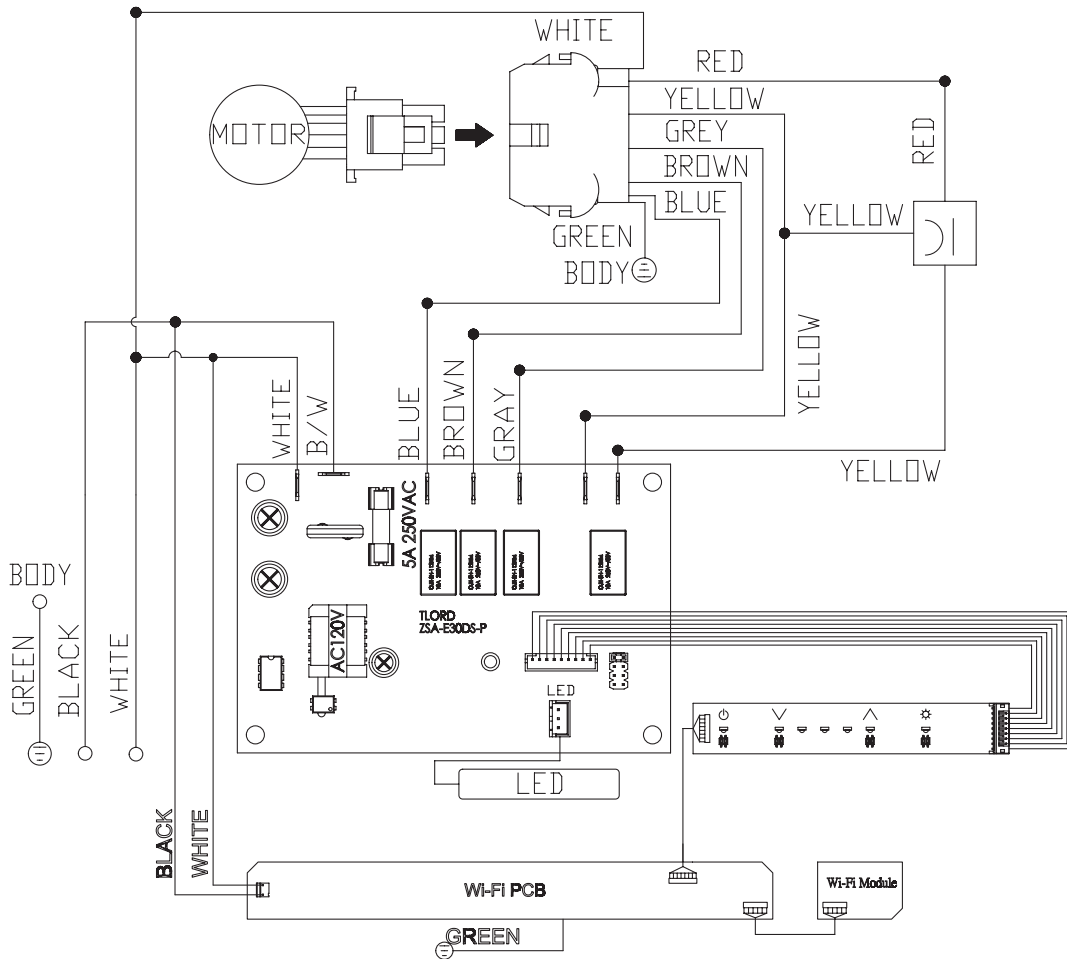
- 8 Center and attach duct cover mounting bracket to wall just below the ceiling or soffit using (2) M4 x 1" screws.
- 9 Install electrical and duct work. Seal duct work with aluminum duct tape
- 10 Power up hood and check for leaks around duct tape.
- 11 Place telescopic duct covers onto hood and extend inner (top) duct cover upwards and secure to duct cover bracket using (2) M4 x 8 screws. Reinstall mesh filters.

- If using hood in recirculating mode you must secure the air diverter plate onto wall before installing duct work and duct covers. You will also need to install charcoal filters and brackets.



# WIRING DIAGRAM

Models	Volts	HZ	MAX Amps
LSHD3089BD LSHD3080ST HCED3015S LSHD3689BD LSHD3680ST HCED3615S	120	60	4



REMARKS: CONDENSER 12.5+12.5uF 250VAC FIT AC120V 60Hz

# MEMO





ESPAÑOL

# GUÍA DE INSTALACIÓN CAMPANA

**Lea atentamente estas instrucciones antes de instalar y poner la campana en funcionamiento.**

LSHD3689BD    LSHD3089BD  
LSHD3680ST    LSHD3080ST  
HCED3615S    HCED3015S



MFL70208702\_03

[www.lg.com](http://www.lg.com)

Copyright © 2017 - 2019 LG Electronics Inc. Todos los Derechos Reservados.

# ÍNDICE

## **3 ANTES DE COMENZAR**

---

## **4 INSTRUCCIONES IMPORTANTES DE SEGURIDAD**

---

## **7 ESPECIFICACIONES DEL PRODUCTO**

---

- 7 Especificaciones generales
- 8 Dimensiones

## **9 DESCRIPCIÓN GENERAL DEL PRODUCTO**

---

- 9 Piezas
- 9 Lista de piezas

## **10 PLANIFICACIÓN DE LA INSTALACIÓN**

---

- 10 Disposición de alacenas
- 11 Opciones de conducto
- 12 Hoja de cálculo de conducto
- 13 Suministro de energía
- 13 Verifique el contenido del embalaje

## **14 INSTRUCCIONES DE INSTALACIÓN**

---

- 14 Montaje de la campana extractora

## **15 DIAGRAMA DE CABLEADO**

---

# ANTES DE COMENZAR

## IMPORTANTE:

- Instalador: Para preservar la seguridad y reducir los posibles problemas, lea estas instrucciones para la instalación por completo antes de comenzar el proceso de instalación. Deje estas instrucciones al cliente.
- Cliente: Conserve estas instrucciones de instalación para referencia futura y para que las consulte el inspector

ESPAÑOL

## PLACA DE DATOS DEL ARTEFACTO

- La placa de datos de este artefacto contiene información del número de serie y el modelo, y los requisitos eléctricos.
- Se encuentra ubicada dentro de la campana, detrás de los filtros, en la parte posterior del chasis. Retire los filtros para verla.

**Todas las especificaciones están sujetas a cambios sin previo aviso. LG no se hace responsable por cambios en las especificaciones.**

# INSTRUCCIONES IMPORTANTES DE SEGURIDAD

Lea y siga todas las instrucciones cuando utilice la cocina para evitar riesgos de incendios, descargas eléctricas, lesiones personales o daños. Esta guía no incluye todas las situaciones posibles que podrían ocurrir. Siempre comuníquese con su agente de servicio técnico o con el fabricante cuando haya problemas que no comprenda.

Descargue este manual en: <http://www.lg.com>



Este es el símbolo de alerta de seguridad. Este símbolo le advierte sobre posibles riesgos que pueden ocasionar daños materiales, lesiones personales graves o la muerte.

El símbolo de alerta de seguridad siempre estará acompañado de las palabras "ADVERTENCIA" o "PRECAUCIÓN". Estos términos significan lo siguiente:



**ADVERTENCIA** - Indica una situación peligrosa que, de no evitarse, podría causar lesiones graves o la muerte.



**PRECAUCIÓN** - Indica una situación peligrosa que, de no evitarse, podría causar lesiones leves o moderadas.



## ADVERTENCIA

- Para evitar que se produzcan explosiones o incendios, no almacene ni use líquidos o vapores combustibles, inflamables o explosivos (como por ejemplo, gasolina) dentro o cerca de este o cualquier otro artefacto. Además, mantenga cualquier artículo que pueda explotar, como, por ejemplo, latas de aerosol, alejado de los quemadores de la cocina, del horno y de la campana extractora. No almacene materiales explosivos o inflamables en áreas o alacenas cercanas.
- Si no sigue con exactitud la información de este manual, podrían producirse un incendio o descarga eléctrica, daños a la propiedad, lesiones personales o la muerte.
- **No utilice un dispositivo adicional de control de velocidad con esta unidad.**
- **Para evitar daños en los rodamientos del motor y rotores ruidosos y/o desequilibrados, mantenga la unidad de potencia alejada de polvo de construcción, de yeso, etc.**
- **El motor del ventilador cuenta con una protección de sobrecarga térmica que apagará automáticamente el motor en caso de que este se sobrecaliente. El motor volverá a arrancar cuando se enfríe. Si el motor continúa apagándose y reiniciándose, se le debe realizar mantenimiento al producto.**
- **PARA REDUCIR EL RIESGO DE INCENDIO, DESCARGAS ELÉCTRICAS O LESIONES PERSONALES, TENGA EN CUENTA LO SIGUIENTE:**
  - Use esta unidad solamente del modo previsto por el fabricante. Si tiene alguna pregunta, póngase en contacto con el fabricante.
  - Antes de limpiar o realizarle mantenimiento a la unidad, apáguela desde el panel de servicio y bloquee la puerta del panel eléctrico para evitar que la unidad se encienda por accidente. En caso de que la puerta del panel eléctrico no se pueda bloquear, coloque un dispositivo de advertencia bien visible y firmemente sujeto, como, por ejemplo, una etiqueta, en el panel de servicio.

**⚠️ ADVERTENCIA****• PARA REDUCIR EL RIESGO DE INCENDIO, DESCARGAS ELÉCTRICAS O LESIONES PERSONALES, TENGA EN CUENTA LO SIGUIENTE:**

- El trabajo de instalación y el cableado eléctrico deben ser realizados por personal calificado en conformidad con todos los códigos y las normas aplicables, incluso respecto a construcciones a prueba de fuego.
- Se necesita aire suficiente para que la combustión y el escape de gases se realicen de manera correcta a través del conducto (chimenea) del equipo que quema combustible a fin de prevenir el tiro invertido. Siga las instrucciones del fabricante del equipo de calefacción y las medidas de seguridad, tales como las publicadas por la Asociación Nacional de Protección contra Incendios (NFPA, por sus siglas en inglés), la Sociedad Americana de Aire Acondicionado, Refrigeración y Calefacción (ASHRAE, por sus siglas en inglés) y las autoridades locales.
- Al cortar o perforar la pared o el cielorraso, no dañe el cableado eléctrico ni otros pasos de servicios que estén ocultos.
- Los ventiladores con conductos siempre deben tener salida al exterior.

**⚠️ PRECAUCIÓN**

Solo para uso de ventilación general. No lo utilice para la extracción de materiales y vapores peligrosos o explosivos.

**PRECAUCIONES GENERALES DE SEGURIDAD**

Para reducir el riesgo de incendio, descargas eléctricas, lesiones graves o muerte al usar este equipo, siga las precauciones de seguridad básicas, incluidas las siguientes:

**⚠️ ADVERTENCIA**

- No instale ni utilice la campana si se ha dañado, caído, se han dañado los cables eléctricos o si no está funcionando correctamente. Si el producto está dañado cuando lo recibe, póngase en contacto inmediatamente con el distribuidor o constructor.
- Esta campana extractora debe ser instalada y conectada a tierra de acuerdo con las instrucciones de instalación por un instalador calificado.
- Instale o coloque este aparato siguiendo solamente estas instrucciones de instalación y los requisitos especificados por el fabricante de la cocina o de la superficie de cocción. La instalación, los ajustes, las modificaciones, las reparaciones y el mantenimiento mal realizados pueden causar lesiones personales graves o daños materiales.
- El cliente no debe instalar, reparar ni reemplazar ninguna pieza de la campana extractora, salvo que esto se recomiende específicamente en la documentación suministrada. Toda otra tarea de mantenimiento debe ser realizada por un técnico calificado.
- Mantenga todos los envoltorios alejados de los niños. Las bolsas plásticas pueden causar asfixia.
- No use un cable de extensión ni un adaptador con este artefacto.
- El instalador debe mostrar al cliente la ubicación del panel de interruptores de circuitos o la caja de fusibles para que el cliente sepa dónde y cómo cortar la energía.
- Antes de instalar o realizarle mantenimiento a la campana extractora, apáguela desde el interruptor de circuitos de la caja de fusibles y bloquee la puerta del panel eléctrico para evitar que la unidad se encienda por accidente. En caso de que el panel del panel eléctrico no se pueda bloquear, coloque un dispositivo de advertencia bien visible y firmemente sujeto, como, por ejemplo, una etiqueta, en el panel eléctrico.

 **ADVERTENCIA**

- Lea el manual del propietario por completo antes de usar el aparato. Limpie el aparato solamente como se indica en el manual del propietario. Use únicamente los productos de limpieza especificados.
- No manipule indebidamente los controles.
- Nunca permita que el/los filtro(s) se bloquee(n) u obstruya(n). No permita que objetos extraños, tales como cigarrillos o servilletas, sean aspirados por la campana.
- Limpie con frecuencia los filtros y todas las superficies que se cubren de grasa para evitar que se produzcan incendios y para mantener el rendimiento.
- Si la cocina y la campana extractora se encuentran cerca de una ventana, asegúrese de que la ventana cumpla con las condiciones adecuadas. Evite que la ventana tenga cortinas largas u otras cubiertas que podrían volar sobre la superficie de cocción y la campana, ya que esto puede significar un riesgo de incendio.
- Siempre ponga en funcionamiento el/los ventilador(es) cuando esté utilizando la superficie de cocción.
- Nunca deje la cocina o la superficie de cocción sin vigilancia cuando un quemador (u hornalla) esté siendo utilizado. Los derramamientos por ebullición o los derrames de grasa pueden emitir humo y/o arder.
- No deje niños solos o sin vigilancia en el área donde se estén utilizando la superficie de cocción y la campana extractora. Nunca permita que los niños se sienten en un artefacto o se suban a él. No permita que los niños jueguen con una cocina, una superficie de cocción o una campana extractora. No almacene artículos de interés para los niños encima o alrededor de la superficie de cocción, la cocina o la campana extractora.
- La distancia vertical mínima entre la superficie de la cocina y la parte exterior de la campana no debe ser menor de 26" (66 cm). La distancia vertical puede tener que ser mayor según la cocina o la superficie de cocción que se esté utilizando. Consulte las instrucciones de instalación de la cocina o la superficie de cocción para conocer la distancia mínima y máxima vertical desde el artefacto que se utilice.
- **PARA REDUCIR EL RIESGO DE INCENDIO, UTILICE SOLAMENTE CONDUCTOS DE METAL.**

**LEA Y GUARDE ESTAS INSTRUCCIONES**

# ESPECIFICACIONES DEL PRODUCTO

## Especificaciones generales

### Todos los modelos

Velocidades del ventilador	5
Filtros	Filtros de malla de aluminio
Carga total de conexión	120 V CA, 60 Hz, 4 A.
Luces	120 V CA, tira de luces LED de 8 W

ESPAÑOL

### Características específicas del modelo

Número de modelo	LSHD3689BD, LSHD3680ST, HCED3615S, LSHD3089BD, LSHD3080ST, HCED3015S
Filtros	2

### Especificaciones de peso

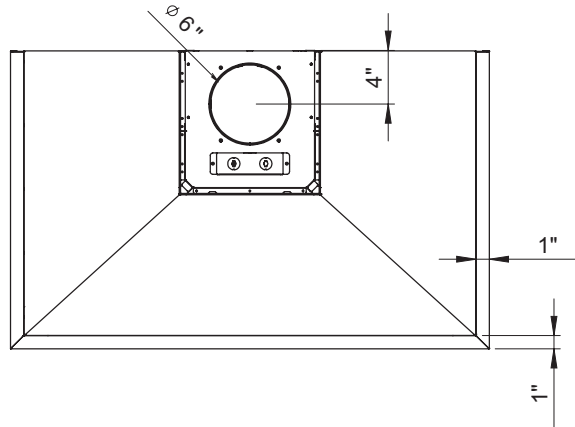
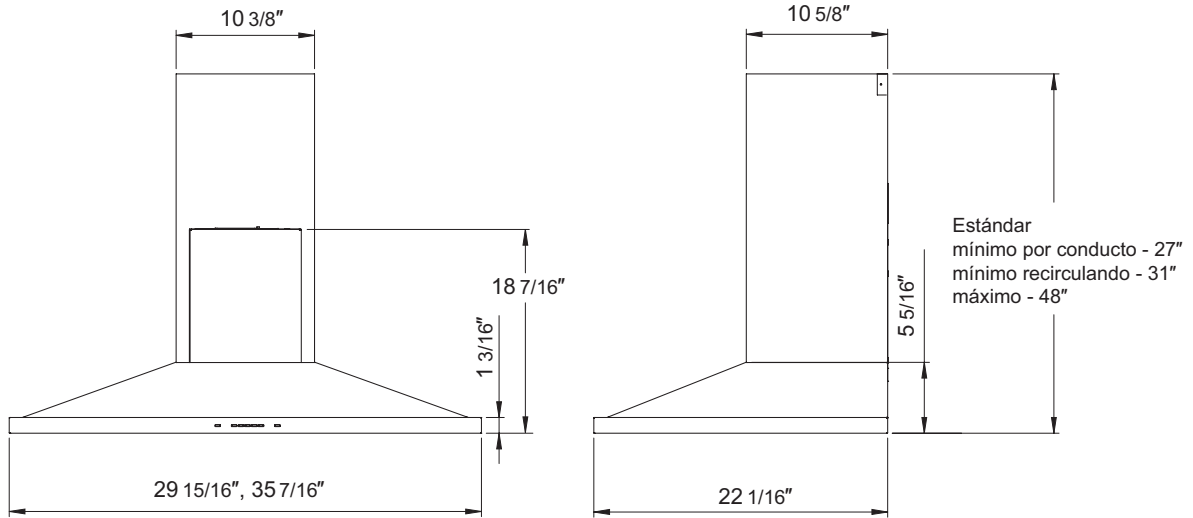
Número de modelo	Peso
LSHD3689BD, LSHD3680ST, HCED3615S	37 lb (17 kg)
LSHD3089BD, LSHD3080ST, HCED3015S	35 lb (16 kg)

## Dimensiones

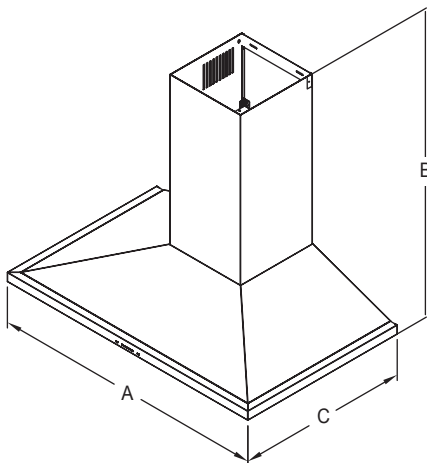
Tolerancias: +1/16", -0 (1.6 mm, -0), a menos que se especifique lo contrario.

**NOTA**

El/los conducto(s) de escape y el cableado eléctrico se pueden conectar desde la parte superior o posterior de la campana.



### Dimensiones generales

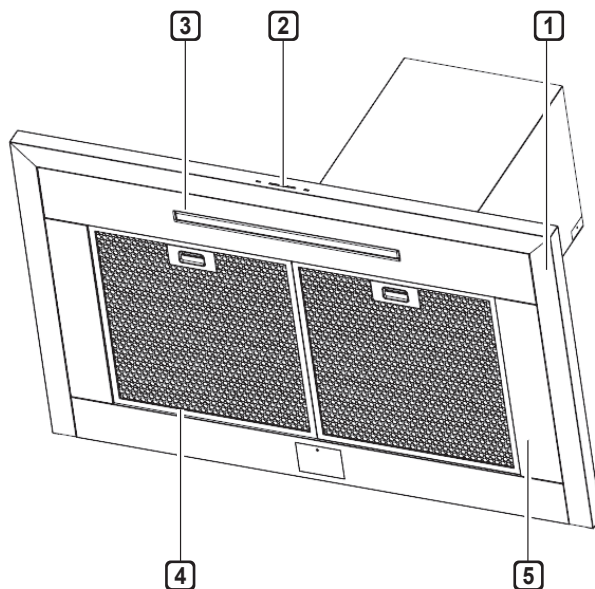


Modelo	A	B	C
LSHD3689BD, LSHD3680ST, HCED3615S	36"	26 15/16"	22 1/16"
LSHD3089BD, LSHD3080ST, HCED3015S	30"	26 15/16"	22 1/16"



# DESCRIPCIÓN GENERAL DEL PRODUCTO

## Piezas

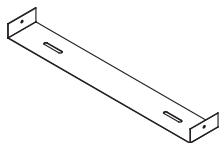


ESPAÑOL

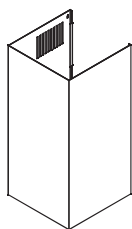
- 1 Campana
- 2 Panel de control táctil con iconos
- 3 Luz led
- 4 Filtros de malla
- 5 Panel lateral  
(solo para LSHD3689BD, LSHD3680ST, HCED3615S)

## Lista de piezas

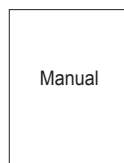
### Accesorios incluidos



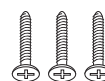
Soporte de cubierta de conducto



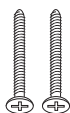
Cubierta de conducto



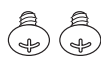
Manual



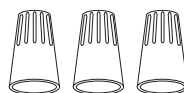
M6 x 1" (3)



M6 x 1-1/2" (2)



M4 x 8 (2)



Remates para cables (3)

# PLANIFICACIÓN DE LA INSTALACIÓN

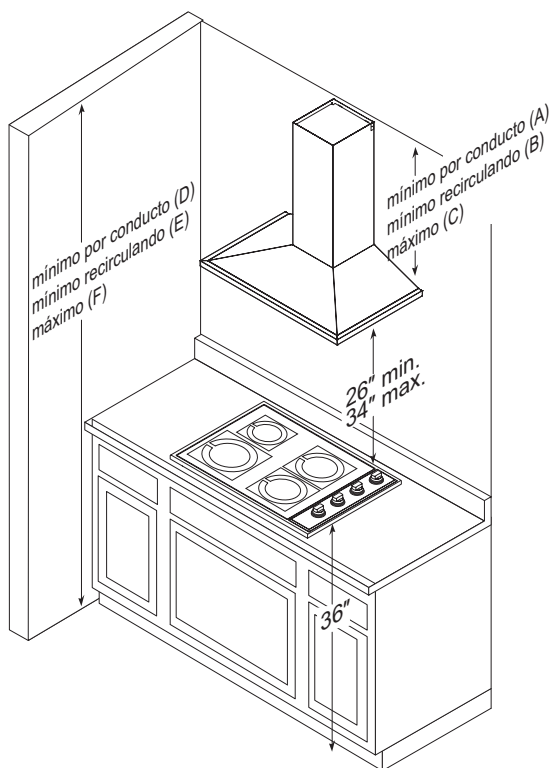
## ⚠️ ADVERTENCIA

Respete todos los códigos y las ordenanzas vigentes durante la planificación y la instalación. Póngase en contacto con el departamento de construcción de su localidad para obtener más información. Utilice solamente conductos considerados aceptables por las normas estatales, municipales y locales.

## Disposición de alacenas

## ⚠️ ADVERTENCIA

Para reducir el riesgo de daños personales causados por estirar el cuerpo sobre un artefacto caliente, debe evitarse usar el espacio de almacenamiento de la alacena ubicada justo encima de la cocina.



## Ancho mínimo de la alacena

		Cubierta de conducto estándar
Campana Alturas	mínimo por conducto (A)	27"
	mínimo recirculando (B)	31"
	máximo (C)	48-1/2"
Techo Alturas	mínimo por conducto (D)	89" (7' 5")
	mínimo recirculando (E)	93" (7' 9")
	máximo (F)	118" (9' 10")

## Conducto

Debe utilizarse un conducto redondo de 6" como mínimo para mantener una eficiencia de flujo de aire máxima.

Utilice siempre conductos de metal solamente. Los conductos flexibles podrían restringir el flujo de aire en hasta un 50 %.

Utilice un cálculo (en la página 12) para calcular el conducto total disponible cuando se utilicen codos, transiciones y casquetes.

SIEMPRE, cuando sea posible, reduzca el número de transiciones y giros. Si se requiere un conducto largo, aumente el tamaño del conducto de 6" a 7" o 8".

Si se requieren giros o transiciones, instálelas tan lejos como sea posible de la salida del conducto a la campana y tan separados como sea posible.

La altura de montaje mínima entre la placa y la parte inferior de la campana no debería ser inferior a 26".

La altura máxima de montaje no debería ser superior a las 34".

Es importante instalar la campana a una altura de montaje adecuada. Instalar la campana demasiado bajo podría resultar en daños por calor y riesgo de fuego. Si se monta demasiado alta, será difícil llegar a ella y se reduce su rendimiento y eficiencia.

Si está disponible, consulte los requisitos de espacio de altura del fabricante de la placa y la altura recomendada de montaje de la campana sobre la placa.

## ⚠️ PRECAUCIÓN

### DAÑOS DURANTE EL ENVÍO/INSTALACIÓN:

- Inspeccione la unidad en busca de daños antes de la instalación.
- Si la unidad se daña durante en transporte, devuelva la unidad a la tienda donde la compró para su reparación o sustitución.
- Si la unidad ha sido dañada por el cliente, la reparación o sustitución de la misma es responsabilidad del cliente.
- Si la unidad ha sido dañada por el instalador (si es distinto al cliente), la reparación o sustitución debe realizarse mediante acuerdo entre el cliente y el instalador.

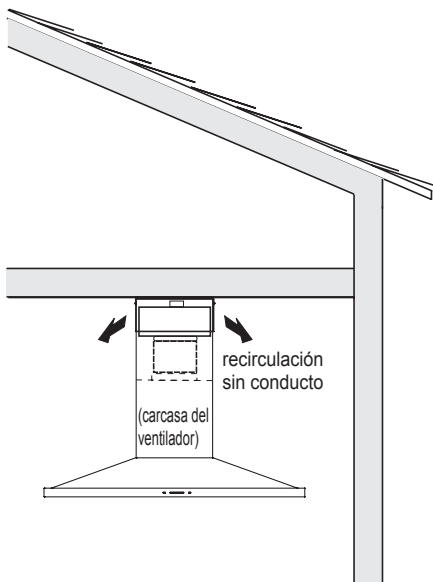
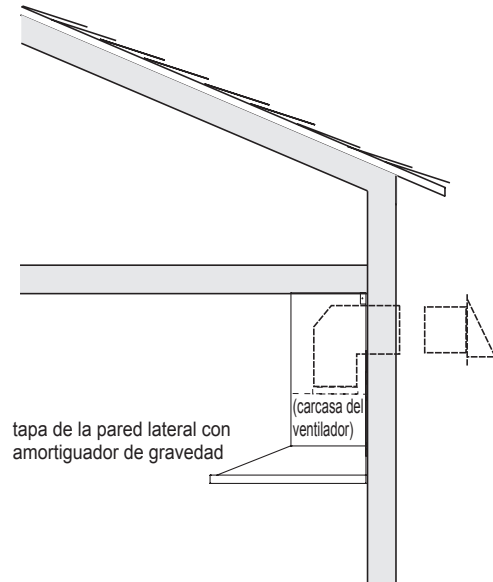
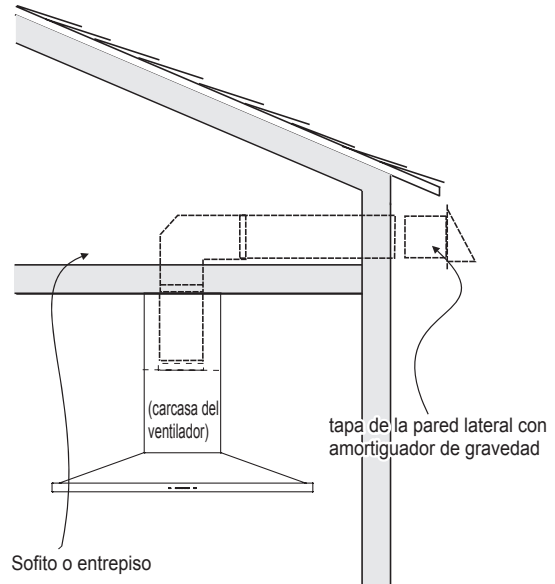
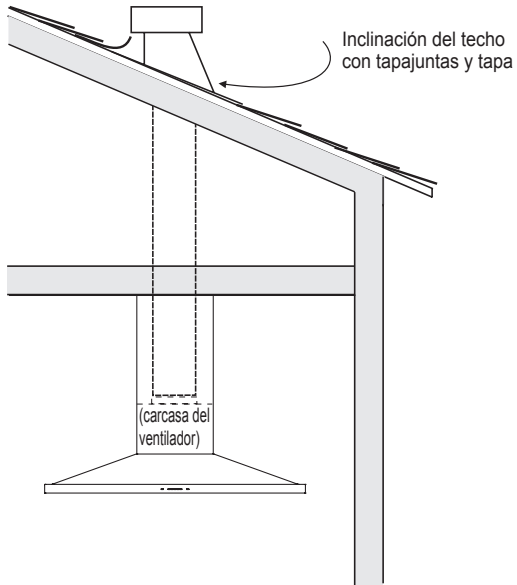
## Opciones de conducto

### ⚠️ ADVERTENCIA



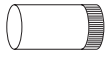
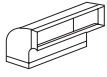
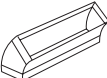
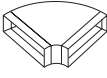
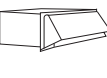
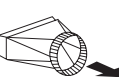
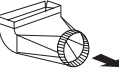


#### Riesgo de fuego

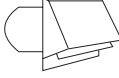


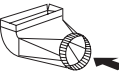
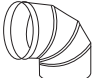

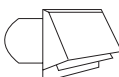

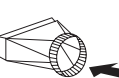
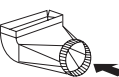
- NUNCA extraiga aire o termine el conducto en espacios entre paredes, espacios angostos, techos, áticos o garajes.
- Toda la extracción debe realizarse al exterior.
- Utilice únicamente conductos de metal.
- Fije todas las conexiones con tornillos para metal y cubra todas las juntas con cinta plateada o cinta de conducto certificada.

### Ejemplos de opciones de conducto



## Hoja de cálculo de conducto

Piezas de conducto		Longitud equivalente x número usado =	Total
	Rectangular, recto 3-1/4" x 10"	1 Ft. x ( ) =	Ft.
	6" redondo, recto	1 Ft. x ( ) =	Ft.
	7"-10" redondo, recto	1 Ft. x ( ) =	Ft.
	3-1/4" x 10" rectangular, codo de 90°	15 Ft. x ( ) =	Ft.
	3-1/4" x 10" Rectangular, codo de 45°	9 Ft. x ( ) =	Ft.
	3-1/4" x 10" Rectangular, codo plano de 90°	24 Ft. x ( ) =	Ft.
	3-1/4" x 10" Rect. Tope de pared con compuerta	30 Ft. x ( ) =	Ft.
	3-1/4" x 10" Rect. transición redonda de 6"	5 Ft. x ( ) =	Ft.
	3-1/4" x 10" Rect. transición redonda de 6" codo de 90°	20 Ft. x ( ) =	Ft.
	6" redondo, codo de 90°	15 Ft. x ( ) =	Ft.
	6" redondo, codo de 45°	9 Ft. x ( ) =	Ft.
Subtotal columna 1 =			Ft.

Piezas de conducto		Longitud equivalente x número usado =	Total
	6" tope de pared redondo con compuerta	30 Ft. x ( ) =	Ft.
	6" redondo, tope de tejado	30 Ft. x ( ) =	Ft.
	6" redondo para transición rectangular 3-1/4" x 10"	1 Ft. x ( ) =	Ft.
	6" redondo para transición rectangular, 3-1/4" x 10" codo de 90°	16 Ft. x ( ) =	Ft.
	7" - 10" redondo, codo de 90°	15 Ft. x ( ) =	Ft.
	7" - 10" redondo, codo de 45°	9 Ft. x ( ) =	Ft.
	7" - 10" Tope de pared redondo con apertura	30 Ft. x ( ) =	Ft.
	7" - 10" redondo, tope de tejado	30 Ft. x ( ) =	Ft.
	7" redondo a transición rectangular 3-1/4" x 10"	8 Ft. x ( ) =	Ft.
	7" round to 3-1/4" x 10" rect. transition 90° elbow	23 Ft. x ( ) =	Ft.
Subtotal columna 2 =			Ft.
Subtotal columna 1 =			Ft.
Total conducto =			Ft.

**Longitud máx. del conducto:** Para un movimiento de aire satisfactorio, la longitud total del conducto no debería superar el equivalente a 100 pies.

## Consejos para el diseño del conducto

Siempre que sea posible, reduzca el número de transiciones y curvas al menor número de ángulos agudos que sea posible. Dos instancias de ángulos de 45° son mejores que una de 90°.

Las curvas deben encontrarse tan lejos del escape de la campana como sea posible y debe permitirse todo el espacio que sea posible entre las curvas.

Para un mejor rendimiento, utilice conductos redondos en lugar de rectangulares, especialmente cuando se necesiten codos.

Si se utilizan varios codos, trate de mantener un mínimo de 24" de conducto recto entre ellos.

Evite el uso de codos adyacentes en "S" o pegados.

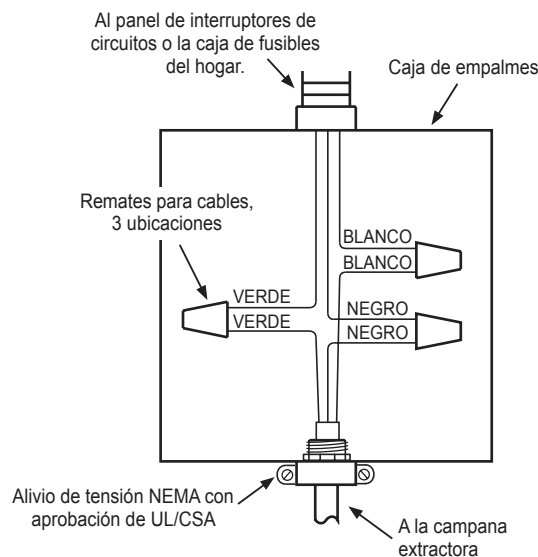
En las regiones donde el clima sea extremadamente frío, utilice barreras térmicas, como una sección corta de conducto no metálico, para evitar la pérdida de calor del interior. Ubique la barrera lo más cerca posible del punto de paso al exterior.

No utilice conductos de metal flexible.

**No** use conductos que sean más pequeños en el área de la sección transversal que los tipos recomendados anteriormente.

## Suministro eléctrico

Este aparato requiere un suministro eléctrico de 120V 60Hz, y debe conectarse a un circuito ramal con una conexión a tierra adecuada, protegido por un interruptor de circuitos de 15 o 20 amperios o un fusible de acción retardada. El cableado debe ser un cable de 2 cables con tierra. Consulte la etiqueta Diagrama eléctrico en el producto.



Conexión de 3 cables a caja de empalmes

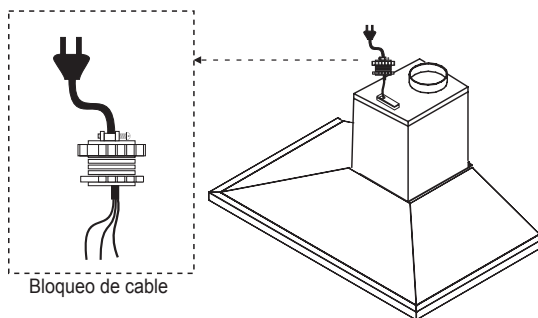
## Suministro de energía

### **ADVERTENCIA**

- La información de este manual se debe seguir exactamente. Si no lo hace, podría provocar un incendio o una descarga eléctrica, causando daños a la propiedad, lesiones personales o la muerte.
- **Todo el trabajo eléctrico debe ser realizado por un electricista cualificado o una persona con conocimiento y experiencia técnica similar.**
- Para su seguridad persona, extraiga el fusible o abra el interruptor de circuitos antes de comenzar la instalación. No utilice un extensor de cables o enchufe adaptador con este aparato.
- **Siga los códigos eléctricos nacionales o los códigos y ordenanzas locales.**

## Bloqueo de cable

Las ordenanzas locales pueden requerir un conector de bloqueo de cable (no suministrado). Consulte los requisitos y ordenanzas locales y compre e instale el conector apropiado si es necesario.



## Verifique el contenido del embalaje

Desembale la caja y verifique que todas las piezas y accesorios están incluidos. Si falta algún elemento o está dañado, contacte con el distribuidor de inmediato. No instale un aparato dañado o incompleto.

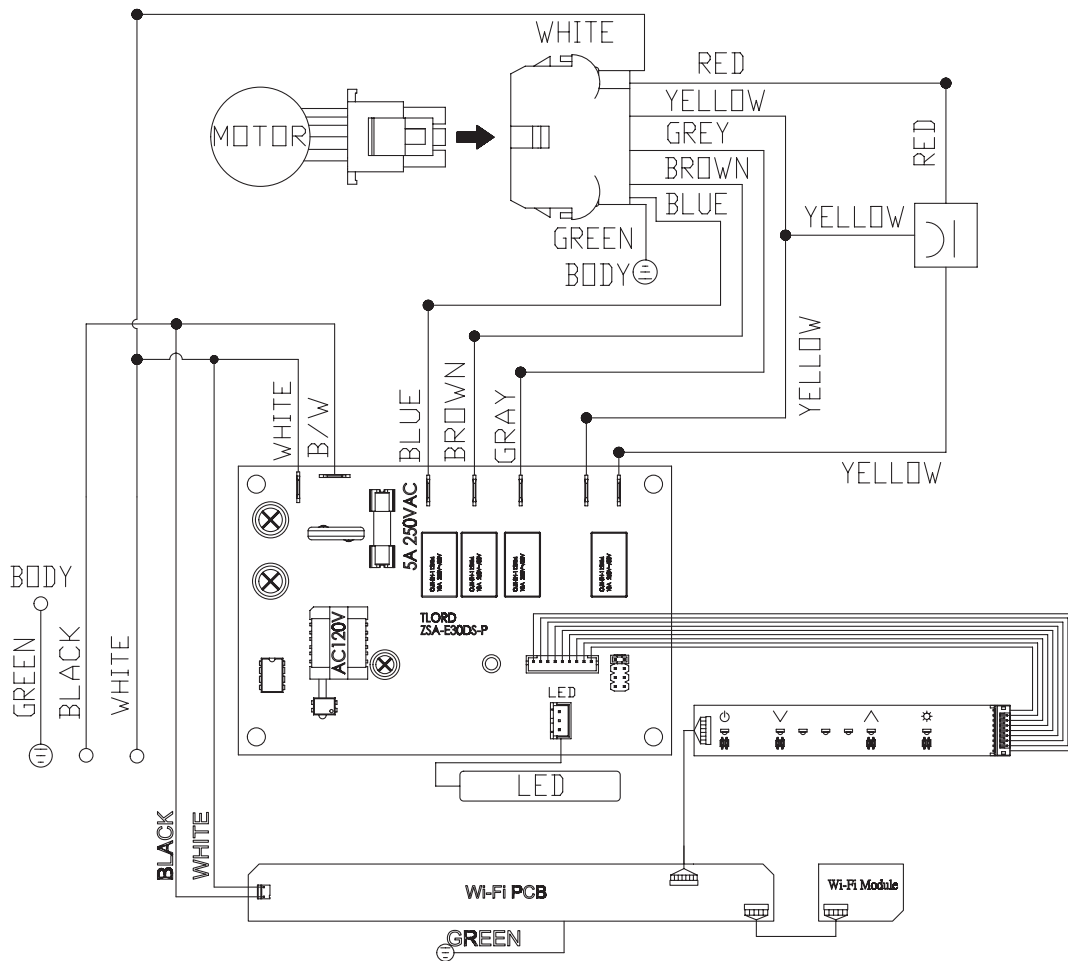
Asegúrese de que tiene todo lo necesario para la instalación.



# DIAGRAMA DE CABLEADO

Modelos	Voltios	Hz	Amps Máx.
LSHD3089BD LSHD3080ST HCED3015S LSHD3689BD LSHD3680ST HCED3615S	120	60	4

ESPAÑOL



REMARKS: CONDENSER 12.5+12.5uF 250VAC FIT AC120V 60Hz

# MEMO





# GUIDE D'INSTALLATION

# HOTTE

FRANÇAIS

**Lisez soigneusement ces instructions avant d'installer et d'utiliser la hotte.**

LSHD3689BD    LSHD3089BD  
LSHD3680ST    LSHD3080ST  
HCED3615S    HCED3015S



MFL70208702\_03

[www.lg.com](http://www.lg.com)

Copyright © 2017 - 2019 LG Electronics Inc. Tous droits réservés.

# TABLE DES MATIÈRES

## 3 AVANT DE COMMENCER

---

## 4 CONSIGNES DE SÉCURITÉ IMPORTANTES

---

## 7 CARACTÉRISTIQUES DU PRODUIT

---

- 7 Caractéristiques générales
- 8 Dimensions

## 9 APERÇU DU PRODUIT

---

- 9 Pièces
- 9 Accessoires

## 10 PLANIFICATION DE L'INSTALLATION

---

- 10 Mise en armoire
- 11 Options de conduits
- 12 Feuille de calcul pour le conduit d'aération
- 13 Alimentation
- 13 Vérification du contenu de l'emballage

## 14 DIRECTIVES D'INSTALLATION

---

- 14 Fixation de la hotte

## 15 SCHÉMA DE CÂBLAGE

---

# AVANT DE COMMENCER

## IMPORTANTES:

- Installateur : Afin de garantir la sécurité de l'installation et de limiter les problèmes éventuels, lisez entièrement et soigneusement les instructions d'installation suivantes avant de commencer le processus d'installation. Remettez ces instructions d'installation au client.
- Client : Conservez ces instructions d'installation afin de pouvoir les consulter ultérieurement et afin que l'inspecteur local en électricité puisse les consulter.

## PLAQUE SIGNALÉTIQUE DE L'APPAREIL

- La plaque signalétique de l'appareil contient le numéro de modèle, le numéro de série et les exigences électriques de l'appareil.
- Celle-ci se trouve à l'intérieur de la hotte, derrière les filtres, sur le côté extérieur du châssis. Retirez les filtres pour la consulter.

**Toutes les caractéristiques sont susceptibles d'être modifiées sans préavis. LG décline toute responsabilité pour les changements apportés aux caractéristiques.**

## CONSIGNES DE SÉCURITÉ IMPORTANTES

Lisez et suivez toutes les consignes avant d'utiliser cette cuisinière afin d'éviter tout risque d'incendie, de décharge électrique, de blessure ou de dommage. Ce guide ne couvre pas toutes les situations susceptibles de survenir. Communiquez toujours avec votre agent de service ou fabricant concernant les problèmes que vous ne comprenez pas.

Vous pouvez télécharger le manuel du propriétaire au <http://www.lg.com>



Ceci est le symbole d'alerte de sécurité. Ce symbole vous alerte des dangers potentiels pouvant provoquer des dommages matériels et/ou des blessures corporelles graves ou la mort. Tous les messages de sécurité seront précédés du symbole d'alerte de sécurité, ainsi que du mot « AVERTISSEMENT » ou « MISE EN GARDE ». Voici le message que ces mots véhiculent :



**AVERTISSEMENT** - Indique une situation dangereuse qui, si non évitée, pourrait entraîner la mort ou des blessures graves.



**MISE EN GARDE** - Indique une situation dangereuse qui, si non évitée, pourrait entraîner des blessures légères ou de gravité moyenne.



### AVERTISSEMENT

- Pour éviter les risques d'explosion ou d'incendie, n'entreposez ou n'utilisez pas de substances ou de liquides combustibles, inflammables ou explosifs (comme de l'essence) à l'intérieur ou à proximité de cet appareil ou de tout autre appareil. Veillez également à conserver les objets qui pourraient exploser, comme des bombes aérosol, loin des brûleurs sur la surface de cuisson, des fours et des hottes. Ne conservez pas de matières inflammables ou explosives dans des armoires ou des zones adjacentes.
- Si l'information contenue dans ce manuel n'est pas suivie exactement, un incendie ou une explosion peut en résulter, entraînant des dommages matériels, des blessures corporelles graves ou la mort.
- **N'utilisez pas de dispositif de commande de vitesse supplémentaire avec cet appareil.**
- **Pour éviter d'endommager le roulement du moteur, de déséquilibrer les pales ou de rendre celles-ci bruyantes, veillez à protéger l'appareil de tout produit de vaporisation de texture, de toute poussière de construction, etc.**
- **Le moteur du ventilateur est doté d'une protection contre les surcharges thermiques qui éteindra automatiquement le moteur si celui-ci devient trop chaud. Le moteur redémarrera une fois qu'il aura refroidi. Si le moteur continue de s'éteindre et de redémarrer, demandez à un technicien de réparer l'appareil.**
- **POUR RÉDUIRE LES RISQUES D'INCENDIE, DE DÉCHARGE ÉLECTRIQUE ET DE BLESSURES, SUIVEZ LES PRÉCAUTIONS SUIVANTES :**
  - N'utilisez cet appareil que pour l'usage prévu par le fabricant. Si vous avez des questions, communiquez avec le fabricant.
  - Avant d'entretenir ou de nettoyer l'appareil, fermez l'alimentation dans le panneau de service et verrouillez la porte du panneau de service pour empêcher l'activation accidentelle de l'alimentation. Lorsque la porte du panneau de service ne peut pas être verrouillée, apposez-y un dispositif d'avertissement visible, comme une étiquette.

**⚠ AVERTISSEMENT**

- **POUR RÉDUIRE LES RISQUES D'INCENDIE, DE DÉCHARGE ÉLECTRIQUE ET DE BLESSURES, SUIVEZ LES PRÉCAUTIONS SUIVANTES :**
  - Les travaux d'installation et le câblage électrique doivent être réalisés par une personne qualifiée et conformément aux codes et aux normes en vigueur, y compris les normes de construction en matière de résistance au feu.
  - Un apport d'air suffisant est nécessaire pour assurer une bonne combustion ainsi qu'une bonne évacuation des gaz émanant de tout appareil de combustion afin d'éviter le refoulement de l'air. Suivez les directives du fabricant de l'appareil de chauffage et les normes de sécurité applicables, comme celles publiées par la National Fire Protection Association (NFPA) et l'American Society for Heating, Refrigeration and Air Conditioning Engineers (ASHRAE), ainsi que les normes des organismes responsables des codes locaux.
  - Lorsque vous coupez ou percez un mur ou un plafond pour l'installation de l'appareil, veillez à ne pas endommager le câblage électrique ni les fils d'autres services publics cachés.
  - Les soufflantes canalisées doivent toujours évacuer l'air à l'extérieur du bâtiment.

**⚠ MISE EN GARDE**

Pour ventilation générale seulement. N'utilisez pas cet appareil pour évacuer des vapeurs et des matériaux explosifs ou dangereux.

**PRÉCAUTIONS DE SÉCURITÉ GÉNÉRALES**

Pour réduire le risque d'incendie, de décharge électrique ou de blessures lors de l'utilisation de la hotte, suivez notamment les précautions de base suivantes :

**⚠ AVERTISSEMENT**

- N'installez pas cette hotte et ne la faites pas fonctionner si le cordon d'alimentation ou la fiche de branchement sont endommagés, si elle ne fonctionne pas correctement, ou si elle a été endommagée ou est tombée par terre. Si le produit est endommagé lorsque vous le recevez, communiquez immédiatement avec le détaillant ou le fabricant.
- Veillez à faire appel à un installateur qualifié pour l'installation et la mise à la terre de votre hotte, conformément aux présentes instructions d'installation.
- Lors de l'installation et du choix de l'emplacement de cet appareil, veuillez respecter ces instructions d'installation ainsi que les exigences précisées par le fabricant de la surface de cuisson ou de la cuisinière. Une mauvaise installation, un ajustement, une modification et un entretien effectués de manière inadéquate pourraient entraîner de graves blessures ou des dommages matériels.
- Le client ne doit pas installer, réparer ni remplacer toute pièce de la hotte, à moins que cela ne soit expressément recommandé dans la documentation accompagnant l'appareil. Tous les autres travaux d'entretien doivent être réalisés par un technicien qualifié.
- Gardez le matériel d'emballage hors de la portée des enfants. Les sacs de plastique risquent d'entraîner un étouffement.
- N'utilisez pas de rallonge électrique ni de fiche d'adaptateur avec cet appareil.
- L'installateur doit montrer au client où se trouve la boîte à fusibles ou le panneau des disjoncteurs afin que le client sache où et comment couper l'alimentation.
- Avant d'installer ou de réparer la hotte, coupez l'alimentation dans la boîte à fusibles ou dans le panneau des disjoncteurs, puis verrouillez la porte du panneau de commande électrique pour empêcher l'activation accidentelle de l'alimentation. Lorsque le panneau électrique ne peut pas être verrouillé, apposez-y un dispositif d'avertissement visible, comme une étiquette.

 **AVERTISSEMENT**

- Lisez l'intégralité du manuel d'utilisation avant d'utiliser l'appareil. Nettoyez uniquement l'appareil conformément aux directives de nettoyage présentées dans le manuel d'utilisation. Utilisez uniquement les produits nettoyants précisés.
- Ne modifiez pas les commandes.
- Ne laissez jamais les filtres se bloquer ou se boucher. Veillez à ce que des objets étrangers, comme des cigarettes ou des serviettes de papier, ne se retrouvent pas aspirés par la hotte.
- Nettoyez souvent les filtres et toutes les surfaces graisseuses afin d'éviter tout feu de graisse et de garantir le bon fonctionnement de l'appareil.
- Si la surface de cuisson et la hotte sont installées près d'une fenêtre, veillez à utiliser des garnitures de fenêtre appropriées. Évitez d'utiliser de longs rideaux ou d'autres couvre-fenêtres qui pourraient retomber sur la surface de cuisson et la hotte, car cela pourrait causer un risque d'incendie.
- Activez toujours le ventilateur lorsque la surface de cuisson fonctionne.
- Ne laissez jamais la cuisinière ou la surface de cuisson sans supervision lorsqu'un brûleur (élément) est allumé. Les débordements et les dépôts de graisse peuvent produire de la fumée ou s'enflammer.
- Ne laissez pas des enfants seuls ou sans surveillance près de la surface de cuisson et de la hotte lorsque celles-ci fonctionnent. Ne laissez jamais un enfant s'asseoir ou se tenir debout sur un appareil. Ne laissez pas les enfants jouer avec une cuisinière, une surface de cuisson ou une hotte. Ne rangez pas des objets pouvant intéresser les enfants au-dessus ou près de la surface de cuisson, de la cuisinière ou de la hotte.
- Le dégagement vertical minimal entre la surface de cuisson et la partie extérieure de la hotte doit être supérieur à 26 po (66 cm). Le dégagement vertical requis pourrait être plus long en fonction de la cuisinière ou de la surface de cuisson. Consultez les directives d'installation de la cuisinière ou de la surface de cuisson pour connaître le dégagement vertical maximal requis.
- **POUR RÉDUIRE LE RISQUE D'INCENDIE, UTILISEZ UNIQUEMENT DES CONDUITS EN MÉTAL.**

**LISEZ ET CONSERVEZ CES INSTRUCTIONS.**

# CARACTÉRISTIQUES DU PRODUIT

## Caractéristiques générales

### Tous les modèles

Vitesses du ventilateur	5
Filtres	Filtres à tamis en aluminium
Puissance raccordée totale	120 VAC, 60 Hz, 4 Amp.
Lumières	120 VAC, 8 W LED light strip

FRANÇAIS

### Modèle particulier

Numéro de modèle	LSHD3689BD, LSHD3680ST, HCED3615S, LSHD3089BD, LSHD3080ST, HCED3015S
Filtres	2

### Caractéristiques relatives au poids

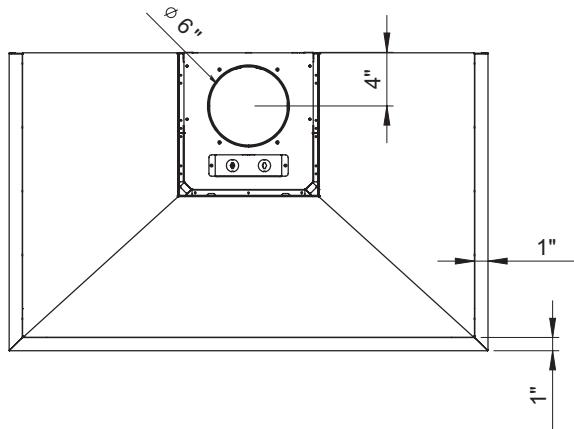
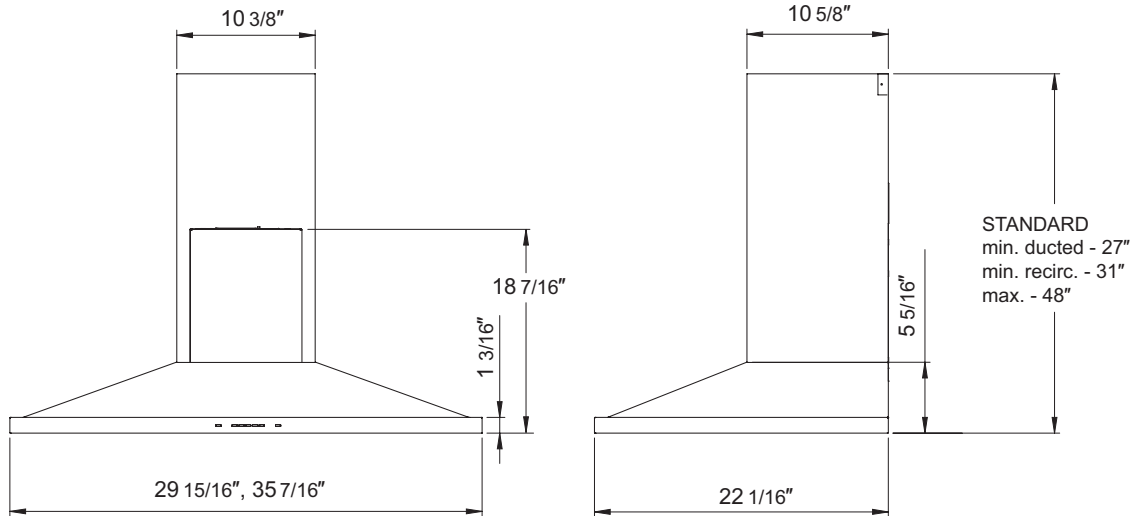
Numéro de modèle	Poids
LSHD3689BD, LSHD3680ST, HCED3615S	37 lb. (17 kg)
LSHD3089BD, LSHD3080ST, HCED3015S	35 lb. (16 kg)

## Dimensions

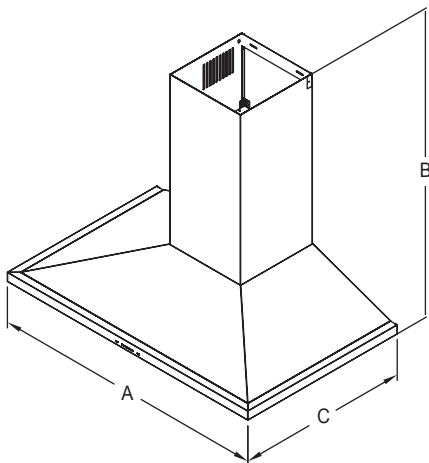
Tolérances : +1/16 po, -0 (1,6 mm, -0), à moins d'indications contraires.

### REMARQUE

Les conduits d'évacuation et le câblage électrique peuvent être raccordés sur le dessus ou à l'arrière de la hotte.



### Dimensions générales

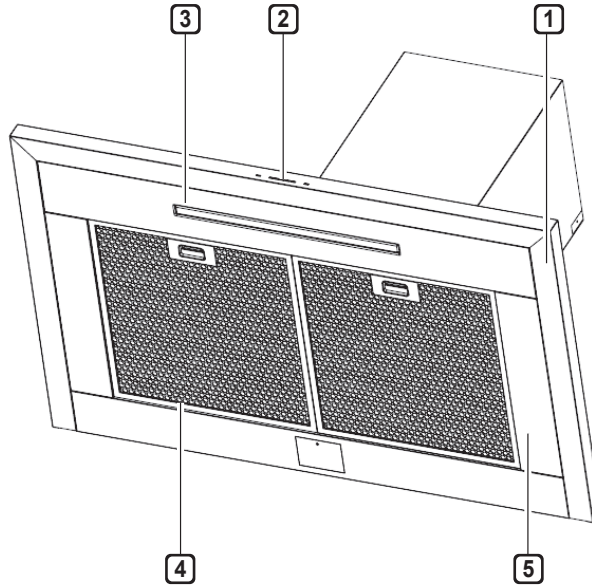


Modèle	A	B	C
LSHD3689BD, LSHD3680ST, HCED3615S	36"	26 15/16"	22 1/16"
LSHD3089BD, LSHD3080ST, HCED3015S	30"	26 15/16"	22 1/16"



# APERÇU DU PRODUIT

## Pièces

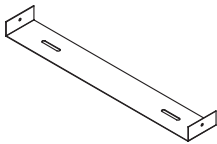


FRANÇAIS

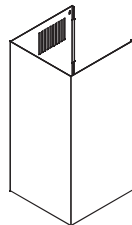
- 1 Hotte
- 4 Filtres à tamis en aluminium
- 2 Icône du panneau de commande tactile
- 5 Panneau latéral (seulement pour les modèles LSHD3689BD et LSHD3680ST et HCED3615S)
- 3 Cordon lumineux à del

## Accessoires

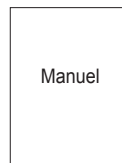
### Accessoires inclus



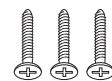
Support du couvercle du conduit



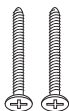
Couvercle du conduit



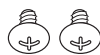
Manuel



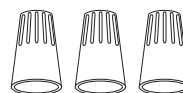
M6 x 1" (3)



M6 x 1-1/2" (2)



M4 x 8 (2)



Capuchons de connexion (3)

# PLANIFICATION DE L'INSTALLATION

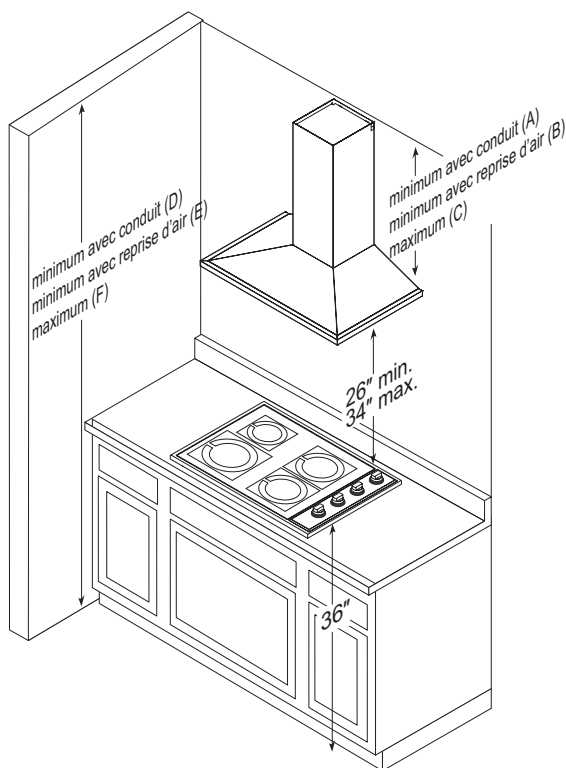
## AVERTISSEMENT

Observez les dispositions des codes et règlements en vigueur lors de la planification et de l'installation. Communiquez avec l'organisme responsable des codes du bâtiment local pour obtenir plus de renseignements. Utilisez uniquement des conduits jugés acceptables par les codes étatiques, municipaux et locaux.

## Mise en armoire

### AVERTISSEMENT

Afin de réduire les risques de blessure en atteignant un appareil chaud, évitez les espaces de rangement situés directement au dessus de la cuisinière.



## Largeur minimale de l'armoire

		Recouvrement de conduit standard
Hauteur de la hotte	minimum avec conduit (A)	27"
	minimum avec reprise d'air (B)	31"
	maximum (C)	48-1/2"
Hauteur du plafond	minimum avec conduit (D)	89" (7' 5")
	minimum avec reprise d'air (E)	93" (7' 9")
	maximum (F)	118" (9' 10")

## Conduit d'aération

Un conduit circulaire de 6" doit être utilisé pour assurer une circulation d'air maximale.

N'utilisez que des conduits en métal rigide. Les conduits souples pourraient réduire la circulation d'air jusqu'à 50 %.

Utilisez la feuille de calcul pour obtenir la longueur totale du conduit (page 12).

Lorsqu'il possible de le faire, diminuez TOUJOURS le nombre de pièces et de changements de direction. Si un long tronçon de conduit est nécessaire, augmentez le diamètre du conduit de 6" à 7" ou 8".

Si des changements de direction ou des adaptateurs sont nécessaires, installez-les le plus loin possible de l'ouverture et le plus éloigné possible l'un de l'autre.

La hauteur de montage minimale ne devrait pas être moins de 26".

La hauteur de montage maximale ne devrait pas dépasser 34".

Il est important d'installer la hotte à la hauteur de montage adéquate. Les hottes installées trop basses pourraient être endommagées par la chaleur en plus de présenter des risques d'incendie plus élevés tandis que les hottes installées trop hautes seront difficiles à atteindre et verront leur efficacité et leur rendement réduits.

Si elles sont disponibles, consultez les exigences de hauteur d'espace libre requise par le fabricant de la cuisinière ainsi que la hauteur recommandée de montage de la hotte au-dessus de la surface de cuisson.

## MISE EN GARDE

### ENDOMMAGEMENT LORS DE LA LIVRAISON/ INSTALLATION :

- Veuillez vous assurer que toutes les pièces de l'appareil ne sont pas endommagées avant l'installation.
- Si l'appareil est endommagé durant la livraison, retournez l'appareil à l'endroit où vous l'avez acheté pour réparation ou remplacement.
- Si l'appareil est endommagé par le client, la réparation ou le remplacement est à la charge du client.
- Si l'appareil est endommagé par l'installateur (si autre que le client), le client et l'installateur doivent venir à une entente pour la réparation ou le remplacement.

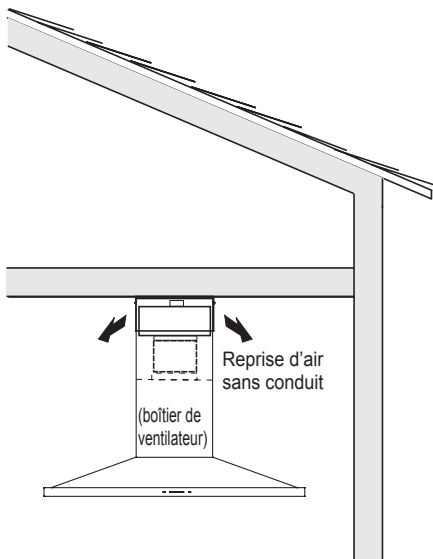
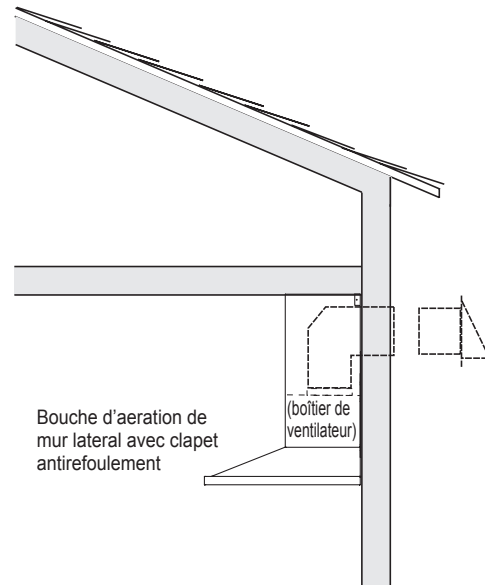
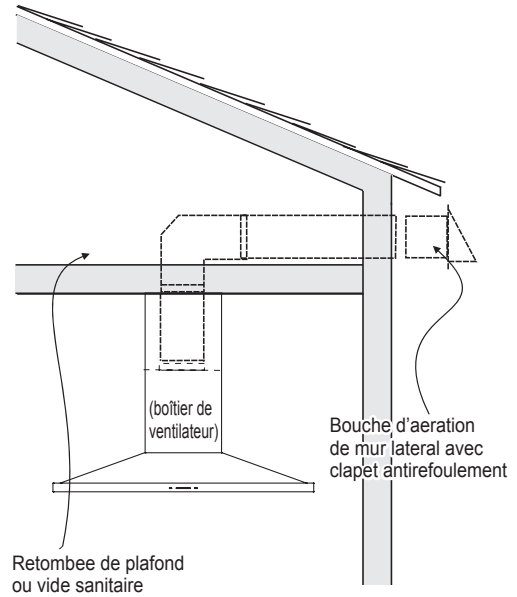
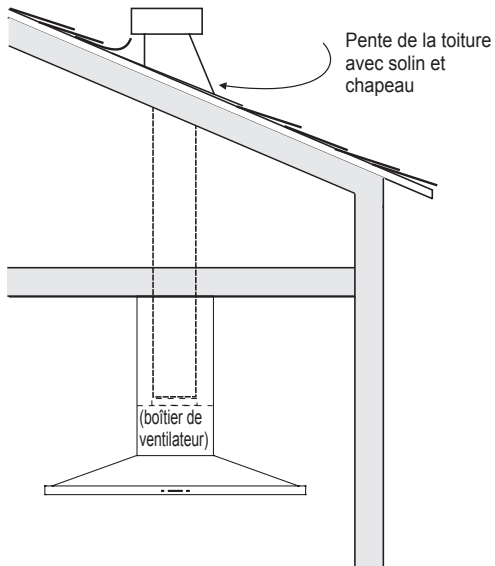
## Options de conduits

### AVERTISSEMENT

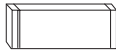


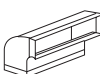
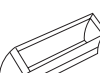



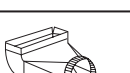


#### Risque d'incendie

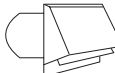

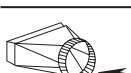
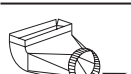




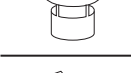
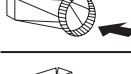
- N'évacuez ou ne terminez JAMAIS l'échappement du conduit dans les espaces entre les murs, les vides sanitaires, le plafond, le grenier, ou le garage.
- Tous les échappements doivent être dirigés à l'extérieur de la maison, à moins que l'option de reprise d'air ne soit utilisée.
- N'utilisez que des conduits en métal pour cloison simple.
- Fixez toutes les pièces du conduit avec des vis à tôle et isolez tous les joints avec du ruban adhésif en toile ou du ruban réflecteur certifié.

### Quelques options pour le conduit d'aération



## Feuille de calcul pour le conduit d'aération

Pièces de conduit		Longueur x Nombre utilisé =	Total
	3-1/4" x 10" rect., droit	1 pi x ( ) =	pi
	6" circ., droit	1 Ft. x ( ) =	pi
	7"-10" circ., droit	1 pi x ( ) =	pi
	3-1/4" x 10" rect., coude à 90°	15 pi x ( ) =	pi
	3-1/4" x 10" rect., coude à 45°	9 pi x ( ) =	pi
	3-1/4" x 10" rect., coude plat à 90°	24 pi x ( ) =	pi
	3-1/4" x 10" embout mural rect./registre	30 pi x ( ) =	pi
	6" circ. à rect. de 3-1/4" x 10"	5 pi x ( ) =	pi
	6" circ. à rect. de 3-1/4" x 10", coude à 90°	20 pi x ( ) =	pi
	6" circ., coude à 90°	15 pi x ( ) =	pi
	6" coude à 45°	9 pi x ( ) =	pi
Sous-total - colonne 1 =			pi

Pièces de conduit		Longueur x Nombre utilisé =	Total
	6" embout mural circ./registre	30 pi x ( ) =	pi
	6" chapeau de toiture circ.	30 pi x ( ) =	pi
	6" circ. à rect. de 3-1/4" x 10"	1 pi x ( ) =	pi
	6" circ. à rect. de 3-1/4" x 10", coude à 90°	16 pi x ( ) =	pi
	7" - 10" circ., coude à 90°	15 pi x ( ) =	pi
	7" - 10" coude à 45°	9 pi x ( ) =	pi
	7" - 10" embout mural circ./registre	30 pi x ( ) =	pi
	7" - 10" chapeau de toiture circ.	30 pi x ( ) =	pi
	7" circ. à rect. de 3-1/4" x 10"	8 pi x ( ) =	pi
	7" circ. à rect. de 3-1/4" x 10", coude à 90°	23 pi x ( ) =	pi
Sous-total - colonne 2 =			pi
Sous-total - colonne 1 =			pi
Total du conduit =			pi

**Longueur maximale du conduit d'aération:** Pour un mouvement d'air convenable, la longueur totale d'un conduit d'aération ne devrait pas compter plus que l'équivalent de 100 pieds.

## Conseils de conception des conduits

Lorsque cela est possible, réduisez le nombre d'emboîtements et de coudes afin d'obtenir le moins d'angles prononcés possible. Il vaut mieux avoir deux angles décalés de 45° qu'un seul angle de 90°.

Utilisez des coudes le plus loin possible du conduit d'évacuation de la hotte et laissez le plus d'espace possible entre les coudes.

Pour un rendement optimal, utilisez des conduits arrondis au lieu de conduits rectangulaires, surtout si vous devez installer des coudes.

Si vous devez utiliser plusieurs coudes, essayez de placer un conduit droit de 24 po entre eux.

Évitez d'utiliser des coudes en S adjacents ou plusieurs coudes de suite.

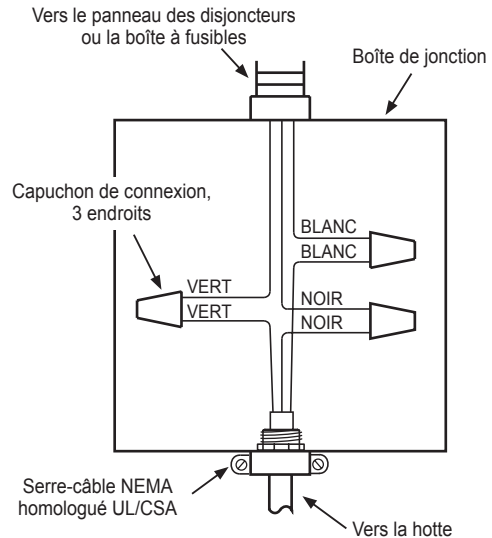
Dans les régions où les températures sont extrêmement froides, utilisez des isolants thermiques, comme un court conduit non métallique, afin d'éviter les pertes de chaleur. Installez l'isolant thermique le plus près possible du point de raccordement avec l'extérieur.

N'utilisez pas de conduits flexibles en métal.

**N'utilisez pas** de conduits plus petits que ceux recommandés ci-dessus dans les sections transversales.

## Fourniture électrique

Cet appareil requiert une alimentation électrique de 120 V 60Hz. Il doit être connecté à un circuit terminal individuel dûment mis à la terre, protégé par un disjoncteur de circuit ou un fusible temporisé de 15 ou 20 ampères. Le câblage doit compter 2 fils avec mise à la terre. Veuillez vous référer au Diagramme électrique étiqueté sur l'appareil.



Connexion à trois fils vers la boîte de jonction

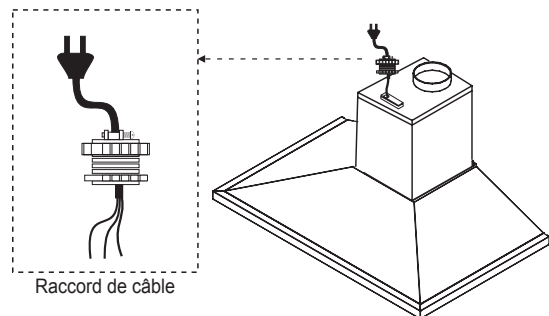
## Alimentation

### AVERTISSEMENT

- Les consignes présentées dans ce manuel doivent être suivies à la lettre. Le non-respect de ces consignes peut causer un incendie, une décharge électrique, des dommages matériels, des blessures ou la mort.
- **Tous les travaux d'électricité doivent être réalisés par un électricien qualifié ou une personne ayant des connaissances techniques semblables.**
- Aux fins de sécurité personnelle, retirez le fusible du domicile ou éteignez le disjoncteur correspondant avant l'installation. N'utilisez pas de rallonge ni d'adaptateur avec cet appareil.
- **Respectez les codes électriques nationaux ou les codes et les règlements locaux en vigueur.**

## Raccord de câble

Un raccord de câble (non inclus) pourrait également être exigé par les normes et réglementations locales. Informez-vous des exigences et des normes locales. Achetez et installez le connecteur approprié si nécessaire.



## Vérification du contenu de l'emballage

Ouvrez la boîte contenant les pièces et vérifiez que toutes les pièces tous les accessoires sont présents. S'il manque une pièce ou si une pièce est endommagée, veuillez communiquer avec le détaillant sur-le-champ. N'installez pas un appareil endommagé ou incomplet.

Assurez-vous d'avoir à votre disposition toutes les pièces et tous les outils nécessaires avant de procéder à l'installation.

# DIRECTIVES D'INSTALLATION

## AVERTISSEMENT

- N'installez pas la hotte si le service électrique ne respecte pas les caractéristiques de la hotte.
- Observez toutes les dispositions des codes et règlements en vigueur lors de la planification et de l'installation. Communiquez avec l'organisme responsable des codes du bâtiment local pour obtenir plus de renseignements.
- Un technicien qualifié doit réaliser l'installation de cet appareil intégré. La mise en place de la hotte devra être faite par plus d'une personne. Le propriétaire est responsable de veiller à ce que la hotte soit bien installée.

## Fixation de la hotte

### Fixation sous une armoire

## MISE EN GARDE

Compte tenu du poids et des dimensions de la hotte, au moins deux installateurs sont nécessaires.

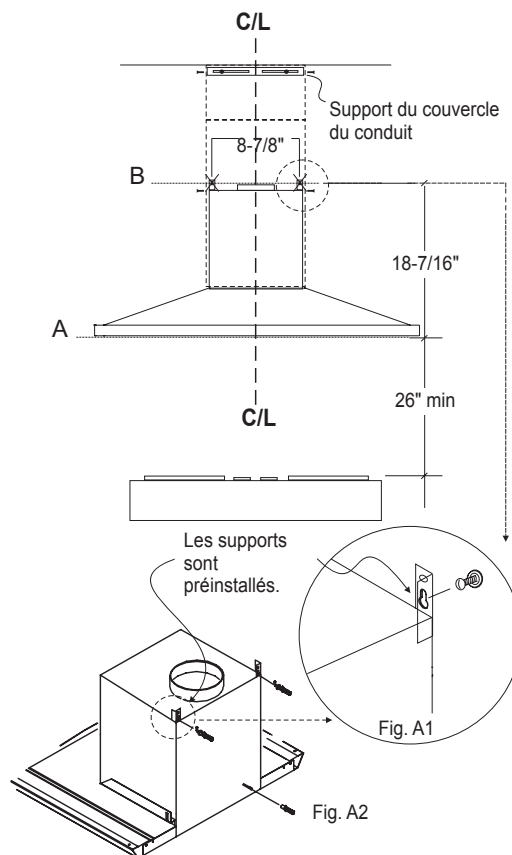
- 1 Prenez la mesure entre la surface de la cuisinière et la base de la hotte; marquez la ligne A (min. 26" à partir du dessus de la cuisinière).
- 2 Marquez la ligne centrale avec exactitude.
- 3 Marquez la ligne de hauteur de montage B. (18-7/16" la ligne A)
- 4 Marquez la largeur de montage à partir de la L/C. (8-7/8" la ligne B)
- 5 Fixez les (2) vis M4x1-1/2" aux poutres de la ligne B. Ne tournez pas les vis jusqu'au fond.

## REMARQUE

Vous pourriez avoir à ajouter des renforcements de bois pourraient derrière la cloison sèche si aucune poutre n'est présente. Des dispositifs d'ancrage au mur peuvent également être utilisés, mais vérifiez d'abord les réglementations locales avant d'utiliser de tels dispositifs.

- 6 Enlevez les deux (2) filtres à tamis en aluminium.
- 7 Accrochez la hotte aux vis de montage et serrez chaque vis à la main. (Fig A1) Fixez une troisième vis M4 de 1 1/2 po à travers la hotte et dans le mur pour assurer un soutien supplémentaire.

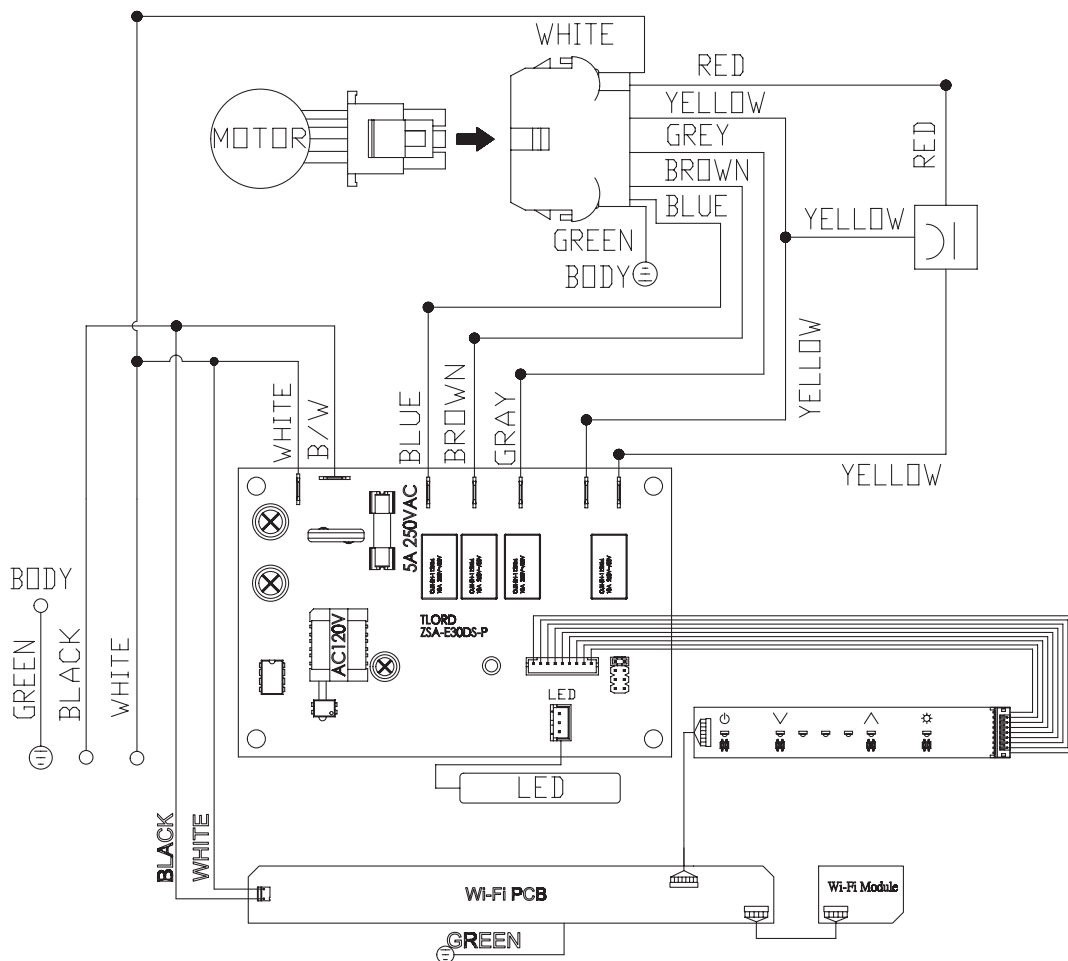
- 8 Centrez et fixez à l'aide de (2) vis M4 x 1" le support de montage du recouvrement de conduit au mur juste en-dessous du plafond ou de la retombée de plafond.
  - 9 Procédez à l'installation électrique et installez le conduit. Scellez le conduit avec du ruban à conduit en aluminium.
  - 10 Mettez la hotte sous tension et vérifiez s'il y a des fuites d'air autour du ruban à conduit.
  - 11 Fixez les plaques de recouvrement coulissantes du conduit à la hotte et faites glisser la plaque de recouvrement intérieure (partie supérieure) vers le haut. Fixez-la au support de fixation du recouvrement de conduit à l'aide de deux (2) vis M3.5 x 8". Réinstallez les filtres à tamis.
- Si vous utilisez le mode de reprise d'air, vous devez fixer la plaque du déflecteur d'air au mur avant d'installer le conduit et les pièces de recouvrement du conduit. Vous aurez également à installer des filtres à charbon et des supports.



# SCHÉMA DE CÂBLAGE

Modèle	Volts	HZ	ampère MAX
LSHD3089BD LSHD3080ST HCED3015S LSHD3689BD LSHD3680ST HCED3615S	120	60	4

FRANÇAIS



REMARKS: CONDENSER 12.5+12.5uF 250VAC FIT AC120V 60Hz



LG Customer Information Center

**1-800-243-0000** USA

**1-888-542-2623** CANADA

Register your product Online!

[www.lg.com](http://www.lg.com)

Centre d'informations aux consommateurs LG

**1-800-243-0000** États-Unis

**1-888-542-2623** CANADA

Enregistrez votre produit en ligne!

[www.lg.com](http://www.lg.com)