

Product Features

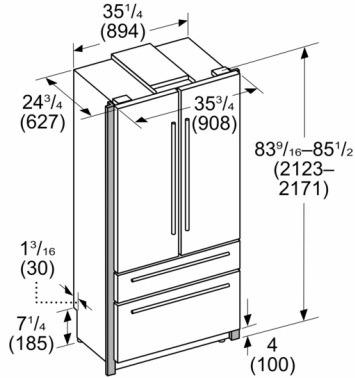


Notes: Please refer to installation instructions. Installation instructions are available at www.thermador.com. Specifications are correct at the time of printing. Thermador reserves the right to change product specifications and design at any time, without notice.

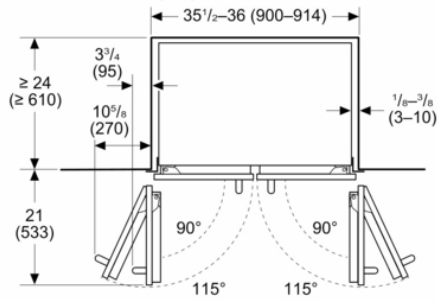
1 800 735 4328 | WWW.THERMADOR.COM | 1901 Main Street, Suite 600 Irvine, CA 92614

©2023 BSH HOME APPLIANCES CORPORATION, ALL RIGHTS RESERVED LITHO DATE: 05/2023

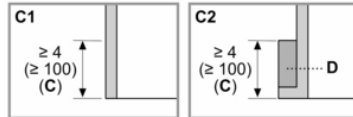
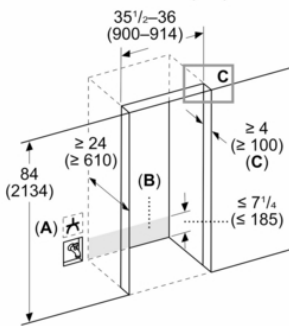
Measurements in inches (mm)



Measurements in inches (mm)



Measurements in inches (mm)



- A: Outlet
- B: Area for water and electric line routing
- C: Furniture return
C1: Frameless cabinet
C2: Framed cabinet
- D: Filler

Product Features

Multi-Flow Air Tower	Yes
SUPERCOOL	Yes
SUPERFREEZE	No
Carbon Air Filter	No
Temperature Controlled Drawer	No
Humidity Control Drawer	No
Number of Door Bins - Refrigerator	6
Adjustable Door Bins - Refrigerator	No
Tilt-Out Door Bins - Refrigerator	No
Gallon Storage Bins	2
Door Hinge	Other
Adjustable Shelves - Refrigerator	4
Reversible Door Hinge	No
Adjustable Shelves - Freezer	No

Technical Specification

UPC code	825225966340
Variant color	Stainless steel
Panel ready	Not possible
Fuse protection	10
Volts	110-120
Frequency	60
ENERGY STAR®	Yes
Power Cord Length	118
Required cutout size (HxWxD) (in)	84" x 35.5" - 36" x 24"
Appliance Width (in)	35 3/16
Height (in)	83 9/16
Depth (in)	24 3/4
Total unit gross capacity - AHAM	18.7
Product packaging dimensions (HxWxD)	84.44 x 39.76 x 29.52
Refrigerator Gross capacity	12.2
Freezer Gross capacity	4
Net weight	404.000
Gross weight	447.000
SKU	T36BT110NS

Notes: Please refer to installation instructions. Installation instructions are available at www.thermador.com. Specifications are correct at the time of printing. Thermador reserves the right to change product specifications and design at any time, without notice.