

WWD660 WCS TDos

W1 front-loading washing machine:

8 kg | 1600 rpm | Auto Dosing | Pre-Ironing | Miele@home | CapDosing



- Precise and automatic detergent dispensing with TwinDos®*
- The Pre-ironing extra reduces creasing and saves up to 50% time and effort**
- Exclusive CapDosing range for different fabrics and stains***
- Wash small & large loads efficiently – automatic load recognition
- ENERGY STAR® qualified

* Patent EP 2 784 205

** Patent EP 2 088 231

*** Patent EP 2 365 120

EAN: 4002516376705 / Material number: 11614100 /
Old Material Number: 11WD6601USA

General information	
Model identifier	WWD660 WCS TDos
Manufacturer material number	11614100
EAN number	4002516376705
Marketing class	Gold
Design	
Stackable	•
Door hinging	left
Side-by-side	•
Slot-in	•
Type	
Product brand	W1 White Edition
Front loaders	•
Spinning	
Max. spin speed	1600
Rinse hold	•
Without spin ¹ function	•
Design	
Appliance color	Lotus white
Control panel color	Lotus white
Door design	Obsidian Black with white ring
Rotary selector color	Lotus White
Fascia panel version	5° inclined
Control type	Selector dial
Control panel	DirectSensor yellow, 7 segment
Cleaning performance	
TwinDos automatic dispensing of detergent	•
CapDosing portioned dispensing	•
Gentle laundry care	
Honeycomb drum	•
Load in lbs. (kg)	18 (8)
User convenience	
Networking with Miele@home	•
Delay start up to 24 hours	•
Countdown indicator	•
AutoClean dispenser drawer	•
AddLoad	•
Efficiency and sustainability	
Hot water connection	•
Low-temperature washing "Cold" and "68°F"	•
Automatic load control	•
Flow meter	•
Foam control	•
ProfiEco motor	•
Wash programs	
Delicates	•

WWD660 WCS TDos

W1 front-loading washing machine:

8 kg | 1600 rpm | Auto Dosing | Pre-Ironing | Miele@home | CapDosing



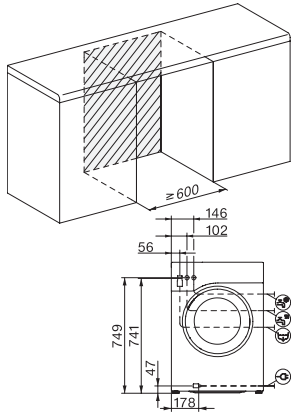
EAN: 4002516376705 / Material number: 11614100 /
Old Material Number: 11WD6601USA

Express	•
Outdoor	•
Proofing	•
Normal	•
Sanitize	•
Handwash	•
Dress shirts	•
Extra White	•
Darks/Denims	•
Drain/Spin	•
Washing extras	
SoftSteam with steam	•
Safety	
Water protection system	Watercontrol-System
Child lock	•
Lock code	•
Optical interface	•
Technical data	
Dimensions (H x W x D) in inches (mm)	33 1/2 (850) x 23 1/2 (596) x 25 3/8 (643)
Dimensions (width) in in. (mm)	23 1/2 (596)
Dimensions (height) in in. (mm)	33 1/2 (850)
Dimensions (depth) in in. (mm)	25 3/8 (643)
Depth with door open in in. (mm)	42 1/2 (1077)
Weight in lbs. (kg)	212 (96)
Voltage in V	120
Fuse rating in A	15
Frequency in Hz	60
Total rated load in kW	1.30
Water intake hose length in ft. (m)	5 (1.60)
Water drain hose length in ft. (m)	4 (1.50)
Length of supply lead in ft. (m)	6 (2)

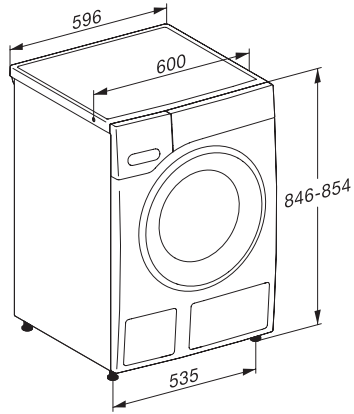
WWD660 WCS TDos

W1 front-loading washing machine:

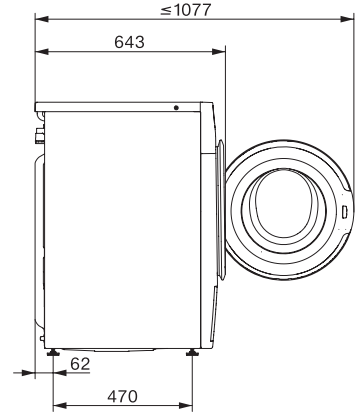
8 kg | 1600 rpm | Auto Dosing | Pre-Ironing | Miele@home | CapDosing



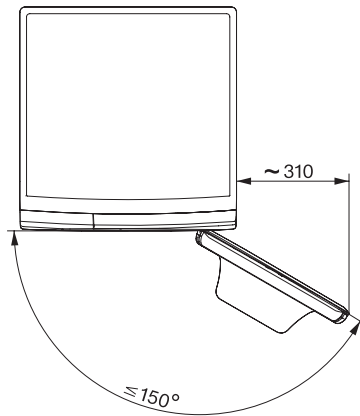
W1 drawing, facia 5 degree, measures in mm



W1 drawing, facia 5 degree, measures in mm



W1 drawing, facia 5 degree, measures in mm



W1 drawing, facia 5 degree, measures in mm