

INSTALLATION GUIDE

Outdoor Gas Grills



Contents

Wolf Outdoor Gas Grills	3
Safety Instructions	4
Location Considerations	5
Outdoor Grill Specifications	6
Outdoor Grill Installation	9
Service Information	23

Features and specifications are subject to change at any time without notice. Visit our website, wolfappliance.com for the most up-to-date information.

IMPORTANT NOTE: Throughout this guide, dimensions in parentheses are millimeters unless otherwise specified.

Important Note

To ensure the safe and efficient use of Wolf equipment, please take note of the following types of highlighted information throughout this guide:

IMPORTANT NOTE highlights information that is especially important.

CAUTION signals a situation where minor injury or product damage may occur if instructions are not followed.

WARNING states a hazard that may cause serious injury or death if precautions are not followed.



Outdoor Grill Installation

Read this entire installation guide prior to installation and save for the local inspector's reference. The homeowner should keep this installation guide for future reference.

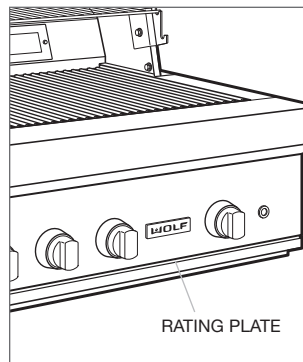
The installation of this appliance must conform with local codes or, in the absence of local codes, either the National Fuel Gas Code, ANZI Z223.1/NFPA 54, or CAN/CGA-B149.1, Natural Gas Installation Code or CAN/CGA-B149.2, Propane Installation Code.

The utilization of an external electrical source requires that when installed, this outdoor cooking gas appliance must be electrically grounded in accordance with the local codes or, in the absence of local codes, with the National Electrical Code, ANSI/NFPA 70, or the Canadian Electrical Code, CSA C22.1. Keep any electrical supply cord, or the rotisserie motor cord and the gas supply hose away from any heated surfaces.

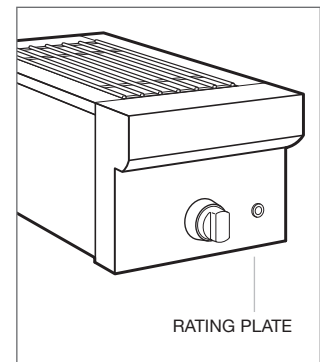
This appliance must be installed in accordance with National Electrical Codes, as well as all state, municipal and local codes. The correct voltage, frequency and amperage must be supplied to the appliance from a dedicated, grounded circuit which is protected by a properly sized circuit breaker or time delay fuse. The proper voltage, frequency and amperage ratings are listed on the product rating plate.

Record the model and serial numbers before installing the outdoor product. Both numbers are listed on the product rating plate. For the outdoor grill, the rating plate is located above the drip tray, behind the logo. The drip tray must be removed to view the rating plate. For the burner module and side burner, the rating plate is located under the bullnose on the right side. Refer to the illustrations below.

Wolf Outdoor Product
Model Number
Serial Number



Outdoor grill.



Burner module and side burner.

IMPORTANT INSTRUCTIONS

- Installation and service must be performed by a qualified installer, service agency or the gas supplier.
- Warranty service must be performed by Wolf factory certified service.
- Do not store or use gasoline or other flammable liquids or vapors in the vicinity of this or any other appliance. An LP gas cylinder not connected for use shall not be stored in the vicinity of this or any other appliance.
- In Massachusetts: All gas products must be installed using a “Massachusetts” licensed plumber or gasfitter. A “T” handle type manual gas valve must be installed in the gas supply line to this appliance. This applies to permanently installed natural gas and propane installations. This does not apply to propane portable installations using a 20-lb tank.

BEFORE LIGHTING:

- Read instructions before lighting.
- Open hood or remove cover before lighting.
- If ignition does not occur in 5 seconds, turn the control knob off, wait 5 minutes and repeat the lighting procedure.

WHAT TO DO IF YOU SMELL GAS:

- Shut off gas supply to the appliance.
- Extinguish any open flame.
- Open hood or remove cover.
- If odor continues, keep away from the appliance and immediately call your gas supplier or fire department.

Locating the Grill

IMPORTANT NOTE: This gas appliance is designed and certified for outdoor use only. Do not operate the outdoor product inside a building, garage, recreation vehicle or any enclosed area.

When choosing an area for the grill, whether a portable or built-in application, consider exposure to wind, proximity to traffic paths and length of gas supply line. Keep the gas supply line as short as possible to reduce pressure drop. Keep the outdoor product away from windy areas but in a well ventilated area. Do not obstruct the flow of combustion and ventilation air around the outdoor product. Installation must be level and flat. The supporting countertop structure should also be level and flat.

⚠ WARNING

Do not locate outdoor product under overhead combustible surfaces.

Portable Applications

Wolf portable grill carts are available to fit Wolf outdoor grill models OG30, OG36 and OG42 and the side burner. Model OG54 is designed for built-in applications only.

Built-In Applications

Wolf outdoor grills and the burner module are designed for easy placement into a built-in enclosure. For outdoor grills, installation in a combustible enclosure requires an insulating liner. For the burner module, an insulating liner is not required. The enclosure should be built according to specifications for your specific installation found on the following pages. If the burner module is installed next to an outdoor grill, a minimum of 2" (51) is required between units if it is placed to the right of the grill and 12" (305) if placed to the left.

All outdoor grills in a built-in application require a countertop structure to support the grill. The countertop structure should be level and flat and able to support 350 lbs (159 kg).

It is recommended that ventilation holes be provided in the enclosure so that gas will not become entrapped in the event of a leak.

MINIMUM CLEARANCES

A minimum clearance of 12" (305) from the sides and 12" (305) from the back of the grill to adjacent vertical combustible construction must be maintained.

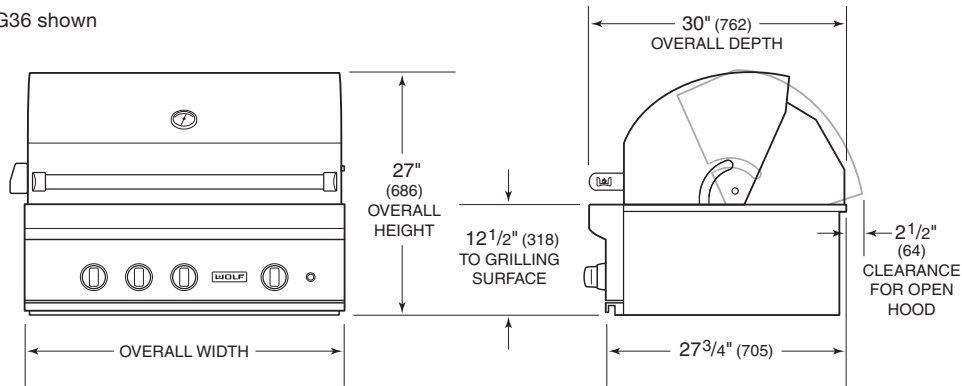
A minimum clearance of 2¹/₂" (64) from the back of the grill above cooking surface to non-combustible construction is required.

A minimum of 6" (152) clearance to the sides of the grill above cooking surface to non-combustible construction is recommended to provide space for the rotisserie motor and the spit rod. The grill can be installed directly next to non-combustible construction below the cooking surface.

Overall Dimensions

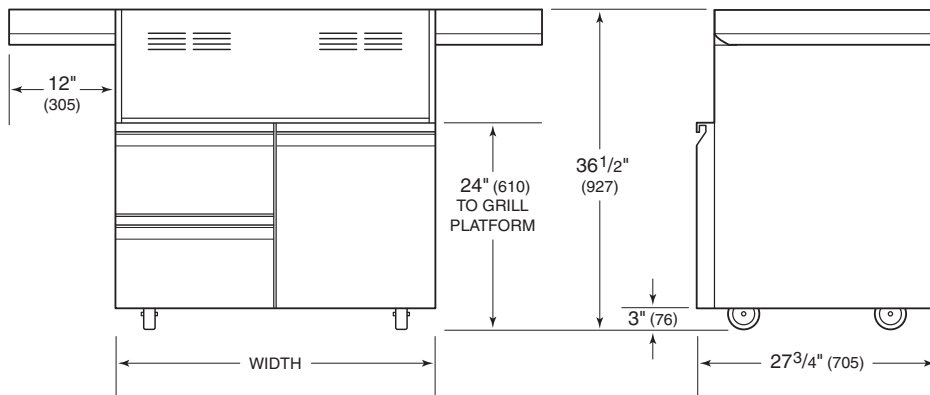
OUTDOOR GRILL

Model OG36 shown



GRILL CART

Model CART36 shown



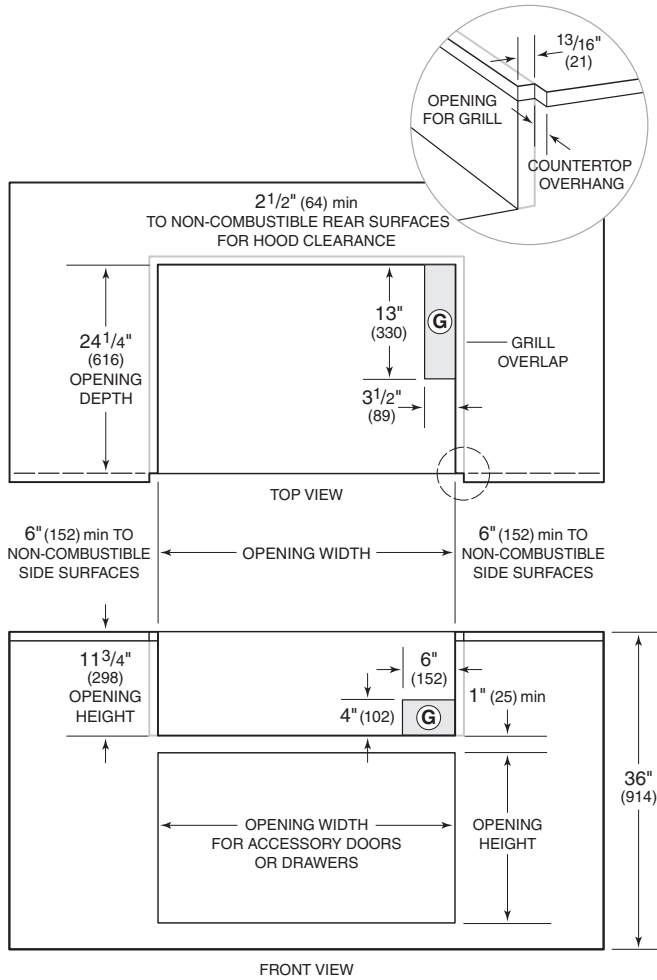
MAX DOOR/DRAWER CLEARANCE 22" (559).

Outdoor Grill	
OVERALL WIDTH	W
Model OG30	30" (762)
Model OG36	36" (914)
Model OG42	42" (1067)
Model OG54	54" (1372)

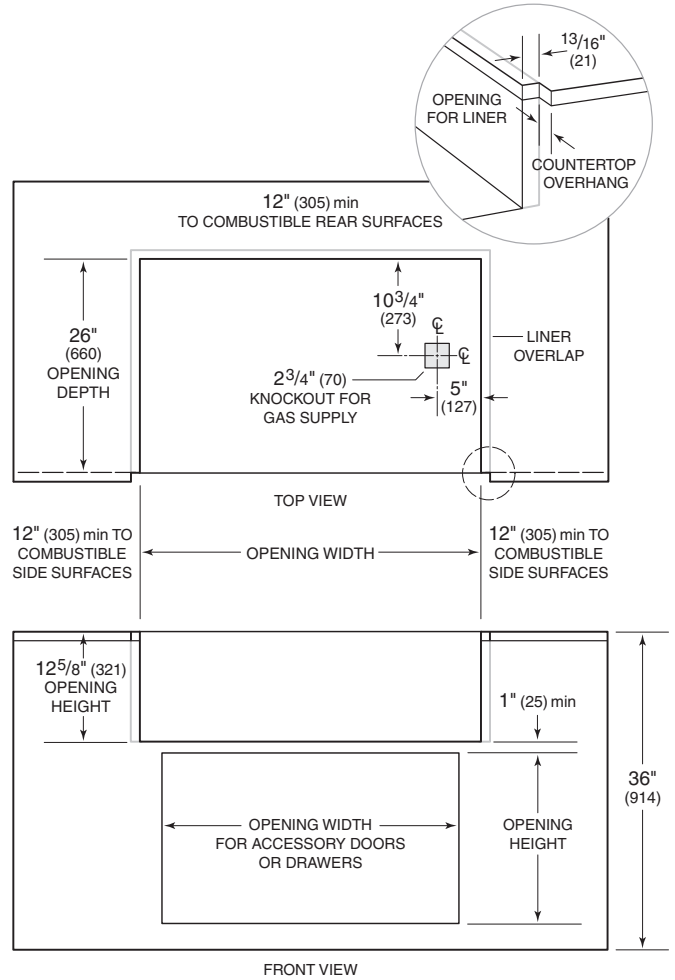
Grill Cart	
OVERALL WIDTH	W
Model CART30	30" (762)
Model CART36	36" (914)
Model CART42	42" (1067)

Outdoor Grill Built-In Installation

NON-COMBUSTIBLE ENCLOSURE



COMBUSTIBLE ENCLOSURE WITH LINER

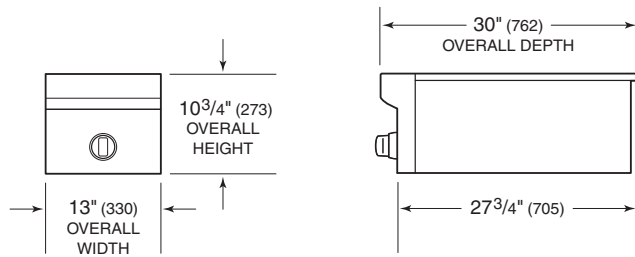


Opening Width	
NON-COMBUSTIBLE ENCLOSURE	
Model OG30	28 1/2" (724) W
Model OG36	34 1/2" (876) W
Model OG42	40 1/2" (1029) W
Model OG54	52 1/2" (1334) W
COMBUSTIBLE ENCLOSURE	
Model OG30	33 1/2" (851) W
Model OG36	39 1/2" (1003) W
Model OG42	45 1/2" (1156) W
Model OG54	57 1/2" (1461) W

Optional Opening		
ACCESSORY DOORS		
18" (457) Single	16 1/4" (413) W	19" (483) H
30" (762) Double	28 1/4" (718) W	19" (483) H
36" (914) Double	34 1/4" (870) W	19" (483) H
42" (1067) Double	40 1/4" (1022) W	19" (483) H
54" (1372) Double	52 1/4" (1327) W	19" (483) H
ACCESSORY DRAWERS		
30" (762) Single	27 1/4" (692) W	9 3/4" (248) H
13" (330) Double	12 1/8" (308) W	19" (483) H
13" (330) Triple	12 1/8" (308) W	19" (483) H
30" (762) Double with Door	29 1/4" (743) W	19" (483) H

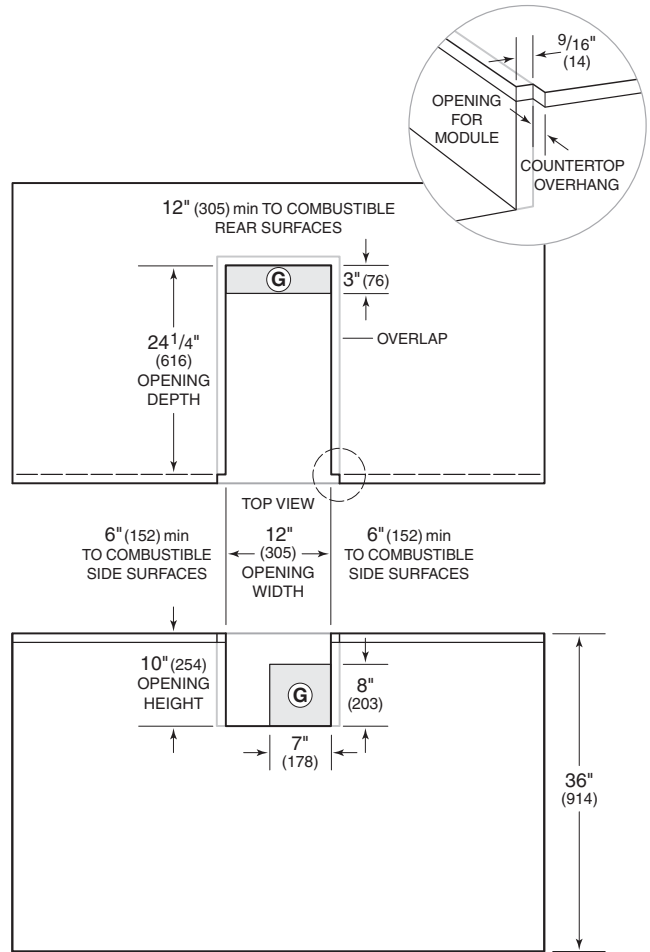
Overall Dimensions

BURNER MODULE AND SIDE BURNER



Built-In Installation (Burner Module)

NON-COMBUSTIBLE OR COMBUSTIBLE ENCLOSURE



Electrical Requirements

INSTALL THE POWER TRANSFORMER

Wolf outdoor grills and the burner module have a power transformer for the lights and igniters which is concealed in a stainless steel box with an attached power supply cord.

BUILT-IN APPLICATION: Secure the transformer box in a dry location, away from the grill firebox and excessive heat area, but within 2' (.6 m) of the right rear grill opening.

CART APPLICATION: Two mounting screws are provided to secure the transformer box, located at the bottom right rear corner of the cart, behind the pull-out LP tank shelf. If a side burner is being attached to a cart, it will utilize the same transformer as the gas grill.

IMPORTANT NOTE: Do not install the transformer box inside the insulating liner. The transformer box must be secured away from excessive heat and in a dry location.

Make the transformer connections to the wire harness located at the right rear of the grill to the harness of the transformer box.

Plug the power cord from the transformer into a properly grounded GFCI 120 V AC electrical outlet. The outlet must be located within 6' (1.8 m) of the transformer.

ROTISSERIE MOTOR

The rotisserie motor requires a GFCI 120 V AC electrical supply. The 9' (2.7 m) power cord on the motor is equipped with a 3-prong grounded plug for protection against shock hazard.

IMPORTANT NOTE: The burner module must be installed at least 12" (305) from the rotisserie motor.

⚠ WARNING

ELECTRICAL GROUNDING: The outdoor gas grill is equipped with a 3-prong grounding plug for protection against shock hazard. It should be plugged directly into a properly grounded 3-prong outlet. Do not cut or remove the grounding prong from the plug.

DO NOT use an extension cord or two-prong adapter.

Gas Supply Requirements

IMPORTANT NOTE: The outdoor product must be connected to a regulated gas supply by a qualified technician and in accordance with local codes and ordinances.

Each appliance is set and tested at the factory for the type of gas supply to be used. Identify the type of gas, either natural gas or LP gas, and make sure that the type of gas specified on the product rating plate matches the gas being supplied to the outdoor product. Refer to page 3 for location of the rating plate.

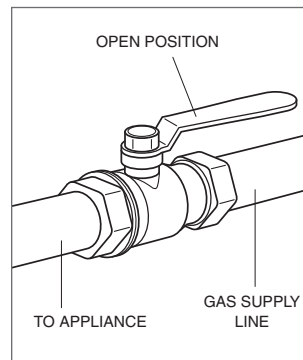
GAS SUPPLY LINE

Connect the outdoor product to the gas supply line. The gas supply line must be of adequate size to properly service all gas appliances. Wolf recommends the use of a minimum 1/2" (13) ID commercial type flex hose from the gas supply line to the outdoor product connection. The units will operate on 1/2" (13) pipe to a maximum run of 30' (9 m). All plumbing to the flex hose must be 3/4" (19) minimum ID pipe.

IMPORTANT NOTE: For complete gas shutdown, an external gas shut-off valve must be located near the outdoor product in an accessible location. Refer to the illustration below.

▲ WARNING

Ensure that the gas supply line does not come in contact with any hot surface of the outdoor product.



Gas supply shut-off valve.

Natural Gas Installations

The natural gas pressure regulator provided with natural gas outdoor products is set for 4" (10 mb) WC (water column) and is for use with natural gas only.

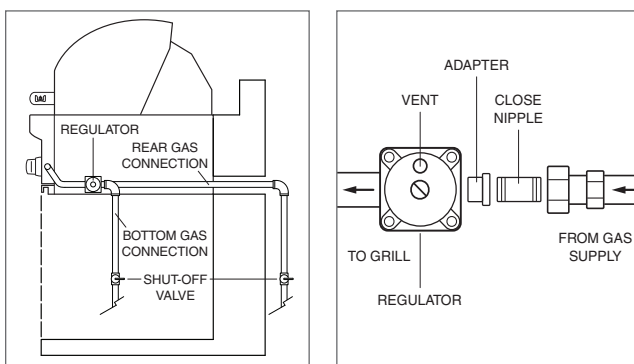
NATURAL GAS SAFETY REQUIREMENT

This gas appliance and its individual shut-off valve must be disconnected from the gas supply piping system during any pressure testing of that system at test pressures greater than .5 psi (3.5 kPa).

This gas appliance must be isolated from the gas supply piping system by closing its individual manual shut-off valve during any pressure testing of the gas supply piping system at test pressures equal to or less than .5 psi (3.5 kPa).

NATURAL GAS CONNECTION

A typical natural gas installation is shown in the illustrations below. Make sure that the gas pressure regulator(s) supplied with the outdoor product is used and installed with the arrow on the regulator pointing towards the unit. Do not use a replacement regulator other than that specified by Wolf. Use only gas piping that is approved for use with natural and LP gases.



Natural gas connection.

Natural gas regulator.

LP Gas Installations

LP (liquefied petroleum) gas is sometimes called propane, butane or bottled gas. It is a flammable gas which becomes liquid when stored under high pressure inside a cylinder and it vaporizes when released.

The LP gas pressure regulator and hose provided with LP outdoor gas grills (except model OG54) and SB13-LP is set for 11" (27 mb) WC (water column) and is for use with LP gas only and a 20-lb LP gas cylinder. The LP gas regulator provided with OG54-LP and BM13-LP is set for 10" (25 mb) WC.

LP GAS SAFETY REQUIREMENT

The LP gas cylinder must be provided with an approved overfilling preventive device (OPD).

Any LP gas cylinder used with this appliance must be constructed and marked in accordance with the specifications for LP gas cylinders of the U.S. Department of Transportation (D.O.T.) or the National Standards of Canada CAN/CSA-B339, Cylinders, Spheres and Tubes for the Transportation of Dangerous Goods and Commission, as applicable. Provided with a listed overfilling prevention device and a cylinder connection device compatible with the connection for outdoor cooking appliances.

The LP gas cylinder must be provided with a shut-off valve terminating in the cylinder valve outlet. It must include a collar to protect the cylinder valve. The cylinder supply system must be arranged for vapor withdrawal. Do not use a cylinder that is dented, rusted or has a damaged valve.

IMPORTANT NOTE: Do not operate the outdoor product indoors or in any enclosed area. When not in use, the gas must be turned off at the LP gas cylinder. If the outdoor product is to be stored indoors, disconnect the cylinder and leave it outdoors.

LP Gas Installations

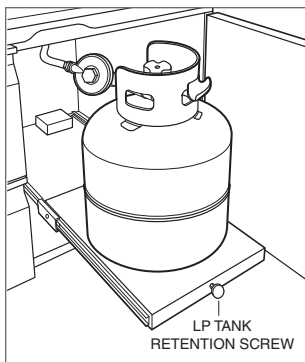
PORTABLE LP CONNECTION WITH TANK

One of the many features of the Wolf grill cart is the pull-out shelf for easy access to the LP gas cylinder. It is designed to hold a 20-lb (5 gallon capacity) LP gas cylinder.

- 1) To install the LP gas cylinder, pull out the shelf and place the cylinder on it.
- 2) Check to ensure that the gas valve on top of the cylinder is closed.
- 3) Connect the LP gas regulator to the cylinder and hand-tighten only. Open the cylinder valve. Check for leaks according to the gas leak testing procedure on page 13.
- 4) Tighten the LP tank retention screw to secure the cylinder to the shelf.

⚠ WARNING

Always check for gas leaks after changing the LP gas cylinder.



Grill cart pull-out shelf.

LP GAS CONNECTION

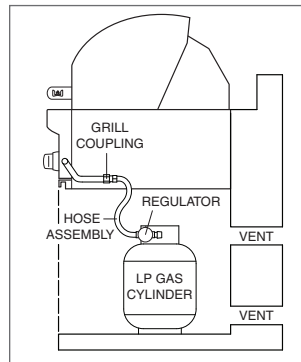
Install the pressure regulator and hose assembly supplied with the outdoor product as shown in the illustrations below. Connect the $\frac{3}{8}$ " flare end of the hose to the unit coupling using a $\frac{3}{4}$ " open wrench. Do not apply pipe sealant to the $\frac{3}{8}$ " flare connection. Connect the regulator to the LP cylinder hand-tighten, do not use a wrench.

⚠ WARNING

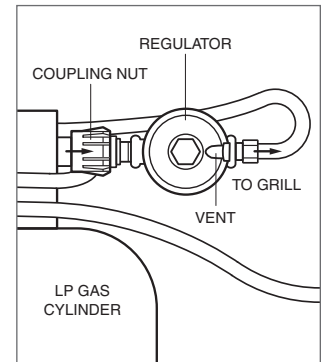
The LP pressure regulator and hose supplied with the outdoor product must be used without alteration.

⚠ WARNING

Do not place more than one LP gas cylinder in an enclosure at one time.



LP gas connection.



LP gas regulator.

Gas Leak Testing

IMPORTANT NOTE: Never use the outdoor product without first testing the gas line connections for gas leaks.

Perform a gas leak test each time the LP gas cylinder is connected to the regulator and any time part of the gas system is disconnected or replaced. This applies to natural gas as well as LP gas. Perform a leak test at least once each year whether the LP gas cylinder has been disconnected or not.

IMPORTANT NOTE: To prevent fire or explosion hazard, do not smoke or permit sources of ignition in the area while performing a leak test. Perform the gas leak test outdoors in a well ventilated area.

Have a dealer check the LP gas cylinder for deterioration when the tank is filled in accordance with regulations. Immediately replace the cylinder if any deterioration is found.

▲ WARNING

DO NOT use an open flame to check for gas leaks. Use of an open flame could result in a fire, explosion and bodily harm.

GAS LEAK TESTING PROCEDURE

- 1) Prepare a leak testing solution of soapy water by combining a mixture of half liquid soap and half water in a spray bottle.
- 2) Verify that all control knobs are in the OFF position.
- 3) Turn the cylinder valve knob counterclockwise one turn to open.
- 4) Apply the leak testing solution by spraying on the pipe joints, fittings and hose. Bubbles in the soap and water solution indicate that a gas leak is present.
- 5) Stop the leak by tightening the loose joint or by replacing the faulty part with a replacement part recommended by the Wolf. Do not attempt to repair the cylinder valve if it should become damaged. The cylinder must be replaced.
- 6) If you are unable to stop the leak, shut off the gas supply at the cylinder valve. Remove the LP gas cylinder. Call Wolf factory certified service. Do not use the outdoor product until the leak has been fixed.
- 7) Push in and turn any control knob to the ON position to release pressure in the hose and manifold.
- 8) Turn the control knob to the OFF position.

Outdoor Grill Assembly

Wolf outdoor products are produced fully assembled and tested in the factory and require no major assembly in the field. For the purpose of safe shipping and transit, some parts such as the briquette trays, warming rack and rotisserie components are wrapped inside the grill and require minor assembly.

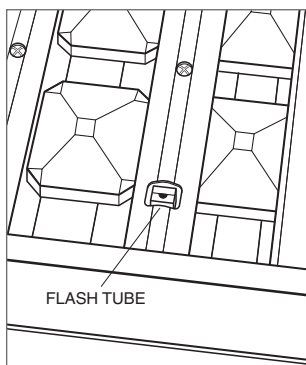
Remove all packaging materials, labels and protective plastic film from the grill.

IMPORTANT NOTE: Do not leave the grill or grill cart in the sun with the protective plastic film on for an extended period or it may be difficult to remove.

Verify that all grill components are included: control knobs, burner grates, large and small briquette tray assemblies, rotisserie motor with bracket, spit rod and meat forks, natural gas or LP gas regulator, basting pan, warming rack and smoker box assembly.

TO INSTALL BRIQUETTE TRAYS

- 1) Place the briquette trays into the grill above the burners with the flash tube at the front as shown in the illustration below.
- 2) Place the burner grates directly above the briquette trays and make sure the square openings on the grates are at the front.



Flash tube position.

Install Grill to Cart

Wolf portable grill carts are available to fit Wolf outdoor grill models OG30, OG36 and OG42.

- 1) In a cart application, two mounting screws are provided at the bottom right rear corner of the cart for the transformer. If not provided, drill two holes using the transformer box as a template. Install the transformer box.
- 2) Remove front mounting screws from cart. Place grill onto cart. Leave enough room at the back right rear of the cart to make connection to the transformer.
- 3) Once connection to the transformer is made, slide the grill back until it is fully engaged with the cart.
- 4) With grill in position, secure grill to cart with four screws provided. Mounting holes in the upper back corners of the grill will align with holes in the cart. Secure with two screws. Remove the drip tray. Install two screws through side mounting holes below the grill front panel and into the cart.

Install Side Burner to Cart

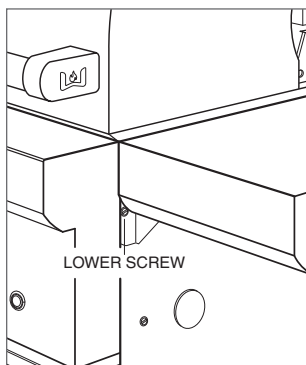
Wolf model SB13 side burner can be installed on the right side of any Wolf portable grill cart. For ease of installation, it is recommended that installation be performed by two technicians. Gloves should be worn to protect hands.

TOOLS AND MATERIALS REQUIRED

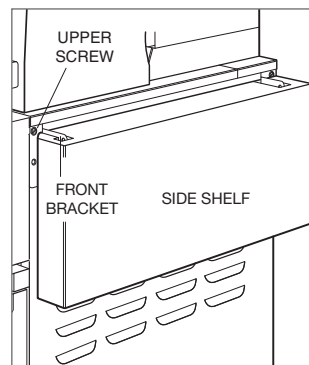
- Phillips screwdriver.
- Set of standard hex wrenches and open end wrenches.
- Alignment tool (provided).
- 12" (305) minimum bar clamp.
- Crescent wrench for LP gas installation.

REMOVE SIDE SHELF (IF INSTALLED) AND CART PLUG

- 1) Lift side shelf so lower front screw is exposed and remove screw. Refer to illus 1.
- 2) Lower shelf to down position and remove upper front screw. Refer to illus 2.
- 3) Remove side shelf and front bracket. Refer to illus 2.

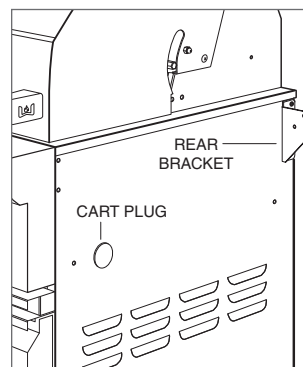


Illus 1.

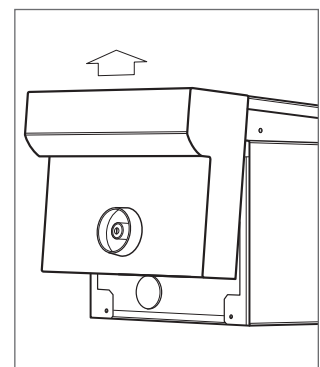


Illus 2.

- 4) Remove rear screws and bracket. Refer to illus 3.
- 5) Remove cart plug from access hole by pushing out from inside of cart. Refer to illus 3.
- 6) Side burner is placed inside shroud for shipping. Lift out to remove side burner from shroud. Refer to illus 4.



Illus 3.

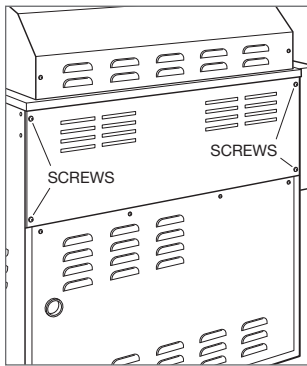


Illus 4.

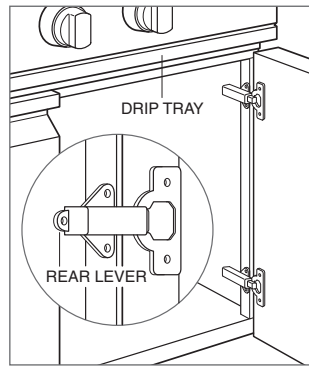
Install Side Burner to Cart

REMOVE REAR PANEL, DOOR AND DRIP TRAY

- 1) Removing rear panel and door of grill cart will provide easier access for installation. Remove rear panel by removing four screws. Refer to illus 5.
- 2) Remove door by depressing rear lever on each hinge. Refer to illus 6.
- 3) Removing grill drip tray will provide easier access for installation. To remove drip tray, slide forward and lift out. Refer to illus 6.



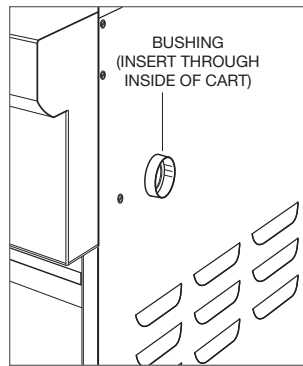
Illus 5.



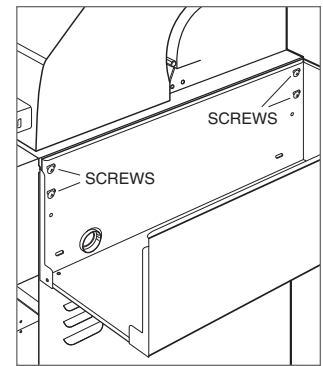
Illus 6.

INSTALL SHROUD

- 1) Push plastic bushing supplied with side burner through access hole from inside cart. Bushing must be applied in this direction. Refer to illus 7.
- 2) Hang shroud by hand-starting four 10-32 machine screws through the upper slots of the shroud, into the upper holes of the cart. Do not fully tighten these screws until proper alignment has been achieved. Refer to illus 8.



Illus 7.



Illus 8.

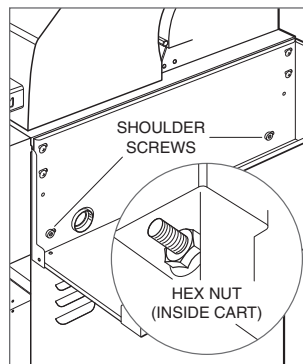
Install Side Burner to Cart

INSTALL SHROUD

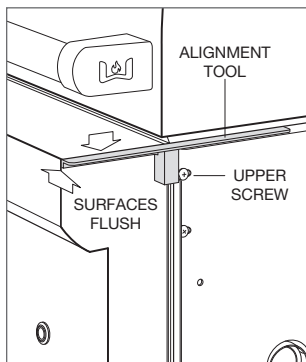
- 4) Place shroud alignment tool (provided) with lip placed in gap between grill and side burner shroud as shown in illus 9.
- 5) To properly align front of shroud, push alignment tool back until center block of alignment tool is flush against front vertical flange of shroud.
- 6) Align front of shroud (up and down) with alignment tool until top of tool is flush with top surface of grill bullnose (front ledge), and align shroud (front to back) with tool until front of tool is flush with front of bullnose. Tighten upper front 10-32 machine screw. Refer to illus 9.
- 7) Remove alignment tool from front of shroud and replace at rear of shroud. Align rear of shroud (up and down) with tool until top of tool is flush with top surface of grill. Tighten upper rear 10-32 machine screw. Refer to illus 10.

IMPORTANT NOTE: Verify with alignment tool that front of shroud did not move out of alignment. Realign if necessary.

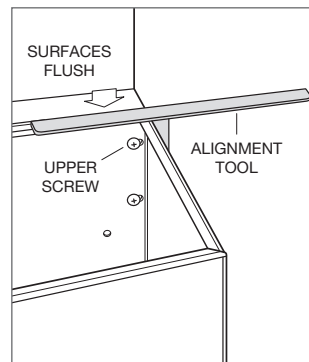
- 8) Remove alignment tool and tighten two remaining 10-32 machine screws to slots just below the upper screws.
- 9) Install two $\frac{5}{16} \times \frac{3}{8}$ hex drive shoulder screws into lower holes of shroud and through cart. Place two $\frac{1}{4}$ -20 hex nuts from inside of cart and tighten. Refer to illus 11.



Illus 11.



Illus 9.



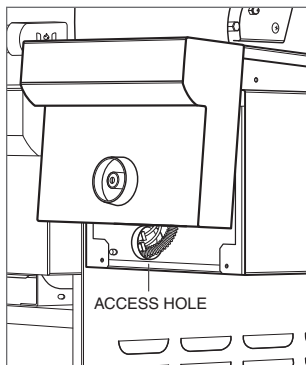
Illus 10.

Install Side Burner to Cart

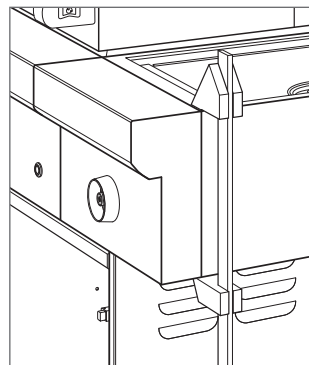
IMPORTANT NOTE: For natural gas installations, the gas line connection must be made before installing the side burner. Refer to page 20.

INSTALL SIDE BURNER

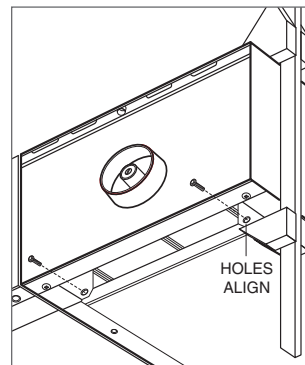
- 1) Place side burner into shroud as shown in illus 12. Guide flexible gas line and wire harness into cart access hole. Alignment of unit should be verified at this point, prior to attaching side burner to shroud. Refer to alignment tips on the following page if desired alignment is not achieved.
- 2) Using a minimum 12" (305) bar clamp with protected ends to avoid damage to stainless steel, place bar clamp just behind bullnose on fire box and under shroud. Do not include any part of bullnose within bar clamp. Refer to illus 13.
- 3) Compress bar clamp until hole in bullnose aligns with threaded hole in shroud. Alignment and placement of this screw is very important to alignment and squareness of side burner. Refer to illus 14.
- 4) Attach side burner to shroud by first placing 8-32 hex cap screw into right side of front underside of bullnose and into shroud as shown. Then, place the left side hex cap screw. Tighten both screws and remove bar clamp.
- 5) At rear of unit, push side burner toward grill to establish proper gap at rear. Loosen rear grill cart screws and shift grill if necessary to achieve proper gap. Attach two 8-18 pan head (sharp tip) screws into the rear of the side burner and shroud as shown in illus 15. Refer to alignment tips on the following page if desired alignment is not achieved.



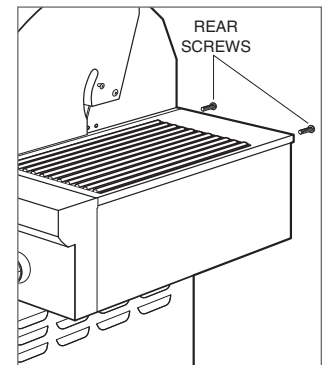
Illus 12.



Illus 13.



Illus 14.



Illus 15.

Install Side Burner to Cart

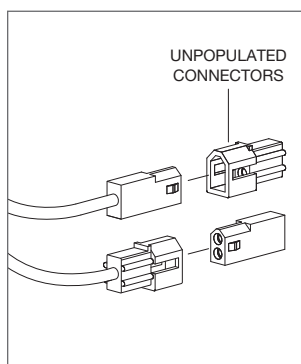
ALIGNMENT TIPS

IMPORTANT NOTE: There can be minimal variation in the manufacturing process of these outdoor products, so the alignment tool will not be precise in all applications.

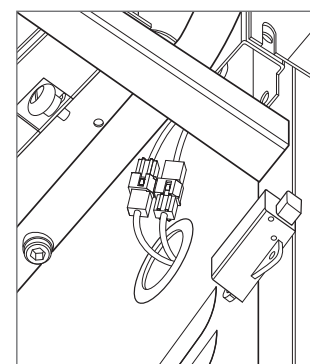
- If side burner does not align front to back, remove unit, loosen shroud screws and bolts and check with alignment tool. Nudge side burner forward or backward to establish proper alignment. Verify that alignment up and down is still accurate. Tighten screws and bolts. Check alignment and adjust again, if necessary.
- If side burner does not align up and down near front of unit, loosen hex cap screws under bullnose, lift up or push down on unit to achieve desired alignment and tighten screws.
- If side burner does not align up and down near rear of unit, loosen pan head screws at rear of unit, lift up or push down on unit to achieve desired alignment and tighten screws.
- If side burner does not align side to side, loosen hex cap screws under bullnose and pan head screws at rear of unit. Push in or pull out on side burner to achieve desired alignment. If necessary, loosen screws at rear of grill where grill attaches to cart and align grill with side burner. Tighten screws.

ELECTRICAL CONNECTION

- 1) Depending on the serial number of the grill, there may be one or two connectors near the front of the grill just above the manifold. Refer to auxiliary harness section for serial numbers. Locate the connector(s) by looking above the manifold near the front of the grill.
- 2) Remove the unpopulated connector housing(s) from the wire harness(es) coming from the grill as shown in illus 16.
- 3) Attach the appropriate connector housing(s) from the side burner to the grill. Refer to illus 17. If only one connector is found on the grill, refer to the auxiliary harness section for assembly of the second connector housing.



Illus 16.

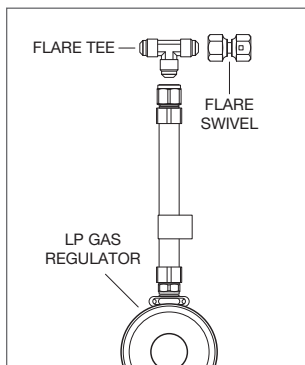


Illus 17.

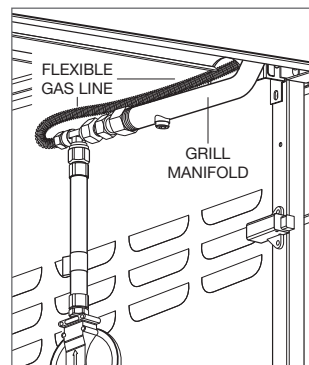
Install Side Burner to Cart

GAS LINE CONNECTION (LP GAS)

- 1) Connect 2-stage LP gas regulator to flare tee at location shown. Connect flare swivel connector to one end of flare tee. Refer to illus 18.
- 2) Connect this assembly to flexible gas line coming into grill cart from side burner as shown illus 19.
- 3) Connect this assembly to grill manifold at flare swivel connector as shown illus 19.
- 4) Reinstall rear panel and door of grill cart. Reposition grill drip tray. Place burner cap on burner head, place grate on burner pan and affix knob to bezel with bezel nylon liner.



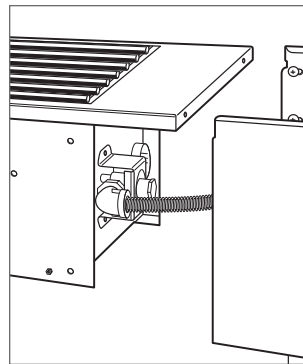
Illus 18.



Illus 19.

GAS LINE CONNECTION (NATURAL GAS)

- 1) Split high pressure natural gas line into two lines, one to attach to outdoor grill natural gas regulator and one to attach to side burner via flexible line and 1/2" NPT adapter. Make sure that flexible gas line is placed through cart access hole. Attach flexible line to side burner regulator at pipe elbow. Elbow may be rotated to face downward for larger adapters. Do not rotate elbow upward. Refer to illus 20.



Illus 20.

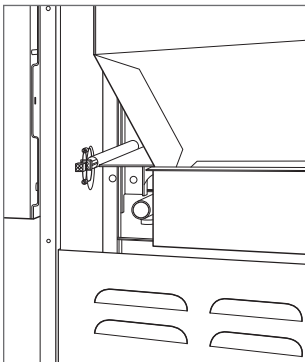
Install Side Burner to Cart

AUXILIARY HARNESS (IF APPLICABLE)

If you purchased a Wolf outdoor grill with serial number listed below, you will have received an auxiliary harness. If this harness has not been provided with your side burner, contact Wolf customer care 800-222-7820.

Auxiliary Harness	
GRILL	PRIOR TO SERIAL NUMBER
Model OG30	11364339
Model OG36	11363946
Model OG42	11363911

- 1) If still installed, rear panel of cart must be removed to install auxiliary harness. Remove rear panel by removing four screws. Refer to illus 5 on page 16.
- 2) With wire ties provided, attach auxiliary harness to fire box fin or existing wire harness. 4-pin connector cluster should be placed facing rear of grill and 2-pin connector should be placed facing front. Harness must be tied down tightly and must not touch grill fire box. Refer to illus 21.
- 3) If connected, disconnect transformer 4-pin connector at rear of grill. Attach one of 4-pin connectors to 4-pin connector attached to grill. Attach other 4-pin connector to 4-pin connector from transformer.
- 4) Remove unpopulated connector housing from wire harness coming from grill. Insert each connector housing from side burner harness to corresponding housing on grill harness and on auxiliary harness. There are two connections to be made. Refer to illus 16 and 17 on page 19.
- 5) Reinstall rear panel of cart.



Illus 21.

Installation Checklist

IMPORTANT NOTE: To ensure a safe and proper installation, the following checklist should be completed by the installer to ensure that no part of the installation has been overlooked.

Any questions or problems about the installation should be directed to your authorized Wolf dealer or Wolf customer care at 800-222-7820. You can also visit our website at wolfappliance.com.

- All packaging material has been removed.
- Specified clearances to combustible materials have been maintained.
- All burners light properly, individually and with adjacent burners lit.
- All flames appear normal.
- The drip tray slides freely and is properly placed.
- The correct gas pressure regulator is connected for natural or LP gas and set according to specifications on page 11.
- The LP gas cylinder is in an upright position and the hose is not kinked.
- The outdoor product has been tested and is free of any gas leak.
- The homeowner has been informed of the gas supply shut-off valve location.

Troubleshooting

IMPORTANT NOTE: If the outdoor gas grill does not operate properly, follow these troubleshooting steps:

- Verify that gas is being supplied to the grill.
- Check the gas supply and electrical connections to ensure that the installation has been completed correctly.
- Check that control knobs are turned to the ON position and held in to active the igniters.
- Follow troubleshooting procedures as described in the Wolf outdoor gas grills use & care guide.
- If the outdoor grill still does not operate properly, contact Wolf factory certified service. Do not attempt to repair the grill yourself. Wolf is not responsible for service required to correct a faulty installation.

⚠ WARNING

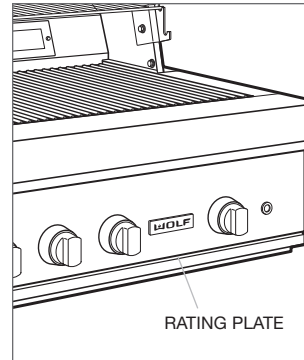
Be sure to disconnect the electrical and gas supply before servicing.

Service Information

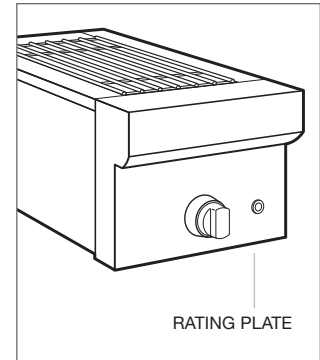
If service is necessary, maintain the quality built into your outdoor grill by contacting Wolf factory certified service.

For the name and number of Wolf factory certified service nearest you, check the contact & support section of our website, wolfappliance.com or call Wolf customer care at 800-222-7820.

When calling for service, you will need the model and serial numbers of the outdoor product. Both numbers are listed on the product rating plate. For the outdoor grill, the rating plate is located above the drip tray, behind the logo. The drip tray must be removed to view the rating plate. For the burner module and side burner, the rating plate is located under the bullnose on the right side. Refer to the illustrations.



Outdoor grill.



Burner module and side burner.



The information and images in this guide are the copyright property of Wolf Appliance, Inc. Neither this guide nor any information or images contained herein may be copied or used in whole or in part without the express written permission of Wolf Appliance, Inc. ©Wolf Appliance, Inc. all rights reserved.

Wolf, Wolf & Design, Wolf Gourmet, W & Design and the color red as applied to knobs are registered trademarks and service marks of Wolf Appliance, Inc. Sub-Zero, Sub-Zero & Design, Dual Refrigeration, Constant Care and The Living Kitchen are registered trademarks and service marks of Sub-Zero, Inc. (collectively, the "Company Marks.") All other trademarks or registered trademarks are property of their respective owners in the United States and other countries.



WOLF APPLIANCE, INC. P. O. BOX 44848 MADISON, WI 53744 WOLFAPPLIANCE.COM 800.222.7820

816975 REV-A

8/2011

