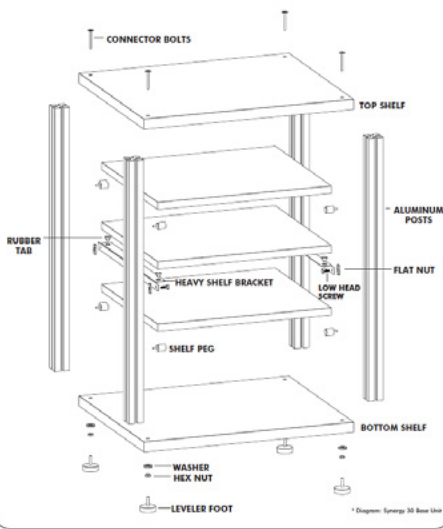


SYNERGY

SYNERGY BASE UNIT - SU20 / SU30 / SU40



WARNING: If you are installing accessories such as doors or drawers to the base unit, read all instructions for the accessory and install in conjunction with these instructions.

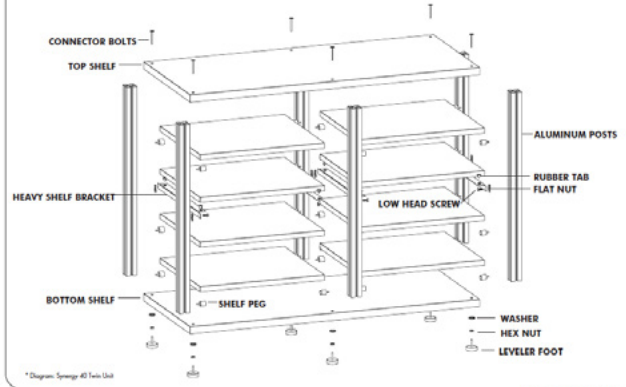


SYNERGY SINGLE
(SU20/SU30/SU40)

SYNERGY TWIN UNIT - SN20 / SN30 / SN40



WARNING: If you are installing accessories such as doors or drawers to the base unit, read all instructions for the accessory and install in conjunction with these instructions.

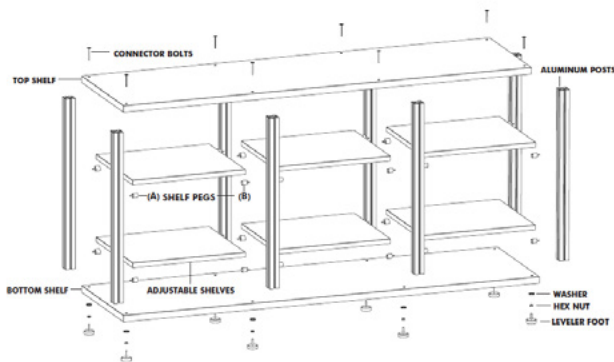


SYNERGY TWIN
(SN20/SN30/SN40)

SYNERGY TRIPLE UNIT - SL20 / SL30 / SL40



WARNING: If you are installing accessories such as doors or drawers to the base unit, read all instructions for the accessory and install in conjunction with these instructions.

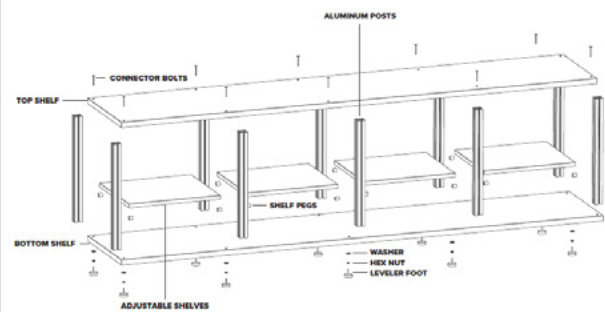


SYNERGY TRIPLE
(SL20/SL30/SL40)

SYNERGY QUAD UNIT - SQ20 / SQ30



WARNING: If you are installing accessories such as doors or drawers to the base unit, read all instructions for the accessory and install in conjunction with these instructions.

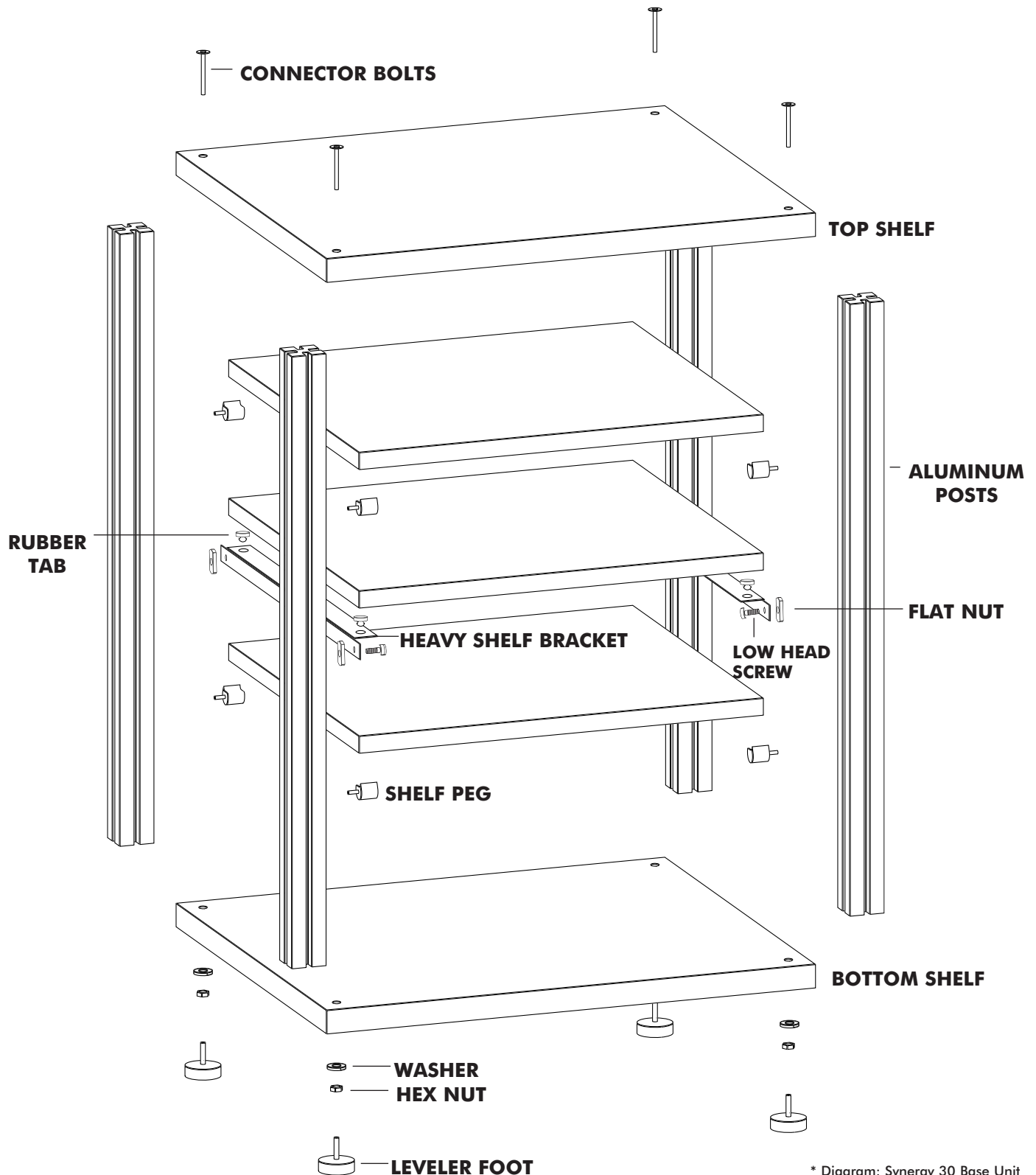


SYNERGY QUAD
(SQ20/SQ30)

SYNERGY BASE UNIT - SU20 / SU30 / SU40



WARNING: If you are installing accessories such as doors or drawers to the base unit, read all instructions for the accessory and install in conjunction with these instructions.



* Diagram: Synergy 30 Base Unit

Parts

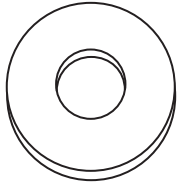
- 4 - Aluminum Post
- 1 - Top Shelf
- 1 - Bottom Shelf
- 1 - Rear Panel

- Adjustable Shelf (SU20 - 1) • (SU30 - 3) • (SU40 - 4)
- Heavy Duty Shelf Bracket (SU30 - 2) • (SU40 - 2)
- 1 - Spacer Tool

1x (400-060) - 3/16" Hex Key

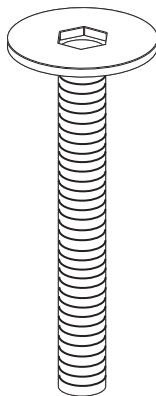


4x



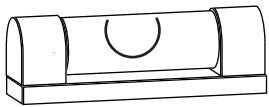
(300-470) - Washer

4x

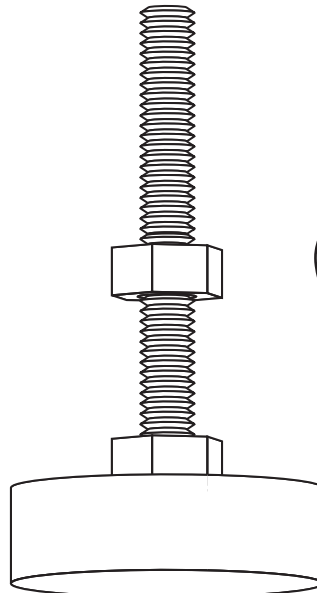


(300-540) - Connector Bolt

1x

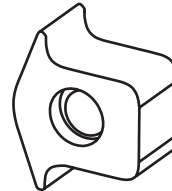


(P-400-040) - Level

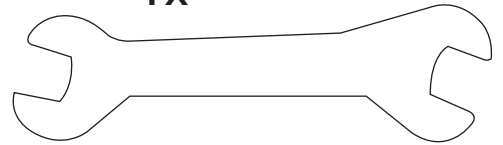


(P-300-320) - Leveler Foot

(PHK-375)
SU20 - 4x
SU30 - 8x
SU40 - 12x



1x

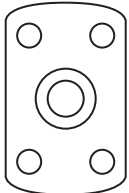


Rear Panel Bag - PHK-240

1x (400-070) - 1/8" Hex Key

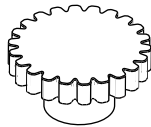


4x



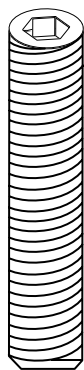
(300-560) - Flat Nut

4x



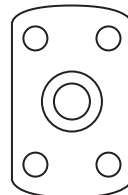
(300-530) - ThumbNut

4x



Heavy Shelf Bracket Bag - PHK-150 (Only SU30 / SU40)

4x



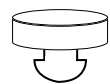
(300-560) - Flat Nut

4x



(300-490)
Low Head Screw

4x



(300-610) - Rubber Tab



Limited Warranty

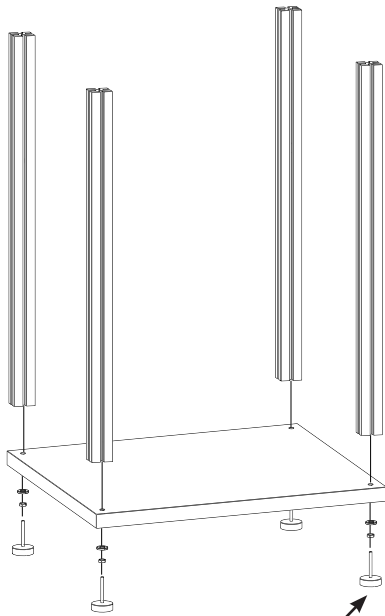
For five full years Salamander Designs Ltd will repair or replace, at our option, any product defective in materials or craftsmanship. Salamander Designs Ltd. will not be responsible for any damage to or destruction of other equipment consequential to our equipment failure. Defective product must be given Return Authorization and is to be returned to the factory prepaid, in the original carton and packing material. Any damage incurred in a shipment not in original packaging shall be the responsibility of the owner. Warranty repairs will be returned prepaid, via UPS within the continental U.S.A. only.

Salamander Designs Ltd. 800-535-5659

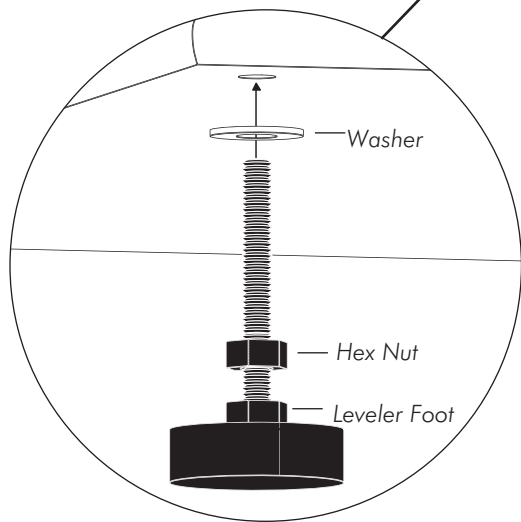
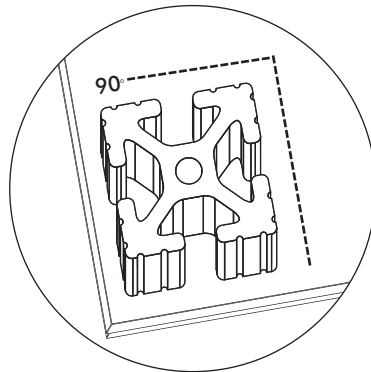
www.SalamanderDesigns.com

1 Connect Posts to Bottom Shelf

WARNING: Tighten by screwing the leveler foot NOT the post.



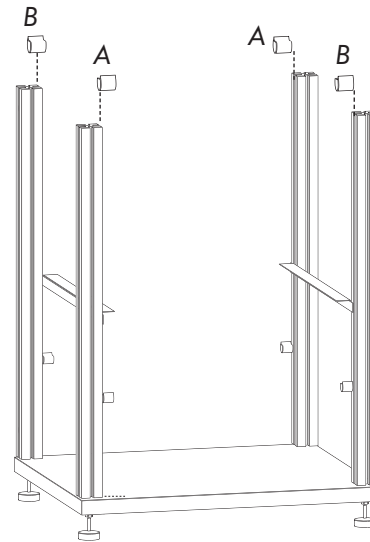
A. Square Post
Square the post to the bottom shelf.



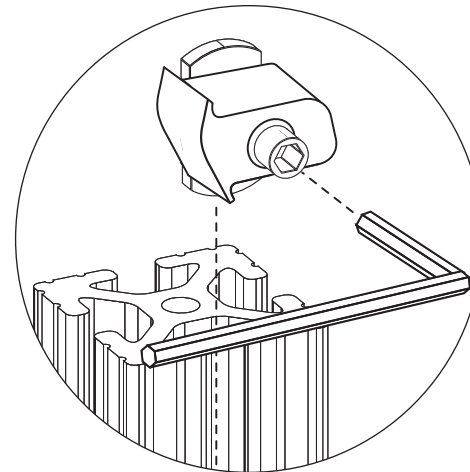
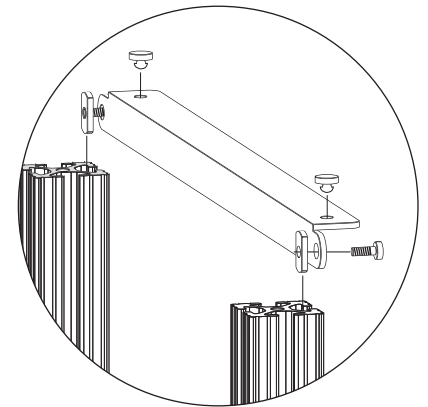
B. Connect Post
Screw foot with metal washer through bottom shelf and onto the end of the post. Hand tighten fully then use wrench on hex nut to back tighten nut onto underside of shelf.

2 Add Shelf Pegs

WARNING: If you are installing an optional door or drawer refer to specific instructions before proceeding.



A.
Insert all shelf pegs and heavy shelf brackets (SU30 / SU40 only) down each post.

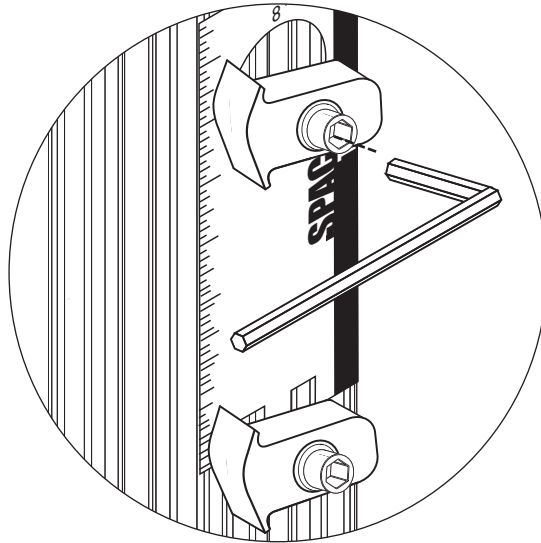


B.
Gently tighten pegs and brackets with the hex key to desired position.

3 Adjust Shelf Pegs & Add Shelves

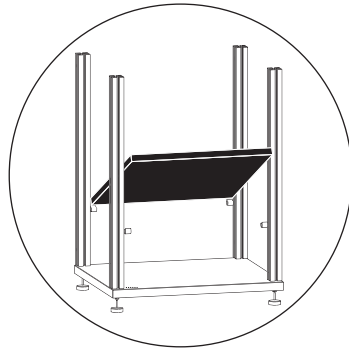
A. Adjusting Shelves

Insert peg down the post channel and position the peg through the Spacer and tighten. You may also consider using books or CD's for shelf spacing.



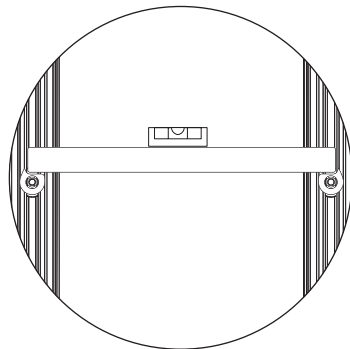
B. Placing Shelves

Place shelves from the bottom up. Angle the shelf in between the front post and set on top of shelf pegs and heavy duty brackets.

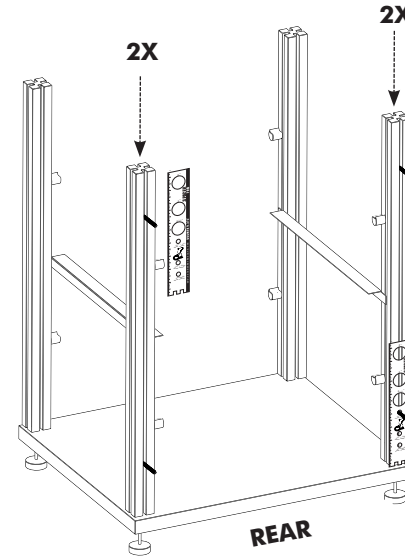


C. Fine Tuning

Use the bubble level to precisely adjust the shelves. Be sure to level both side to side as well as front to back. Use the hex key to tighten each peg.

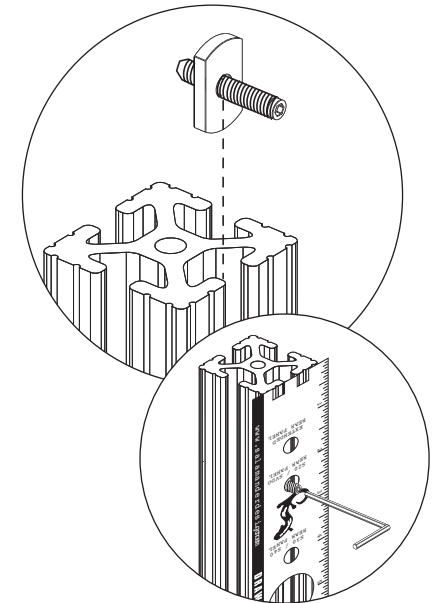


4 Attach Rear Panel



A. Insert Hardware

Combine the 1" threaded studs with the flat nuts. Slide hardware into rear channel



STOP

Side Panels

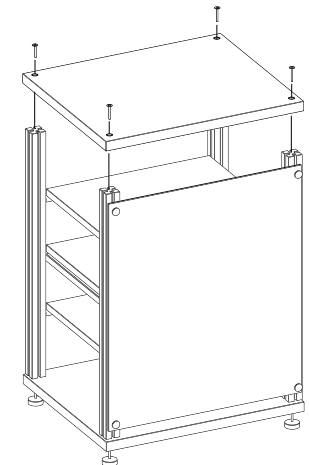
Before enclosing the unit with the top shelf install side panels (if applicable). See Side Panel Instructions

B. Secure Rear Panel

Secure thumb nuts to finish panel installation.

C. Install Top

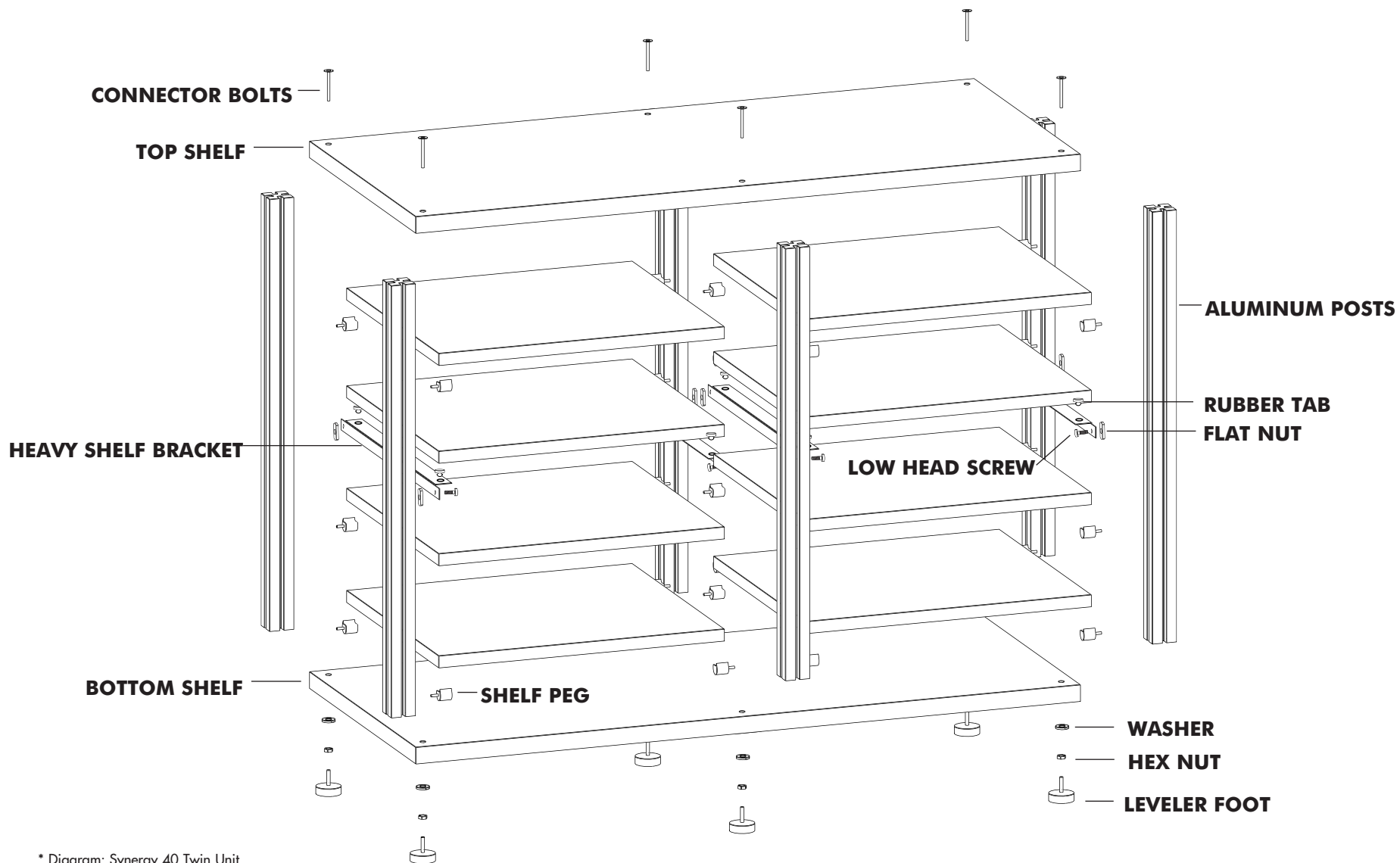
Insert the four connector bolts and tighten shelf down.



SYNERGY TWIN UNIT - SN20 / SN30 / SN40



WARNING: If you are installing accessories such as doors or drawers to the base unit, read all instructions for the accessory and install in conjunction with these instructions.



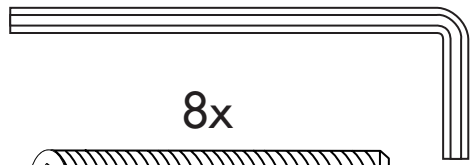
* Diagram: Synergy 40 Twin Unit

Parts

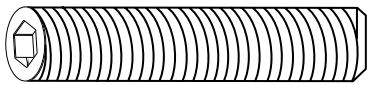
- 6 - Aluminum Posts
- 1 - Top Shelf
- 1 - Bottom Shelf
- 2 - Rear Panels
- Adjustable Shelf (SN20 - 2) • (SN30 - 4) • (SN40 - 8)
- Heavy Duty Shelf Bracket (SN40 - 4)
- 1 - Spacer Tool

Rear Panel Bag - PHK-240

2x (400-070) - 1/8" Hex Key

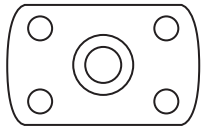


8x



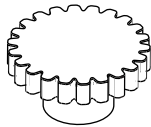
(300-510) - Stud

8x



(300-560) - Flat Nut

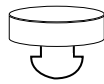
8x



(300-530) - ThumbNut

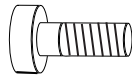
Heavy Shelf Bracket PHK-150 (Only

8x



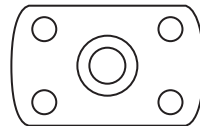
(300-610)
Rubber Tab

8x



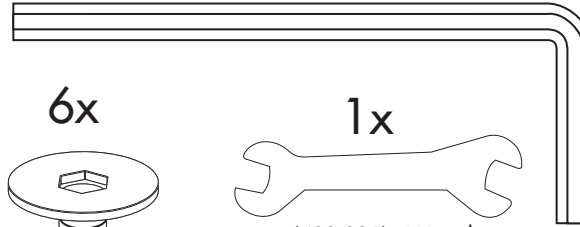
(300-490)
Low Head Screw

8x

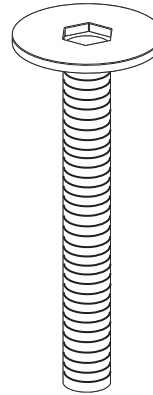


(300-560) - Flat Nut

1x (400-060) - 3/16" Hex Key

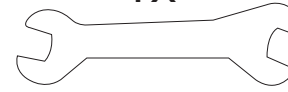


6x



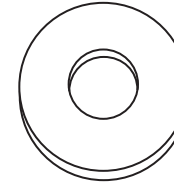
(300-540)
Connector Bolt

1x



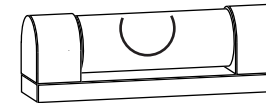
(400-035) - Wrench

6x



(300-470)
Washer

1x

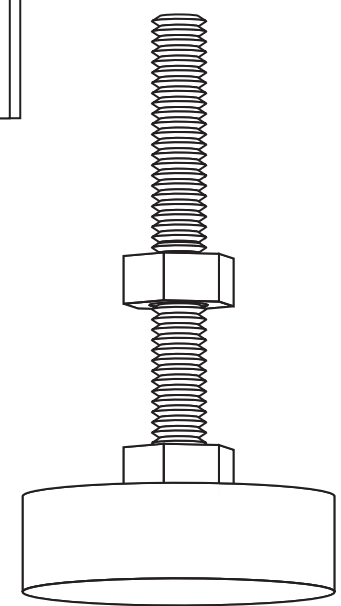


(P-400-040) - Level



(PHK-375)
SN20 - 8x
SN30 - 16x
SN40 - 24x

6x



(P-300-320) - Leveler Foot



Limited Warranty

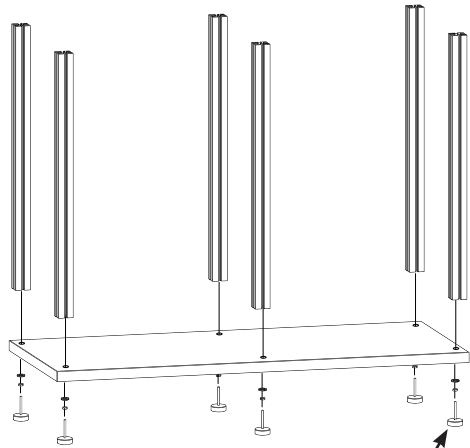
For five full years Salamander Designs Ltd will repair or replace, at our option, any product defective in materials or craftsmanship. Salamander Designs Ltd. will not be responsible for any damage to or destruction of other equipment consequential to our equipment failure. Defective product must be given Return Authorization and is to be returned to the factory prepaid, in the original carton and packing material. Any damage incurred in a shipment not in original packaging shall be the responsibility of the owner. Warranty repairs will be returned prepaid, via UPS within the continental U.S.A. only.

Salamander Designs Ltd. 800-535-5659

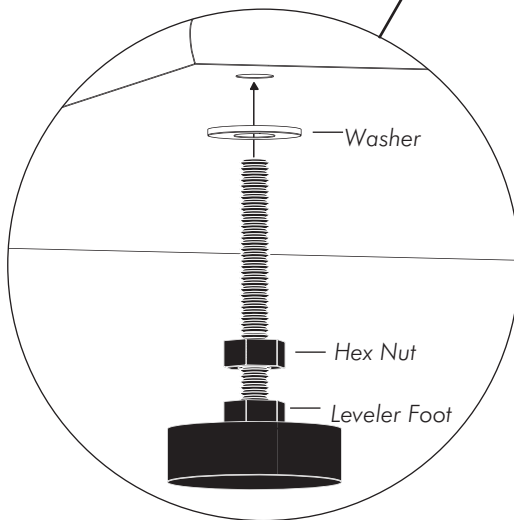
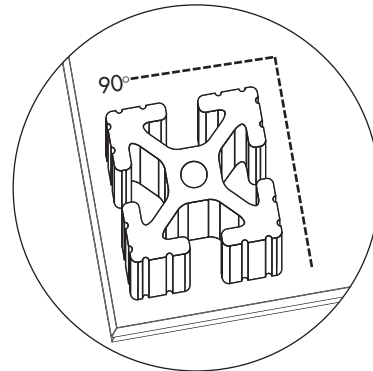
www.SalamanderDesigns.com

1 Connect Posts to Bottom Shelf

WARNING: Tighten by screwing the leveler foot NOT the post.



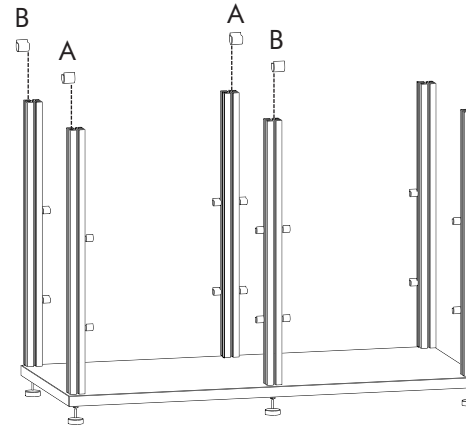
A. Square Post
Square the post to the bottom shelf.



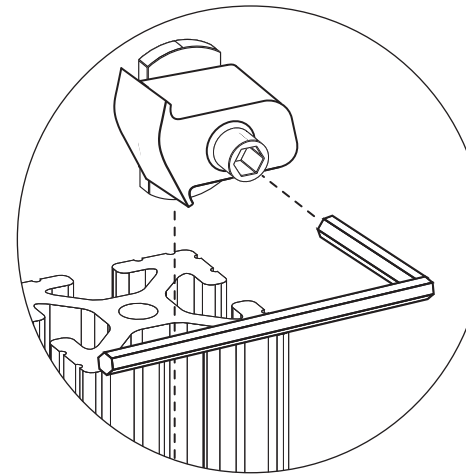
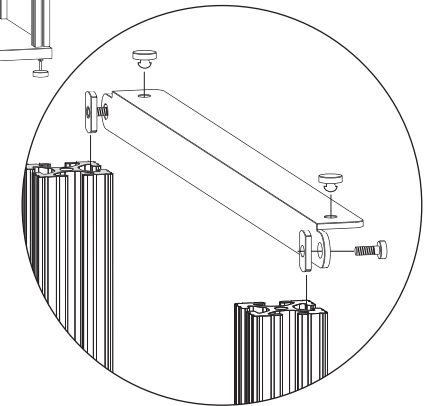
B. Connect Post
Screw foot with metal washer through bottom shelf and onto the end of an extruded post. Hand tighten fully then use wrench on hex nut to tighten nut onto underside of shelf.

2 Add Shelf Pegs

WARNING: If you are installing an optional door or drawer refer to specific instructions before proceeding.



A.
Insert all shelf pegs and heavy shelf brackets (SN40 only) down each post.

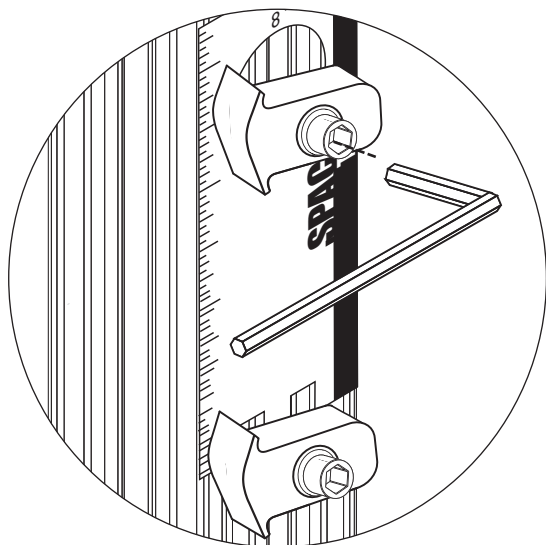


B.
Gently tighten pegs and brackets with the hex key to desired position.

3 Adjust Shelf Pegs / Add Shelves

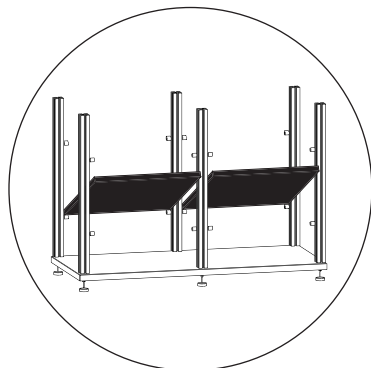
A. Adjusting Shelves

Insert peg down the post channel and position the peg through the Spacer and tighten. You may also consider using books or CD's for shelf spacing.



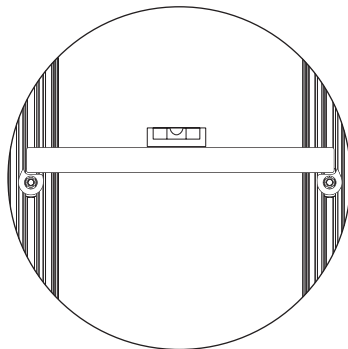
B. Placing Shelf

Place shelves from the bottom up. Angle the shelf in between the front post and set on top of shelf pegs and heavy duty brackets.

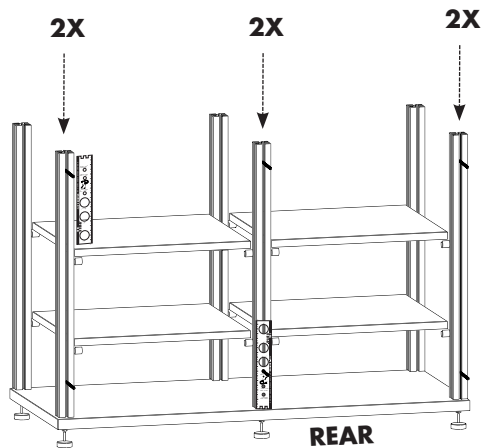


C. Fine Tuning

Use the bubble level to precisely adjust the shelves. Be sure to level both side to side as well as front to back. Use the hex key to tighten each peg.

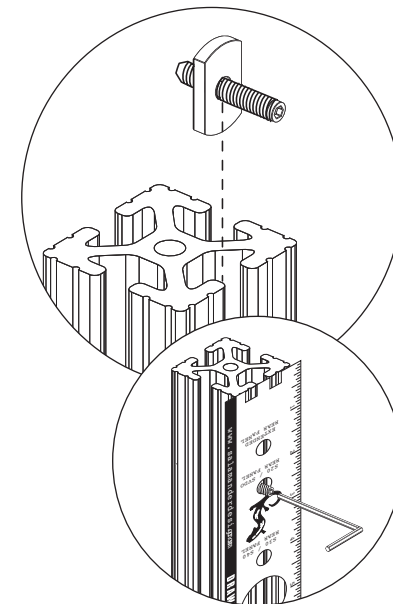


4 Attach Rear Panel



A. Insert Hardware

Combine the 1" threaded studs with the flat nuts. Slide hardware into rear channel



STOP

Side Panels

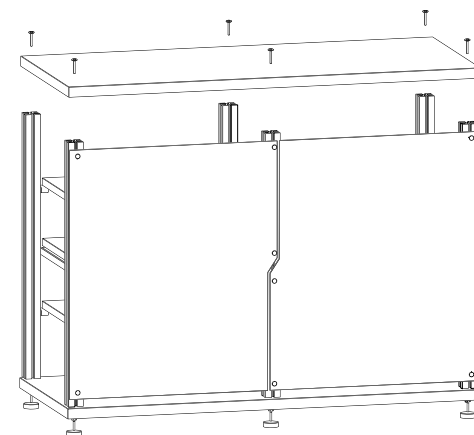
Before enclosing the unit with the top shelf install side panels (if applicable). See Side Panel Instructions

B. Secure Rear Panel

Secure thumb nuts to finish panel installation.

C. Install Top

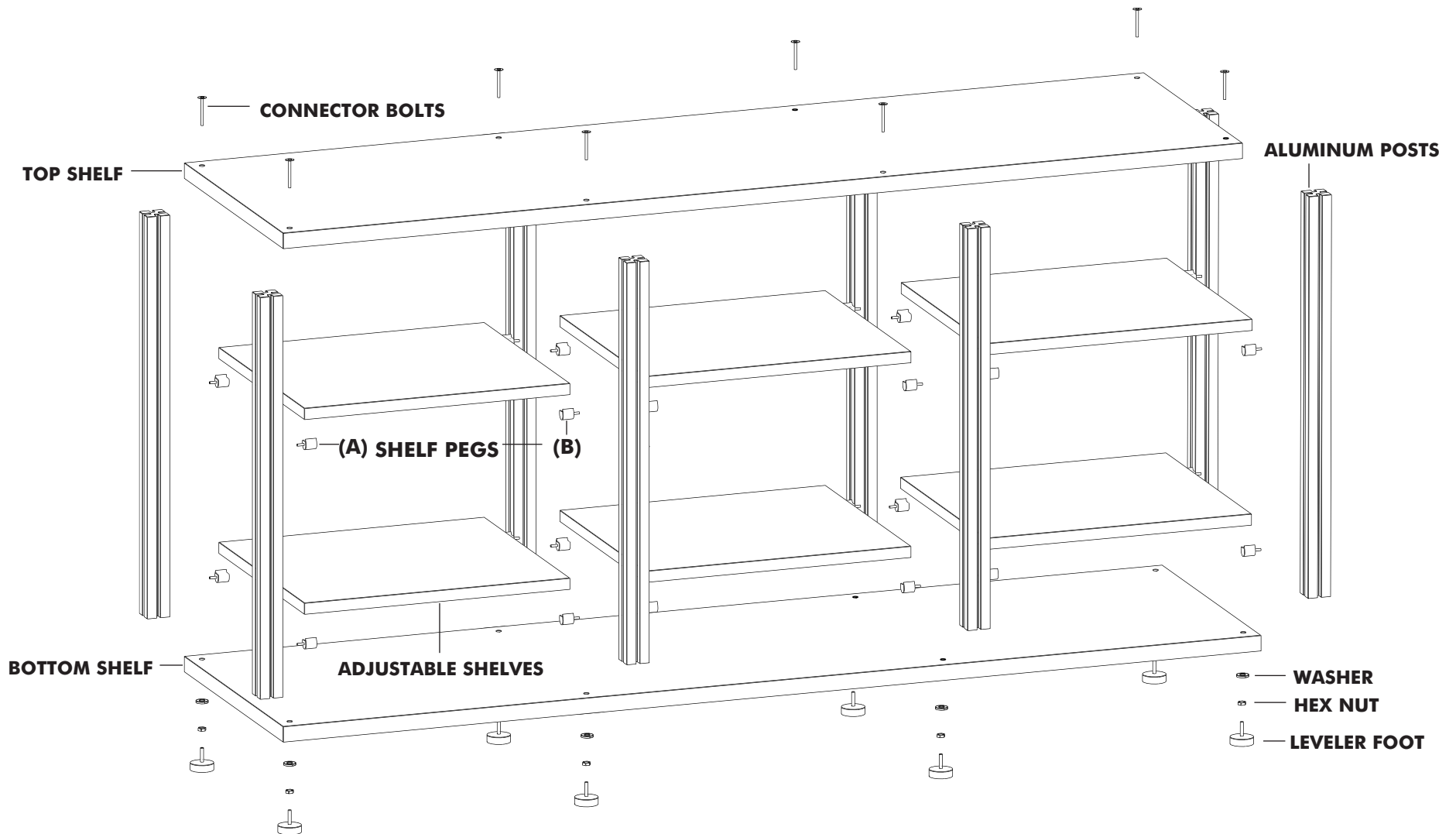
Insert the four connector bolts and tighten shelf down.



SYNERGY TRIPLE UNIT - SL20 / SL30 / SL40



WARNING: If you are installing accessories such as doors or drawers to the base unit, read all instructions for the accessory and install in conjunction with these instructions.



* Diagram: Synergy 30 Triple Unit

Doc No. 500-780 v6.20 TRIPLE - 1 of 4

Parts

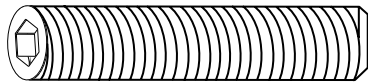
- 8 - Aluminum Posts
- 1 - Top Shelf
- 1 - Bottom Shelf
- 3 - Rear Panels
- Adjustable Shelf (SL20 -3) • (SL30 - 6)
- 1 - Spacer Tool

Rear Panel Bags - PHK-240

1x (400-070) - 1/8" Hex Key

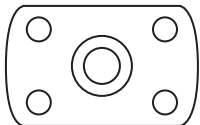


12x



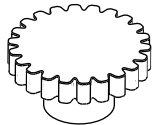
(300-510) - Stud

12x



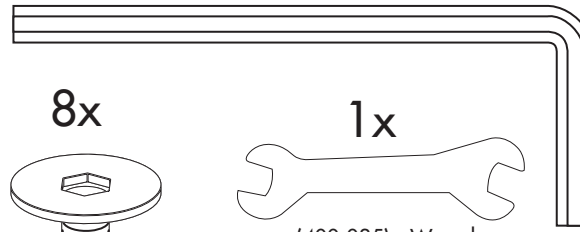
(300-560) - Flat Nut

12x

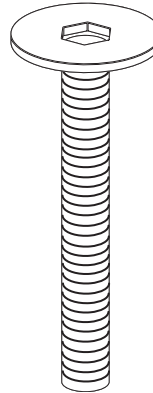


(300-530) - ThumbNut

1x (400-060) - 3/16" Hex Key

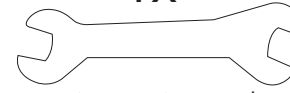


8x



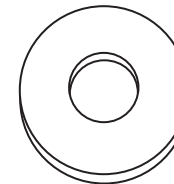
(300-540)
Connector Bolt

1x



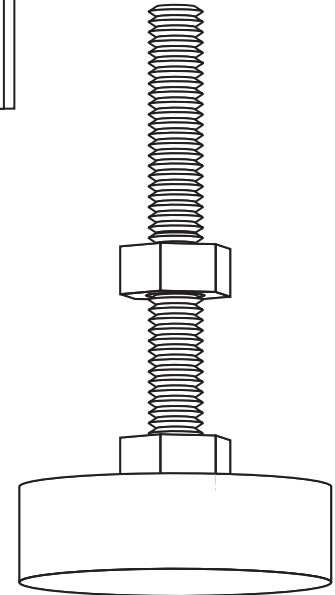
(400-035) - Wrench

8x



(300-470)
Washer

8x



(P-300-320) - Leveler Foot



(PHK-375)
SL20 - 12x
SL30 - 24x

1x



(P-400-040) - Level



Limited Warranty

For five full years Salamander Designs Ltd. will repair or replace, at our option, any product defective in materials or craftsmanship. Salamander Designs Ltd. will not be responsible for any damage to or destruction of other equipment consequential to our equipment failure. Defective product must be given Return Authorization and is to be returned to the factory prepaid, in the original carton and packing material. Any damage incurred in a shipment not in original packaging shall be the responsibility of the owner. Warranty repairs will be returned prepaid, via UPS within the continental U.S.A. only.

Salamander Designs Ltd. 800-535-5659

©2003 Salamander Designs Ltd. © Synergy System - U.S.A. Patented.

www.SalamanderDesigns.com

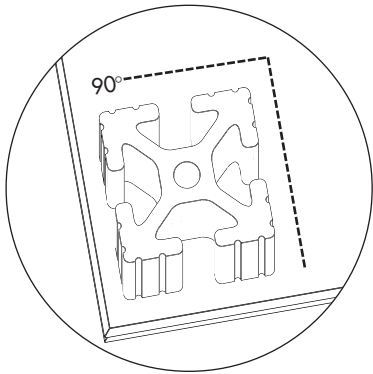
Doc No. 500-780 v6.20 TRIPLE - 2 of 4

1 Connect Posts to Bottom Shelf

WARNING: Tighten by screwing the leveler foot NOT the post.

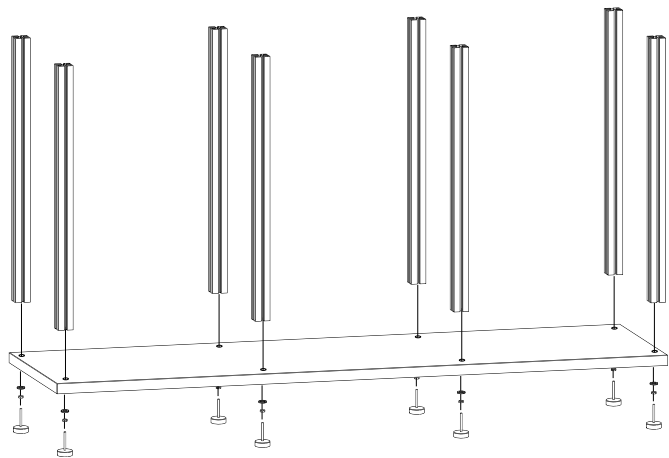
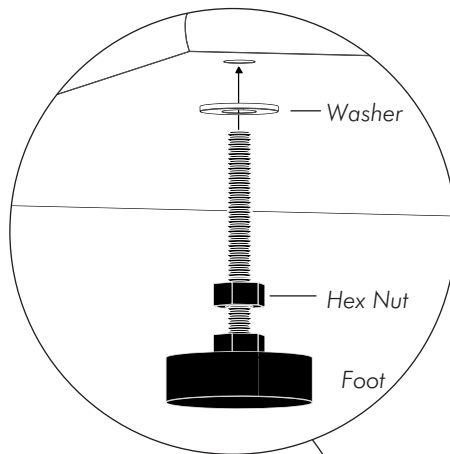
A. Square Post

Square the post to the bottom shelf.



B. Connect Post

Screw foot with metal washer through bottom shelf and onto the end of an extruded post. Hand tighten fully then use wrench on hex nut to tighten nut onto underside of shelf.

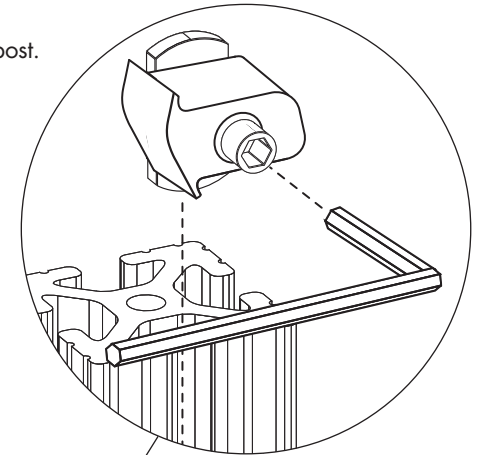


2 Add Shelf Pegs

WARNING: If you are installing an optional door or drawer refer to specific instructions before proceeding.

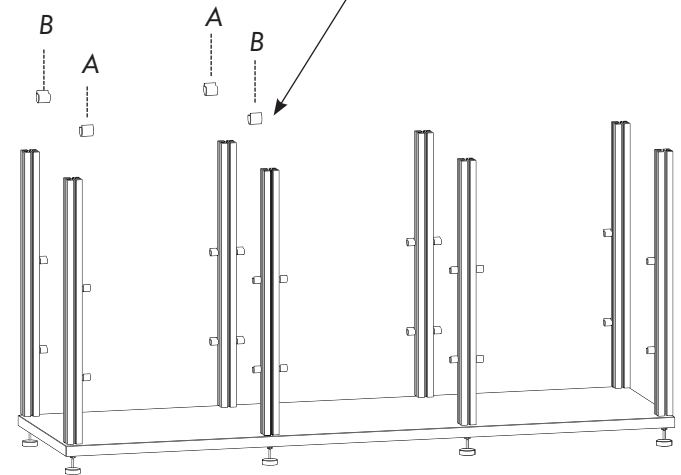
A.

Insert all shelf pegs down each post.



B.

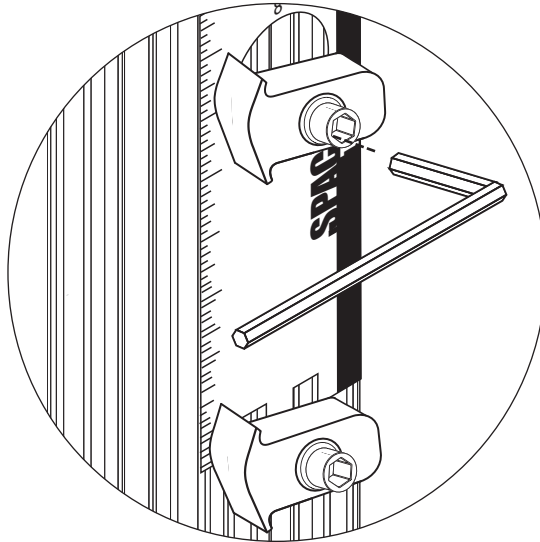
Gently tighten pegs with the hex key to desired position.



3 Adjust Shelf Pegs & Add Shelves

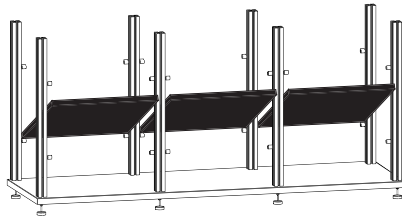
A. Adjusting Shelves

Insert peg down the post channel and position the peg through the Spacer and tighten. You may also consider using books or CD's for shelf spacing.



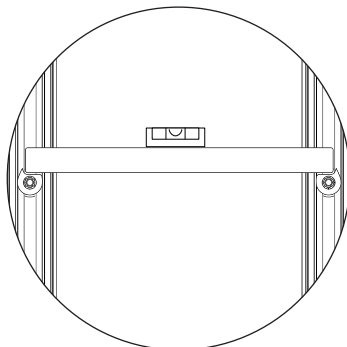
B. Placing Shelf

Place shelves from the bottom up. Angle the shelf in between the front post and set on top of shelf pegs and heavy duty brackets.



C. Fine Tuning

Use the bubble level to precisely adjust the shelves. Be sure to level both side to side as well as front to back. Use the hex key to tighten each peg.

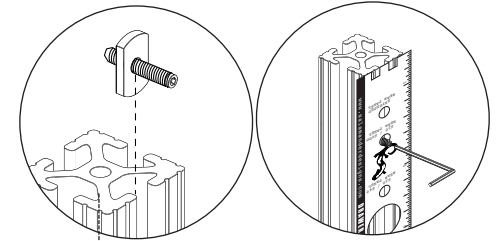


4 Attach Rear Panel & Top Shelf

A. Insert & Align Studs

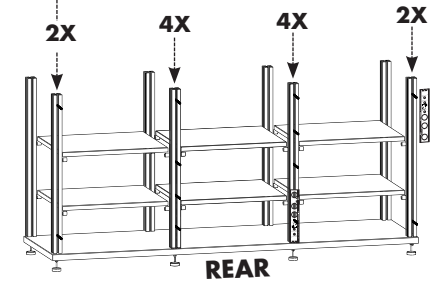
Combine the 1" threaded studs with the flat nuts. Slide hardware into rear posts.

Use the Spacer Tool to align top and bottom studs.



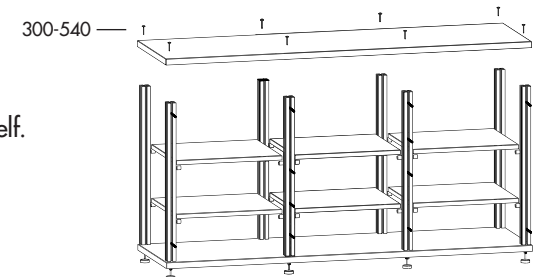
Side Panels

Before enclosing the unit with the top shelf install side panels (if applicable). See Side Panel Instructions



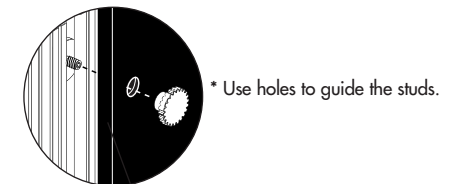
B. Install Top

Insert the top 8 connector bolts and tighten down top shelf.



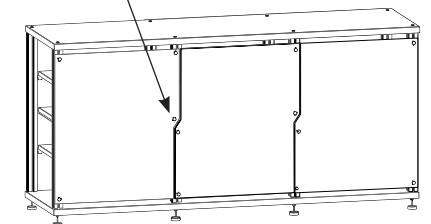
C. Secure Rear Panel

Place panels and secure thumb nuts to finish rear panel installation.



TIP

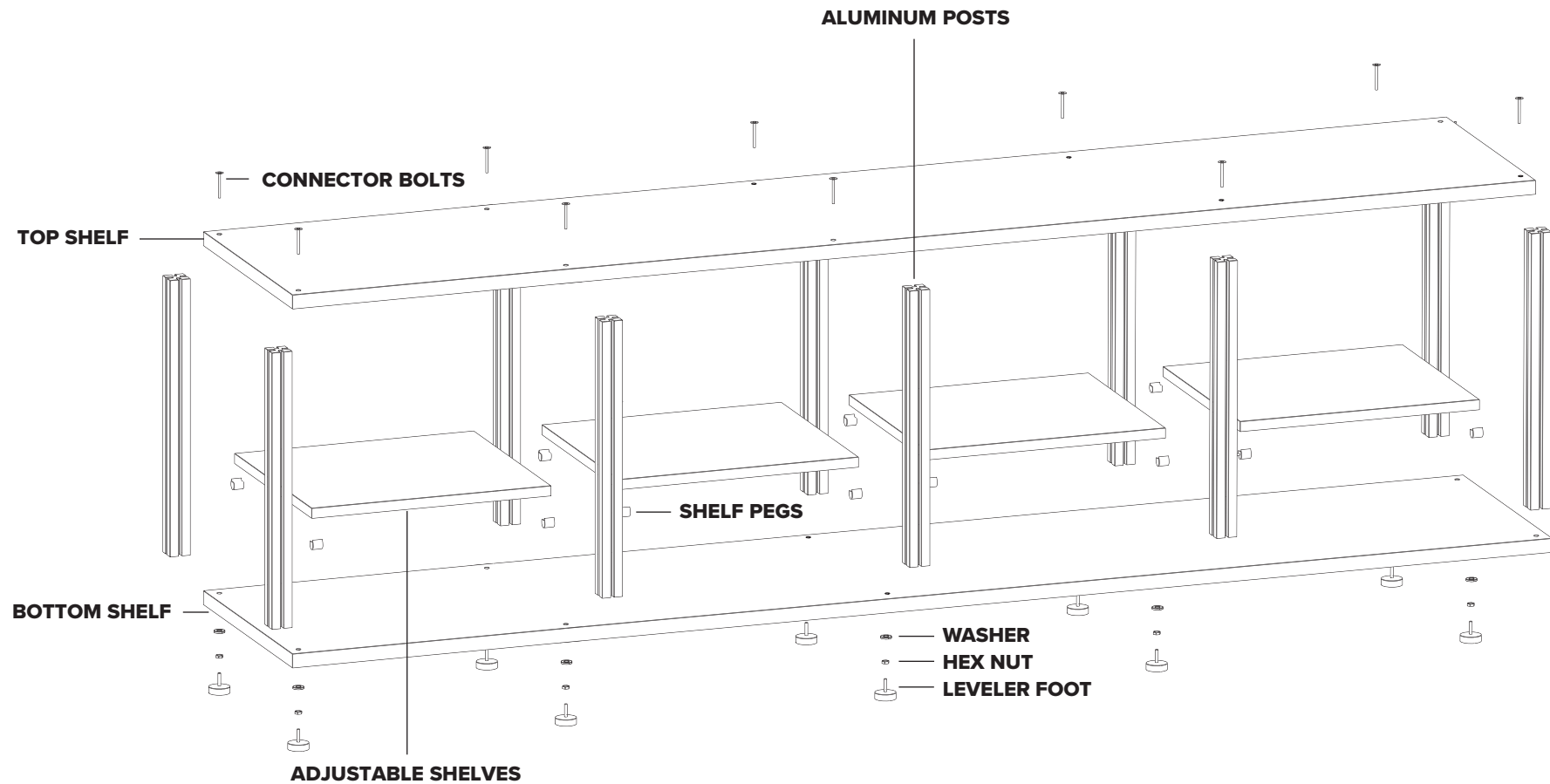
To ease installation of rear panels first remove any drawers and/or doors and gently place the unit face down on the floor to improve aligning of panels.



SYNERGY QUAD UNIT - SQ20 / SQ30

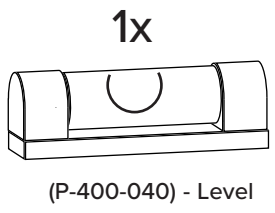
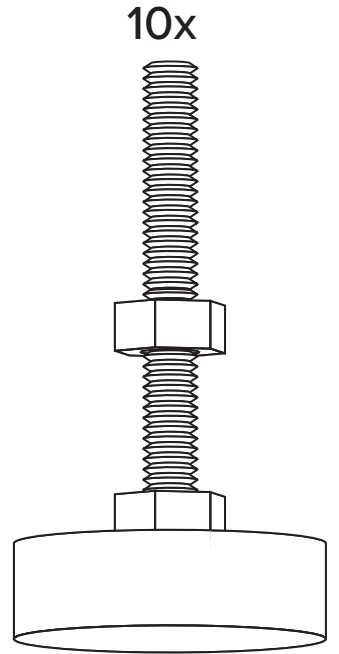
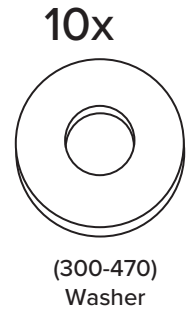
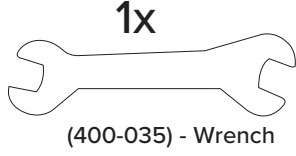
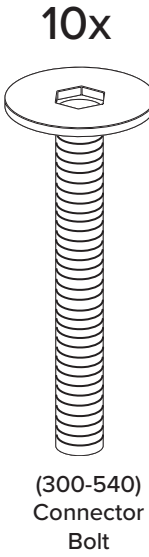
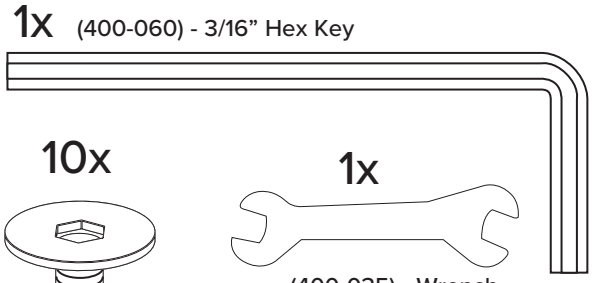


WARNING: If you are installing accessories such as doors or drawers to the base unit, read all instructions for the accessory and install in conjunction with these instructions.



Parts

- 10 - Aluminum Posts Adjustable Shelf (SQ20 - 4) • (SQ30 - 8)
- 1 - Top Shelf 1 - Spacer Tool
- 1 - Bottom Shelf
- 4 - Rear Panels



Rear Panel Hardware

1x (400-070) - 1/8" Hex Key

16x
(300-510) - Stud

16x
(300-560) - Flat Nut

16x
(300-530) - ThumbNut



Limited Warranty

For five full years Salamander Designs Ltd. will repair or replace, at our option, any product defective in materials or craftsmanship. Salamander Designs Ltd. will not be responsible for any damage to or destruction of other equipment consequential to our equipment failure. Defective product must be given Return Authorization and is to be returned to the factory prepaid, in the original carton and packing material. Any damage incurred in a shipment not in original packaging shall be the responsibility of the owner. Warranty repairs will be returned prepaid, via UPS within the continental U.S.A. only.

Salamander Designs Ltd. 800-535-5659

www.SalamanderDesigns.com

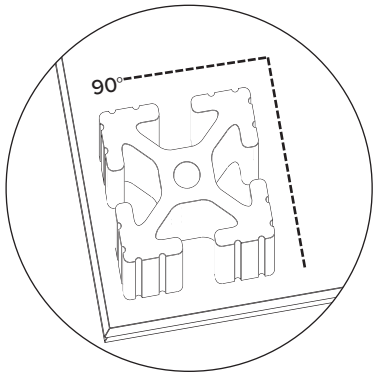
1 Connect Posts to Bottom Shelf



WARNING: Tighten by screwing the leveler foot NOT the post.

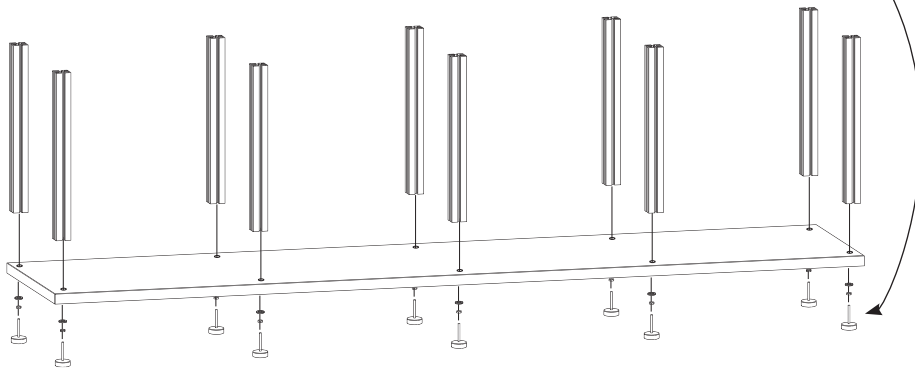
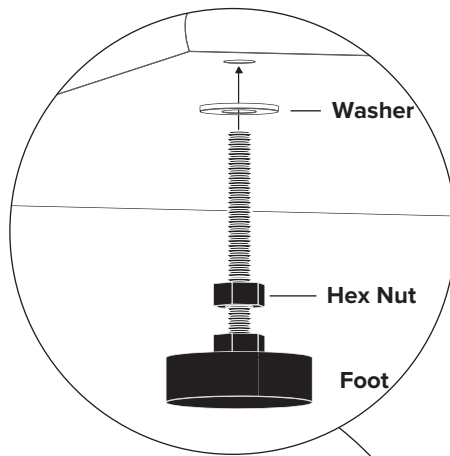
A. Square Post

Square the post to the bottom shelf.



B. Connect Post

Screw foot with metal washer through bottom shelf and onto the end of an extruded post. Hand tighten fully then use wrench on hex nut to tighten nut onto underside of shelf.



2 Add Shelves



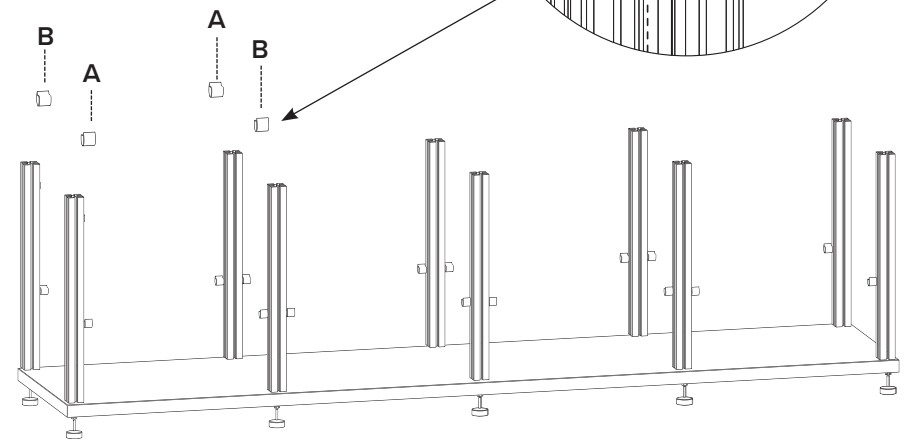
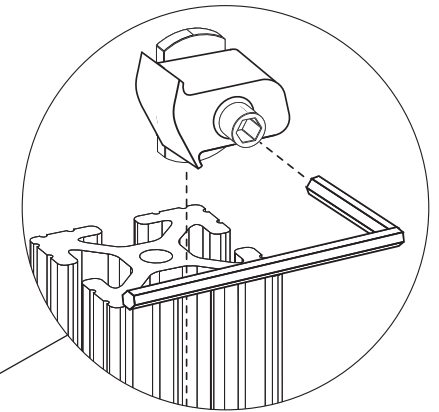
WARNING: If you are installing an optional door or drawer refer to specific instructions before proceeding.

A.

Insert shelf pegs down each post as shown.

B.

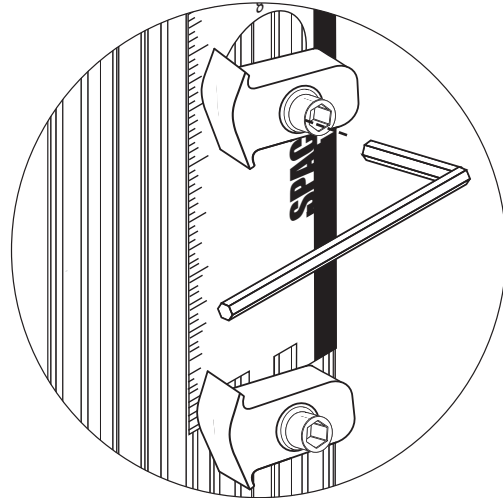
Use the Spacer Tool to adjust spacing between shelves. Position the peg through the Spacer and tighten. **Gently tighten pegs with the hex key to desired position.**



3 Adjust Shelf Pegs & Add Shelves

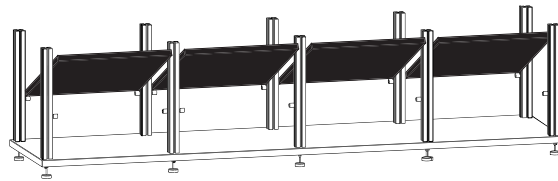
A. Adjusting Shelves

Insert peg down the post channel and position the peg through the Spacer and tighten. You may also consider using books or CD's for shelf spacing.



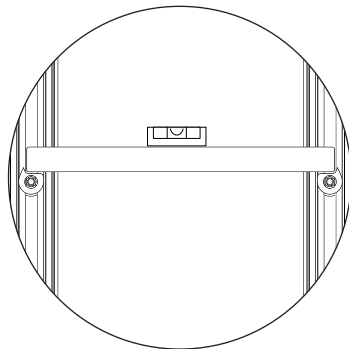
B. Placing Shelf

Place shelves from the bottom up. Angle the shelf in between the front post and set on top of shelf pegs and heavy duty brackets.



C. Fine Tuning

Use the bubble level to precisely adjust the shelves. Be sure to level both side to side as well as front to back. Use the hex key to tighten each peg.

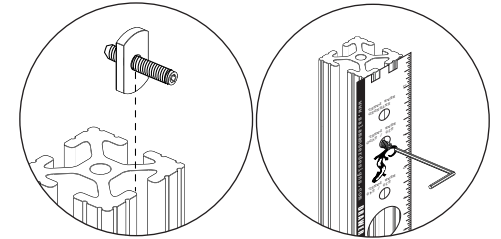


4 Attach Rear Panel & Top Shelf

A. Insert & Align Studs

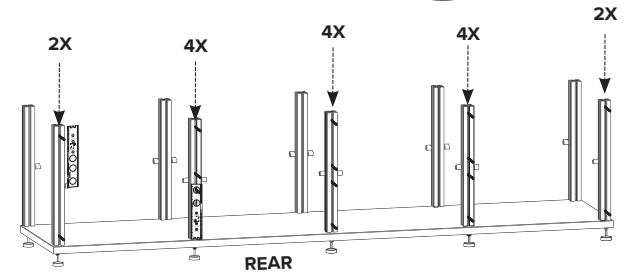
Combine the 1" threaded studs with the flat nuts. Slide hardware into rear posts.

Use the Spacer Tool to align top and bottom studs.



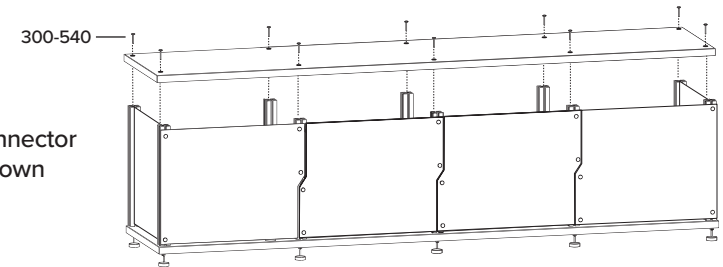
Side Panels

Before enclosing the unit with the top shelf install side panels (if applicable). See Side Panel Instructions



B. Install Top

Insert the top 8 connector bolts and tighten down top shelf.



C. Secure Rear Panel

Place panels and secure thumb nuts to finish rear panel installation.



TIP

To ease installation of rear panels first remove any drawers and/or doors and gently place the unit face down on the floor to improve aligning of panels.

