

HCBEXT5UC

**Box Canopy Chimney Hood Duct Extension Accessory Kit
500 Series - Stainless Steel**



Features and Benefits



Notes: All height, width and depth dimensions are shown in inches. *Please refer to installation instructions prior to making cutout. BSH reserves the absolute and unrestricted right to change product materials and specifications, at any time, without notice. Consult the product's installation instructions for final dimensional data and other details. Applicable product warranty can be found in a accompanying product literature or you may contact your account manager for further details.

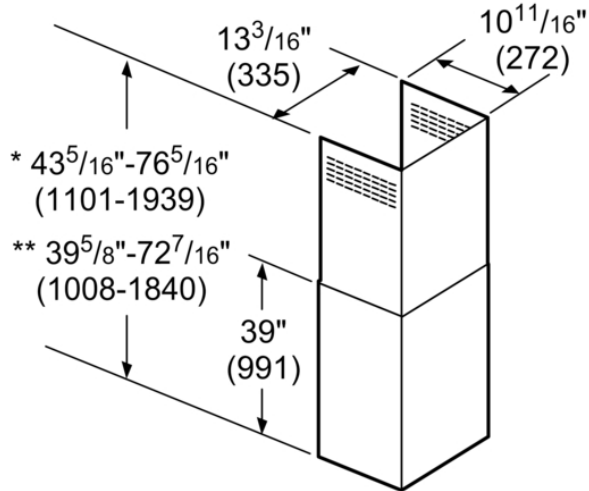
For more information on our entire line of products, go to boschappliances.com or call 1-800-944-2904.

Copyright ©2022 BSH Home Appliances Corporation. All rights reserved. Bosch is a registered trademark of Robert Bosch GmbH.

Litho Date: 10/2022

HCBEXT5UC

Box Canopy Chimney Hood Duct Extension Accessory Kit 500 Series - Stainless Steel



- * Recirculating installation
- ** Ducted installation

measurements in inches (mm)

Features

Product Description	
Brand	Accessory
Product name / series name	Bosch
SKU	HCBEXT5UC
Internal article number	00000000011002369
EAN code	4242002797847
Product packaging dimensions (HxWxD)	
Net weight	23.000
	26
Quantity per packing unit	
Standard number of units per pallet	
UPC code	825225909743
Product image	MCSA00682541_HCPEXT5UC_def.jpg

Technical Specification

Notes: All height, width and depth dimensions are shown in inches. *Please refer to installation instructions prior to making cutout. BSH reserves the absolute and unrestricted right to change product materials and specifications, at any time, without notice. Consult the product's installation instructions for final dimensional data and other details. Applicable product warranty can be found in a accompanying product literature or you may contact your account manager for further details.

For more information on our entire line of products, go to boschappliances.com or call 1-800-944-2904.
Copyright ©2022 BSH Home Appliances Corporation. All rights reserved. Bosch is a registered trademark of Robert Bosch GmbH.

Litho Date: 10/2022