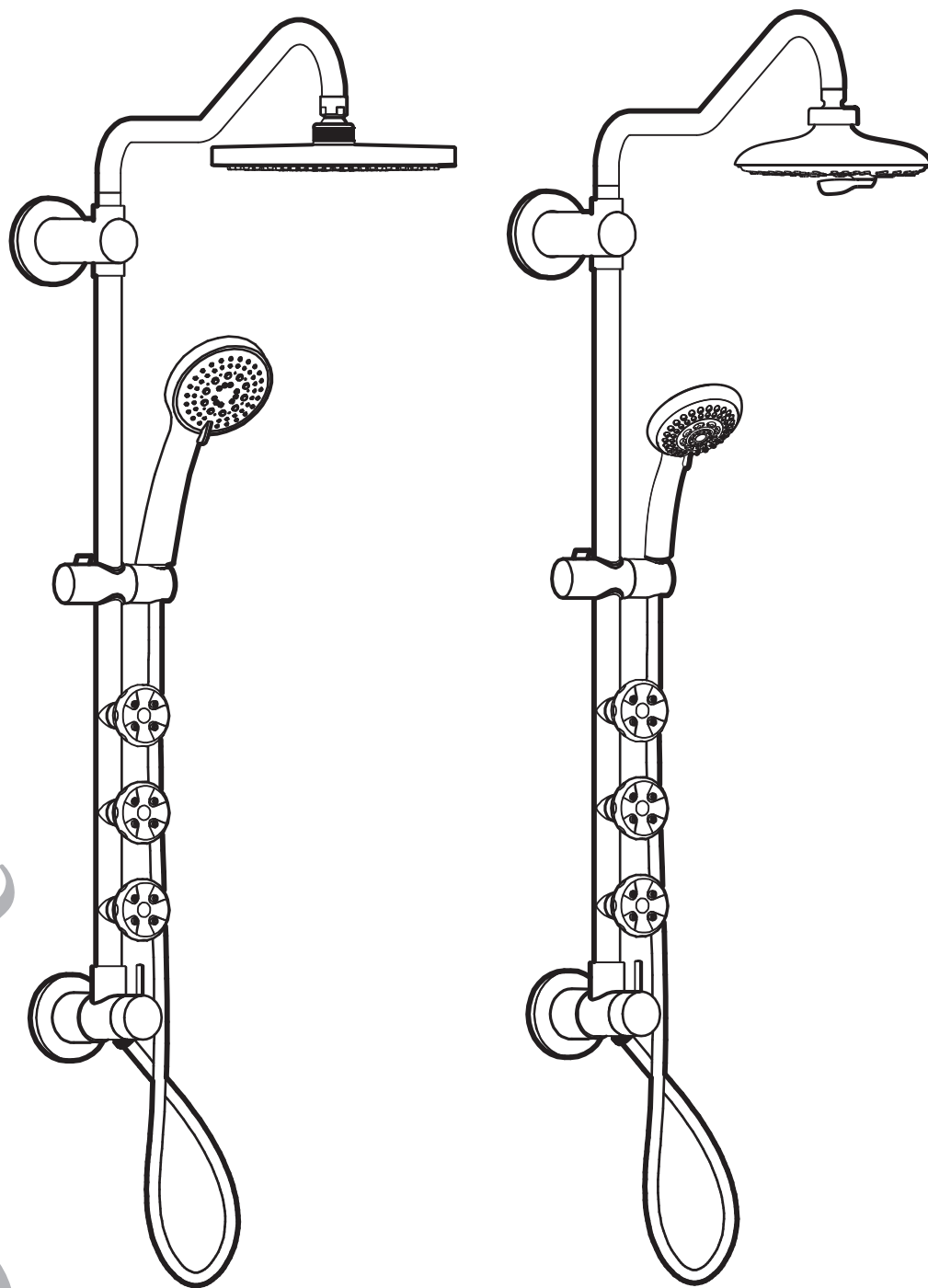


MANUAL
MANUEL

AcquaSPA



FORNIO
ACQUA[®]

SC31**_**

SC32**_**

TABLE OF CONTENTS

General.....	2	Operation.....	8
Tools Required.....	2	Trouble Shooting.....	8
Exploded Diagram.....	3	Care and Maintenance.....	8
Before You Begin.....	4	Spare Parts.....	9
Pre-Installation.....	5	Warranty.....	10
Installation.....	6	Customer Care.....	11
Final Installation.....	7	<i>MANUEL</i>	12

1. GENERAL

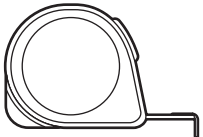
READ AND SAVE THESE INSTRUCTIONS

- Inspect this product before proceeding. Unpack the contents of the package and check the components for chips, scratches, cracks, dents or scuff marks. If any damage is noticed, do not install.
- Use this product only in the manner intended by the manufacturer. If you have any questions, contact the manufacturer.
- Installation work and plumbing must be done by qualified person(s) in accordance with all applicable codes and standards.
- Protect the entire surface during installation.

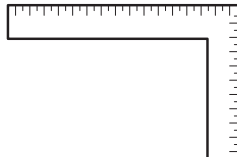


CAUTION: Always wear safety goggles and gloves during installation to prevent personal injury

2. TOOLS REQUIRED



Measuring tape



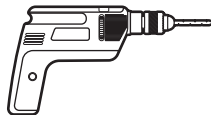
Carpenter's square



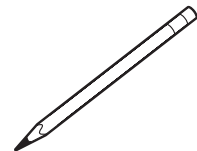
Wrenches



Phillips screwdriver



Electric Drill
with 1/4" Masonry
Drill Bit



Pencil



Safety gloves



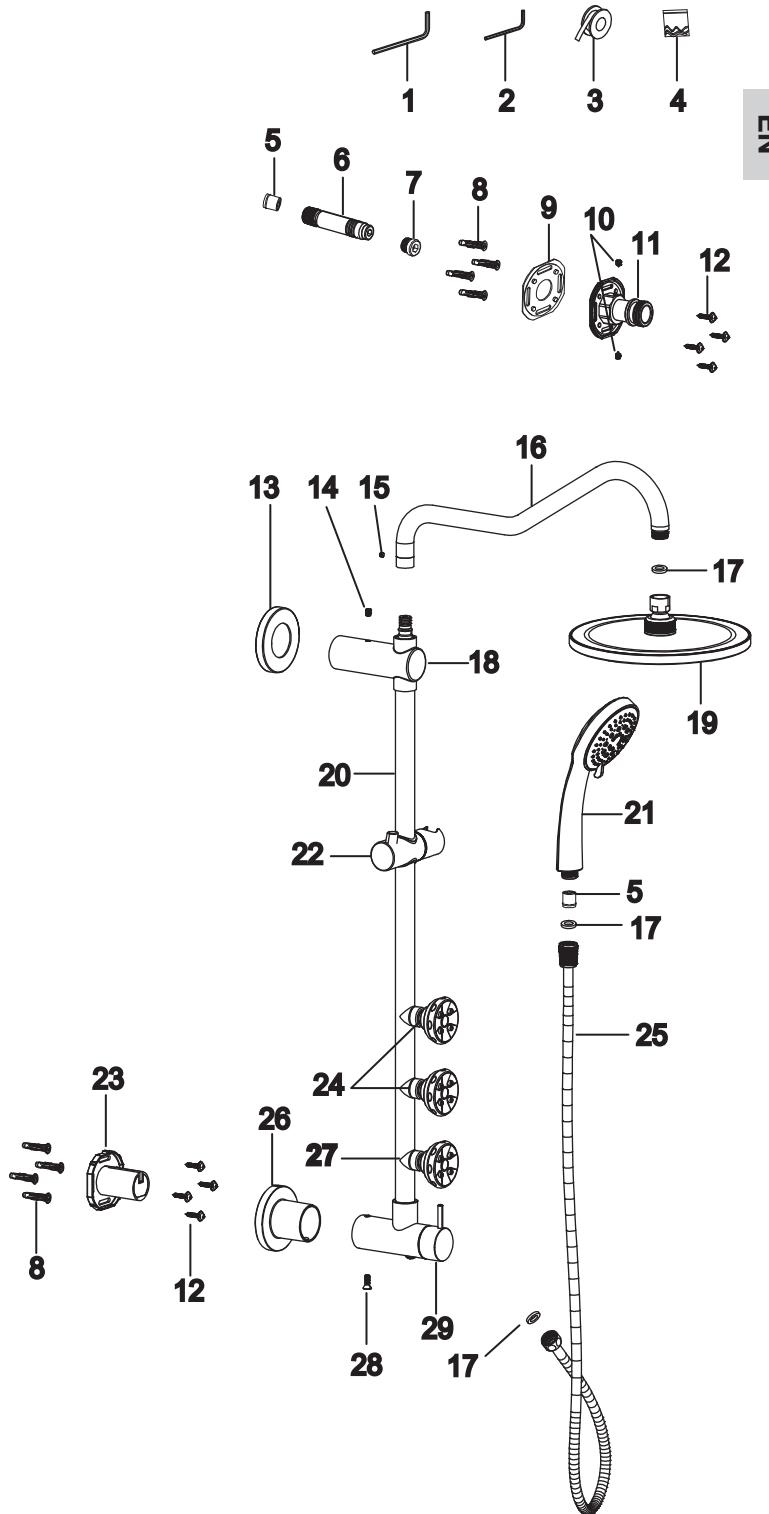
Safety goggles



Level

3. EXPLODED DIAGRAM

Part	Description	Qty
1	Large Hex Key	1
2	Small Hex Key with 2 Size Ends	1
3	Thread Seal Tape	1
4	Lube Sachet	1
5	Check Valve (Pre-installed)	2
6	Nipple	1
7	Flow Restrictor (Pre-installed)	1
8	Wall Anchors	8
9	Gasket	1
10	Set Screw M6 x 8	2
11	Inlet Fitting	1
12	Screws	8
13	Escutcheon	1
14	Set Screw M6 x 8	1
15	Set Screw M5 x 5	1
16	Shower Arm	1
17	Rubber Washer (1/2")	3
18	Top Distribution Fitting (Pre-installed)	1
19	Shower Head	1
20	Body Pipe	1
21	Handheld Shower Head	1
22	Adjustable Handheld Bracket	1
23	Mounting Bracket	1
24	Adjustable Jets with On/Off	2
25	Handheld Hose	1
26	Bracket Cover	1
27	Adjustable Jet without On/Off	1
28	Set Screw M5 x 12	1
29	Diverter	1



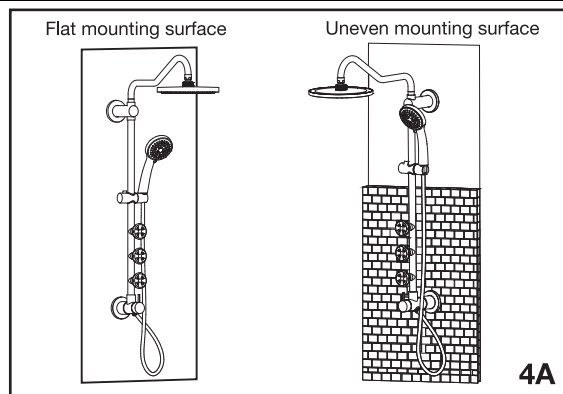
EN

If you find any part missing, please call: (866) 231 8893
 Or email us at: mysupport@fornoworld.com
 Please do not return this **AcquaSPA** to the store before calling

4. BEFORE YOU BEGIN

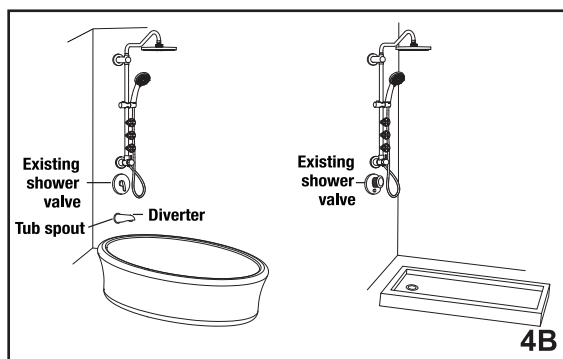
This product can be installed on both flat and uneven surfaces of up to 1-1/4" (32 mm), (see 4A)

This unit might not be suitable for installation with some fiberglass or acrylic showers.



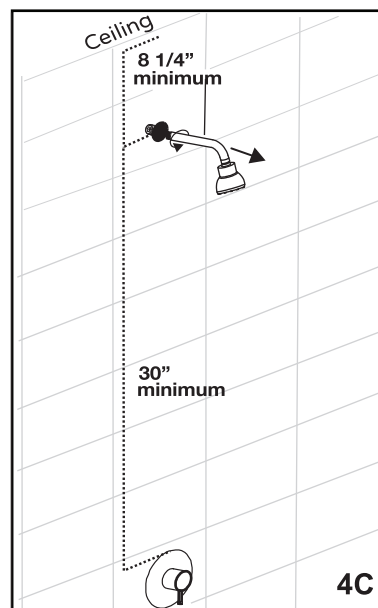
This product is designed to connect to your existing plumbing. There is no need to take out your current valve or change it.

Your shower valve, diverter valve or diverter tub spout will be used in its current position and will operate as before (see 4B).



Make sure the distance between your current shower arm and the ceiling is at least 8 1/4".

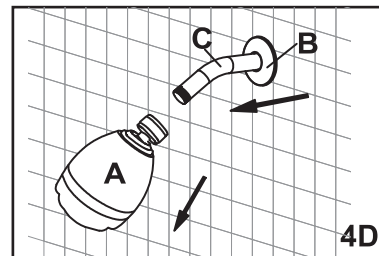
Make sure that the distance between your current shower arm and the top of the trim of your current mixing shower valve is at least 30" (see 4C).



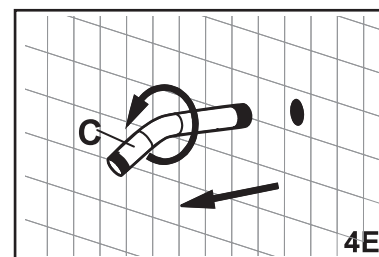
NOTE:

Make sure that your shower valve is closed at all times from now until the testing is required.

Disassemble your existing shower head (A) . Pull away from the wall cover (B) that is in the area where the shower arm (C) meets the wall (see 4D).



Remove your existing shower arm (C) from the wall using a wrench and turning it counter-clockwise (see 4E).



5. PRE-INSTALLTION

Put Thread Seal Tape (3) onto the threaded end of Nipple (6). Hand thread the nipple onto the fitting where the old shower arm was.

Tighten using the Large Hex key (1) (see 5A).

If the installed Nipple feels flimsy and unstable in the fitting, you will need to install the unit using the anchors and screws. Skip the next step.

If the installed Nipple feels firm and stable in the fitting, you may consider installing the unit without using the anchors and screws. Using Lube (4) lubricate Nipple (6) and thread Gasket (9) onto the Nipple.

Release Set Screws (10) from Inlet Fitting (11).

Push Inlet Fitting (11) all the way onto the Nipple and secure both Set Screws (10) (see 5B). Proceed to Section 6 INSTALLATION.

If you are using the anchors and screws.

Using Lube (4) lubricate Nipple (6).

Release Set Screws (10) from Inlet Fitting (11).

Push Inlet Fitting all the way onto the Nipple (6) and using a pencil mark the 4 holes on the wall. Take the Inlet Fitting out. Drill the 4 holes in the wall being careful not to go beyond the drywall (see 5C).

Place the Anchors (8) into the holes you drilled.

Thread the Gasket (9) onto the Nipple (6).

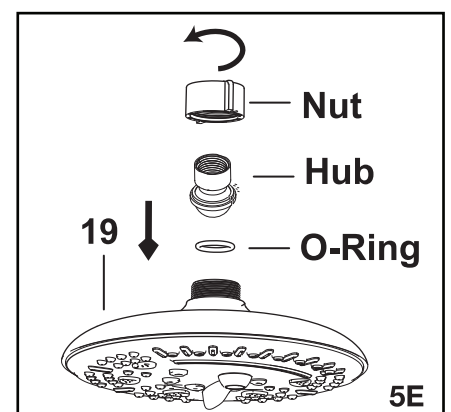
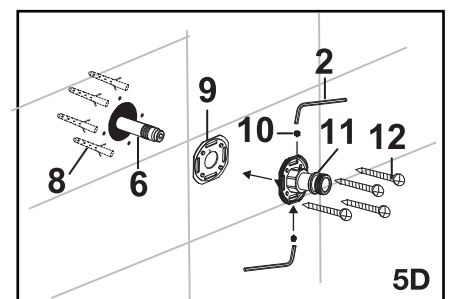
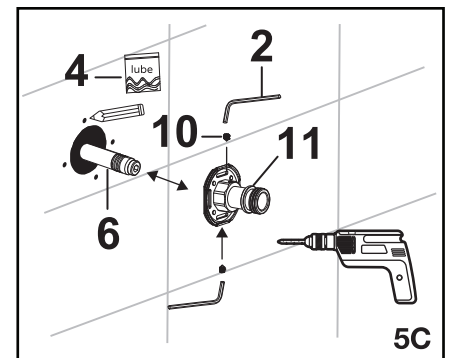
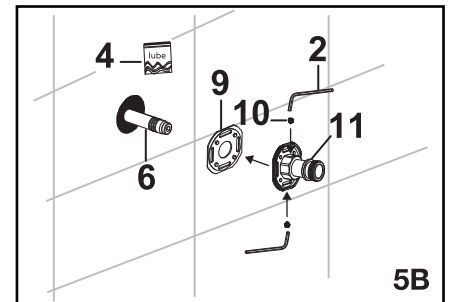
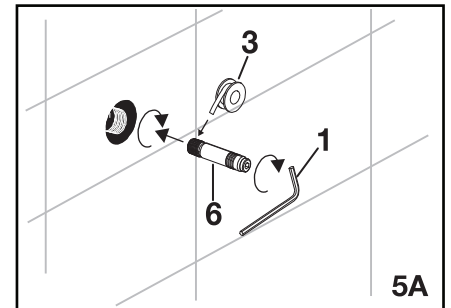
Push Inlet Fitting (11) all the way onto the Nipple (6) and secure the 4 Screws (12).

Tighten both Set Screws (10), (see 5D).

Proceed to Section 6 INSTALLATION.

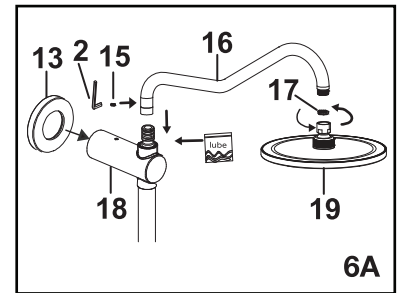
If you purchased a **AcquaSPA** with the Model number starting with SC32 you will need to pre-assemble the hub of Shower Head (19), (see 5E).

Place the O-Ring in the cavity of the Shower Head (19), place the Hub with the ball joint towards the O-Ring, thread the Nut through the Hub. Hand tighten the Nut clockwise.

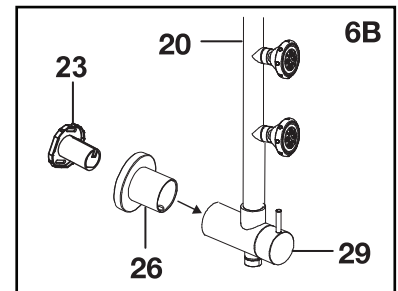


6. INSTALLTION

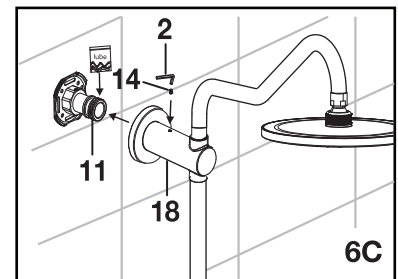
Attach Shower Head (19) onto Shower Arm (16) using Rubber Washer (17). Lubricate the hub on the Top Distribution Fitting (18). Slide the base of the Shower Arm (16) onto the hub and secure with Set Screw (15) using Hex Wrench (2) (see 6A). Insert Escutcheon (13) onto Top Distribution Fitting (18).



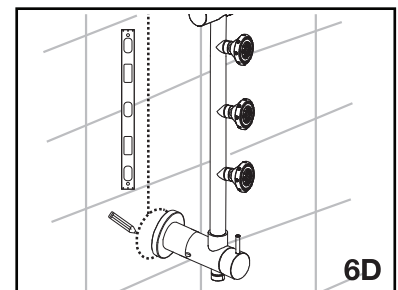
Slide Bracket Cover (26) onto the Diverter Hub at the bottom of the Body Pipe (20). Slide Mounting Bracket (23) into the Bracket Cover (26) (see 6B).



Lubricate the O-rings on Inlet Fitting (11). Disengage the Set Screw (14) using Hex Wrench (2). Slide the Top Distribution Fitting (18) onto the Inlet Fitting (11) (see 6C).



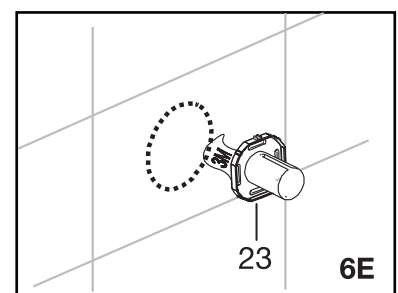
Using a Level make sure that your **AcquaSPA** is vertical (see 6D). Using a pencil mark around the Bracket Cover. Carefully slide your **AcquaSPA** out of the Inlet Fitting (11). Set aside.



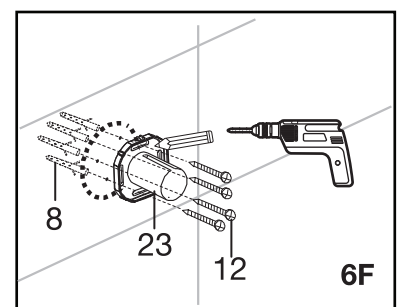
NOTE:

This Mounting Bracket can be secured to the wall with or without the use of screws. If using screws skip the next step.

If you prefer NOT to use wall screws to secure the Mounting Bracket (23) to the wall, simply peel the backing off the 3M double sided tape and secure it to the wall aligning it with the drawn layout and press firmly into the wall for 30 seconds (see 6E). Skip next step and go to Section 7 FINAL INSTALLATION.



If you'd like to use wall screws to secure Mounting Bracket (23), mark hole locations by centering the Mounting Bracket to the previously drawn layout. Mark the holes on the wall. Drill 1/4" holes in marked locations. Insert Wall Anchors (8). Peel off the backing of the Mounting Bracket (23) double sided tape and secure it to the wall with Screws (12) (see 6F).

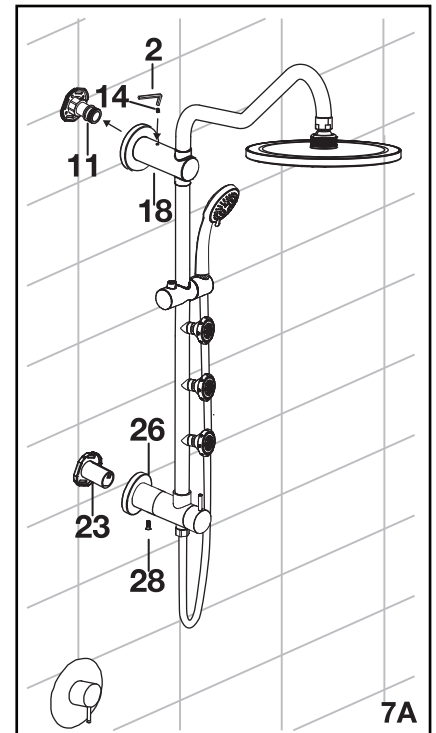


7. FINAL INSTALLATION

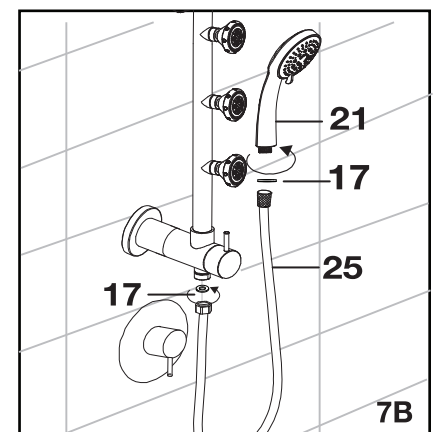
Slide the Top Distribution Fitting (18) onto the Inlet Fitting (11) (see 7A).

Slide diverter hub with Bracket Cover (28) onto the Mounting Bracket (23).

Holding your **AcquaSPA** in place secure using Set Screws (14) and (28).
Top and bottom should be tight against the wall.



Attach tapered end of the long Flexible shower hose (25) to the Handheld Shower (21) using Rubber washer (17), (see 7B). Attach hex end of the long Flexible shower hose (25) to the bottom of the diverter hub.

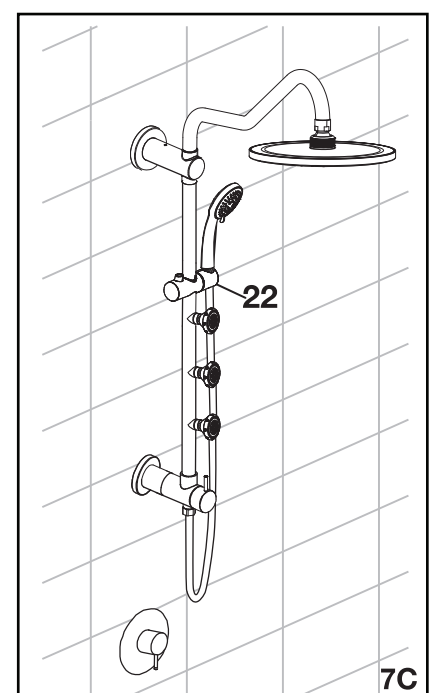


Place Handheld Shower (21) on the Adjustable Handheld Bracket (22).

You have successfully completed your installation.
Turn your shower mixing valve on and check for leaks.

NOTE:

Make sure that none of the hoses are kinked after installation. Check water connections for proper flow and leaks. Do not forget to use the rubber washers to prevent leaks from the connections.



8. OPERATION

To use the new **AcquaSPA** first turn on and adjust the temperature on the existing shower valve then redirect the water to your new **AcquaSPA** using the diverter (see 8A).

The face of the Handheld Shower (21) can be turned clockwise and anticlockwise to change between the different functions.

Use the Diverter (29) to choose between the showering options (see 8B):

Position a - Shower Head

Position b - Body Jets

Position c - Handheld Shower

Position d - Combines Shower Head and Body Jets

Position e - Combines Handheld and Body Jets

Position f - Combines Shower Head and Handheld

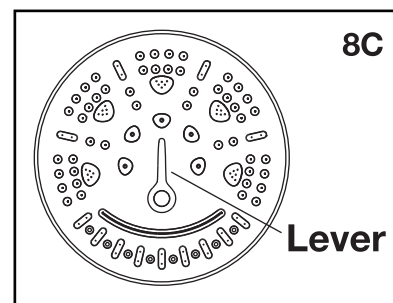
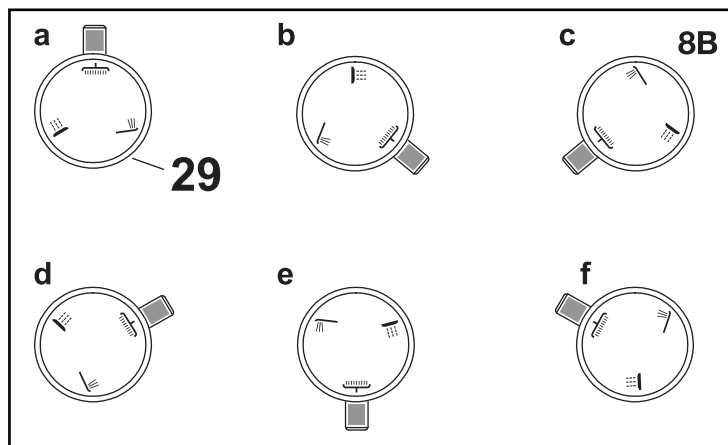
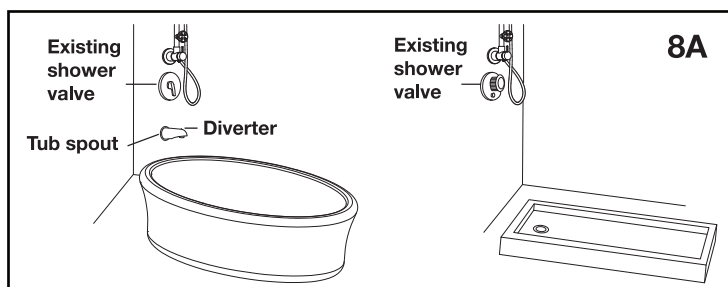
Use your existing shower valve to adjust water temperature and pressure.

NOTE:

The flow of the 2 top Jets (24) is fully adjustable by turning clockwise and anticlockwise. The flow of the bottom Jet (27) cannot be fully shut down to prevent backflow.

Units with Model Number Starting with SC32

Your **AcquaSPA** is equipped with a 6 function Shower Head. Just move the lever clockwise and anticlockwise to have access to the function you prefer (see 8C).



9. TROUBLESHOOTING

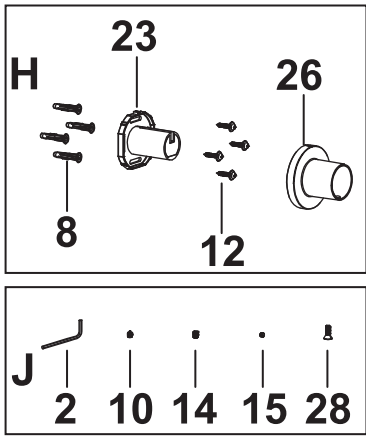
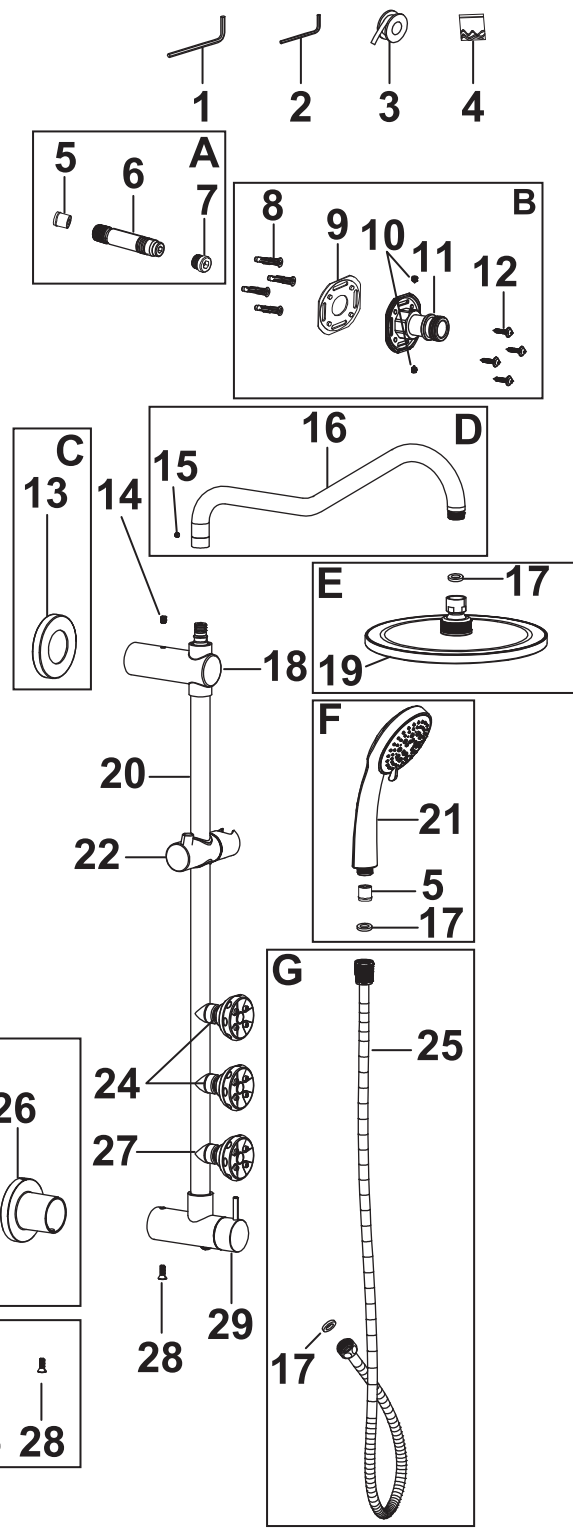
- If there are leaks, make sure that the Rubber Washers (17) are properly and securely installed.
- If there is no water flow, check if check valves (5) are installed correctly. If there is still no water flow, take your **AcquaSPA** off the wall and check if the Restrictor (7) is blocked with debris. Take the Restrictor off, clean with water and reinstall.
- If you find that water pressure or volume is low, clean the soft rubber tips of the Shower Head (19) and the Handheld (21) by rubbing with your fingers to loosen any mineral deposits.

10. CARE and MAINTENANCE

- After use, rinse the shower column with water using the handheld shower to remove any soap deposits. Should water spots occur, clean with a mild solution of vinegar and water followed by a thorough rinse.
- Use liquid soap, a general household cleaner, or a weak solution of vinegar and water for regular cleaning.
- Never use abrasive cleaners as they will scratch the finish.
- Clean every few months (depending on your water hardness) the soft rubber tips of the Shower Head (19) and the Handheld (21) by rubbing with your fingers to loosen any mineral deposits.

11. SPARE PARTS

Spare Kit No.	Spare Kit Code	Spare Kit Name	Parts Included	Part Name	Qty
N/A	N/A	N/A	1	Large Hex Key	1
N/A	N/A	N/A	2	Small Hex Key with 2 Size Ends	1
N/A	N/A	N/A	3	Thread Seal Tape	1
N/A	N/A	N/A	4	Lube Sachet	1
A	SC3-A	Nipple Kit	5	Check Valve (Pre-installed)	1
			6	Nipple	1
			7	Flow Restrictor (Pre-installed)	1
B	SC3-B	Inlet Kit	8	Wall Anchors	4
			9	Gasket	1
			10	Set Screw M6 x 8	2
			11	Inlet Fitting	1
			12	Screws	4
C	SC3-C-CP	Chrome Escutcheon	13	Escutcheon	1
	SC3-C-BN	Brushed Nickel			
	SC3-C-BK	Black			
N/A	N/A	N/A	14	Set Screw M6 x 8	1
D	SC3-D-CP	Chrome Shower Arm Kit	15	Set Screw M5 x 5	1
	SC3-D-BN	Brushed Nickel			
	SC3-D-BK	Black	16	Shower Arm	1
E for SC31*	SC31-E-CP	Chrome Shower Head Kit	17	Rubber Washer (1/2")	1
	SC31-E-BN	Brushed Nickel			
	SC31-E-BK	Black	19	Shower Head	1
E for SC32*	SC32-E-CP	Chrome Shower Head Kit	17	Rubber Washer (1/2")	1
	SC32-E-BN	Brushed Nickel			
	SC32-E-BK	Black	19	Shower Head	1
N/A	N/A	N/A	20	Body Pipe	1
F for SC31*	SC31-F-CP	Chrome Handheld Shower	21	Handheld Shower Head	1
	SC31-F-BN	Brushed Nickel			
	SC31-F-BK	Black			
F for SC32*	SC32-F-CP	Chrome Handheld Shower	21	Handheld Shower Head	1
	SC32-F-BN	Brushed Nickel			
	SC32-F-BK	Black			
N/A	N/A	N/A	5	Check Valve (Pre-installed)	1
			17	Rubber Washer (1/2")	1
			22	Adjustable Handheld Bracket	1
G	SC3-F-CP	Chrome Handheld Hose	25	Handheld Hose	1
	SC3-F-BN	Brushed Nickel			
	SC3-F-BK	Black			
H	SC3-H-CP	Chrome Bracket Kit	8	Wall Anchors	4
			12	Screws	4
			23	Mouting Bracket	1
			26	Bracket Cover	1
J	SC3-J	Set Screw Kit	2	Small Hex Key with 2 Size Ends	1
			10	Set Screw M6 x 8	2
			14	Set Screw M6 x 8	1
			15	Set Screw M5 x 5	1
			28	Set Screw M5 x 12	1



If you find any part missing please call: (866) 231 8893
 Or email us at: mysupport@fornoworld.com
 Please do not return this AcquaSPA to the store before calling

Warranty

CTM Maison Elite Inc. grants this limited warranty to the original purchaser of this AcquaSPA Panel from the date of purchase. Proof of purchase is required when requesting any warranty assistance.

Limited One Year: CTM Maison Elite Inc. warrants that all parts, to be free from defects in workmanship and material at the time of manufacture for a period of one year. We agree to send a replacement part without charge or at our option replace it with a comparable or superior part at our sole discretion.

To the extent permitted by law, CTM Maison Elite Inc. disclaims any and all warranties, including but not limited to those of merchantability and fitness for a particular purpose. There is no other express warranty. The duration of any implied warranty which cannot be disclaimed is limited to the period specified in the express warranty. Some states do not allow a limitation on how long an implied warranty lasts. The time limitation may not apply to you. Some states do not allow the exclusion of incidental or consequential damages, so the above limitation may not apply to you. This warranty gives specific legal rights. You may also have other rights which vary from state to state. The retailer shall not be liable for incidental, consequential, or damages arising out of or in connection with product use or performance except as may otherwise be accorded by law.

This limited warranty is non-transferable and only to the original purchaser of this AcquaSPA and will be void if unit is removed from its original installation.

This warranty does not cover: ordinary wear and tear, minor cosmetic blemishes, batteries, light bulbs, refurbished units, Shower Column that are not owned by the original purchaser, acts of God, changes in finish including rusting, pitting, corroding, tarnishing, or peeling.

Damage to any part by accident, misuse, abuse, improper installation, dents and/or scratches incurred during shipping, handling, or installation, bends or warping caused by forced connections, over-tightened fittings, and/or inadequate support during installation, improper care and maintenance, failure to follow the instructions in the enclosed manual or any modification to the unit are not covered by this warranty.

All costs of shipping parts, removing, repair labour and reinstalling the product are not covered by this warranty. Please do not ship your Shower Column or any parts to CTM Maison Elite Inc. Shipment will not be accepted.

This warranty supersedes all prior warranties.



ASME A112.18.1
CSA B125.1

Customer Care

Thank you for purchasing a FORNO ACQUA product. Please read the entire instruction manual before operating your new appliance for the first time. Whether you are an occasional user or an expert, it will be beneficial to familiarize yourself with the safety practices, features, operation and care recommendations of your appliance. Both the model number and serial number are listed on the product. For warranty purposes, you will also need the date of purchase. Record this information below for future reference.

SERVICE INFORMATION

Model Number

Use these numbers in any correspondence or service calls concerning your appliance.

Serial Number

If you received a damaged appliance, immediately contact the dealer (or builder) that sold you the appliance.

Date of Purchase

Purchase Address & Phone

Save time and money. Before you call for service, check the Troubleshooting Guide. It lists the causes of minor operating problems that you can correct yourself.

CUSTOMER SERVICE

Keep the instruction manual handy to answer your questions. If you don't understand something or you need more assistance, please call our Customer Service: 1-866-231-8893

Or email: mysupport@fornoworld.com

Our contact: CTM Maison Elite Inc.

11420 Albert Hudon, Montréal, Québec H1G 3J6, Canada

The instruction manual can be downloaded from www.fornoworld.com

Made in China

TABLE DES MATIÈRES

Généralités.....	12	Fonctionnement.....	18
Outils Requis.....	12	Dépannage.....	18
Schéma Éclaté.....	13	Entretien Et Maintenance.....	18
Avant De Commencer.....	14	Pièces De Rechange.....	19
Pré-Installation.....	15	Garantie.....	20
Installation.....	16	Carte D'Assistance À La Clientèle.....	21
Installation Finale.....	17		

1. GÉNÉRALITÉS

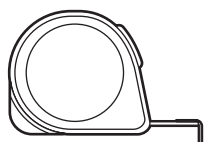
LISEZ ET CONSERVEZ CES INSTRUCTIONS

- Inspectez ce produit avant de continuer. Déballez le contenu du colis et vérifiez que les composants ne présentent pas d'éclats, de rayures, de fissures, de bosses ou d'éraflures. Si vous constatez des dommages, ne l'installez pas.
- Utilisez ce produit uniquement de la manière prévue par le fabricant. Si vous avez des questions, contactez le fabricant.
- Les travaux d'installation et de plomberie doivent être effectués par des personnes qualifiées. personne(s) conformément à tous les codes et normes applicables.
- Protéger toute la surface lors de l'installation.

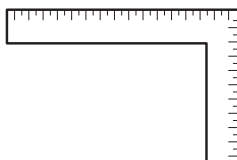


AVERTISSEMENT: Toujours porter des lunettes et des gants de sécurité pendant l'installation afin d'éviter les blessures.

2. OUTILS REQUIS



Ruban à mesurer



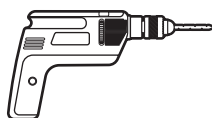
Équerre de charpentier



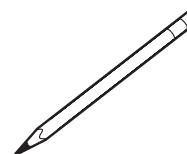
Clé



Tournevis Phillips



Perceuse électrique avec foret de 1/4 po (7mm)



Crayon



Gants de sécurité



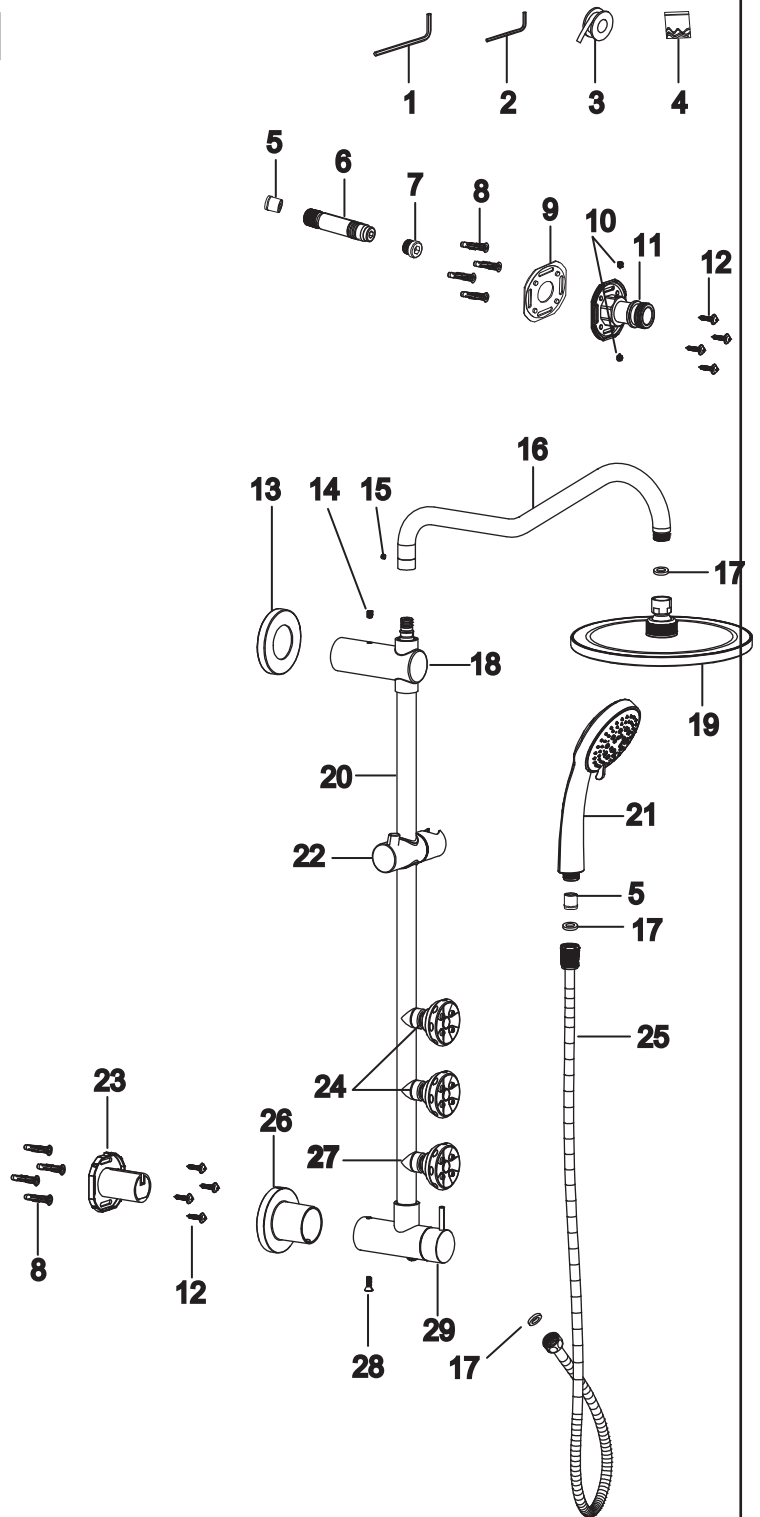
Lunettes de sécurité



Niveau

3. SCHÉMA ÉCLATÉ

Pièce	Description	Qté
1	Grande clé hexagonale	1
2	Petite clé hexagonale à 2 extrémités de tailles différentes	1
3	Ruban d'étanchéité pour joints filetés	1
4	Sachet de lubrifiant	1
5	Clapet de non-retour (Préinstallé)	2
6	Mamelon	1
7	Restricteur de débit (Préinstallé)	1
8	Ancrages muraux	8
9	Joint	1
10	Vis de réglage M6 x 8	2
11	Raccord d'admission	1
12	Vis	8
13	Rosace	1
14	Vis de réglage M6 x 8	1
15	Vis de réglage M5 x 5	1
16	Bras de douche	1
17	Rondelle en caoutchouc (1/2 po)	3
18	Raccord de distribution supérieur (Préinstallé)	1
19	Pomme de douche	1
20	Tube du corps	1
21	Douchette à main	1
22	Support réglable pour douchette à main	1
23	Support de montage	1
24	Jets réglables avec interrupteur marche/arrêt	2
25	Tuyau de douche flexible	1
26	Couvercle du support	1
27	Jets réglables sans interrupteur marche/arrêt	1
28	Vis de réglage M5 x 12	1
29	Déviateur	1



Si vous constatez qu'une pièce manque, veuillez appeler le :
(866) 231 8893

Ou envoyez-nous un e-mail à : mysupport@fornoworld.com
Veuillez ne pas retourner ce AcquaSPA au magasin avant
d'avoir appelé

4. AVANT DE COMMENCER

Ce produit peut être installé sur des surfaces planes et irrégulières, jusqu'à 1-1/4 po (32 mm) (voir 4A).

Cette unité peut ne pas convenir à l'installation avec certains douches en fibre de verre ou en acrylique.

Ce produit est conçu pour se connecter à votre plomberie existante. Il n'est pas nécessaire de retirer votre valve actuelle ou de la changer.

Votre robinet de douche, robinet de dérivation ou bec de baignoire de dérivation sera utilisé dans sa position actuelle et fonctionnera comme avant (voir 4B).

Assurez-vous que la distance entre votre bras de douche actuel et le plafond est d'au moins 8 1/4 po.

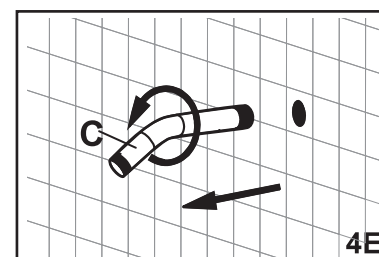
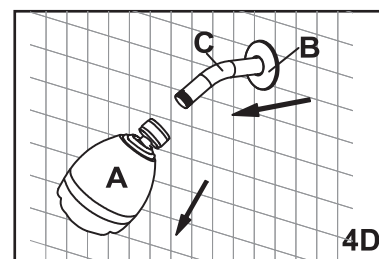
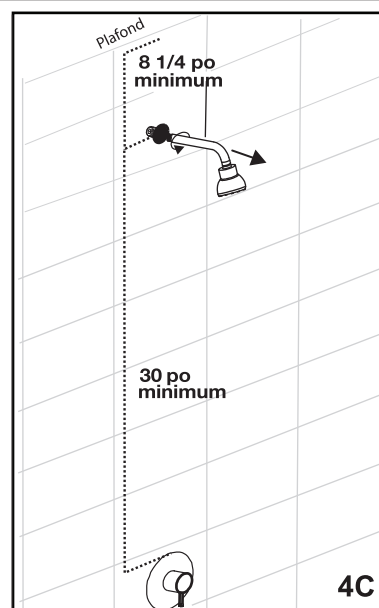
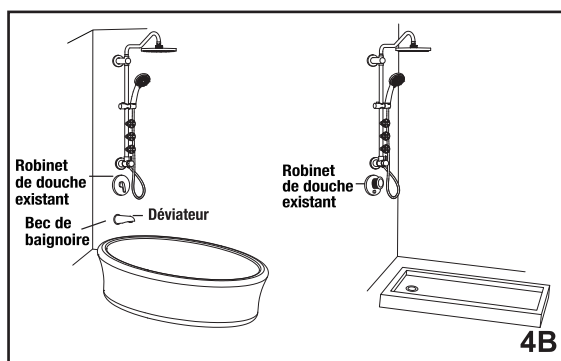
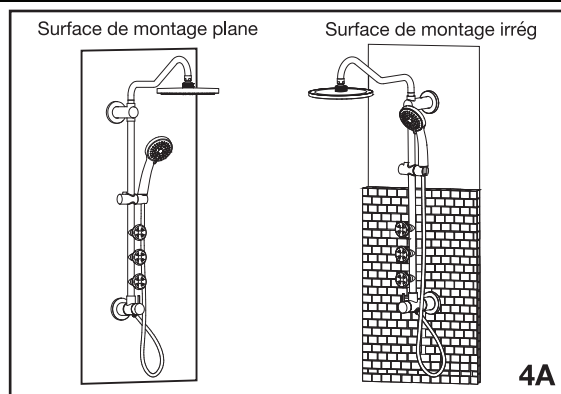
Assurez-vous que la distance entre votre bras de douche actuel et le haut de la garniture de votre robinet de douche mélangeur actuel est d'au moins 30 pouces (voir 4C).

NOTE:

Assurez-vous que votre robinet de douche est fermé en permanence à partir de maintenant jusqu'à ce que le test soit requis.

Démontez votre pommeau de douche existant (A). Retirez le couvercle mural (B) qui se trouve dans la zone où le bras de douche (C) rencontre le mur (voir 4D).

Retirez votre bras de douche existant (C) du mur à l'aide d'une clé et en le tournant dans le sens inverse des aiguilles d'une montre (voir 4E).



5. PRÉ-INSTALLTION

Placez le Ruban d'étanchéité pour joints filetage (3) sur l'extrémité fileté du Mamelon (6).

Vissez à la main le mamelon sur le raccord où se trouvait l'ancien bras de douche.

Serrez à l'aide de la grande Clé hexagonale (1) (voir 5A).

Si le Mamelon installé semble fragile et instable dans le raccord, vous devrez installer l'unité à l'aide des ancrages et des vis. Passer l'étape suivante.

Si le mamelon installé est ferme et stable dans le raccord, vous pouvez envisager d'installer l'unité sans utiliser les ancrages et les vis. À l'aide du Lubrifiant (4), lubrifiez le Mamelon (6) et vissez le Joint (9) sur le Mamelon.

Desserrez les Vis de réglage (10) du Raccord d'admission (11).

Poussez le Raccord d'admission (11) jusqu'au bout sur le mamelon et fixez les deux Vis de réglage (10) (voir 5B). Passez à la section 6.

INSTALLATION.

Si vous utilisez des ancrages et des vis.

À l'aide du Lubrifiant (4), lubrifiez le Mamelon (6).

Desserrez les Vis de réglage (10) du Raccord d'admission (11).

Poussez le Raccord d'admission (11) jusqu'au bout sur le Mamelon (6) et, à l'aide d'un crayon, marquez les 4 trous sur le mur. Retirez le Raccord d'entrée.

Percez les 4 trous dans le mur en prenant soin de ne pas dépasser la cloison sèche (voir 5C).

Placez les Ancrages (8) dans les trous que vous avez percés. Enfilez le Joint (9) sur le Mamelon (6).

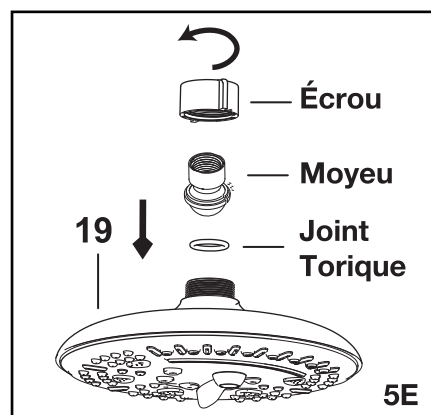
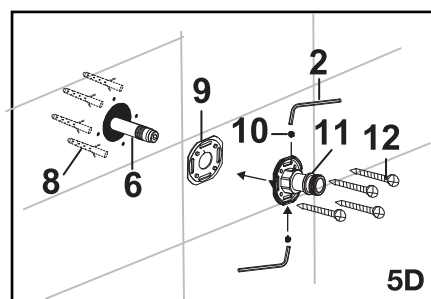
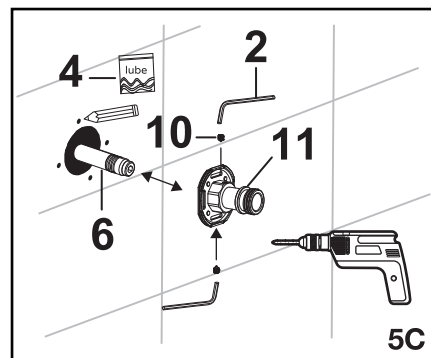
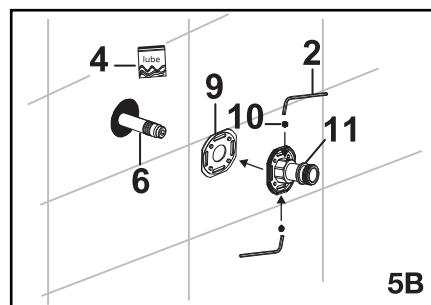
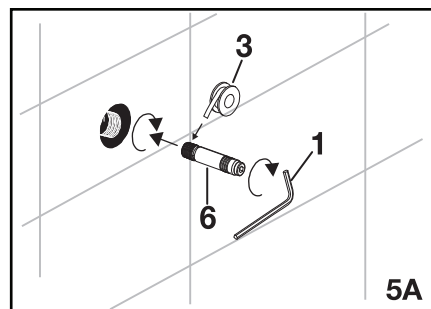
Poussez le Raccord d'admission (11) jusqu'au bout sur le Mamelon (6) et fixez les 4 Vis (12).

Serrez les deux Vis de réglage (10) (voir 5D).

Passez à la section 6. INSTALLATION.

Si vous avez acheté un **AcquaSPA** avec le numéro de modèle commençant par SC32, vous devrez pré-assembler le moyeu de la Pomme de douche (19) (voir 5E).

Placez le joint torique dans la cavité de la Pomme de douche (19), placez le Moyeu avec la rotule vers le Joint Torique, enfitez l'écrou à travers le Moyeu. Serrez l'écrou à la main dans le sens des aiguilles d'une montre.

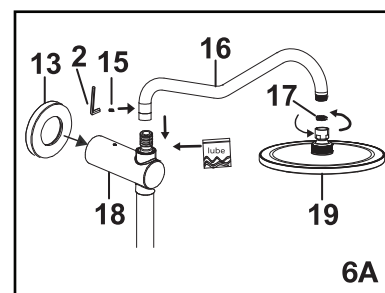


6. INSTALLTION

Fixez la Pomme de douche (19) sur le Bras de douche (16) à l'aide de la Rondelle en caoutchouc (17).

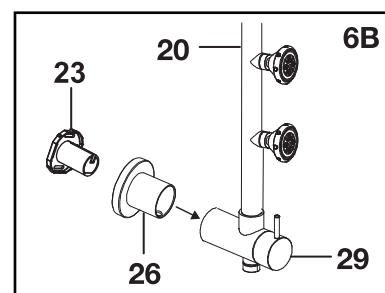
Lubrifiez le moyeu du Raccord de distribution supérieur (18). Faites glisser la base du Bras de douche (16) sur le moyeu et fixez-la avec la Vis de réglage (15) à l'aide de la Clé hexagonale (2) (voir 6A).

Insérez Rosace (13) sur le Raccord de distribution supérieur (18).



Faites glisser le Couvercle du support (26) sur le Moyeu de dérivation au bas du Tube du corps (20).

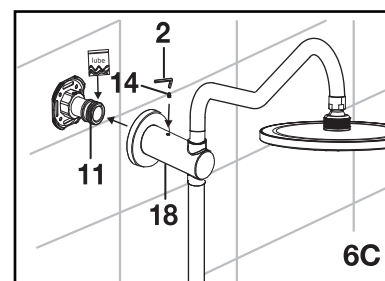
Faites glisser le Support de montage (23) dans le Couvercle du support (26) (voir 6B).



Lubrifiez les joints toriques sur le Raccord d'admission (11).

Dégagez la Vis de réglage (14) à l'aide de la Clé hexagonale (2).

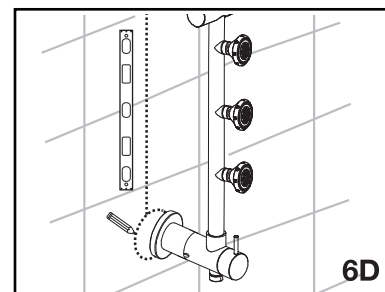
Faites glisser le Raccord de distribution supérieur (18) sur le Raccord d'admission (11) (voir 6C).



À l'aide d'un niveau, assurez-vous que votre **AcquaSPA** est vertical (voir 6D).

À l'aide d'un crayon, tracez une marque autour du Couvercle du support.

Faites glisser soigneusement votre **AcquaSPA** hors du Raccord d'admission (11). Annuler.

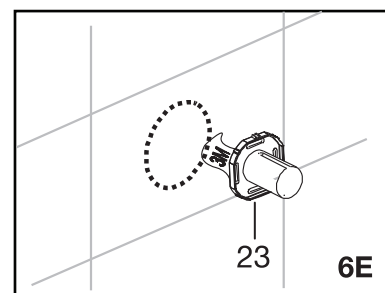


NOTE:

Ce support de montage peut être fixé au mur avec ou sans vis.

Si vous utilisez des vis, ignorez l'étape suivante.

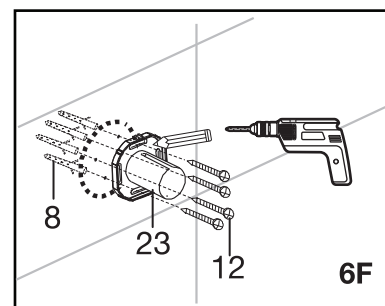
Si vous préférez NE PAS utiliser de vis murales pour fixer le Support de montage (23) au mur, décollez simplement le support du ruban adhésif double face 3M et fixez-le au mur en l'alignant avec le tracé dessiné et appuyez fermement sur le mur pendant 30 secondes (voir 6E). Sauter l'étape suivante et passez à la Section 7 INSTALLATION FINALE.



Si vous souhaitez utiliser des vis murales pour fixer le Support de montage (23), marquez l'emplacement des trous en centrant le support de montage sur la disposition précédemment dessinée.

Marquez les trous sur le mur. Percez des trous de 1/4 po aux emplacements marqués.

Insérer les Ancrages muraux (8). Décollez le Support de montage (23) du ruban adhésif double face et fixez-le au mur avec des Vis (12) (voir 6F).

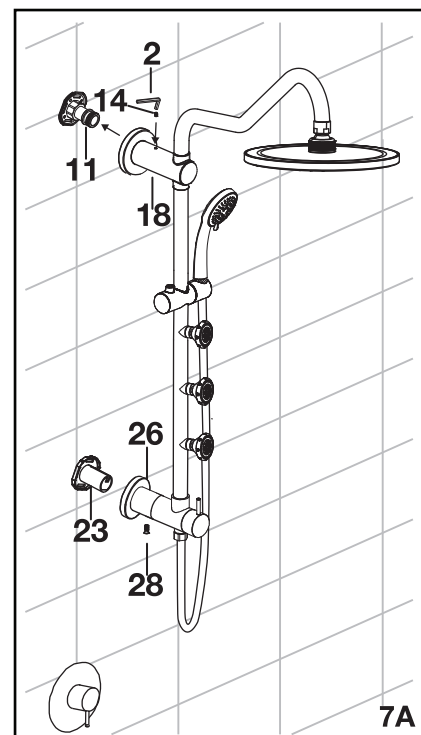


7. INSTALLATION FINALE

Faites glisser le Raccord de distribution supérieur (18) sur le Raccord d'admission (11) (voir 7A).

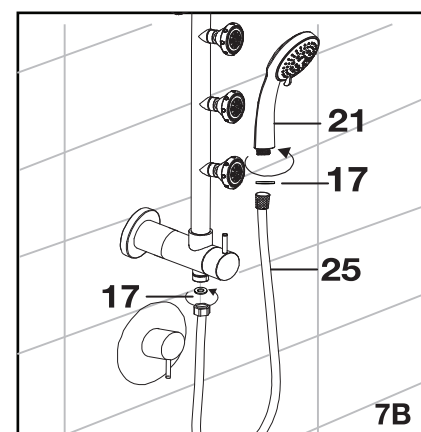
Faites glisser le moyeu de dérivation avec le Couvercle du support (28) sur le Support de montage (23).

Maintenez votre **AcquaSPA** en place en toute sécurité à l'aide des Vis de réglage (14) et (28).
Le haut et le bas doivent être bien serrés contre le mur.



Fixez l'extrémité conique du long Tuyau de douche flexible (25) à la Douchette à main (21) à l'aide de la Rondelle en caoutchouc (17) (voir 7B).

Fixez l'extrémité hexagonale du long Tuyau de douche flexible (25) au bas du moyeu du dérivateur.

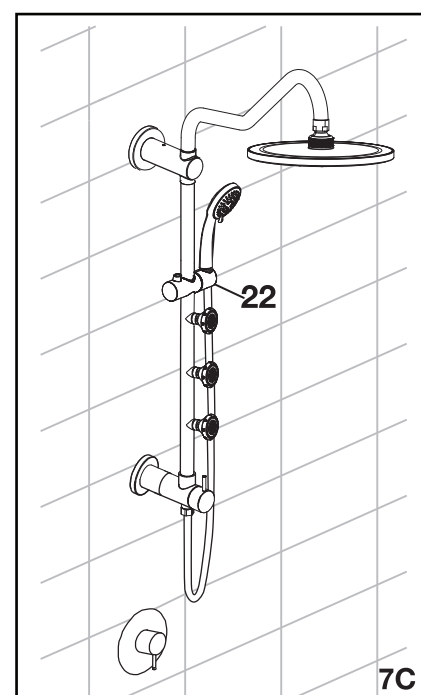


Placez la Douchette à main (21) sur le Support à main réglable (22).

Vous avez terminé votre installation avec succès.
Ouvrez le robinet de votre douche et vérifiez s'il y a des fuites.

NOTE:

Assurez-vous qu'aucun des tuyaux n'est plié après l'installation. Vérifiez les raccordements d'eau pour vous assurer qu'ils s'écoulent correctement et qu'il n'y a pas de fuites. N'oubliez pas d'utiliser les rondelles en caoutchouc pour éviter les fuites au niveau des raccords.



8. FONCTIONNEMENT

Pour utiliser le nouveau **AcquaSPA**, allumez d'abord et réglez la température sur la vanne de douche existante, puis redirigez l'eau vers votre nouveau **AcquaSPA** à l'aide du déviateur (voir 8A).

La face de la Douchette à main (21) peut être tournée dans le sens des aiguilles d'une montre et dans le sens inverse des aiguilles d'une montre pour changer entre les différentes fonctions.

Utilisez le Déviateur (29) pour choisir entre les options de douche (voir 8B) :

Position a - Pomme de douche

Position b - Jets corporels

Position c - Douchette à main

Position d - Combine une Pomme de douche et des Jets corporels

Position e - Combine une Douchette à main et des Jets corporels

Position f - Combine une Pomme de douche et une Douchette à main

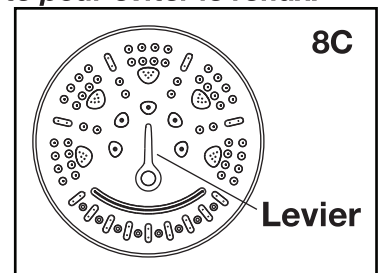
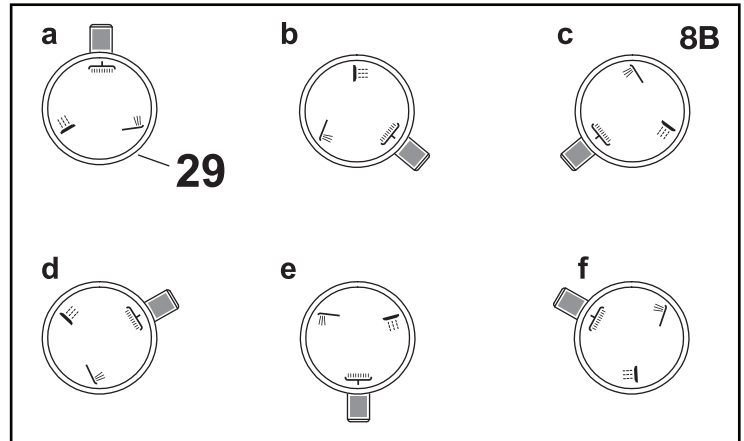
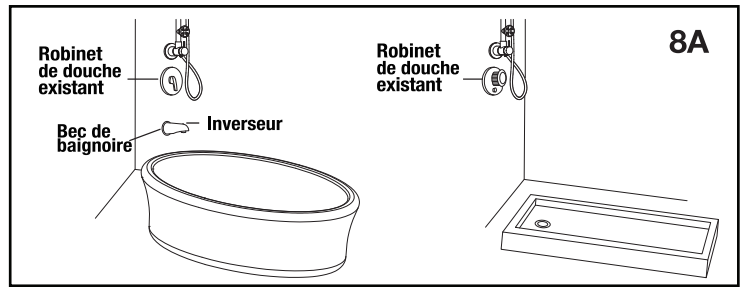
Utilisez votre robinet de douche existant pour régler la température et la pression de l'eau.

NOTE:

Le débit des 2 jets supérieurs (24) est entièrement réglable en tournant dans le sens horaire et antihoraire. Le débit du jet inférieur (27) ne peut pas être complètement arrêté pour éviter le reflux.

Unités dont le numéro de modèle commence par SC32

Votre **AcquaSPA** est équipé d'un Pomme de douche à 6 fonctions. Il suffit de déplacer le levier dans le sens horaire et antihoraire pour avoir accès à la fonction que vous préférez (voir 8C).



9. DÉPANNAGE

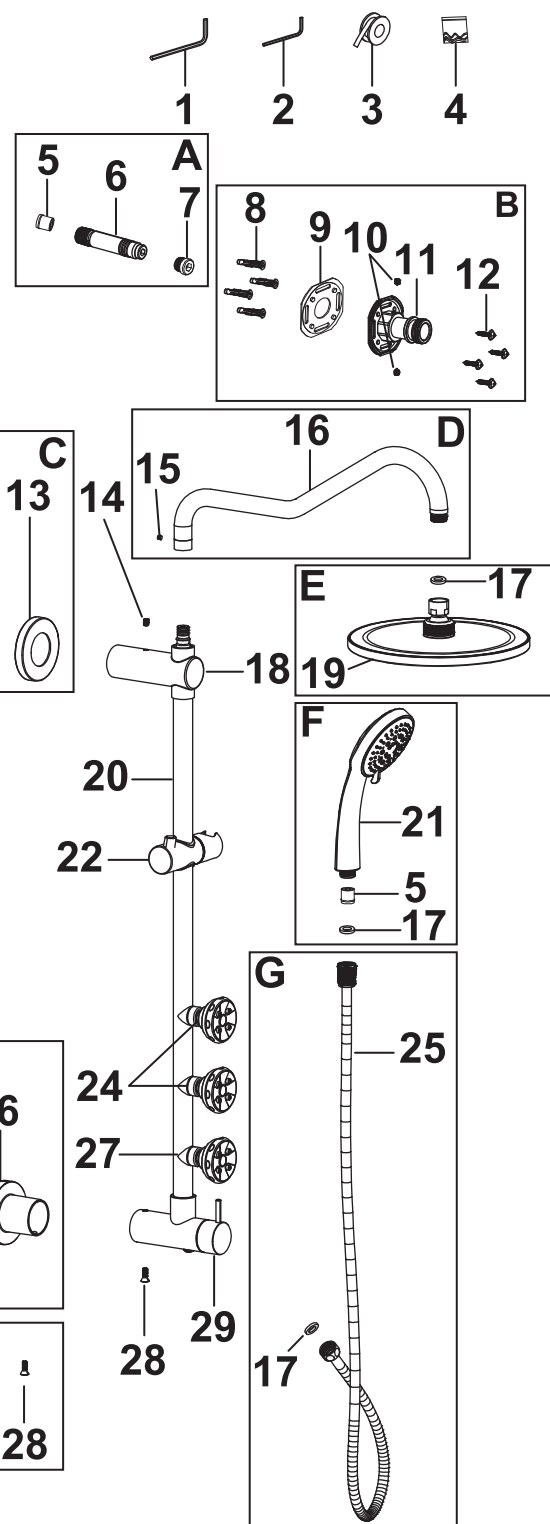
- En cas de fuites, assurez-vous que les rondelles en caoutchouc (17) sont correctement et solidement installées.
- S'il n'y a pas de débit d'eau, vérifiez si les clapets anti-retour (5) sont correctement installés. S'il n'y a toujours pas de débit d'eau, retirez votre **AcquaSPA** du mur et vérifiez si le restricteur (7) est bloqué par des débris. Retirez le restricteur, nettoyez-le à l'eau et réinstallez-le.
- Si vous constatez que la pression ou le volume de l'eau est faible, nettoyez les embouts en caoutchouc souple du Pomme de douche (19) et de la Douchette à main (21) en les frottant avec vos doigts pour détacher les dépôts minéraux.

10. ENTRETIEN ET MAINTENANCE

- Après utilisation, rincez votre **AcquaSPA** avec de l'eau en utilisant la douchette pour enlever tout dépôt de savon. Si des taches d'eau apparaissent, nettoyez-les avec une solution douce de vinaigre et d'eau, suivie d'un rinçage complet.
- Utilisez du savon liquide, un nettoyant ménager général ou une solution faible de vinaigre et d'eau pour un nettoyage régulier.
- N'utilisez jamais de nettoyants abrasifs car ils rayeraient la finition.
- Nettoyez tous les quelques mois (selon la dureté de votre eau) les embouts en caoutchouc souple du Pomme de douche (19) et de la Douchette (21) en les frottant avec vos doigts pour décoller les éventuels dépôts minéraux.

11. PIÈCES DE RECHANGE

N° de kit de rechange	Code du kit de rechange	Nom du kit de rechange	Pièces Incluses	Nom de la Pièce	Qté			
N/A	N/A	N/A	1	Grande clé hexagonale	1			
N/A	N/A	N/A	2	Petite clé hexagonale à 2 extrémités de tailles différentes	1			
N/A	N/A	N/A	3	Ruban d'étanchéité pour joints filetés	1			
N/A	N/A	N/A	4	Sachet de lubrifiant	1			
A	SC3-A	Kit de mamelon	5	Clapet de non-retour (Préinstallé)	1			
			6	Mamelon	1			
			7	Restricteur de débit (Préinstallé)	1			
B	SC3-B	Kit d'admission	8	Ancrages muraux	4			
			9	Joint	1			
			10	Vis de réglage M6 x 8	2			
			11	Raccord d'admission	1			
			12	Vis de réglage M6 x 8	4			
C	SC3-C-CP SC3-C-BN SC3-C-BK	Rosace chromée Nickel brossé Noir	13	Rosace	1			
			N/A	N/A	N/A	14	Vis de réglage M6 x 8	1
			D	SC3-D-CP SC3-D-BN SC3-D-BK	Kit de bras de douche chromé Nickel brossé Noir	15	Vis de réglage M5 x 5	1
16	Bras de douche	1						
E for SC31*	SC31-E-CP SC31-E-BN SC31-E-BK	Kit de pomme de douche chromé Nickel brossé Noir				17	Rondelle en caoutchouc (1/2 po)	1
			19	Pomme de douche	1			
			E for SC32*	SC32-E-CP SC32-E-BN SC32-E-BK	Kit de pomme de douche chromé Nickel brossé Noir	17	Rondelle en caoutchouc (1/2 po)	1
19	Pomme de douche	1						
N/A	N/A	N/A				20	Tube du corps	1
F for SC31*	SC31-F-CP SC31-F-BN SC31-F-BK	Douchette à main en chromé Nickel brossé Noir	21	Douche téléphone	1			
			5	Clapet de non-retour (Préinstallé)	1			
			17	Rondelle en caoutchouc (1/2 po)	1			
F for SC32*	SC32-F-CP SC32-F-BN SC32-F-BK	Douchette à main en chromé Nickel brossé Noir	21	Douche téléphone	1			
			5	Clapet de non-retour (Préinstallé)	1			
			17	Rondelle en caoutchouc (1/2 po)	1			
N/A	N/A	N/A	22	Support réglable pour douchette à main	1			
G	SC3-F-CP SC3-F-BN SC3-F-BK	Tuyau flexible chromé Nickel brossé Noir	25	Tuyau de douche flexible	1			
			17	Rondelle en caoutchouc (1/2 po)	1			
			H	SC3-H-CP SC3-H-BN SC3-H-BK	Kit de support chromé Nickel brossé Noir	8	Ancrages muraux	4
12	Vis	4						
23	Support de montage	1						
26	Couvercle du support	1						
J	SC3-J	Kit de vis de réglage	2	Petite clé hexagonale à 2 extrémités de tailles différentes	1			
			10	Vis de réglage M6 x 8	2			
			14	Vis de réglage M6 x 8	1			
			15	Vis de réglage M5 x 5	1			
			28	Vis de réglage M5 x 12	1			



Si vous constatez qu'une pièce manque, veuillez appeler le :
(866) 231 8893

Ou envoyez-nous un e-mail à : mysupport@fornoworld.com

Veillez ne pas retourner ce AcquaSPA au magasin avant d'avoir appelé

Garantie

CTM Maison Elite Inc. accorde cette garantie limitée à l'acheteur original de ce **AcquaSPA** à compter de la date d'achat. Une preuve d'achat est requise lors de toute demande d'assistance au titre de la garantie.

Limité à un an : CTM Maison Elite Inc. garantit que toutes les pièces sont exemptes de défauts de fabrication et de matériaux au moment de la fabrication pendant une période d'un an. Nous acceptons d'envoyer une pièce de rechange sans frais ou, à notre choix, de la remplacer par une pièce comparable ou supérieure à notre seule discrétion.

Dans la mesure permise par la loi, CTM Maison Elite Inc. décline toute garantie, y compris, mais sans s'y limiter, celles de qualité marchande et d'adéquation à un usage particulier. Il n'existe aucune autre garantie expresse. La durée de toute garantie implicite qui ne peut être refusée est limitée à la période spécifiée dans la garantie expresse. Certains États n'autorisent pas de limitation de la durée d'une garantie implicite. Il se peut que la limitation de temps ne s'applique pas à vous. Certains États n'autorisent pas l'exclusion des dommages accessoires ou consécutifs, de sorte que la limitation ci-dessus peut ne pas s'appliquer à vous. Cette garantie confère des droits légaux spécifiques. Vous pouvez également bénéficier d'autres droits qui varient d'un État à l'autre. Le détaillant ne sera pas responsable des dommages accessoires, consécutifs ou autres découlant de l'utilisation ou des performances du produit, sauf disposition contraire de la loi.

Cette garantie limitée n'est pas transférable et ne s'applique qu'à l'acheteur original de cet **AcquaSPA**. Elle sera annulée si l'unité est retirée de son installation d'origine.

Cette garantie ne couvre pas : l'usure normale, les petites imperfections esthétiques, les piles, les ampoules, les unités remises à neuf, les colonnes de douche qui n'appartiennent pas à l'acheteur d'origine, les cas de force majeure, les changements de finition, y compris la rouille, les piqûres, la corrosion, le ternissement ou l'écaillage.

Les dommages causés à une pièce par un accident, une mauvaise utilisation, un abus, une installation incorrecte, les bosses et/ou les rayures survenues pendant l'expédition, la manutention ou l'installation, les courbures ou les déformations causées par des raccords forcés, des raccords trop serrés et/ou un support inadéquat pendant l'installation, un entretien et une maintenance incorrects, le non-respect des instructions du manuel joint ou toute modification de l'unité ne sont pas couverts par la présente garantie.

Tous les frais d'expédition des pièces, de démontage, de réparation et de réinstallation du produit ne sont pas couverts par cette garantie. Veuillez ne pas expédier votre colonne de douche ou toute autre pièce à CTM Maison Elite Inc. L'envoi ne sera pas accepté.

Cette garantie remplace toutes les garanties antérieures.



ASME A112.18.1
CSA B125.1

Service Clientèle

Nous vous remercions d'avoir acheté un produit FORNO ACQUA. Veuillez lire l'intégralité du manuel d'instructions avant d'utiliser votre nouvel appareil pour la première fois. Que vous soyez un utilisateur occasionnel ou un expert, il vous sera utile de vous familiariser avec les pratiques de sécurité, les caractéristiques, le fonctionnement et les recommandations d'entretien de votre appareil. Le numéro de modèle et le numéro de série sont indiqués sur l'appareil. Pour les besoins de la garantie, vous aurez également besoin de la date d'achat. Notez ces informations ci-dessous pour référence ultérieure. Notez ces informations ci-dessous pour référence ultérieure.

INFORMATIONS SUR LE PRODUIT

Numéro de modèle

Utilisez ces numéros dans toute correspondance ou appel de service concernant votre appareil.

Numéro de série

Si vous avez reçu un appareil endommagé, contactez immédiatement le revendeur (ou le constructeur) qui vous a vendu l'appareil.

Date d'achat

Adresse et téléphone de l'acheteur

Gagnez du temps et de l'argent. Avant de faire appel au service après-vente, consultez le guide de dépannage. Il répertorie les causes des problèmes mineurs de fonctionnement que vous pouvez corriger vous-même.

SERVICE CLIENTÈLE :

Gardez le manuel d'instructions à portée de main pour répondre à vos questions. Si vous ne comprenez pas quelque chose ou si vous avez besoin d'aide, veuillez appeler notre service clientèle : 1-866-231-8893

ou envoyez un courriel: mysupport@fornoworld.com

Notre contact: CTM Maison Elite Inc.

11420 Albert Hudon, Montréal, Québec H1G 3J6, Canada

Le manuel d'utilisation peut être téléchargé à partir du site www.fornoworld.com

CTM Maison Elite Inc.

11420 Albert Hudon, Montréal, Québec H1G 3J6, Canada
1-866-231-8893 • info@CTMMaisonElite.com • CTMMaisonElite.com