

# NA36R5310F

SAMSUNG

## 36" Gas Cooktop



### Signature Features

#### Powerful Burners

- Powerful burners have the flexibility to accommodate a number of dishes at once.

#### Front Controls

- Front Controls are easy to reach.

#### Continuous Cast Iron Grates

- Continuous Cast Iron Grates provide a sleek and smooth design.

### Available Colors



Stainless Steel (shown)



Fingerprint Resistant  
Black Stainless Steel



Front Controls



Continuous Cast Iron Grates

### Features

- Powerful Cooktop
  - Right Front: 13K BTU
  - Left Front: 10K BTU
  - Right Rear: 5K BTU (Simmer)
  - Left Rear: 10K BTU
  - Center: 17K BTU (Power Burner)
- Cast Iron 3-Piece Grates
- Sealed Burners
- ADA Compliant

### Convenience

- LP Conversion Kit



ADA Compliant

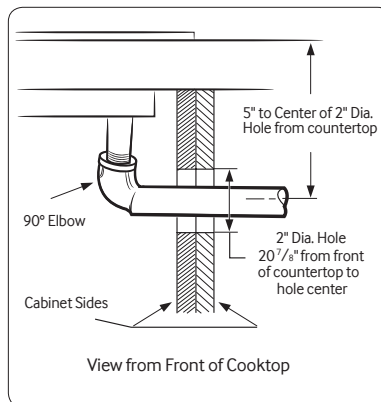
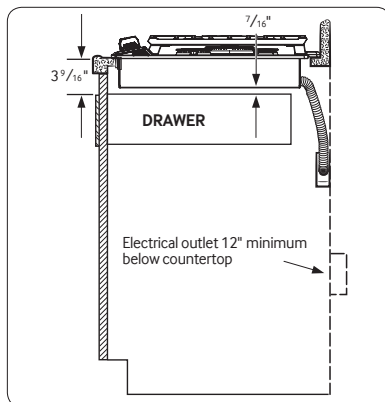
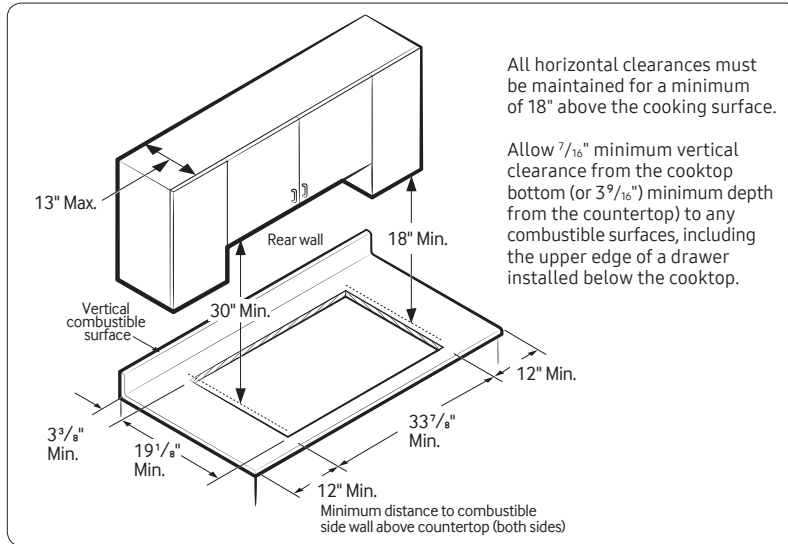
# NA36R5310F

**SAMSUNG**

## 36" Gas Cooktop

### Installation Requirements

Countertop cut-out and minimum clearance dimensions:



### Total Power (BTU)

55K

### Power Source

120V / 60 Hz / 1A

### Gas Cooktop (BTU)

- Right Front: 13K
- Left Front: 10K
- Right Rear: 5K (Simmer)
- Left Rear: 10K
- Center: 17K (Power Burner)

### Warranty

One (1) Year All Parts and Labor

### Product Dimensions & Weight (WxHxD)

Outside (Max) Cooktop Dimensions: 36" x 5 $\frac{11}{16}$ " x 21"

Cooktop Cut-Out Dimensions: 33 $\frac{7}{8}$ " x 3 $\frac{1}{8}$ " x 19 $\frac{1}{8}$ "

Weight: 66.5 lbs (Stainless Steel)

66.9 lbs (Fingerprint Resistant

Black Stainless Steel)

### Shipping Dimensions & Weight (WxHxD)

Dimensions: 40 $\frac{9}{16}$ " x 10 $\frac{5}{8}$ " x 25 $\frac{5}{8}$ "

Weight: 78.9 lbs

### Color

Stainless Steel

Fingerprint Resistant

Black Stainless Steel

### Model #

NA36R5310FS/AA

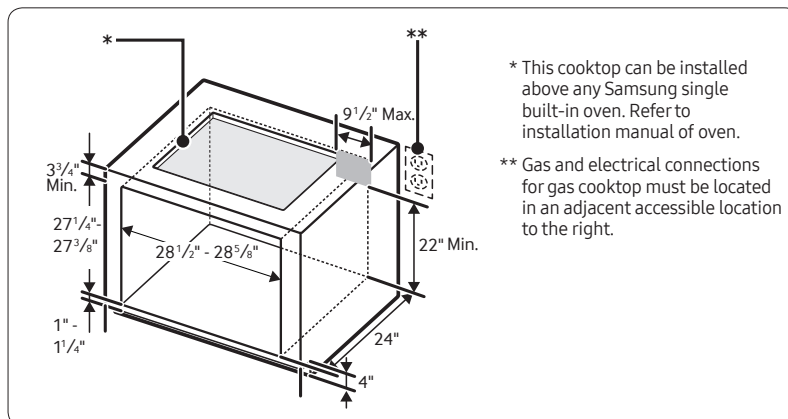
NA36R5310FG/AA

### UPC Code

887276298948

887276298931

### Installing Over a Single Oven



### Cooktop Dimensions

