



Install Guide

5 Series Built-In All Refrigerator and All Freezer

VCRB5304 / VCRB5364

VCFB5304 / VCFB5364

FDRB5304 / FDRB5364

DFB5304 / DFB5364



Table of Contents

Warnings & Important Information	3
Tipping Radius and Door Swing	5
Professional	
Dimensions & Specifications (30" & 36")	7
Dimensions & Specifications (30" & 36" with flush mount trim)	9
Cutout Dimensions (30")	11
Anti-Tip Dimensions (30")	12
Cutout Dimensions (36")	13
Anti-Tip Dimensions (36")	14
Dimensions (Dual 30"/ Dual 30" & 36" & Dual 30"/ Dual 30" & 36" with flush mount trim)	15
Specifications (Dual 30"/ Dual 30" & 36" & Dual 30"/ Dual 30" & 36" with flush mount trim)	19
Cutout Dimensions (Dual 30")	20
Anti-Tip Dimensions (Dual 30")	21
Cutout Dimensions (Dual 30" & 36")	22
Anti-Tip Dimensions (Dual 30" & 36")	23
Cutout Dimensions (Dual 36")	24
Anti-Tip Dimensions (Dual 36")	25
Overlay Panel Dimensions	26
Custom Grille (30")	27
Custom Grille (36")	28
Custom Grille (Dual 30")	29
Custom Grille (Dual 30" & 36")	30
Custom Grille (Dual 36")	31
Cabinet Information	32
Cabinet Information (with flush mount trim)	34
General Information	35
Unpacking & Moving	35
Custom Panel General Information	36
Custom Grille Panel Installation	38
Installation	42
Hinge Adjustment	44
Kickplate Installation	44
Door Stop Adjustment	44
Final Installation	44
Performance Checklist	45
Control Panels	46
Service & Registration	47

IMPORTANT – Please Read and Follow!

Your safety and the safety of others is very important.

We have provided many important safety messages in this manual and on your appliance. **ALWAYS** read and obey all safety messages.

 This is the safety alert symbol. This symbol alerts you to hazards that can kill or hurt you and others.

All safety messages will be preceded by the safety alert symbol and the word "DANGER" or "WARNING." These words mean:

 DANGER

You will be killed or seriously injured if you don't follow instructions.

 WARNING

You can be killed or seriously injured if you don't follow instructions.

All safety messages will identify the hazard, tell you how to reduce the chance of injury, and tell you what can happen if the instructions are not followed.

- Make sure that incoming voltage is the same as unit rating. An electric rating plate specifying voltage, frequency, wattage, amperage, and phase is attached to the product.
- To reduce the risk of fire, electrical shock, or injury to persons, installation work and electrical wiring must be done by a qualified technician in accordance with all applicable codes and standards, including fire-rated construction.
- Maximum altitude installation - 10,000F (3000m)
- The installer should leave these instructions with the consumer who should retain them for local inspector's use and for future reference.

For additional information or installation videos, visit our website at www.vikingrange.com

It is your responsibility to:

- comply with installation specifications and dimensions.
- properly install unit.
- remove any moldings or decorative panels that prevent the unit from being serviced.
- make sure that you have these materials (not provided with your unit), which are necessary for proper installation:
 - 1/4" (6 mm) copper tubing with shutoff valve
 - 1– Saddle valve (do not use self-piercing feature of the valve)
- assure that floor will support unit, door panels and contents (approximately 1200 pounds [540 kg]).
- provide a properly grounded electrical outlet.
- assure that location will permit appliance doors to open 90° minimum.

Required tools

- Drill
- Drill bits - 3" Phillips (PH2)
- Rubber mallet
- 3/8" wrench
- Ratchet with extension - 1/4" and 5/16" hex drive.


IMPORTANT – Please Read and Follow!

This unit is under pressure
with explosive R600A Gas



⚠ WARNING	
	RISK OF FIRE / FLAMMABLE MATERIAL Contains R600a refrigerant. To be repaired only by trained service personnel. DO NOT puncture refrigerant tubing.
⚠ WARNING	
	ELECTRICAL SHOCK HAZARD Disconnect power or turn power disconnect switch to OFF position before removing top grille. Failure to do so can result in death or electrical shock.

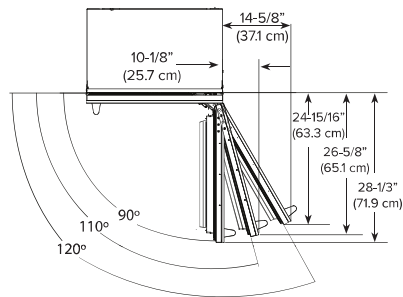
- To reduce the risk of fire, electrical shock, or injury to persons, installation work and electrical wiring must be done by a qualified technician in accordance with all applicable codes and standards.
- The installers should leave these instructions with the consumers who should retain them for local inspector's use and for future reference.
- The electrical supply for this unit should comply with the latest local building codes or in the absence of local codes the latest NFPA-70 (national electrical code). The unit requires a grounded and polarized 115 VAC, 60 Hz, 15A power supply (normal household current). An individual, properly grounded branch circuit or circuit breaker is recommended. A GFCI (ground fault circuit interrupter) is not recommended for your unit because it could be prone to nuisance tripping.

⚠ WARNING	
	TIP OVER HAZARD Appliance is top heavy and tips easily when not completely installed. To avoid a hazard due to instability of the appliance, it must be installed according to the instructions including the anti-tip boards.
Use two or more people to move and install appliance. Failure to do so can result in death or serious injury. Most of the unit's weight is at the top. Extra care is needed when moving the unit to prevent tipping. Use cardboard shipping material or plywood under unit until it is installed in the operating position to protect floor surface.	

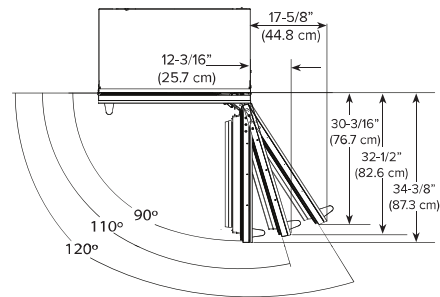
Tipping Radius and Door Swing

NOTE: When tipping unit, lean product to left side ONLY. Leaning unit to the right or rear sides will result in damage to the partson the bottom and will cause the compressor oil to leak into the sealed system. This will cause improper cooling. **NOTE:** Figures below are for dimensions reference only.

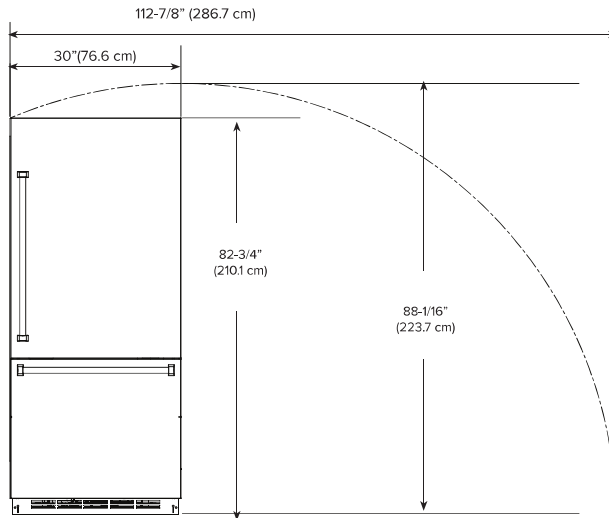
30" All Refrigerator / All Freezer Door Swing



36" All Refrigerator / All Freezer Door Swing



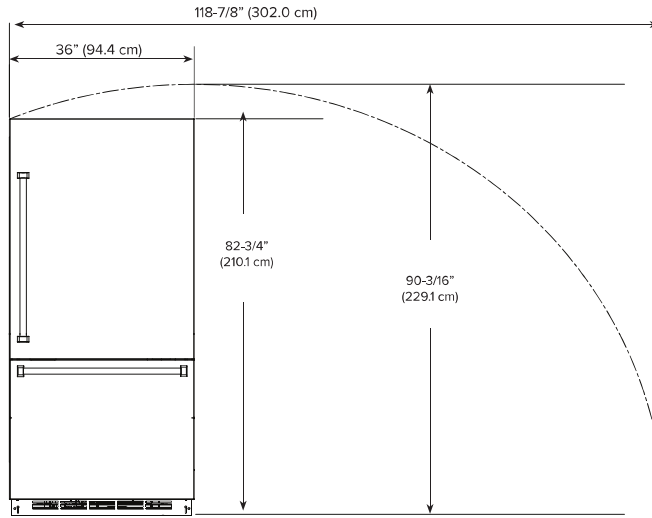
30" All Refrigerator / All Freezer Side Tip



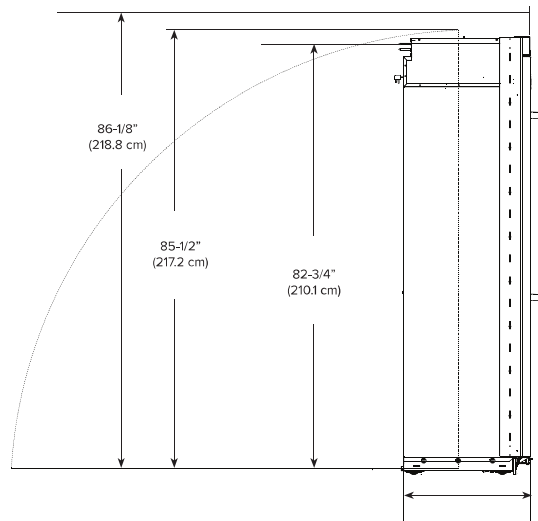
Tipping Radius and Door Swing

NOTE: Figures below are for dimensions reference only

36" All Refrigerator / All Freezer Side Tip

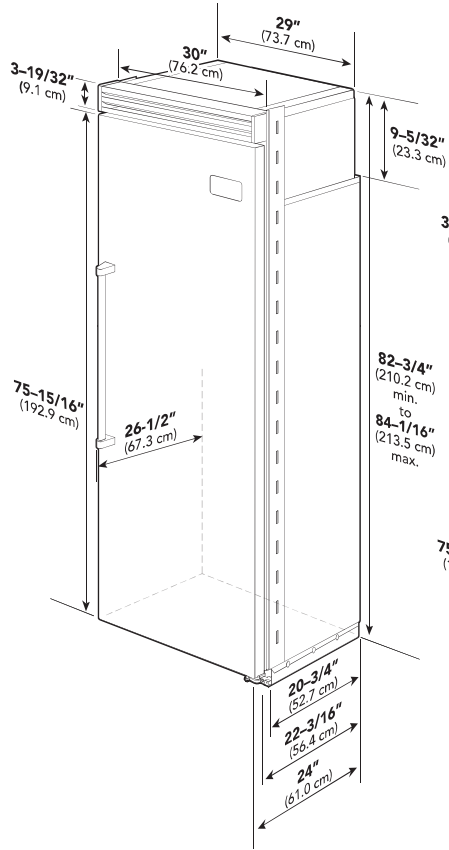


Back Tip

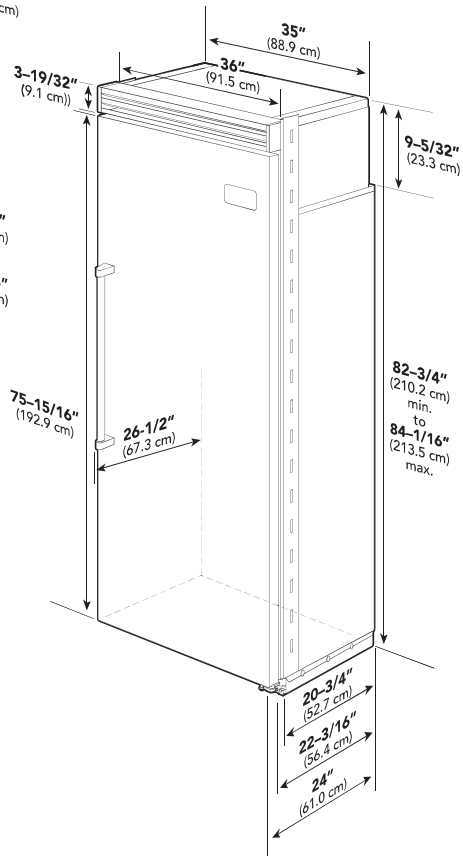


Dimensions

30" All Refrigerator / All Freezer



36" All Refrigerator / All Freezer



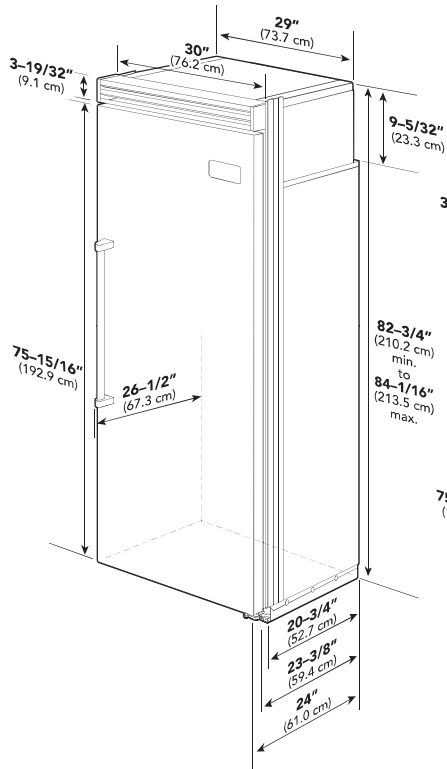
Specifications

30" All Refrigerator / All Freezer		
Description	VCRB	VCFB
Overall width	30" (76.2 cm)	
Overall height (from bottom)	82-3/4" (210.2 cm) min. to 84-1/16" (213.5 cm) max.	
Overall depth from rear	To front edge of side trim: To front of top grille: To front of handle endcap:	22-3/16" (56.4 cm) 24" (61.0 cm) 26-1/2" (67.3 cm)
Cutout width	29-5/8" (75.2 cm) min. to 29-3/4" (75.6 cm) max.	
Cutout height	82-7/8" (210.5 cm) min. to 84-1/16" (213.5 cm) max.	
Standard Cutout depth	24" (61.0 cm) min.	
Electrical requirements	115 volt, 60 Hz, 15 amp dedicated circuit; 3-wire cord with grounded 3-prong plug attached to product	
Maximum amp usage	5.7 amps	9.1 amps
Inlet water requirements	N/A	1/4" copper tubing inlet waterline; minimum 20 psi; maximum 120 psi
Overall interior dimensions	17.8 cu. ft. (504 liters)	15.9 cu. ft. (450 liters)
Approximate shipping weight	525 lbs. (236.3 kg)	550 lbs. (247.5 kg)

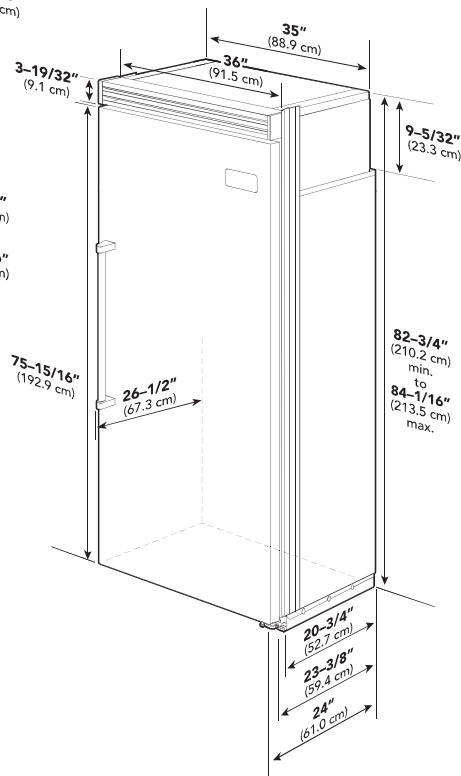
36" All Refrigerator / All Freezer		
Description	VCRB	VCFB
Overall width	36" (91.5 cm)	
Overall height (from bottom)	82-3/4" (210.2 cm) min. to 84-1/16" (213.5 cm) max.	
Overall depth from rear	To front edge of side trim: To front of top grille: To front of handle endcap:	22-3/16" (56.4 cm) 24" (61.0 cm) 26-1/2" (67.3 cm)
Cutout width	35-5/8" (90.5 cm) min. to 35-3/4" (90.8 cm) max.	
Cutout height	82-7/8" (210.5 cm) min. to 84-1/16" (213.5 cm) max.	
Standard Cutout depth	24" (61.0 cm) min.	
Electrical requirements	115 volt, 60 Hz, 15 amp dedicated circuit; 3-wire cord with grounded 3-prong plug attached to product	
Maximum amp usage	6.5 amps	9.5 amps
Inlet water requirements	N/A	1/4" copper tubing inlet waterline; minimum 20 psi; maximum 120 psi
Overall interior dimensions	19.2 cu. ft. (544 liters)	22.0 cu. ft. (623 liters)
Approximate shipping weight	590 lbs. (265.5 kg)	605 lbs. (272.3 kg)

Dimensions

30" All Refrigerator / All Freezer
with Flush Mount Trim



36" All Refrigerator / All Freezer
with Flush Mount Trim



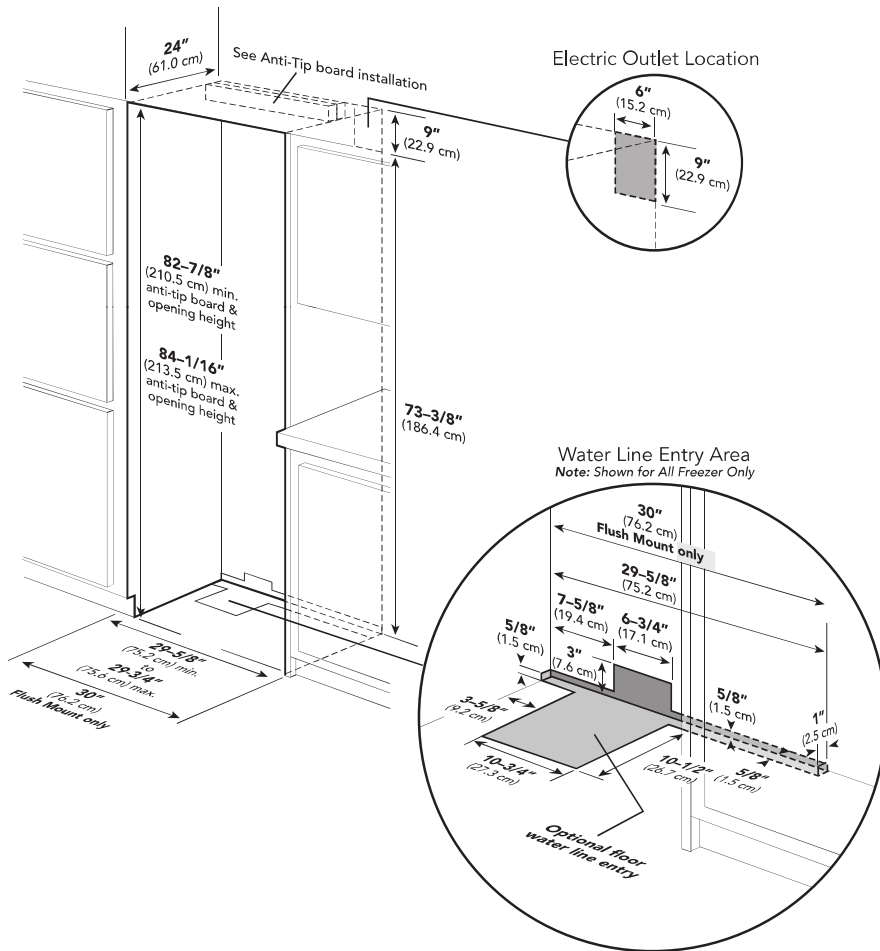
Specifications

30" All Refrigerator / All Freezer		
Description	VCRB w/ Flush Mount Trim	VCFB w/ Flush Mount Trim
Overall width	30" (76.2 cm)	
Overall height (from bottom)	82-3/4" (210.2 cm) min. to 84-1/16" (213.5 cm) max.	
Overall depth from rear	To front edge of side trim: To front of top grille: To front of handle endcap:	22-3/8" (59.4 cm) 24" (61.0 cm) 26-1/2" (67.3 cm)
Cutout width	30" (74.9 cm)	
Cutout height	82-7/8" (210.5 cm) min. to 84-1/16" (213.5 cm) max.	
Standard Cutout depth	24" (61.0 cm) min.	
Electrical requirements	115 volt, 60 Hz, 15 amp dedicated circuit; 3-wire cord with grounded 3-prong plug attached to product	
Maximum amp usage	5.7 amps	9.1 amps
Inlet water requirements	N/A	1/4" copper tubing inlet waterline; minimum 20 psi; maximum 120 psi
Overall interior dimensions	17.8 cu. ft. (504 liters)	15.9 cu. ft. (450 liters)
Approximate shipping weight	525 lbs. (236.3 kg)	550 lbs. (247.5 kg)

36" All Refrigerator / All Freezer		
Description	VCRB w/ Flush Mount Trim	VCFB w/ Flush Mount Trim
Overall width	36" (91.5 cm)	
Overall height (from bottom)	82-3/4" (210.2 cm) min. to 84-1/16" (213.5 cm) max.	
Overall depth from rear	To front edge of side trim: To front of top grille: To front of handle endcap:	22-3/8" (59.4 cm) 24" (61.0 cm) 26-1/2" (67.3 cm)
Cutout width	35-5/8" (90.5 cm) min. to 35-3/4" (90.8 cm) max.	
Cutout height	82-7/8" (210.5 cm) min. to 84-1/16" (213.5 cm) max.	
Standard Cutout depth	24" (61.0 cm) min.	
Electrical requirements	115 volt, 60 Hz, 15 amp dedicated circuit; 3-wire cord with grounded 3-prong plug attached to product	
Maximum amp usage	6.5 amps	9.5 amps
Inlet water requirements	N/A	1/4" copper tubing inlet waterline; minimum 20 psi; maximum 120 psi
Overall interior dimensions	19.2 cu. ft. (544 liters)	22.0 cu. ft. (623 liters)
Approximate shipping weight	590 lbs. (265.5 kg)	605 lbs. (272.3 kg)

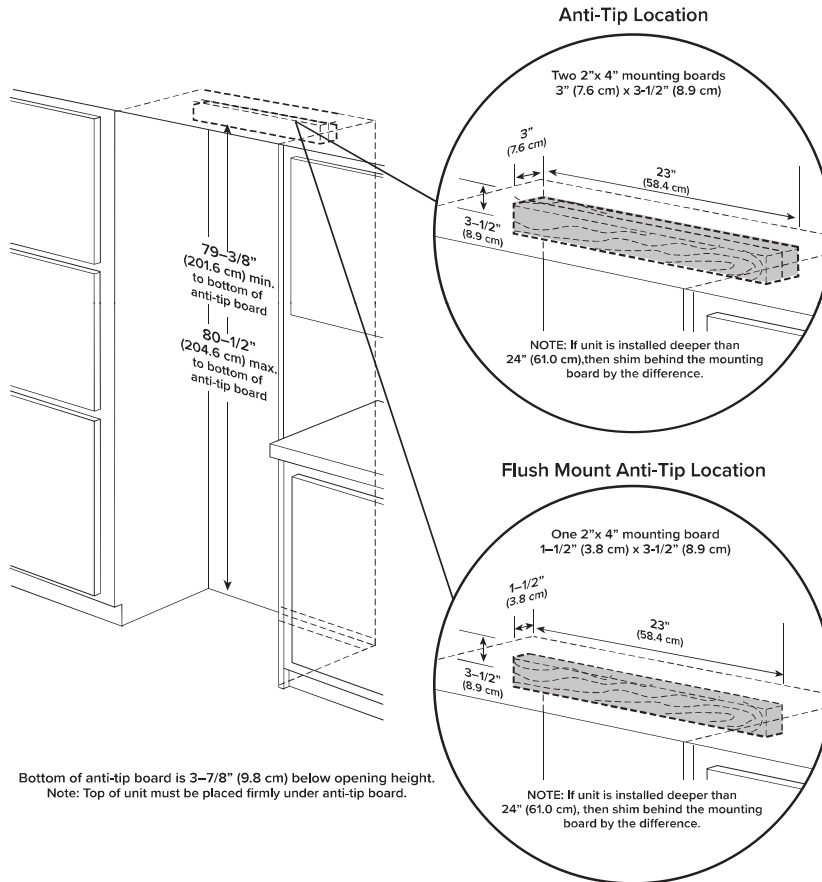
Cutout Dimensions

30" All Refrigerator / All Freezer



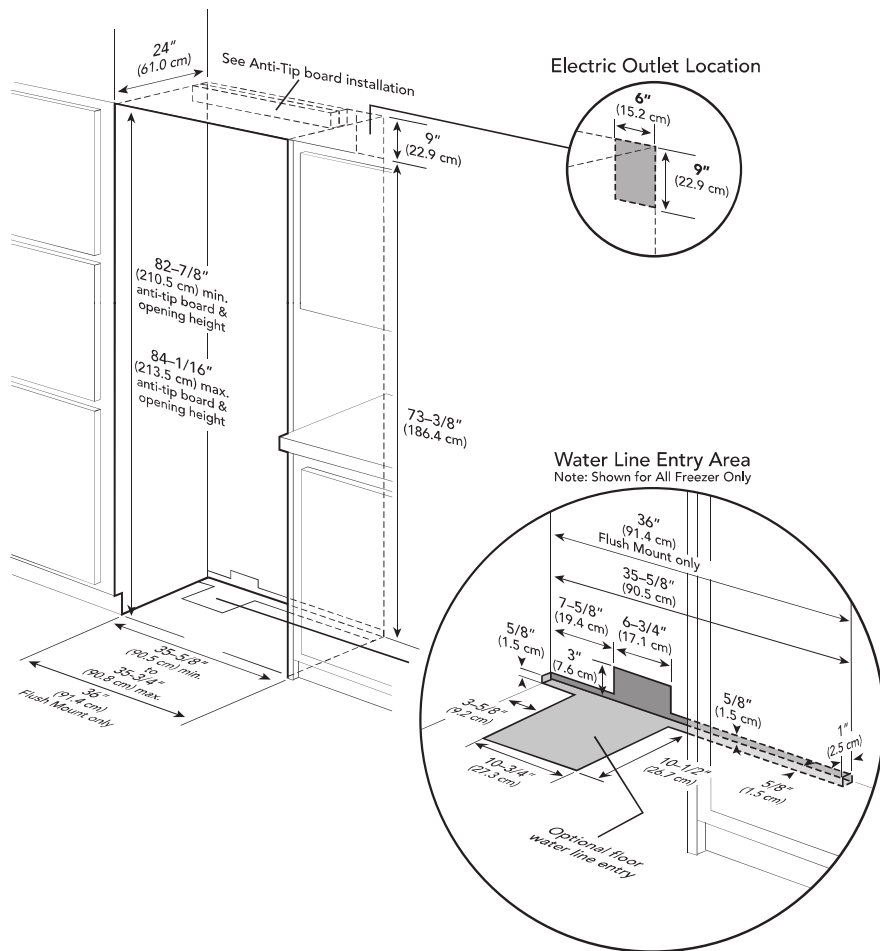
Anti-tip Dimensions

30" All Refrigerator / All Freezer



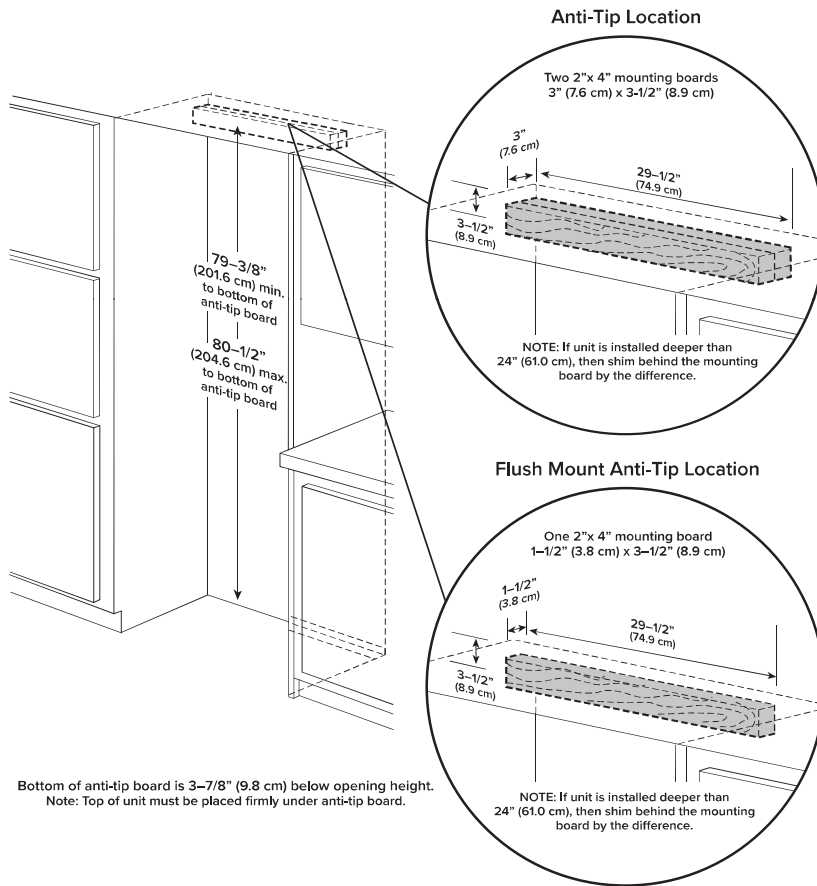
Cutout Dimensions

36" All Refrigerator / All Freezer



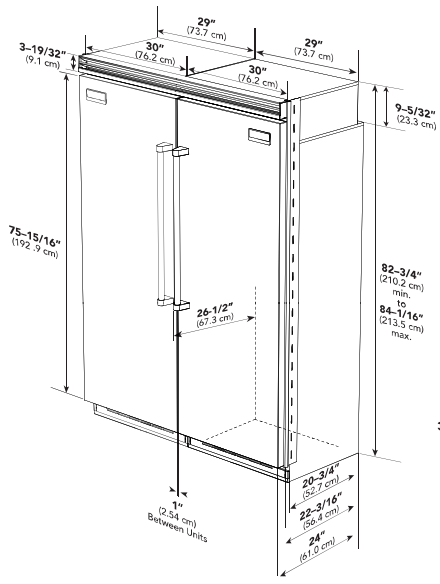
Anti-tip Dimensions

36" All Refrigerator / All Freezer

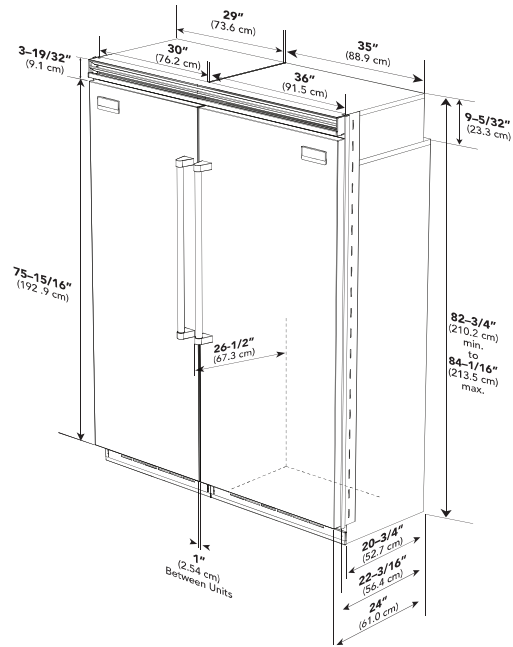


Dimensions

Dual 30" All Refrigerator / All Freezer*



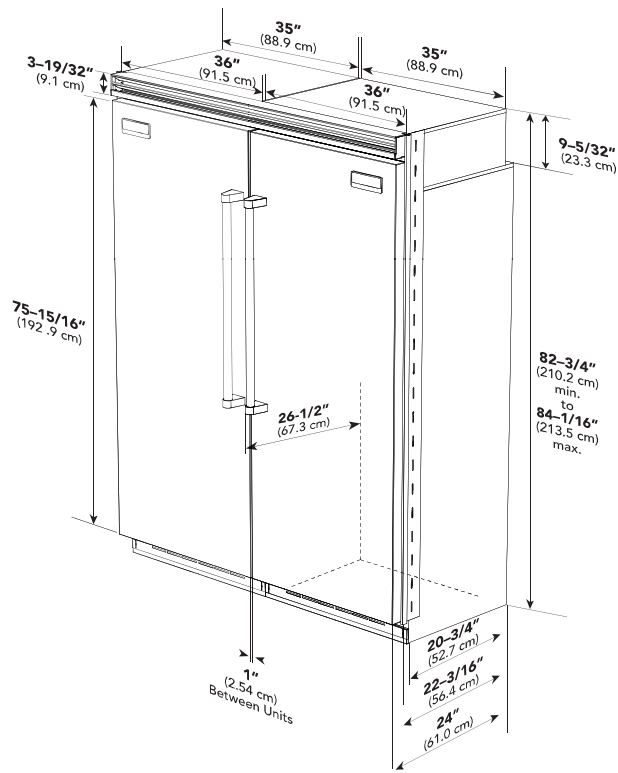
Dual 30" & 36" All Refrigerator / All Freezer*



*Shown with optional one-piece grille kit

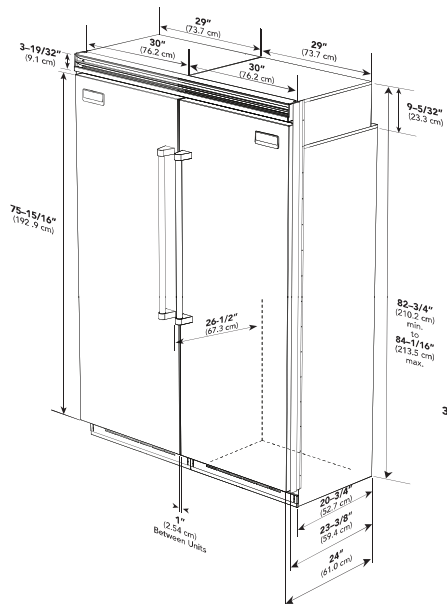
Dimensions

Dual 36" All Refrigerator / All Freezer*

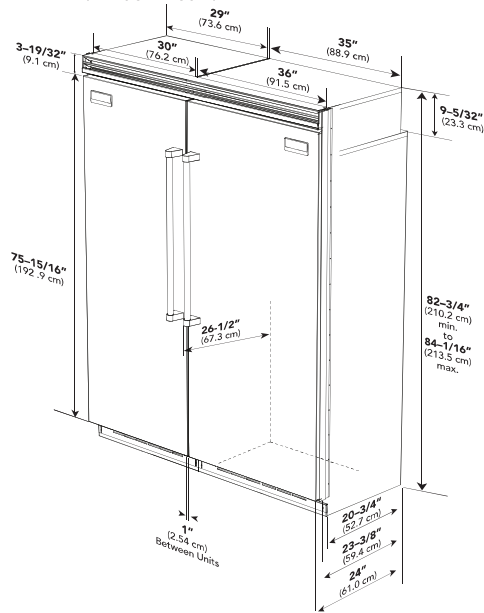


Dimensions

Dual 30" All Refrigerator / All Freezer with Flush Mount Trim



Dual 30" & 36" All Refrigerator / All Freezer with Flush Mount Trim



Note: Flush Mount kit (PBIRFTK) purchased separately
 *Shown with optional one-piece grille kit

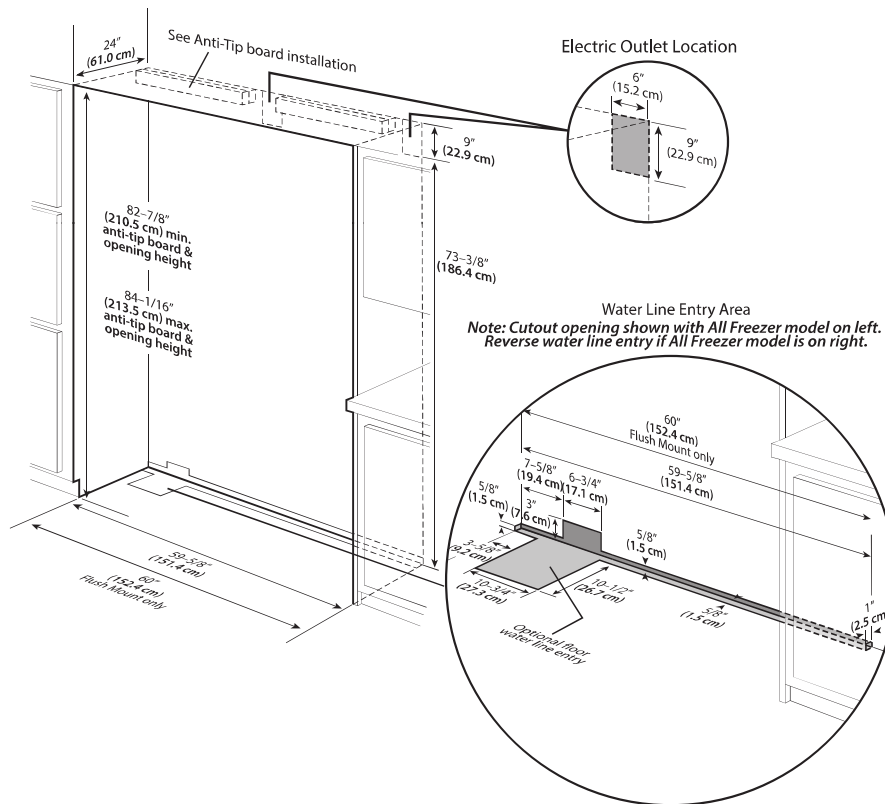
Specifications

Dual All Refrigerator / All Freezer			
Description	(2) 30"Units	(1) 30"& (1) 36 Unit	(2) 36" Units
Overall width	60" (152.4 cm)	66" (167.6 cm)	72" (182.9 cm)
Overall height (from bottom)	82-3/4" (210.2 cm) min. to 84-1/16" (213.5 cm) max.		
Overall depth from rear	To front edge of side trim: 22-3/16" (56.4 cm) To front of top grille: 24" (61.0 cm) To front of handle endcap: 26-1/2" (67.3 cm)		
Cutout width	59-5/8" (151.4 cm)	65-5/8" (166.7 cm)	71-5/8" (181.9 cm)
Cutout height	82-7/8" (210.5 cm) min. to 84-1/16" (213.5 cm) max.		
Standard Cutout depth	24" (61.0 cm) min.		
Electrical requirements	(2) 115 volt, 60 Hz, 15 amp dedicated circuit; 3-wire cord with grounded 3-prong plug attached to product		
Maximum amp usage	30"Freezer 9.1 amps per unit 36" Freezer 9.5 amps per unit	30"Refrigerator 5.7 amps per unit 36" Refrigerator 6.5 amps per unit	
Inlet water requirements (All Freezer units only)	1/4" copper tubing inlet waterline; minimum 20 psi; maximum 120 psi		
Overall interior dimensions	30"Freezer 15.9 cu. ft. (450 liters) 30"Refrigerator 17.8 cu. ft. (504 liters) 36" Freezer 19.2 cu. ft. (544 liters) 36" Refrigerator 22.0 cu. ft. (623 liters)		
Approximate shipping weight	30"Freezer 550 lbs (247.5 kg) each 36" Freezer 605 lbs. (272.3 kg) each	30"Refrigerator 525 lbs. (236.3 kg) each 36" Refrigerator 590 lbs. (265.5 kg) each	

Dual All Refrigerator / All Freezer w/ Flush Mount Trim			
Description	(2) 30"Units	(1) 30"& (1) 36 Unit	(2) 36" Units
Overall width	60" (152.4 cm)	66" (167.6 cm)	72" (182.9 cm)
Overall height (from bottom)	82-3/4" (210.2 cm) min. to 84-1/16" (213.5 cm) max.		
Overall depth from rear	To front edge of side trim: 22-3/8" (59.4 cm) To front of top grille: 24" (61.0 cm) To front of handle endcap: 26-1/2" (67.3 cm)		
Cutout width	60" (152.4 cm)	66" (167.6 cm)	72" (182.9 cm)
Cutout height	82-7/8" (210.5 cm) min. to 84-1/16" (213.5 cm) max.		
Standard Cutout depth	24" (61.0 cm) min.		
Electrical requirements	(2) 115 volt, 60 Hz, 15 amp dedicated circuit; 3-wire cord with grounded 3-prong plug attached to product		
Maximum amp usage	30"Freezer 9.1 amps per unit 36" Freezer 9.5 amps per unit	30"Refrigerator 5.7 amps per unit 36" Refrigerator 6.5 amps per unit	
Inlet water requirements (All Freezer units only)	1/4" copper tubing inlet waterline; minimum 20 psi; maximum 120 psi		
Overall interior dimensions	30"Freezer 15.9 cu. ft. (450 liters) 30"Refrigerator 17.8 cu. ft. (504 liters) 36" Freezer 19.2 cu. ft. (544 liters) 36" Refrigerator 22.0 cu. ft. (623 liters)		
Approximate shipping weight	30"Freezer 550 lbs (247.5 kg) each 36" Freezer 605 lbs. (272.3 kg) each	30"Refrigerator 525 lbs. (236.3 kg) each 36" Refrigerator 590 lbs. (265.5 kg) each	

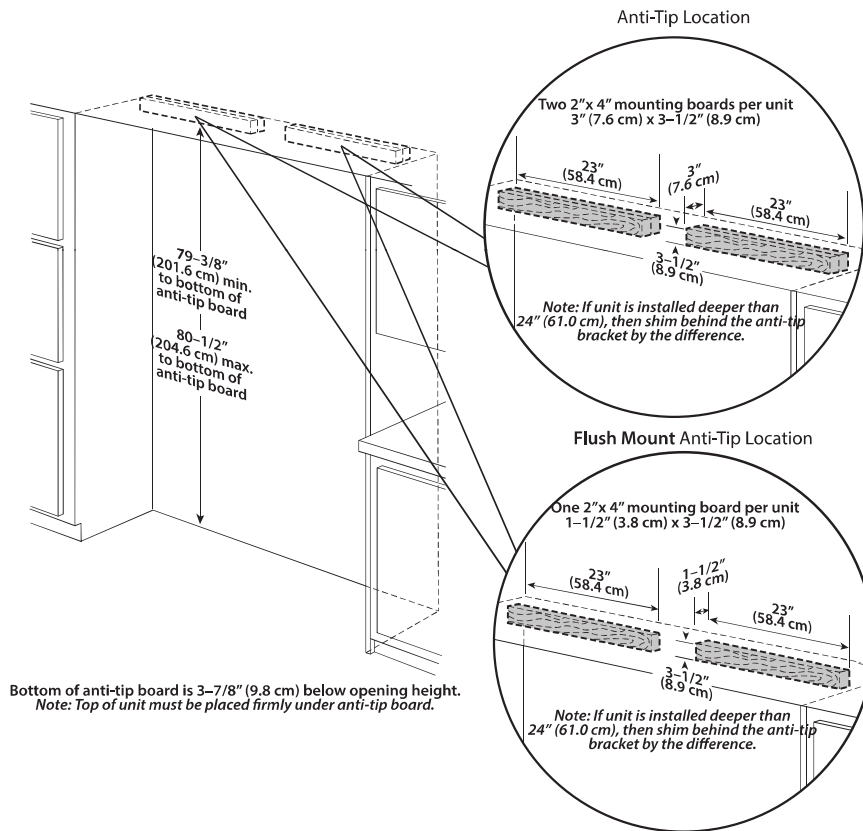
Cutout Dimensions

Dual 30" All Refrigerator / All Freezer



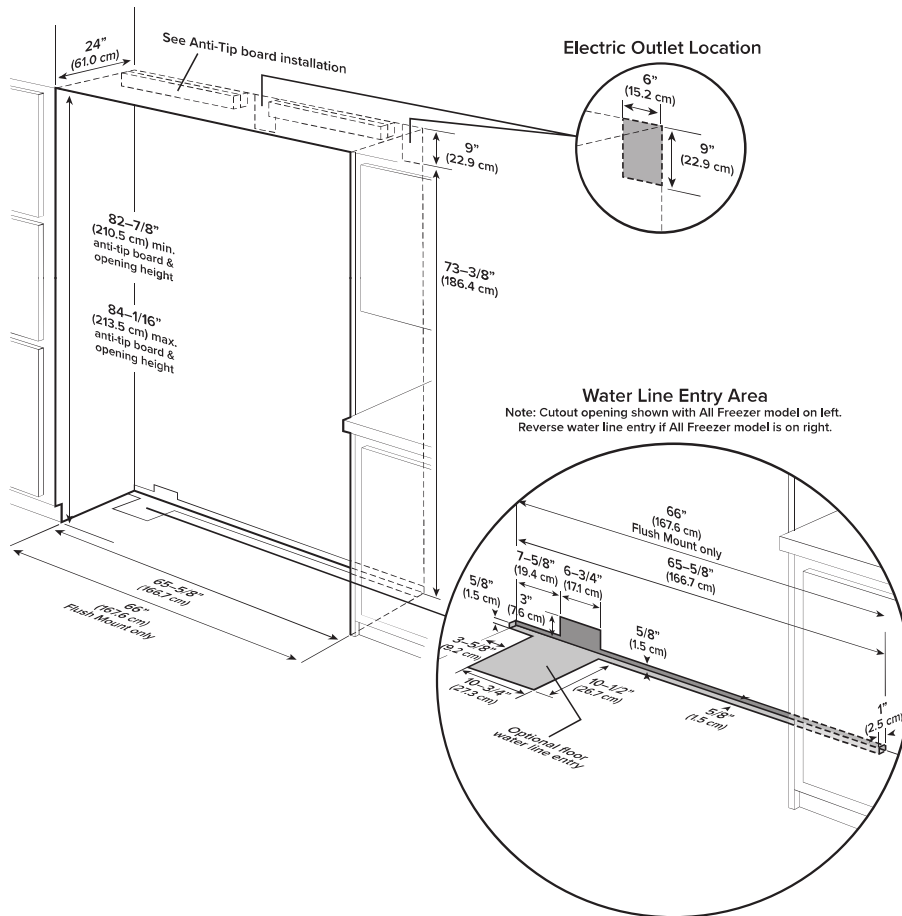
Anti-tip Dimensions

Dual 30" All Refrigerator / All Freezer



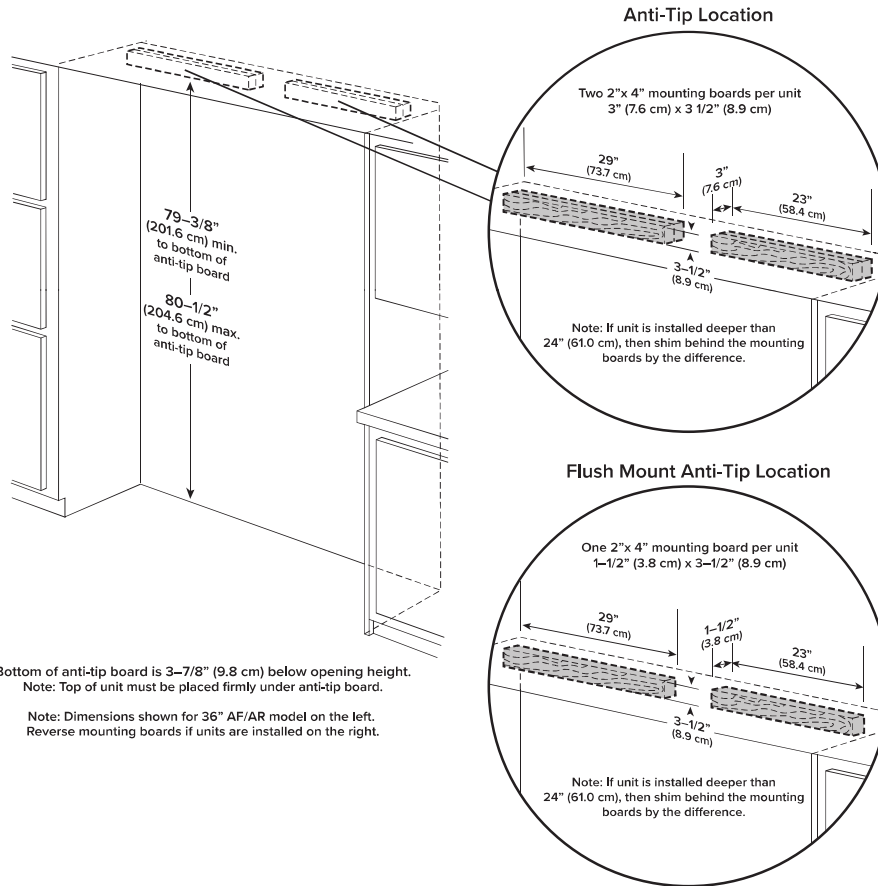
Cutout Dimensions

Dual 30" & 36" All Refrigerator / All Freezer



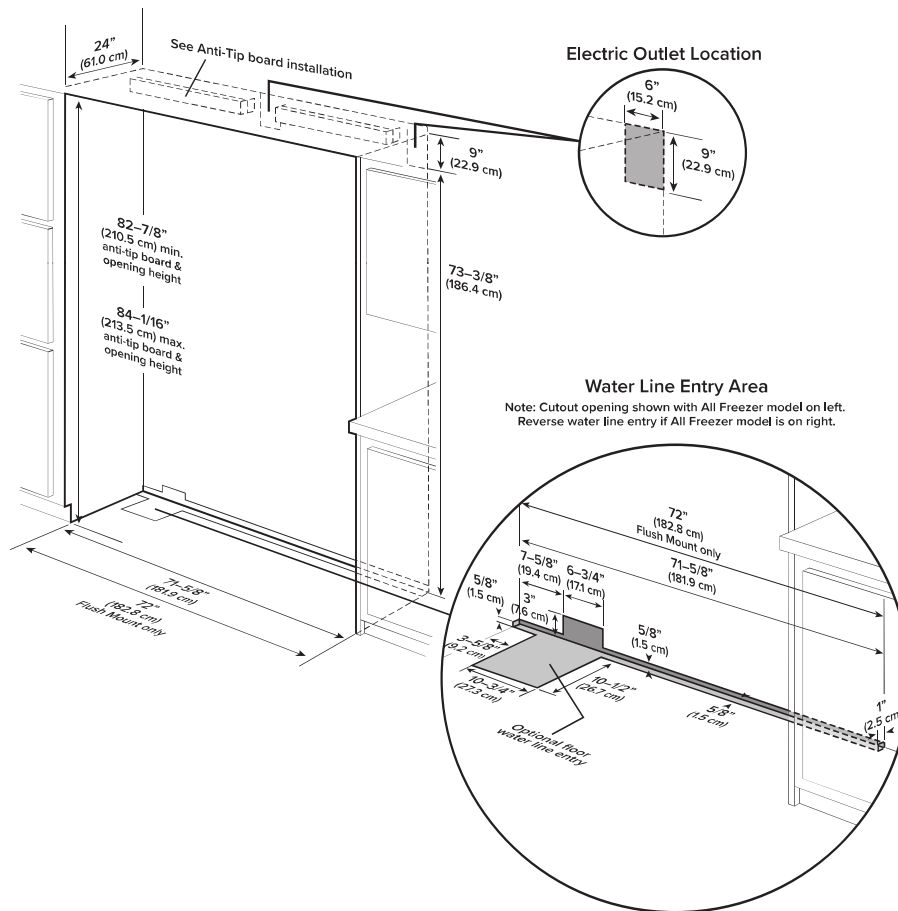
Anti-tip Dimensions

Dual 30" & 36" All Refrigerator / All Freezer



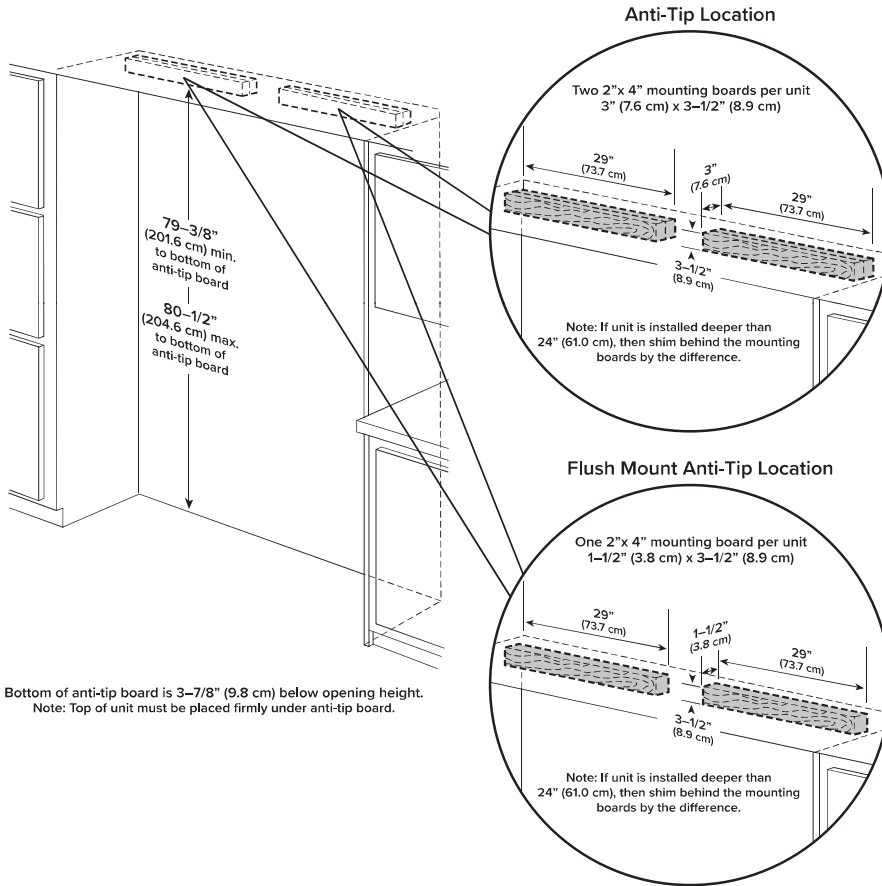
Cutout Dimensions

Dual 36" All Refrigerator / All Freezer

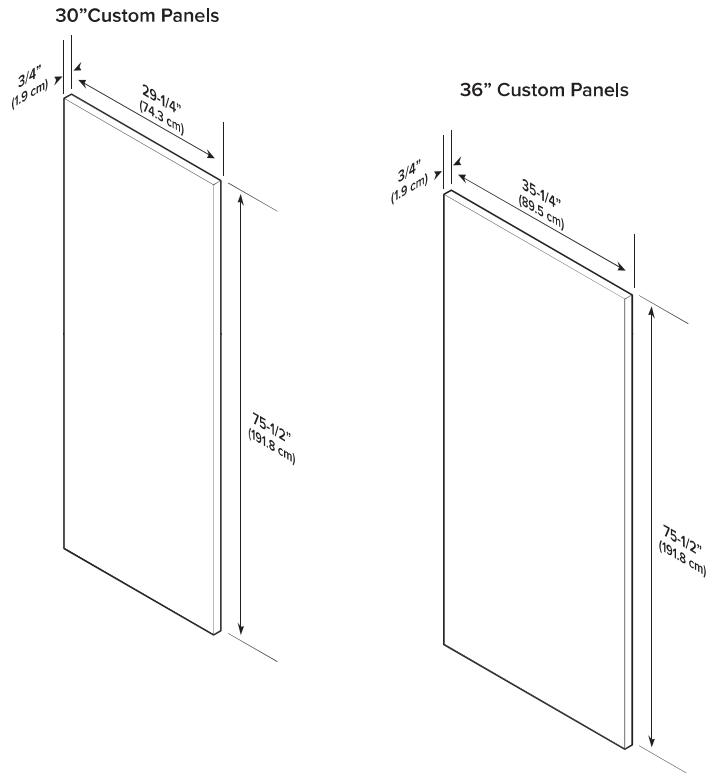


Anti-tip Dimensions

Dual 36" All Refrigerator / All Freezer



Overlay Panel Dimensions

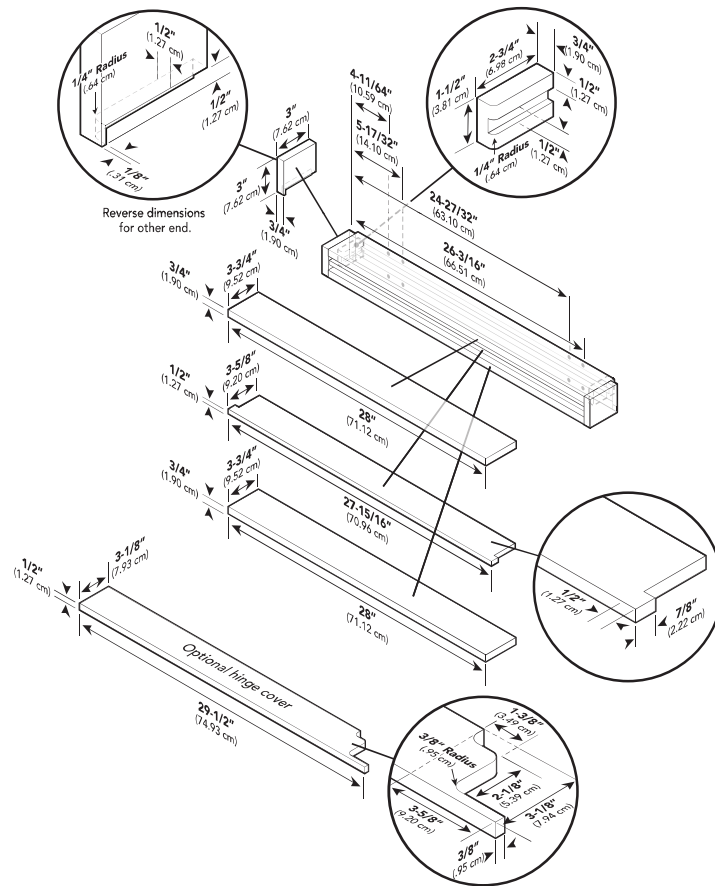


Note: Hardware placement can vary depending on single or dual installation.

Note: Panel overlays must be dry, solid, straight one piece panels. The use of multiple panel pieces to achieve the dimensions is not recommended.

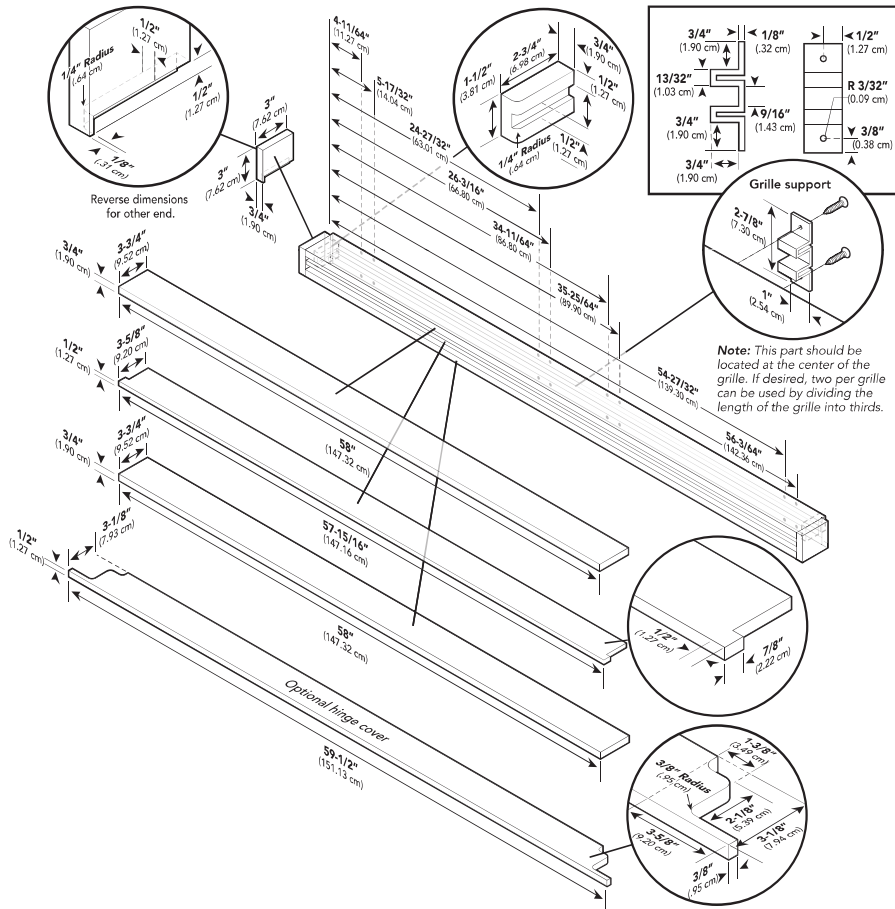
Custom Grille Dimensions

30" Custom Grille



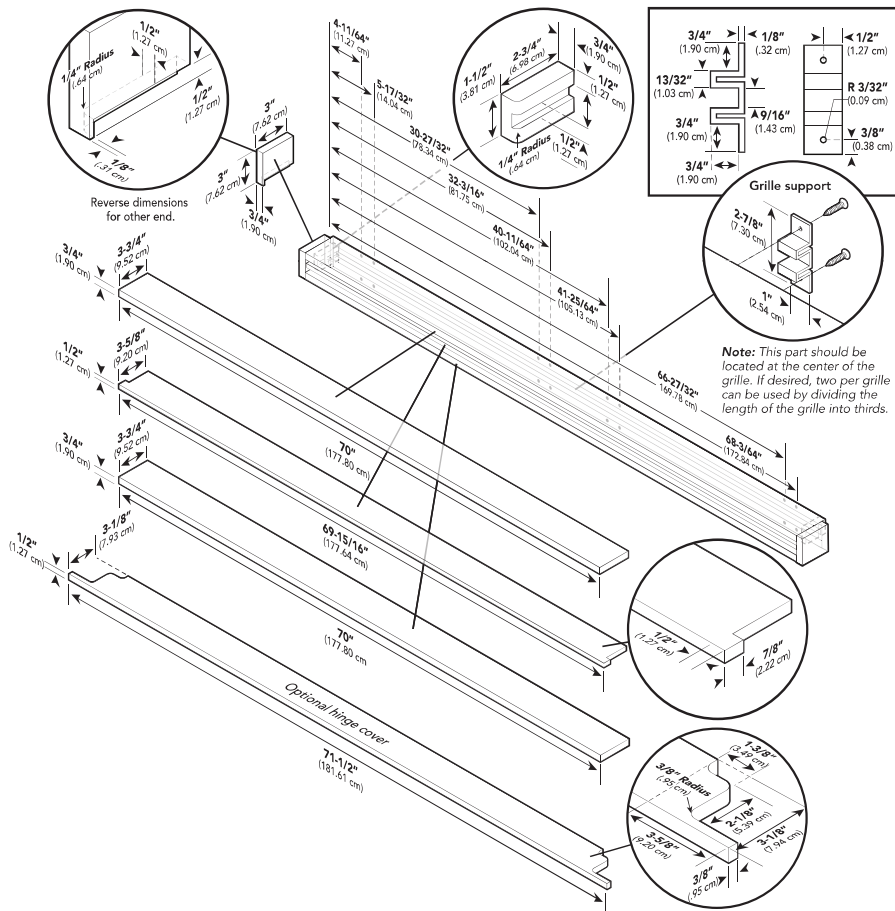
Custom Grille Dimensions

Dual 30" Custom Grille



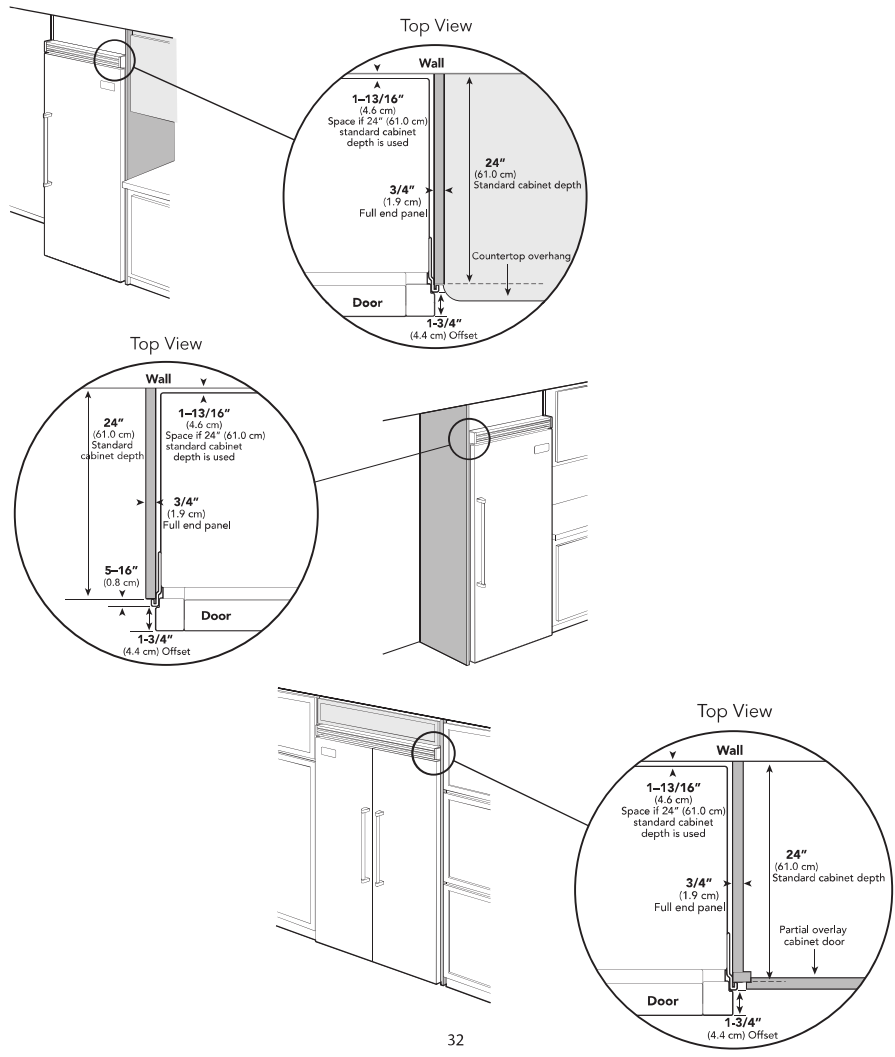
Custom Grille Dimensions

Dual 36" Custom Grille



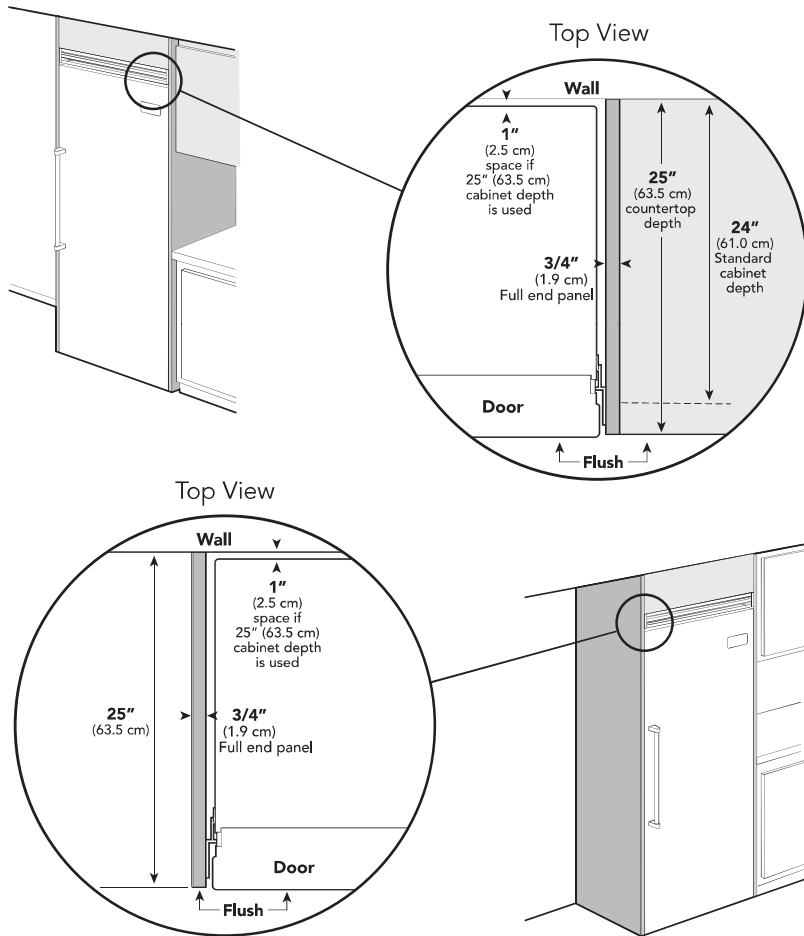
Cabinet Information

Professional models fit "semi-flush" in standard 24" (61.0 cm) deep cabinet openings. The door face protrudes 2-1/16" (5.2 cm) from the cabinet face. The handle protrudes an additional 2-1/2" (6.4 cm) into the room.



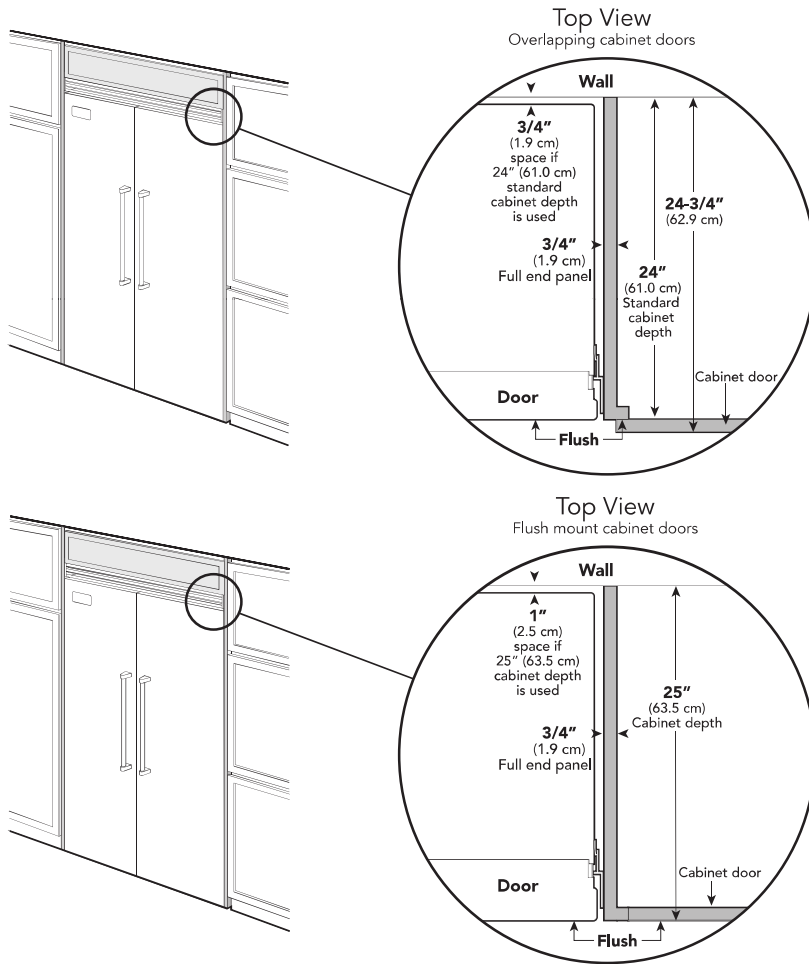
Cabinet Information with Flush Mount Trim

Professional models fit "semi-flush" in standard 24" (61.0 cm) deep cabinet openings. The door face protrudes 1-3/4" (4.4 cm) from the cabinet face. The handle protrudes an additional 2-1/2" (6.4 cm) into the room.



Cabinet Information with Flush Mount Trim

Professional models fit "semi-flush" in standard 24" (61.0 cm) deep cabinet openings. The door face protrudes 1-3/4" (4.4 cm) from the cabinet face. The handle protrudes an additional 2-1/2" (6.4 cm) into the room.



General Information

Area Requirements

Verify the following:

- Unit can fit into residence and can be moved around corners and through doorways.
- Floors can support unit's weight plus food weight (approximately 1200 pounds [540 kg] per unit).
- Floors underneath appliance are level with surrounding finished floor.
- Remove anything attached to rear or side walls that can obstruct unit installation.
- Cutout dimensions are accurate.
- Electrical outlet is in correct location.
- Water line is in correct location.
- Do not install a refrigeration unit near a heat source, nor in a location where the surrounding temperature will fall below 60° F (16° C).
- Keep ventilation openings clear of obstructions.

Electrical Requirements

It is the customer's responsibility to:

- contact a qualified electrical installer.
- assure that the electrical installation is adequate and in conformance with the National Electrical Code, ANSI/NFPA 70-latest edition or Canadian Electrical Code C22.1-1998 and C22.2 No. 0-M91 (or latest edition), and all local codes and ordinances. A 115 volt, 60-Hz, 15 amp, fused, electrical supply is required.

It is required that a separate circuit serving only this appliance be provided. This appliance is equipped with a power supply cord having a 3-prong grounding plug. To minimize possible shock hazard, the cord must be plugged into a mating 3-prong, grounding-type wall receptacle. Do not use an extension cord.

When positioning the appliance, make sure the supply cord is not trapped or damaged.

If codes permit a separate grounding wire to be used, it is recommended that a qualified electrician determine that the grounding path is adequate.

DO NOT ground to a gas pipe. Check with a qualified electrician if you are not sure the appliance is properly grounded. DO NOT have a fuse in the neutral or grounding circuit.

Anti-Tip Requirements

The anti-tip boards should be fastened into position prior to moving the unit into the opening.

<p>⚠ WARNING</p> <p>When positioning the appliance, make sure the power cord is not trapped or damaged. If the power cord is damaged, it must be replaced by the manufacturer, its service agent or similarly qualified persons in order to avoid a hazard.</p>	<p>⚠ WARNING</p> <p>Do not locate multiple portable socket-outlets or portable power supplies at the rear of the appliance.</p>
--	--

⚠ WARNING

To avoid serious illness or death, do not use unit where water is microbiologically unsafe or of unknown quality without adequate disinfection before or after the system. Connect only to a potable water supply. Systems certified for cyst reduction may be used on disinfected water that may contain filterable cysts. The contaminants or other substances removed or reduced by this water treatment system are not necessarily in your water.

Water Supply Requirements (All Freezer)

Use only 1/4" (6 mm) copper tubing for water line. Do Not install copper tubing in area where temperatures drop below 35° F (1.7° C). Before attaching copper tubing to the unit, flush at least 2 quarts (1.9 L) of water through the copper tubing and into a bucket to remove any particles in the water line.

- Viking Range, LLC is not responsible for property damage due to improper installation or water connection.
- Connect 1/4" (6 mm) flexible copper tubing to household plumbing in compliance with local codes and ordinances.
- Length of copper tubing must reach from water supply connection to the unit connection with an additional length to facilitate moving the unit out of enclosure for cleaning or service. Tubing should be soft instead of rigid and ends should be free of burrs.
- Copper tubing route must be above 35° F (1.7° C) to prevent water line from freezing.
- Do not use plastic water lines from the household plumbing to the water inlet valve connection on the unit.
- Do not use the self-piercing feature of a saddle valve. The hole made by the piercing lance is too small for the water flow rate required by the ice maker.
- If saddle valve is not used, place a separate shut-off valve in an easily accessible location between water supply and the unit. Do not locate shut-off valve behind the unit.
- The installation of Viking units with a reverse osmosis system is acceptable as long as the water pressure remains within the allowable PSI as stated below. It is important to note that with many reverse osmosis systems, the pressure starts off high, but then it decreases as the water level of the reverse osmosis storage area drops. This must be considered when checking the water pressure coming into the unit.
- Connect a vertical or horizontal 1/2" (1.2 cm) to 1-1/4" (3.2 cm) COLD water line near water area.

General Information

- Run water line through the floor, back, or side wall. Tubing should lay flat on floor underneath the unit. Clamp tubing to wall or floor.
- Water pressure must be greater than 20 psi and less than 120 psi on non-dispensers and greater than 35 psi and less than 120 psi on dispensers.

Moving Unit

- Lean product to left side ONLY when transporting to install location.
- Leaning to right or rear sides will result in damage to the parts on the bottom of the unit. Tipping to the right side will cause the compressor oil to leak into the sealed system. This will cause the unit to improperly cool.

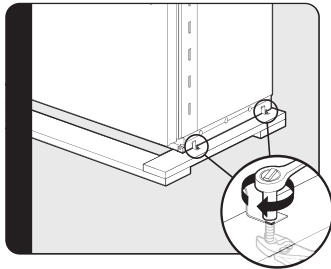
Tip Over Hazard

Appliance is top heavy and tips easily when not completely installed. To avoid a hazard due to instability of the appliance, it must be installed according to the instructions including the anti-tip boards. Use two or more people to move and install appliance. Failure to do so can result in death or serious injury.

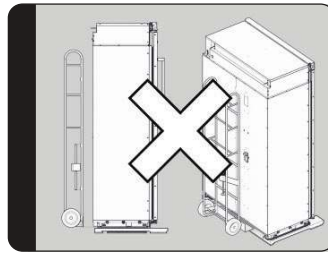
Unpacking unit

1. Remove top and bottom strap.
2. Remove top cap.
3. Cut carton rear approximately 1/4" (0.6 cm) to 1" (2.5 cm) from right corner with a utility knife extended 1/4" (0.6 cm).
4. Remove carton and exterior packaging. Save cardboard shipping material to protect floor surface when installing unit. Remove anti-tip board, kickplate and door trim pieces (DF models) from rear of unit.

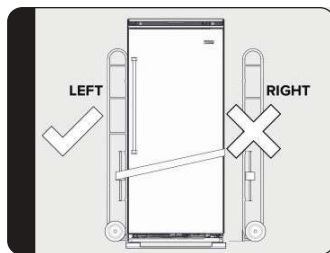
Proper Use of Dolly



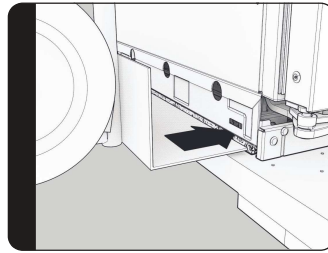
Remove shipping brackets from skid by removing four bolts (two on each side) with a 1/2" (1.3 cm) deep-well socket wrench and a pair of pliers. *Note: Tilting unit is not required to remove shipping brackets.*



Do not place dolly at back of unit



Dolly is to be placed on the LH side to prevent damage to parts on the bottom of the unit



Slip appliance dolly between unit and skid. Remove unit from skid. *Note: Use excess packaging to protect decorative trim; also, verify that leveling legs are up (0° adjustment).*

Custom Panel General Information

Custom finishing options

- All installations must allow for the refrigerator and freezer door to open a minimum of 90°.
- For side wall or corner installation, allow for a standard 3" (7.6 cm) cabinet filler to assure door(s) opens 90°.

Note: If a custom handle is used, a wider filler may be necessary.

- Panel thickness must not exceed 1" (2.5 cm) on hinge side. Thicker panels will interfere with door swing and clearance.
- Door panels should be installed after the refrigerator has been plugged in for at least 24 hours.

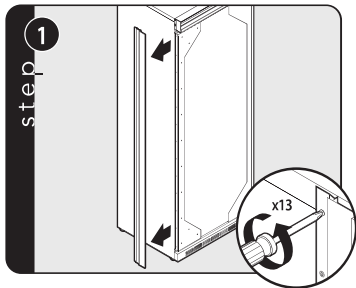
Flush Mount Side Trim

Note: If the unit is to be installed flush with the cabinets, the flush mount side trim must be installed first. If not, skip to "Installation".

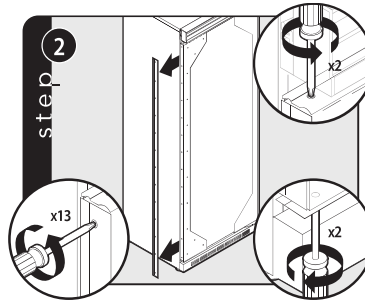
Step 1 - Locate the necessary parts: Two (2) flush mount trim pieces and a hardware kit with twenty-two (22) screws.
 Step 2 - Remove the side trim on the refrigerator and discard the trim and screws.

Step 3 - Align the top of the flush mount side trim with the top of the unit's machine compartment. Using the screws included in the hardware kit, attach the side trim to the unit, only using the holes visible through the side trim. Note: Do not use the screw holes in the machine compartment.

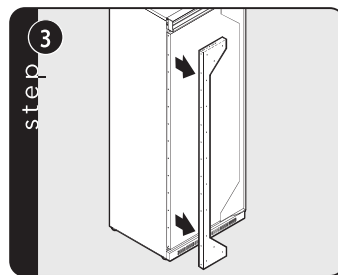
Custom Panel Installation



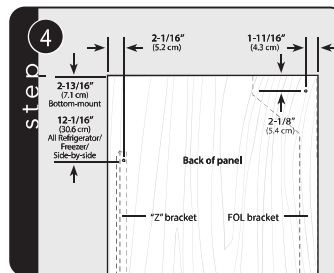
Remove handle side cabinet screws and trim with a phillips screwdriver



Remove all screws from handle side door trim. Remove two screws from top and bottom door trim. Remove handle side door trim.

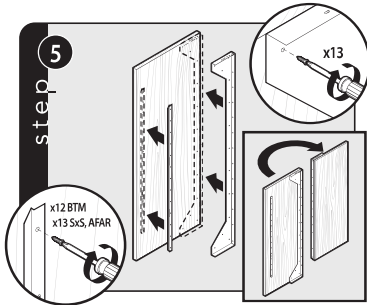


Remove bracket.

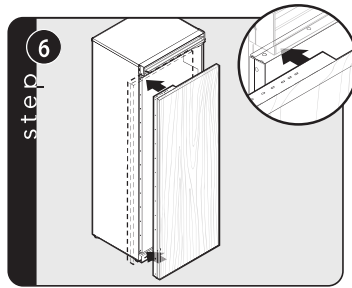


Measure and mark the first hole for each bracket.

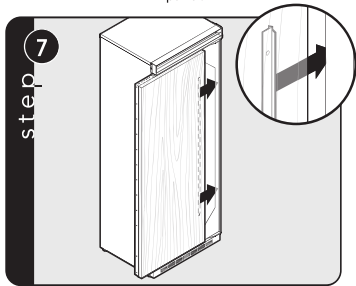
Custom Panel Installation



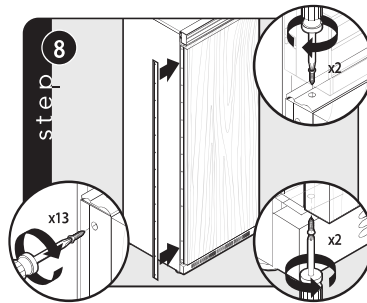
Attach "Z" bracket to the hinge side of custom panel. Attach bracket to the handle side of custom panel.



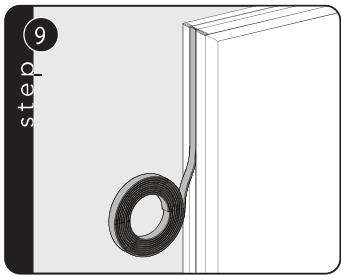
Push custom wood panel onto door



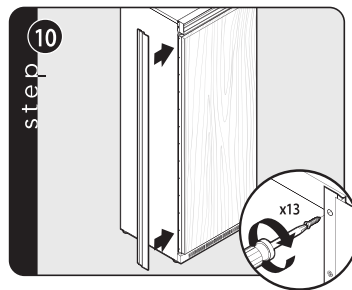
Slide custom wood panel to the hinge side, ensuring "Z" bracket engages the door bracket.



Reinstall handle side door trim and door trim screws.

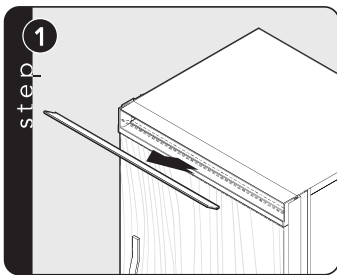


Use the roll of trim insert located in the drawer inside the unit to apply to the door trim.

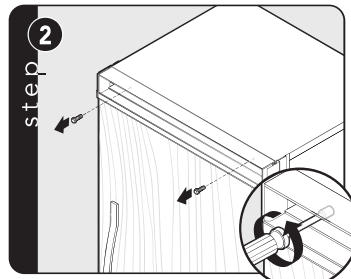


Reinstall cabinet trim and screws.

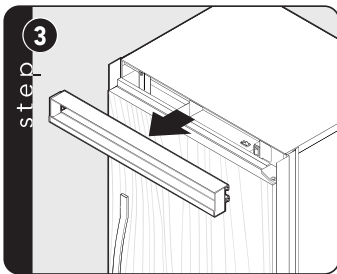
Custom Grille Installation



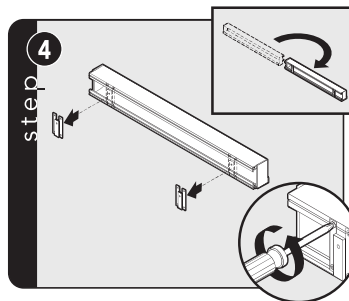
Remove air grille center blade.



Remove two 1/4" (0.6 cm) screws with a magnetic extended screwdriver at least 8" (20.3 cm) long.

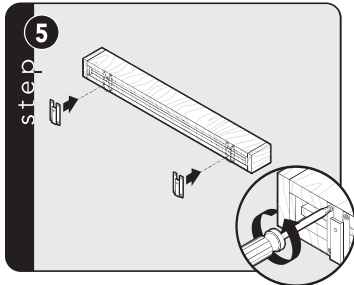


Pull air grille assembly forward.



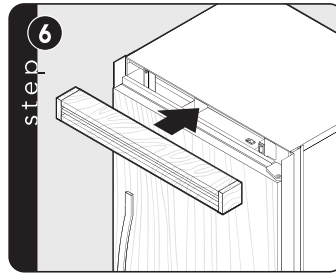
Remove 2 mounting brackets from the grille air assembly.

Custom Grille Installation



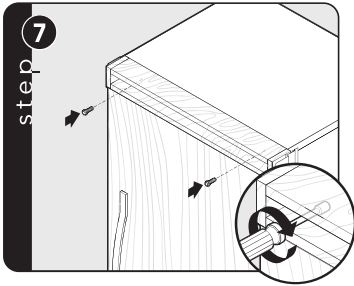
step 5

Using eight screws removed from the mounting brackets, attach mounting brackets to the custom wood grille using predrilled pilot holes. (See grille overlay specifications for proper alignment and pilot hole placement.)



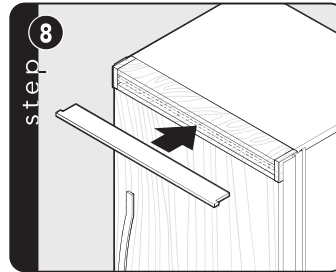
step 6

Insert custom air grille assembly



step 7

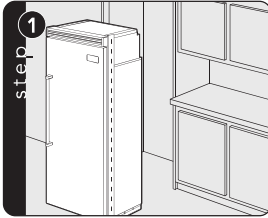
Install two 1/4" (0.6 cm) screws with a magnetic extended screwdriver at least 8" (20.3 cm) long.



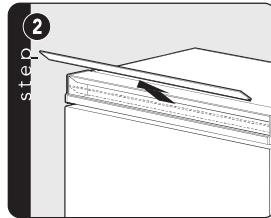
step 8

Install custom air grille center blade.

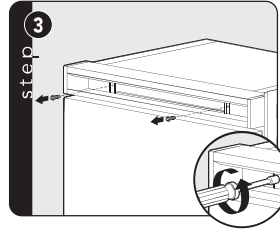
Installation



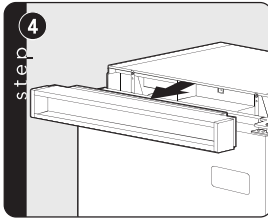
Place unit in front of cutout.



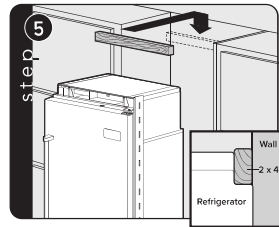
Pull the center grille louver up at an angle and pull out.



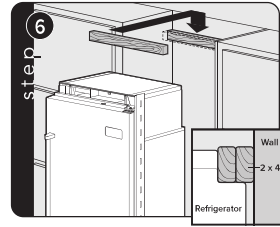
Using an 8" magnetic nut driver, remove the two 1/4" screws.



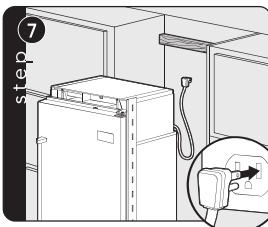
Remove grille assembly.



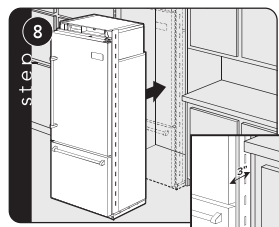
Attach one 2 x 4 to wall stud (refer to dimensions page for exact location).



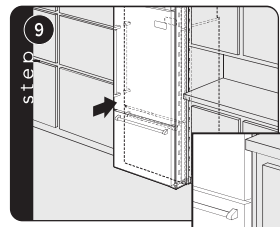
If needed, depending on cabinet and depth, attach second 2 x 4 to first 2 x 4.



Plug in power cord to verify operation.
Note: Make sure power switch is in the "On" Position.

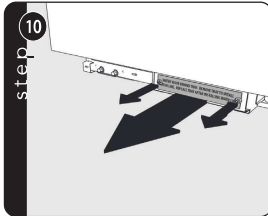


Place unit within 3" (7.6 cm) of being flush with cabinets. **Note:** To avoid cabinet damage, place cardboard between cabinets and unit. When moving unit, **DO NOT** crimp, kink or crush water supply line.

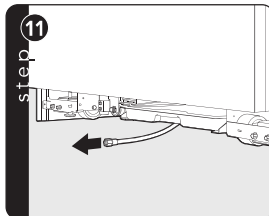


Carefully move unit until semi flush with cabinet (depending on unit).

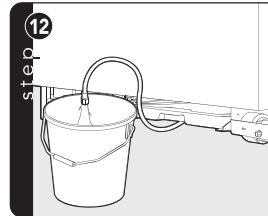
Installation



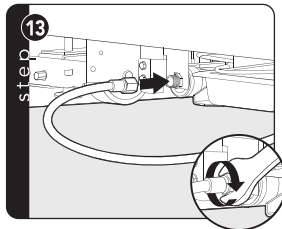
Remove the two screws and pull protective tray out to access water valve.



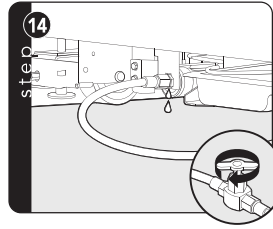
Pull supply tubing forward under unit. **Note:** DO NOT use plastic water lines.



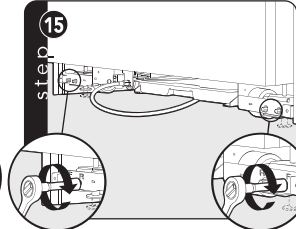
Flush water line by running two quarts of water into a bucket. Turn water off.



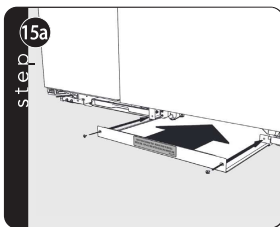
Connect supply tube to water valve using a 1/2" wrench. **Note:** DO NOT overtighten.



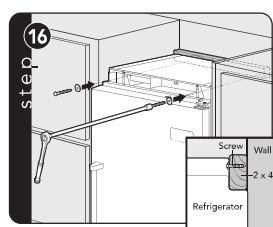
Turn on water supply and check for leaks.



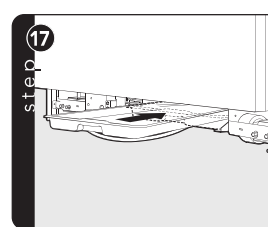
Lift unit off rollers to desired height and level unit using a 5/16" socket with ratchet. **Note:** DO NOT use an electric device. Overtightening can cause damage.



Drive two screws back into place to secure tray in position. If the water line interferes with proper insertion of tray, it may be stored away until unit is to be moved again.



Attach positive secure self-tapping bolts to 2 x 4 using a 22" extension.

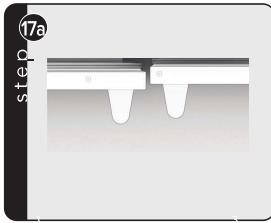


Verify that drain pan is installed and aligned.

Installation

Hinge and Door Adjustment

NOTE: Before performing any door adjustments on the product, the unit must be levelled left to right and front to back.



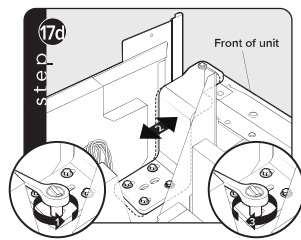
For door misalignment front to back as shown in image follow step 17d



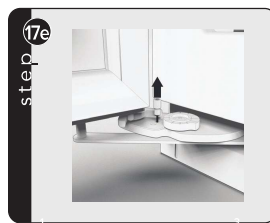
For door gaps at top or bottom as shown in image, follow step 17e to 17h



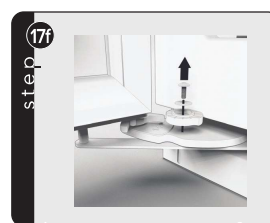
For uneven gap between two doors as shown in image follow step 17d



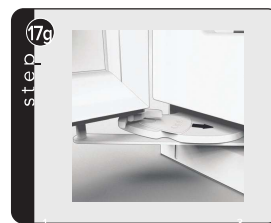
To align door front to back: Loosen the four hinge screws, adjust door front to back and/or left to right. Retighten four hinge screws.



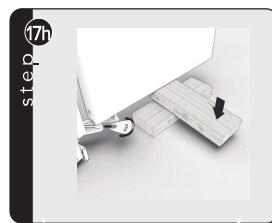
Remove door stop pin



Remove the door cam screw, washer and door cam. Note the positioning of the cam to re-install after adjustment is completed



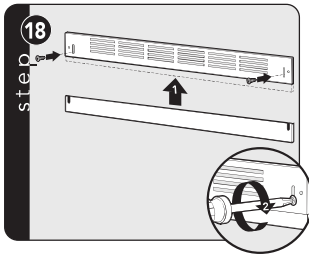
Remove spacer adjustment tool by sliding it back from bushing



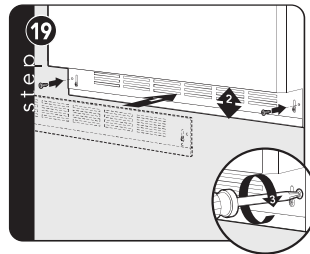
Use a couple of 2x4's to create a fulcrum to take the weight off the door. Insert the spacer adjustment tool into the pivot plate bushing while applying pressure on the fulcrum to remove the door weight, adjust the pivot bushing counterclockwise to raise the door or clockwise to lower the door. Re-assemble the items removed from step 17b thru 17d

Installation

Kickplate Installation

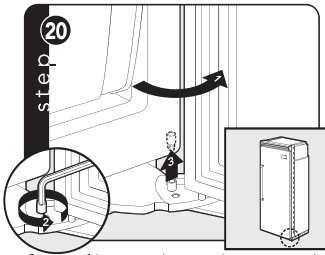


Align holes on both ends of louvered panels and insert screws.

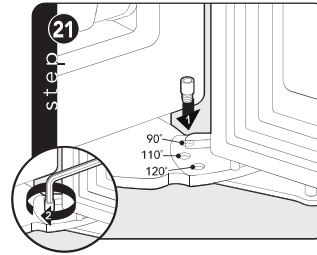


Using a Phillips screwdriver, attach the kickplate to the unit and adjust to desired height.

Door Stop Adjustment

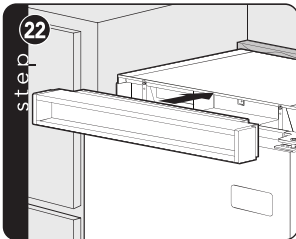


Open refrigerator door so door stop and shoulder screw are accessible.
Note: Shoulder screw should be in 110° door opening position.

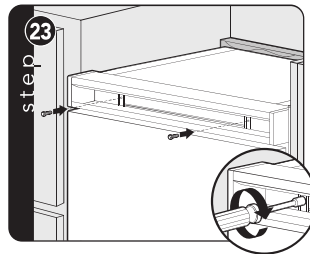


Remove shoulder screw and place in 90° or 120° position.

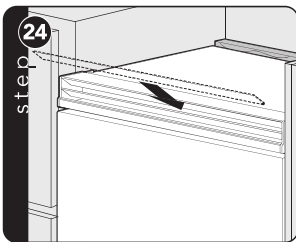
Final Installation



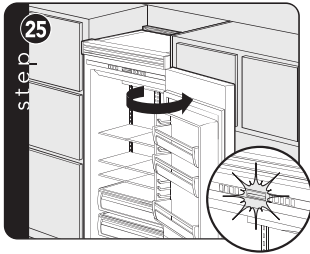
Replace top air grille.



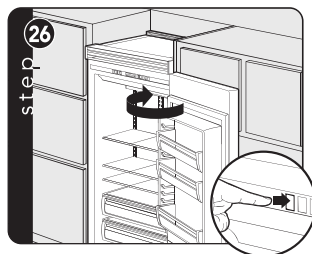
Using an 8" magnetic nut driver, replace the two 1/4" screws.



Replace the center grille louver.



Open door. Display should flash.



Press "ACTIVATE CONTROLS" button pad and close door. *Note:* There is a 6 minute delay before the unit starts.

Performance Checklist

- Verify cabinet size.
- Verify electrical supply and water supply (if applicable).
- Install anti-tip device(s) and verify unit is secure.
- Position unit in cutout, level at desired height, and secure unit.
- Plug-in unit and verify operation.
- Connect water supply (if applicable).
 - Verify icemaker fill tube is properly inserted.
 - Verify icemaker bailarm is down.
- Align/square door(s).
- Verify drain pan is properly installed and there are no leaks in water connection.
- Install kickplate.
- Remove internal packaging and labels and wipe unit down.



Control Panels

All Refrigerator



All Freezer



1. Press "ACTIVATE CONTROLS" pad.
2. Verify unit is not in Sabbath Mode.
 - If in Sabbath Mode:
 - A. The Sabbath Mode will disable the interior lights, display (except SAB indicator, temperature and compartment indicator) and alarm.
 - To exit the Sabbath Mode:
 - B. Press and hold "ACTIVATE CONTROLS" and then "DISPLAY OFF" for 3 seconds. (The control will beep three times to alert the user the Sabbath Mode has been exited and "SAB" will no longer be illuminated.)
 - If in Showroom Mode:
 - A. The Showroom Mode will disable the refrigerator system but all other functions are normal. These include lights and control. (If the refrigerator is in Showroom Mode, SHOW will be lit.)
 - To exit Showroom Mode:
 - B. Press and hold "ACTIVATE CONTROLS"; while holding, press and hold "HIGHER" and "ALARM OFF" together. (The control will beep three times to alert the user the Showroom Mode has been exited and "SHOW" will no longer be illuminated.)
3. Press "ACTIVATE CONTROLS" then press and hold "LOWER"; while holding, press and hold "DISPLAY OFF" and hold until beeps (force start compressor).
4. All models need to be set at 38° F and 0° F for the refrigerator and freezer respectfully - factory setting.

Service & Registration

If service is required, call your authorized service agency.

Have the following information readily available.

- Model number
- Serial number
- Date purchased
- Name of dealer from whom purchased

Clearly describe the problem that you are having. If you are unable to obtain the name of an authorized service agency, or if you continue to have service problems, contact Viking Range, LLC at 1-888-(845-4641), or write to:

**VIKING RANGE, LLC
PREFERRED SERVICE
111 Front Street
Greenwood, Mississippi 38930 USA**

Only authorized replacement parts may be used in performing service on the appliance. Do not repair or replace any part of the appliance unless specifically recommended in the manual. All other servicing should be referred to a qualified technician.

Record the following information indicated below. You will need it if service is ever required. The serial number and model number for your appliance are located on the identification plate mounted behind the top light.

Model Number _____

Serial Number _____

Date of Purchase _____ Date Installed _____

Dealer's Name _____

Address _____



Viking Range, LLC
111 Front Street
Greenwood, Mississippi 38930 USA
(662) 455-1200

For product information,
call 1-888-(845-4641)
or visit our web site at vikingrange.com

080505-000 EN

(101524)

