

# PARAMOUNT DESIGNER RANGE SERIES (SDRBS)

48 in. 6.7 cu. ft. Dual Fuel Range with 8-Burner Gas Cooktop and Electric Double Oven

**ZLINE**  
ATTAINABLE LUXURY®

## SDRBSZ-48-MBCB

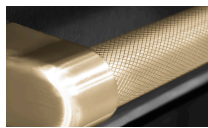
Black Satin Stainless Steel



Black Satin Stainless Steel Range Base Finish



Champagne Bronze Knob Rings and Matte Black Knobs



Champagne Bronze Helix Handles

### GENERAL PROPERTIES

SKUs	SDRBSZ-48-MBCB
Base Finish	Black Satin Stainless Steel
Accent Finish	Matte Black and Champagne Bronze
Fuel Type	Convection Electric Oven-Gas Cooktop
Burners	8 Brass Burners
Mount Type	Free Standing
Timer	No
Material	430 Grade Stainless Steel
Grates	Modern
Certification	ETL Certified

### DIMENSIONS AND WEIGHT

Product Dimensions	47 7/8" W x 27 3/4" D x 36" H
Cutout Dimensions	48 1/8" W x 24 3/4" D x 36" H
Product Weight	419 lb (190.05 kg)

### COOKTOP FEATURES

Cooktop	Porcelain With Electronic Spark Ignition For All Burners
---------	--

### COOKTOP BTU (Electronic Ignition and Auto Re-ignition)

Back Left: (Semi-Rapid)	9,000 BTU
Back Right: (Rapid)	12,000 BTU
Back Right (Middle: Semi-Rapid)	9,000 BTU
Back Left (Middle: Rapid)	12,000 BTU
Front Left: (Auxiliary)	6,000 BTU
Front Middle: (Dual)	20,000 BTU
Front Right: (Dual)	20,000 BTU
Front Right (Middle: Auxiliary)	6,000 BTU

### FEATURES AND BENEFITS

**Italian-Made Auto Re-ignition Burners:** 8 Italian-made gas burners utilize automatic re-ignition innovation for improved temperature control and cooktop safety.

**Horizon Oven Windows:** Keep a watchful eye on your baking dishes through ZLINE's Horizon oven door design that features 2 large viewing windows.

**Powerful Convection Cooking:** Handle multiple bakes with ease with a high-speed and high-wattage convection fan that maintains precise heat distribution inside the large oven.

**Dual Function Burners:** 2 Dual Function Burners allow you to simmer at 800 BTU or perfectly sear at 20,000 BTU.

**Dual Fuel Flexibility:** Enjoy the benefits of dual fuel cooking with a high-powered gas cooktop and 2 electric ovens with high-grade heating elements that ensure consistent temperature ranges.

**Large Oven Capacity:** An expansive oven capacity of 6.7 cu. ft. fits pans up to 20 in. wide in the larger oven and 10 in. wide in the smaller oven for maximum space and convenience.

**Premium Oven Insulation:** A 3-layered glass door on both ovens with large viewing windows and aluminum mesh seals offer superior heat retention and consistent temperatures.

**Smooth Glide Ball-Bearing Oven Racks:** 4 durable ball bearing racks, 2 inside each oven, provide extra convenience and ease when working with larger dishes.

**LP Conversion Kit:** Comes equipped with an LP conversion kit to convert from natural gas to liquid propane (must be done by a professional), offering versatility with your cooking preference.

### OVEN FEATURES

(Lg) Oven Interior Dimensions	24 7/8" W x 17 3/4" D x 16" H
(Sm) Oven Interior Dimensions	13 3/8" W x 17 3/4" D x 16" H
Self-Clean	No
Oven Lighting	(3) Halogen
Oven Features	Bake, Broil, Convection Bake
Convection Fan	Yes (Large Oven Only)
Number of Racks	4
Child Lock	No

### OVEN WATTAGE

(Lg) Broil Output	4200 W
(Lg) Bake Output	3000 W
(Sm) Oven Bake / Broil Output	Bake 1600 W / Broil 2000 W

### ELECTRICAL REQUIREMENTS

240 V / 60 Hz / 35 A Dedicated Circuit

### WARRANTY

**Manufacturing Warranty:** 1-year parts and labor.

**Italian Burners and Spark Tips:** Limited Lifetime Warranty.

*Limited Lifetime includes: parts replacements for burners, burner caps, and parts and labor for the spark tip if parts prove to be defective in materials or workmanship.*

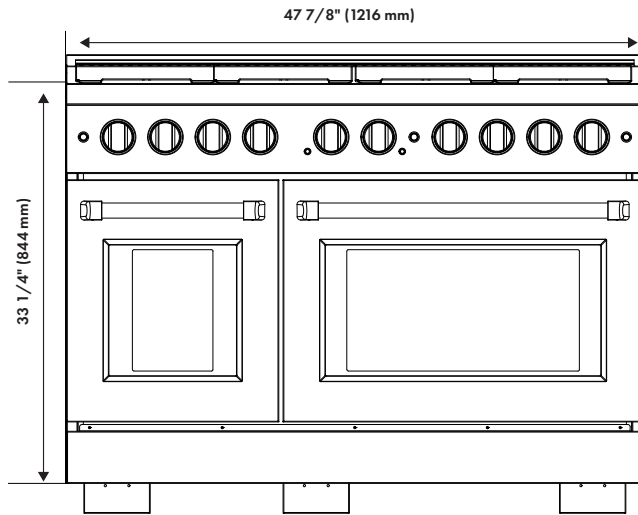
*\*Appliance protection plans sold separately, contact for more information.*

# PARAMOUNT DESIGNER RANGE SERIES (SDR)

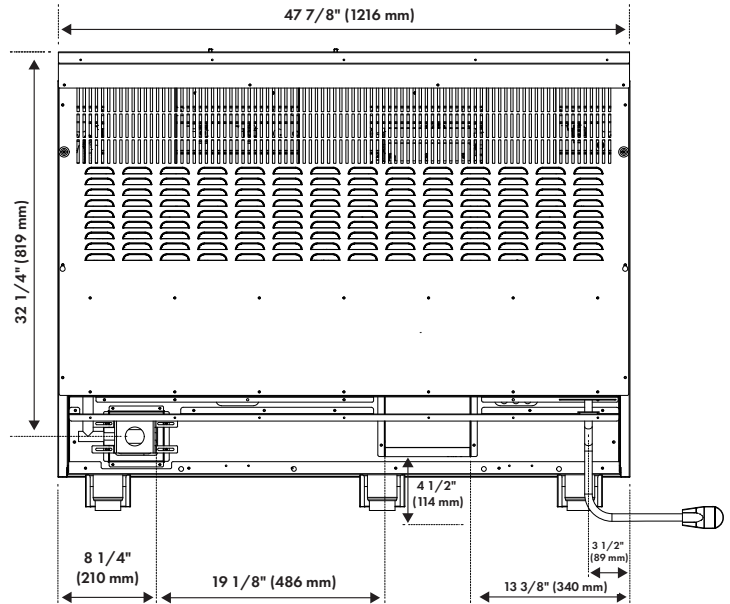
48 in. 6.7 cu. ft. Dual Fuel Range with 8-Burner Gas Cooktop and Electric Double Oven

**ZLINE**  
ATTAINABLE LUXURY®

FRONT VIEW



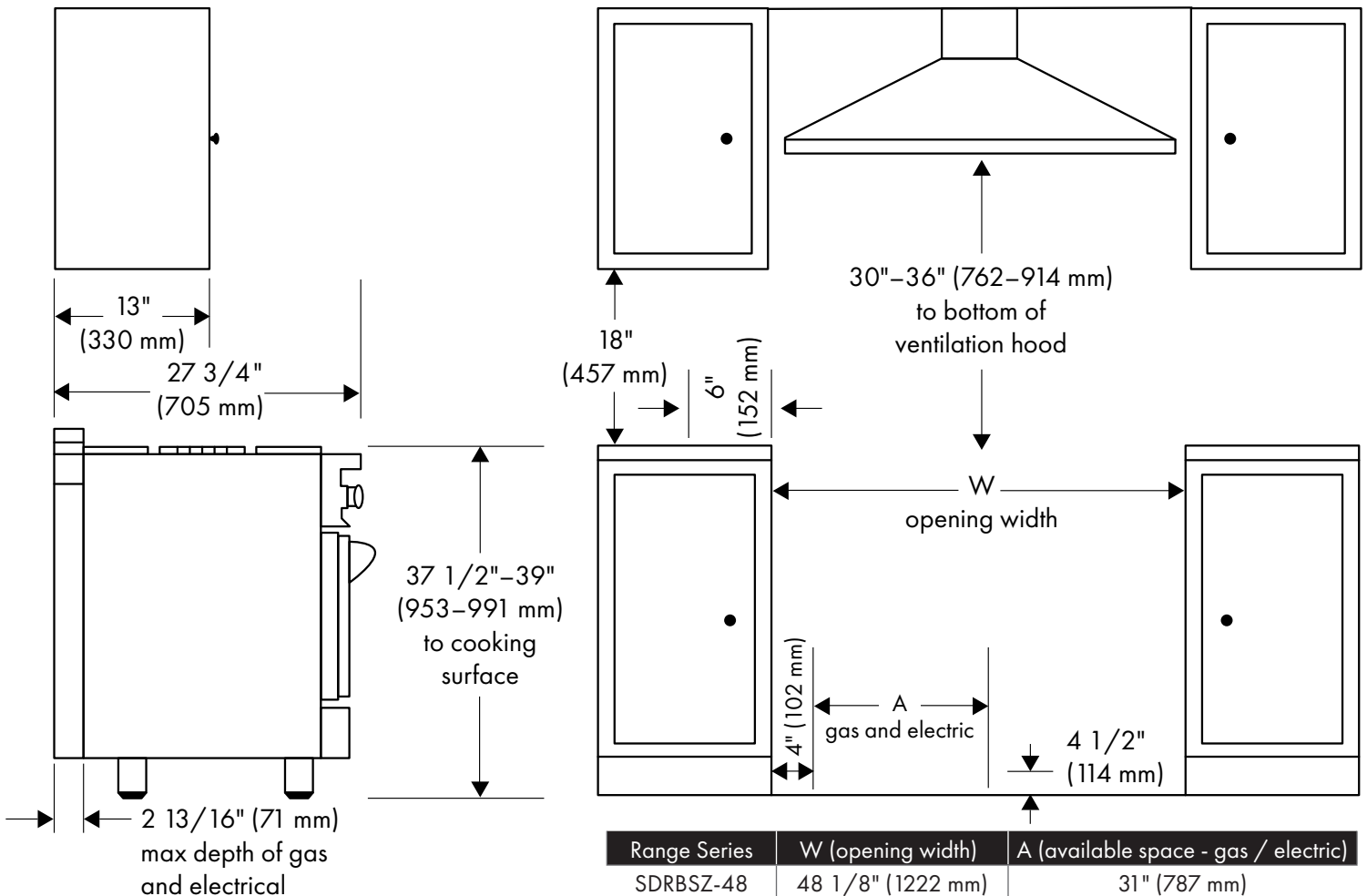
BACK VIEW



## INSTALLATION RESOURCES

Installation / User Manual

[Click Here](#)

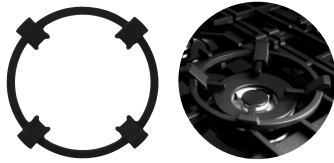


Range Series	W (opening width)	A (available space - gas / electric)
SDRBSZ-48	48 1/8" (1222 mm)	31" (787 mm)

# ZLINE KITCHEN ACCESSORIES

Range + Kitchen Compatible Accessories

**ZLINE**  
ATTAINABLE LUXURY®



Cooktop Wok Ring | RA-005A



Cleaner/Polish | STCLT-8



Reversible Cast Iron Griddle | SR-GRNS



German Steel  
15 Piece Knife Set | KSETT-GS-15



German Steel  
3 Piece Knife Set | KSETT-GS-3



Japanese Damascus  
3 Piece Knife Set | KSETT-JD-3



10-Piece  
Stainless Steel  
Cookware Set | CWSETL-ST-10



10-Piece Stainless  
Steel and Ceramic  
Cookware Set | CWSETL-NS-10



5-Piece Black  
Matte Enameled  
Cast Iron Set | CWSETS-BLM-5



5-Piece White  
Matte Enameled  
Cast Iron Set | CWSETS-WM-5

## CONTACT INFORMATION



### PHONE

**Customer Service**  
1-614-777-5004

**Dealer Assistance**  
1-833-597-2461



### HOURS OF OPERATION

**Customer Service**  
Monday–Friday 6:00am–4:30pm CST

**Dealer Assistance**  
Monday–Friday 7:00am–4:00pm CST



### EMAIL

**Customer Service**  
contact@zlinekitchen.com

**Dealer Assistance**  
dealer@zlinekitchen.com