

# INSTALLATION INSTRUCTIONS

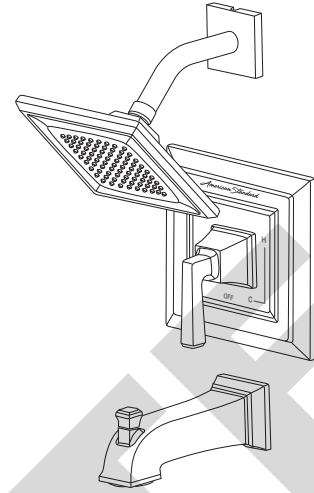
## TU45550X

### Town Square® S Pressure Balancing Bath and Shower Trim Kit

Thank you for selecting American Standard... the benchmark of fine quality for over 140 years.

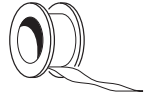
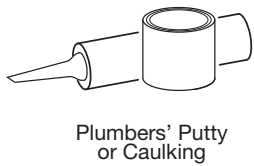
To ensure that your installation proceeds smoothly-please read these instructions carefully before you begin.

For use with shower heads rated at 4.9 L/min (1.3 gpm) or higher.



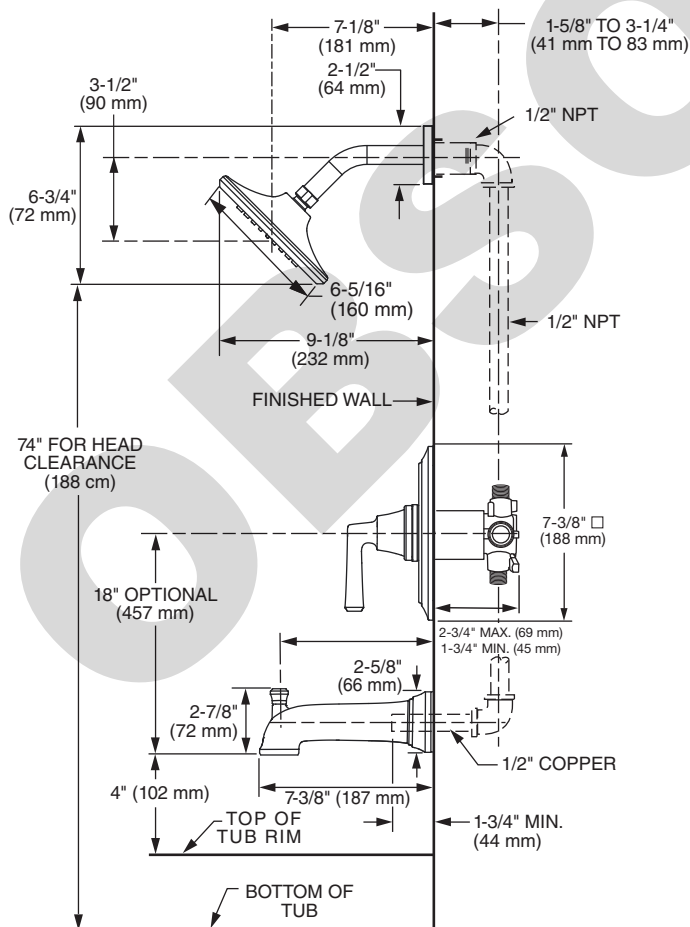
Certified to comply with ANSI A112.18.1M

#### RECOMMENDED TOOLS



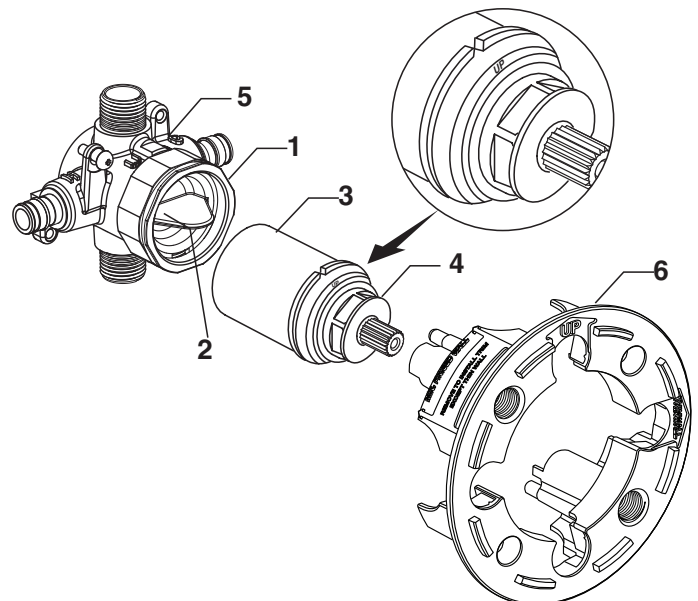
#### ROUGHING-IN DIMENSIONS

- To assure proper positioning in relation to wall. Note roughing-in dimensions.



#### 1 CARTRIDGE INSTALLATION

- Remove **PLASTER GUARD (6)** (Keep it installed for thin wall Installation).
- Remove **BONNET NUT (1)** by unthreading it Counter clockwise. Remove test **CAP (2)**.
- Remove **PROTECTIVE HOUSING (3)** from **CARTRIDGE (4)**. Install with "UP" text on top.
- Reinstall **BONNET NUT (1)** onto **VALVE BODY (5)** and hand tighten.



## 2 INSTALL VALVE TRIM (STANDARD WALL INSTALLATION)

- **Figure 1.** Push CAP (1) over VALVE CARTRIDGE (2) until seated against stop.
- **Figure 2.** Make sure O-RING (6) is secure within ESCUTCHEON HOLDER (3). Push ESCUTCHEON HOLDER (3) onto CAP (1) and attach with LONG SCREWS (4).
- **Figure 3.** Install ESCUTCHEON (7) onto CAP (1) and push flush against finished wall. ESCUTCHEON (7) will snap fit onto ESCUTCHEON HOLDER (5).

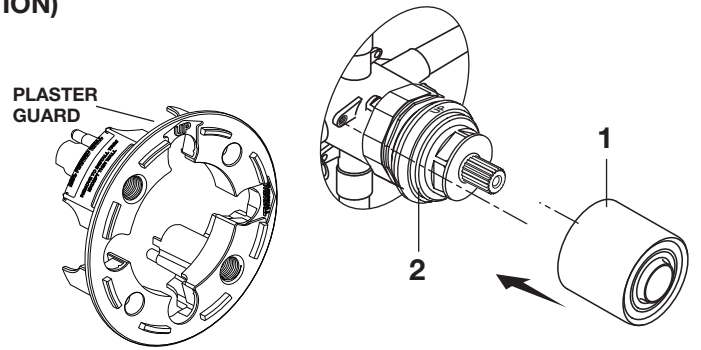


Figure 1.

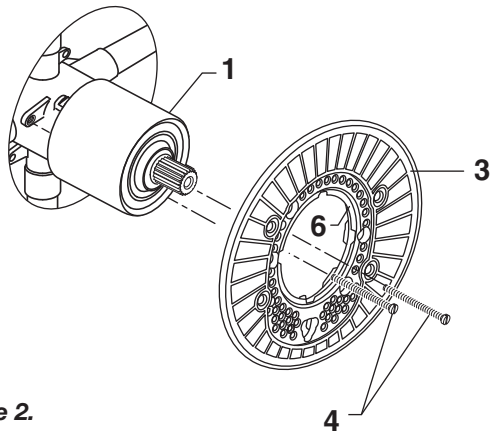


Figure 2.

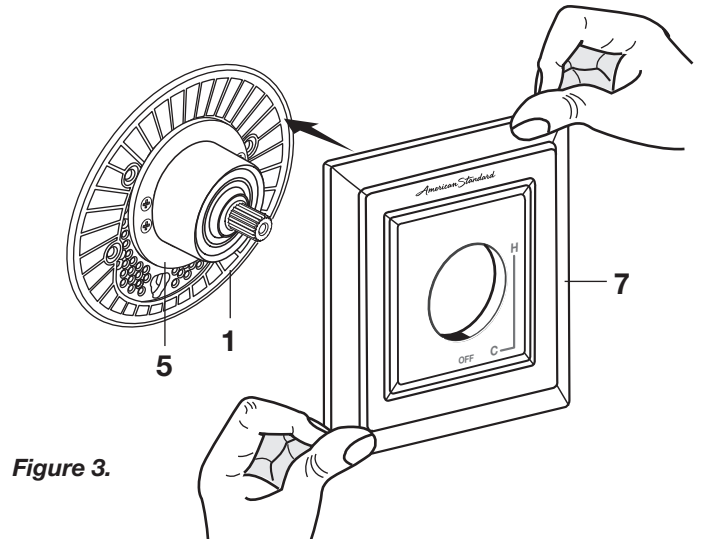


Figure 3.

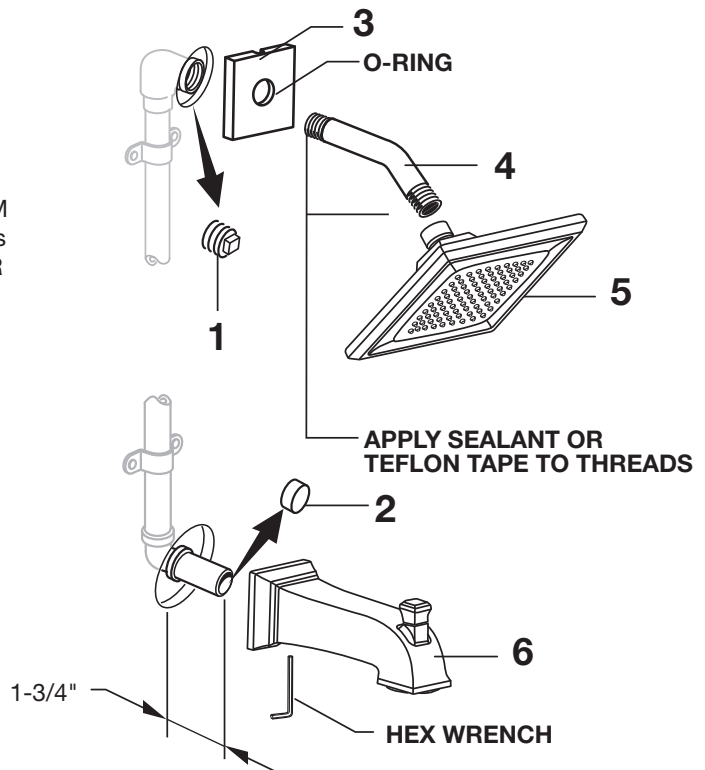
## 3 INSTALL, TUB SPOUT, SHOWER HEAD, SHOWER ARM WITH FLANGE

**CAUTION** Protect finish on SHOWER HEAD and TUB SPOUT when installing.

**Note:** Apply sealant or Teflon Tape to shower arm.

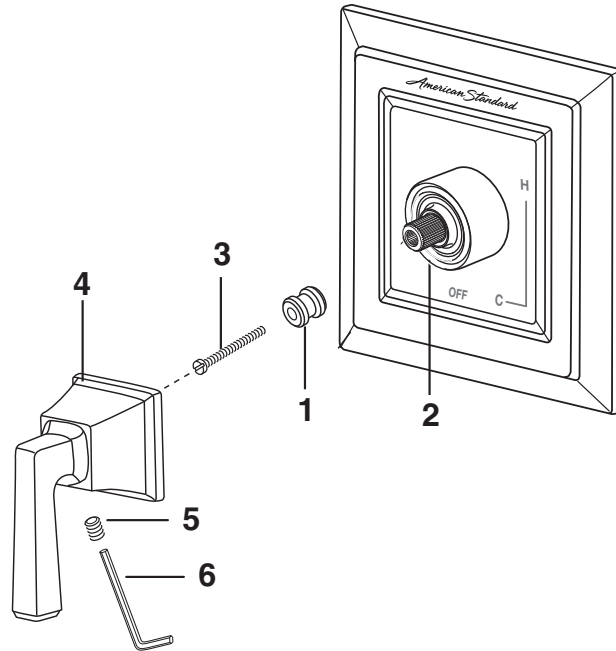
- Remove PIPE PLUG and CAP (1, 2) from shower pipe and tub filler pipe.
- Install SHOWER ESCUTCHEON (3) onto SHOWER ARM (4). Apply sealant or Teflon tape to threads on both ends of SHOWER ARM (4) and thread longer leg of SHOWER ARM (4) into shower elbow.
- Thread SHOWER HEAD (5) onto SHOWER ARM (4). Install TUB SPOUT (6). Tighten with HEX WRENCH supplied.

**Important:** Do not overtighten Set Screw.



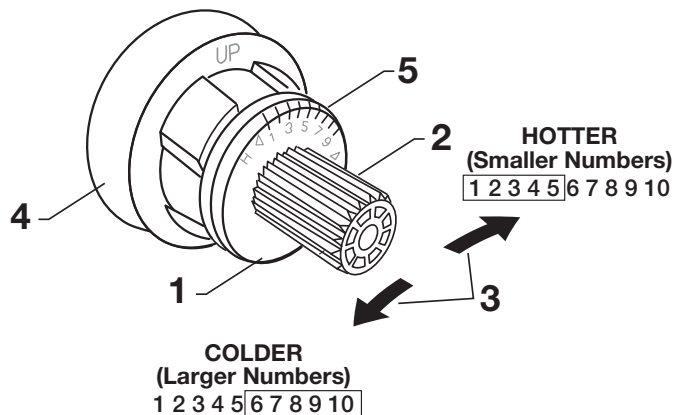
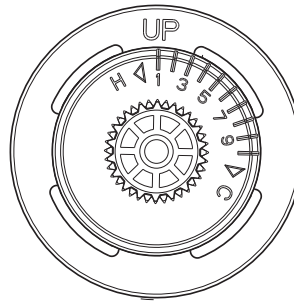
## 4 INSTALL HANDLE

- Hold ADAPTER (1) onto VALVE STEM (2) and install ADAPTER SCREW (3) through ADAPTER (1) into VALVE STEM (2). Tighten ADAPTER SCREW (3) to secure ADAPTER (1) to VALVE STEM (2).
- Install HANDLE BASE (4) onto ADAPTER (1). Insert SET SCREW (5) into HANDLE BASE (4). Align HANDLE BASE (4) and tighten with HEX WRENCH (6) supplied.



## 5 ADJUST HOT LIMIT STOP

- By restricting HANDLE rotation and limiting the amount of hot water allowed to mix with the cold, the HOT LIMIT SAFETY STOP (1) reduces risk of accidental scalding. To set the maximum hot water temperature of your faucet valve, adjust the setting on the HOT LIMIT SAFETY STOP (1).
- Turn CARTRIDGE STEM (2) to the OFF position (coldest setting) before making adjustment to HOT LIMIT STOP (1). Pull forward and rotate counterclockwise one number to limit hot water temperature. Use NUMBERS (5) on CARTRIDGE (4) on HOT LIMIT STOP (1) for indication.



## 6 SERVICE

### TO GAIN ACCESS TO VALVE FOR SERVICING

**CAUTION** Turn off hot and cold water supplies before beginning.

- Remove HANDLE (see step 3 and reverse).
- Remove ESCUTCHEON and CARTRIDGE CAP (see step 1 and reverse).

### VALVE LEAKS WHEN SHUT OFF

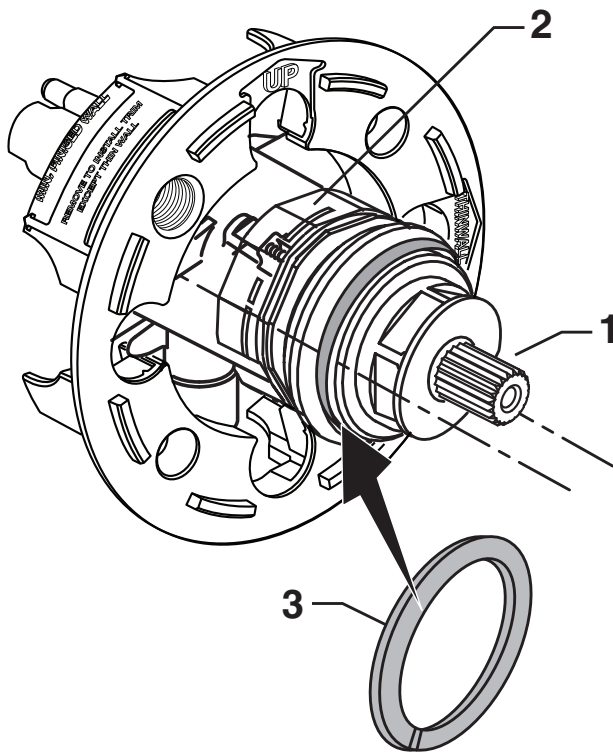
- Remove CARTRIDGE, see STEP 1 and STEP 2 and REVERSE process.
- Clean SEALS on the side of CARTRIDGE. Clean inside sealing surface of VALVE BODY.
- Re-assemble CARTRIDGE. Install trim. Turn on water supply and check for leaks.

### REPLACING CARTRIDGE

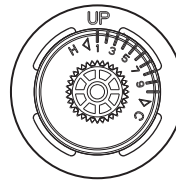
- To remove CARTRIDGE (1), install split WASHER (3) between the ridge on the cartridge and the bonnet nut. (only supplied with replacement cartridge).
- Proceed to unthread BONNET NUT (2) counter clockwise.  
**Note:** CARTRIDGE (1) should be pulling out while unthreading BONNET NUT (2).
- Upon removal of the old Cartridge, install a new cartridge and secure it with BONNET NUT (Hand tighten).

### BACK TO BACK INSTALLATION

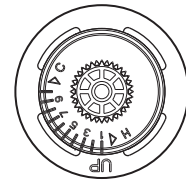
- Remove CARTRIDGE (B) as detailed in steps above.
- Remove PIN (A) from CARTRIDGE (B) by pulling.
- Separate MANIFOLD (C) from CARTRIDGE (B) by pulling.
- Rotate CARTRIDGE (B) 180 degrees and reinstall MANIFOLD (C) with PIN (A).
- The "UP" TEXT (D) should now be facing downward during installation of the CARTRIDGE (B).



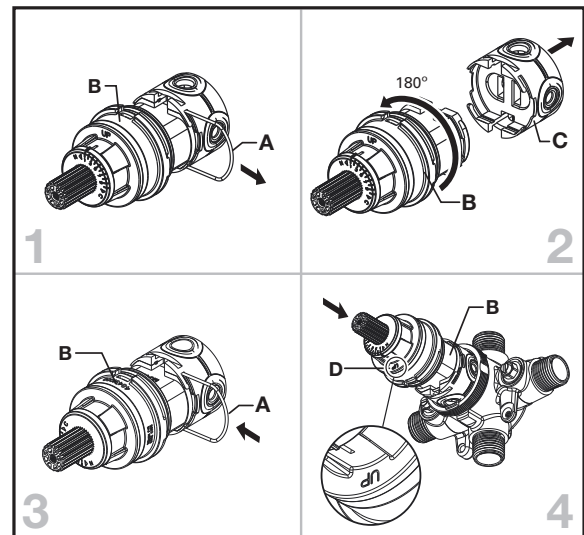
*Standard*



*Back to Back*



### BACK TO BACK INSTALLATION



## 7 CARE INSTRUCTIONS:

**DO: SIMPLY RINSE THE PRODUCT CLEAN WITH CLEAR WATER. DRY WITH A SOFT COTTON FLANNEL CLOTH.**

**DO NOT: DO NOT CLEAN THE PRODUCT WITH SOAPS, ACID, POLISH, ABRASIVES, HARSH CLEANERS, OR A CLOTH WITH A COARSE SURFACE.**

# American Standard

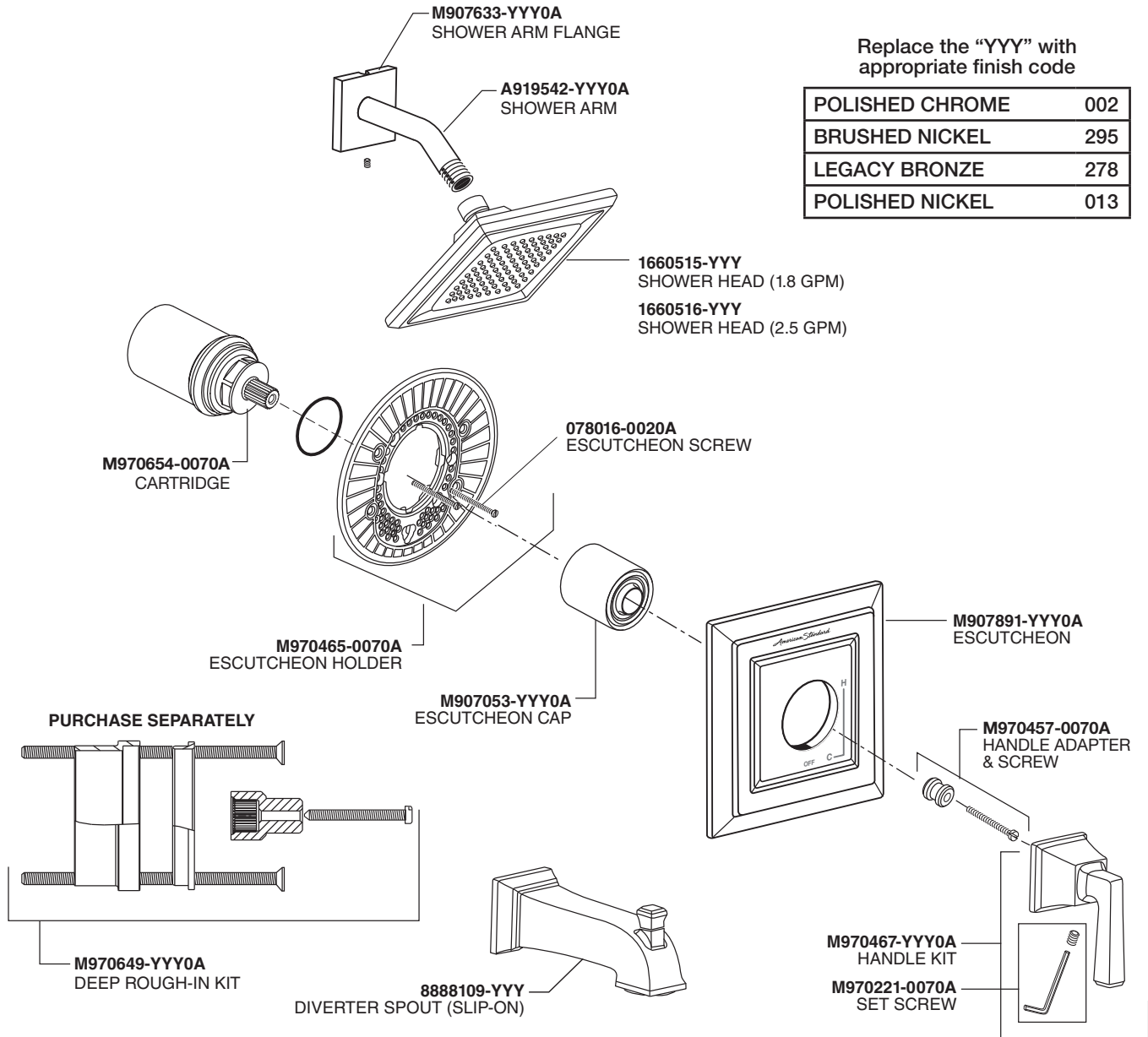
## Town Square® S Pressure Balancing Bath and Shower Trim Kit

MODEL NUMBER

**TU45550X**

Replace the "YYY" with  
appropriate finish code

POLISHED CHROME	002
BRUSHED NICKEL	295
LEGACY BRONZE	278
POLISHED NICKEL	013



### HOT LINE FOR HELP

For toll-free information and answers to your questions, call:  
1 (800) 442-1902

Mon. - Fri. 8:00 a.m. to 8:00 p.m. EST

Saturday 10:00 a.m. to 4:00 p.m. EST

IN CANADA 1-800-387-0369

(TORONTO 1-905-306-1093)

Weekdays 8:00 a.m. to 7:00 p.m. EST

IN MEXICO 01-800-839-1200



PART OF **LIXIL**