

ID-24R



## FEATURES

Crispers and deli drawers in low-temp, high-humidity zones for optimum freshness

Every Sub-Zero integrated refrigerator or freezer comes ready to be fitted with custom panels and handles for seamless installation with surrounding cabinetry

Smart-touch controls for streamlined access to more settings

Soft-close doors and drawers

Soft-on LED lights for varying degrees of brightness

Rigorously tested in our U.S. manufacturing facilities to ensure at least 20 years of heavy use

Exceptional 24/7 support from our Customer Care team based in Madison, Wisconsin and just footsteps from our factory

## ACCESSORIES

Dual installation kits

Dozen egg container

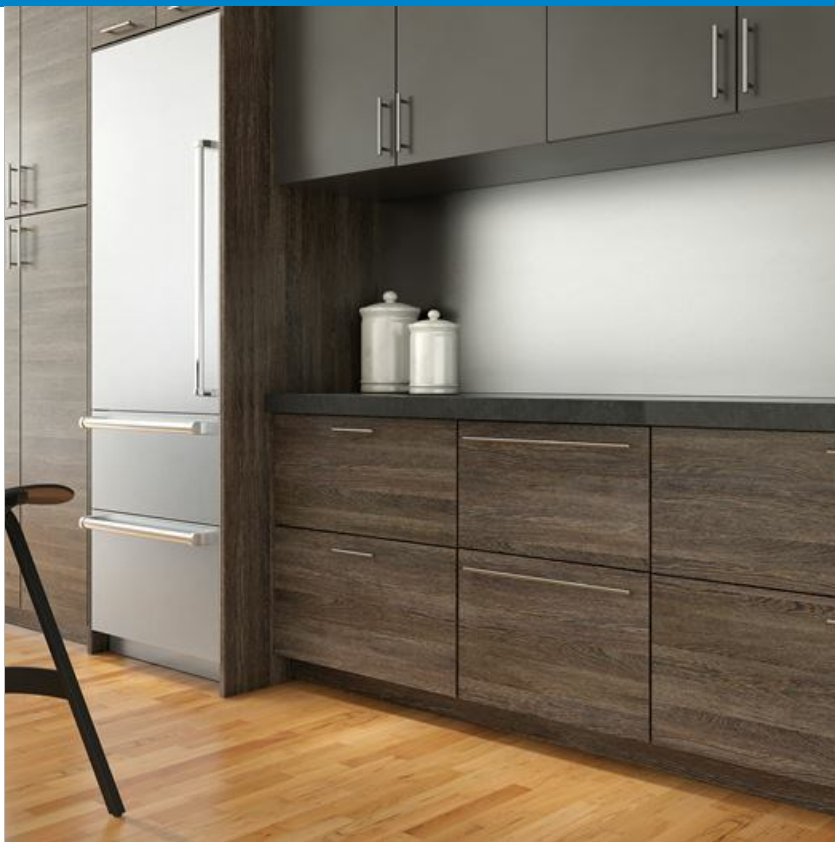
Stainless steel front panels with tubular or pro handles

Stainless steel kickplate

Stainless steel pro handles

Stainless steel tubular handles

accessories-are-available-through-an-authorized-sz-dealer



## HANDLE ACCESSORIES

PRO



TUBULAR



## PRODUCT-DETAILS

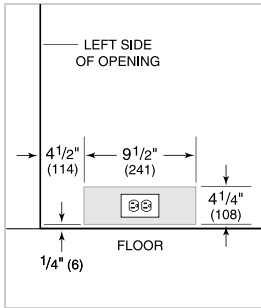
### REFRIGERATOR

- Adjustable drawer dividers

**PRODUCT-SPECIFICATIONS**

model	ID-24R
dimensions	24"W x 34 1/2"H x 24"D
drawer-clearance	18 3/8"
weight	170 lb
refrigerator-capacity	4 cu ft
electrical-supply	115 VAC, 60 Hz
electrical-service	15 amp dedicated circuit

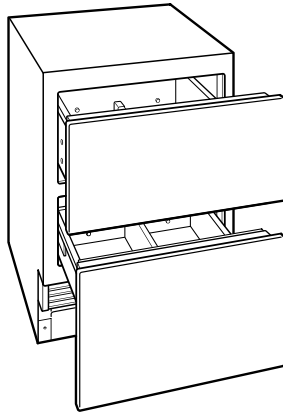
**ELECTRICAL**



**PANEL-SPECIFICATIONS**

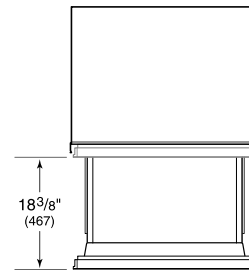
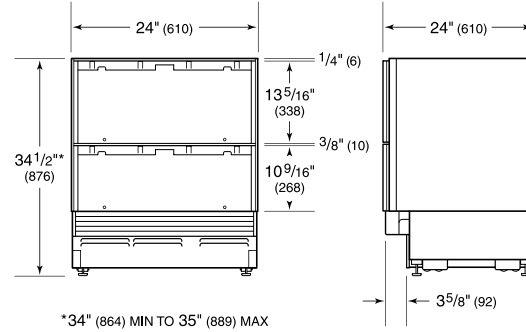
For complete panels specifications including width/height, weight requirements and thickness requirements visit [subzero-wolf.com/integratedconfigurator](http://subzero-wolf.com/integratedconfigurator).

**INTERIOR-VIEW**

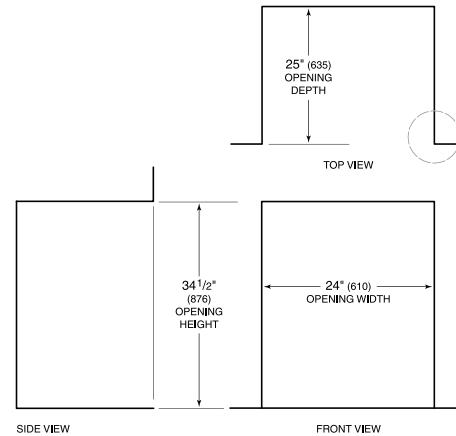


this-illustration-is-intended-for-interior-reference-only-not-represent-the-exterior

**DIMENSIONS**



**STANDARD INSTALLATION**



NOTE: 3 1/2" (89) finished returns will be visible and should be finished to match cabinetry.

