

# MP-WP125-B

## Media Presentation Wall Plate - RCA Component & Composite Video w/2x RCA Stereo Audio, Black

Media Presentation Wall Plates complete the total Crestron® package, ensuring end-to-end Crestron quality for every installation. A range of wall plates is offered to support all types of analog and digital video, audio, and control signals. The MP-WP125 model features eight (8) gold-plated RCA connectors, color-coded and labeled for separate component and composite video and stereo audio. Bulkhead type feed-thru connectors are used, providing female RCA connections at the rear of the wall plate, facilitating installation using standard RCA cables.

### ACCESSORIES

**CBL-RCA3-1.5:**  
**CBL-KAUDIO-RCAM2-L-P-50:**  
**CBL-AUDIO-RCAF-0.5:**  
**CBL-RCA-1.5:**  
**CBL-RCA2-1.5:**  
**CBL-KAV-RCAM3-L-P-50:**  
**CBL-RCA3-12:**  
**CBL-RCA3-3:**  
**CBL-RCA3-6:**  
**CBL-RCA-12:**  
**CBL-RCA-3:**  
**CBL-RCA-6:**  
**CBL-RCA2-12:**  
**CBL-RCA2-3:**  
**CBL-RCA2-6:**  
**CONN-MCOAX-BNC-50:**  
**CONN-MCOAX-RCA-50:**  
**FP-G1-A-S:**  
**FP-G1-B-S:**  
**FP-G1-W-S:**



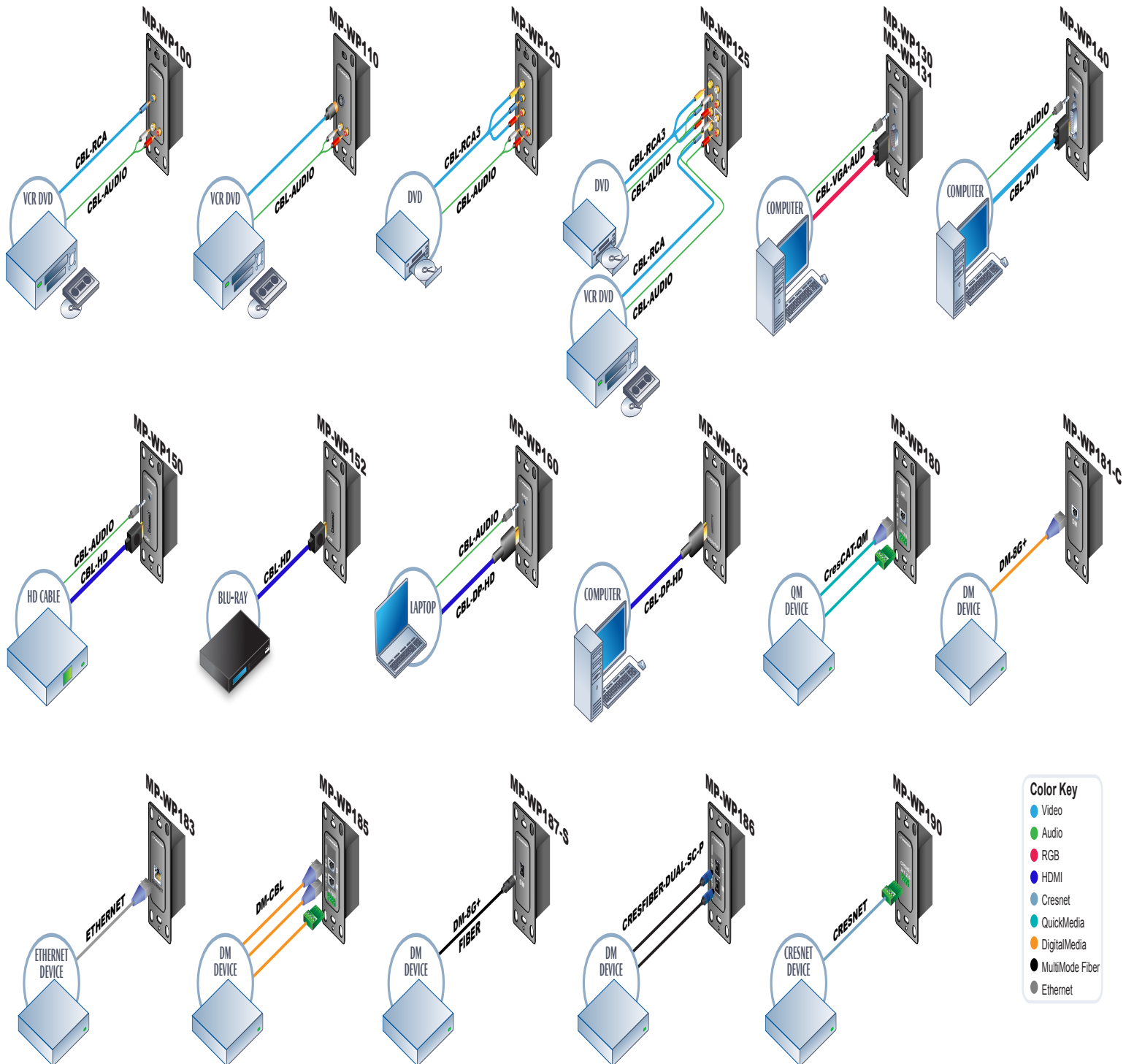
area. A list of sales representatives is available online at [www.crestron.com/salesreps](http://www.crestron.com/salesreps) or by calling 800-237-2041.

Crestron and the Crestron logo are trademarks or registered trademarks of Crestron Electronics, Inc. in the United States and other countries. Other trademarks and trade names may be used in this document to refer to either the entities claiming the marks and names or their products. Crestron disclaims proprietary interest in the marks and names of others. ©2011 Crestron Electronics, Inc.

# MP-WP125-B

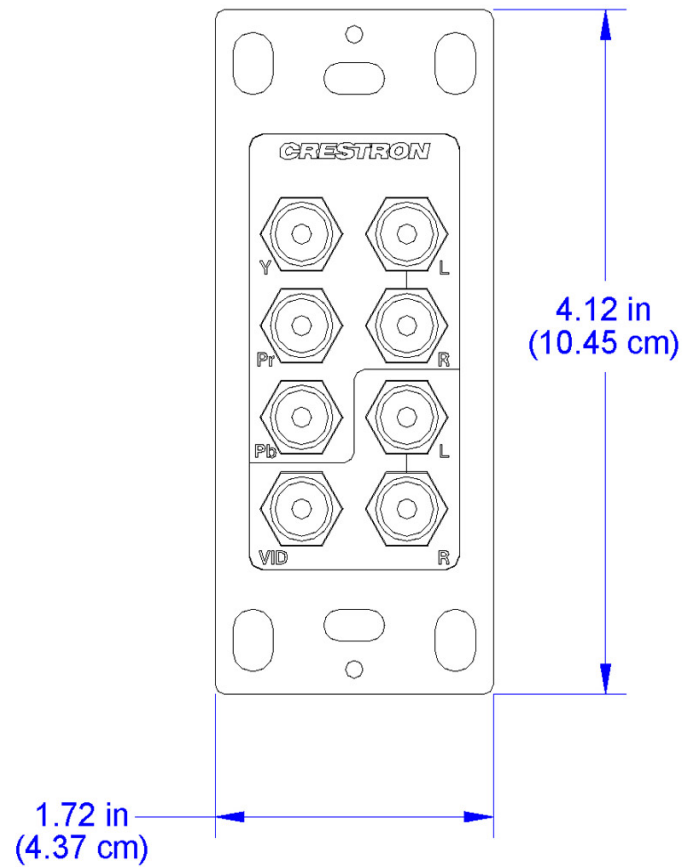
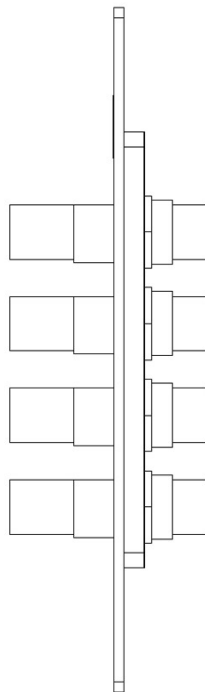
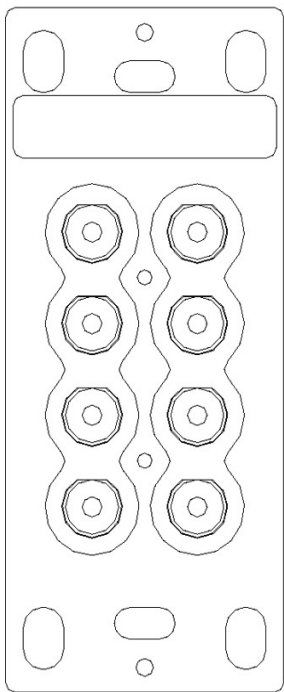
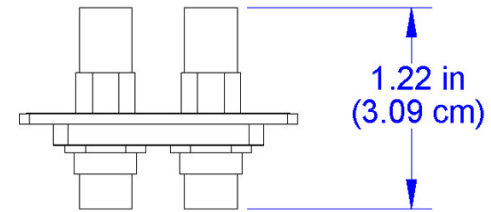
Media Presentation Wall Plate - RCA Component &

## Media Presentation Wallplates



# MP-WP125-B

## Media Presentation Wall Plate - RCA Component &



# MP-WP125-B

## Media Presentation Wall Plate - RCA Component &

