

# 36" Electric Cooktop

800 Series – Black with Stainless Steel Frame NET8668SUC



**BOSCH**  
Invented for life



**NET8668SUC**  
Black with Stainless  
Steel Frame

Also available in:  
Frameless NET8668UC

**The 800 Series electric cooktop is sleek in design, and features SpeedBoost® which adds even more power to speed up the cooking process.**

## Features & Benefits

Bridge element accommodates oblong pans and many diameters of cookware.

Each zone's timer automatically shuts off when cooking is done.

SpeedBoost® offers shorter heat-up times for liquids.

PreciseSelect® offers 17 different direct cooking level settings.

## Element Performance

Power of Front Left heating element	1,800 W
Power of Back Left heating element	1,800 W
Power of Center heating element	3,600 / 1,400 W
Power of Back Right heating element	1,200 W
Power of Front Right heating element	1,900 / 800 W

## Element Size

Dimension of Front Left heating element	7"
Dimension of Back Left heating element	7"
Dimension of Center heating element	9", 6"
Dimension of Back Right heating element	6"
Dimension of Front Right heating element	8", 5"

## Technical Details

Watts	10,200 W
Circuit breaker	50 A
Volts	208-240 V
Frequency	60 Hz
Plug type	No plug
Energy source	Electric

## Dimensions & Weight

Overall appliance dimensions (HxWxD)	1/4" +4" x 37" x 21 1/4"
Required cutout size (HxWxD)	4" x 34 7/8" x 20"
Minimum distance from counter front	2 1/4"
Minimum distance from rear wall	2"
Net weight	37 lbs

## Accessories – Optional



**HEZ390210**  
8" AutoChef® pan



**HEZ390220**  
9" AutoChef® pan



**HEZ390230**  
10" AutoChef® pan



**Accessories:** To purchase Bosch accessories, cleaners & parts please visit [www.bosch-home.com/us/store](http://www.bosch-home.com/us/store) or call 1-800-944-2904 (Mon to Fri 5 am to 6 pm PST, Sat 6 am to 3 pm PST).

**Notes:** All height, width and depth dimensions are shown in inches. BSH reserves the absolute and unrestricted right to change product materials and specifications, at any time, without notice. Consult the product's installation instructions for final dimensional data and other details prior to making cutout.

**Warranties:** Please see Use & Care manual or Bosch website for statement of limited warranty.

**For more information on our entire line of products, go to [www.bosch-home.com/us](http://www.bosch-home.com/us) or call 1-800-944-2904**

© BSH Home Appliances Corporation. All rights reserved. Bosch is a registered trademark of Robert Bosch GmbH.

# 36" Electric Cooktop

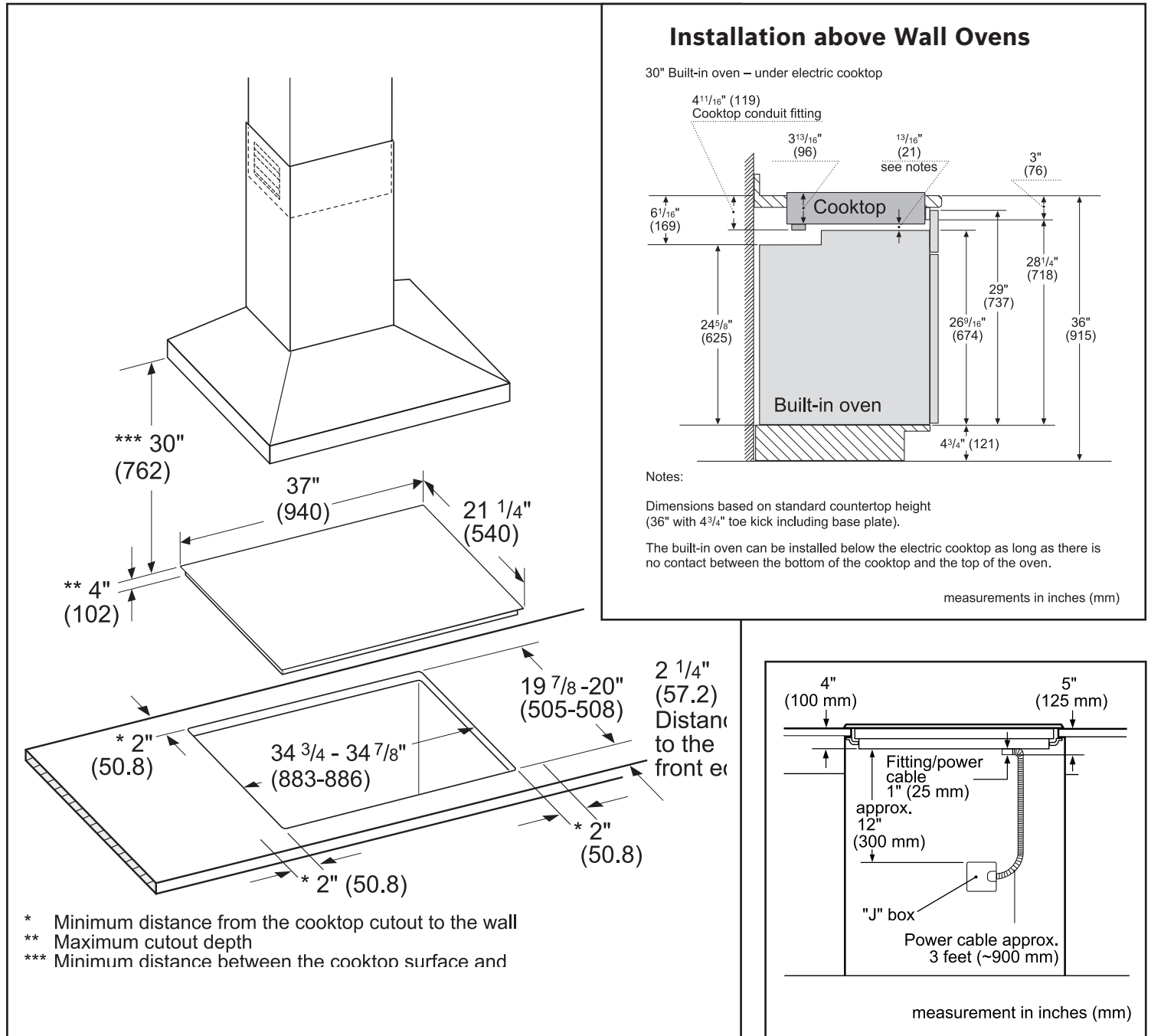
800 Series – Black with Stainless Steel Frame NET8668SUC



**BOSCH**

Invented for life

## Installation Details



**Accessories:** To purchase Bosch accessories, cleaners & parts please visit [www.bosch-home.com/us/store](http://www.bosch-home.com/us/store) or call 1-800-944-2904 (Mon to Fri 5 am to 6 pm PST, Sat 6 am to 3 pm PST).

**Notes:** All height, width and depth dimensions are shown in inches. BSH reserves the absolute and unrestricted right to change product materials and specifications, at any time, without notice. Consult the product's installation instructions for final dimensional data and other details prior to making cutout.

**Warranties:** Please see Use & Care manual or Bosch website for statement of limited warranty.

**For more information on our entire line of products, go to [www.bosch-home.com/us](http://www.bosch-home.com/us) or call 1-800-944-2904**

© BSH Home Appliances Corporation. All rights reserved. Bosch is a registered trademark of Robert Bosch GmbH.