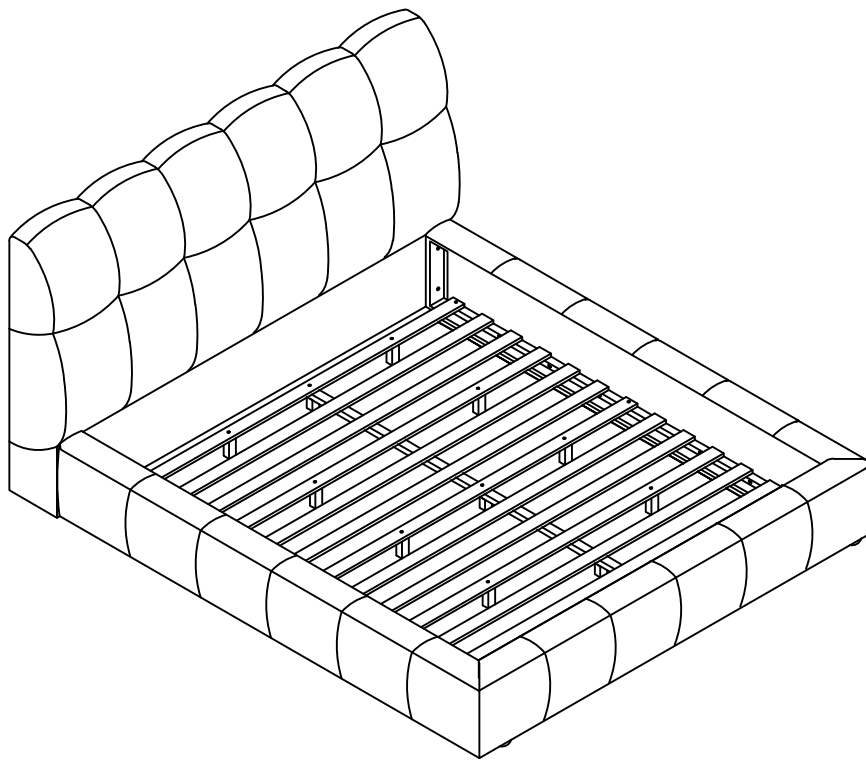


ASSEMBLY INSTRUCTIONS
COASTER FINE FURNITURE



Fine Furniture for every stage of life

315917GRYKE(B1 & B2)
Eastern King Bed

ITEM: 315917GRYKE(B1&B2)



ASSEMBLY INSTRUCTIONS

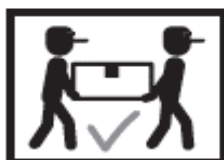
ASSEMBLY TIPS:

1. Remove hardware from box and sort by size.
2. Please check to see that all hardware and parts are present prior to start of assembly.
3. Please follow attached instructions in the same sequence as numbered to assure fast & easy assembly.



WARNING!

1. Don't attempt to repair or modify parts that are broken or defective. Please contact the store immediately.
2. This product is for home use only and not intended for commercial establishments.



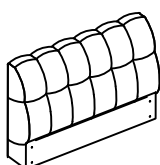
ASSEMBLY TIME

15 MINUTES

PARTS IDENTIFICATION

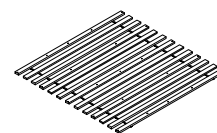
B1 (BOX 1)

A HEADBOARD



1PC

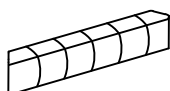
B ROLL SLAT (13PCS)



1SET

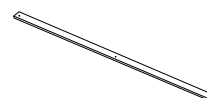
B2 (BOX 2)

C FOOTBOARD



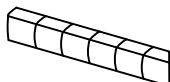
1PC

F CENTER RAIL



1PC

D LEFT BED RAIL



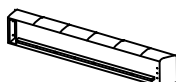
1PC

G CENTER RAIL SUPPORT WITH LEVELER



3PCS

E RIGHT BED RAIL



1PC

H BED SLAT SUPPORT WITH LEVELER

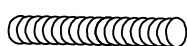


10PCS

HARDWARE IDENTIFICATION

Z-B2(BOX 2) - HARDWARE PACK IS LOCATED IN 315917GRYKE(B2)

1 **THREADED BOLT**
(Ø 5/16" x 90mm - BLK)



4PCS

6 **ALLEN WRENCH**
(M5 x 75mm x 32mm)



1PC

2 **BOLT**
(Ø 5/16" x 38mm - BLK)



12PCS

7 **WRENCH**
(14mm - BLK)



1PC

3 **HEX NUT**
(Ø 5/16" - BLK)



4PCS

8 **FLAT HEAD SCREW**
(M4 x 30mm - BLK)



9PCS

4 **LOCK WASHER**
(5/16" x 6.5mm - BLK)



16PCS

9 **METAL CLEAT**
(150 x 45 x 45 x 3mm - BLK)



2PCS

5 **FLAT WASHER**
(5/16" x 19mm - BLK)

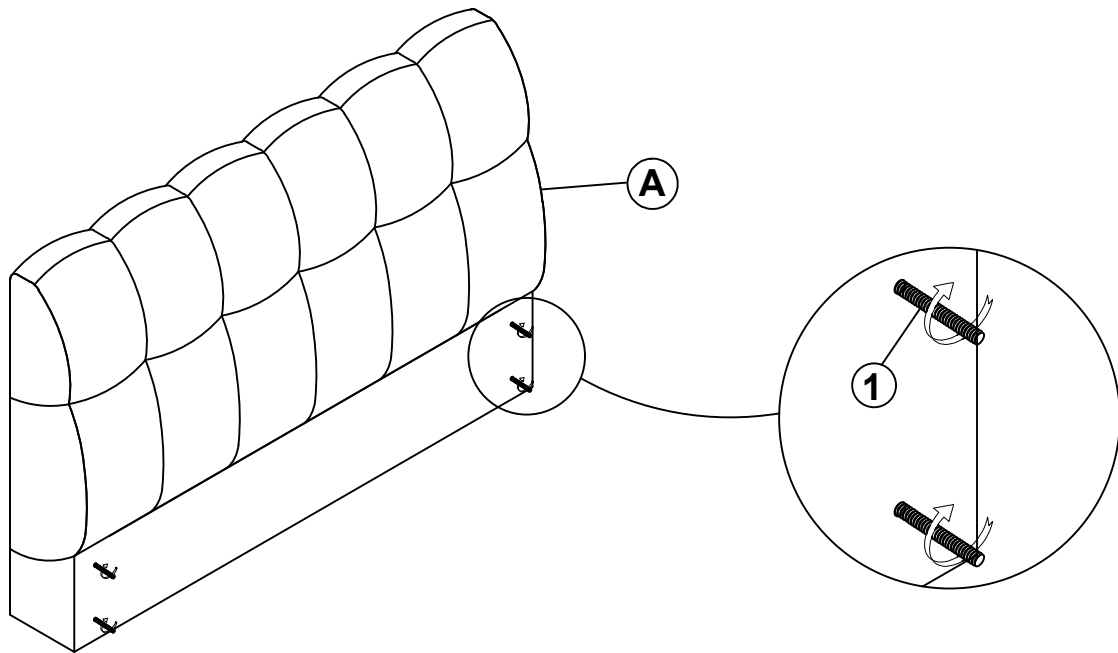


16PCS

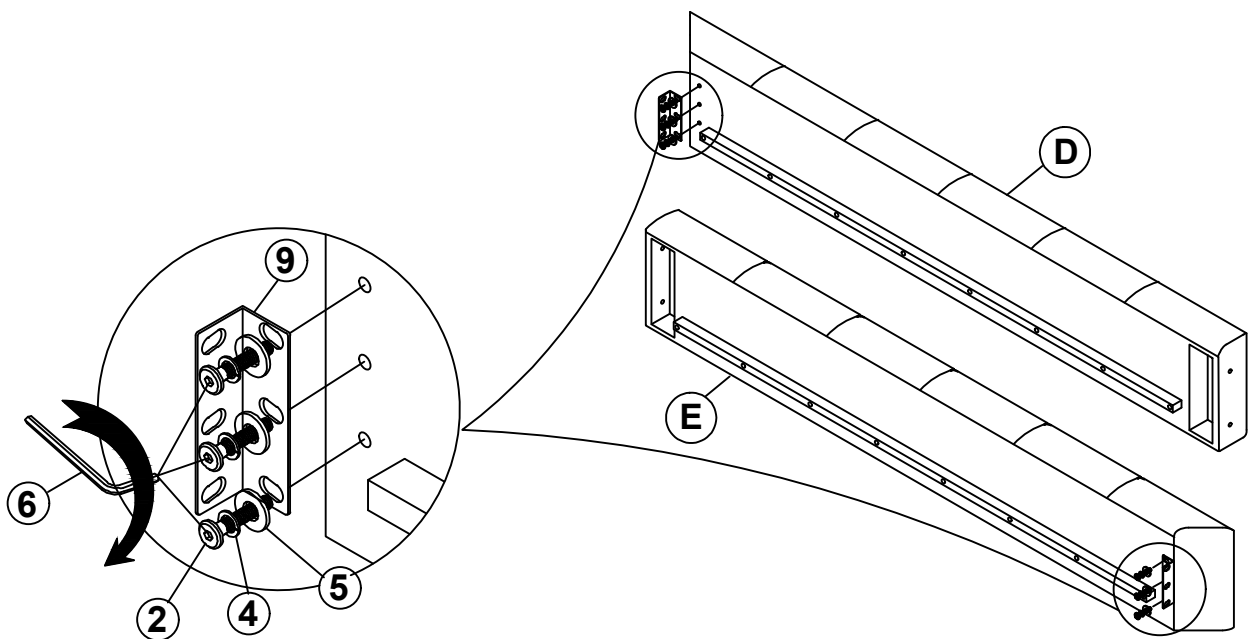
ITEM: 315917GRYKE(B1&B2)

ASSEMBLY INSTRUCTIONS

STEP 1



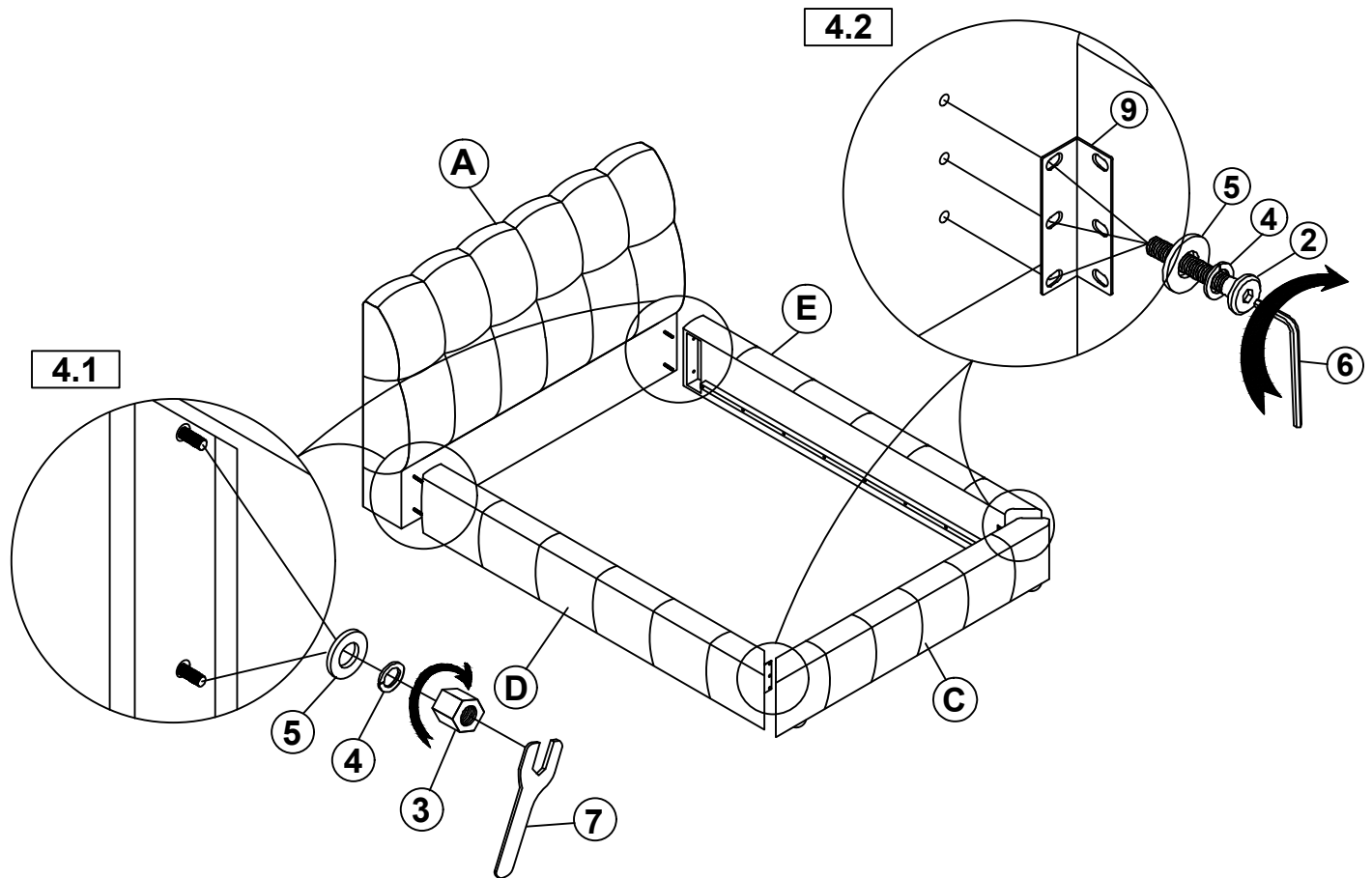
STEP 2



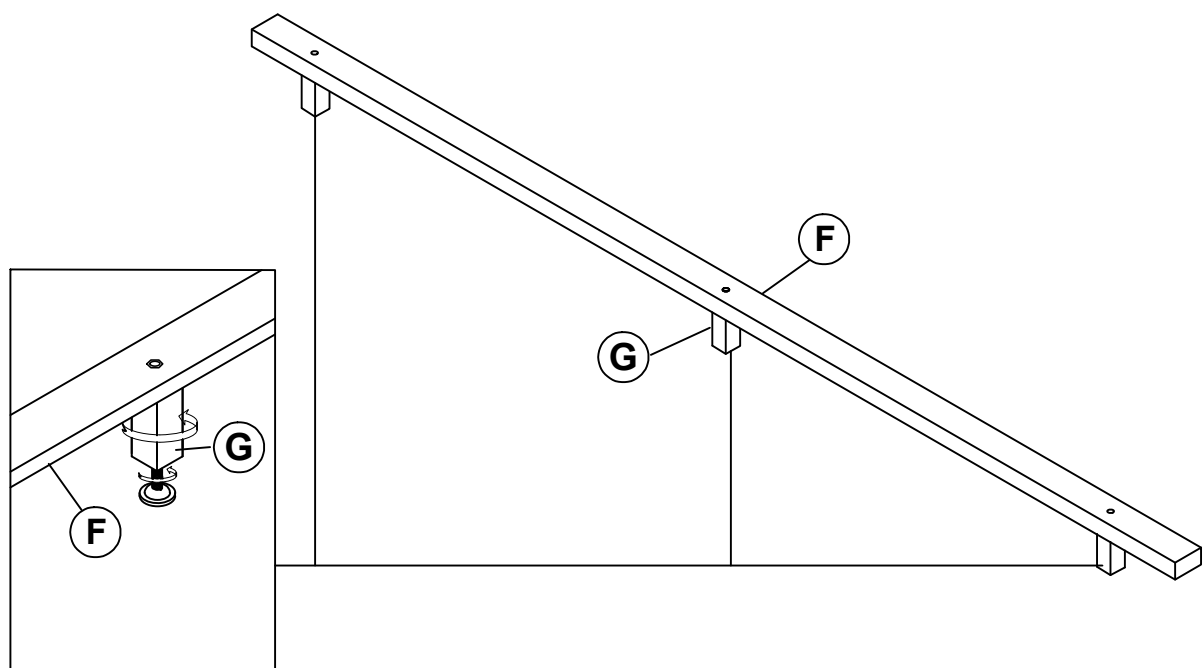
ITEM: 315917GRYKE(B1&B2)

ASSEMBLY INSTRUCTIONS

STEP 3



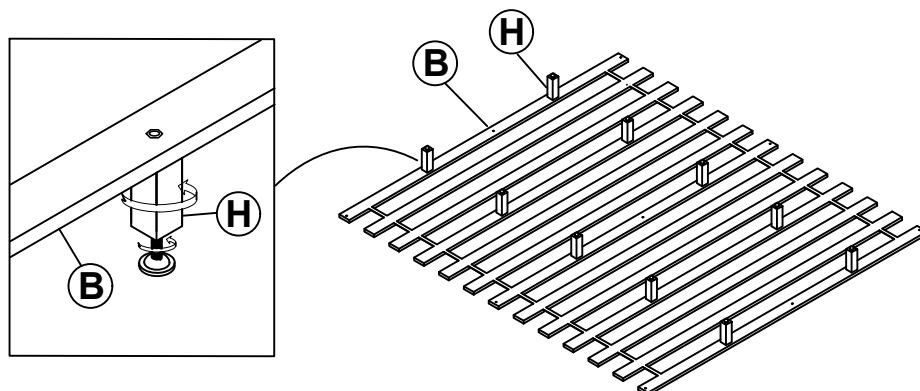
STEP 4



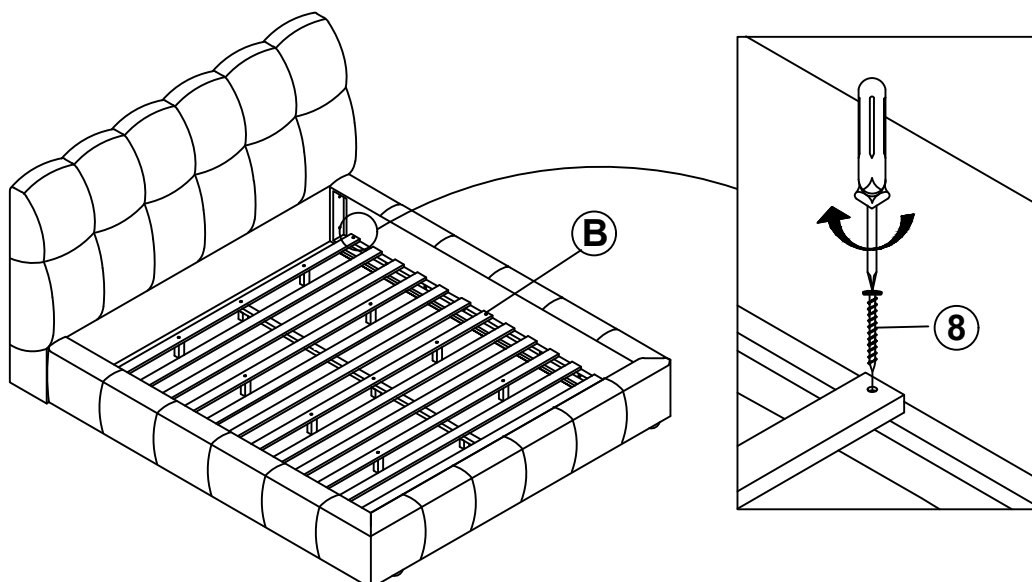
ITEM: 315917GRYKE(B1&B2)

ASSEMBLY INSTRUCTIONS

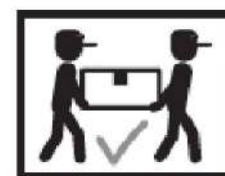
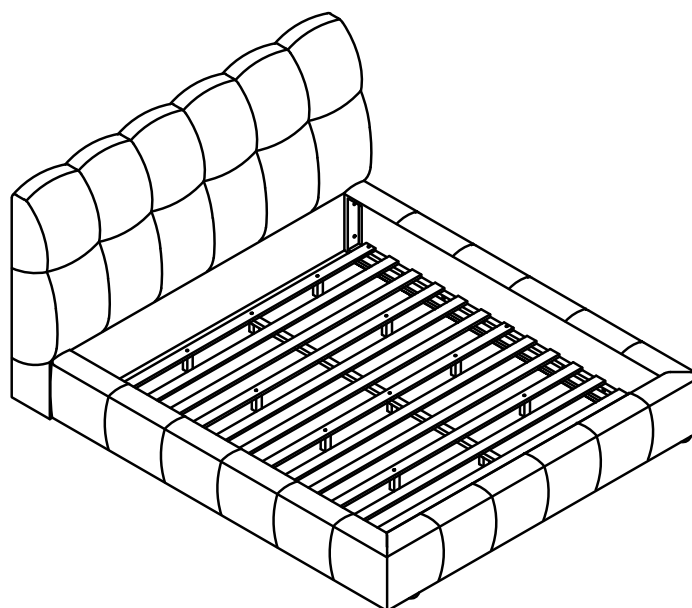
STEP 5



STEP 6



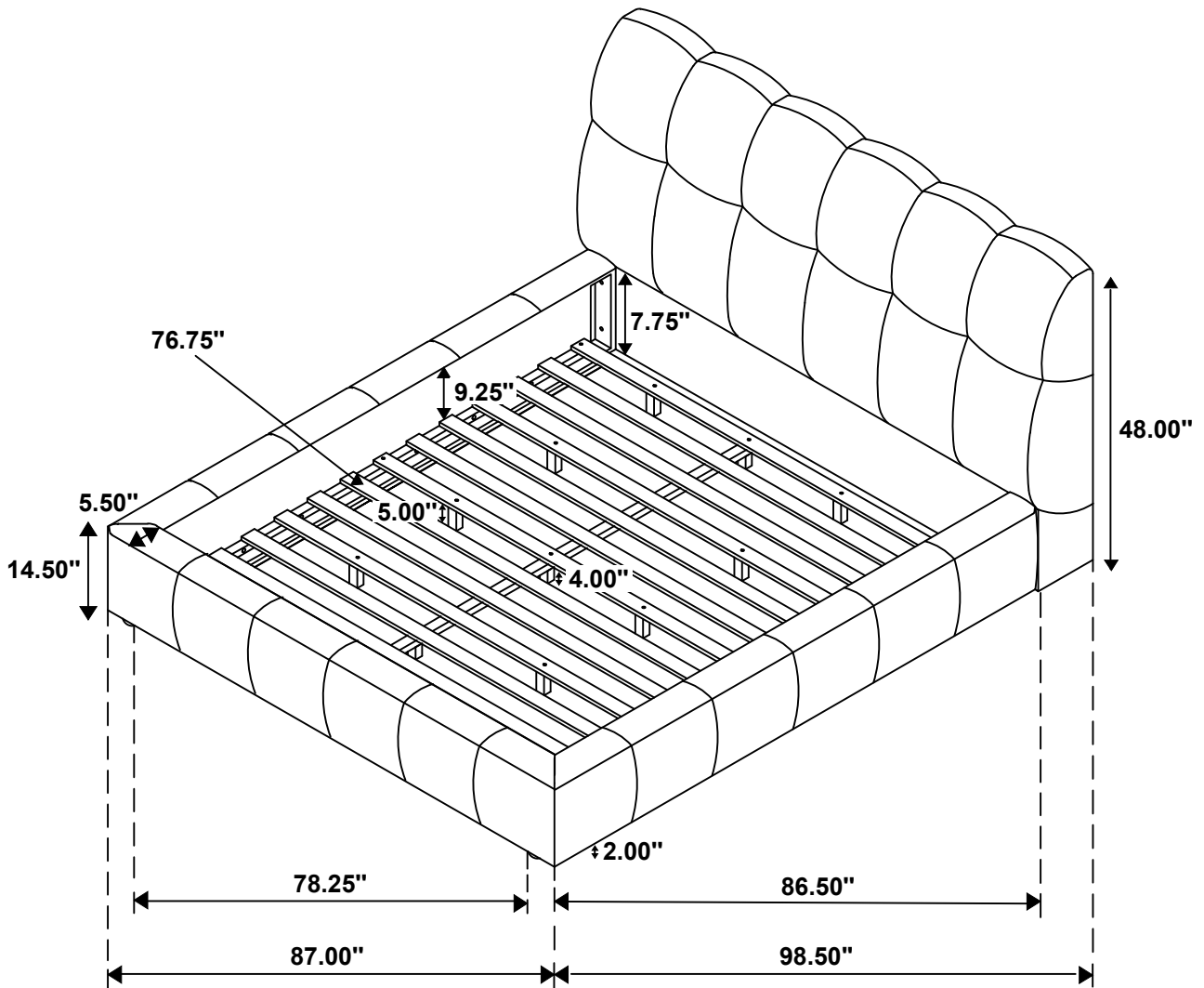
STEP 7 **COMPLETE**



ITEM: 315917GRYKE(B1&B2)



Inner Size: 77.00"W X 81.00"D



Note : Dimension tolerance $\pm 5\%$