

Integrated Dishwasher, Tall, Sanitize

Series 5 | Integrated

Panel Ready

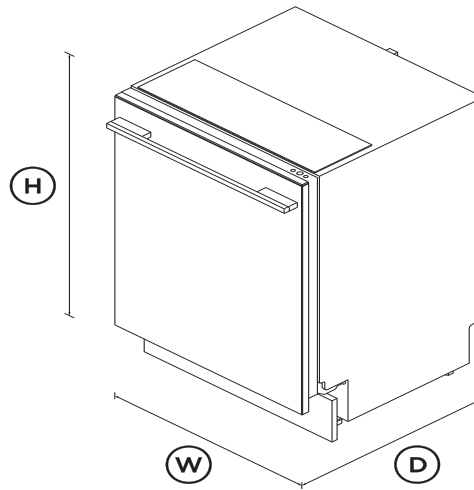


Designed to be integrated seamlessly into your cabinetry, this dishwasher delivers extra wash options and Auto Door Open Dry.

- Customize with your own front panel and handle to match your kitchen cabinetry
- Seven wash programs from Heavy to Light, including Auto and 60min
- Dry+, Sanitize and Half Load modifiers provide extra wash options
- Wi-Fi enabled and works with the SmarthQ™ app for remote control and notifications

DIMENSIONS

Height	33 3/4 - 36 1/8"
Width	23 1/2"
Depth	21 13/16"



FEATURES & BENEFITS

SEAMLESS INTEGRATION

Customize your dishwasher with a panel and handle matching your cabinetry, for a seamless finish in your kitchen.

EFFORTLESS DRYING

For beautifully dry dishes, this dishwasher features automatic door opening at the end of the cycle to release excess steam. Making unloading more convenient, the Auto Door Open Dry feature helps to ensure dishes come out dry and ready to use or

store.

A RELIABLE CLEAN

This dishwasher offers seven wash programs including Auto, which automatically senses the optimal wash settings for your dishes. The three-stage filtration system delivers a superior clean, while the rinse aid indicator reminds you to top up for beautifully clean dishes.

CUSTOMIZE YOUR WASH

The Half Load modifier is perfect for washing a partial load, for faster turnaround of dishes. Sanitize provides extra protection, killing 99.9% of bacteria* in the final rinse, while the Dry+ modifier is great for plastic dishes. *Certified to NSF/ANSI Standard 184

EFFICIENT PERFORMANCE

With an Energy Star Most Efficient rating, this dishwasher is recognised as among the most energy efficient models on the market. Use the Eco wash program for optimal water and energy consumption, or choose when the cycle begins with Delay Start.

FLEXIBLE LOADING

Designed to fit 15 place settings with ease, adjustable racks help you to load and care for various items – including a height-adjustable upper basket, and foldable cup holders and tines.

SPECIFICATIONS

Accessories

Contemporary round handle	AHS-OBDD-60S
Contemporary square fine	AHD5-OBDD-60S
Contemporary square handle	AHD3-OBDD-60S
Professional round flush handle	AHP3-DWDD-SX
Stainless steel door panel	ADDW24TPX

Capacity and loading

Accommodates round plates	12 9/16"
---------------------------	----------

Accommodates round plates	9 13/16"
Adjustable height, foldable	•
Easy lift adjustable upper	•
Fold down tines	•
Fold down wine racks	•
Place settings	15

Consumption

Energy rating	Energy star Most efficient
Energy usage	224 kWh/year
Water usage (per wash cycle)	3.2 gal/cycle

Controls

Child lock	•
Energy saving delay start	•
Floor light cycle feedback	•
Internal wash selector	•
Intuitive capacitive touch	•
Rinse aid indicator light	•
Wi-Fi connectivity	•

Features

Air curtain for bench	•
Auto Door Open Dry	•
Flood protection	•
Half load option	•
Internal tub material	Stainless Steel
Motor type	Asynchronous
ThermoDry system	•

Three-stage filtration system	•
-------------------------------	---

Performance

Noise emissions	46dBA
-----------------	-------

Power requirements

Supply frequency	60Hz
Supply voltage	120V

Product dimensions

Depth	21 13/16"
Height	33 3/4 - 36 1/8"
Width	23 1/2"

Warranty

Parts and labor	Limited 2 years
-----------------	-----------------

Wash Program Modifiers

Dry +	•
Half-load	•
Sanitize	•
Wash modifiers	3

Wash Programs

60 min	•
Auto	•
Eco	•
Heavy	•
Light	•
Medium	•

Rinse	•
Wash programs	7





Water connection

Water pressure	Min 34.5 psi (5 kPa), max 22
----------------	------------------------------

SKU	82443
-----	-------

The product dimensions and specifications in this page apply to the specific product and model. Under our policy of continuous improvement, these dimensions and specifications may change at any time. You should therefore check with Fisher & Paykel's Customer Care Centre to ensure this page correctly describes the model currently available. ? Fisher & Paykel Appliances Ltd 2020

Other product downloads available at fisherpaykel.com

-  [Service & Warranty](#)
-  [User Guide Integrated Dishwasher](#)
-  [Energy Label Dishwasher](#)
-  [Installation Guide Built Under Dishwasher](#)
-  [Preliminary Specification Guide Dishwasher](#)



A PEACE OF MIND SALE

24 Hours 7 Days a Week Customer Support

T 1.888.936.7872 W www.fisherpaykel.com