

*Installation*

# INSTRUCTIONS

Pro Harmony<sup>®</sup>, Pro Grand<sup>®</sup>, and Pro Rangetop Propane (LP) Conversion Kit



*Installation*

# INSTRUCTIONS

Pro Harmony<sup>®</sup>, Pro Grand<sup>®</sup>, and Pro Rangetop Propane (LP) Conversion Kit

Table of contents (English) ..... 3  
Table de matières (Français) ..... 24  
Índice (Español) ..... 45

**Models |  
Modèles |  
Modelos:**

- PALPKITHW
- PALPKITHA5
- PALPKITGA
- PALKITHW5
- PALPKITDGW
- PALPKITGGW
- PALPKITGA6

## Table of contents

<b>IMPORTANT SAFETY INSTRUCTIONS</b> .....	<b>4</b>
<b>Propane (LP) gas conversion instructions</b> .....	<b>6</b>
Before you begin .....	6
Checklist .....	7
<b>Installation procedure</b> .....	<b>9</b>
Disassembling the rangetop .....	9
Converting the regulator to LP .....	9
Changing "D" and "F" STAR burner orifices only	10
Changing "B" STAR burners (305 models only)	
and/or "D" and "F" STAR burners .....	11
Propane (LP) burner orifice conversion tables .....	11
Changing the broil orifice, on GAS ranges only ..	15
Changing the bake orifice, on GAS ranges only .	17
Checking for gas leaks .....	19
Checking the flame and burner performance ....	20
Setting the STAR burner valve screws .....	21
Placing the conversion label .....	22
<b>Support, accessories, and parts</b> .....	<b>back page</b>

## Safety definitions

**⚠ WARNING:** This indicates that death or serious injuries may occur as a result of non-observance of this warning.

**⚠ CAUTION:** This indicates that minor or moderate injuries may occur as a result of non-observance of this warning.

**NOTICE:** This indicates that damage to the appliance or property may occur as a result of non-compliance with this advisory.

**Note:** This alerts you to important information and/or tips.

*This Thermador® appliance is made by*  
 BSH Home Appliances Corporation  
 1901 Main Street, Suite 600  
 Irvine, CA 92614

*Questions?*

1-800-735-4328

www.thermador.com or www.thermador.ca

*We look forward to hearing from you!*

# ⚠ IMPORTANT SAFETY INSTRUCTIONS

## READ AND SAVE THESE INSTRUCTIONS


### Please read carefully

Save the original gas parts for possible conversion back in the future.

**Important:** Only a qualified service technician or installer should make this conversion.

**Installer:** Please leave these instructions with this unit for the owner.

**Owner:** Please retain these instructions for future reference.

 <p><b>WARNING</b></p> <p>If the information in this manual is not followed exactly, a fire or explosion may result causing property damage, personal injury, or death.</p>
<p>-- DO NOT store or use gasoline or other flammable vapors and liquids in the vicinity of this or any other appliance.</p> <p>-- WHAT TO DO IF YOU SMELL GAS</p> <ul style="list-style-type: none"><li>• DO NOT try to light any appliance.</li><li>• DO NOT touch any electrical switch.</li><li>• DO NOT use any phone in your building.</li><li>• Immediately call your gas supplier from a neighbor's phone. Follow the gas supplier's instructions.</li><li>• If you cannot reach your gas supplier, call the fire department.</li></ul> <p>-- Installation and service must be performed by a qualified installer, service agency or the gas supplier.</p>

This kit is for converting Thermador appliances for operation with propane (LP) gas. This kit contains orifices for proper LP conversion for oven bake, broiler, and top surface STAR<sup>®</sup> burners.

A High Altitude kit is required for propane (LP) units installed at altitudes of 10,000 ft. (3,048 m) and greater elevation above sea level. Please see the back cover for information about service, parts, and accessories.

This kit is used to convert select models of Pro Rangetop, Pro Harmony, and Pro Grand ranges to propane (LP) gas usage. This kit cannot be used to convert older models of rangetops or ranges. This kit cannot be used to convert any other brand of appliance.

---

### WARNING



This conversion kit shall be installed by a qualified service agency in accordance with the manufacturer's instructions and all applicable codes and requirements of the authority having jurisdiction. In any case, the installation of this conversion kit must conform with local codes or, in the absence of local codes, with the National Fuel Gas Code, ANSI Z223.1/NFPA 54 or, in Canada, the Natural Gas and Propane Installation Code, CSA B149, latest edition. If the information in these instructions is not followed exactly, a fire, explosion or production of carbon monoxide may result causing property damage, personal injury, or loss of life. The qualified service agency is responsible for the proper installation of this kit. The installation is not proper and complete until the operation of the converted appliance is checked as specified in the manufacturer's instructions supplied with the kit.

---

### WARNING

**Never Operate the Top Surface Cooking Section of this Appliance Unattended**

- Failure to follow this warning statement could result in fire, explosion, or burn hazard that could cause property damage, personal injury, or death.
- If a fire should occur, keep away from the appliance and immediately call your fire department. **DO NOT ATTEMPT TO EXTINGUISH AN OIL/GREASE FIRE WITH WATER.**

---

### For Massachusetts installations

1. Installation must be performed by a qualified or licensed contractor, plumber, or gas fitter qualified or licensed by the state, province or region.
2. Shut-off valve must be a "T" handle gas cock.
3. Flexible gas connector must not be longer than 36 inches.



# ⚠️ IMPORTANT SAFETY INSTRUCTIONS

## READ AND SAVE THESE INSTRUCTIONS

The following must be met when testing supply piping system:

- The appliance and its individual shut-off valve must be disconnected from the gas supply piping system at test pressures in excess of 1/2 psig (3.5 kPa).
- The appliance must be isolated from the gas supply piping system by closing its individual manual shut-off valve during any pressure testing of the gas supply piping system at test pressures equal to or less than 1/2 psig (3.5 kPa).

---

### CAUTION

When connecting the unit to propane gas, make certain the propane gas tank is equipped with its own high pressure regulator. The maximum gas pressure to this appliance is not to exceed 14.0 inches water column (3.5 kPa) from the propane gas tank regulator.

---

The minimum propane (LP) gas supply pressure for the checking of the gas appliance pressure regulator, when converted for use with propane gas, must be between 11 inches water column (2.7 kPa) and 14 inches water column (3.5 kPa). Please refer to p. 9 on to how to properly convert the gas pressure regulator for use with propane (LP) gas.

---

### WARNING

Never leave the gas conversion partially completed. If the appliance is operated while the gas conversion is incomplete, high levels of carbon monoxide may be emitted, or a fire or explosion may occur, causing property damage, personal injury, or death.

---

Save the original natural gas orifices removed from the appliance for future use. Make sure that you carefully mark and label these orifices, indicating the correspondent burner from which they were removed.

To convert the appliance back for use with natural gas, follow these instructions exactly, but replacing the propane gas orifices with the original natural gas ones. Carefully match their correspondent burners as previously marked and labeled.

### To the service agent

It is important that you know the following **BEFORE** you begin the conversion of the appliance.

- Confirm that the gas supply system is available and ready to use. This is particularly important for new construction.
- Verify the type of gas supplied to the location. Ensure that the appliance is connected to the type of gas for which it is certified.
- You must plan for sufficient time and resources to perform the conversion process properly and completely before leaving the job site. Every step described in these instructions must be performed to safely convert the appliance for proper operation with propane (LP) gas. **INCOMPLETE OR INADEQUATE CONVERSION OF THE APPLIANCE CAN CREATE A SAFETY HAZARD.**

### Proposition 65 Warning

This product may contain a chemical known to the State of California, which can cause cancer or reproductive harm. Therefore, the packaging of your product may bear the following label as required by California:

**State of California Proposition 65 Warning:**

⚠️ **WARNING**

Cancer and Reproductive Harm -  
[www.P65Warnings.ca.gov](http://www.P65Warnings.ca.gov)

# Propane (LP) gas conversion instructions

## Before you begin

### ⚠ CAUTION

Before proceeding with the conversion, shut off the gas supply to the appliance prior to disconnecting the electrical power.

Disconnect the appliance from electrical power by unplugging the electrical cord from its receptacle or by disconnecting power at the circuit breaker box.

### Tools needed

- T-20 star-head driver
- 7/16" box end wrench
- 13/16" box end wrench
- 7 mm or a 9/32" socket
- 1/4" nut driver
- 16 mm hex bit or 5/8" hex bit
- T-30 star-head driver
- 1/2" offset box end wrench
- 9 mm hex bit
- 9/32" open end wrench
- 7/8" socket or 7/8" open end wrench
- Adjustable wrench
- Soap and water mixture or leak-check solution

### Pro Grand propane (LP) burner orifice conversion kits

PALPKITDGW	For all Pro Grand dual fuel ranges
PALPKITGGW	For all Pro Grand gas ranges

### Pro Harmony ranges and Pro Rangetops propane (LP) burner orifice conversion kits

PALPKITHW	For Pro Harmony dual fuel ranges and Pro Rangetops with 4 and 6 STAR® burners
PALKITHW5	For Pro Harmony dual fuel ranges and Pro Rangetops with 5 STAR® burners
PALPKITHA5	For Pro Harmony gas ranges with 5 STAR® burners
PALPKITGA	For Pro Harmony 30" and 36" gas ranges with 4 and 6 STAR® burners
PALPKITGA6	For Pro Harmony 48" gas ranges with 4 and 6 STAR® burners

## LP gas kit parts included

Gas Pro Harmony ranges with 5 STAR® burners (PRG305WH)	Qty
Conversion label	1
Foam tape, 1" piece	1
Screwdriver	1
Orifice, 0.73 mm (73), STAR® burners	2
Orifice, 0.90 mm (90), STAR® burners	1
Orifice, 1.05 mm (105), STAR® burners	1
Orifice, 1.15 mm (115), STAR® burners	1
Orifice, 1.34 mm (134), main oven bake	1
Orifice, 1.30 mm (130), main oven broil	1

Dual Fuel Pro Harmony ranges and Pro Rangetop with 5 STAR® burners (PRD305WH(U/C) or PCG305W)	Qty
Conversion label	1
Foam tape, 1" piece	1
Screwdriver	1
Orifice, 0.73 mm (73), STAR® burners	2
Orifice, 0.90 mm (90), STAR® burners	1
Orifice, 1.05 mm (105), STAR® burners	1
Orifice, 1.15 mm (115), STAR® burners	1

Dual Fuel Pro Harmony ranges and Pro Rangetop with 4 or 6 STAR® burners	Qty
Conversion label	1
Foam tape, 1" piece	1
Screwdriver	1
Orifice, 1.05 mm (105), STAR® burners	3
Orifice, 1.15 mm (115), STAR® burners	3

Gas Pro Harmony 48" ranges with 4 or 6 STAR® burners	Qty
Conversion label	1
Foam tape, 1" piece	1
Screwdriver	1
Orifice, 1.05 mm (105), STAR® burners	3
Orifice, 1.15 mm (115), STAR® burners	3
Orifice, 1.34 mm (134), main oven bake	1
Orifice, 1.17 mm (117), aux oven bake	1
Orifice, 1.25 mm (125), main oven broil	1
Orifice, 0.82 mm (82), aux oven broil	1

<b>Gas Pro Harmony 30" and 36" ranges with 4 or 6 STAR® burners</b>	<b>Qty</b>
Conversion label	1
Foam tape, 1" piece	1
Screwdriver	1
Orifice, 1.05 mm (105), STAR® burners	3
Orifice, 1.15 mm (115), STAR® burners	3
Orifice, 1.34 mm (134), main oven bake	1
Orifice, 1.30 mm (130), main oven broil	1

<b>Dual Fuel Pro Grand ranges with 4 or 6 STAR® burners</b>	<b>Qty</b>
Conversion label	1
Foam tape, 1" piece	1
Screwdriver	1
Orifice, 1.05 mm (105), STAR® burners	3
Orifice, 1.15 mm (115), STAR® burners	2
Orifice, 1.26 mm (126), STAR® burners	1

<b>Gas Pro Grand ranges with 4 or 6 STAR® burners</b>	<b>Qty</b>
Conversion label	1
Foam tape, 1" piece	1
Screwdriver	1
Orifice, 1.05 mm (105), STAR® burners	3
Orifice, 1.15 mm (115), STAR® burners	2
Orifice, 1.26 mm (126), STAR® burners	1
Orifice, 1.46 mm (146), main oven bake	1
Orifice, 1.13 mm (113), aux oven bake	1
Orifice, 1.25 mm (125), main oven broil	1
Orifice, 0.813 mm (813) or "67", aux oven broil*	1

\*This orifice is stamped "67", which means #67 DMS (Drill Metal Standard, or wire gage number, or drill size) and is dimensionally equal to 0.0320" or 0.813 mm diameter.

## Checklist

Each of the following steps must be completed correctly for the appliance to function properly. Check off each step as it is finished.

### Pro Rangetop models

Step 1	Disassemble the rangetop ( p. 9 ).
Step 2	Convert the regulator to LP gas ( p. 9 ).
Step 3	Change the STAR® burner orifices ( p. 10 ).
Step 4	Check the rangetop for gas leaks ( p. 19 ).

Step 5	Reassemble the rangetop and check STAR burner flame performance ( p. 20 ).
Step 6	Set the valve screws for the STAR burners ( p. 21 ).
Step 7	Place the conversion label ( p. 22 ).

### Pro Harmony gas models

Step 1	Disassemble the rangetop ( p. 9 ).
Step 2	Convert the regulator to LP gas ( p. 9 ).
Step 3	Change the STAR® burner orifices ( p. 10 ).
Step 4	Remove the backguard ( p. 15 ).
Step 5	Change the main oven broil burner orifice ( p. 15 ).
Step 6	48" models – change the aux oven broil burner orifice ( p. 15 ).
Step 7	Remove the oven door(s) ( p. 16 ).
Step 8	Remove the kick and front panels ( p. 16 ).
Step 9	Change the main oven bake burner orifice ( p. 17 ).
Step 10	48" models – change the aux oven bake burner orifice ( p. 18 ).
Step 11	Reinstall the door(s) ( p. 16 ).
Step 12	Check the rangetop and oven for gas leaks ( p. 19 ).
Step 13	Reassemble the rangetop and check STAR® burner flame performance ( p. 20 ).
Step 14	Set the STAR® burner valve screws ( p. 21 ).
Step 15	Check the broil and bake burner flame performance ( p. 20 ).
Step 16	Reinstall the kick and front panels ( p. 16 ).
Step 17	Place the conversion label ( p. 22 ).

### Pro Harmony dual fuel models

Step 1	Disassemble the rangetop ( p. 9 ).
Step 2	Convert the regulator to LP gas ( p. 9 ).
Step 3	Change the STAR® burner orifices ( p. 10 ).
Step 4	Check the rangetop for gas leaks ( p. 19 ).
Step 5	Reassemble the rangetop and check STAR® burner flame performance ( p. 20 ).
Step 6	Set the valve screws for the STAR® burners ( p. 21 ).
Step 7	Place the conversion label ( p. 22 ).

### Pro Grand gas models

Step 1	Disassemble the rangetop ( p. 9 ).
--------	------------------------------------

Step 2	Convert the regulator to LP gas ( p. 9 ).
Step 3	Change the STAR® burner orifices ( p. 10 ).
Step 4	Remove the backguard ( p. 15 ).
Step 5	Change the main oven broil burner orifice ( p. 15 ).
Step 6	48" models – change the aux oven broil burner orifice ( p. 15 ).
Step 7	Remove the oven door ( p. 16 ).
Step 8	Remove the kick and front panels ( p. 16 ).
Step 9	Change the main oven bake burner orifice ( p. 17 ).
Step 10	48" models – change the aux oven bake burner orifice ( p. 18 ).
Step 11	Reinstall the door(s) ( p. 16 ).
Step 12	Check the rangetop and oven for gas leaks ( p. 19 ).
Step 13	Reassemble the rangetop and check STAR® burner flame performance ( p. 20 ).
Step 14	Set the valve screws for the STAR® burners ( p. 21 ).
Step 15	Check the broil and bake burner flame performance ( p. 20 ).
Step 16	Reinstall the kick and front panels ( p. 16 ).
Step 17	Place the conversion label ( p. 22 ).

### **Pro Grand dual fuel models**

Step 1	Disassemble the rangetop ( p. 9 ).
Step 2	Convert the regulator to LP gas ( p. 9 ).
Step 3	Change the burner orifices ( p. 10 ).
Step 4	Check the rangetop for gas leaks ( p. 19 ).
Step 5	Reassemble the rangetop and check STAR® burner flame performance ( p. 20 ).
Step 6	Set the valve screws for the STAR® burners ( p. 21 ).
Step 7	Place the conversion label ( p. 22 ).

# Installation procedure

**NOTE:** All graphics are representative. Appearances may vary.

## Disassembling the rangetop

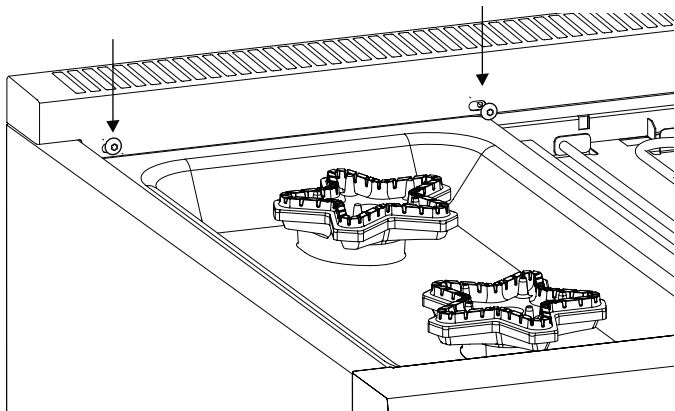
### ⚠ CAUTION

Before proceeding with the conversion, shut off the gas supply to the appliance prior to disconnecting the electrical power.

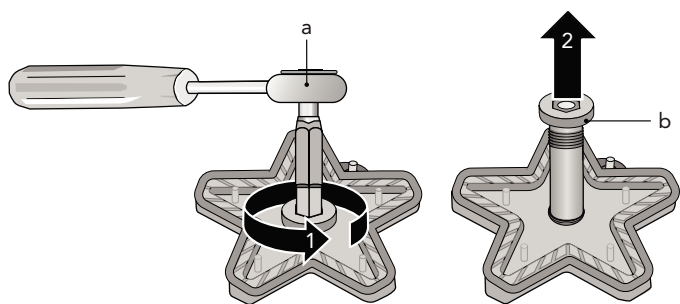
Disconnect the appliance from electrical power by unplugging the electrical cord from its receptacle or by disconnecting power at the circuit breaker box.

### To disassemble the rangetop

1. Remove the rangetop grates and the burner caps.
2. To facilitate the removal of the spill tray, remove the T-20 star-head screws in the front face of the island trim or backguard.



3. Use a 16 mm hex head bit for burners labeled 'D' or 'F'. Use a 9 mm hex head bit for burners labeled 'B' to remove the burner venturi from each burner base.

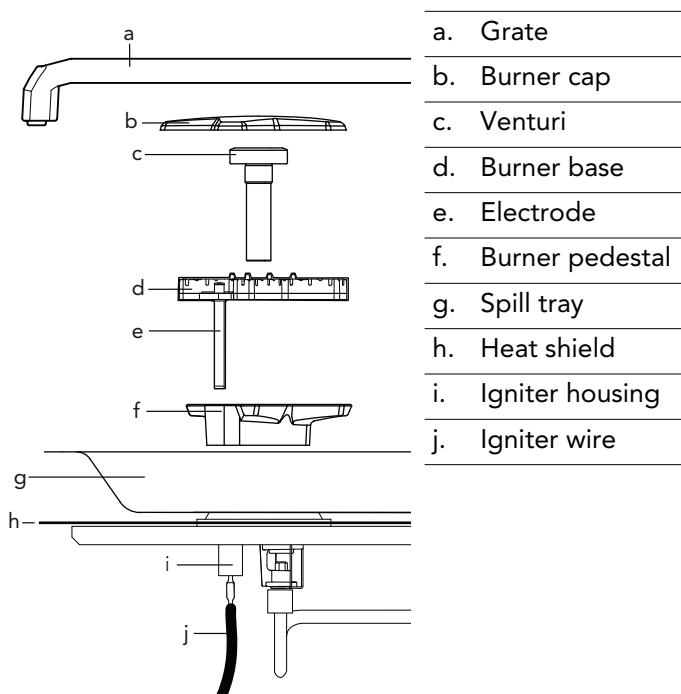


a. Hex head bit

b. Burner venturi

**TIP:** If a 16 mm hex head bit is not readily available, a 5/8" hex bit can be selected. Alternatively, a bolt with 5/8" head either "double-nutted" or tightened into the chuck of a power driver can be used.

4. Disconnect the igniter. Carefully pull up on the burner base.

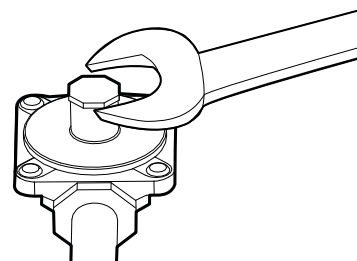


5. Remove the screw securing the burner pedestal with a T-30 star-head driver. Carefully remove each burner pedestal.
6. Remove the spill trays by pivoting the trays up and out the back.
7. Remove the heat shield on some models. Some models have a double-width shield that extends under adjacent spill tray.

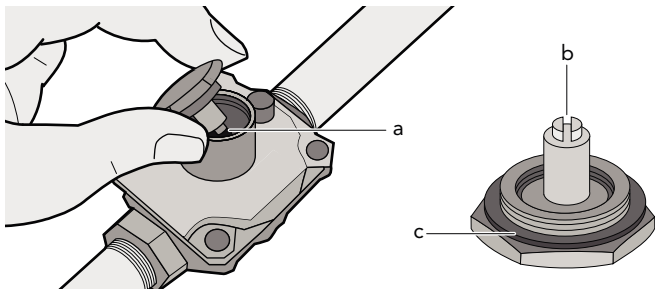
## Converting the regulator to LP

The gas regulator is located in the rangetop, left side of appliance. Exact location will vary per model.

1. Remove the conversion cap with a 7/8" socket or wrench, or an adjustable wrench.

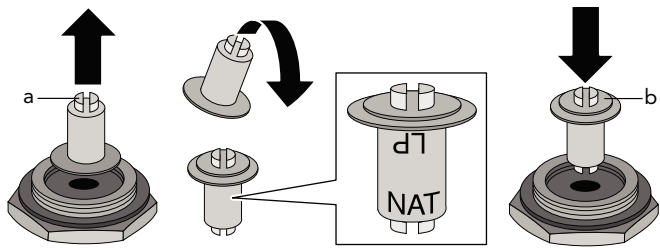


- Grasp the plastic button stem firmly and pull it forcefully from the metal cap. The stem snaps snugly into an indent in the cap and may require a strong pull to remove. (Hint: it may be helpful to gently "rock" the plastic stem while pulling it from the metal cap.)



- |    |                     |
|----|---------------------|
| a. | Spring              |
| b. | Plastic button stem |
| c. | Gasket              |

- Rotate the stem 180° so the letters "LP" on the stem are upside down when the cap is set flat on its head. Snap the stem back in place in this position inserting it into the indent in the metal cap. The stem should snap into place.



- |    |             |    |        |
|----|-------------|----|--------|
| a. | Natural gas | b. | LP gas |
|----|-------------|----|--------|

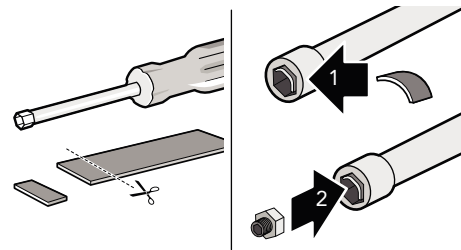
- Reinstall conversion cap, configured for LP gas, back into top of the regulator.

## Changing "D" and "F" STAR® burner orifices only

To prepare the 7 mm, 9/32" socket, or 1/4" nut driver for STAR® burner orifice conversion

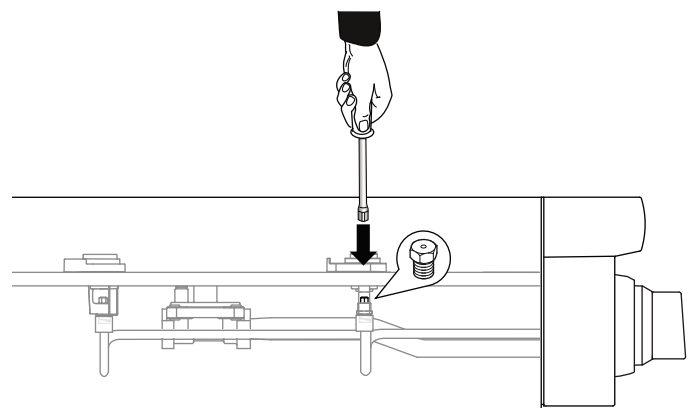
**NOTE:** This procedure facilitates the changing of the orifices in the "D" and "F" STAR burners only. For the smaller sized "B" burners in 305 models, this procedure will not work because the socket is too big for insertion through the orifice holders. To change "B" size STAR burners, refer to page 11 .

- Trim a small piece of the foam tape provided with this kit to about 1/4 – 1/2" (6 – 12 mm).
- Place foam tape over the edge of a 7 mm or a 9/32" socket, or with 1/4" nut driver used to replace the burner orifices, as shown below.
  - The foam tape helps to retain the orifice in the end of the nut driver so it will not fall inside the appliance during orifice removal or installation.



To replace the STAR® "D" and "F" burner orifices

- With the foam tape wrapped nut driver, reach down through the jet holders and remove the gas orifice from the STAR burner's jet holder.




- Label each of the removed orifices, noting from which burner they were removed, in the event the appliance is converted back to natural gas in the future.

### Burner layout legend

For your convenience, note the orifice sizes and locations in the following table.

Left rear	Left center rear	Center rear	Right center rear	Right rear
Left front	Left front center	Center front	Right center front	Right front

- Locate the proper STAR® burner orifices included with the kit. Orifices are stamped with the orifice diameter size on the side. 
- Replace orifices as indicated in the tables beginning on page 11. Ensure the orifice is completely seated and tight to the jet holder to avoid possible gas leaks.

**NOTE:** All of the replacement orifices in the conversion kit have straight threads (not pipe threads) and do not require thread sealing compound.

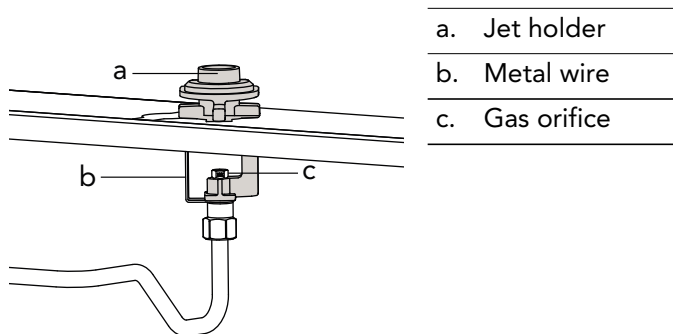
## Changing "B" STAR® burners (305 models only) and/or "D" and "F" STAR® burners

This procedure can be applied when:


- Converting size "B" burners.
- Preferred by the installer to change orifices of any size burner ("B", "D", or "F").
- A 7 mm or 9/32" socket, or 1/4" nut driver is not available for use when changing the orifices on "D" and "F" burners.

### To replace the "B" STAR® burner orifices (or any burner size orifice)

- From the side of the jet holder, insert a 9/32" open end wrench into the space between the metal wire and the jet holder. Remove the gas orifice from the STAR burner's jet holder.



- Label each of the removed orifices, noting from which burner they were removed, in the event the appliance is converted back to natural gas in the future.

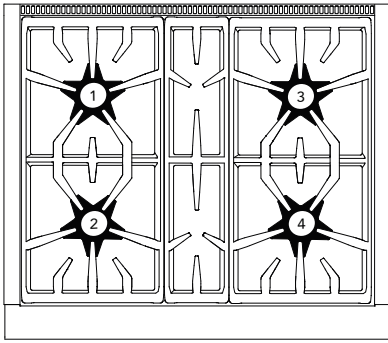
- Locate the proper STAR burner orifices included with the kit. Orifices are stamped with the orifice diameter size on the side. 
- Replace orifices as indicated in the tables beginning on page 11. Ensure the orifice is completely seated and tight to the jet holder to avoid possible gas leaks.

**NOTE:** All the replacement orifices in the conversion kit have straight threads (not pipe threads) and do not require thread sealing compound.

## Pro Harmony ranges and Pro Rangetops propane (LP) STAR® burner orifice conversion kits

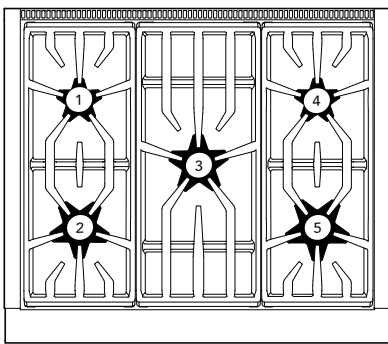
PALPKITHW	For Pro Harmony dual fuel ranges and Pro Rangetops with 4 and 6 STAR® burners
PALKITHW5	For Pro Harmony dual fuel ranges and Pro Rangetops with 5 STAR® burners
PALPKITHA5	For Pro Harmony gas ranges with 5 STAR® burners
PALPKITGA	For Pro Harmony 30" and 36" gas ranges with 4 and 6 STAR® burners
PALPKITGA6	For Pro Harmony 48" gas ranges with 4 and 6 STAR® burners

Model 304



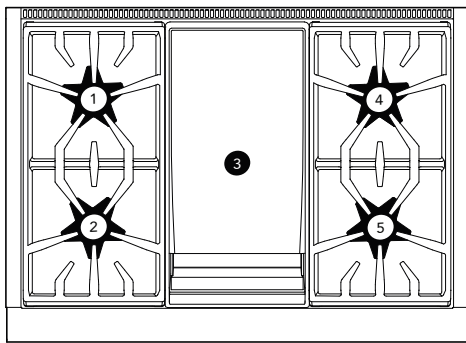
(1) 105	(3) 105
(2) 115	(4) 115

Model 305



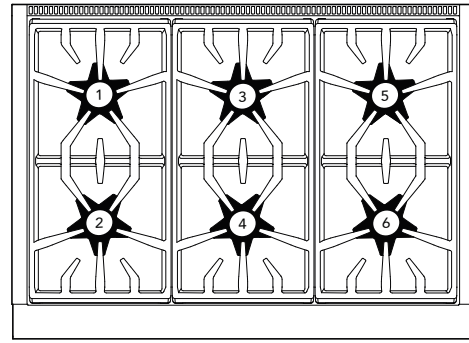
(1) 73	(3) 90	(4) 73
(2) 115		(5) 105

Model 364 with griddle



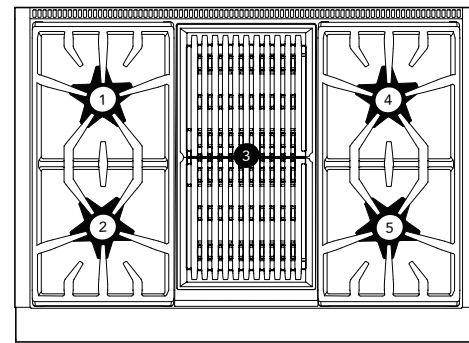
(1) 105	(3) —	(4) 105
(2) 115		(5) 115

Model 366



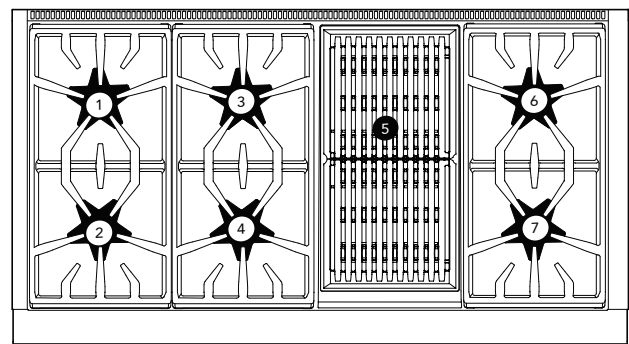
(1) 105	(3) 105	(5) 105
(2) 115	(4) 115	(6) 115

Model 364 with grill



(1) 105	(3) —	(4) 105
(2) 115		(5) 115

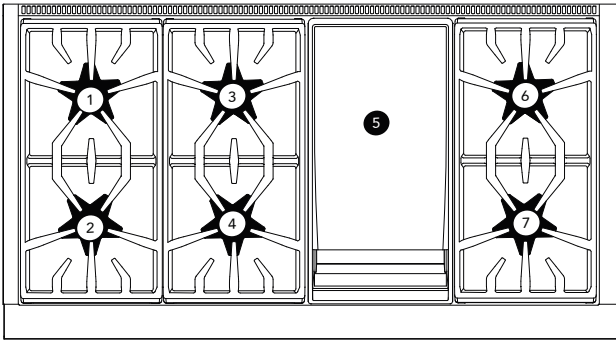
Model 486 with grill



(1) 105	(3) 105	(5) —	(6) 105
(2) 115	(4) 115		(7) 115

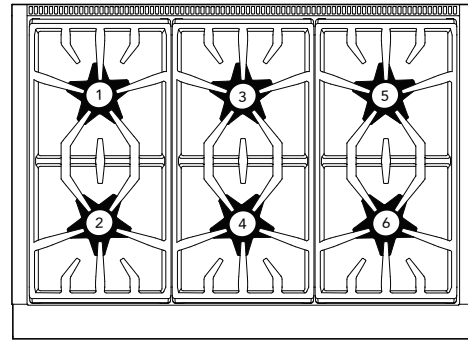


Model 486 with griddle



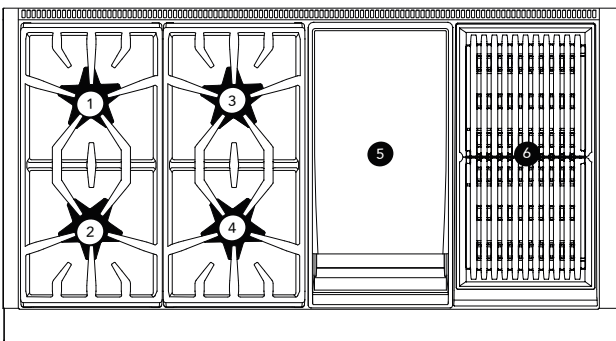
(1) 105	(3) 105	(5) —	(6) 105
(2) 115	(4) 115		(7) 115

Model 366



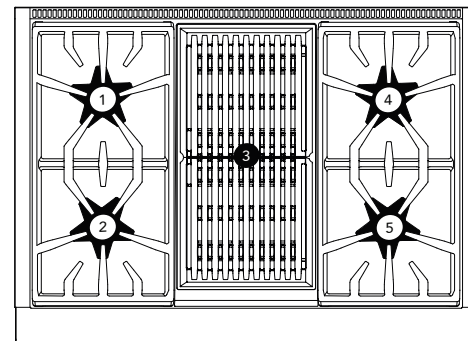
(1) 105	(3) 105	(5) 105
(2) 126	(4) 115	(6) 115

Model 486 with griddle and grill



(1) 105	(3) 105	(5) —
(2) 115	(4) 115	(6) —

Model 364 with grill

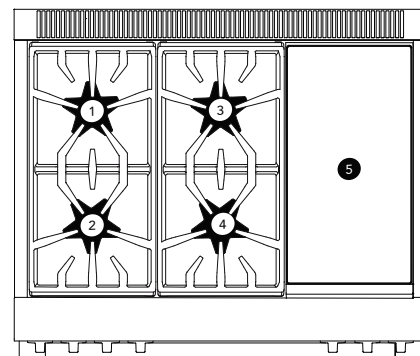


(1) 105	(3) —	(4) 105
(2) 126		(5) 115

**Pro Grand propane (LP) STAR® burner orifice conversion kits**

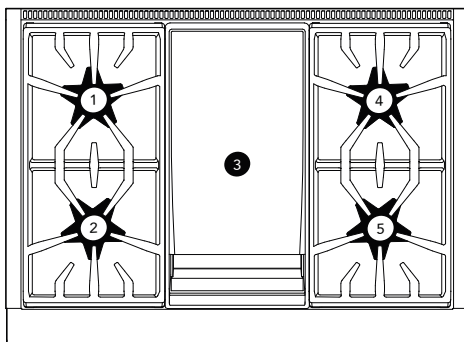
PALPKITDGW	For all Pro Grand dual fuel ranges
PALPKITGGW	For all Pro Grand gas ranges

Model 364 with induction



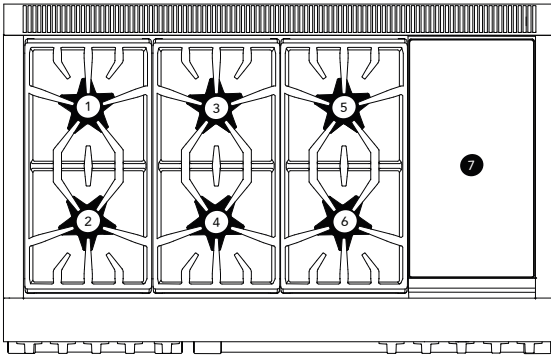
(1) 105	(3) 105	(5) —
(2) 126	(4) 115	

Model 364 with griddle



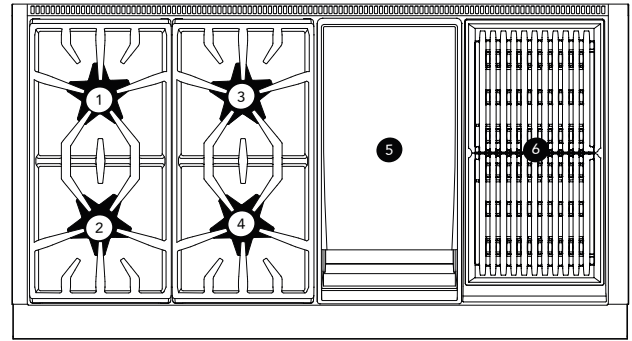
(1) 105	(3) —	(4) 105
(2) 126		(5) 115

Model 486 with induction



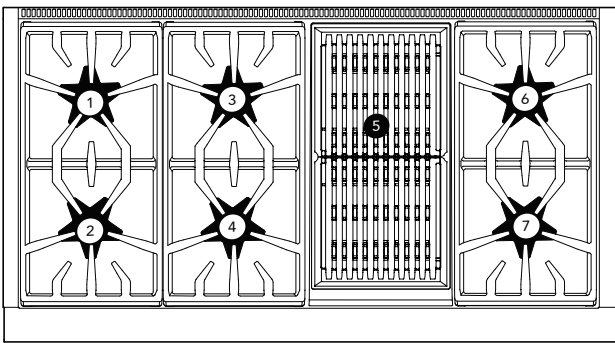
(1) 105	(3) 105	(5) 105	(7) —
(2) 126	(4) 115	(6) 115	

Model 486 with griddle and grill



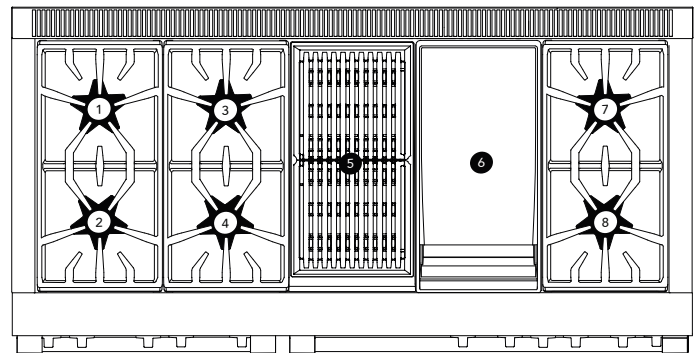
(1) 105	(3) 105	(5) —
(2) 126	(4) 115	(6) —

Model 486 with grill



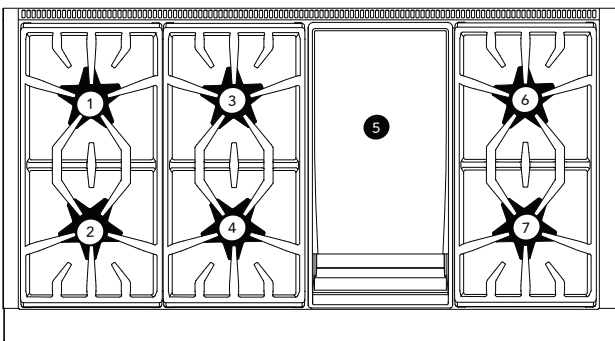
(1) 105	(3) 105	(5) —	(6) 105
(2) 126	(4) 115		(7) 115

Model 606 with grill and griddle



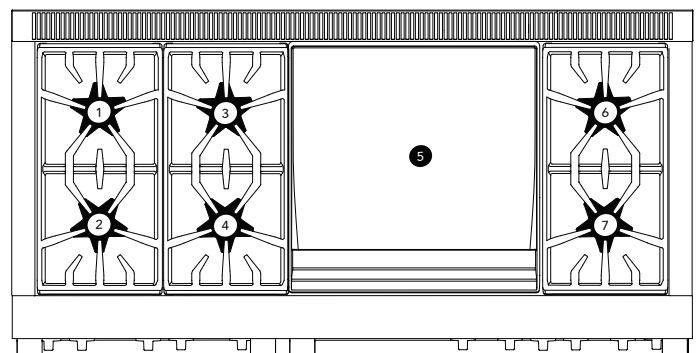
(1) 105	(3) 105	(5) —	(7) 105
(2) 126	(4) 115	(6) —	(8) 115

Model 486 with griddle



(1) 105	(3) 105	(5) —	(6) 105
(2) 126	(4) 115		(7) 115

Model 606 with griddle



(1) 105	(3) 105	(5) —	(6) 105
(2) 126	(4) 115		(7) 115

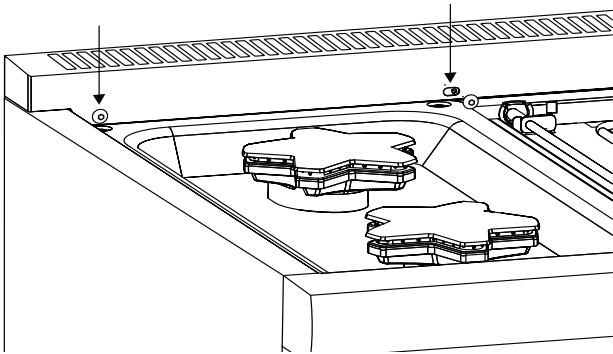
## Changing the broil orifice, on GAS ranges only (PRG models)

### ⚠ CAUTION

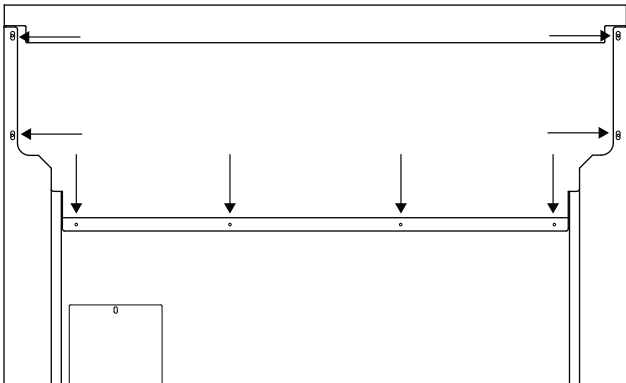
After the replacement of the broiler orifice, and before reassembly of the back panel and backguard to the range, perform a brief gas leakage check of the orifice and associated fittings, per the "Check for Gas Leaks" section of these instructions.

### Removing the backguard assembly

1. Move the range out of its installed position to gain full access to the rear panel of the backguard assembly and to the broil burners' orifices.
2. Use a T-20 star-head screwdriver to remove the screws from the front of the backguard assembly.



3. Use a T-20 star-head screwdriver to remove the screws from the back rear panel of the backguard assembly.

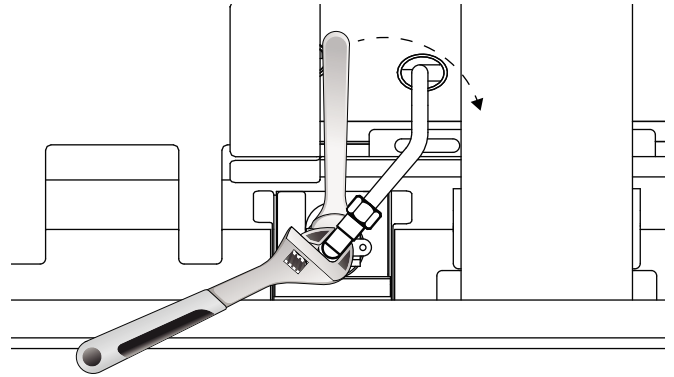


4. Carefully lift the backguard assembly from the range.

### Changing the broil burner orifice

**NOTE:** This procedure applies to both the main oven broil burner and, when applicable, to the auxiliary oven broil burner.

1. Remove broil orifice using a 7/16" box end wrench, while restraining the elbow fitting from rotation using a small adjustable wrench.



**IMPORTANT: DO NOT** bend the broil burner orifice bracket. Ensure that the broiler orifice is aligned to the center of the burner tube inlet.

2. Label each of the removed orifices, noting from which burner they were removed, in the event the appliance is converted back to natural gas in the future.

For your convenience, note the orifice sizes and locations in the following table.

Main oven broil	Aux oven broil

3. Locate the proper burner orifices included with the kit. Orifices are stamped with the orifice diameter size on the side.
4. Replace orifices as indicated in the table. To avoid any possible gas leak in this area, ensure the orifice is completely seated and tight to the burner orifice holding bracket and the 90° orifice elbow.

#### Pro Grand

Model	Main oven broil	Aux oven broil
All models	1.25 mm (125)	0.813 mm (813) or "67"

#### Pro Harmony

Model	Main oven broil	Aux oven broil
30" & 36"	1.30 (130)	—
48"	1.25 (125)	0.82 mm (82)

**NOTE:** The replacement broil orifices have straight threads (not tapered threads) and **DO NOT** require thread sealing compound.

- Continue to "Removing and installing the oven door(s), on GAS ranges only (PRG models)" before reattaching the backguard assembly. Once all of the broil and bake burners' orifices have been replaced and converted to LP gas, reinstall the oven doors before performing a gas leak check of all the replaced bake and broil orifices and their associated supply tube fittings.

## Removing and installing the oven door(s), on GAS ranges only (PRG models)

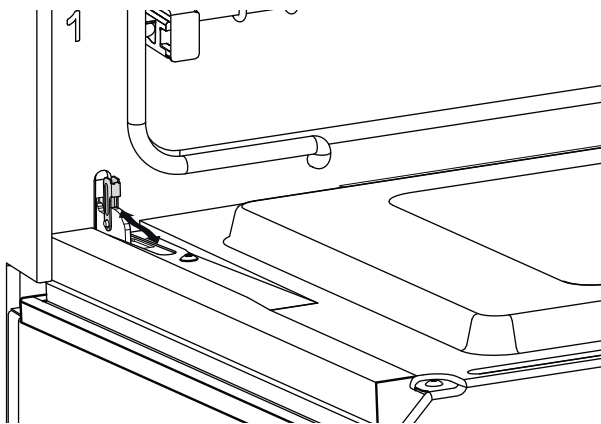
### ⚠ CAUTION

- USE CAUTION WHEN REMOVING THE DOOR. THE DOOR IS VERY HEAVY.**
- Make sure oven is cool and power to the oven has been turned off before removing the door. Failure to do so could result in electrical shock or burns.
- The oven door is heavy and fragile. Use both hands to remove or replace the door.
- Failure to grasp the oven door firmly and properly could result in personal injury and product damage.
- With the door off, never release the levers and try to close the hinges. Without the weight of the door, the powerful springs will snap the hinges closed with great force.

To gain access to the bake burner orifices, you will need to remove the oven door, kick panel, and the bottom front panel, if applicable.

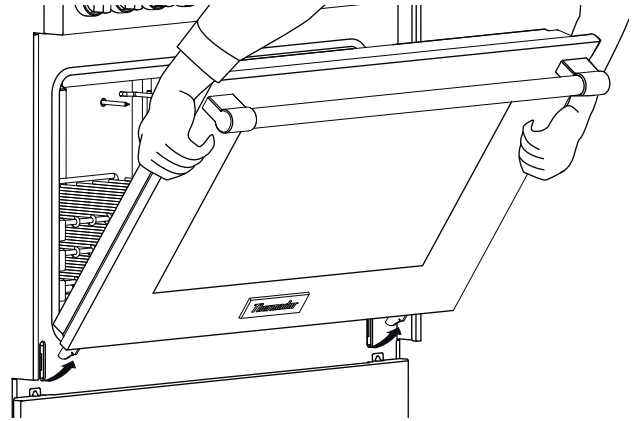
### Removing the oven door

- Open the door fully. Flip the hinge clips down for both sides of the door. A screwdriver may be required to carefully pry the clip back.



- Close the door gently until it stops against the hinge clips. The open hinge clips will hold the door open at a slight angle, about 30°, from the closed position.

- Grasp the door firmly on the ends of the door. Lift the door up and out. There will be some spring resistance to overcome.

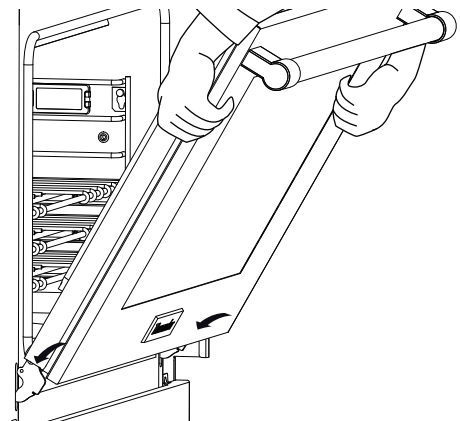


- Place the door in a safe and stable location.

### Reinstalling the oven door before leak testing the broil and bake burners

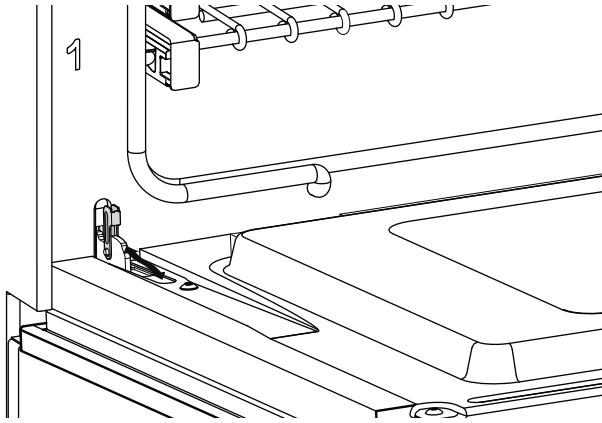
After replacing the bake burner orifices and the appliance satisfactorily gas leak tested, the oven door, kick panel, and the bottom front panel must be reinstalled.

- Hold the door firmly in both hands.
- Hold the door at a 30° angle from the closed position. Insert hinges centered evenly into the hinge slots. The hinges will securely hook into the slots when properly installed. **DO NOT** force, bend or twist the door.



- Open door fully to expose hinges, levers, and slots.

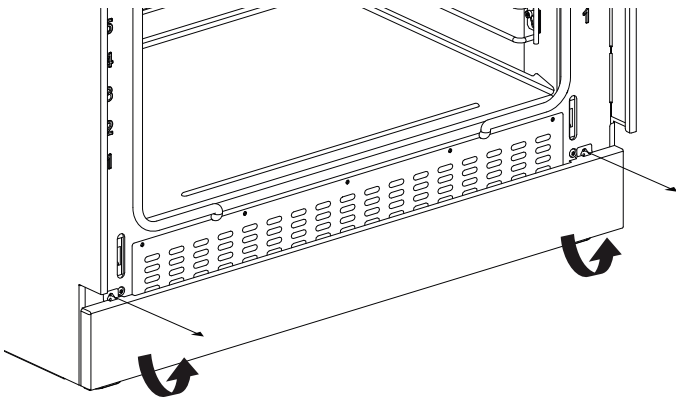
- Flip the hinge forward until seated on the bracket. A screwdriver may be required to carefully push the clip back.



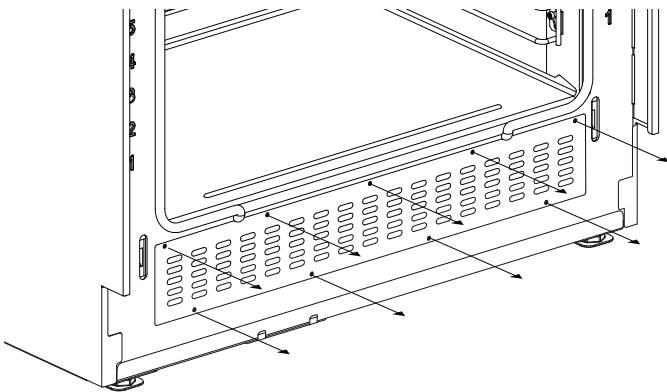
- Close and open the door slowly to ensure it is correctly and securely in place.

### Removing the kick and front panels

- Remove the kick panel screws using a T-20 star-head screwdriver.



- Remove the front panel screws using a T-20 star-head screwdriver.

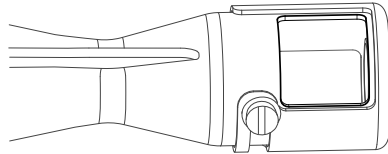


## Changing the bake orifice, on GAS ranges only (PRG models)

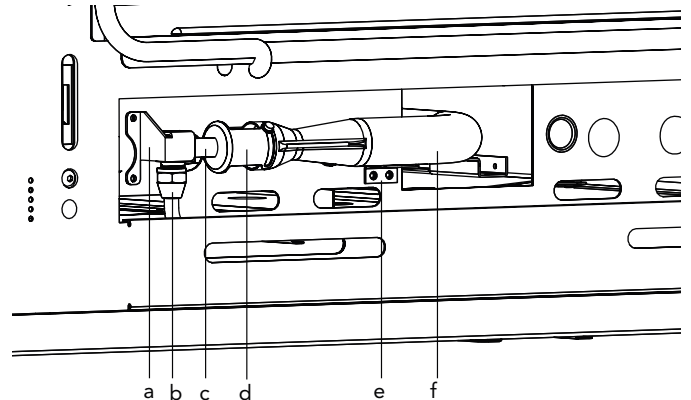
### Changing the main oven bake burner orifice

#### IMPORTANT:

- Do not bend the bake burner tube.
- Do not bend the bake burner gas tube.
- The bake burner air shutter should remain fully open. If the air shutter is not fully open, loosen the shutter screw and adjust it to the position shown. Re-tighten the screw to secure the shutter.

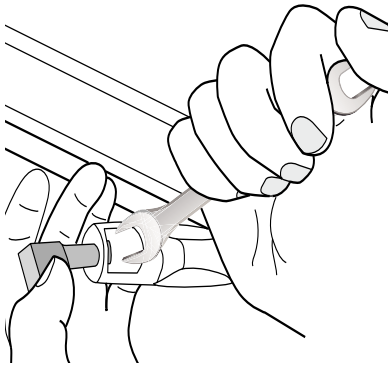


- Do not remove the anti-rotation bracket when performing the orifice change. This bracket is critical to the alignment of the bake burner tube with the burner orifice. After the orifice replacement, this bracket will facilitate the burner tube's realignment.



a. Anti-rotation bracket	b. Bake gas line
c. Elbow fitting	d. Shutter
e. Bake burner tube mounting bracket	f. Bake burner tube

1. Remove the bake gas line using a 13/16" box end wrench.
2. Remove the two screws from the bake burner tube mounting bracket with a T-20 star-head driver.



3. Insert a 1/2" offset wrench into the shutter opening to restrain the bake orifice while hand twisting the orifice elbow counter-clockwise.

4. Replace the orifice as indicated in the table.

#### Pro Grand

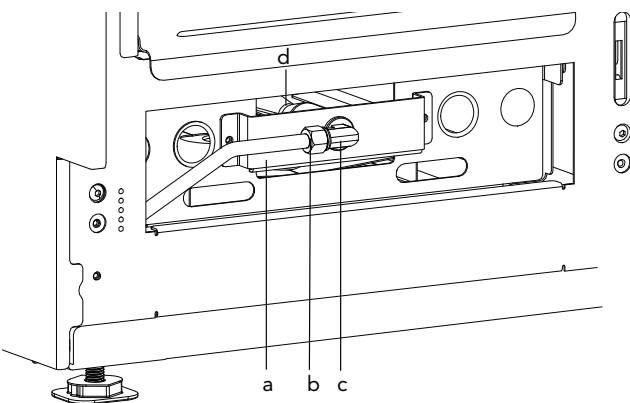
Model	Main oven bake
All models	1.46 mm (146)

#### Pro Harmony

Model	Main oven bake
All models	1.34 (134)

5. Ensure that the bake orifice is aligned to the center of the burner tube inlet. Reinstall the bake burner tube beneath the oven. If necessary, use a flashlight to aid in seeing the locating slot where the burner tube sits at the backside of the burner cavity.
6. Slide the elbow fitting back into the anti-rotation bracket. Reattach the two bake burner mounting bracket screws and tighten the gas line.
7. If the gas range is a single oven, perform a gas leakage check of the orifice and associated supply tube fittings per "Checking for gas leaks" on page 19. If the gas range has an auxiliary oven, proceed with the following instructions.

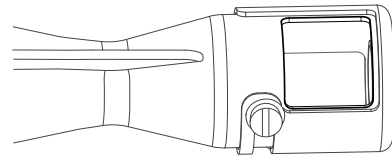
#### Changing the auxiliary oven bake burner orifice



a. Auxiliary bake burner mounting bracket	b. Aux oven bake gas line
c. Elbow fitting	d. Bake burner tube

#### IMPORTANT:

- Do not bend the bake burner tube.
- Do not bend the bake burner gas tube.
- The bake burner air shutter should remain fully open. If the air shutter is not fully open, loosen the shutter screw and adjust it to the position shown. Re-tighten the screw to secure the shutter.



1. Remove the two screws from the auxiliary bake burner mounting bracket with a T-20 star-head driver. Pull the bracket and gas line carefully towards you.

**NOTE:** It is not necessary to loosen the auxiliary oven bake gas line.

2. With an adjustable wrench, restrain the elbow fitting. With a 1/2" offset wrench, unscrew the auxiliary bake burner orifice.

For your convenience, note the orifice sizes and locations in the following table.

Main oven bake	Aux oven bake

3. Replace the orifice as indicated in the table

#### Pro Grand

Models	Auxiliary oven bake
All models	1.13 mm (113)

#### Pro Harmony

Model	Aux oven bake
30"	—
36"	—
48" 4 & 6-burners	1.17 (117)

**NOTE:** The replacement bake orifices have straight threads (not tapered threads) and **DO NOT** require thread sealing compound.

4. Before reattaching the auxiliary bake burner mounting bracket, perform a gas leakage check of the orifice and associated supply tube fittings per "Checking for gas leaks" on page 19.



## Checking for gas leaks

### **⚠ WARNING**

**DO NOT** use a flame of any kind to check for gas leaks.

### **⚠ CAUTION**

**DO NOT** spray water solution onto exposed electrical components. If solution does drip onto electrical components, shut the power off before wiping off the electronics.

### **⚠ CAUTION**

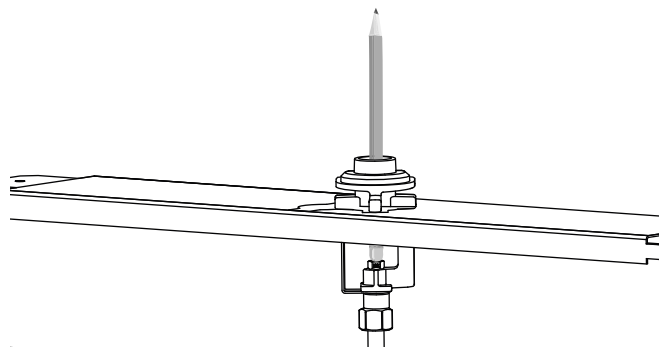
Ensure that the STAR burner igniter wire terminals do not touch the chassis metal, or any metal part, to prevent sparking. Do not touch the igniter wires while the burner is turned on to avoid being shocked.

Leak testing should occur after the orifices are replaced and before the appliance is fully reassembled. However, the doors of the appliance must also be installed and closed in order to leak check the broil and bake burners.

Leak testing of the appliance shall be conducted according to the following instructions.

### **Gas leak checking the rangetop STAR® burners**

1. Make sure that the orifices have been tightened and that all valves and controls are in the OFF position.
2. Turn on electric and gas supplies.
3. Spray a generous amount of soap and water mixture—or other solution designed for checking gas leaks—on the threaded junction at the base of the orifice, the elbow fitting, and gas tube compression nut. (A 25% dishwashing liquid to water mixture is effective for this.) Avoid spraying electrical components.
4. Turn the corresponding STAR burner knob to HI while firmly blocking the STAR burner's orifice hole with a soft rubber pencil eraser, your finger, or something similar.



5. Monitor the base of the orifice junction, elbow fitting, and compression nut to see if bubbles are forming anywhere around the connections.
  - Bubbles forming are indications of gas leaks.

6. If appliance leaks, repair all gas leaks immediately. Do not over-torque the junctions, orifices or nuts, or bend the gas tubes. Repeat for all STAR burners.

### **Gas leak checking the broil orifice(s)**

1. Spray a generous amount of soap and water mixture—or other solution designed for checking gas leaks—on the threaded junction at the base of the orifice, the elbow fitting, and gas tube compression nut. (A 25% dishwashing liquid to water mixture is effective for this.) Avoid spraying electrical components.
2. Turn the mode knob and the oven temperature knob to BROIL while blocking the broil orifice hole with a soft pencil eraser, your finger, or something similar.
  - There will be a delay of approximately 45 to 90 seconds as the safety valve coil heats to release the valve's actuator. A single pop noise can usually be heard as the broiler's safety valve opens.
3. Monitor the base of the orifice junction, elbow fitting, and compression nut to see if bubbles are forming anywhere around the connections.
  - Bubbles forming are indications of gas leaks.
4. If appliance leaks, repair all gas leaks immediately. Do not over-torque the junctions, orifices or nuts, or bend the gas tubes.
5. If applicable, repeat for the auxiliary broil orifice.

### **Gas leak checking the bake orifice(s)**

1. Spray a generous amount of soap and water mixture—or other solution designed for checking gas leaks—on the threaded junction at the base of the orifice, the elbow fitting, and gas tube compression nut. (A 25% dishwashing liquid to water mixture is effective for this.) Avoid spraying electrical components.
2. Turn the mode knob to BAKE and the oven temperature knob to any setting while blocking the bake orifice hole with your finger.
  - There will be a delay of approximately 45 to 90 seconds as the safety valve coil heats to release the valve's actuator. A single pop noise can usually be heard as the broiler's safety valve opens.
3. Monitor the base of the orifice junction, elbow fitting, and compression nut to see if bubbles are forming anywhere around the connections.
  - Bubbles forming are indications of gas leaks.
4. If appliance leaks, repair all gas leaks immediately. Do not over-torque the junctions, orifices or nuts, or bend the gas tubes.
5. If applicable, repeat for the auxiliary bake orifice.
6. If the appliance has been satisfactorily leak checked, turn off the gas and electric supplies. Reinstall the auxiliary bake burner mounting bracket, if applicable, and continue to "Checking the flame and burner performance" .

## Checking the flame and burner performance

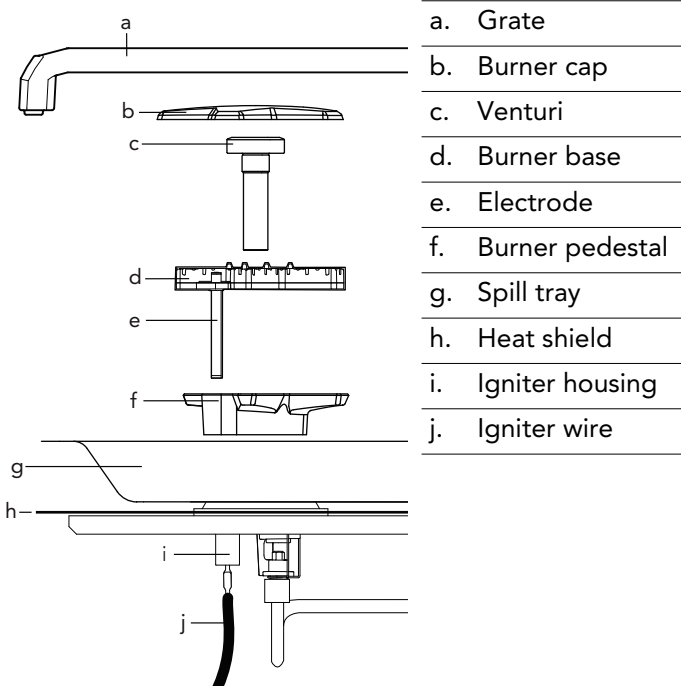
### Checking the STAR® burner performance

#### ⚠ WARNING

When cooking with the STAR burners, the burner flame size should be adjusted so it does not extend beyond the edge of the cooking utensil. This instruction is based on safety considerations.

To observe the burner flames, it may be necessary to turn off lights or close window blinds to darken the room for easier viewing of the flame.

#### Reassemble the rangetop as follows:

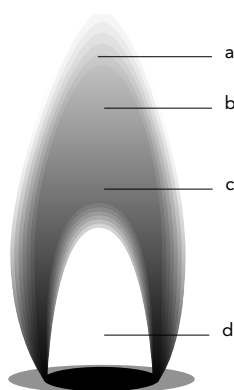


**TIP:** Use the burner venturi as a centering guide when remounting the burner pedestals. If the pedestals are centered, the venturi will slide in and out easily after the T-30 star-head screw has been secured. If the pedestals are not centered properly, loosen the mounting screw and recenter the burner until the venturi slides freely.

#### Checking the STAR® burner ignition and flame

1. Push in the burner control knob and turn it to HI.
  - The igniter electrode and spark module will produce a clicking sound. Once the air has been purged from the supply lines, the burner should light within four seconds.

- The flames should be stable, with no excessive noise. The inner cones of the individual flames should be defined and separate from each other. Portions of the flame, along the burner, should not exhibit excessive or continuous indications of "lifting" or "lazy flame".

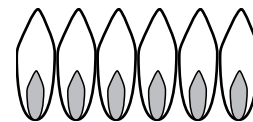


- |    |                |
|----|----------------|
| a. | Dark blue      |
| b. | Secondary cone |
| c. | Light blue     |
| d. | Primary cone   |

**NOTE:** It is normal for slight yellow tipping of the flames to appear after a few minutes of operation using Propane (LP) gas. Orange-colored streaks in the flame are produced from burning airborne debris; this is normal during initial start up and should dissipate within a few minutes of operation.

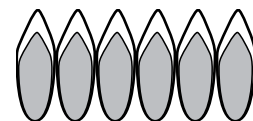
#### Yellow flames:

Further adjustment is required.



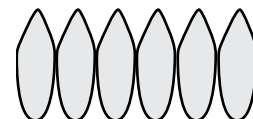
#### Yellow tips on outer cones:

Normal for LP gas



#### Soft blue flames:

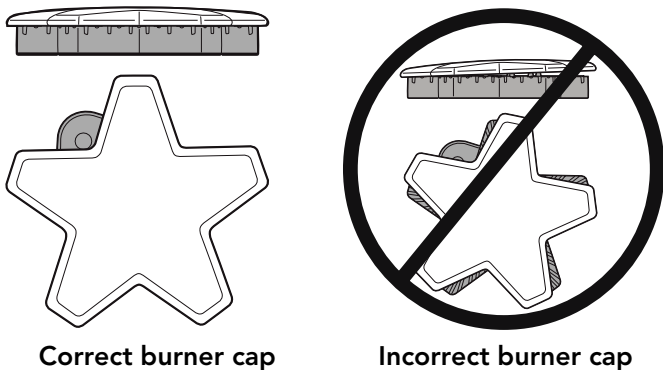
Normal for natural gas



2. Adjust the burner's control valve to LO to see that the flame continues to wrap around the burner. Blow out the flame, or use a quick fan motion from a writing tablet or piece of cardboard to extinguish the flame. Observe the burner's ability to reignite and wrap around (also called "carry-over") the burner within several seconds. This flame "carry-over" is essential for proper burner ignition and re-ignition.
3. Test re-ignition of the XLO® and observe the carry-over of the small simmer flames as the XLO system cycles the burners on and off.



- If the low flame performance is not acceptable, it may be necessary to readjust the valve screw for a STAR burner that does not have sufficient carry-over of the low flame. Turn the valve screw slightly counter-clockwise until carry-over of the flame is acceptable. (See "Setting the STAR® burner valve screws" on page 21.)
- If the burner flame is uneven, flutters, makes excessive noise, or lifts, some of the slots in the burner base may be blocked with food spillage or other debris.
- Clogged slots can be cleared using a straightened paper clip, needle, or similar object. Encrusted food or debris can sometimes be removed using a steel wool pad or fine wire brush.
- Burner flames that are "lazy", with excessively-long flames, can be created by an incorrectly fitted burner cap—from which many of the outer mantles of the individual flames will tend to "coalesce" or blend together. Verify that the burner cap is seated properly on its burner base. The cap should fit reasonably flat when correctly-positioned on the base and not rock significantly.



4. Repeat the ignition and flame test procedures for each rangetop STAR burner.

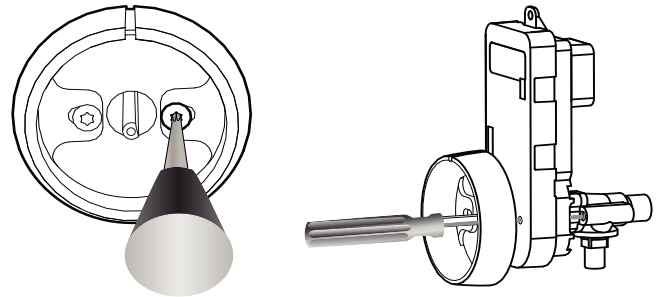
## Setting the STAR® burner valve screws

A flat-head screwdriver with a 2.5 mm wide tip (included) is used to adjust the valve screws.

### To set the burner valve screws

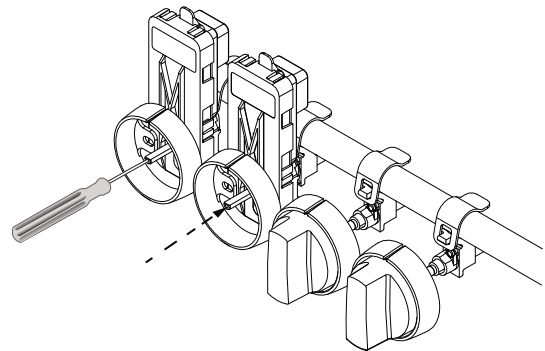
1. Turn the knob counterclockwise.
  - Standard burners: Turn a full turn until knob cannot be turned anymore.
  - XLO burners: Turn to LOW.

2. Remove the knob from the valve stem by slowly pulling knob straight out, away from the control panel.
3. **To set the burner valve screws on all models except 8-burner models:**  
Remove the bezel-mounting screw located to the right of the valve stem using a T-20 star-head screwdriver. Insert the included flat-blade screwdriver into the hole of the bezel mounting screw.



### To set the burner valve screws on 8-burner models:

Insert the included flat-blade screwdriver into the hole of the valve stem. The removal of the bezel screw is not required.



4. Access to the valve screws through the clearance hole in the spark module. You should feel the engagement of the screwdriver and the valve screw.
5. Adjust the valve screw by turning the valve screw about an 1/8<sup>th</sup> turn. Turn the screw clockwise to reduce simmer flame size. Turn the screw counter-clockwise to make the simmer flame larger. Adjust the valve screw as little as required to reach satisfactory simmer results. Adjustments should be done after the range has been fully converted. Due to normal fluctuations in gas pressure, over-adjustment of valve screw may affect flame stability.

## Checking the gas broil ignition and flame (gas range only)

**NOTE:** The oven door(s) must be installed and closed.

1. Turn on the main oven mode knob and the oven temperature knob to BROIL.
  - The hot-surface igniter will attempt to light the broiler after approximately 45 to 90 seconds, as the safety valve coil heats to open. Once the air has been purged from the gas supply line, the broiler should light within four (4) seconds.
  - Observe the broil flame performance through the oven door window. The ceramic tiles of the burner should glow red hot (infrared) after several minutes of operation. If after several minutes with the burner lit, the broiler only has a small amount of red glow (and burns mostly with blue flame floating on the burner surface), check that the broiler orifice is aligned to the center of the burner tube inlet.
2. Repeat for the auxiliary oven, if applicable.
3. If the broil burner burns satisfactorily, reassemble the backguard onto the appliance (see page 15).

## Checking the gas bake ignition and flame (gas range only)

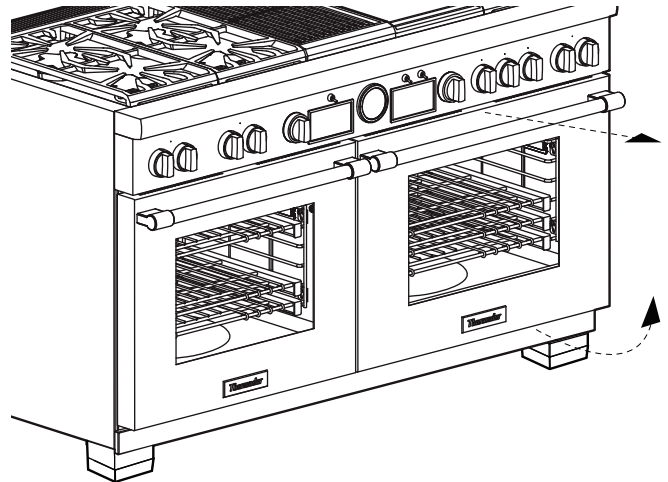
**NOTE:** The oven door(s) must be installed and closed.

1. Install the front panel (see page 16).
2. Turn the main oven mode knob to BAKE and the oven temperature knob to any setting.
  - The hot-surface igniter will attempt to light the burner tube after approximately 45 to 90 seconds, as the safety valve coil heats to open. Once the air has been purged from the gas supply line, the burner should light within four (4) seconds.
  - Observe the bake burner flame through the slots in the bottom front panel. Look for considerable "yellow tipping," noting that some small amount of yellow tipping is normal in the flame characteristics of burners running with propane (LP) gas, flame lifting, or lazy flames.
3. Repeat for the auxiliary oven, if applicable.
4. If the bake burner burners perform satisfactorily, reinstall the kick panel (see page 16).

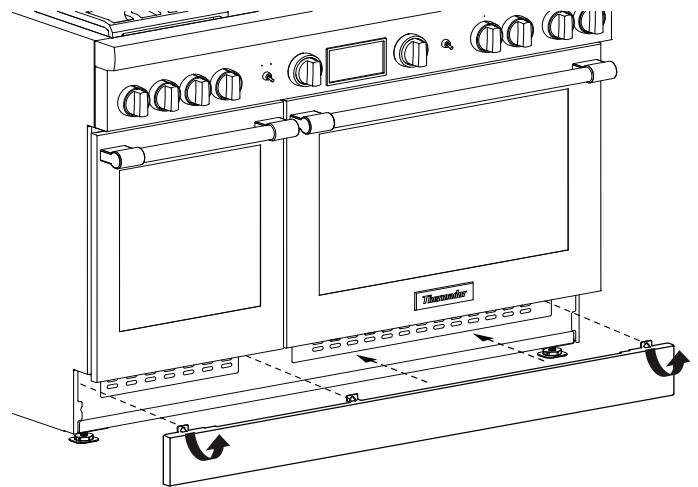
## Placing the conversion label

1. For proper identification and evidence of the appliance's conversion for propane (LP) gas operation, affix the provided conversion label in a location next to the rating labels on the appliance.

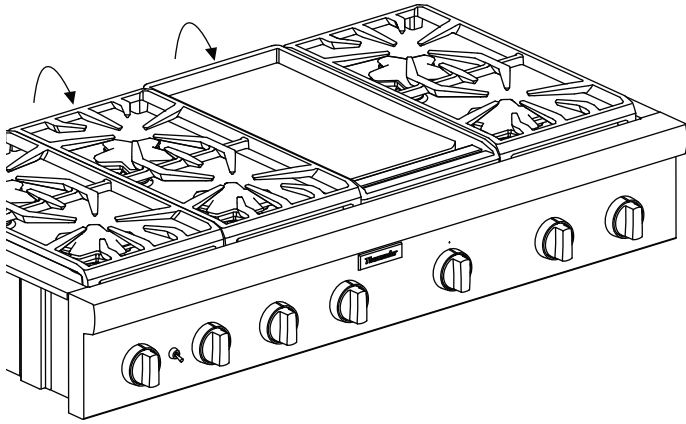
### Pro Grand conversion label placement



### Pro Harmony conversion label placement



## Pro Rangetop conversion label placement



2. Use a permanent marker to fill-in the date, name, and address of your service organization on the conversion label.
3. Review the "Checklist" on page 7 to ensure that all steps have been completed.
4. Leave this installation manual and all removed parts with the owner of the appliance for future use or for converting the unit back to natural gas.

## Table des matières

Consignes de sécurité importantes .....	25
Directives de la trousse de conversion au gaz propane (PL) .....	27
Avant de commencer .....	27
Liste de vérification .....	28
Procédure d'installation .....	30
Démontage de la table de cuisson .....	30
Conversion du régulateur pour utilisation avec PL .....	31
Remplacement des ports de brûleur STAR® .....	31
Tableaux de conversion des ports pour brûleurs STAR au propane (LP) .....	32
Remplacement du port du gril, uniquement sur les cuisinières à GAZ (modèles PRG) .....	36
Remplacement du port de cuisson, uniquement sur les cuisinières à GAZ (modèles PRG) .....	37
Inspection des fuites de gaz .....	40
Vérification du rendement de la flamme et du brûleur .....	41
Réglage des vis de la soupape des brûleurs STAR .....	42
Apposition de l'étiquette de conversion .....	43
Soutien, pièces et accessoires .....	page arrière

## Définitions de sécurité

### ⚠ AVERTISSEMENT

Ceci indique que le non respect de cet avertissement peut entraîner des blessures graves, voire la mort.

### ⚠ ATTENTION

Ceci indique que le non respect de cet avertissement peut entraîner des blessures légères ou modérées.

**NOTICE :** Ceci indique que la non-conformité à cet avis de sécurité peut entraîner des dégâts à l'appareil ou à la propriété.

**Note :** Ceci vous avertit que d'importantes informations et/ou conseils sont fournis.

*Cet appareil électroménager de THERMADOR™ est fait par BSH Home Appliances Ltd*

6696 Financial Drive, Unit 3  
Mississauga, ON L5N 7J6

*Des questions?*

1-800-735-4328

www.thermador.com ou www.thermador.ca

*Nous attendons de vos nouvelles!*

# CONSIGNES DE SÉCURITÉ IMPORTANTES

## LIRE ET CONSERVER CES DIRECTIVES

### Veillez lire attentivement

Conservez les pièces originales du modèle à gaz dans l'éventualité d'une reconversion future.

**Important :** Seul un technicien ou un installateur qualifié en réparation peut procéder à cette conversion.

**Installateur :** Prière de laisser les directives avec cet appareil à l'intention du propriétaire.

**Propriétaire :** Prière de conserver les directives pour pouvoir s'y référer ultérieurement.

### AVERTISSEMENT



**Si les directives du présent manuel ne sont pas suivies à la lettre, il y a un risque d'incendie ou d'explosion pouvant entraîner des dommages matériels, des blessures ou la mort.**

-- **NE PAS conserver ou utiliser de l'essence ou d'autres liquides et vapeurs inflammables à proximité de cet appareil ou de tout autre appareil.**

-- **QUE FAIRE SI VOUS PERCEVEZ UNE ODEUR DE GAZ**

- **NE PAS essayer de mettre un appareil électroménager sous tension.**
- **NE PAS toucher d'interrupteur de courant électrique.**
- **NE PAS utiliser de téléphone dans l'édifice.**
- **Communiquer immédiatement avec le fournisseur de gaz depuis l'appareil téléphonique d'un voisin. Respecter les directives du fournisseur de gaz.**
- **S'il s'avère impossible de joindre le fournisseur de gaz, communiquer avec les pompiers.**

-- **Utiliser les services d'un installateur ou d'une agence de réparations qualifiés ou le fournisseur de gaz pour procéder à l'installation et aux réparations.**

Cette trousse permet de convertir les appareils Thermador pour qu'ils fonctionnent au gaz propane (pétrole liquéfié - PL). Cette trousse renferme des ports

permettant la bonne conversion au PL du four, du grill et des brûleurs surface de cuisson STAR®.

Un nécessaire pour haute altitude est requis pour les unités de gaz naturel de plus de 5 400 pieds. (1 646 m) d'altitude au-dessus du niveau de la mer et des unités de propane (LP) installées à une altitude de 10 000 pieds. (3 048 m) et plus au-dessus du niveau de la mer. Veuillez vous reporter à la dernière page de couverture pour plus d'informations sur l'entretien, les pièces et les accessoires.

Cette trousse sert à convertir certains modèles de table de cuisson Pro et de cuisinières Pro Harmony et Pro Grand à un fonctionnement au gaz propane (PL). Elle ne peut pas être utilisée pour convertir d'anciens modèles de tables de cuisson ou de cuisinières. Cette trousse ne peut pas être utilisée pour convertir toute autre marque d'appareil.

### AVERTISSEMENT



Cette trousse de conversion doit être installée par une agence de réparation qualifiée en conformité aux directives du fabricant et de tous les autres codes et toutes les exigences en vigueur de l'autorité ayant juridiction. Dans tous les cas, l'installation de cette trousse de conversion doit être conforme aux réglementations locales ou, en l'absence de telles réglementations, aux versions les plus récentes du National Fuel Gas Code (Code national du gaz combustible), ANSI Z223/NFPA 54 ou, au Canada, du Code d'installation du gaz naturel et du propane, CSA B149, en vigueur. Si les directives ne sont pas suivies à la lettre, il y a un risque d'incendie, d'explosion ou de génération de monoxyde de carbone pouvant entraîner des dommages matériels, des blessures ou une perte de vie. L'agence de réparation qualifiée est responsable de la bonne installation de cette trousse. L'installation n'est pas jugée terminée et adéquate jusqu'à ce que l'on ait testé l'appareil converti comme précisé dans les directives du fabricant fournies avec la trousse.

### AVERTISSEMENT

**Ne Jamais Faire Fonctionner La Surface De La Table De Cuisson De Cet Appareil Sans Surveillance.**

- **Le non-respect de cet avertissement pourrait entraîner un risque d'incendie, d'explosion ou de brûlure qui pourrait provoquer des dommages matériels, des blessures ou un décès.**
- **En cas d'incendie, se tenir à l'écart de l'appareil et appeler immédiatement les pompiers. NE PAS ESSAYER D'ÉTEINDRE UN INCENDIE DE GRAISSE OU D'HUILE AVEC DE L'EAU.**

# CONSIGNES DE SÉCURITÉ IMPORTANTES

## LIRE ET CONSERVER CES DIRECTIVES

### Pour les installations au Massachusetts

1. L'installation doit être exécutée par un entrepreneur, un plombier ou un ajusteur d'appareils à gaz qualifié ou autorisé par l'État, la province ou la région.
2. Le robinet d'arrêt doit être un robinet à gaz avec une poignée en T.
3. Le connecteur à gaz souple ne doit pas dépasser 36 pouces (914 mm).

### **Veillez respecter les exigences ci-dessous lors de la mise à l'essai de la canalisation du système d'alimentation en gaz :**

- L'appareil et son propre robinet d'arrêt doivent être déconnectés de la canalisation du système d'alimentation en gaz aux pressions de test qui dépassent 1/2 psig (3,5 kPa).
- L'appareil électroménager doit être isolé de la canalisation du système d'alimentation en gaz en fermant son propre robinet d'arrêt manuel pour tout test de pression de la canalisation du système d'alimentation en gaz à des pressions égales ou inférieures à 1/2 psig (3,5 kPa).

---

### **MISE EN GARDE**

Lors du raccordement de l'appareil au gaz propane, s'assurer que le réservoir de gaz est doté de son propre régulateur à haute pression. La pression maximale de gaz de cet appareil ne doit pas dépasser 14 po de colonne (3,5 kPa) d'eau au régulateur du réservoir de gaz propane.

---

La pression minimale d'alimentation au gaz propane (pétrole liquéfié - PL) pour la vérification du régulateur de pression de l'appareil à gaz, lorsqu'il est converti pour être utilisé avec du gaz propane, doit être comprise entre 11 pouces de colonne d'eau (2,7 kPa) et 14 pouces (3,5 kPa). Veuillez vous reporter à la 31 pour des instructions sur la façon de convertir correctement le régulateur de pression de gaz pour une utilisation avec du gaz propane (PL).

---

### **AVERTISSEMENT**

NE JAMAIS laisser la conversion de gaz inachevée. Si l'appareil est utilisée avec une conversion de gaz inachevée, il est possible qu'il émette des niveaux élevés de monoxyde de carbone ou provoquer un incendie ou une explosion, provoquer des dommages matériels, des blessures ou un décès.

---

Conservez les ports de gaz naturel originaux, retirés de l'appareil, pour un usage ultérieur. Assurez-vous de marquer et d'étiqueter soigneusement ces ports, en indiquant le brûleur qui leur correspond.

Pour reconverter l'appareil au gaz naturel, suivez exactement ces instructions, mais en remplaçant les ports de gaz propane par les ports de gaz naturel d'origine. Jumelez-les soigneusement aux brûleurs correspondants, préalablement marqués et étiquetés.

### **À l'intention de l'agent de réparation**

**AVANT** d'amorcer la conversion de l'appareil, il est important de connaître les éléments suivants.

- Confirmer que le système d'alimentation en gaz est disponible et prêt à utiliser. Ceci est particulièrement important dans le cas d'une nouvelle construction.
- Vérifier le type de gaz fourni à cet endroit. S'assurer que l'appareil est bien raccordé au type de gaz pour lequel il est certifié.
- Vous devez prévoir assez de temps et de ressources pour bien exécuter le processus de conversion et le terminer avant de quitter le chantier. Toutes les étapes décrites dans ces directives doivent être exécutées pour obtenir une conversion sécuritaire de l'appareil pour un bon fonctionnement à haute altitude. **UNE CONVERSION INACHEVÉE OU INADÉQUATE DE L'APPAREIL PEUT CRÉER UN DANGER POUR LA SÉCURITÉ.**

### **Avertissement issu de la proposition 65 :**

Ce produit pourrait contenir un produit chimique reconnu par l'État de la Californie comme cancérigène ou ayant des effets nocifs sur la reproduction. Par conséquent, l'emballage de votre produit pourrait porter l'étiquette suivante, comme requis par la Californie :

#### **AVERTISSEMENT ISSU DE LA PROPOSITION 65 DE L'ÉTAT DE LA CALIFORNIE :**

#### **AVERTISSEMENT**

Cancér et dommages à la reproduction –  
[www.P65Warnings.ca.gov](http://www.P65Warnings.ca.gov)

# Directives de la trousse de conversion au gaz propane (PL)

## Avant de commencer

### ⚠ MISE EN GARDE

Avant d'amorcer la conversion, coupez l'alimentation en gaz de l'appareil avant de le déconnecter de l'alimentation électrique.

Coupez l'alimentation électrique en déconnectant le cordon électrique à trois broches de sa prise ou en débranchant l'alimentation du boîtier du disjoncteur.

### Outils requis

- Tournevis Torx T-20
- Clé polygonale de 7/16 po
- Clé polygonale de 13/16 po
- Douille de 7 mm ou de 9/32 po
- Tournevis à douille de 1/4 po
- Tête hexagonale de 16 mm ou de 5/8 po
- Tournevis Torx T-30
- Clé polygonale de 1/2 po
- Tête hexagonale de 9 mm
- Clé à fourche 9/32"
- Douille de 7/8 po ou clé à fourche 7/8 po
- Clé réglable
- Mélange d'eau savonneuse ou solution de détection de fuites

### Trousses de conversion de ports de brûleurs au gaz propane (PL) pour la gamme Pro Grand

PALPKITDGW	Pour toutes les cuisinières Pro Grand bi-énergie
PALPKITGGW	Pour toutes les cuisinières à gaz Pro Grand

### Trousses de conversion de ports de brûleurs au propane (PL) pour les cuisinières Pro Harmony et Pro Rangetops

PALPKITHW	Pour les cuisinières Pro Harmony bi-énergie et les Pro Rangetops à 4 et 6 STAR brûleurs
PALKITHW5	Pour les cuisinières Pro Harmony bi-énergie et les Pro Rangetops à 5 STAR brûleurs
PALPKITHA5	Pour les cuisinières à gaz Pro Harmony à 5 STAR brûleurs
PALPKITGA	Pour les cuisinières à gaz Pro Harmony 30" et 36" à 4 et 6 STAR brûleurs
PALPKITGA6	Pour les cuisinières à gaz Pro Harmony 48" à 4 et 6 STAR brûleurs

## Pièces incluses

Cuisinière au gaz Pro Harmony avec 5 STAR® brûleurs (PRG305WH)	Qté
Étiquette de conversion	1
Ruban de mousse, morceau de 1 po (2,5 cm)	1
Tournevis	1
Port, 0,73 mm (73), STAR brûleurs	2
Port, 0,90 mm (90), STAR brûleurs	1
Port, 1,05 mm (105), STAR brûleurs	1
Port, 1,15 mm (115), STAR brûleurs	1
Port, 1,34 mm (134), four principal, cuisson	1
Port, 1,30 mm (130), four principal, grill	1

Cuisinières Pro Harmony bi-énergie et Pro Rangetop au PL avec 5 STAR® brûleurs (PRD305WH(U/C) ou PCG305W)	Qté
Étiquette de conversion	1
Ruban de mousse, morceau de 1 po (2,5 cm)	1
Tournevis	1
Port, 0,73 mm (73), STAR brûleurs	2
Port, 0,90 mm (90), STAR brûleurs	1
Port, 1,05 mm (105), STAR brûleurs	1
Port, 1,15 mm (115), STAR brûleurs	1

Cuisinières Pro Harmony bi-énergie et Pro Rangetop avec 4 ou 6 STAR® brûleurs	Qté
Étiquette de conversion	1
Ruban de mousse, morceau de 1 po (2,5 cm)	1
Tournevis	1
Port, 1,05 mm (105) STAR brûleurs	3
Port, 1,15 mm (115), STAR brûleurs	3

Cuisinières au gaz Pro Harmony 48" avec 4 ou 6 STAR® brûleurs	Qté
Étiquette de conversion	1
Ruban de mousse, morceau de 1 po (2,5 cm)	1
Tournevis	1
Port, 1,05 mm (105), STAR brûleurs	3

<b>Cuisinières au gaz Pro Harmony 48" avec 4 ou 6 STAR® brûleurs</b>	<b>Qté</b>
Port, 1,15 mm (115), STAR brûleurs	3
Port, 1,34 mm (134), four principal, cuisson	1
Port, 1,17 mm (117), four auxiliaire, cuisson	1
Port, 1,25 mm (125), four principal, gril	1
Port, 0,82 mm (82), four auxiliaire, gril	1

<b>Cuisinières au gaz Pro Harmony 30" et 36" avec 4 ou 6 STAR® brûleurs</b>	<b>Qté</b>
Étiquette de conversion	1
Ruban de mousse, morceau de 1 po (2,5 cm)	1
Tournevis	1
Port, 1,05 mm (105), STAR brûleurs	3
Port, 1,15 mm (115), STAR brûleurs	3
Port, 1,34 mm (134), four principal, cuisson	1
Port, 1,30 mm (130), four principal, gril	1

<b>Cuisinières Pro Grand bi-énergie avec 4 ou 6 STAR® brûleurs</b>	<b>Qté</b>
Étiquette de conversion	1
Ruban de mousse, morceau de 1 po (2,5 cm)	1
Tournevis	1
Port, 1,05 mm (105), STAR brûleurs	3
Port, 1,15 mm (115), STAR brûleurs	2
Port, 1,26 mm (126), STAR brûleurs	1

<b>Cuisinières au gaz Pro Grand avec 4 ou 6 STAR® brûleurs</b>	<b>Qté</b>
Étiquette de conversion	1
Ruban de mousse, morceau de 1 po (2,5 cm)	1
Tournevis	1
Port, 1,05 mm (105), STAR brûleurs	3
Port, 1,15 mm (115), STAR brûleurs	2
Port, 1,26 mm (126), STAR brûleurs	1
Port, 1,46 mm (146), four principal, cuisson	1
Port, 1,13 mm (113), four auxiliaire, cuisson	1
Port, 1,25 mm (125), four principal, gril	1
Port, 0,813 mm (813), four auxiliaire, gril	1

\*Ce port est estampillé " 67 ", ce qui signifie #67 DMS (Drill Metal Standard ou numéro de calibre de fil ou taille de foret) et est dimensionnellement égal à 0,0320 po ou à 0,813 mm de diamètre.

## Liste de vérification

Pour le bon fonctionnement de l'appareil électroménager, il faut bien achever chacune des étapes suivantes. Cocher les étapes au fur et à mesure qu'elles sont achevées.

### Modèles table de cuisson

Étape 1	Démonter la table de cuisson (page 30).
Étape 2	Convertir le régulateur de pression pour utilisation de gaz de PL (page 31).
Étape 3	Remplacer les ports des brûleurs (page 31).
Étape 4	Vérifier la table de cuisson à la recherche de fuites de gaz (page 40).
Étape 5	Remonter la table de cuisson et vérification du rendement de la flamme et du brûleur (page 41).
Étape 6	Régler les vis de soupape pour les brûleurs STAR® (page 42).
Étape 7	Apposer l'étiquette de conversion (page 43).

### Modèles Pro Harmony au gaz

Étape 1	Démonter la table de cuisson (page 30).
Étape 2	Convertir le régulateur de pression pour utilisation de gaz de PL (page 31).
Étape 3	Remplacer les ports des brûleurs (page 31).
Étape 4	Retirer le dosseret (page 36).
Étape 5	Remplacer le port du brûleur du gril du four principal (page 36).
Étape 6	Modèles de 48 po (1219 mm) - Remplacer le port du brûleur du gril du four auxiliaire (page 36).
Étape 7	Démonter la porte du four (page 37).
Étape 8	Retirer les panneaux décoratif et de façade (page 38).
Étape 9	Remplacer le port du brûleur de cuisson du four principal (page 38).
Étape 10	Modèles de 48 po (1219 mm) - Remplacer le port du brûleur de cuisson du four auxiliaire (page 39).
Étape 11	Remettez en place la ou les portes du four (page 37).
Étape 12	Vérifier la table de cuisson et le four à la recherche de fuites de gaz (page 40).
Étape 13	Remonter la table de cuisson et vérification du rendement de la flamme et du brûleur (page 41).
Étape 14	Régler les vis de soupape pour les brûleurs STAR (page 42).
Étape 15	Vérifiez le rendement du brûleur de gril et de cuisson (page 43).
Étape 16	Remonter les panneaux décoratif et de façade (page 38).



Étape 17	Apposer l'étiquette de conversion (page 43 ).
----------	---

### Modèles Pro Harmony bi-énergie

Étape 1	Démonter la table de cuisson (page 30 ).
Étape 2	Convertir le régulateur de pression pour utilisation de gaz de PL (page 31 ).
Étape 3	Remplacer les ports des brûleurs (page 31 ).
Étape 4	Vérifier la table de cuisson à la recherche de fuites de gaz (page 40 ).
Étape 5	Remonter la table de cuisson et vérification du rendement de la flamme et du brûleur (page 41 ).
Étape 6	Régler les vis de soupape pour les brûleurs STAR® (page 42 ).
Étape 7	Apposer l'étiquette de conversion (page 43 ).

### Modèles Pro Grand au gaz

Étape 1	Démonter la table de cuisson (page 30 ).
Étape 2	Convertir le régulateur de pression pour utilisation de gaz de PL (page 31 ).
Étape 3	Remplacer les ports des brûleurs (page 31 ).
Étape 4	Retirer le dossier (page 36 ).
Étape 5	Remplacer le port du brûleur du gril du four principal (page 36 ).
Étape 6	Modèles de 48 po (1219 mm) - Remplacer le port du brûleur du gril du four auxiliaire (page 36 ).
Étape 7	Démonter la porte du four (page 37 ).
Étape 8	Retirer les panneaux décoratif et de façade (page 38 ).
Étape 9	Remplacer le port du brûleur de cuisson du four principal (page 38 ).
Étape 10	Modèles de 48 po (1219 mm) - Remplacer le port du brûleur de cuisson du four auxiliaire (page 39 ).
Étape 11	Remettez les portes du four (page 37 ).
Étape 12	Vérifier la table de cuisson et le four à la recherche de fuites de gaz (page 40 ).
Étape 13	Remonter la table de cuisson et vérification du rendement de la flamme et du brûleur (page 41 ).
Étape 14	Régler les vis de soupape pour les brûleurs STAR® (page 42 ).
Étape 15	Vérifiez le rendement du brûleur de gril et de cuisson (page 43 ).
Étape 16	Remonter les panneaux décoratif et de façade (page 38 ).
Étape 17	Apposer l'étiquette de conversion (page 43 ).

### Modèles Pro Grand bi-énergie

Étape 1	Démonter la table de cuisson (page 30 ).
Étape 2	Convertir le régulateur de pression pour utilisation de gaz de PL (page 31 ).
Étape 3	Remplacer les ports des brûleurs (page 31 ).
Étape 4	Vérifier la table de cuisson à la recherche de fuites de gaz (page 40 ).
Étape 5	Remonter la table de cuisson et vérification du rendement de la flamme et du brûleur (page 41 ).
Étape 6	Régler les vis de soupape pour les brûleurs STAR® (page 42 ).
Étape 7	Apposer l'étiquette de conversion (page 43 ).

# Procédure d'installation

**NOTE :** Tous graphiques sont représentatifs.

## Démontage de la table de cuisson

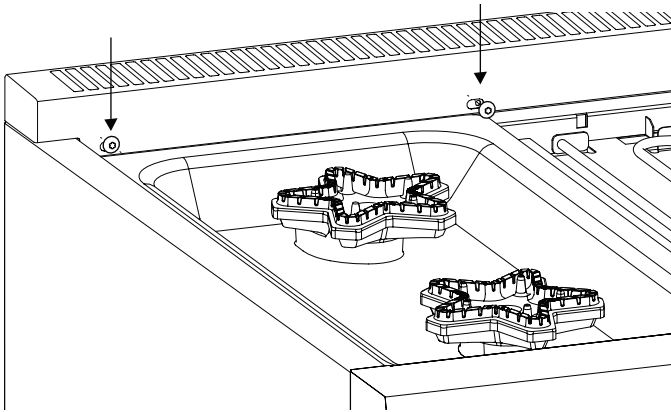
### ⚠ MISE EN GARDE

Avant d'amorcer la conversion, coupez l'alimentation en gaz de l'appareil avant de le déconnecter de l'alimentation électrique.

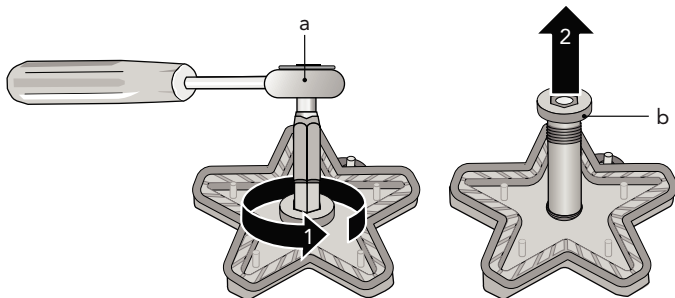
Coupez l'alimentation électrique en déconnectant le cordon électrique à trois broches de sa prise ou en débranchant l'alimentation du boîtier du disjoncteur.

### Démontage de la table de cuisson

1. Retirer les grilles et les chapeaux de brûleur de la table de cuisson.
2. Pour faciliter le retrait du plateau de déversement, retirer les vis torx T-20 de la façade de la garniture de l'îlot ou du dossier.



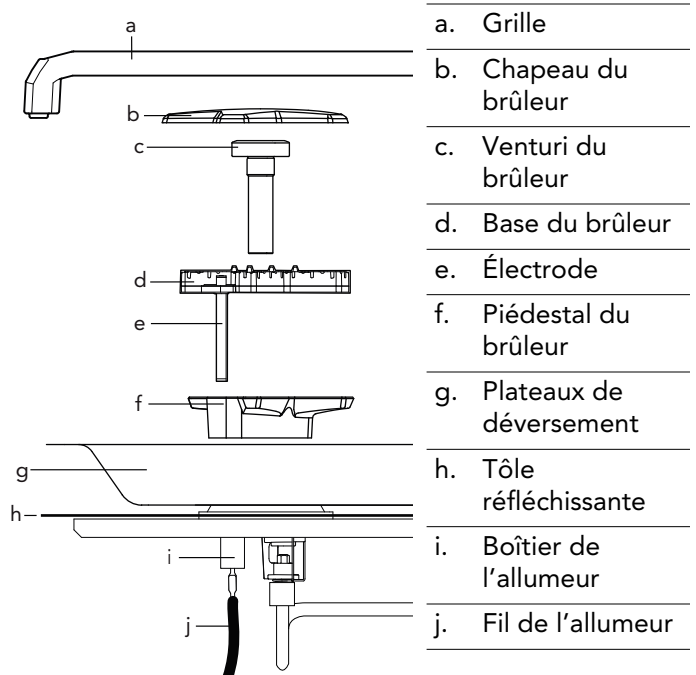
3. Utiliser l'embout à tête hexagonale de 16 mm ou 16 mm clé Allen pour les brûleurs identifiés par les lettres « D » ou « F ». Utiliser l'embout à tête hexagonale de 9 mm ou clé Allen pour les brûleurs identifiés par la lettre « B » pour retirer le venturi du brûleur de chaque base.



a. Tête hexagonale ou clé Allen | b. Venturi du brûleur

**CONSEIL :** Si un embout à tête hexagonale de 16 mm n'est pas facilement accessible, sélectionnez un embout de 5/8 po. Autrement, il est possible d'utiliser un boulon avec un embout de 5/8 po mis en double ou inséré sur le mandrin d'une perceuse électrique.

4. Déconnecter l'allumeur. Dégager délicatement la base du brûleur.

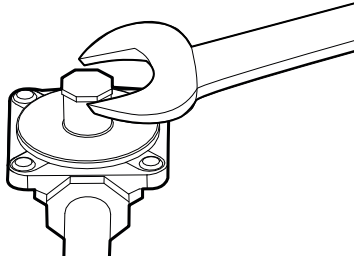


5. Retirez la vis de fixation de la base du brûleur à l'aide d'un tournevis torx T-30. Retirer délicatement l'étrier de chaque brûleur.
6. Retirer les plateaux de déversement en les faisant pivoter vers le haut et en les sortant par l'arrière.
7. Sur certains modèles, retirer la tôle réfléchissante. Certains modèles disposent de tôles de largeur double qui s'insèrent sous le plateau de déversement adjacent.

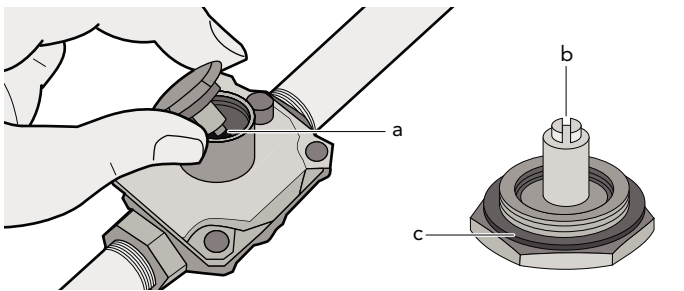
## Conversion du régulateur pour utilisation avec PL

Le régulateur de gaz de la table de cuisson est localisé du côté gauche de l'appareil. L'emplacement précis variera d'un modèle à un autre.

1. Retirer le capuchon de conversion avec une douille ou une clé de 7/8 po, ou clé réglable.

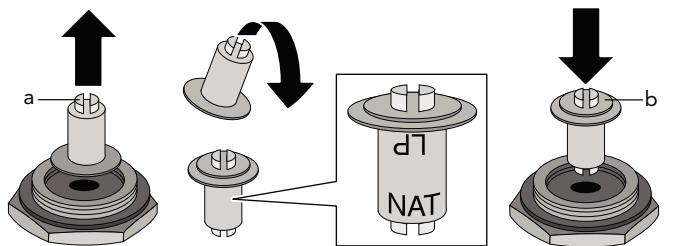


2. Saisir solidement la tige de plastique du bouton et tirer avec force pour le dégager du capuchon de métal. La tige s'enclenche et est bien serrée dans une rainure du capuchon et peut demander beaucoup de force pour la retirer. (Conseil : il peut être utile de balancer délicatement la tige de plastique tout en tirant dessus pour le retirer du capuchon de métal.)



- |    |                             |
|----|-----------------------------|
| a. | Ressort                     |
| b. | Tige de plastique du bouton |
| c. | Joint                       |

3. Pivoter la tige d'un demi-tour de sorte que les lettres « LP » soient vers le bas quand le capuchon est déposé à plat sur sa tête. Enclencher la tige en place dans cette position en l'insérant dans la rainure du capuchon de métal. La tige devrait s'enclencher en place.



- |    |             |    |           |
|----|-------------|----|-----------|
| a. | Gaz naturel | b. | Gaz de PL |
|----|-------------|----|-----------|

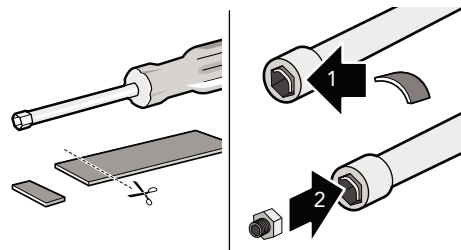
4. Réinsérer le capuchon de conversion, configuré pour le gaz de PL, dans le dessus du régulateur.

## Remplacement des ports de brûleur «D» et «F» STAR®

Pour préparer la douille de 7 mm, de 9/32 po ou le tournevis à douille de 1/4 po pour la conversion de l'orifice du brûleur STAR

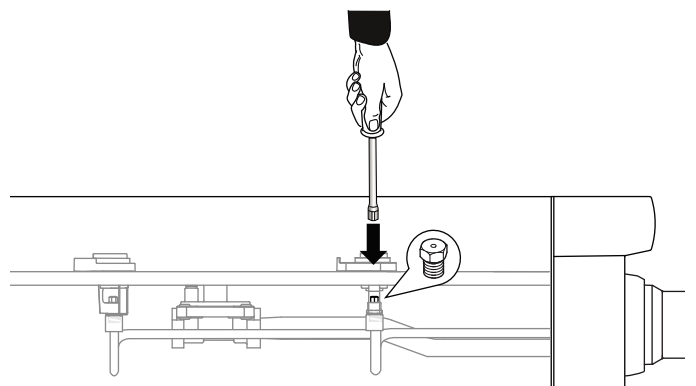
**REMARQUE :** Cette procédure facilite le changement des ports des brûleurs STAR « D » et « F » uniquement. Pour les brûleurs « B » de petite taille des modèles 305, cette procédure ne fonctionnera pas, car la douille est trop grande pour être insérée dans les porte-orifices. Pour changer les brûleurs STAR de taille « B », voir 32 .

1. Couper un petit morceau du ruban de mousse (fourni) de cette trousse (environ 1/4 – 1/2" (6 – 12 mm)).
2. Déposer le morceau de ruban de mousse sur le bord de la douille de 7 mm ou de 9/32 po, ou le tournevis à douille de 1/4 po utilisé pour remplacer les ports de brûleur comme illustré ci-dessous.
  - Le ruban de mousse vous aidera à maintenir le port sur l'extrémité du tournevis à douille pour qui ne tombe pas dans l'appareil au cours du retrait ou de l'insertion d'un port.



### Pour remplacer les ports des brûleurs STAR® "D" et "F"

1. Avec le morceau de ruban de mousse enroulé autour du tournevis à douille, aller vers le bas par les porte-injecteurs et retirer le port de gaz des porte-injecteurs des brûleurs STAR.



- Étiquetez chacun des ports enlevés, en notant de quel brûleur ils ont été retirés, dans l'éventualité où l'appareil serait ultérieurement converti de nouveau au gaz naturel.

### Disposition du brûleur

Pour votre commodité, notez la taille et l'emplacement des ports dans le tableau suivant..

Arrière gauche	Centre gauche arrière	Centre arrière	Centre droit arrière	Arrière droite
Avant gauche	Centre gauche avant	Centre avant	Centre droit avant	Avant droite

- Localiser les bons ports de brûleurs STAR compris dans la trousse. Les ports sont estampillés avec le diamètre de l'orifice sur le côté.
- Remplacez les ports comme indiqué dans les tableaux à partir de la 32.



**REMARQUE :** Tous les ports de remplacement de la trousse de conversion pour utilisation comporte un filetage droit (et non un filetage au pas de gaz) et ne requièrent pas de produit d'étanchéité.

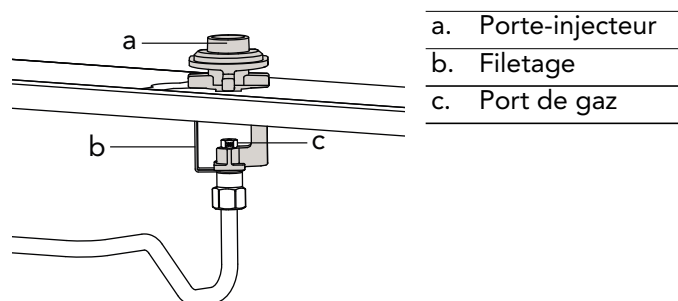
### Remplacement des brûleurs « B » STAR® (modèles 305 uniquement) et/ou des brûleurs « D » et « F » STAR

Cette procédure peut être appliquée :

- lors de la conversion des brûleurs de taille « B »;
- lorsque l'installateur a le privilège pour changer les ports de brûleurs de toutes tailles (« B », « D », ou « F »);
- lorsqu'une douille de 7 mm ou de 9/32 po ou un tournevis à douille de ¼ po n'est pas disponible pour le changement des ports de brûleurs « D » et « F ».

#### Pour remplacer les ports de brûleur « B » STAR (ou n'importe quel port de brûleur)

- Du côté du porte-injecteur, insérez une clé à fourche de 9/32 po dans l'espace entre le filetage et le porte-injecteur. Retirez le port de gaz du porte-injecteur du brûleur STAR.



- a. Porte-injecteur
- b. Filetage
- c. Port de gaz

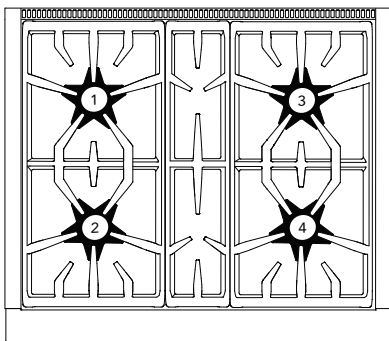
- Étiquetez chacun des ports enlevés, en notant de quel brûleur ils ont été retirés, dans l'éventualité où l'appareil serait ultérieurement converti de nouveau au gaz naturel.
- Repérez les bons ports de brûleur STAR fournis avec la trousse. Les ports sont estampillés avec le diamètre de l'orifice sur le côté.
- Remplacez les ports comme indiqué dans les tableaux à partir de la 32. Vérifiez que le port est bien en place et serré contre le porte-injecteur afin d'éviter les fuites de gaz.

**REMARQUE :** Tous les ports de remplacement de la trousse de conversion ont un filetage cylindrique (et non un filetage conique) et ne requièrent pas de produit d'étanchéité.

### Trousse de conversion de ports de brûleurs au propane (PL) pour les cuisinières Pro Harmony et Pro Rangetops

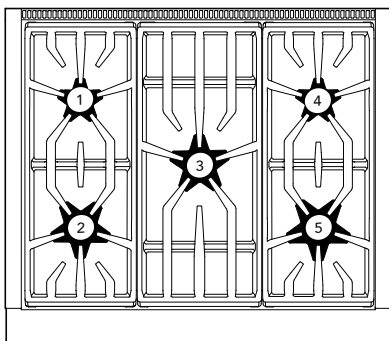
PALPKITHW	Pour les cuisinières Pro Harmony bi-énergie et les Pro Rangetops à 4 et 6 STAR® brûleurs
PALKITHW5	Pour les cuisinières Pro Harmony bi-énergie et les Pro Rangetops à 5 STAR® brûleurs
PALPKITHA5	Pour les cuisinières à gaz Pro Harmony à 5 STAR® brûleurs
PALPKITGA	Pour les cuisinières à gaz Pro Harmony 30" et 36" à 4 et 6 STAR® brûleurs
PALPKITGA6	Pour les cuisinières à gaz Pro Harmony 48" à 4 et 6 STAR® brûleurs

Modèle 304



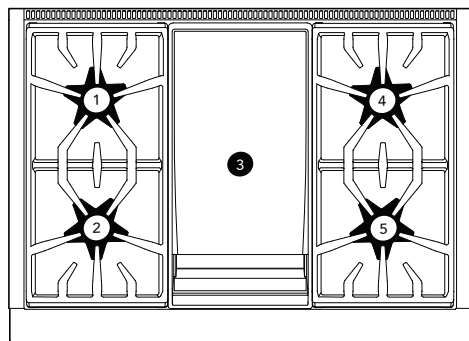
(1) 105	(3) 105
(2) 115	(4) 115

Modèle 305



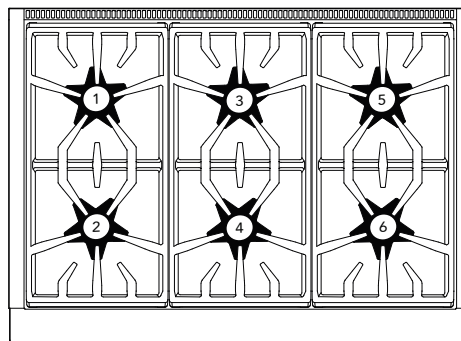
(1) 73	(3) 90	(4) 73
(2) 115		(5) 105

Modèle 364 avec plaque



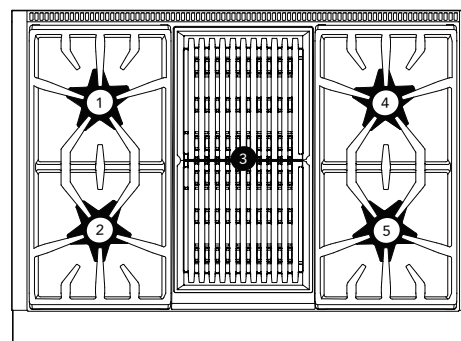
(1) 105	(3) —	(4) 105
(2) 115		(5) 115

Modèle 366



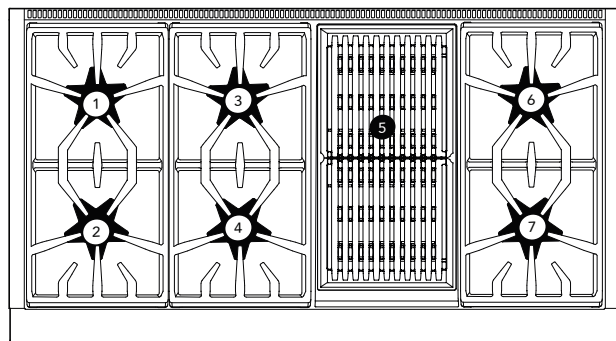
(1) 105	(3) 105	(5) 105
(2) 115	(4) 115	(6) 115

Modèle 364 avec gril



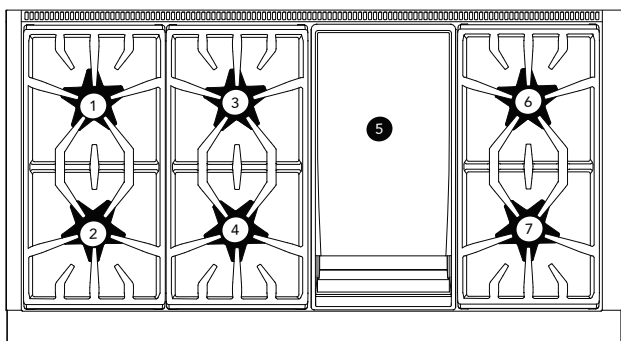
(1) 105	(3) —	(4) 105
(2) 115		(5) 115

Modèle 486 avec gril



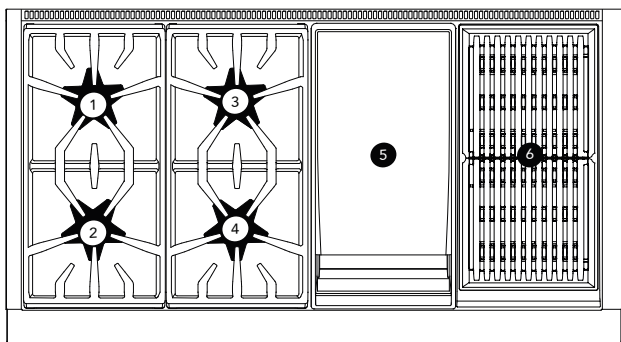
(1) 105	(3) 105	(5) —	(6) 105
(2) 115	(4) 115		(7) 115

Modèle 486 avec plaque



(1) 105	(3) 105	(5) —	(6) 105
(2) 115	(4) 115		(7) 115

Modèle 486 avec plaque et grill

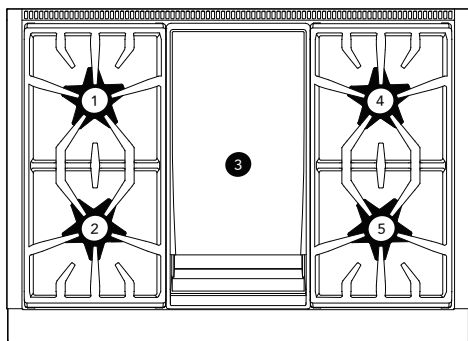


(1) 105	(3) 105	(5) —
(2) 115	(4) 115	(6) —

## Trousses de conversion de ports de STAR® brûleurs au gaz propane (PL) pour la gamme Pro Grand

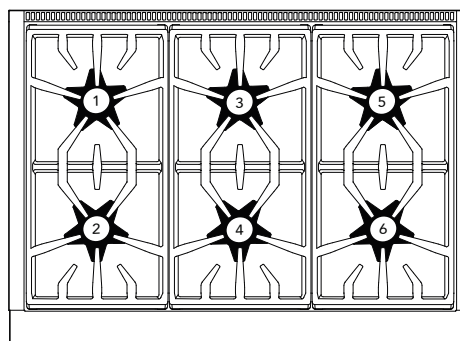
PALPKITDGW	Pour toutes les cuisinières Pro Grand bi-énergie
PALPKITGGW	Pour toutes les cuisinières à gaz Pro Grand

Modèle 364 avec plaque



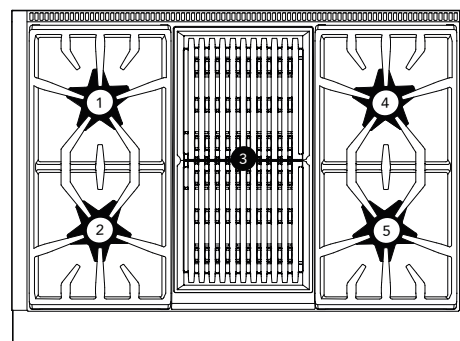
(1) 105	(3) —	(4) 105
(2) 126		(5) 115

Modèle 366



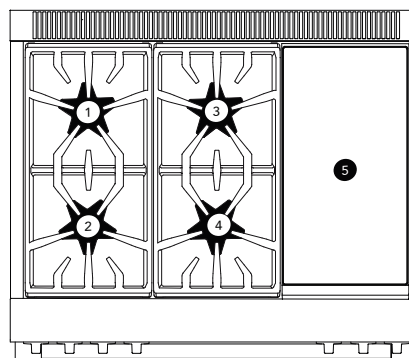
(1) 105	(3) 105	(5) 105
(2) 126	(4) 115	(6) 115

Modèle 364 avec grill



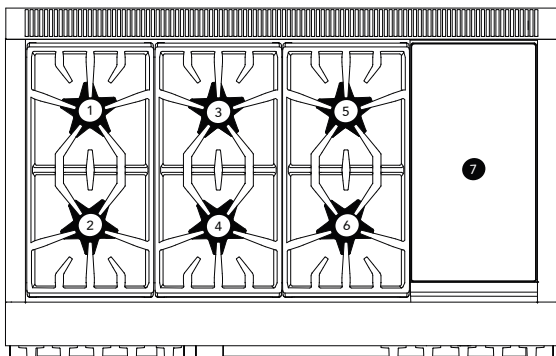
(1) 105	(3) —	(4) 105
(2) 126		(5) 115

Modèle 364 avec induction



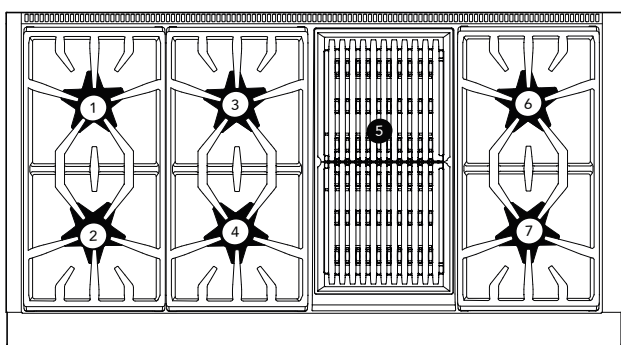
(1) 105	(3) 105	(5) —
(2) 126	(4) 115	

Modèle 486 avec induction



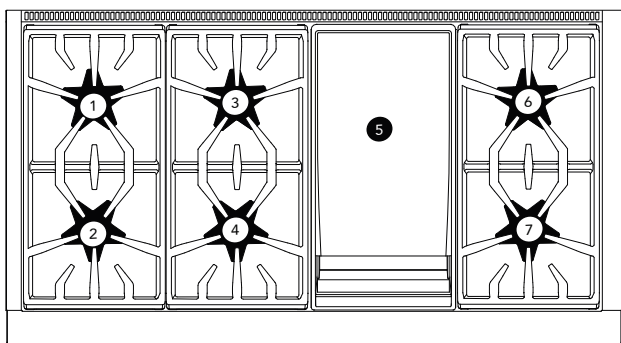
(1) 105	(3) 105	(5) 105	(7) —
(2) 126	(4) 115	(6) 115	

Modèle 486 avec gril



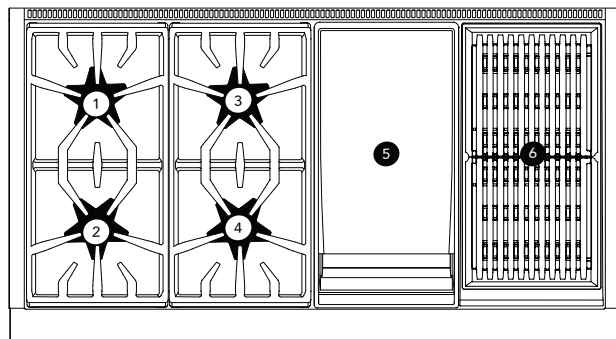
(1) 105	(3) 105	(5) —	(6) 105
(2) 126	(4) 115		(7) 115

Modèle 486 avec plaque



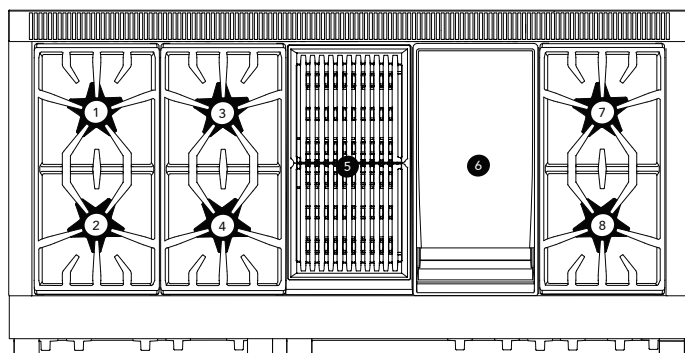
(1) 105	(3) 105	(5) —	(6) 105
(2) 126	(4) 115		(7) 115

Modèle 486 avec plaque et gril



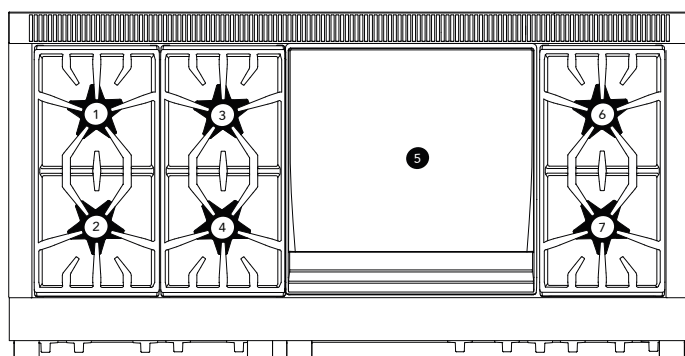
(1) 105	(3) 105	(5) —
(2) 126	(4) 115	(6) —

Modèle 606 avec gril et plaque



(1) 105	(3) 105	(5) —	(7) 105
(2) 126	(4) 115		(6) —

Modèle 606 avec plaque



(1) 105	(3) 105	(5) —	(6) 105
(2) 126	(4) 115		(7) 115



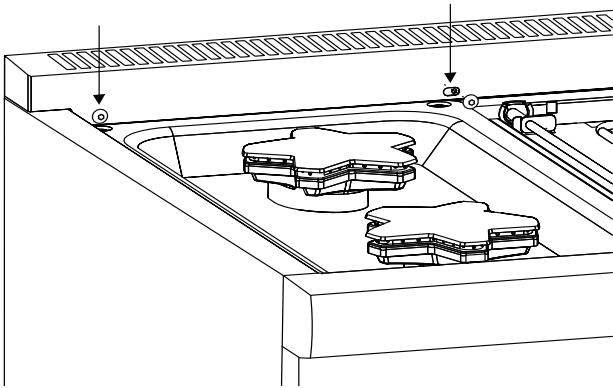
## Remplacement du port du gril, uniquement sur les cuisinières à GAZ (modèles PRG)

### ⚠ MISE EN GARDE

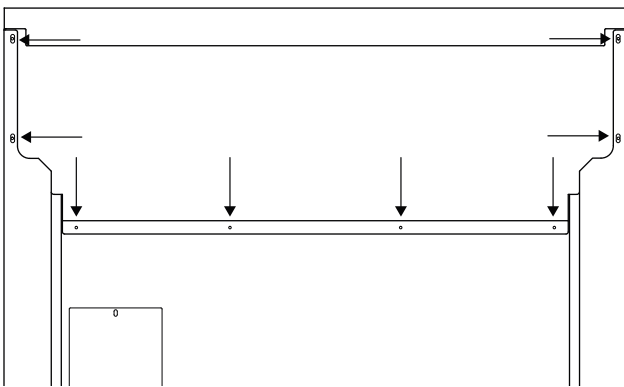
Après le remplacement du port du gril, et avant de réassembler le panneau arrière et le dossier de la cuisinière, effectuer un bref essai d'étanchéité sur le port et les raccords connexes, conformément à la section « Inspection des fuites de gaz » des présentes directives.

### Retrait du module du dossier

1. Sortir la cuisinière de l'endroit où elle est installée pour librement accéder au panneau arrière du module du dossier et aux ports de gril.
2. Utiliser un tournevis Torx T-20 pour dévisser les vis de la façade du module du dossier.



3. Utiliser un tournevis Torx T-20 pour dévisser les vis du panneau arrière du module du dossier.



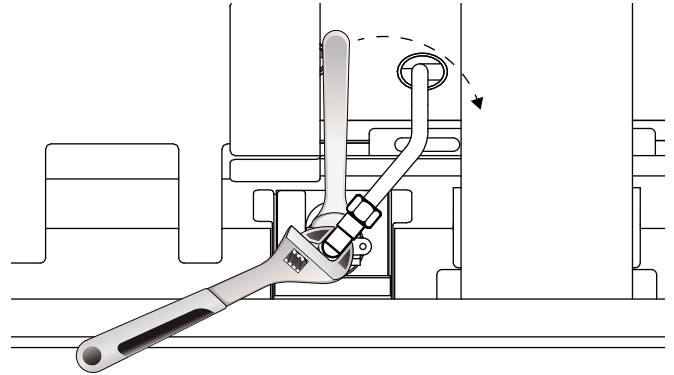
4. Soulever délicatement le module du dossier pour le retirer de la cuisinière.

### Remplacement du port du brûleur du gril

**REMARQUE :** Cette procédure s'applique à la fois au brûleur de gril du four principal et, le cas échéant, au brûleur de gril du four auxiliaire.

1. Retirer le port du gril avec la clé polygonale de 7/16 po tout en empêchant le raccord en coude de tourner en le tenant avec une petite clé réglable.

**IMPORTANT :** NE PAS plier l'équerre du port du brûleur du gril. S'assurer que le port du gril est aligné au centre de la conduite d'admission du brûleur.



2. Étiquetez chacun des ports enlevés, en notant de quel brûleur ils ont été retirés, dans l'éventualité où l'appareil serait ultérieurement converti de nouveau au gaz naturel. Pour votre commodité, notez la taille et l'emplacement des ports dans le tableau suivant.

Gril du four principal	Gril du four auxiliaire

3. Localiser les bons ports de brûleurs compris dans la trousse. Les ports sont estampillés avec le diamètre de l'orifice sur le côté.
4. Remplacez les ports comme indiqué dans le tableau. Pour éviter toute fuite de gaz dans cette zone, vérifiez que le port est bien en place et vissé serré contre le support de fixation et le coude à 90° du port du brûleur.

### Pro Grand

Modèles	Gril du four principal	Gril du four auxiliaire
Tous les modèles	1,25 mm (125)	0,813 mm (813) ou or "67"

### Pro Harmony

Modèles	Gril du four principal	Gril du four auxiliaire
30" & 36"	1.30 (130)	—
48"	1.25 (125)	0.82 mm (82)

**REMARQUE :** Les ports de rechange du gril comportent un filetage droit (et non conique) et NE requièrent PAS de produit d'étanchéité.

5. Passez à la section "Réinstallation de la porte du four avant de vérifier l'étanchéité des ports de gril et de cuisson" avant de réassembler le module du dossier. Une fois que tous les ports des brûleurs de gril et de cuisson ont été remplacés et convertis au gaz PL, réinstallez les portes du four avant de vérifier



l'étanchéité de tous les ports de gril et de cuisson remplacés, de même que les raccords qui leur correspondent.

## Remplacement du port de cuisson, uniquement sur les cuisinières à GAZ (modèles PRG)

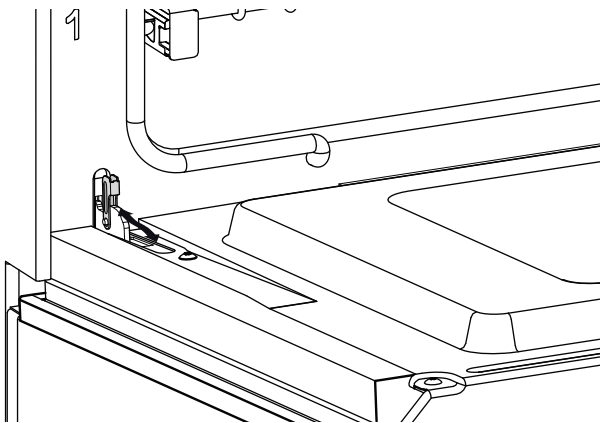
### ⚠ MISE EN GARDE

- FAIRE PREUVE DE PRUDENCE AU RETRAIT DE LA PORTE. **ELLE EST TRÈS LOURDE.**
- Avant de démonter la porte, s'assurer que le four soit froid et que le courant qui l'alimente a été coupé. Le non-respect de cette précaution pourrait entraîner un choc électrique ou des brûlures.
- La porte du four est lourde et fragile. L'enlever à deux mains ou remplacer la porte.
- Si la porte du four n'est pas saisie fermement et correctement, il y a un risque de blessure et de dommage à l'appareil.
- Sans la porte, ne jamais relâcher les leviers ni essayer de fermer les charnières. Sans la poids de la porte, les puissants ressorts fermeront les charnières avec une poussée importante.

Pour accéder aux ports du brûleur de cuisson, vous devez retirer la porte du four, la plinthe amovible et le panneau avant inférieur, s'il y a lieu.

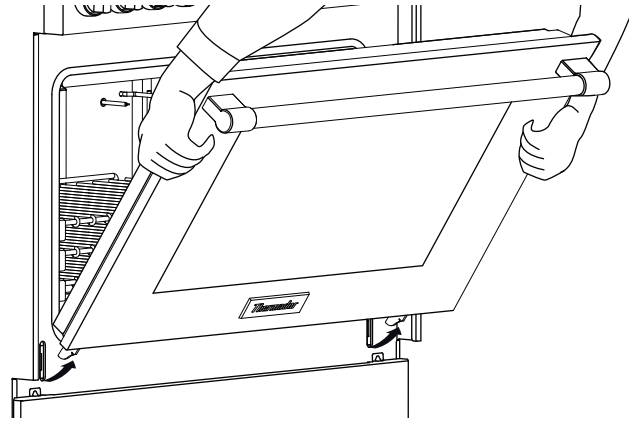
### Retrait de la porte du four

1. Ouvrir la porte au maximum. Abaisser les crochets de la charnière des deux côtés de la porte. Par la suite, il est possible que vous ayez besoin d'un tournevis pour dégager délicatement les crochets.



2. Fermer délicatement la porte jusqu'à ce qu'elle soit appuyée sur les crochets. Les crochets de la charnière maintiendront la porte ouverte à un angle de près de 30 degrés par rapport à sa position fermée.

3. Saisir fermement la porte par les extrémités. Soulever la porte et la sortir. Il y aura une certaine résistance provenant des ressorts.

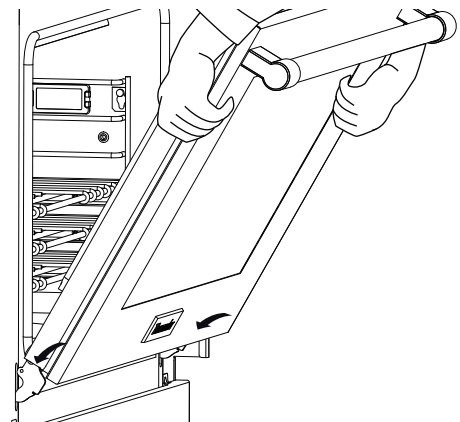


4. Placer la porte dans un endroit sécuritaire et stable.

### Réinstallation de la porte du four avant de vérifier l'étanchéité des ports de gril et de cuisson

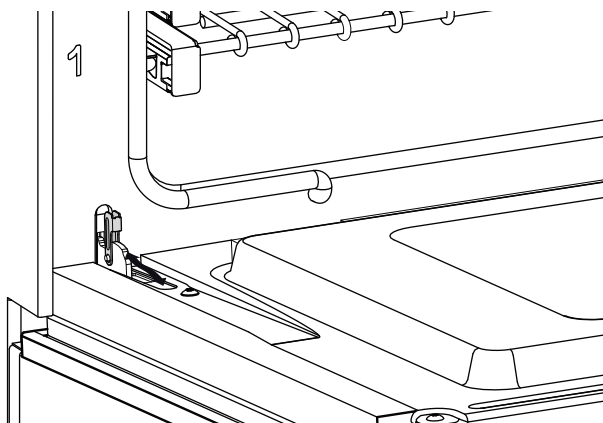
Une fois les ports de cuisson remplacés et l'étanchéité de l'appareil testée avec succès, réinstallez la porte du four, la plinthe amovible et le panneau avant inférieur.

1. Maintenir fermement la porte des deux mains.
2. Tenir la porte à près de 30 degrés par rapport à la position fermée. Insérer les charnières au centre dans les fentes à cet effet. Lorsque bien installées, les charnières s'accrochent solidement dans les fentes. **NE PAS** exercer de force sur la porte, ni la plier ou la tordre.



3. Ouvrir la porte au maximum pour exposer les charnières, les leviers et les fentes.

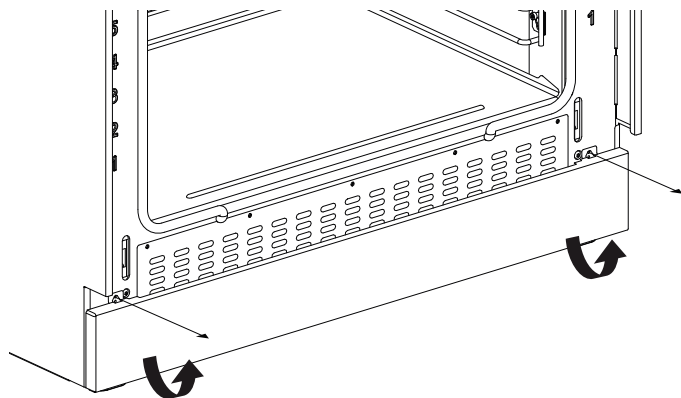
- Faire basculer la charnière vers l'avant jusqu'à ce qu'elle soit bien appuyée sur l'équerre de fixation. Il est possible que vous ayez besoin d'un tournevis pour ramener délicatement le crochet.



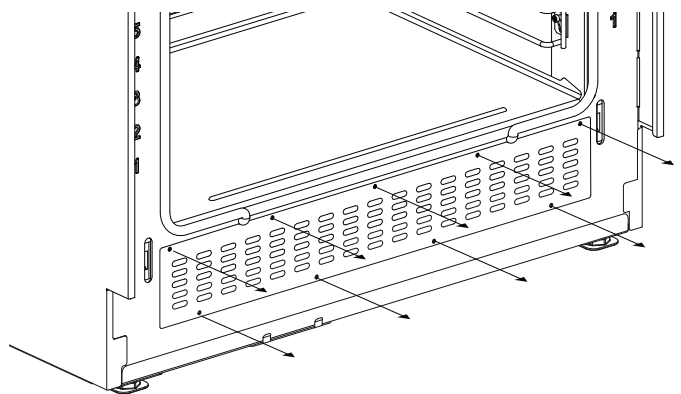
- Fermer et ouvrir la porte lentement pour s'assurer qu'elle est correctement et solidement installée.

#### Retrait des panneaux décoratif et de façade

- Dévisser les vis du panneau décoratif avec un tournevis Torx T-20.



- Dévisser les vis du panneau de façade avec un tournevis Torx T-20.

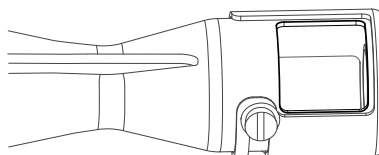


## Changement du brûleur de cuisson, sur les cuisinières au GAZ seulement (modèles PRG)

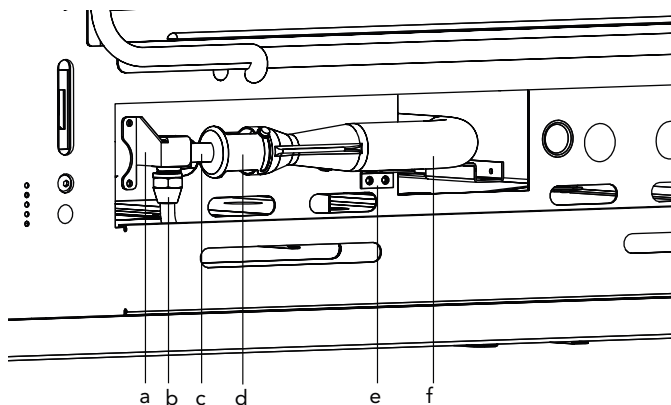
### Changement du port de cuisson du four principal

#### IMPORTANT :

- Ne pliez pas le raccord du brûleur de cuisson.
- Ne pliez pas la conduite d'admission du brûleur de cuisson.
- Le volet d'air du brûleur de cuisson doit rester complètement ouvert. Si le volet d'air n'est pas complètement ouvert, desserrez la vis du volet et réglez-la à la position indiquée. Resserrez la vis pour fixer le volet.



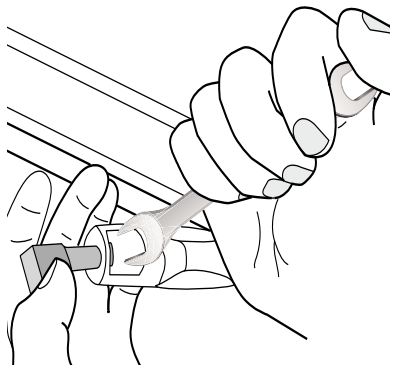
- Ne retirez pas la patte anti-rotation lors du changement de port. Elle est essentielle à l'alignement du raccord du brûleur de cuisson au port du brûleur. Après le remplacement du brûleur, cette patte permet de réaligner plus aisément le raccord du brûleur.



a. Patte anti-rotation	b. Conduite d'admission de cuisson
c. Raccord coudé	d. Obturateur
e. Support de fixation du raccord de brûleur de cuisson	f. Raccord du brûleur de cuisson

- Retirez la conduite d'admission de cuisson à l'aide d'une clé polygonale de 13/16 po.

- Dévissez les deux vis du support de fixation du raccord du brûleur de cuisson avec le tournevis torx T-20.



- Insérez une clé polygonale de 1/2 po dans l'ouverture de l'obturateur pour retenir le port de cuisson tout en tournant manuellement le raccord coudé du port dans le sens antihoraire.

- Remplacez le port comme l'indique le tableau.

#### Pro Grand

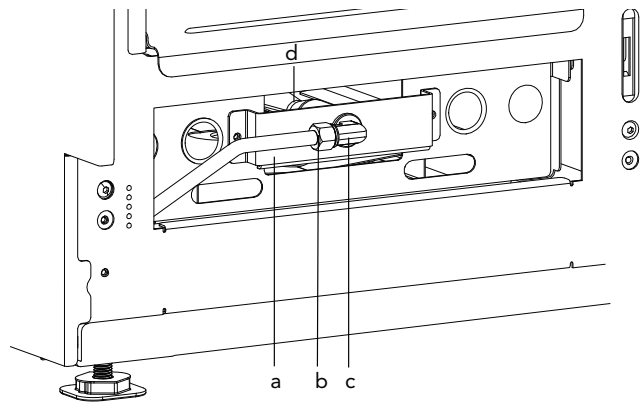
Modèle	Cuisson four principal
Tous les modèles	1.46 mm (146)

#### Pro Harmony

Modèle	Cuisson four principal
Tous les modèles	1.34 (134)

- Vérifiez que le port de cuisson est aligné au centre de la conduite d'admission du brûleur. Réinstallez la conduite d'admission du brûleur de cuisson sous le four. Le cas échéant, utilisez une lampe de poche pour repérer plus facilement la fente de positionnement de la conduite d'admission du brûleur à l'arrière de la cavité du brûleur.
- Réinsérez le raccord coudé dans la patte anti-rotation. Revissez les deux vis du support de fixation du brûleur de cuisson et serrez la conduite d'admission.
- Si la cuisinière à gaz est un four simple, vérifiez l'étanchéité du port et de ses raccords en suivant les directives de la section "Inspection des fuites de gaz". Si la cuisinière à gaz est équipée d'un four auxiliaire, suivez les instructions suivantes.

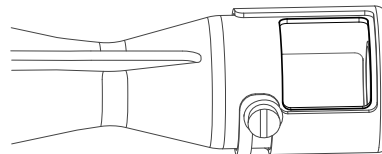
#### Changement du port de cuisson du four auxiliaire



a. Support de fixation du brûleur de cuisson du four auxiliaire	b. Conduite d'admission du brûleur de cuisson du four auxiliaire
c. Raccord coudé	d. Raccord du brûleur de cuisson

#### IMPORTANT :

- Ne pliez pas le raccord du brûleur de cuisson.
- Ne pliez pas la conduite d'admission du brûleur de cuisson.
- Le volet d'air du brûleur de cuisson doit rester complètement ouvert. Si le volet d'air n'est pas complètement ouvert, desserrez la vis du volet et réglez-la à la position indiquée. Resserrez la vis pour fixer le volet.



- Dévissez les deux vis du support de fixation du raccord du brûleur de cuisson avec le tournevis torx T-20. Tirez doucement le support et la conduite d'admission vers vous.

**REMARQUE :** Il n'est pas nécessaire de desserrer la conduite d'admission de cuisson du four auxiliaire.

- À l'aide d'une clé à molette, retenez le raccord coudé. Avec la clé polygonale de 1/2 po, dévissez le port du brûleur de cuisson du four auxiliaire. Pour votre commodité, notez la taille et l'emplacement des ports dans le tableau suivant.

Cuisson four principal	Cuisson du four auxiliaire

- Remplacez le port comme l'indique le tableau.

## Pro Grand

Modèles	Port de cuisson du four auxiliaire
Tous les modèles	1.13 mm (113)

## Pro Harmony

Modèles	Port de cuisson du four auxiliaire
30"	—
36"	—
48" 4 & 6-brûleurs	1.17 (117)

**REMARQUE :** Les ports de cuisson de remplacement ont des filetages cylindriques (et non des filetages coniques) et NE nécessitent PAS de produit d'étanchéité.

4. Avant de replacer le support de fixation du brûleur auxiliaire, vérifiez l'étanchéité du port et les raccords d'alimentation qui lui correspondent, selon les directives de la section "Inspection des fuites de gaz" .

## Inspection des fuites de gaz

### ⚠ AVERTISSEMENT

NE PAS utiliser une flamme quelconque pour vérifier l'étanchéité.

### ⚠ MISE EN GARDE

NE PAS vaporiser de solution d'eau sur les dispositifs électriques exposés. Si la solution coule sur des composants électriques, couper l'alimentation avant d'essayer les pièces.

### ⚠ MISE EN GARDE

Vérifiez que les bornes du fil d'allumage du brûleur STAR ne touchent pas le métal du châssis, ou toute pièce métallique, pour éviter les étincelles. Ne touchez pas les fils de l'allumeur lorsque le brûleur est allumé pour éviter de subir un choc électrique.

Un test d'étanchéité doit être effectué après le remplacement des ports et avant le réassemblage complet de l'appareil. Cependant, les portes de l'appareil doivent également être installées et fermées afin de vérifier l'étanchéité des brûleurs de grill et de cuisson.

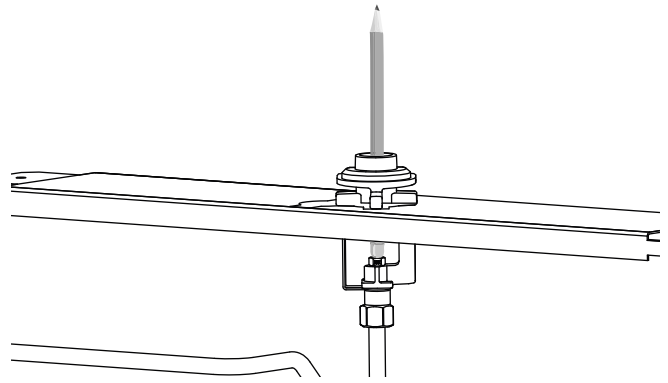
L'essai d'étanchéité de l'appareil doit être effectué conformément aux instructions suivantes.

### Inspection des fuites de gaz sur les brûleurs de cuisinière STAR®

1. Vérifiez que les ports sont bien serrés et que toutes les vannes et commandes sont en position OFF.
2. Branchez l'alimentation électrique et de gaz.
3. Vaporisez une quantité généreuse d'eau savonneuse, ou d'une autre solution conçue pour vérifier s'il y a des

fuites de gaz sur la jonction fileté à la base du port, le raccord coudé et l'écrou de compression du tuyau de gaz. (Un mélange d'un volume de liquide à vaisselle pour trois volumes d'eau est efficace.) Évitez de pulvériser les composants électriques.

4. Allumez le bouton du brûleur STAR correspondant sur HI tout en bloquant fermement le port du brûleur STAR avec une gomme à effacer souple, votre doigt ou tout objet similaire.



5. Surveillez la base de la jonction du port, du raccord coudé et de l'écrou de compression pour voir si des bulles se forment autour de ces joints.
  - La formation de bulles indique des fuites de gaz.
6. Si l'appareil fuit, réparez immédiatement toutes les fuites de gaz. Ne serrez pas trop les joints, les ports ou les écrous, et ne pliez pas les tuyaux de gaz.
7. Répétez l'opération pour tous les brûleurs STAR.

### Vérification d'étanchéité du ou des ports de brûleurs de grill

1. Vaporisez une quantité généreuse d'eau savonneuse, ou d'une autre solution conçue pour vérifier s'il y a des fuites de gaz sur la jonction fileté à la base du port, le raccord coudé et l'écrou de compression du tuyau de gaz. (Un mélange d'un volume de liquide à vaisselle pour trois volumes d'eau est efficace.) Évitez de pulvériser les composants électriques.
2. Tournez le bouton de commande de mode de cuisson et celui de la température du four sur BROIL (GRIL) tout en bloquant le port du grill avec une gomme à effacer souple, votre doigt ou un objet similaire.
  - Comptez un délai d'environ 45 à 90 secondes pendant que la bobine de la soupape de sécurité chauffe pour libérer le poussoir. Un dé clic se fait généralement entendre lorsque la soupape de sûreté du grill s'ouvre.
3. Surveillez la base de la jonction du port, du raccord coudé et de l'écrou de compression pour voir si des bulles se forment autour de ces joints.
  - La formation de bulles indique des fuites de gaz.
4. Si l'appareil fuit, réparez immédiatement toutes les fuites de gaz. Ne serrez pas trop les joints, les ports ou les écrous, et ne pliez pas les tuyaux de gaz.

- Le cas échéant, répétez l'opération pour le port de gril du four auxiliaire.

### Vérification d'étanchéité du ou des ports de brûleurs de cuisson

- Vaporisez une quantité généreuse d'eau savonneuse, ou d'une autre solution conçue pour vérifier s'il y a des fuites de gaz sur la jonction fileté à la base du port, le raccord coudé et l'écrou de compression du tuyau de gaz. (Un mélange d'un volume de liquide à vaisselle pour trois volumes d'eau est efficace.) Évitez de pulvériser les composants électriques.
- Tournez le bouton de commande du mode de cuisson sur BAKE (CUISSON) et le bouton de commande de température du four sur n'importe quel réglage tout en bloquant du doigt le port de cuisson.
  - Comptez un délai d'environ 45 à 90 secondes pendant que la bobine de la soupape de sécurité chauffe pour libérer le poussoir. Un déclic se fait généralement entendre lorsque la soupape de sûreté du gril s'ouvre.
- Surveillez la base de la jonction du port, du raccord coudé et de l'écrou de compression pour voir si des bulles se forment autour de ces joints.
  - La formation de bulles indique des fuites de gaz.
- Si l'appareil fuit, réparez immédiatement toutes les fuites de gaz. Ne serrez pas trop les joints, les ports ou les écrous, et ne pliez pas les tuyaux de gaz.
- Le cas échéant, répétez l'opération pour le port de cuisson du four auxiliaire.
- Si la vérification d'étanchéité n'a révélé aucune fuite, coupez l'alimentation en gaz et en électricité. Réinstallez le support de fixation du brûleur de cuisson du four auxiliaire, s'il y a lieu, et passez à la section "Vérification du rendement de la flamme et du brûleur".

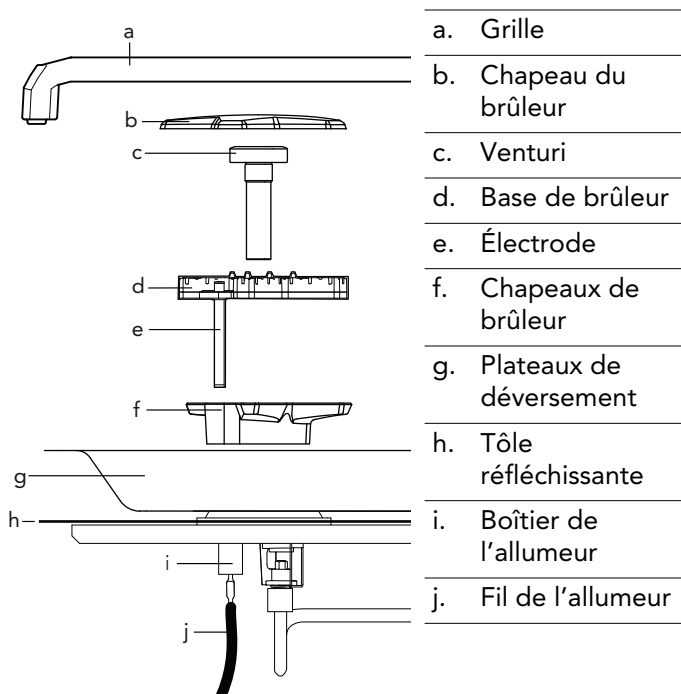
### Vérification du rendement de la flamme et du brûleur

#### ⚠ AVERTISSEMENT

Lors de la cuisson avec les brûleurs STAR, la taille de la flamme du brûleur doit être réglée de manière à ce qu'elle ne dépasse pas le bord de l'ustensile de cuisson. Cette directive se fonde sur des critères de sécurité.

Pour observer les flammes de brûleurs, il sera probablement nécessaire d'éteindre les lampes ou de fermer les stores de la fenêtre pour obscurcir la pièce pour mieux voir la flamme.

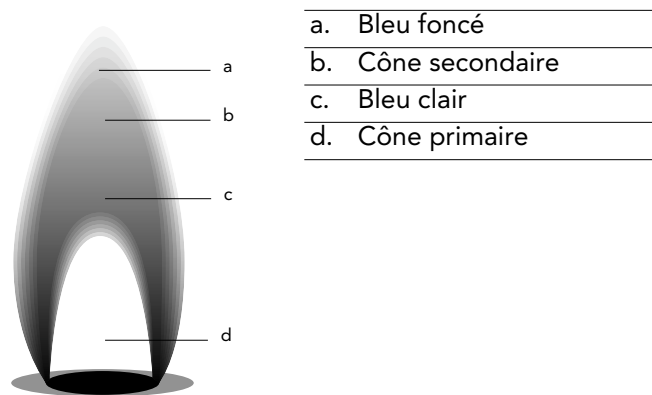
### Remonter l'appareil dans la séquence qui suit :



**CONSEIL :** Utilisez le Venturi du brûleur comme guide de centrage lorsque vous réinstallez les bases de brûleurs. Si les bases sont centrées, le Venturi s'insérera et se retirera facilement une fois la vis torx T-30 vissée. Si les bases ne sont pas centrées correctement, desserrez la vis de montage et recentrez le brûleur jusqu'à ce que le Venturi s'insère naturellement.

### Mise à l'essai de l'allumage des brûleurs STAR

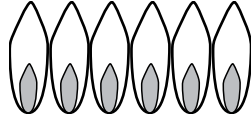
- Enfoncer le bouton de commande du brûleur et le tourner à « HI »
  - Le module de l'électrode et de la bougie de l'allumeur produira un déclic. Une fois l'air purgée des conduites d'alimentation, le brûleur devrait s'allumer dans les quatre (4) secondes.
  - Les flammes devraient être stables sans bruit excessif. Les cônes intérieurs des flammes doivent être bien définis et être distinctement séparés l'un de l'autre. La flamme, tout autour du brûleur, ne doit pas comporter des parties excessivement élevées ou de flammes « paresseuses ».



**REMARQUE :** Il est normal que des pointes légèrement jaunes apparaissent à l'extrémité des flammes après quelques minutes de fonctionnement au gaz propane (LP). Les traits orangés dans la flamme sont produits par la combustion de débris flottant dans l'air. Ce phénomène est normal durant les moments suivant l'allumage et devrait se dissiper après quelques minutes de fonctionnement.

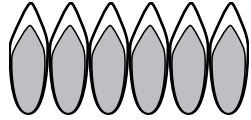
**Flammes jaunes :**

Réglage supplémentaire requis.



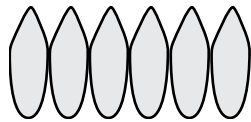
**Extrémités des cônes externes jaunes :**

Normales pour un gaz de pétrole liquéfié

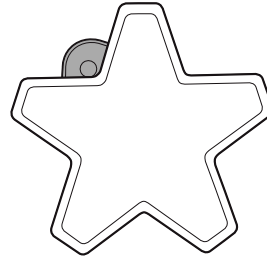
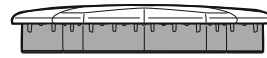


**Flammes bleues douces :**

Normales pour le gaz naturel



- Une flamme «paresseuse», avec de très longues flammes, peut se créer en raison d'un chapeau de brûleur mal placé. Plusieurs des manteaux supérieurs des flammes individuelles auront tendance à fusionner ou à confluier. S'assurer que le chapeau du brûleur est convenablement installé sur la base du brûleur. Lorsque positionné correctement, le chapeau devrait être assez à plat sur la base et ne pas trop se balancer.



**Chapeau du brûleur bien installé**



**Chapeau du brûleur mal positionné**

2. Ajuster la soupape de commande du brûleur à LO pour vérifier si la flamme continue de brûler tout autour du brûleur. Éteindre la flamme en soufflant dessus ou en l'éventant à l'aide d'un bloc-notes ou d'un morceau de carton, puis observer la capacité du brûleur à se rallumer et à propager la flamme sur tout le brûleur en quelques secondes (propagation de la flamme). La propagation de la flamme est essentielle pour l'allumage et le rallumage adéquats du brûleur.

3. Tester la capacité de rallumage des brûleurs à XLO® et observer la propagation des petites flammes de mijotage pendant que le système XLO allume et éteint les brûleurs.

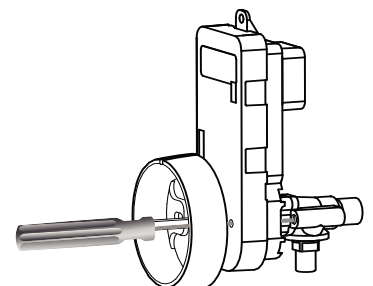
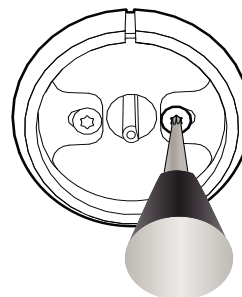
- Si le rendement de la flamme n'est pas convenable, il peut s'avérer nécessaire d'ajuster de nouveau la vis de la soupape pour un brûleur supérieur qui ne propage pas assez la flamme. Tourner très légèrement la vis de la soupape dans le sens antihoraire jusqu'à ce que la propagation de la flamme soit acceptable. (Consulter "Réglage des vis de la soupape des brûleurs STAR®").
- Si la flamme d'un brûleur est inégale, scintille, produit des bruits excessifs ou s'élève, certaines des fentes de la base du brûleur sont possiblement obstruées par des débordements d'aliments ou par d'autres débris. Les fentes bloquées peuvent être nettoyées à l'aide d'un trombone, d'une épingle ou d'un objet semblable. Les aliments ou les débris incrustés et difficiles à enlever peuvent parfois être retirés en utilisant une laine d'acier ou une brosse de soies métalliques fines.

4. Recommencer les procédures de mise à l'essai de l'allumage et de la flamme pour chacun des brûleurs de la table de cuisson.

**Réglage des vis de la soupape des brûleurs STAR®**

Un tournevis à lame plate d'une largeur de 2.5 mm doit être utilisé pour ajuster les vis de soupape.

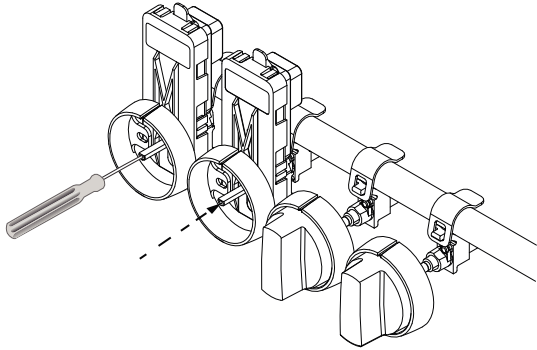
1. Tournez le bouton dans le sens antihoraire.
  - Brûleurs standards : Tourner d'un tour complet jusqu'à ce que le bouton ne puisse plus être tourné.
  - Brûleurs XLO : Tourner à LOW (FAIBLE).
2. Enlever le bouton de la tige de la soupape en le tirant lentement vers l'extérieur, en vous éloignant du panneau de commande.
3. **Pour régler les vis de la soupape du brûleur sur tous les modèles sauf les modèles à 8 brûleurs :** Enlever la vis de montage de la collerette d'encastrement située à la droite de la tige de la soupape avec une clé Torx T-20. Insérer le tournevis à lame dans le trou de la collerette d'encastrement.





### Pour régler les vis de la soupape du brûleur sur les modèles à 8 brûleurs :

Insérez le tournevis à lame plate inclus dans le trou de la tige de valve.



4. Accéder aux vis de soupape par le trou de passage du module d'allumage. Vous devriez sentir le contact entre le tournevis et la vis de soupape.
5. Ajuster en tournant la vis de soupape d'environ 1/8<sup>e</sup> de tour. Tourner la vis en sens horaire pour réduire la taille de la flamme de mijotage. Tourner la vis en sens antihoraire pour augmenter la taille de la flamme de mijotage. Tourner le moins possible la vis de la soupape pour atteindre le résultat de mijotage souhaité. En raison des fluctuations normales de la pression du gaz, un ajustement trop fin de la vis de la soupape pourrait influencer la stabilité de la flamme.

### Vérification de l'allumage et de la flamme du brûleur de grill au gaz (cuisinière à gaz seulement)

**REMARQUE :** La ou les portes doivent être installées et fermées.

1. Mettre à l'essai l'allumage du brûleur de grill (uniquement les cuisinières au GAZ). Tourner le bouton de mode de cuisson et celui de la température du four à GRIL (BROIL).
  - L'allumeur de la surface chaude essaiera d'allumer le brûleur du grill entre 45 et 90 secondes environ, période au cours de laquelle le serpentin de la soupape de sécurité chauffe pour s'ouvrir. Une fois l'air purgé des conduites d'alimentation en gaz, le brûleur du grill devrait s'allumer dans les quatre (4) secondes.
  - Observez le comportement de la flamme du grill à travers la fenêtre de la porte du four. Les carreaux de céramique du brûleur devraient devenir rouge (infrarouge) après quelques minutes de fonctionnement. Si après quelques minutes de fonctionnement, le brûleur ne brille que légèrement en rouge (et affiche une flamme bleue flottant au-dessus de la surface du brûleur), vérifier le bon alignement du port du brûleur avec le centre de l'admission en gaz du brûleur.
2. S'il y a lieu, répétez l'opération pour le four auxiliaire.

3. Si le brûleur du grill brûle de façon satisfaisante, réinstallez le dossier sur l'appareil (voir "Retrait du module du dossier" à la page 36).

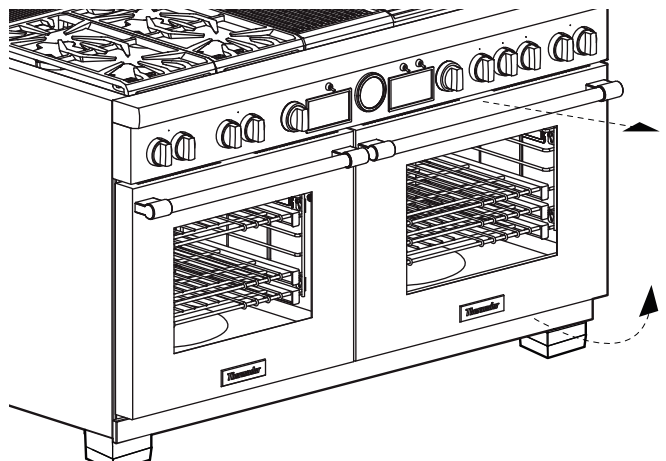
### Vérification de la performance du ou des brûleurs de cuisson

1. Installez le panneau avant (voir la 38).
2. Tournez le bouton de commande du mode de cuisson du four principal sur BAKE (CUISSON) et le bouton de commande de la température du four sur n'importe quel réglage.
  - L'allumeur de surface chaude tentera d'allumer le tube du brûleur après environ 45 à 90 secondes, alors que la bobine de la soupape de sûreté chauffe pour s'ouvrir. Une fois que l'air a été purgé des conduites d'alimentation en gaz, le brûleur devrait s'allumer en quatre (4) secondes.
  - Observez la flamme du brûleur de cuisson à travers les fentes du panneau avant inférieur. Vérifiez si de grandes "pointes jaunes" apparaissent à l'extrémité des flammes, en gardant à l'esprit que de petites pointes jaunes sont normales pour les brûleurs fonctionnant au gaz propane (PL), dans les flammes élevées ou les flammes "paresseuses".
3. S'il y a lieu, répétez l'opération pour le four auxiliaire.
4. Si les brûleurs de cuisson fonctionnent correctement, réinstallez la plinthe amovible (voir 38).

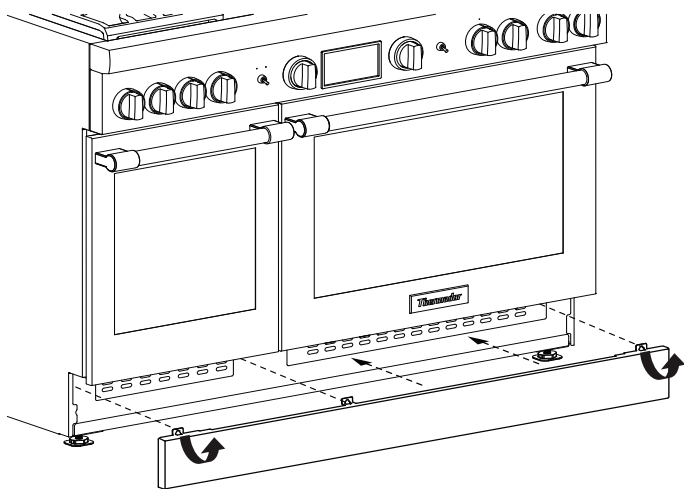
### Apposition de l'étiquette de conversion

1. Pour une bonne identification et bien mettre en évidence la conversion de l'appareil au gaz propane (PL), apposer l'étiquette de conversion fournie à un endroit à côté des étiquettes de la plaque signalétique de l'appareil.

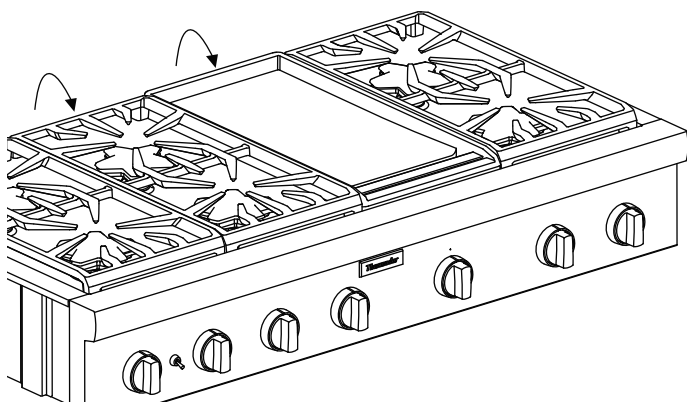
### Apposition de l'étiquette de conversion Pro Grand



### Apposition de l'étiquette de conversion Pro Harmony



### Apposition de l'étiquette de conversion Pro Rangetop



2. Après avoir apposé l'étiquette de conversion, utiliser un marqueur permanent pour y inscrire la date, le nom et l'adresse de l'entreprise de réparation.
3. Consultez la "Liste de vérification" à la page 28 pour vérifier que toutes les étapes ont été suivies.
4. Laissez ce manuel d'installation et toutes les pièces enlevées au propriétaire de l'appareil pour un usage futur ou la reconversion de l'appareil au gaz naturel.



## Índice

Instrucciones de seguridad importantes .....	46
<b>Instrucciones para la conversión a gas propano (LP)</b>	<b>48</b>
Antes de empezar .....	48
Lista de comprobación .....	49
<b>Procedimiento de instalación .....</b>	<b>51</b>
Desensamblar la parrilla de gas .....	51
Convertir el regulador a LP .....	51
Reemplazar las espreas de los quemadores STAR® .....	52
Tablas de conversión de la esprea del quemador de propano (LP) .....	53
Reemplazar la esprea para asar, solo en estufas de gas (modelos PRG) .....	57
Reemplazar la esprea del quemador para hornear, solo en estufas de gas (modelos PRG) .....	58
Prueba para detectar fugas de gas .....	61
Comprobar la llama y el rendimiento del quemador .....	63
Ajustar los tornillos de las válvulas de los quemadores STAR .....	64
Colocar la etiqueta de conversión .....	65
<b>Soporte, accesorios y partes .....</b>	<b>contraportada</b>

## Definiciones de seguridad

### ⚠ ADVERTENCIA

Esto indica que se pueden producir lesiones graves o la muerte si no se cumple con esta advertencia.

### ⚠ PRECAUCIÓN

Esto indica que pueden producirse lesiones leves o moderadas si no se cumple con esta advertencia.

**NOTA:** Esto indica que puede producirse un daño al electrodoméstico o a la propiedad como resultado de la falta de cumplimiento de este aviso.

**Nota:** Esto lo alerta sobre información y/o consejos importantes.

*Este electrodoméstico de THERMADOR®  
está hecho por BSH Home Appliances Corporation  
1901 Main Street, Suite 600  
Irvine, CA 92614*

*¿Preguntas?*

1-800-735-4328

www.thermador.com

*¡Esperamos oír de usted!*

# INSTRUCCIONES DE SEGURIDAD IMPORTANTES

## LEER Y CONSERVAR ESTAS INSTRUCCIONES

### Leer atentamente

Guardar las piezas de gas originales para una posible reconversión en el futuro.

**Importante:** Esta conversión solo puede realizarla un técnico de servicio o instalador calificados.

**Instalador:** Dejar estas instrucciones con esta unidad para el propietario.

**Propietario:** Conservar estas instrucciones para consultar en el futuro.

Se requiere un kit de gran altitud para unidades de gas natural de más de 5,400 pies (1,646 m) sobre el nivel del mar, y unidades de propano (LP) instaladas a altitudes de 10,000 pies (3,048 m) y mayor elevación sobre el nivel del mar. Consultar la contraportada para obtener información sobre mantenimiento, piezas y accesorios.

Este kit se utiliza para convertir determinados Modelos de las series Pro parrilla de gas, Pro Harmony y Pro Grand para que funcionen con gas propano (LP). No se puede utilizar este kit para convertir modelos antiguos de cocinas o estufas. No se puede utilizar este kit para convertir electrodomésticos de otras marcas.

#### ADVERTENCIA



**Si no se sigue exactamente la información de este manual, se puede producir un incendio o una explosión que pueden causar daños materiales, lesiones personales o la muerte.**

- **NO almacenar o usar gasolina u otros vapores y líquidos inflamables en la proximidad de este electrodoméstico o cualquier otro.**
- **QUÉ HACER SI DETECTA OLOR A GAS**
  - **NO intentar encender ningún electrodoméstico.**
  - **NO tocar ningún interruptor eléctrico.**
  - **NO usar ningún teléfono en su edificio.**
  - **Llamar inmediatamente al proveedor de gas desde el teléfono de un vecino. Seguir las instrucciones del proveedor de gas.**
  - **Si no es posible contactar con su proveedor de gas, comunicarse con el departamento de bomberos.**
- **La instalación y el mantenimiento los deben llevar a cabo un instalador calificado, una empresa de servicio o un proveedor de gas.**

Este kit se utiliza para convertir los electrodomésticos Thermador para que funcionen con gas propano (LP). Este kit incluye espreas para la correcta conversión a gas LP de los quemadores la superficie de cocción STAR® y de los quemadores para hornear y para asar de los hornos.

#### ADVERTENCIA



Este kit de conversión deberá ser instalado por una agencia de servicio calificada, de acuerdo con las instrucciones del fabricante y con todos los códigos y requisitos aplicables de la autoridad que tenga jurisdicción. En cualquier caso, la instalación de este kit de conversión debe cumplir con los códigos locales o, en el caso de que no existan códigos locales, con el Código Nacional de Gas Combustible (National Fuel Gas Code), ANSI Z223/NFPA 54 o, en Canadá, con el Código de Instalación de Gas Natural y Propano (Natural Gas and Propane Installation Code), CSA B149, últimas versiones. Si no se sigue exactamente la información de estas instrucciones, se puede producir un incendio, una explosión o una emisión de monóxido de carbono que pueden causar daños materiales, lesiones personales o la muerte. La agencia de servicio calificada es responsable de la instalación adecuada de este kit. La instalación no se considerará correcta y completa hasta que se haya comprobado el funcionamiento del electrodoméstico convertido, según lo especificado en las instrucciones del fabricante que se facilitan con el kit.

#### ADVERTENCIA

**No Operar Nunca La Zona De Cocción De La Superficie.**

- **Si no se observa esta advertencia, se podría producir una explosión o un riesgo de quemaduras que podría dar lugar a daños materiales, personales o incluso la muerte.**
- **Si ocurriera un incendio, mantenerse alejado del aparato y ponerse en contacto de inmediato con los bomberos. NO INTENTAR EXTINGUIR CON AGUA UN INCENDIO CAUSADO POR ACEITE/GRASA.**

# INSTRUCCIONES DE SEGURIDAD IMPORTANTES LEER Y CONSERVAR ESTAS INSTRUCCIONES

## Para instalaciones en Massachusetts

1. La instalación debe hacerla un contratista, plomero o instalador de gas calificados o con licencia del estado, provincia o región.
2. La llave de cierre tiene que ser una llave de gas en T.
3. La longitud del conector de gas flexible no debe ser superior a 36 pulgadas.

## Al realizar pruebas en el sistema de tuberías de suministro, deben cumplirse los siguientes requisitos:

- El electrodoméstico y su grifo de cierre individual deberán estar desconectados del sistema de tuberías de suministro de gas cuando las presiones de las pruebas superen 1/2 psi (3.5 kPa).
- El electrodoméstico debe aislarse del sistema de tuberías de suministro de gas cerrando su grifo de cierre individual manual durante cualquier prueba de presión del sistema de tuberías de suministro de gas con presiones iguales o inferiores a 1/2 psi (3.5kPa).

---

## PRECAUCIÓN

Al conectar la unidad con el gas propano, asegurarse de que el tanque de gas propano esté equipado con su propio regulador de alta presión. La presión de gas máxima que llegue al electrodoméstico no debe ser superior a 14.0 pulgadas de columna de agua desde el regulador del tanque de gas propano.

La presión del suministro de gas propano (liquid propane, LP) mínima para realizar la comprobación del regulador de presión del electrodoméstico a gas, una vez convertido para su uso con gas propano, debe encontrarse entre 11 pulgadas de columna de agua (2.7 kPa) y 14 pulgadas de columna de agua (3.5 kPa). Consultar la página 51 para obtener instrucciones sobre cómo convertir el regulador de presión de gas para el uso con gas propano (LP).

Conservar las espreas de gas natural que fueron retiradas del electrodoméstico para utilizarlas en el futuro. Asegurarse de marcar y etiquetar estas espreas de manera correcta, y de indicar el quemador correspondiente del que fueron retiradas.

---

## ADVERTENCIA

**NUNCA** dejar la conversión de gas parcialmente completa. Si se usa el electrodoméstico con la conversión incompleta, podrían emitirse altos niveles de monóxido de carbono o se podría producir un incendio o una explosión, daños materiales, personales o incluso la muerte.

---

Para regresar el electrodoméstico al uso con gas natural, seguir estas instrucciones con exactitud, pero reemplazar las espreas de gas propano con las espreas de gas natural originales. Con cuidado, hacer que coincidan con sus quemadores correspondientes, de acuerdo con las marcas y etiquetas colocadas anteriormente.

## Para el agente de servicio

Es importante que conozca lo siguiente **ANTES** de empezar la conversión del electrodoméstico.

- Confirmar que el sistema de suministro de gas está disponible y listo para usar. Esto es especialmente importante para construcciones nuevas.
- Comprobar el tipo de gas suministrado en la ubicación. Asegurarse de que el electrodoméstico está conectado al tipo de gas para el que está certificado.
- Prever el suficiente tiempo y los recursos necesarios para realizar el proceso de conversión completo de forma correcta antes de abandonar el lugar de trabajo. Se debe realizar cada paso descrito en estas instrucciones para convertir con seguridad el electrodoméstico para que funcione correctamente a altas altitudes. **UNA CONVERSIÓN INADECUADA O INCOMPLETA DEL ELECTRODOMÉSTICO PUEDE IMPLICAR RIESGOS DE SEGURIDAD.**

## Advertencia en virtud de la Proposición 65:

Este producto puede contener un químico que el Estado de California reconoce como potencialmente cancerígeno o causante de daños reproductivos. Por tanto, su producto debe llevar en su embalaje la siguiente etiqueta de conformidad con la legislación de California:

<b>ADVERTENCIA EN VIRTUD DE LA PROPOSICIÓN 65 DEL ESTADO DE CALIFORNIA:</b>
---

 <b>ADVERTENCIA</b>
--

Cáncer y daño reproductivo - <a href="http://www.P65Warnings.ca.gov">www.P65Warnings.ca.gov</a>
---

# Instrucciones para la conversión a gas propano (LP)

## Antes de empezar

### ⚠ PRECAUCIÓN

Antes de proceder con la conversión, interrumpir el suministro de gas al electrodoméstico antes de desconectar la alimentación eléctrica.

Para desconectar el electrodoméstico de la alimentación eléctrica, desenchufar el cable eléctrico de tres clavijas de su receptáculo o desconectar la alimentación eléctrica desde la caja de disyuntores.

### Herramientas necesarias

- Destornillador Torx T-20
- Llave poligonal de 7/16"
- Llave poligonal de 13/16"
- Boquilla de 7 mm o 9/32"
- Llave de tuerca de 1/4"
- Punta hexagonal de 16 mm o punta hexagonal de 5/8"
- Destornillador Torx T-30
- Llave estriada de 1/2"
- Punta hexagonal de 9 mm
- Llave fija de boca abierta 9/32"
- Boquilla de 7/8" o llave fija de boca abierta 7/8"
- Llave de tuercas ajustable
- Agua con jabón o una solución para detectar las fugas

### Kits de conversión de espreas de quemadores de propano (LP) Pro Grand

PALPKITDGW	Para todas las estufas de dos combustibles Pro Grand
PALPKITGGW	Para todas las estufas de gas Pro Grand

### Kits de conversión de espreas de quemadores de propano (LP) para estufas Pro Harmony y partes superiores de estufas Pro Rangetop

PALPKITHW	Para estufas de dos combustibles Pro Harmony y partes superiores de estufas Pro Rangetop con 4 y 6 STAR quemadores
PALKITHW5	Para estufas de dos combustibles Pro Harmony y partes superiores de estufas Pro Rangetop con 5 STAR quemadores
PALPKITHA5	Para estufas de gas Pro Harmony con 5 STAR quemadores
PALPKITGA	Para estufas de gas Pro Harmony 30" y 36" con 4 y 6 STAR quemadores

PALPKITGA6	Para estufas de gas Pro Harmony 48" con 4 y 6 STAR quemadores
------------	---

### Piezas incluidas

Estufa de gas Pro Harmony con 5 STAR® quemadores (PRG305WH)	Cant.
Etiqueta de conversión	1
Cinta de espuma, pieza de 1"	1
Desarmador	1
Esprea, 0.73 mm (73), STAR quemadores	2
Esprea, 0.90 mm (90), STAR quemadores	1
Esprea, 1.05 mm (105), STAR quemadores	1
Esprea, 1.15 mm (115), STAR quemadores	1
Esprea, 1.34 mm (134), quemador para asar del horno principal	1
Esprea, 1.25 mm (125), quemador para asar del horno auxiliar	1

Estufa de combustible dual Pro Harmony y Pro Rangetop para unidades con 5 STAR® quemadores (PRD305WH(U/C) y PCG305W)	Cant.
Etiqueta de conversión	1
Cinta de espuma, pieza de 1"	1
Desarmador	1
Esprea, 0.73 mm (73), STAR quemadores	2
Esprea, 0.90 mm (90), STAR quemadores	1
Esprea, 1.05 mm (105), STAR quemadores	1
Esprea, 1.15 mm (115), STAR quemadores	1

Estufa de combustible dual Pro Harmony y Pro Rangetop para unidades con 4 o 6 STAR® quemadores	Cant.
Etiqueta de conversión	1
Cinta de espuma, pieza de 1"	1
Desarmador	1
Esprea, 1.05 mm (105), STAR quemadores	3
Esprea, 1.15 mm (115), STAR quemadores	3

Estufa de gas Pro Harmony 48" para unidades con 4 o 6 STAR® quemadores	Cant.
Etiqueta de conversión	1
Cinta de espuma, pieza de 1"	1
Desarmador	1
Esprea, 0.82 mm (82), STAR quemadores	3

<b>Estufa de gas Pro Harmony 48" para unidades con 4 o 6 STAR® quemadores</b>	<b>Cant.</b>
Esprea, 1.10 mm (110), STAR quemadores	3
Esprea, 1.34 mm (134), quemador para hornear del horno principal	1
Esprea, 1.13 mm (113), quemador para hornear del horno auxiliar	1
Esprea, 1.25 mm (125), quemador para asar del horno principal	1
Esprea, 0.82 mm (82), quemador para asar del horno auxiliar	1

<b>Estufa de gas Pro Harmony 30" y 36" para unidades con 4 o 6 STAR® quemadores</b>	<b>Cant.</b>
Etiqueta de conversión	1
Cinta de espuma, pieza de 1"	1
Desarmador	1
Esprea, 0.82 mm (82), STAR quemadores	3
Esprea, 1.10 mm (110), STAR quemadores	3
Esprea, 1.34 mm (134), quemador para hornear del horno principal	1
Esprea, 1.30 mm (130), quemador para asar del horno principal	1

<b>Estufa de gas Pro Harmony para unidades con 8 STAR® quemadores</b>	<b>Cant.</b>
Etiqueta de conversión	1
Cinta de espuma, pieza de 1"	1
Desarmador	1
Esprea, 0.82 mm (82), STAR quemadores	4
Esprea, 1.10 mm (110), STAR quemadores	4
Esprea, 1.34 mm (134), quemador para hornear del horno principal	1
Esprea, 1.15 mm (115), quemador para hornear del horno auxiliar	1
Esprea, 1.25 mm (125), quemador para asar del horno principal	1
Esprea, 0.82 mm (82), quemador para asar del horno auxiliar	1

<b>Estufa de combustible dual Pro Grand para unidades con 4 o 6 STAR® quemadores</b>	<b>Cant.</b>
Etiqueta de conversión	1
Cinta de espuma, pieza de 1"	1
Desarmador	1
Esprea, 1.05 mm (105), STAR quemadores	3
Esprea, 1.15 mm (115), STAR quemadores	2
Esprea, 1.26 mm (126), STAR quemadores	1

<b>Estufa de gas Pro Grand para unidades con 4 o 6 STAR® quemadores</b>	<b>Cant.</b>
Etiqueta de conversión	1
Cinta de espuma, pieza de 1"	1
Desarmador	1

<b>Estufa de gas Pro Grand para unidades con 4 o 6 STAR® quemadores</b>	<b>Cant.</b>
Esprea, 1.05 mm (105), STAR quemadores	3
Esprea, 1.15 mm (115), STAR quemadores	2
Esprea, 1.26 mm (126), STAR quemadores	1
Esprea, 1.46 mm (146), quemador para hornear del horno principal	1
Esprea, 1.13 mm (113), quemador para hornear del horno auxiliar	1
Esprea, 1.25 mm (125), quemador para asar del horno principal	1
Esprea, 0.813 mm (813), quemador para asar del horno auxiliar	1

\*Esta esprea tiene el número "67" estampado, lo que significa que se encuentra en la categoría #67 DMS (Drill Metal Standard [Broca estándar para metal], o medida de cable, o tamaño de broca), y sus dimensiones son de 0.0320" o 0.813" de diámetro.

## Lista de comprobación

Para que el electrodoméstico funcione bien, cada uno de los pasos indicados a continuación se debe llevar a cabo correctamente. Tachar cada paso después de finalizarlo.

### Modelos de parrilla de gas

Paso 1	Desensamblar la parrilla de gas (página 51 ).
Paso 2	Convertir el regulador a gas LP (página 51 ).
Paso 3	Reemplazar las espreas del quemador de acuerdo (página 52 ).
Paso 4	Comprobar si la parrilla de gas presenta fugas de gas (página 61 ).
Paso 5	Volver a ensamblar la parrilla de gas y comprobar la llama y el rendimiento del quemador (página 63 ).
Paso 6	Ajustar los tornillos de la válvula para los quemadores STAR® (página 64 ).
Paso 7	Colocar la etiqueta de conversión (página 65 ).

### Modelos de gas Pro Harmony

Paso 1	Desensamblar la parrilla de gas (página 51 ).
Paso 2	Convertir el regulador a gas LP (página 51 ).
Paso 3	Reemplazar las espreas del quemador de acuerdo (página 52 ).
Paso 4	Retirar el conjunto de la consola trasera ( 57 ).
Paso 5	Reemplazar la esprea del quemador para asar del horno principal (página 57 ).
Paso 6	Modelos de 48": reemplazar la esprea del quemador para asar del horno auxiliar (página 57 ).
Paso 7	Retirar la puerta del horno (página 58 ).
Paso 8	Retirar el rodapié y los paneles frontales (página 59 ).

Paso 9	Reemplazar la esprea del quemador para hornear del horno principal (página 60).
Paso 10	Modelos de 48": reemplazar la esprea del quemador para hornear del horno auxiliar (página 61).
Paso 11	Volver a montar la puerta o puertas del horno (página 59).
Paso 12	Comprobar si la parrilla de gas y el horno presentan fugas de gas (página 61).
Paso 13	Volver a ensamblar la parrilla de gas y comprobar la llama y el rendimiento del quemador (página 63).
Paso 14	Ajustar los tornillos de la válvula para los quemadores STAR (página 64).
Paso 15	Verificar el rendimiento de la llama de los quemadores para asar y para hornear (página 64).
Paso 16	Volver a ensamblar el rodapié y los paneles frontales (página 59).
Paso 17	Colocar la etiqueta de conversión (página 65).

### Modelos de dos combustibles Pro Harmony

Paso 1	Desensamblar la parrilla de gas (página 51).
Paso 2	Convertir el regulador a gas LP (página 51).
Paso 3	Reemplazar las espreas del quemador de acuerdo (página 52).
Paso 4	Comprobar si la parrilla de gas presenta fugas de gas (página 61).
Paso 5	Volver a ensamblar la parrilla de gas y comprobar la llama y el rendimiento del quemador (página 63).
Paso 6	Ajustar los tornillos de la válvula para los quemadores STAR® (página 64).
Paso 7	Colocar la etiqueta de conversión (página 65).

### Modelos de gas Pro Grand

Paso 1	Desensamblar la parrilla de gas (página 51).
Paso 2	Convertir el regulador a gas LP (página 51).
Paso 3	Reemplazar las espreas del quemador de acuerdo (página 52).
Paso 4	Retirar el conjunto de la consola trasera (página 57).
Paso 5	Reemplazar la esprea del quemador para asar del horno principal (página 57).
Paso 6	Modelos de 48": reemplazar la esprea del quemador para asar del horno auxiliar (página 57).
Paso 7	Retirar la puerta del horno (página 58).
Paso 8	Retirar el rodapié y los paneles frontales (página 59).
Paso 9	Reemplazar la esprea del quemador para hornear del horno principal (página 60).

Paso 10	Modelos de 48": reemplazar la esprea del quemador para hornear del horno auxiliar (página 61).
Paso 11	Volver a montar la puerta o puertas del horno (página 59).
Paso 12	Comprobar si la parrilla de gas y el horno presentan fugas de gas (página 61).
Paso 13	Volver a ensamblar la parrilla de gas y comprobar la llama y el rendimiento del quemador (página 63).
Paso 14	Ajustar los tornillos de la válvula para los quemadores STAR (página 64).
Paso 15	Verificar el rendimiento de la llama de los quemadores para asar y para hornear ( 64 ).
Paso 16	Volver a ensamblar el rodapié y los paneles frontales (página 59).
Paso 17	Colocar la etiqueta de conversión (página 65).

### Modelos de dos combustibles Pro Grand

Paso 1	Desensamblar la parrilla de gas (página 51).
Paso 2	Convertir el regulador a gas LP (página 51).
Paso 3	Reemplazar las espreas del quemador de acuerdo (página 52).
Paso 4	Comprobar si la parrilla de gas presenta fugas de gas (página 61).
Paso 5	Volver a ensamblar la parrilla de gas y comprobar la llama y el rendimiento del quemador (página 63).
Paso 6	Ajustar los tornillos de la válvula para los quemadores STAR® (página 64).
Paso 7	Colocar la etiqueta de conversión (página 65).

# Procedimiento de instalación

**NOTA:** Todos los gráficos son representativos.

## Desensamblar la parrilla de gas

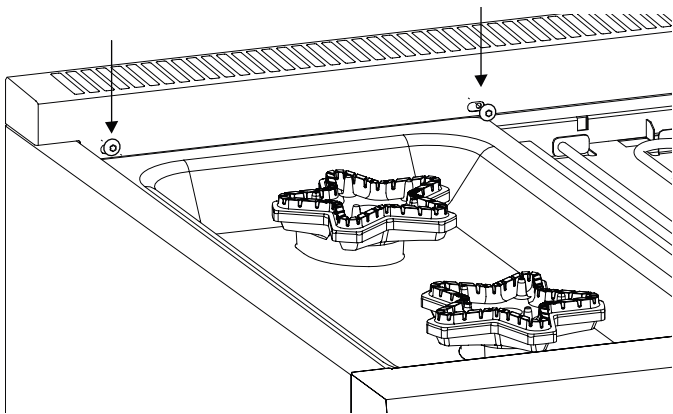
### ⚠ PRECAUCIÓN

Antes de proceder con la conversión, interrumpir el suministro de gas al electrodoméstico antes de desconectar la alimentación eléctrica.

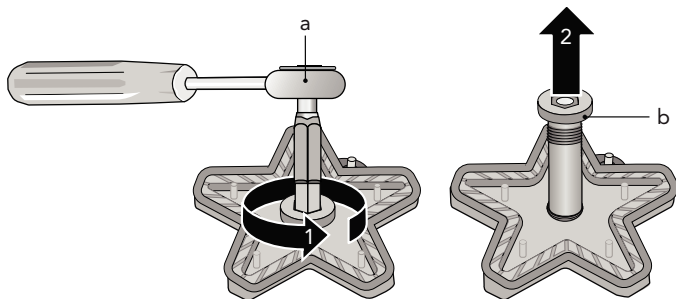
Para desconectar el electrodoméstico de la alimentación eléctrica, desenchufar el cable eléctrico de tres clavijas de su receptáculo o desconectar la alimentación eléctrica desde la caja de disyuntores.

### Para desensamblar la parrilla de gas

1. Retirar las rejillas de la parrilla de gas y las tapas de los quemadores.
2. Para quitar más fácilmente el colector de grasa, retirar los tornillos T-20 de la parte delantera del adorno de isla o de la consola trasera.



3. Usar un adaptador de cabeza hexagonal de 16 mm o llave Allen para los quemadores etiquetados con «D» o «F». Usar un adaptador de cabeza hexagonal de 9 mm o llave Allen para los quemadores etiquetados con «B» para retirar el venturi de cada base del quemador.

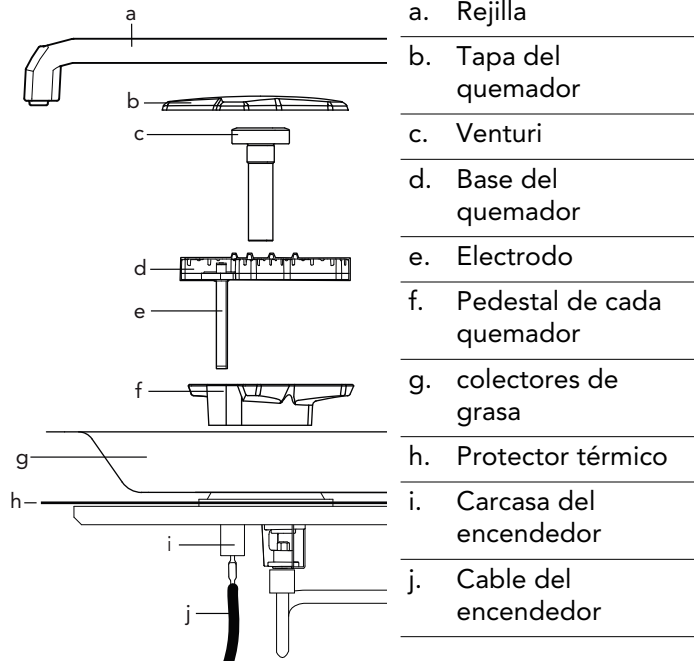


a Cabeza hexagonal

b Venturi

**CONSEJO:** Si un adaptador de cabeza hexagonal de 16 mm no está disponible, se puede seleccionar una broca hexagonal de 5/8". Como alternativa se puede usar un perno con cabeza de 5/8", bien sea con «tuerca doble» o apretado, en el portabrocas de un taladro.

4. Desconectar el encendedor. Jalar con cuidado la base del quemador.

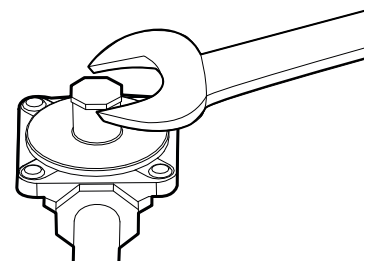


5. Retirar el tornillo y asegurar el pedestal del quemador con un destornillador Torx T-30. Retirar con cuidado el pedestal de cada quemador.
6. Retirar los colectores de grasa girándolos hacia arriba y empujándolos hacia atrás.
7. Retirar la pantalla térmica en algunos modelos. Algunos modelos están equipados con una pantalla de anchura doble que se extiende bajo el colector de grasa adyacente.

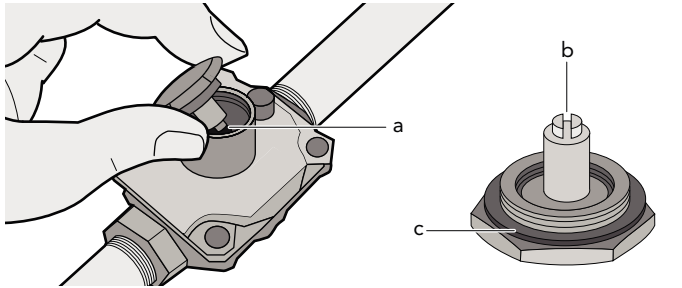
## Convertir el regulador a LP

El regulador de gas se encuentra en la parrilla de gas, en el lateral izquierdo del electrodoméstico. La ubicación exacta varía según el modelo.

1. Retirar el tapón de conversión con una boquilla de 7/8" o una llave de tuercas, o llave ajustable.

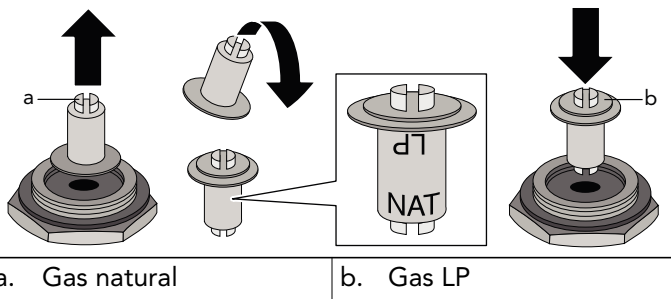


2. Agarrar firmemente el vástago de botón de plástico y jalarlo con fuerza para separarlo del tapón de metal. El vástago está perfectamente encajado en una ranura del tapón y puede necesitarse un fuerte jalón para extraerlo. (Consejo: Puede ser útil «balancear» suavemente el vástago de plástico mientras se jala para retirarlo del tapón de metal).



- |    |                              |
|----|------------------------------|
| a. | Resorte                      |
| b. | Vástago de botón de plástico |
| c. | Junta                        |

3. Girar el vástago 180° de forma que las letras «LP» queden al revés cuando el tapón se apoye sobre su cabeza. Volver a introducir el vástago en su sitio insertándolo en la ranura del tapón de metal. El vástago debe encajarse en su posición.



a. Gas natural

b. Gas LP

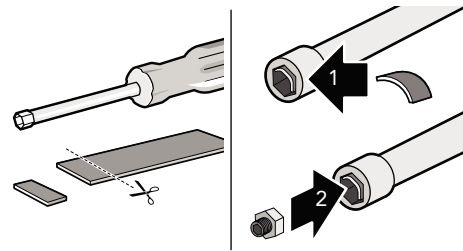
4. Volver a colocar el tapón de conversión, configurado para gas LP, en la parte superior del regulador.

## Cambiar los quemadores STAR «D» y «F» (quemadores de tamaño mediano y grande) únicamente

Preparar la boquilla de 7 mm, 9/32", o una llave de tuerca de 1/4" para la conversión de espreas de quemadores STAR

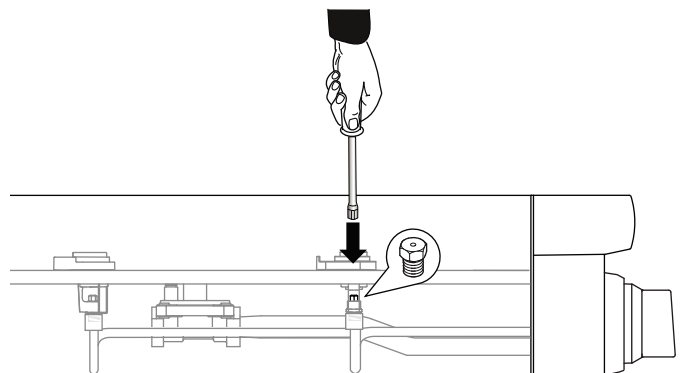
**NOTA:** Este procedimiento facilita el cambio de las espreas de los quemadores STAR «D» y «F» únicamente. Para los quemadores «B» de menor tamaño de los modelos 305, este procedimiento no funcionará debido a que la boquilla es demasiado grande para insertarla a través de los sostenes de las espreas. Para cambiar los quemadores STAR de tamaño «B», consultar la 53.

1. Recortar un pequeño trozo de la cinta de espuma suministrada en este kit (aprox. 1/4 – 1/2" (6 – 12 mm)).
2. Colocar cinta de espuma sobre el borde de una boquilla de 7 mm o a 9/32", o una llave de tuerca de 1/4", usada para sustituir las espreas de los quemadores, como se muestra a continuación
  - La cinta de espuma ayuda a mantener la esprea en el extremo de la llave de tuerca, de forma que no caiga en el interior del electrodoméstico durante la retirada o instalación de la esprea.



## Volver a colocar las espreas de los quemadores STAR® «D» y «F»

1. Acceder a las boquillas de los inyectores con la llave de tuerca envuelta con la cinta de espuma y retirar la esprea de gas de las boquillas de los inyectores de los quemadores STAR.



2. Etiquetar cada una de las espreas retiradas, y anotar el quemador del que fueron retiradas, en caso de que se regrese el electrodoméstico al uso con gas natural en el futuro.



## Diseño del quemador

Para su conveniencia, anotar los tamaños de las espreas y sus ubicaciones en la siguiente tabla..

Trasero izquierdo	Posterior izquierdo central	Posterior central	Trasero derecho	Posterior derecho central
Frontal izquierdo	Frontal izquierdo central	Frontal central	Frontal derecho	Frontal derecho central

- Localizar las espreas correctas de los quemadores STAR incluidos en el kit. El diámetro de las espreas está estampado en el lateral de los mismos.



- Sustituir las espreas como se indica en las tablas que comienzan en la 53 .

**NOTA:** Todas las espreas de reemplazo del kit de conversión tienen roscas rectas (no cónicas) y no necesitan un compuesto para sellar las roscas.

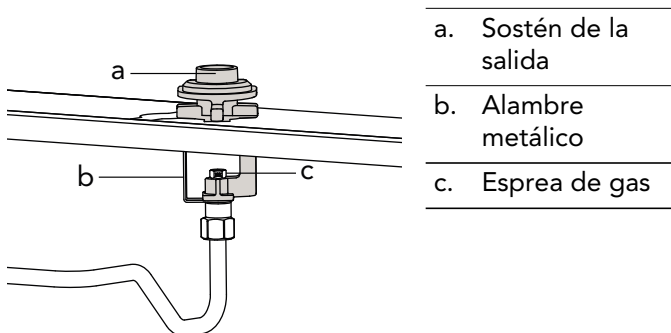
## Cambiar los quemadores STAR «B» (solo modelos 305) y/o quemadores STAR «D» y «F»

Este procedimiento se puede aplicar cuando:

- Se convierten los quemadores de tamaño «B».
- Lo prefiera el instalador para cambiar las espreas de quemadores de cualquier tamaño («B», «D» o «F»).
- No se encuentran disponibles una boquilla de 7 mm o 9/32", o un destornillador de 1/4", para cambiar las espreas en los quemadores «D» y «F».

### Reemplazar las espreas de los quemadores STAR «B» (o una esprea de quemador de cualquier tamaño)

- Desde el costado del sostén de la salida, introducir una llave fija de boca abierta de 9/32" en el espacio entre el alambre metálico y el sostén de la salida. Retirar la esprea de gas del sostén de la salida del quemador STAR.



- |    |                     |
|----|---------------------|
| a. | Sostén de la salida |
| b. | Alambre metálico    |
| c. | Esprea de gas       |

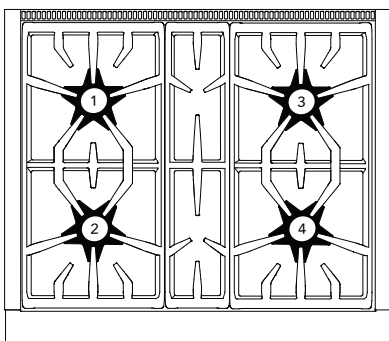
- Etiquetar cada una de las espreas retiradas, y anotar el quemador del que fueron retiradas, en caso de que se regrese el electrodoméstico al uso con gas natural en el futuro.
- Localizar las espreas correctas de los quemadores STAR incluidos en el kit. El diámetro está estampado en el lateral de las espreas.
- Volver a colocar las espreas de la manera que se indica en las tablas que comienzan en la 53 . Asegurarse de que la esprea se encuentre completamente asentada y ajustada en el sostén de la salida, para evitar posibles fugas.

**NOTA:** Todas las espreas de reemplazo del kit de conversión tienen roscas rectas (no cónicas) y no necesitan un compuesto para sellar las roscas.

## Kits de conversión de espreas de quemadores de propano (LP) para estufas Pro Harmony y partes superiores de estufas Pro Rangetop

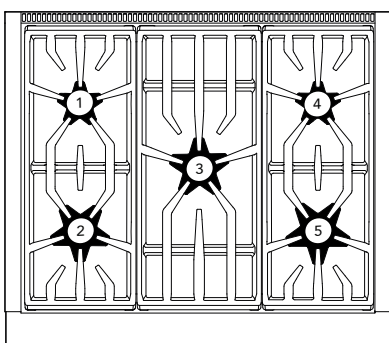
PALPKITHW	Para estufas de dos combustibles Pro Harmony y partes superiores de estufas Pro Rangetop con 4 y 6 STAR® quemadores
PALKITHW5	Para estufas de dos combustibles Pro Harmony y partes superiores de estufas Pro Rangetop con 5 STAR® quemadores
PALPKITHA5	Para estufas de gas Pro Harmony con 5 STAR® quemadores
PALPKITGA	Para estufas de gas Pro Harmony 30" y 36" con 4 y 6 STAR® quemadores
PALPKITGA6	Para estufas de gas Pro Harmony 48" con 4 y 6 STAR® quemadores

Modelo 304



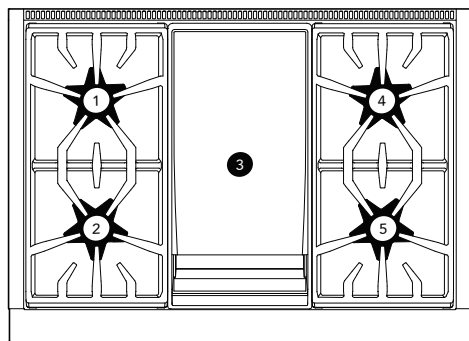
(1) 105	(3) 105
(2) 115	(4) 115

Modelo 305



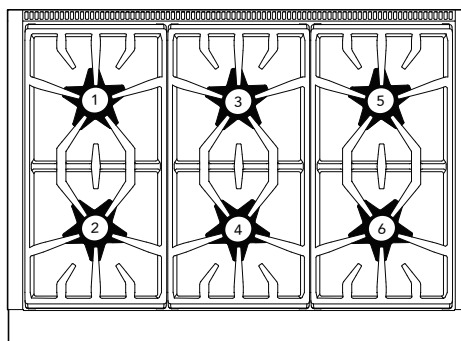
(1) 73	(3) 90	(4) 73
(2) 115		(5) 105

Modelo 364 con plancha



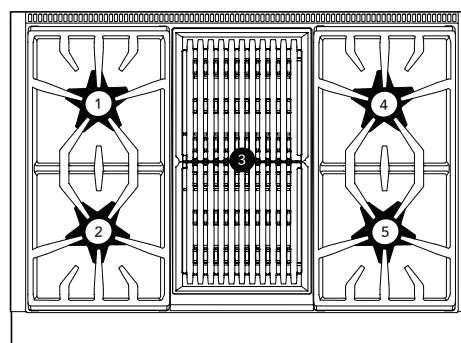
(1) 105	(3) —	(4) 105
(2) 115		(5) 115

Modelo 366



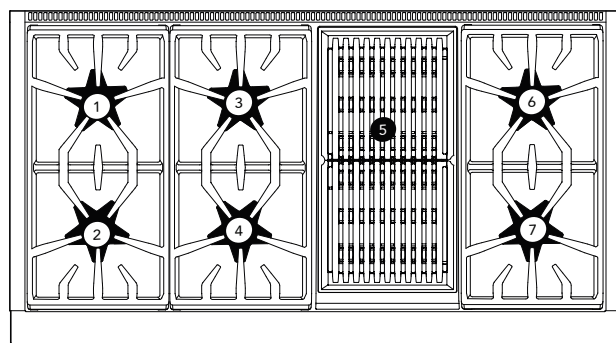
(1) 105	(3) 105	(5) 105
(2) 115	(4) 115	(6) 115

Modelo 364 con grill



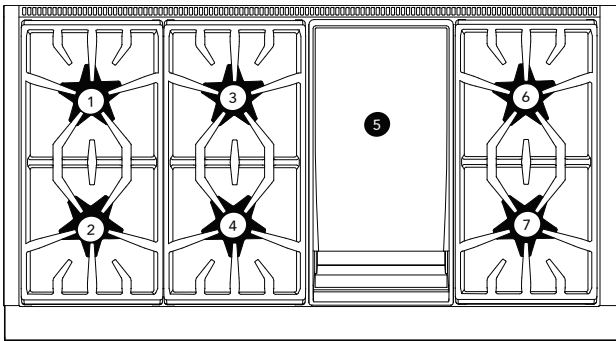
(1) 105	(3) —	(4) 105
(2) 115		(5) 115

Modelo 486 con grill



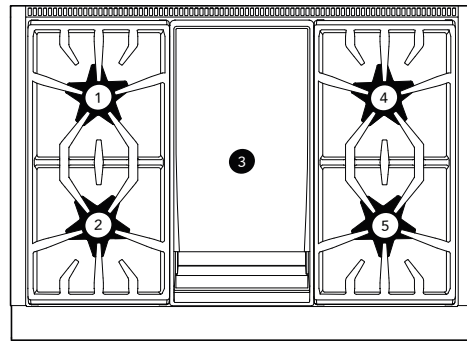
(1) 105	(3) 105	(5) —	(6) 105
(2) 115	(4) 115		(7) 115

Modelo 486 con plancha



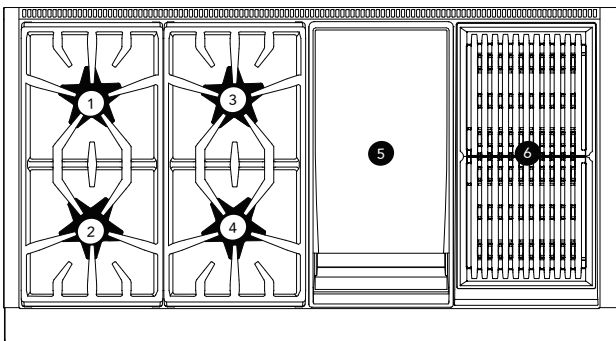
(1) 105	(3) 105	(5) —	(6) 105
(2) 115	(4) 115		(7) 115

Modelo 364 con plancha



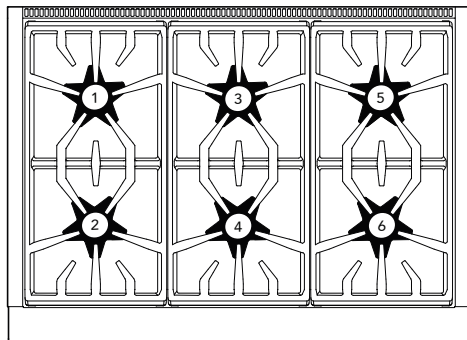
(1) 105	(3) —	(4) 105
(2) 126		(5) 115

Modelo 486 con plancha y grill



(1) 105	(3) 105	(5) —
(2) 115	(4) 115	(6) —

Modelo 366

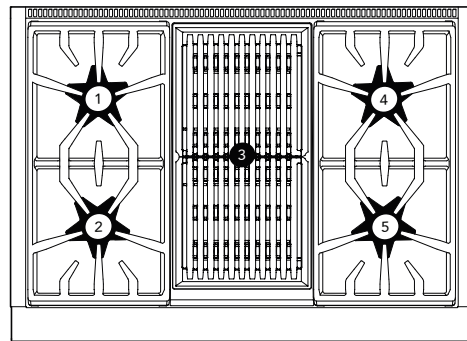


(1) 105	(3) 105	(5) 105
(2) 126	(4) 115	(6) 115

## Kits de conversión de espreas de STAR® quemadores de propano (LP) Pro Grand

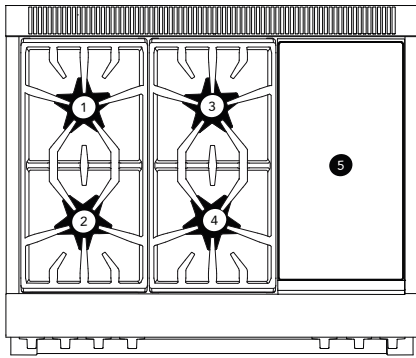
PALPKITDGW	Para todas las estufas de dos combustibles Pro Grand
PALPKITGGW	Para todas las estufas de gas Pro Grand

Modelo 364 con grill



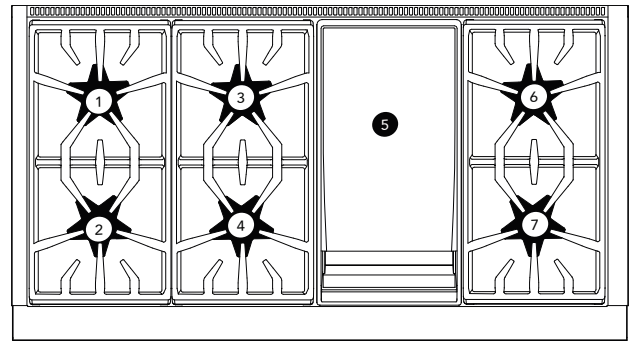
(1) 105	(3) —	(4) 105
(2) 126		(5) 115

Modelo 364 con inducción



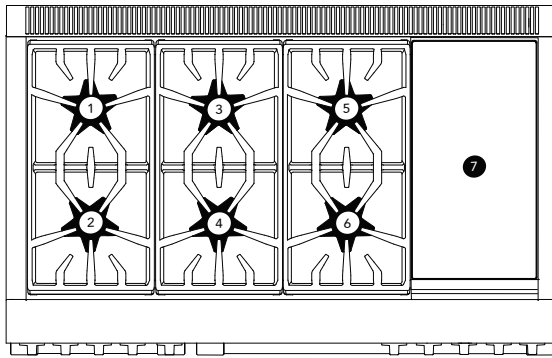
(1) 105	(3) 105	(5) —
(2) 126	(4) 115	

Modelo 486 con plancha



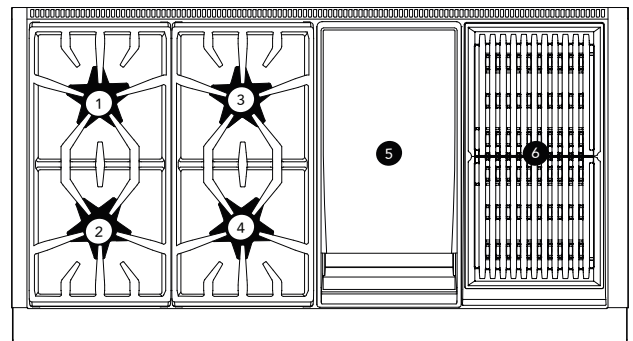
(1) 105	(3) 105	(5) —	(6) 105
(2) 126	(4) 115		(7) 115

Modelo 486 con inducción



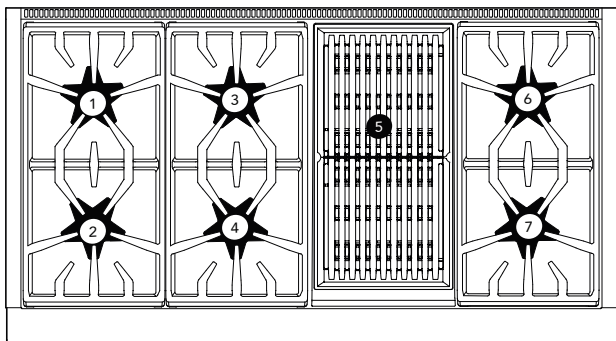
(1) 105	(3) 105	(5) 105	(7) —
(2) 126	(4) 115	(6) 115	

Modelo 486 con plancha y grill



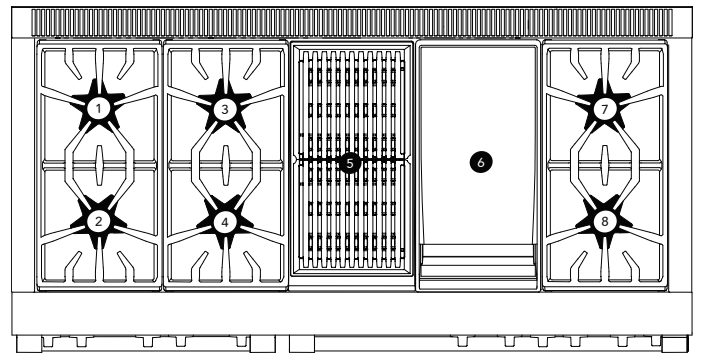
(1) 105	(3) 105	(5) —
(2) 126	(4) 115	(6) —

Modelo 486 con grill

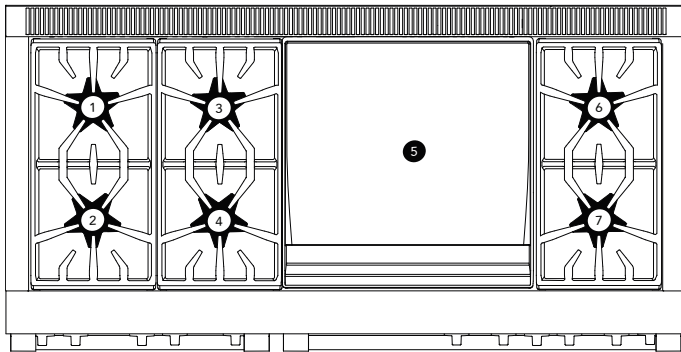


(1) 105	(3) 105	(5) —	(6) 105
(2) 126	(4) 115		(7) 115

Modelo 606 con grill y plancha



(1) 105	(3) 105	(5) —	(7) 105
(2) 126	(4) 115	(6) —	(8) 115



(1) 105	(3) 105	(5) —	(6) 105
(2) 126	(4) 115		(7) 115

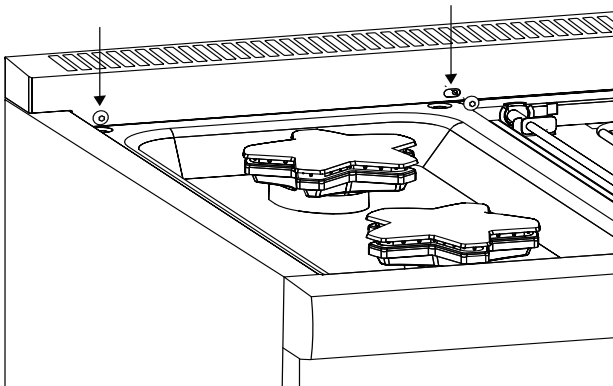
## Reemplazar la esprea para asar, solo en estufas de gas (modelos PRG)

### ⚠ PRECAUCIÓN

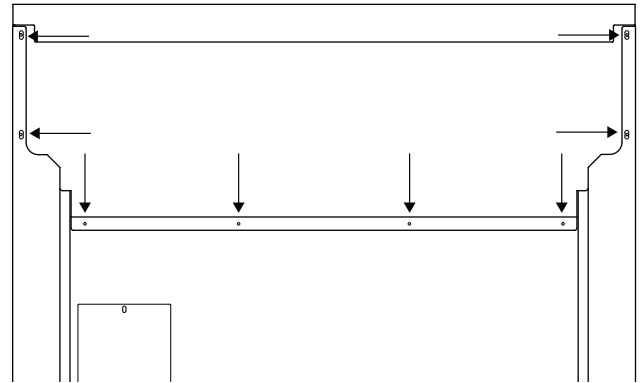
Después de reemplazar la esprea del asador y antes de volver a ensamblar el panel posterior y la consola trasera de la estufa, realizar una prueba para detectar fugas de gas en la esprea y los racores asociados, conforme a la sección «Prueba para detectar fugas de gas» de estas instrucciones.

### Retirar el conjunto de la consola trasera

1. Mover la estufa fuera de su posición de instalación para tener acceso completo al panel trasero del conjunto de la consola trasera y a las espreas de los quemadores para asar.
2. Usar un desarmador Torx T-20 para retirar los tornillos de los paneles trasero del conjunto de la consola trasera.



3. Usar un desarmador Torx T-20 para retirar los tornillos de los paneles trasero del conjunto de la consola trasera.



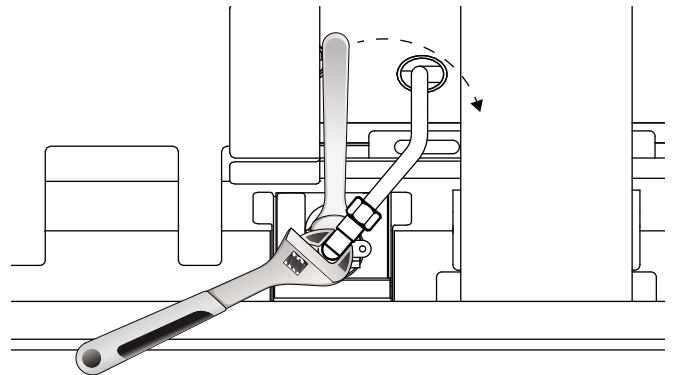
4. Levantar con cuidado el conjunto de la consola trasera de la estufa.

### Reemplazar la esprea del quemador para asar

**NOTA:** Este procedimiento se aplica al quemador para asar del horno principal y, cuando corresponda, al quemador para asar del horno auxiliar.

1. Retirar la esprea para asar usando una llave estriada de 7/16" y, al mismo tiempo, impedir girar al racor en codo usando una llave de tuercas ajustable.

**IMPORTANTE: NO** doblar la placa de fijación de la esprea del quemador para asar. Asegurarse de que la esprea del quemador para asar está alineado en el centro de la entrada del tubo del quemador.



2. Etiquetar cada una de las espreas retiradas, y anotar el quemador del que fueron retiradas, en caso de que se regrese el electrodoméstico al uso con gas natural en el futuro.

Para su conveniencia, anotar los tamaños de las espreas y sus ubicaciones en la siguiente tabla.

Quemador para asar del horno principal	Esprea del quemador para asar del horno auxiliar

3. Localizar las espreas correctas de los quemadores incluidos en el kit. El diámetro de las espreas está estampado en el lateral de los mismos.
4. Reemplazar las espreas como se indica en la tabla. Para evitar fugas en el área, asegurarse de que la esprea se encuentre completamente asentada y ajustada en el sostén de la esprea del quemador y en el codo de esprea de 90°.

#### Pro Grand

Modelos	Quemador para asar del horno principal	Esprea del quemador para asar del horno auxiliar
Todos los modelos	1.25 mm (125)	0.813 mm (813) o "67"

#### Pro Harmony

Modelos	Quemador para asar del horno principal	Esprea del quemador para asar del horno auxiliar
30" & 36"	1.30 (130)	—
48"	1.25 (125)	0.82 mm (82)

**NOTA:** las espreas de reemplazo del quemador para asar tienen roscas rectas (no cónicas) y **NO** necesitan un compuesto para sellar las roscas.

5. Proceder a "Volver a montar la puerta del horno antes de realizar la prueba para detectar fugas en los quemadores para asar y para hornear" en la página 59 antes de volver a conectar el conjunto de la consola trasera. Una vez que todas las espreas de los quemadores para asar y para hornear hayan sido reemplazadas y convertidas a gas LP, volver a montar las puertas del horno antes de realizar una prueba para detectar fugas de gas de todas las espreas para hornear y para asar reemplazadas, y de sus racores asociados.

## Reemplazar la esprea del quemador para hornear, solo en estufas de gas (modelos PRG)

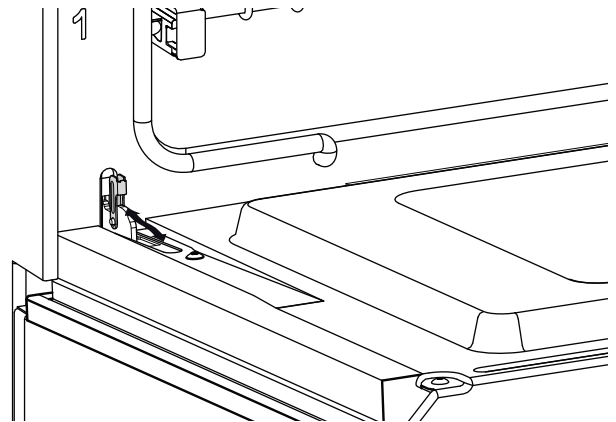
### ⚠ PRECAUCIÓN

- **RETIRAR LA PUERTA CON CUIDADO. LA PUERTA ES MUY PESADA.**
- Asegurarse de que el horno está frío y que se ha desconectado el electrodoméstico de la corriente antes de retirar la puerta. De no hacerlo se puede producir una descarga eléctrica o quemaduras.
- La puerta del horno es pesada y frágil. Usar las dos manos para retirar o sustituir la puerta.
- Si no se agarra la puerta del horno con firmeza y adecuadamente podrían producirse lesiones personales o daños en el producto.
- Nunca soltar las palancas ni intentar cerrar las bisagras cuando se haya retirado la puerta. Sin el peso de la puerta, los potentes resortes cerrarán las bisagras con mucha fuerza.

Para acceder a las espreas del quemador para hornear, deberán retirarse la puerta del horno, el rodapié y el panel frontal inferior, si corresponde.

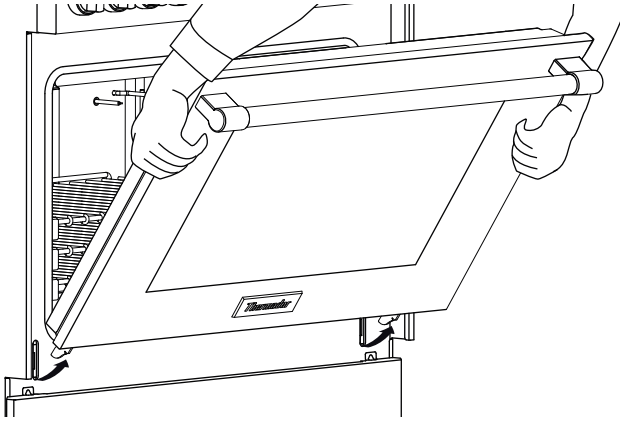
### Retirar la puerta del horno

1. Abrir completamente la puerta. Empujar los soportes de las bisagras hacia abajo en ambos lados de la puerta. Es posible que se necesite un desarmador para hacer palanca hacia atrás en el soporte.



2. Cerrar la puerta despacio hasta apoyarla contra los soportes de las bisagras. Los soportes de las bisagras abiertos mantienen la puerta abierta a un ángulo de unos 30° respecto a su posición cerrada.

3. Agarrar la puerta con firmeza por los extremos. Levantar la puerta y sacarla hacia afuera. Los resortes ofrecerán un poco de resistencia.

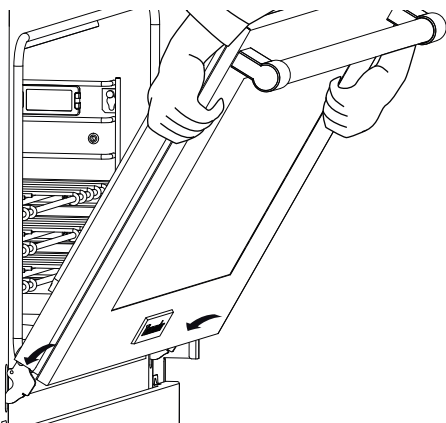


4. Guardar la puerta en un lugar seguro y estable.

**Volver a montar la puerta del horno antes de realizar la prueba para detectar fugas en los quemadores para asar y para hornear**

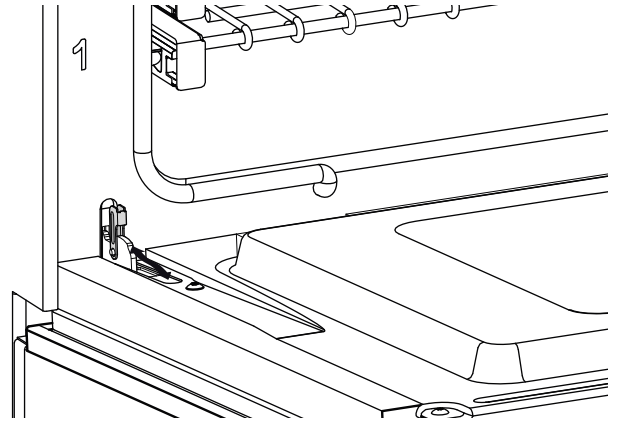
Después de reemplazar las espreas del quemador para hornear y de finalizar la prueba para detectar fugas en el electrodoméstico de manera satisfactoria, se deben volver a montar la puerta del horno, el rodapié y el panel frontal inferior.

1. Sostener la puerta firmemente con ambas manos.
2. Sostener la puerta en un ángulo de unos 30° respecto a su posición cerrada. Insertar las bisagras centradas en las ranuras. Las bisagras se engancharán con seguridad en las ranuras cuando estén correctamente instaladas. **NO** forzar, doblar o girar la puerta.



3. Abrir completamente la puerta para exponer las bisagras, las palancas y las ranuras.
4. Empujar las bisagras hacia adelante hasta que estén colocadas en la placa de fijación. Es posible que se

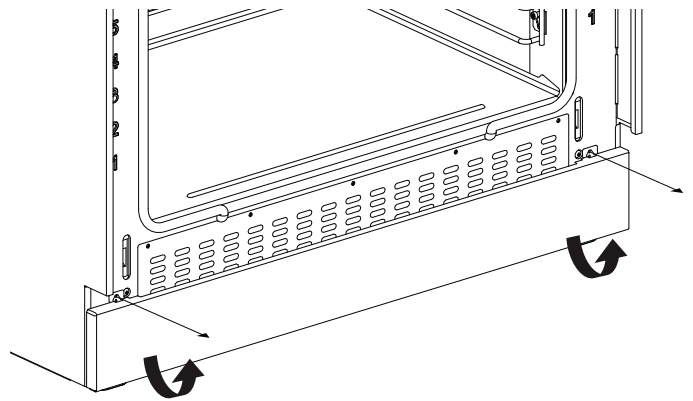
necesite un desarmador para empujar hacia atrás con cuidado el soporte.



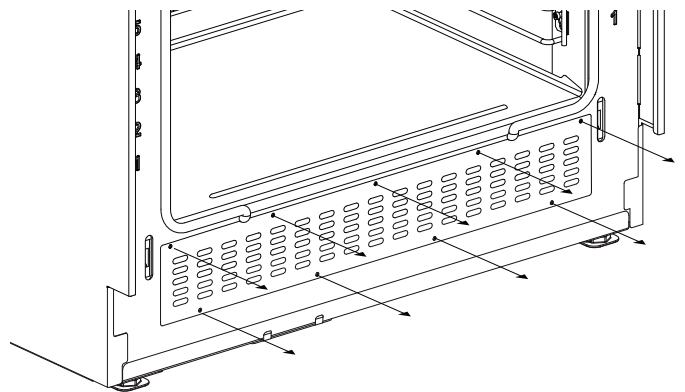
5. Cerrar y abrir la puerta lentamente para asegurarse de que está bien colocada y de forma segura.

**Retirar el rodapié y los paneles frontales**

1. Retirar los tornillos del rodapié usando un desarmador Torx T-20.



2. Retirar los tornillos del panel frontal usando un desarmador torx T-20.



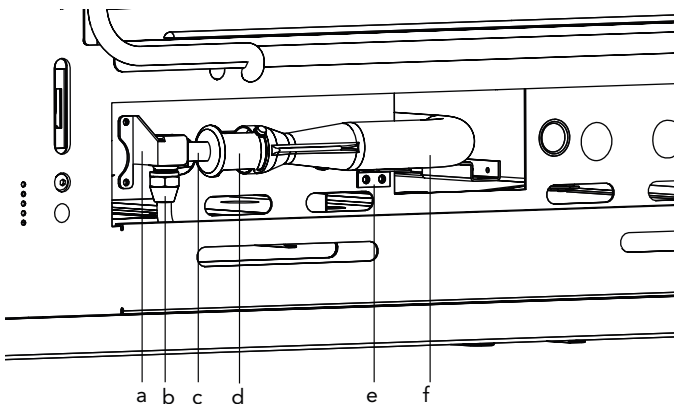


## Reemplazar la esprea del quemador para hornear, solo en estufas de gas (modelos PRG)

### Cambiar la esprea del quemador para hornear del horno principal

#### IMPORTANTE:

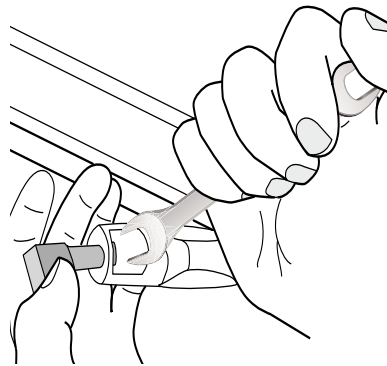
- No doblar el tubo del quemador para hornear.
- No doblar el tubo de gas del quemador para hornear.
- No modificar la abertura del respiradero. El respiradero debe permanecer completamente abierto.
- No retirar el soporte antirrotación mientras se realiza el cambio de esprea. Este soporte es crucial para el alineamiento del tubo del quemador para hornear con la esprea del quemador. Después del reemplazo de la esprea, este soporte facilitará el alineamiento del tubo del quemador.



a. Soporte antirrotación	b. Tubería de alimentación de gas para hornear
c. Racor en codo	d. Respiradero
e. Soporte de montaje del tubo del quemador para hornear	f. Tubo del quemador para hornear

1. Retirar la tubería de alimentación de gas para hornear utilizando una llave poligonal de 13/16".

2. Retirar los dos tornillos del soporte de montaje del tubo del quemador para hornear con un destornillador Torx T-20.



3. Introducir una llave estriada de 1/2" en la abertura del respiradero para contener la esprea para hornear mientras se gira con la mano el codo de la esprea en el sentido contrario a las agujas del reloj.

4. Reemplazar la esprea como se indica en la tabla.

#### Pro Grand

Modelos	Hornear con el horno principal
Todos los modelos	1.46 mm (146)

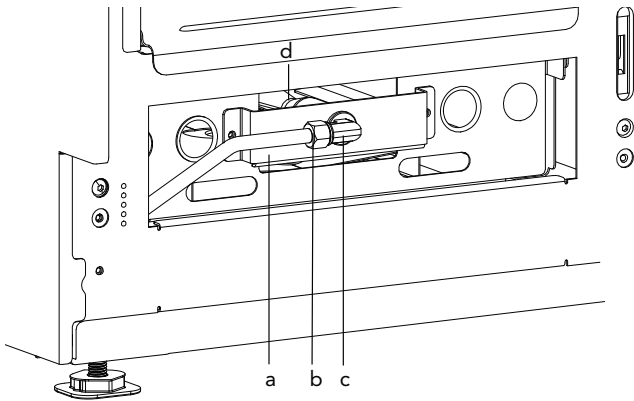
#### Pro Harmony

Modelos	Hornear con el horno principal
Todos los modelos	1.34 mm (134)

5. Asegurarse de que la esprea para hornear se encuentre alineada con el centro de la entrada del tubo del quemador. Volver a montar el tubo del quemador para hornear debajo del horno. De ser necesario, utilizar una linterna para ver la ranura de posición donde se encuentra el tubo del quemador, en la parte posterior de la cavidad del quemador.
6. Deslizar el racor en codo dentro del soporte antirrotación. Volver a colocar los dos tornillos del soporte de montaje del quemador para hornear, y ajustar la tubería de alimentación de gas.
7. Si la estufa de gas es de horno simple, realizar una prueba para detectar fugas en la esprea y sus conexiones, consultar "Prueba para detectar fugas de gas" en la página 61 . Si la estufa de gas tiene un horno auxiliar, proceder según las siguientes instrucciones.



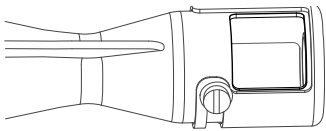
## Cambiar la esprea del quemador para hornear del horno auxiliar



a. Soporte de montaje del tubo del quemador para hornear auxiliar	b. Tubería de alimentación de gas para hornear del horno auxiliar
c. Racor en codo	d. Tubo del quemador para hornear

### IMPORTANTE:

- No doblar el tubo del quemador para hornear.
- No doblar el tubo de gas del quemador para hornear.
- El respiradero debe permanecer completamente abierto. Si el obturador de aire no está completamente abierto, ajústelo a la posición que se muestra.



1. Retirar los dos tornillos del soporte de montaje del quemador para hornear auxiliar con un destornillador Torx T-20. Jalar el soporte y la tubería de alimentación de gas hacia usted con cuidado.

**NOTA:** No es necesario aflojar la tubería de alimentación de gas para hornear del horno auxiliar.

2. Contener el racor en codo con una llave ajustable. Desenroscar la esprea del quemador para hornear con una llave estriada de 1/2".

Para su conveniencia, anotar los tamaños de las espreas y sus ubicaciones en la siguiente tabla.

Horno principal para hornear	Horno auxiliar para hornear

3. Reemplazar la esprea como se indica en la tabla

### Pro Grand.

Modelos	Horno auxiliar para hornear
Todos los modelos	1.13 mm (113)

### Pro Harmony.

Modelos	Horno auxiliar para hornear
30"	—
36"	—
48" 4 & 6-quemadores	1.17 (117)

**NOTA:** Las espreas de reemplazo del quemador para hornear tienen roscas rectas (no cónicas) y NO necesitan un compuesto para sellar las roscas.

4. Antes de volver a colocar el soporte de montaje del quemador para hornear auxiliar, realizar una prueba para detectar fugas en la esprea y sus racores, consultar "Prueba para detectar fugas de gas".

## Prueba para detectar fugas de gas

### ⚠ ADVERTENCIA

**NO** utilizar ningún tipo de llama para detectar las fugas de gas.

### ⚠ PRECAUCIÓN

**NO** rociar los dispositivos eléctricos expuestos con una solución con agua. Si se cae alguna gota de la solución sobre los componentes eléctricos, desconectar la alimentación eléctrica antes de limpiar las piezas.

### ⚠ PRECAUCIÓN

Asegurarse de que los terminales del cable del encendedor del quemador no toquen el metal del bastidor, ni ninguna pieza de metal, para evitar chispas. No tocar los cables del encendedor mientras el quemador se encuentre encendido, para evitar descargas.

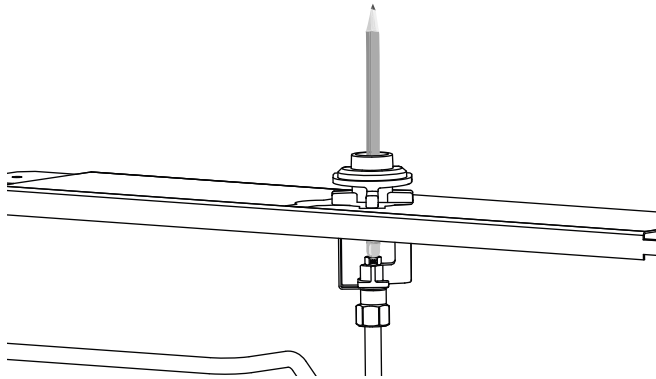
La prueba para detectar fugas debe realizarse después de que se reemplacen las espreas y antes de volver a ensamblar el electrodoméstico por completo. Sin embargo, las puertas del electrodoméstico también deben instalarse y cerrarse para poder realizar la prueba para detectar fugas en los quemadores para asar y para hornear.

La prueba para detectar fugas en el electrodoméstico debe realizarse de acuerdo con las siguientes instrucciones.

### Prueba para detectar fugas de gas en los quemadores STAR de la parte superior de la estufa

1. Asegurarse de que las espreas estén ajustadas y de que todas las válvulas y los controles estén colocados en la posición OFF.

2. Encender los suministros eléctrico y de gas.
3. Rociar una cantidad abundante de una mezcla de agua con jabón (u otra solución diseñada para realizar una prueba para detectar fugas de gas) sobre la unión roscada de la base de la esprea, del racor en codo y de la tuerca de compresión del tubo de gas. (Una solución de 25 % de detergente líquido lavatrastes y agua es efectiva para esto). Evitar rociar los componentes eléctricos.
4. Girar la perilla del quemador STAR correspondiente a la posición HI, mientras se bloquea el orificio de la esprea del quemador STAR con una goma de borrar suave, con el dedo o con algo similar.



5. Monitorear la base de la unión de la esprea, del racor en codo y de la tuerca de compresión para ver si se forman burbujas en las áreas que rodean las conexiones.
  - Si se forman burbujas, existen fugas de gas.
6. Si se presentan fugas en el electrodoméstico, reparar todas las fugas de gas inmediatamente. No apretar excesivamente las uniones, las espreas o las tuercas, ni doblar los tubos de gas.
7. Repetir el procedimiento con todos los quemadores STAR.

#### **Prueba para detectar fugas en la(s) esprea(s) del (de los) quemadores para asar**

1. Rociar una cantidad abundante de una mezcla de agua con jabón (u otra solución diseñada para realizar una prueba para detectar fugas de gas) sobre la unión roscada de la base de la esprea, del racor en codo y de la tuerca de compresión del tubo de gas. (Una solución de 25 % de detergente líquido lavatrastes y agua es efectiva para esto). Evitar rociar los componentes eléctricos.
2. Girar la perilla de modo y de temperatura del horno hasta BROIL (ASAR), mientras se bloquea el orificio de la esprea para asar con una goma de borrar suave, con el dedo, o con algo similar.
  - Habrá una demora de, aproximadamente, 45 a 90 segundos, mientras el serpentín de la válvula de seguridad se calienta para liberar el accionador de la válvula. Normalmente se escucha un sonido

similar a una pequeña explosión cuando se abre la válvula de seguridad del asador.

3. Monitorear la base de la unión de la esprea, del racor en codo y de la tuerca de compresión para ver si se forman burbujas en las áreas que rodean las conexiones.
  - Si se forman burbujas, existen fugas de gas.
4. Si se presentan fugas en el electrodoméstico, reparar todas las fugas de gas inmediatamente. No apretar excesivamente las uniones, las espreas o las tuercas, ni doblar los tubos de gas.
5. Si aplica, repetir el procedimiento para la esprea para asar auxiliar.
6. Prueba para detectar fugas en la(s) esprea(s) para hornear

#### **Prueba para detectar fugas en la(s) esprea(s) del (de los) quemador(es) para hornear del horno**

1. Rociar una cantidad abundante de una mezcla de agua con jabón (u otra solución diseñada para realizar una prueba para detectar fugas de gas) sobre la unión roscada de la base de la esprea, del racor en codo y de la tuerca de compresión del tubo de gas. (Una solución de 25 % de detergente líquido lavatrastes y agua es efectiva para esto). Evitar rociar los componentes eléctricos.
2. Girar la perilla de modo hasta BAKE (HORNEAR) y la perilla de temperatura del horno hasta cualquier programación, mientras se bloquea con el dedo el orificio de la esprea para hornear.
  - Habrá una demora de, aproximadamente, 45 a 90 segundos, mientras el serpentín de la válvula de seguridad se calienta para liberar el accionador de la válvula. Normalmente se escucha un sonido similar a una pequeña explosión cuando se abre la válvula de seguridad del asador.
3. Monitorear la base de la unión de la esprea, del racor en codo y de la tuerca de compresión para ver si se forman burbujas en las áreas que rodean las conexiones.
  - Si se forman burbujas, existen fugas de gas.
4. Si se presentan fugas en el electrodoméstico, reparar todas las fugas de gas inmediatamente. No apretar excesivamente las uniones, las espreas o las tuercas, ni doblar los tubos de gas.
5. Si aplica, repetir el procedimiento para la esprea para hornear auxiliar.
6. Si se ha realizado satisfactoriamente la prueba de fugas del electrodoméstico, apagar los suministros de gas y electricidad. Volver a montar el soporte de montaje del quemador para hornear auxiliar, si aplica, y proceder a "Comprobar la llama y el rendimiento del quemador" .

# Comprobar la llama y el rendimiento del quemador

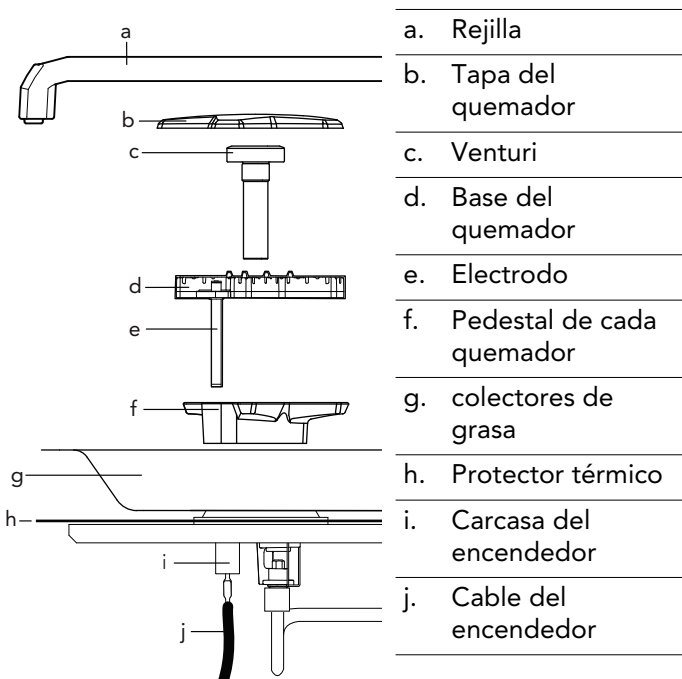
## Comprobar el rendimiento de los quemadores STAR®

### ⚠ ADVERTENCIA

Al cocinar con los quemadores STAR, debe ajustarse el tamaño de la llama del quemador para que no se extienda más allá del borde del utensilio de cocina. Esta instrucción obedece a consideraciones de seguridad.

Para observar las llamas de los quemadores, podría ser necesario apagar las luces o bajar las persianas para oscurecer la habitación y ver más fácilmente la llama.

Volver a ensamblar el electrodoméstico en el siguiente orden:

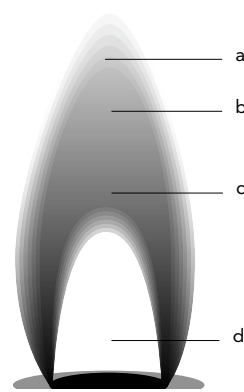


**SUGERENCIA:** Usar el venturi del quemador como guía de centrado al volver a montar los pedestales de los quemadores. Si los pedestales están centrados, el venturi se deslizará hacia adentro y hacia afuera con facilidad, después de que se haya asegurado el tornillo con cabeza Torx T-30. Si los pedestales no están centrados, aflojar el tornillo de montaje y volver a centrar el quemador, hasta que el venturi se deslice libremente.

### Para probar el encendido de los quemadores STAR®

- Empujar la perilla de control del quemador y girarlo hasta la posición «HI».
  - El electrodo del encendedor y el módulo de chispas producirán un chasquido. Una vez que se haya purgado el aire de las tuberías de alimentación, el quemador debería encenderse en menos de cuatro segundos.

- Las llamas deben ser estables y hacer poco ruido. Los conos interiores de cada llama deben estar bien definidos y separados uno de otro. La llama, alrededor del quemador, no debe tener partes excesivamente o continuamente «elevadas» o «vagas».

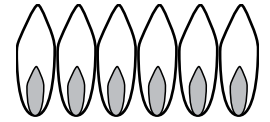


- |    |                 |
|----|-----------------|
| a. | Azul oscuro     |
| b. | Cono secundario |
| c. | Azul claro      |
| d. | Cono primario   |

**NOTA:** Es normal que las puntas de las llamas estén levemente amarillas después de unos minutos de funcionamiento con gas propano (LP). Los trazos naranjas en las llamas son producidos por la combustión de restos en el aire. Este fenómeno es normal durante los momentos que siguen el encendido y deberían disiparse después de unos minutos de funcionamiento.

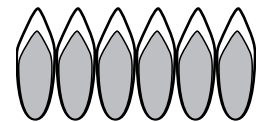
#### Llamas amarillas:

Se necesita un mayor ajuste.



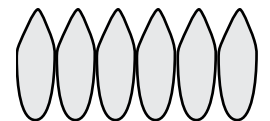
#### Puntas amarillas en la parte exterior:

Normal en gas LP



#### Llamas azul claro:

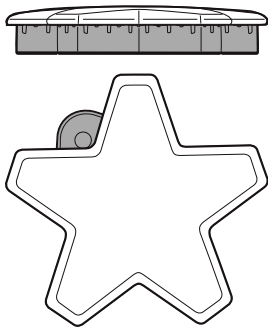
Normal en gas natural



- Ajustar la válvula de control del quemador a la posición LO para verificar si la llama sigue difundiéndose alrededor del quemador. Apagar la llama soplándola o moviendo una hoja o un trozo de cartón y luego observar la capacidad del quemador para encenderse de nuevo y propagar la llama en todo el quemador en pocos segundos. La propagación de la llama es esencial para que se encienda y vuelva a encender adecuadamente el quemador.
- Probar la reignición de XLO® y observar la propagación de la pequeñas llamas para hervir a fuego lento mientras el sistema XLO enciende y apaga los quemadores.
  - Si el rendimiento de la llama no es adecuado, podría ser necesario reajustar el tornillo de la

válvula de un quemador superior cuya propagación de la llama sea insuficiente. Girar muy ligeramente el tornillo de la válvula en el sentido contrario a las agujas del reloj hasta que la propagación de la llama sea aceptable. (Consultar "Ajustar los tornillos de las válvulas de los quemadores STAR®" en la página 64 ).

- Si la llama de un quemador es irregular, centellea, produce ruidos excesivos o se eleva, es posible que algunas de las ranuras de la base del quemador estén obstruidos por derrames de alimentos o por otros restos.
- Las ranuras bloqueadas se pueden limpiar con un clip desdoblado, una aguja o un objeto semejante. A veces, los alimentos y los restos incrustados y difíciles de limpiar se pueden quitar con una fibra de acero o un cepillo metálico.
- Se puede producir una llama «vaga», con largas llamas, porque la tapa de un quemador está mal colocada. Varias de las puntas de las llamas individuales tendrán tendencia a fusionarse o a confluír. Comprobar que la tapa del quemador esté correctamente colocada sobre la base del quemador. Cuando esté colocada correctamente, la tapa debería estar razonablemente plana sobre la base y no debería balancearse demasiado.



Tapa del quemador correcta



Tapa del quemador incorrecta

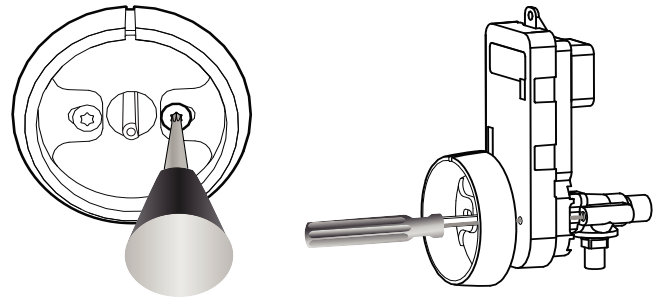
4. Repetir las pruebas de la llama y del encendido de cada quemador de la parrilla de gas.

## Ajustar los tornillos de las válvulas de los quemadores STAR®

Se usa un desarmador plano con una punta de 2.5 mm de ancho (incluido) para ajustar los tornillos de la válvula.

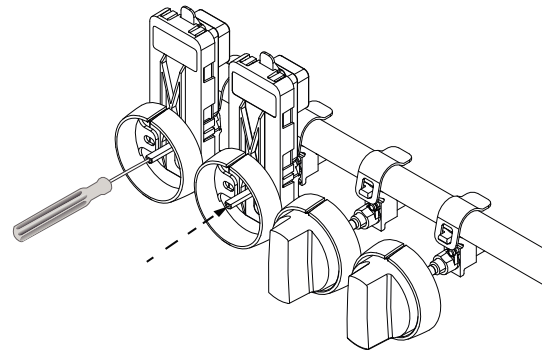
### Ajustar los tornillos de las válvulas de los quemadores STAR

1. Rote la perilla en el sentido contrario a las agujas del reloj.
  - Quemadores estándar: Girar el mando por completo hasta que no pueda girarse más.
  - Quemadores XLO: Ponerlos a LOW (Bajo).
2. Retirar la perilla del vástago de la válvula jalándolo hacia el exterior, fuera del panel de control.
3. **Para configurar los tornillos de la válvula de la zona de cocción en todos los modelos salvo los de 8 zonas de cocción:**  
Retirar el tornillo de montaje con bisel ubicado a la derecha del vástago de la válvula con un desarmador Torx T-20. Insertar un desarmador en la esprea del tornillo de montaje con bisel. Acceder a los tornillos de la válvula a través del agujero de paso en el módulo de encendido por chispas.



### Para configurar los tornillos de la válvula de la zona de cocción en los modelos de 8 zonas de cocción:

Insertar el desarmador de punta plana en el orificio del vástago de la válvula.



4. Se debe sentir el enganche del desarmador y el tornillo de la válvula.

- Ajustar el tornillo de la válvula girándolo un 1/8 de vuelta. Girar el tornillo en el sentido de las agujas del reloj para reducir el tamaño de la llama para hervir a fuego lento. Girar el tornillo en el sentido contrario a las agujas del reloj para aumentar el tamaño de la llama para hervir a fuego lento. Ajustar el tornillo de la válvula para obtener la potencia suficiente para hervir a fuego lento. Teniendo en cuenta las fluctuaciones normales de presión del gas, la estabilidad de la llama podría verse afectada si se aprieta demasiado el tornillo de la válvula.

### Comprobar el encendido y la llama de la esprea para asar (solo estufa de gas)

**NOTA:** La(s) puerta(s) del horno debe(n) estar instalada(s) y cerrada(s).

- Probar el encendido de gas para asar (solo estufas de gas). Girar la perilla de modo y de temperatura del horno hasta «BROIL» (Asar).
  - El encendedor de superficies calientes intentará encender el asador después de que transcurra un plazo de 45 a 90 segundos, cuando el serpentín de la válvula de seguridad se caliente para abrirse. Una vez que se haya purgado el aire de las tuberías de alimentación de gas, el asador debería encenderse en menos de cuatro (4) segundos.
  - Observar el rendimiento de la llama para asar a través de la ventana de la puerta del horno. Las placas de cerámica del quemador deberían iluminarse de un color rojo intenso (infrarrojo) después de estar funcionando durante unos minutos. Si una vez que hayan transcurrido unos minutos con el quemador encendido, el asador solo se ilumina levemente en rojo (y la llama que flota en la superficie del quemador es principalmente azul), comprobar que la esprea del asador esté alineada en el centro de la entrada del tubo del quemador.
- Si aplica, repetir el procedimiento para el horno auxiliar.
- Si el quemador para asar funciona de manera satisfactoria, volver a ensamblar la consola trasera en el electrodoméstico (consultar “Retirar el conjunto de la consola trasera” en la página 57 ).

### Comprobar el rendimiento del (de los) quemador(es) para hornear

- Instalar el panel frontal (consultar la página 17).
- Girar la perilla de modo hasta «HORNEAR» y la perilla de temperatura del horno hasta cualquier programación.
- El encendedor de superficies calientes intentará encender el tubo del quemador después de que transcurra un plazo de 45 a 90 segundos, cuando el serpentín de la válvula de seguridad se caliente para abrirse. Una vez que se haya purgado el aire de las

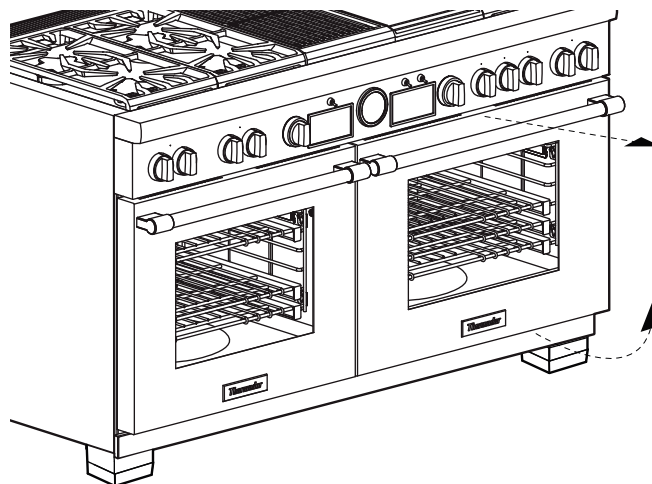
tuberías de alimentación de gas, el quemador debería encenderse en menos de cuatro (4) segundos.

- Observar la llama del quemador para hornear a través de las ranuras en la parte inferior del panel frontal. Prestar atención a la existencia de “puntas amarillas” considerables, teniendo en cuenta de que es normal que las puntas de las llamas estén levemente amarillas en los quemadores que funcionan con gas propano (LP), llamas elevadas o llamas vagas.
- Si aplica, repetir el procedimiento para el horno auxiliar.
- Si los quemadores para hornear tienen un rendimiento satisfactorio, volver a montar el rodapié (consultar 59 ).

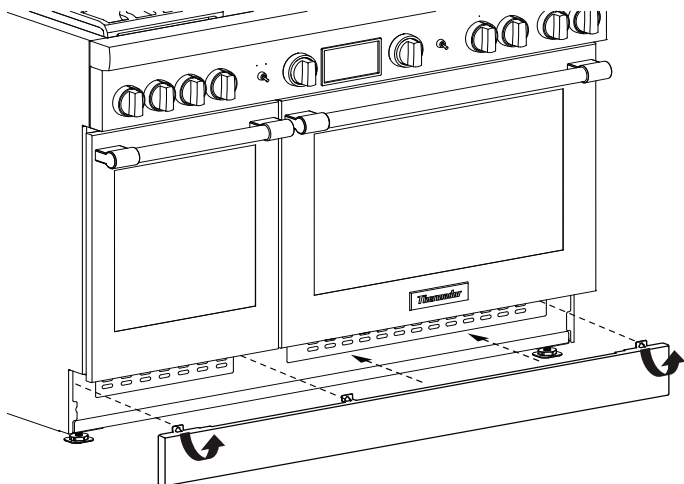
## Colocar la etiqueta de conversión

- Para una identificación y una prueba adecuadas de la conversión del electrodoméstico a gas propano (LP), poner la etiqueta de conversión proporcionada cerca de las etiquetas de clasificación del electrodoméstico.

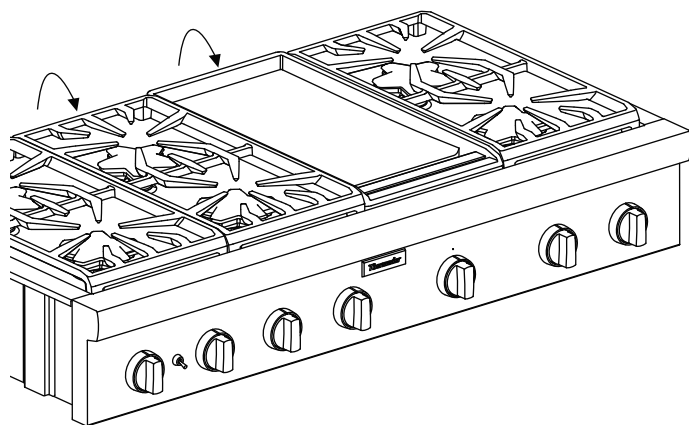
### Colocación de las etiquetas de conversión para Pro Grand



## Colocación de las etiquetas de conversión para Pro Harmony



## Colocación de las etiquetas de conversión para Pro Rangetop



2. Una vez que se haya colocado la etiqueta de conversión, usar un rotulador permanente para anotar la fecha, el nombre y la dirección de su organización de servicio en la etiqueta de conversión.
3. Revisar la "Lista de comprobación" en la página 49 para asegurarse de que se hayan completado todos los pasos.
4. Dejar este manual de instalación y todas las piezas retiradas al propietario del electrodoméstico para su uso futuro o para volver a convertir la unidad a gas natural.



## Support

Thank you for being a Thermador customer!

### USA:

Thermador is dedicated to supporting you and your appliance so you have many years of creative cooking. Please don't hesitate to contact us if you have any questions. We're happy to help you with cleaning and care instructions, cooking tips, accessories, troubleshooting, scheduling service visits, and more.

1-800-735-4328

[www.thermador.com/us/support/customer-care](http://www.thermador.com/us/support/customer-care)

### Canada:

1-800-735-4328

[www.thermador.ca/en/support/customer-care](http://www.thermador.ca/en/support/customer-care)

## Accessories and parts

### USA:

Filters, Thermador cleaners, teppanyaki pans, griddles, replacement parts, and more can be purchased in our online accessories store.

[www.thermador.com/us/accessories](http://www.thermador.com/us/accessories)

### Canada:

Visit the webpage below to learn how to purchase filters, cleaners, accessories and parts.

[www.thermador.ca/en/support/filters-cleaners-accessories](http://www.thermador.ca/en/support/filters-cleaners-accessories)

## Soutien

Merci d'être un client Thermador!

### É.-U. :

Thermador s'engage à offrir tout le tout le support dont vous et votre appareil avez besoin afin que vous puissiez en profiter pleinement. N'hésitez pas à communiquer avec nous pour toute question. Nous serons heureux de vous aider avec des directives concernant le nettoyage et les soins, des conseils de cuisson, des accessoires, le dépannage et plus encore.

1-800-735-4328

[www.thermador.com/us/support/customer-care](http://www.thermador.com/us/support/customer-care)

### Canada :

1-800-735-4328

[www.thermador.ca/fr/support/customer-care](http://www.thermador.ca/fr/support/customer-care)

## Accessoires et pièces

### É.-U. :

Filtres, nettoyeurs, accessoires et pièces :

[www.thermador.com/us/accessories](http://www.thermador.com/us/accessories)

### Canada :

Les filtres, pièces et accessoires peuvent être achetés auprès de nos distributeurs.

[www.thermador.ca/fr/soutien/filtres-nettoyeurs-accessoires](http://www.thermador.ca/fr/soutien/filtres-nettoyeurs-accessoires)

## Soporte

¡Gracias por ser un cliente Thermador!

### EEUU:

Thermador se dedica a apoyarlo a usted y a su aparato para que tenga muchos años para cocinar creativamente. No dude en contactarnos si tuviera preguntas. Nos encantará ayudarlo con las instrucciones de limpieza y cuidado, consejos para cocinar, accesorios, solución de problemas y más.

1-800-735-4328

[www.thermador.com/us/support/customer-care](http://www.thermador.com/us/support/customer-care)

### Canadá:

1-800-735-4328

[www.thermador.ca/en/support/filters-cleaners-accessories](http://www.thermador.ca/en/support/filters-cleaners-accessories)

## Accesorios y piezas

### EEUU:

Los filtros, limpiadores Thermador, sartenes de teppanyaki, planchas, piezas de refacción y más se pueden comprar en nuestra tienda de accesorios en línea.

[www.thermador.com/us/accessories](http://www.thermador.com/us/accessories)

### Canadá:

Los filtros, piezas y accesorios se pueden comprar a través de nuestros distribuidores.

[www.thermador.ca/en/support/filters-cleaners-accessories](http://www.thermador.ca/en/support/filters-cleaners-accessories)



1901 MAIN STREET, SUITE 600, IRVINE, CA 92614 // 800-735-4328 // WWW.THERMADOR.COM

© 2022 BSH Home Appliances Corporation

8001261739